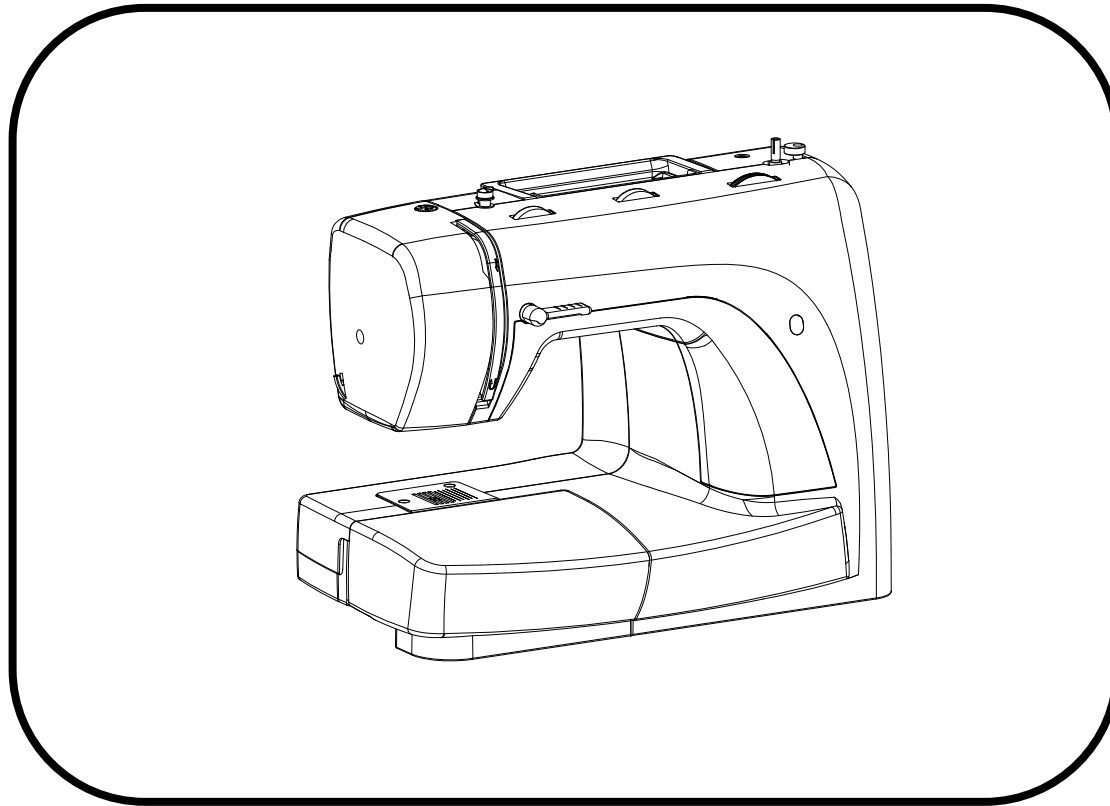


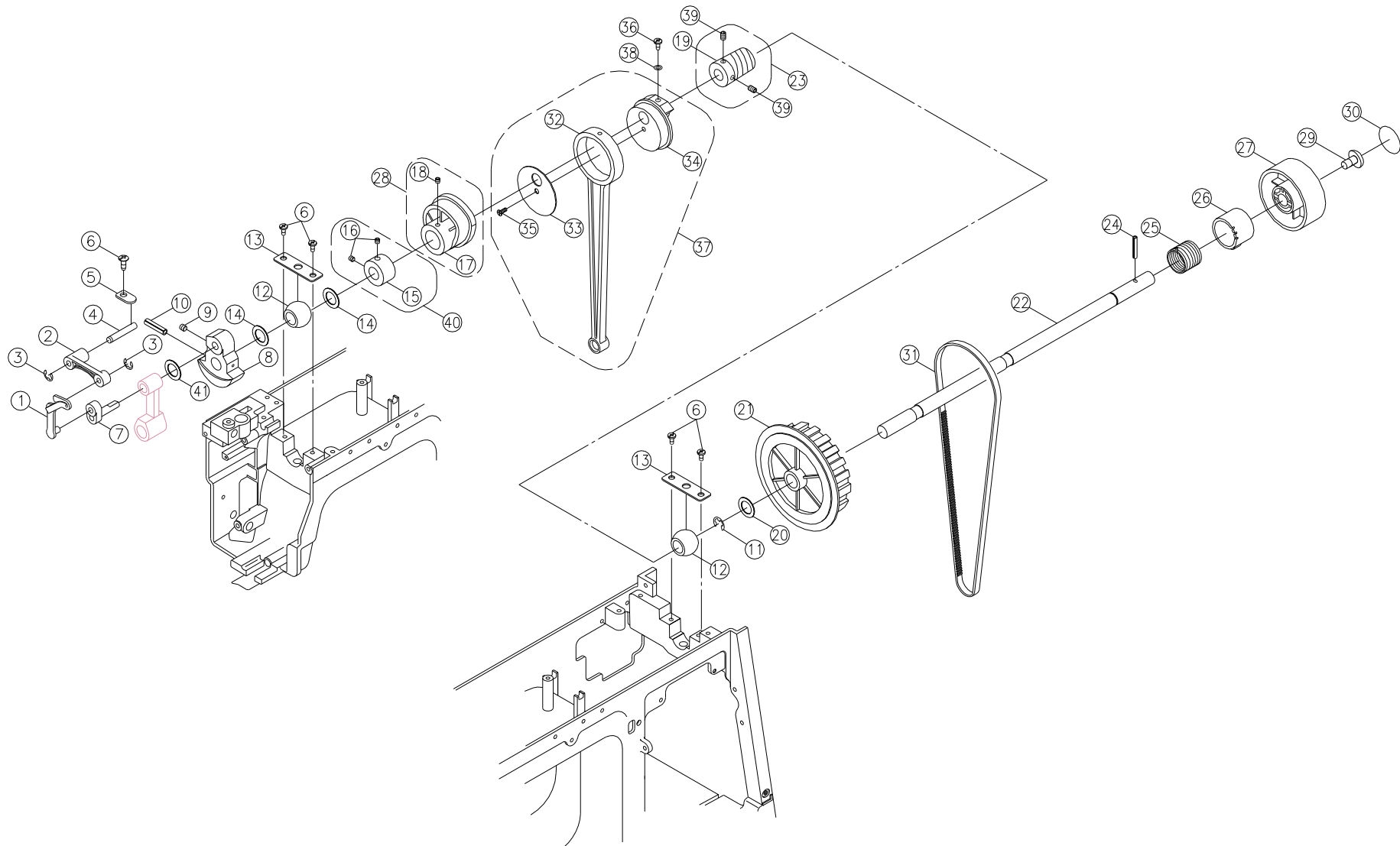
# Parts list



**Model 9XXCB4**

# ~ List of contents ~

A. Arm shaft .....	1
B. Pattern cam contact .....	3
C. Pattern cam contact .....	5
D. Clutch rod, Free arm foot bush, Reverse lever.....	7
E. Needle bar supporter .....	9
F. Motor & Lamp holder .....	11
G. Lower shaft, Shuttle hook .....	13
H. Feed regulating, Fork rod, Feed rock shaft, Feed lifting rock crank .....	15
I. Dial tension, Bobbin winder, Front cover, Back cover, Face plate, Sewing table.....	17
J. Accessories .....	20

**A. Arm shaft****A**

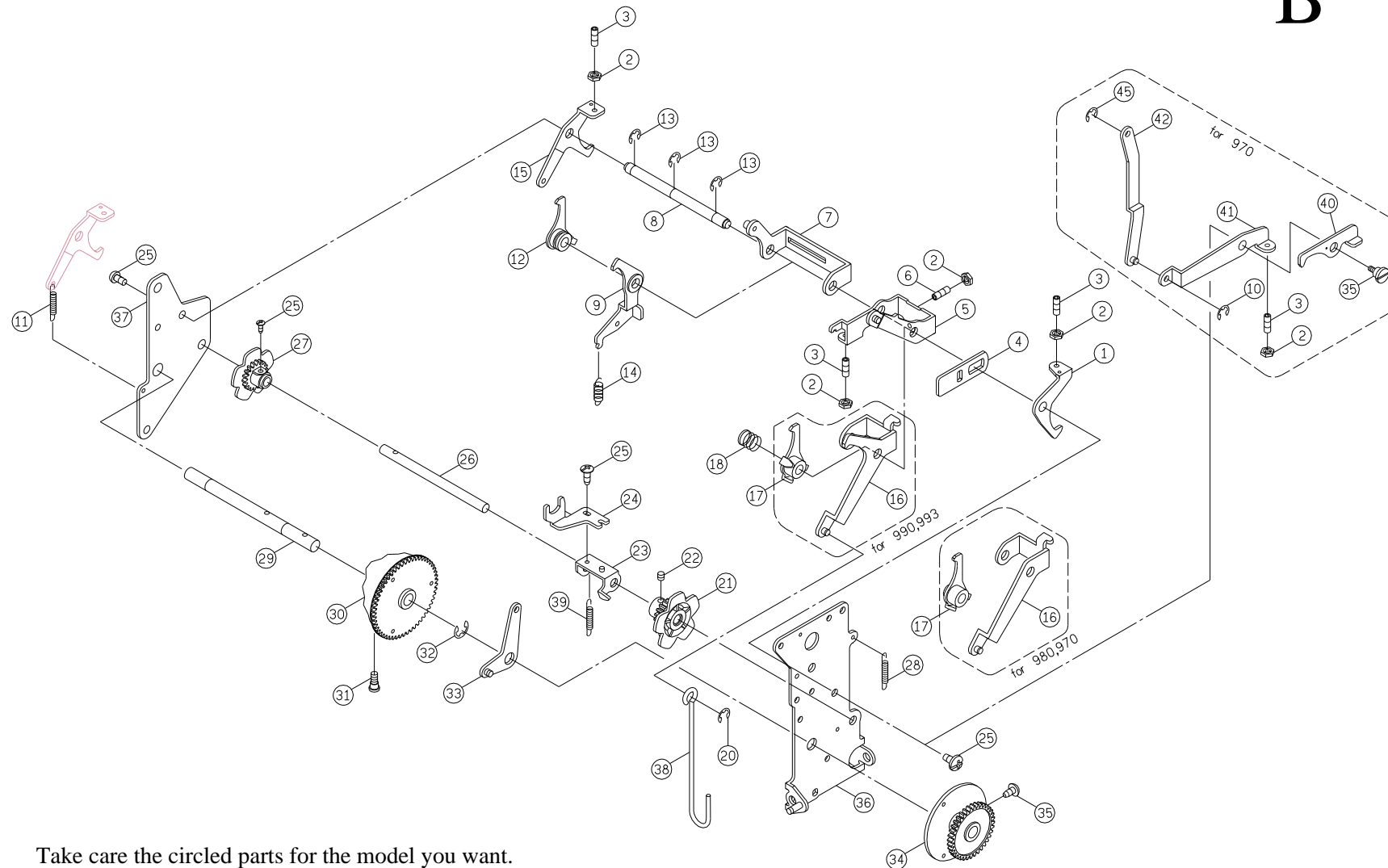
## A. Arm shaft

No.	Part No.	Description	Remark
1	E1A2513001	Thread take up lever	
2	V10523000	Thread take up lever supporter	
3	003010043	E-Ring ( ETW-4 )	
4	V60223003	Thread take up lever supporter shaft	
5	H13093003	Set washer	
6	004240106	Set screw ( M4×8 A )	
7	V10543000	Arm shaft balance pin	
8	V61473000	Arm shaft balance	
9	004240223	Set screw ( M4×6C )	
10	003043524	Arm shaft balance pin ( $\phi$ 3.5×24 )	
11	003010093	E-Ring ( ETW-9 )	
12	R10293000	Arm shaft bushing	
13	V60113003	Arm shaft bushing holder plate	
14	004400080	Endure attrition washer	
15	R10313000	Arm shaft collar	
16	004250203	Set screw ( M5×5C )	
17	G4A0533000	Feed cam	
18	004240503	Set screw ( M 4×4C )	
19	E1A1573000	Arm shaft worm	
20	004300853	Washer ( 10.2×15×0.5 )	
21	E4A0143210	Arm shaft drive belt pulley	
22	G4A0523000	Arm shaft	
23	E1A1575000	Arm shaft worm complete	
24	003043018	Spring pin ( $\phi$ 3×18 )	
25	R10393000	Arm shaft clutch annulus spring	
26	R10403000	Arm shaft collar	
27	E4G0473209	Hand wheel	
28	G4A0535000	Feed cam complete	
29	0042500016	Set screw ( M5×10 )	
30	V16883209	Hand wheel decorated plate	
31	007163XXL5	Motor drive belt(163XXL)	
32	G4A0513000	Crank connecting rod	

No.	Part No.	Description	Remark
33	V60073003	Crank connecting cover	
34	V60053000	Crank connecting rod cam	
35	004240056	Set screw (M4×6B)	
36	004107063	Set screw (11/64×40 L=12)	
37	G4A0514000	Crank connecting rod complete	
38	004600026	Spring washer	
39	004107283	Set screw (11/64×40*5 C)	
40	R10304000	Arm shaft collar complete	
41	0044000020	Endure attrition washer	

## B. Pattern cam contact

# B



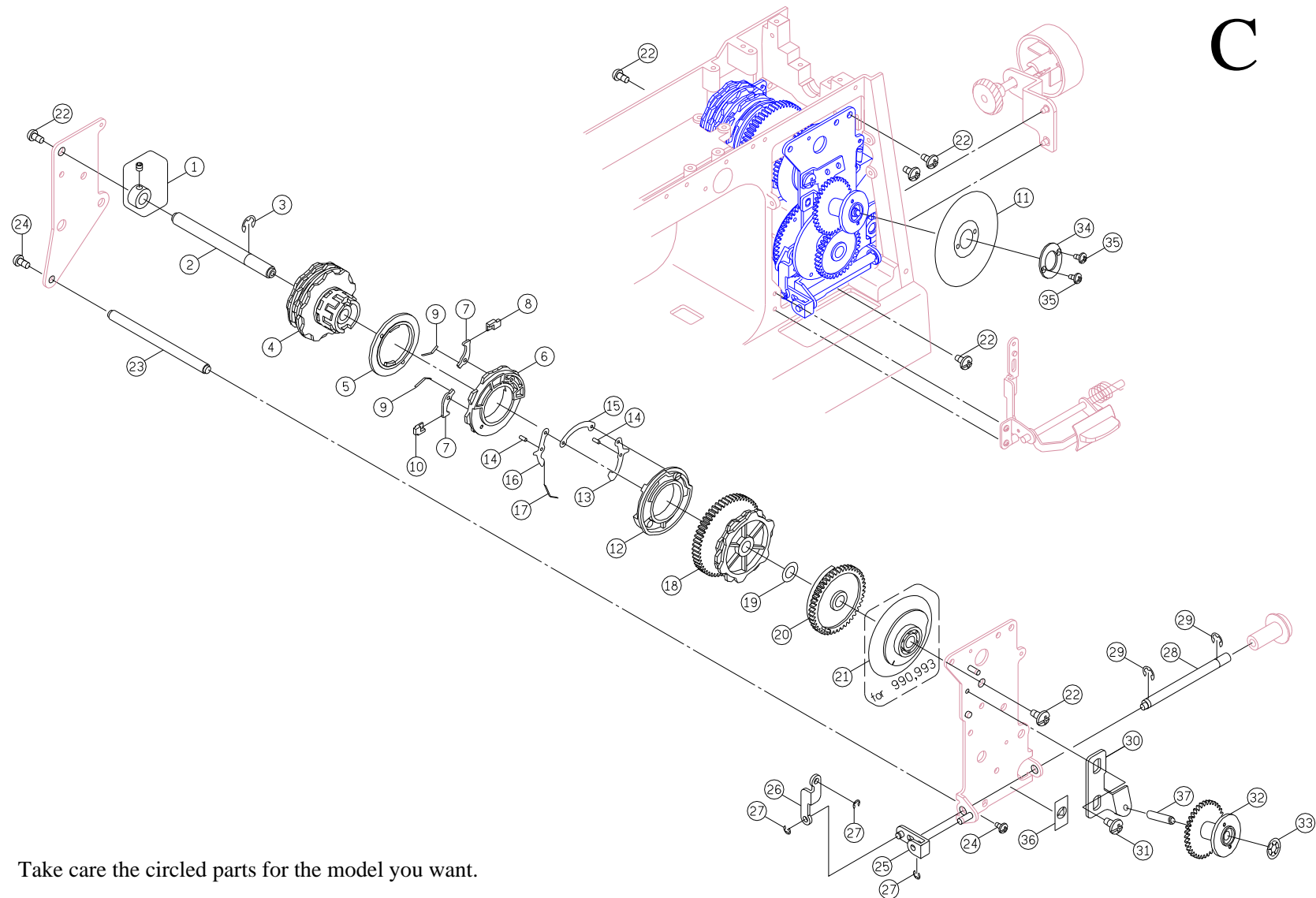
Take care the circled parts for the model you want.

## B. Pattern cam contact

No.	Part No.	Description	Remark
1	E1A0993003	Stretch stitch release plate	
2	004840106	Set screw (ALN-4)	
3	004241093	Set screw (M4×0.7 L = 9)	
4	E1A0983003	BH adjusting plate	
5	EAA0093003	BH adjusting crank	
6	004240633	Set screw (M4×0.7 L = 12)	
7	G4A0743003	Zigzag cam contact supporter	
8	F4A3043000	Zigzag cam contact supporter shaft	
9	E4A0033003	BH Feed crank	
10	003010036	E-Ring ( ETW-3 )	
11	J31383003	Spring	
12		Zigzag cam contact	
	E1A0873003	Zigzag cam contact	
13	003010056	E-Ring (ETW-5)	
14	E1A0973003	BH Feed crank spring	
15	G4A0753003	Zigzag release plate	
16		SS cam contact supporter	
	G3A0023003	SS cam contact supporter	
17		SS cam contact supporter	
	E1A0923003	SS cam contact	
18	E1A0903003	SS cam contact spring	
19	004240106	Set screw (M4×8 A)	
20	003010046	E-Ring (ETW-4)	
21		Stretch stitch release	
	F4A3103000	Stretch stitch release	
		Stretch stitch release	
22	004240503	Set screw (M4×4 C)	
23	E1A1073006	Zigzag movement contact	
24	E1A1083003	Movement plate	
25	004230016	Set screw (M3×6 A)	
26	F4A3093000	Pattern selector cam shaft	
27	E1A1053000	Zigzag cam	

No.	Part No.	Description	Remark
27		Zigzag cam	
28	H70553003	Spring	
29	F4A3073003	Pattern selector cam shaft	
		Pattern selector cam shaft	
30	E2A0023000	Pattern selector cam	
		Pattern selector cam	
		Pattern selector cam	
		Pattern selector cam	
31	004240423	Set screw (M4)	
32	003010063	E-Ring (ETW-6)	
33	E1A1033003	Pattern selector adjusting lever	
34		Zigzag selector cam	
	E2A0033000	Zigzag selector cam	
35	004230613	Set screw	
36	E1A0653003	Pattern cam contact plate (front)	
		Pattern cam contact plate (front)	
37	G4A0733003	Pattern cam contact plate (back)	
38	G4A1183003	Feed rock shaft	
39	M70093000	Auto threaded lever spring	
40	E1A1153003	Zigzag width selector plate(975A)	
41	FCA0033003	Zigzag width crank(975A)	
42	G2A0053003	Zigzag width crank rod(975A)	
#	G2D0194000	Pattern cam contact complete	

## C. Pattern cam contact



Take care the circled parts for the model you want.

## C. Pattern cam contact

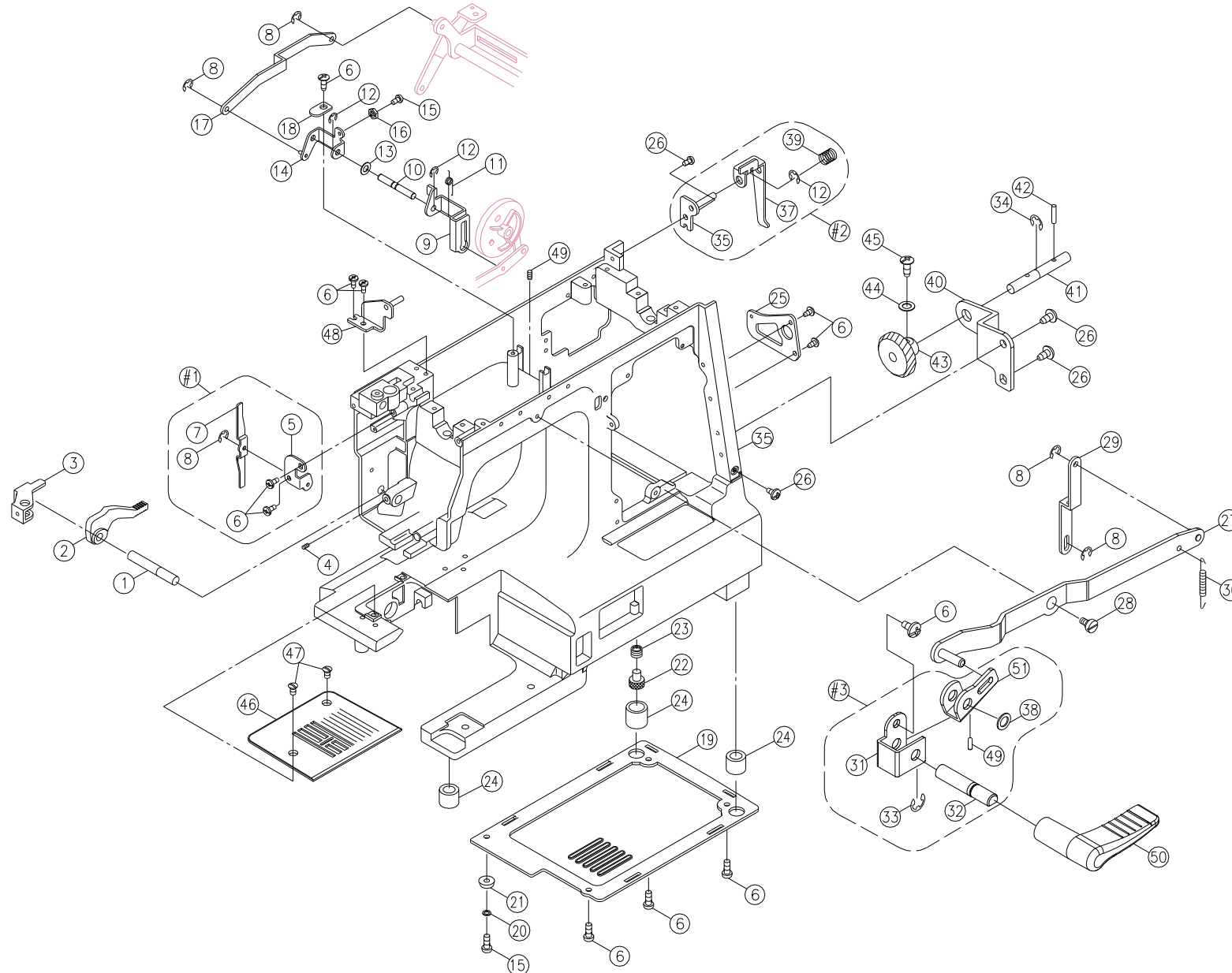
No.	Part No.	Description	Remark
1	G2D0335000	Pattern cam shaft collar complete	
2	F4A3023003	Pattern cam shaft	
3	003010063	E-Ring (ETW-6)	
4	E1A0713000	Pattern cam	
		Pattern cam	
		Pattern cam	
		Pattern cam	
5	E1A0833000	Straight stitch cam	
6	E1A0783000	BH cam	
7	E1A0793002	BH contact	
8	E1A0813000	BH slide block B	
9	E1A0823003	BH contact spring plate	
10	E1A0803000	BH slide block A	
11	G2DD003209	Pattern selector plate	
12	E1A0723000	BH feed regulator cam	
13	E1A0743002	BH clutch contact A	
14	E1A0733000	BH clutch shaft	
15	E1A0763002	BH clutch lever	
16	E1A0753002	BH clutch contact B	
17	E1A0773003	BH clutch spring plate	
18		SS cam	
	E1A0703000	SS cam	
19	004300863	Washer (8.2×14×0.5)	
20		Feed regulator cam	
	E1A0693000	Feed regulator cam	
21		Stretch stitch selector cam	
22	004240106	Set screw (M4×8 A)	
23	F4A3063003	Pattern cam contact supporter shaft	
24	004230016	Set screw (M3×6 A)	
25	E1A1123003	BH adjusting hook holder	
26	E1A1133003	BH adjusting rod	
27	003010036	E-Ring (ETW-3)	

No.	Part No.	Description	Remark
28	E1A1113000	Adjusting shaft	
29	003010043	E-Ring (ETW-4)	
30	G2D0233003	Pattern gear plate complete	
31	004240056	Set screw (M4×6 B)	
32	G2D0273000	Pattern gear	
33	003020043	CS ring (CSTW-4)	
34	E1A1213006	Pattern selector plate	
35	004220106	Set screw (M2×10)	
36	0030700013	Set Nut	
37	G2D0283003	Pattern gear shaft	



## D. Clutch rod, Free arm foot bush, Reverse lever

# D



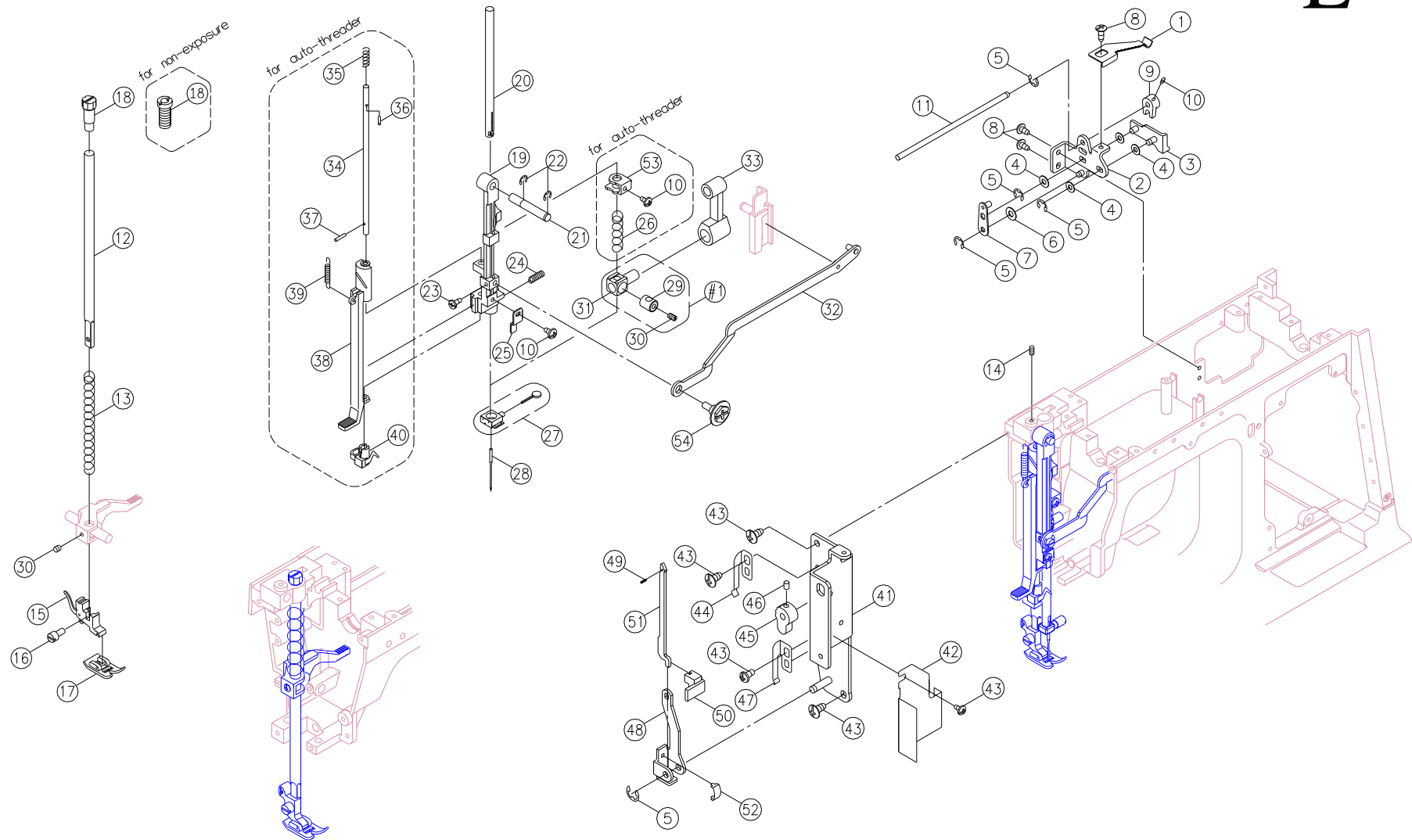
## D. Clutch rod, Free arm foot bush, Reverse lever

No.	Part No.	Description	Remark
1	F4A0053003	Presser bar lifter lever shaft	
2	F4A0043000	Presser bar lifter lever	
3	F4A0063003	Presser bar bracket	
4	004240943	Set screw (M4x8C)	
5	G4A0673003	Tension frame	
6	004240106	Set screw (M4x8A)	
7	G4A0663003	Tension lever lifter	
8	003010036	E-Ring ( ETW-3 )	
9	G4A0763003	Zigzag width regulating cam	
10	G4A0793003	Zigzag width regulating cam shaft	
11	V61033003	Zigzag width spring	
12	003010053	E-Ring ( ETW-5 )	
13	004300113	Washer ( 6.7×14×0.8 )	
14	G4A0773003	Zigzag regulator crank	
15	004240046	Set screw ( M4×10 B )	
16	004840106	Set Nut ( ALN-4 )	
17	G4A0783003	Rod	
18	H13093003	Set washer	
19	G2D0133209	Plate	
20	004300202	Washer (4.5×10×0.8)	
21	J31413000	Free arm base cushion rubber	
22	K82133006	Base plate adjustment screw	
23	K82073003	Base plate adjustment screw spring	
24	H70043000	Free arm base cushion rubber	
25	E1A1723003	Motor drive belt cover frame	
26	004240056	Set screw ( M4×6 B )	
27	G2D0203006	Reverse lever	
28	004240883	Reverse lever set screw	
29	E1A1553003	Reverse rod	
30	M70093000	Auto threaded lever spring	
31	V880273006	Reverse knob shaft mounting plate	
32	V880253006	Reverse knob shaft	

No.	Part No.	Description	Remark
33	003011052	E-Ring ( ETW-5 )	
34	003010056	E-Ring ( ETW-5 )	
35	G2D0243000	Arm	
36	V61213003	Clutch rod plate	
37	V61233003	Clutch rod	
38	004400260	Washer(6.2×14×0.13)	
39	V61243003	Clutch rod spring	
40	F4A3303003	Selector dial plate	
41	E1A1243006	Selector dial shaft	
42	003042512	Spring pin (ø2.5×6)	
43	F4A3113000	Selector gear	
44	004300676	Washer ( 3.2*8*0.8 )	
45	004230286	Set screw ( M3×8 B )	
46	G4A0543004	Needle plate	
47	004240851	Set screw ( M4×6 )	
48	G4A1513006	Arm top cover plate complete	
49	004240223	Set screw (M4×6C)	
50	G2D0123209	Reverse button	
51	V880263006	Reverse connecting plate	
#1	G4A0665000	Tension lever lifter plate	
#2	V61205003	Clutch rod complete	
#3	V880254000	Reverse knob shaft complete	

## E. Needle bar supporter

E



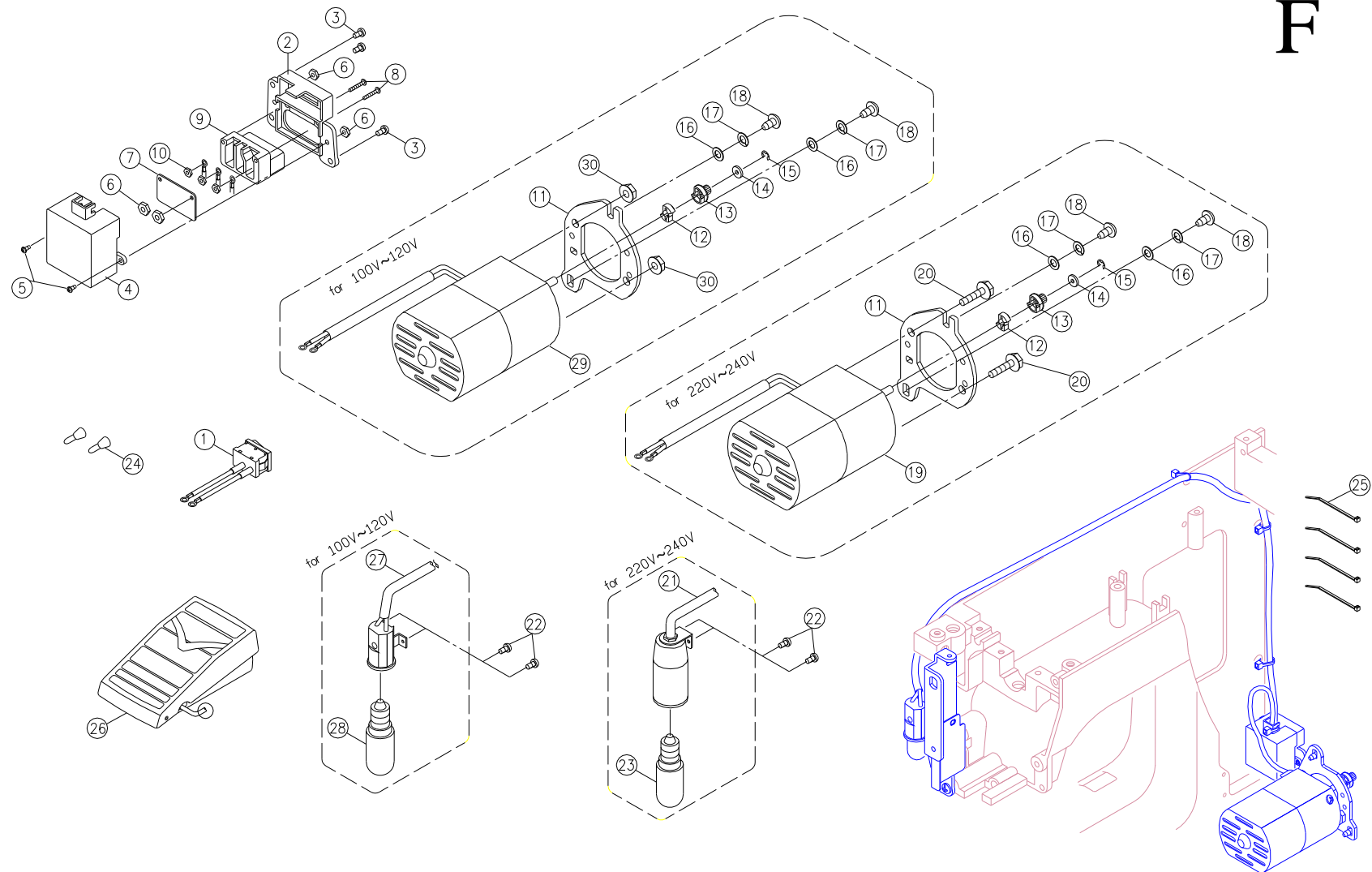
## E. Needle bar supporter

No.	Part No.	Description	Remark
1	G4A0653003	BH cam plate	
2	G4A0583003	BH selector plate	
3	G4A0623003	BH slide plate	
4	004300076	Washer ( 4.2×9×0.5 )	
5	003010036	E-Ring ( ETW-3 )	
6	004300693	Washer ( 4.2×12×1.2 )	
7	G4A0603003	BH selector plate	
8	004240106	Set screw ( M4×8A )	
9	E1A1423000	BH select crank	
10	004230016	Set screw ( M3×6 A )	
11	G4A0573003	BH select crank shaft	
12	E1A0143002	Presser bar	
13	E1A2493003	Presser bar spring	
14	004240033	Set screw(M4*5 C)	
15	006187008	Shank complete	
16	004106221	Shank complete set screw(9/64*40*7)	
		Shank complete set screw(9/64*40*9.5)	
		Shank complete set screw(9/64*40*7.5)	
		Shank complete set screw(9/64*40*9 B)	
17	006806008	Zip zap presser foot complete	
18	V620163209	Presser bar regulating screw (For exposure)	
		Presser bar regulating screw (For non-exposure)	
19		Needle bar supporter	
	G4A0453000	Needle bar supporter (for auto threaded)	
20	G4A0463000	Needle bar	
21		Needle bar supporter pin	
	R12723003	Needle bar supporter pin (Auto)	
22	003010056	E-Ring ( ETW-5 )	
23	004106202	Set screw ( 9/64×40×7 )	
24	H50583003	Needle bat supporter spring	
25	G4A0483003	Needle bar stopper plate	
26	H10723003	Tension lever lifter spring	

No.	Part No.	Description	Remark
27	TA11034000	Needle clamp complete	
28	006176008	Needle	
29	H10263000	Needle bar bracket (2)	
30	004240503	Set screw (M4x4 C)	
31	H10253000	Needle bar bracket (1)	
32	V60175003	Needle bar driving rod complete	
		Needle bar driving rod complete	
33	F4A3343000	Needle bar crank rod	
34	E1A0113000	Auto threaded shaft	
35	R12793003	Auto threaded shaft spring	
36	003042014	Auto threaded shaft pin (φ2×14)	
37	003042006	Auto threaded shaft pin (φ2×6)	
38	E1A0123000	Auto threaded lever	
39	M70093000	Auto threaded lever spring	
40	E1A2125000	Auto threaded	
41	G4A0553006	BH lever plate	
42	E1A2373000	Shield	
43	004240056	Set screw ( M4×6 B )	
44	E1A1533003	BH positioned plate	
45	E1A1513000	BH movement crank	
46	004230433	Set screw (M3×3 C)	
47	E1A1523003	BH positioned plate	
48	E1A1473003	BH lever crank	
49	003041605	Spring pin (ø1.6×5)	
50	E4A6003209	BH lever button	
51	G4A0563002	BH lever	
52	E1A1483003	BH lever spring plate	
53	M70073002	Auto threaded stopper	
54	V6E0413000	Needle bar driving rod pin	
#1	H10195000	Needle bar bracket complete	

## F. Motor & Lamp holder

# F



All voltage application & spec. ,please check next page.

## F. Motor &amp; Lamp holder

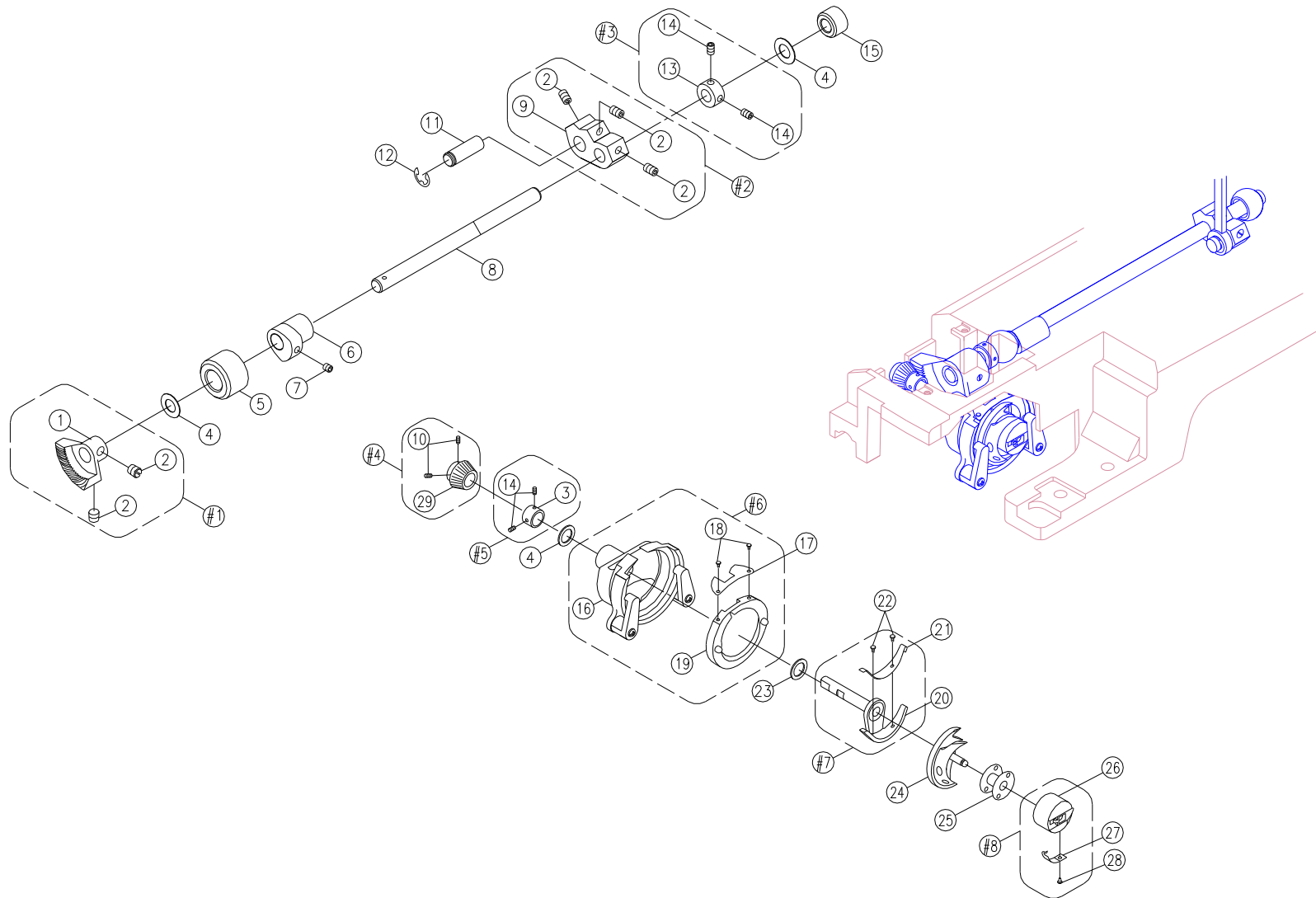
No.	Part No.	Description	Remark
1	002425118	Switch ass'y	
2	002252129	Receptacle holder	
3	004240106	Set screw (M4×8 A)	
4	E1A1973209	Receptacle holder cover	
5	004230286	Set screw (M3*8 B)	
6	004830016	Nut (M3 t=2.3)	
7	002621129	Concert insulation plate	
8	004230865	Set screw (M3*20)	
9	002624129	Receptacle	
10	004840120	Nut (M3*4)	
11	002504025	Motor bracket	
12	008059302	Cushion rubber	
13	002396029	Belt wheel	
14	002145029	Motor feed regulator collar	
15	003010036	E-Ring (ETW-3)	
16	004300306	Washer (5.4*10*0.9)	
17	004600296	Spring washer (5.2*9*1)	
18	004250086	Set screw (M5*12)	
19	001164209	Motor complete (for 230V) HF(S)-07250	E.U.
		Motor complete (for 240V)	U.K.
		Motor complete (for 220V)	Korea
20	004241428	Set screw (M4*10.2)(for 220~240V)	
21	002424118	Lamp holder complete ( for 220V-240V)	E.U.
22	004230056	Set screw ( M3×5B )	
23	005240011	Lamp (for 240V 15W )	
24	AA0463000	End termed	
25	002027129	Cord clip	
26	001165209	Foot controller (KD-2902) 230V	E.U.
		Foot controller (KD-1902) 120V	U.S.A
		Foot controller (KD-2902) 240V	U.K.
		Foot controller (KD-2902) 230V	Argentina
		Foot controller (KD-2902) 230V	CHINA

No.	Part No.	Description	Remark
27	002148118	Lamp holder complete (only for 120V)	電線組(歐洲向)機械式
28	005240011	Lamp (for 240V 15W)	燈泡
29		Motor complete (for 120V) HF-07150	U.S.A
		Motor complete (for 110V) HF-07150	TAIWAN
	001164209	Motor complete (for 230V) HF-07250	E.U.
30		Nut (M4*5.5) (for 100~120V)	
	004241428	Screw(M4*10)	

## G. Lower shaft, Shuttle hook

SINGER

G



## G. Lower shaft, Shuttle hook

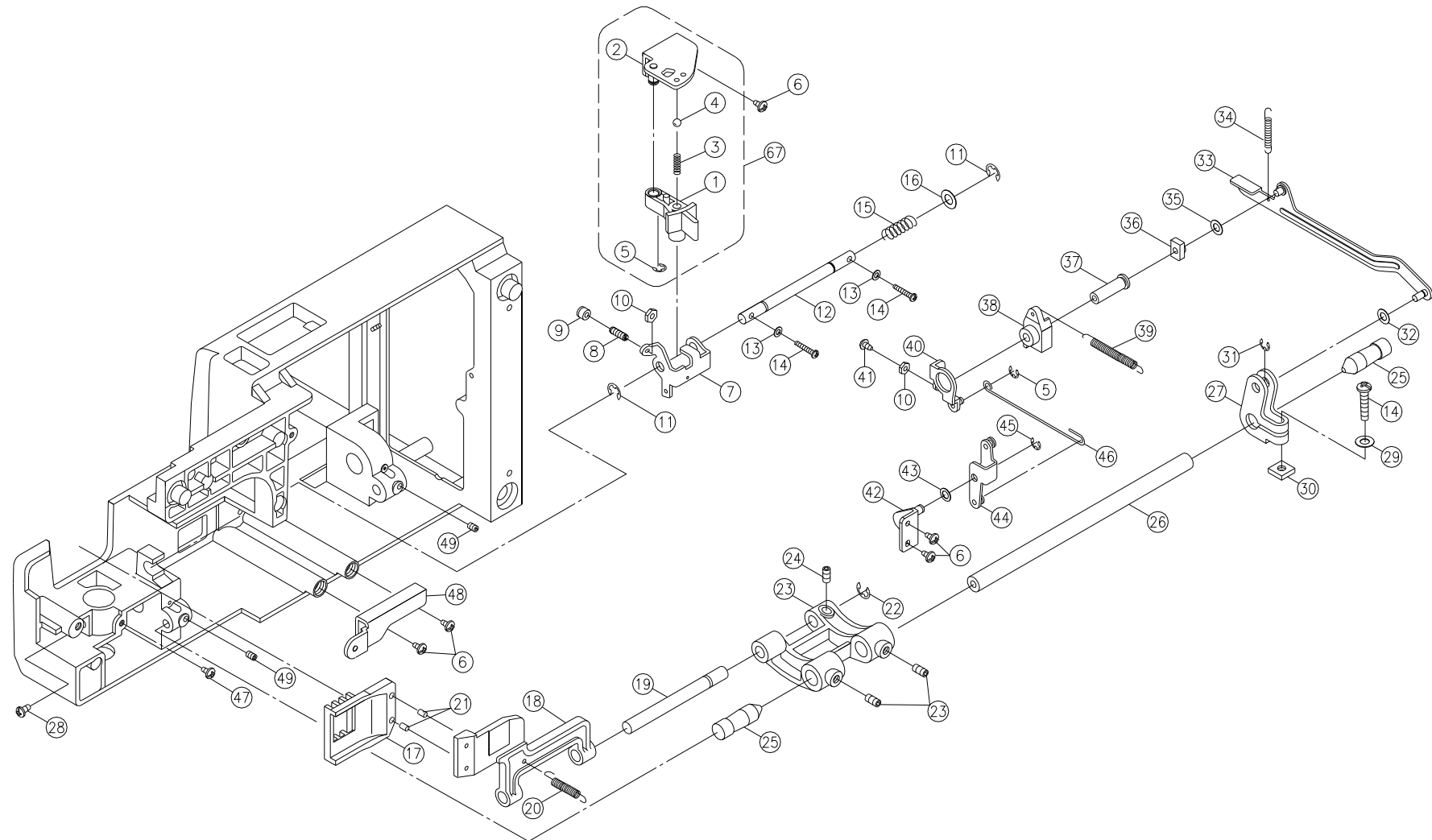
No.	Part No.	Description	Remark
1	G4A1573000	Lower shaft gear	
2	004250203	Set screw (M5*5C)	
3	G2D0323003	Shuttle driver shaft collar	
4	004400210	Endure attrition washer (8.2×16×0.5)	
5	R1A0463000	Lower shaft bushing	
6	G4A1253000	Feed lifting rock cam	
7	004240033	Set screw (M4×5C)	
8	G4A0083000	Lower shaft	
9	V60363000	Crank connecting rod crank	
10	004107293	Set screw (11/64×40×4C)	
11	V10833003	Crank connecting rod crank pin	
12	003010053	E-Ring (ETW-5)	
13	G2D0313003	Lower shaft collar	
14	004240503	Set screw (M4×4C)	
15	R1A0463000	Lower shaft bushing	
16	V11003002	Open shuttle race	
17	V11583002	Shuttle hook holder spring	
18	H71093003	Shuttle hook holder spring screw	
19	V11573001	Shuttle hook holder	
20	K81123002	Shuttle driver	
21	K81143003	Shuttle driver spring	
22	004103043	Shuttle driver spring screw	
23	004400800	Endure bar washer (7.6×12×0.13)	
24	V62043000	Shuttle hook (4.6mm)	
25	006084009	Bobbin	
26	H71186001	Bobbin case	
27	H13803001	Bobbin case spring	
28	H13973002	Bobbin case spring set screw	
29	G4A1583000	Shuttle driver shaft gear	
#1	G4A1574000	Lower shaft gear complete	
#2	V60354000	Crank connecting rod crank complete	
#3	G2D0314000	Lower shaft collar complete	

No.	Part No.	Description	Remark
#4	G4A1584000	Shuttle driver shaft gear complete	
#5	G2D0325000	Shuttle driver shaft collar complete	
#6	V10995000	Open shuttle race complete	
#7	K81125000	Shuttle driver complete	
#8	H71185000	Bobbin case complete	



## H. Feed regulating, Fork rod, Feed rock shaft, Feed lifting rock crank

# H

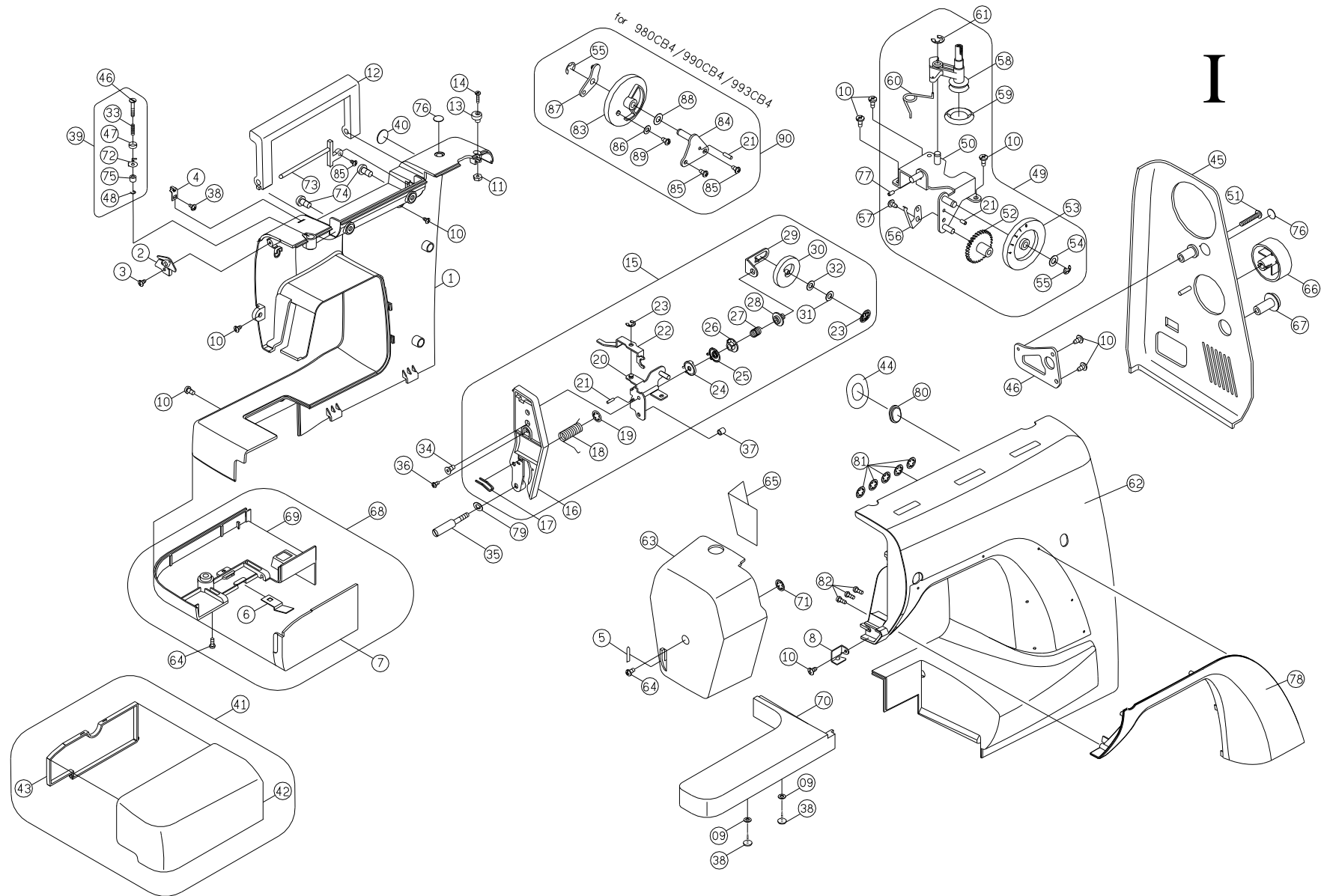


## H. Feed regulating, Fork rod, Feed rock shaft, Feed lifting rock crank

No.	Part No.	Description	Remark
1	G4A0313209	Feed dog lifting rod	
2	G4A1003003	Feed lifting shaft crank	
3	H10483003	Presser bar regulating spring	
4	H12883000	Steel ball	
5	003010046	E-Ring ( ETW-4 )	
6	004240106	Set screw ( M4×8 A )	
7	G4A1263582	Feed rock crank	
8	004250323	Set screw ( M4×7 )	
9	K81243000	Set screw knob	
10	004840106	Adjusting nut ( ALN-4 )	
11	003010073	E-Ring (ETW-7)	
12	G4A1023003	Feed rock shaft	
13	004300136	Washer (4.2×8×0.8)	
14	004240146	Set screw ( M4×15 B )	
15	K81263003	Feed lifting rock shaft spring	
16	004300226	E-Ring (8.2×16×1)	
17	H70523002	Feed dog	
18	G4A1133001	Feed dog frame	
19	H70513003	Feed dog shaft	
20	K81393003	Feed dog frame spring	
21	004104012	Set screw (1/8×44 L=5)	
22	003010053	E-Ring (ETW-5)	
23	G4A1113000	Feed rock frame	
24	004240223	Set screw ( M4×6C )	
25	H70883000	Center bar	
26	G4A1103003	Feed rock shaft	
27	G4A1143008	Feed rock crank	
28	004240066	Set screw (M4×8 B)	
29	004300093	Washer (4×8×0.5)	
30	004840073	Feed rock crank Nut (M4)	
31	003010036	E-Ring (ETW-3)	
32	004400450	Endure attrition washer(5.5×12×0.25)	

No.	Part No.	Description	Remark
33	G4A1243003	Fork rod	
34	V60463003	Fork rod spring	
35	004400180	Washer (5.7×10.5×0.5)	
36	V11533000	Feed regulating block	
37	V60443000	Feed regulating shaft	
38	G4A1163000	Feed regulating	
39	V70063003	Feed regulating spring	
40	G4A1175003	Feed regulating plate complete	
41	004240046	Set screw (M4×10 B)	
42	G4A1223003	Fees rod frame complete	
43	004300186	Washer (6.2×12×0.5)	
44	G4A1203003	Feed rock rod complete (3)	
45	003011052	E-Ring (ETW-5)	
46	G4A1193003	Feed rock rod (2)	
47	004250151	Set screw (M5×10 B)	
48	G4A0973003	Foot hook holder	
49	004240033	Set screw (M4×5C)	
#1	G4A0314000	Feed dog lifting rod complete	

# I. Dial tension, Bobbin winder, Front cover, Back cover, Face plate, Sewing table



## I.Dial tension, Bobbin winder, Front cover, Back cover, Face plate, Sewing table

No.	Part No.	Description	中文名稱
1	G2D0043209	Back cover	
2	V610155000	Thread guide complete	
3	004230326	Set screw(M4×8)	
4	E1A2043001	Thread guide	
5	V630593000	Thread cutter	
6	R12453002	Hook cover spring	
7	G2D0063209	Hook cover	
8	F4A0643001	Arm top cover thread guide plate	
9	004300136	Washer (4.2*8*0.8)	
10	004240106	Set screw (M4×8 A)	
11	004706013	Nut (9/64×40 t=3)	
12	V880083209	Handle	
13	E1A2393000	Bobbin winder stopper	
14	004106371	Set screw ( 9/64×40×18 )	
15	G2D0084209	Dial tension complete	
16	G2D0083209	Dial tension supporter plate cover	
17	V61873001	Thread guide	
18	E1A2073000	Thread guide spring	
19	003020453	CS-ring (CSTW-4.5)	
20	V60243002	Dial tension supporter plate	
21	003043010	Spring pin (φ3×10×0.6)	
22	G4A1563003	Dial tension waft plate	
23	003010043	E-Ring (ETW-4)	
24	J30423001	Dial tension disc (1)	
25	E1A2333001	Dial tension disc	
26	R10593000	Dial tension spring regulator	
27	NB1083000	Dial tension spring	
28	K50193000	Dial tension regulator	
29	V60273006	Dial tension spring plate	
30	E1A2223209	Dial tension knob	
31	004300643	Washer (5.2×10×0.5)	
32	004500360	Washer (WW-5)	

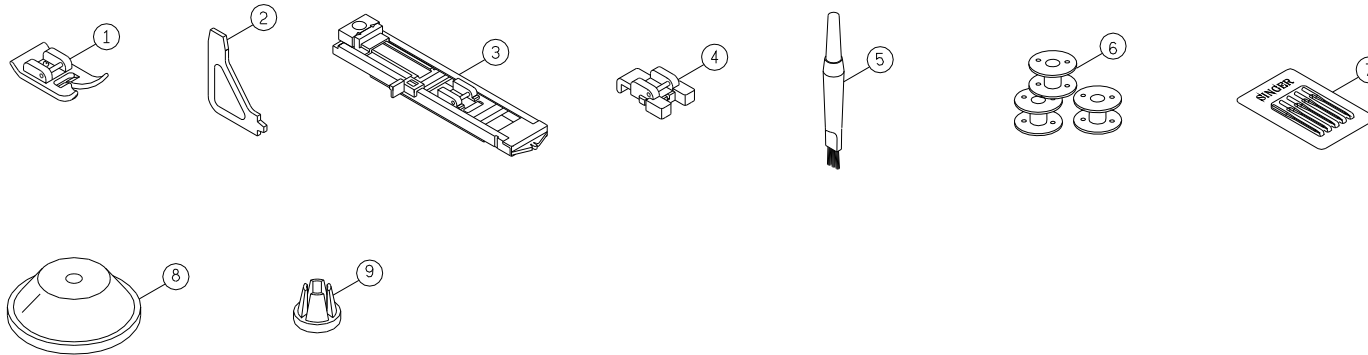
No.	Part No.	Description	中文名稱
33	H13153001	Bobbin winder thread guide spring	
34	004240176	Set screw (M4×6 D)	
35	004240982	Set screw ( M4 )	
36	004240146	Set screw (M4×15 B)	
37	H11103001	Dial tension guide spring tube	
38	004230216	Set screw (M3×8.5)	
39	V610195000	Bobbin winder thread guide complete	
40	G2D0223209	Plate	
41	G2D0104209	Sewing table complete	
42	G2D0103209	Sewing table body	
43	G2D0113209	Sewing table body cover	
44	G2D0183000	Plate	
45	G2D0073209	Motor drive belt cover	
46	V610213001	Bobbin winder thread guide adjusting	
47	H13133001	Bobbin winder spring disc	
48	003010036	E-Ring (ETW-3)	
49	GCAR014209	Bobbin winder frame complete	
50	G4A0935006	Bobbin winder frame	
51	004241106	Set screw ( M4×0.7 L25 A )	
52	V61183000	Feed regulator gear	
53	E1A1803209	Feed regulator dial	
54	004300186	Washer (6.2×12×0.5)	
55	003010046	E-Ring (ETW-4)	
56	EAA0203003	Feed regulator set plate	
57	004240676	Set screw (M4×5 B)	
58	V61165000	Bobbin winder crank complete	
59	F20213000	Bobbin winder rubber pulley	
60	V61563003	Bobbin winder crank spring	
61	003010053	E-Ring (ETW-5)	
62	G2D0013209	Front cover	
63	G2D0093209	Face plate	
64	004241061	Set screw (M4×12A)	



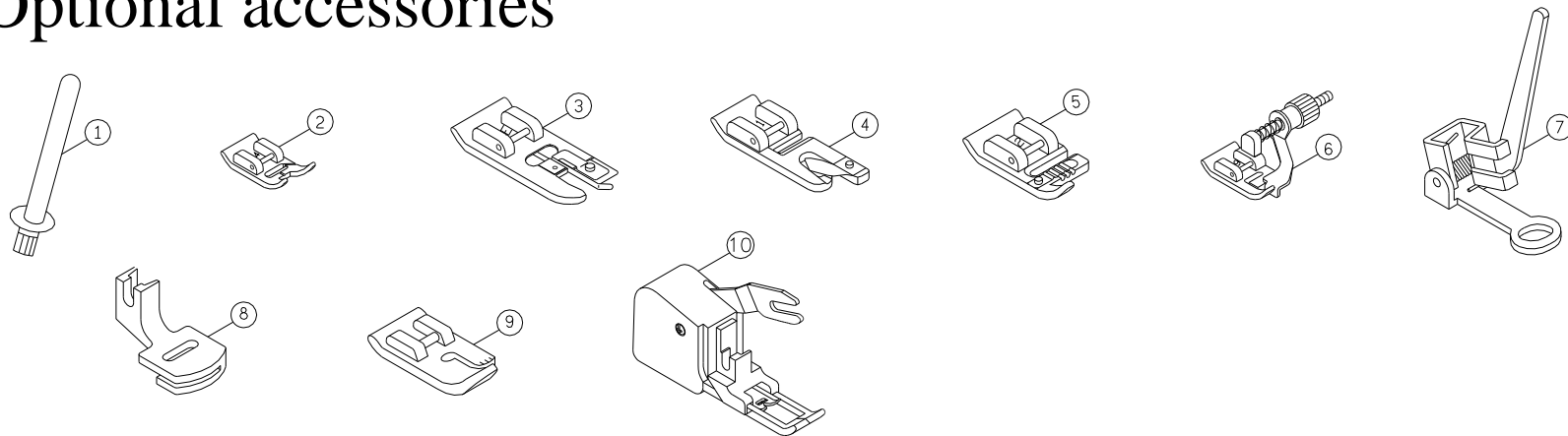
## J. Accessories

## Standard accessories

J



## Optional accessories



## J. Accessories

Standard accessories			
No.	Part No.	Description	Remark
1	006806008	Zigzag foot (J)	
2	006093009	Screwdriver	
3	006Q6A0150	Buttonhole foot (D)	
4	006914008	Button sew on foot	
5	006099008	Brush & Seam ripper complete	
6	006084009	Bobbin	
7	006V880010	Pack needles	
8	R12373209	Spool holder ( large)	
9	TA10943209	Spool holder ( small )	

Optional accessories			
No.	Part No.	Description	Remark
1		Second spool pin	
2		Satin stitch foot	
3		Over casting foot	
4		Hemmer foot	
5		Cording foot	
6		Blind hem foot	
7		Embroidery foot	
8		Gathering foot	
9		Quilting foot (P)	
10		Walking foot (optional)	

**NOTE:** When you order any spare parts from us, please cooperate with us by writing.

- (1) Section & Sequence No.
- (2) Name of parts
- (3) Voltage, if necessary
- (4) Others, if any

" \* "means : These spare parts are not supplied individually , but can be obtained by minimum quantity at 300 pcs.