

SINGER
240 & 3100 Series

240 & 3100 SERIES
REVISION RECORD

REV. _____

REV.	DESCRIPTION	APPROVAL AND DATE
	ADOPTED BY SERVICE LETTER No. 009	

INDEX

PAGE NBR	SUB-ASSEMBLY
01,04	ATTACHMENT SET
05,06	ARM TOP COVER & FACE PLATE
07,10	ARM TOP COVER & CONTROL PANEL
11,14	NEEDLE BAR & TAKE-UP
15,18	PRESSER BAR
19,20	ARM SHAFT DRIVE
21,22	HAND WHEEL
23,24	TENSION MECHANISM
25,26	BOBBIN WINDER
27,30	ROTATING HOOK, THROAT PLATE & BED SLIDE
32	BIGHT AMPLITUDE
33,36	NEEDLE POSITION & DISC SELECTOR
37,38	CAM STACK
39,40	FEED REGULATOR
41,44	FEED REGULATOR WITH BUTTONHOLER
45,46	FEED SYSTEM
47,48	OPTIONS
49,50	ELECTRICAL INTERFACES
51,52	PARTS LIST SUPPLEMENT FOR 960 SERIES MACHINES

PART LIST
ATTACHMENT SET

QTY.	PART NBR	DESCRIPTION	2	3	3	3	3	2	3	3	3	3
			2	2	2	5	2	5	2	5	2	5
			4	4	4	4	6	6	8	8	0	0
			9	1	7	7	3	3	8	8	4	1
01	446149-455	ATTACHMENT BOX COVER (OFF-BRAND)					X					
01	446149-454	ATTACHMENT BOX COVER		X	X		X		X		X	X
01	381287-453	ATTACHMENT BOX COVER FOR 30 DISC									X	
02	446148-454	ATTACHMENT BOX BASE		X	X	X	X		X		X	X
02	381286-453	ATTACHMENT BOX BASE FOR 30 DISC									X	
03	276785-451	ATTACHMENT BOX (CARD BOARD BOX)						X		X		
04	381213	BLIND STITCH GUIDE					X	X	X	X	X	X
05	276301	DISC NBR 1 (PLAIN ZIG-ZAG STITCH)							X	X	X	
05	276302	DISC NBR 2 (MULTI ZIG-ZAG STITCH)								X		
05	171340	DISC NBR 3/350 (BLIND STITCH)								X	X	
05	276304	DISC NBR 4 (SCALLOP STITCH)									X	
05	276305	DISC NBR 5 (ARROWHEAD STITCH)								X		
05	276306	DISC NBR 6 (DOMINO STITCH)								X		
05	276307	DISC NBR 7 (SHELL STITCH)									X	
05	171342	DISC NBR 8/352 (SOLID SCALLOP STITCH)								X	X	
05	276309	DISC NBR 9 (ICICLE STITCH)									X	
05	276310	DISC NBR 10 (BANNER STITCH)									X	
05	276311	DISC NBR 11 (KEY STITCH)									X	
05	276312	DISC NBR 12 (WALLS OF TROY STITCH)								X		
05	276313	DISC NBR 13 (DIAMOND STITCH)								X		
05	276314	DISC NBR 14 (ZIG-ZAG POINTS STITCH)									X	
05	276315	DISC NBR 15 (LONG OBLIQUE STITCH)									X	
05	276316	DISC NBR 16 (SHINGLE STITCH)									X	
05	276317	DISC NBR 17 (PENNANT STITCH)									X	
05	276318	DISC NBR 18 (THREE STEP STITCH)									X	
05	276319	DISC NBR 19 (BALL STITCH)									X	
05	276320	DISC NBR 20 (CURVE MENDING STITCH)									X	
05	276322	DISC NBR 22 (SEMAPHORE STITCH)									X	
05	276323	DISC NBR 23 (SOLID PYRAMYD STITCH)									X	
05	276325	DISC NBR 25 (SPINY STITCH)									X	
05	276326	DISC NBR 26 (BLOCK STITCH)									X	
05	276327	DISC NBR 27 (FAGGOTING STITCH)								X	X	
05	276328	DISC NBR 28 (COMB STITCH)									X	
05	276329	DISC NBR 29 (PAVILLON STITCH)									X	
05	276330	DISC NBR 30 (PLATFORM STITCH)									X	
05	171341	DISC NBR 31/351 (CRESCENT STITCH)								X	X	
05	276337	DISC NBR 37 (ALPINE STITCH)								X		

PART LIST
ATTACHMENT SET (CONT.)

REF.	PART NBR	DESCRIPTION	2	2	2	5	2	5	2	5	4	3	3	3
			4	4	4	4	6	6	8	8	0	0	0	0
			9	1	7	7	3	3	8	8	4	1	2	3
06	381058	NEEDLE 2020N SIZE 11/14/16		X			X		X		X	X		X
06	381342	NEEDLE 2020N SIZE 14 (3)	X											X
06	2045-100	NEEDLE BALL POINT SIZE 14	X	X	X	X	X	X	X	X	X	X	X	X
07	381341	NEEDLE 2028/2045 SIZE 14					X		X		X			X
07	381474	NEEDLE 2020/2045				X								
07	381475	NEEDLE 2045/2025						X		X				
07	381480	NEEDLE 2020N E. 1 /2045 11												X
07	381481	NEEDLE 2020N						X		X				
08	172336	BOBBIN (PLASTIC)	X	X	X	X	X	X	X	X	X	X	X	X
09	507664-459	THREAD LEAD-OFF (SMALL)							X	X	X			
10	381495	FEED COVER PLATE (PLASTIC)		X			X	X	X	X	X	X		X
10	444884	OIL CONTAINER	X	X			X		X		X	X	X	X
12	173571	SPOOL PIN	X	X	X	X	X	X	X			X	X	X
13	311800	EXTENSION FOR SPOOL PIN (EUROPE)				X	X							X
14	8879-455	SPOOL PIN WASHER FELT	X	X	X	X	X	X	X			X	X	X
15	153267	PRESSER FOOT PLATE SNAP-ON STRAIGHT STITCH						X	X	X	X	X		X
16	501750	LINT BRUSH						X	X	X	X			
17	444813-455	SPOOL PIN FOR TWIN NEEDLE SEWING					X	X	X	X	X			X
19	179911	PRESSER FOOT - BUTTON SEWING	X				X	X	X	X	X	X		X
20	161927	PRESSER FOOT PLATE SNAP-ON FOR BUTTONHOLER						X	X	X	X			X
21	507836	PRESSER FOOT - ZIPPER	X						X	X	X	X		
22	171498	PRESSER FOOT - SPECIAL PURPOSE				X	X	X	X	X				X
23	44985	THROAT PLATE - STRAIGHT STITCH				X	X	X	X	X				X

PART LIST
ARM TOP COVER & FACE PLATE

REF.	PART NBR	DESCRIPTION	2	2	2	5	2	5	2	5	4	1	1	1
			4	4	4	4	6	6	8	8	0	0	0	0
			9	1	7	7	3	3	8	8	4	1	2	3
01	356002-454	ARM TOP COVER COMPLETE		X										
01	531528-453	ARM TOP COVER COMPLETE				X								
01	531545-452	ARM TOP COVER COMPLETE					X							
01	531550-455	ARM TOP COVER COMPLETE						X						
01	531561-452	ARM TOP COVER COMPLETE							X					
01	356009-456	ARM TOP COVER COMPLETE		X										
01	531998-454	ARM TOP COVER COMPLETE										X		
01	531975-454	ARM TOP COVER COMPLETE											X	
01	531989-459	ARM TOP COVER COMPLETE												X
01	531994-456	ARM TOP COVER COMPLETE												
02	444746	BOBBIN WINDER STOP	X	X	X	X	X	X				X	X	X
03	141920-453	BOBBIN WINDER STOP SCREW	X	X	X	X	X	X				X	X	X
04	53640-819	BOBBIN WINDER STOP SCREW NUT	X	X	X	X	X	X				X	X	X
05	44368	BOBBIN WINDER TENSION & THREAD GUIDE	X	X	X	X	X	X				X	X	X
06	141936-833	BOBBIN WINDER TENSION BKT. ADJUST. SCREW	X	X	X	X	X	X				X	X	X
07	44794	BB. WINDER TENS. BKT. ADJ. SCREW RET. CLIP	X	X	X	X	X	X				X	X	X
08	44902-452	MEDALLION FRAME (BLACK)	X											
08	44902-458	MEDALLION FRAME (GOLD)	X		X		X							
08	44902-464	MEDALLION FRAME (BROWN)		X	X									
08	44902-454	MEDALLION FRAME (HUNTER GREEN)			X		X							
08	44902-462	MEDALLION FRAME (ACORN)			X									
08	44902-460	MEDALLION FRAME (HUNTER GREEN)				X		X						
08	44902-46A	MEDALLION FRAME (CORAL ROSE)					X							
09	354919-453	ARM TOP COVER SCREW	X	X	X	X	X	X				X	X	X
10	445825-458	FACE PLATE	X	X	X	X	X	X				X	X	X
11	354826-453	FACE PLATE SCREW	X	X	X	X	X	X				X	X	X
12	531641-902	ARM TOP COVER INSERT (TEST LESS)	X	X	X	X	X	X				X	X	X
12	531641-454	ARM TOP COVER INSERT (PRESSOMATIC)	X	X	X	X	X	X				X	X	X

PART LIST
ARM TOP COVER & CONTROL PANEL

REF.	PART NBR	DESCRIPTION	2	2	2	5	2	5	2	5	2	3	3	3
			4	4	4	4	6	6	8	8	0	0	0	0
			9	1	7	7	3	3	8	8	4	1	2	3
01	531951-467	ARM TOP COVER COMPLETE							X	X	X			
01	531951-468	ARM TOP COVER COMPLETE							X	X	X			
02	179967-451	ARM TOP COVER SPOOL PIN THREAD LEAD-OFF							X	X	X			
03	353553-451	ARM TOP COVER LID THREAD GUIDE							X	X	X			
04	531539-453	ARM TOP COVER LID							X	X				
04	353505-454	ARM TOP COVER LID							X	X				
05	445573	ARM TOP COVER LID HINGE PIN (RIGHT)											X	
06	445572-453	ARM TOP COVER LID HINGE							X	X	X			
07	531631-451	ARM TOP COVER LID HINGE SCREW							X	X	X			
08	141920-453	BOBBIN WINDER STOP SCREW							X	X	X			
09	44648	BOBBIN WINDER STOP							X	X	X			
10	53640-819	BOBBIN WINDER STOP SCREW NUT							X	X	X			
11	445575	ARM TOP COVER HINGE SPRING (RIGHT)							X	X	X			
12	531631-451	ARM TOP COVER HINGE SPRING SCREW							X	X	X			
13	445577-45X	MEDALLION COMPLETE (RED)							X	X	X			
13	445577-467	MEDALLION COMPLETE (BLACK)							X					
13	445577-466	MEDALLION COMPLETE (SILVER METALLIC)							X					
13	445577-460	MEDALLION COMPLETE (BRILLIANT BLUE)							X					
13	445577-453	MEDALLION COMPLETE (ALUMINIUM)							X					
13	445577-454	MEDALLION COMPLETE (CHESTNUT BRONZE)							X					
13	445577-463	MEDALLION COMPLETE (BRIL. BLUE METALLIC)							X					
13	445577-462	MEDALLION COMPLETE (ACORN)								X				
13	445577-469	MEDALLION COMPLETE (BLACK)								X				
13	445577-468	MEDALLION COMPLETE (HUNTER GREEN)								X				
13	445577	MEDALLION COMPLETE (CORAL ROSE)								X				
14	44794	BOBBIN WINDER TENSION BRACKET											X	
		ADJUSTING SCREW RETAINING CLIP							X	X	X			
15	141936-833	BOBBIN WINDER TENSION BRACKET												
		ADJUSTING SCREW							X	X	X			

PART LIST
ARM TOP COVER & CONTROL PANEL (CONT.)

REF.	PART NBR	DESCRIPTION	2	3	3	3	2	5	2	5	2	5	4	1	1	1
			4	4	4	4	6	6	8	8	0	0	0	0	0	0
			9	1	7	7	3	3	8	8	4	4	1	2	3	
16	445574	ARM TOP COVER LID HINGE SPRING (LEFT)								X	X	X				
17	44368	BOBBIN WINDER TENSION & THREAD GUIDE								X	X	X				
18	354920-453	ARM TOP COVER SCREW								X	X	X				
19	446000	ARM TOP COVER LID HINGE PIN (LEFT)								X	X	X				
20	354810-451	ARM TOP COVER LID THREAD GUIDE SCREW								X	X	X				
21	445581-453	FACE PLATE								X	X	X				
22	354133-453	FACE PLATE								X	X	X				
23	445765	CONTROL PANEL SCREW (LEFT) WASHER								X	X	X				
24	354552-451	CONTROL PANEL SCREW (LEFT)								X	X	X				
25	354710-451	CONTROL PANEL SCREW (RIGHT)								X	X	X				
26	531556-455	CONTROL PANEL (BRILLIANT BLUE METALLIC)											X			
26	531556-456	CONTROL PANEL (ACORN)											X			
26	531556-457	CONTROL PANEL (BLACK)											X			
26	531556-458	CONTROL PANEL (HUNTER GREEN)											X			
26	531631-45X	CONTROL PANEL (RED)											X			
26	531541-456	CONTROL PANEL (BLACK)											X			
26	531541-457	CONTROL PANEL (SILVER METALLIC)											X			
26	531541-459	CONTROL PANEL (BRILLIANT BLUE)											X			
26	353503-452	CONTROL PANEL (CORAL ROSE)													X	
26	356136-451	CONTROL PANEL (ALUMINIUM)											X			
26	445631-454	CONTROL PANEL (CHESTNUT BRONZE)											X			
27	44589	DISC FOLLOWER SPRING								X	X	X				

PART LIST
NEEDLE BAR & THREAD TAKE-UP

REF.	PART NBR	DESCRIPTION	2	2	2	5	2	5	2	5	2	3	3	3	3
			4	4	4	4	6	6	8	8	0	0	0	0	0
			9	1	7	7	3	3	8	8	4	1	2	3	5
01	445672	THREAD TAKE-UP LEVER ASSEMBLY					X	X	X	X	X		X	X	X
01	445664	THREAD TAKE-UP LEVER ASSEMBLY	X	X	X	X						X			
02	446260	THREAD TAKE-UP STUD	X	X	X	X	X	X	X	X	X	X	X	X	X
03	445224	NEEDLE BAR CONNECTING LINK	X	X	X	X	X	X	X	X	X	X	X	X	X
04	445486	THREAD TAKE-UP STUD RETAINING RING	X	X	X	X	X	X	X	X	X	X	X	X	X
05	446169	THREAD TAKE-UP LEVER LINK HINGE STUD	X	X	X	X	X	X	X	X	X	X	X	X	X
06	141803-830	THREAD TAKE-UP LEVER LINK HINGE STUD SET SCREW	X	X	X	X	X	X	X	X	X	X	X	X	X
07	446261	THREAD TAKE-UP STUD ASSEMBLY	X	X	X	X	X	X	X	X	X	X	X	X	X
08	446190	NEEDLE BAR DRIVING ARM HINGE BRACKET		X	X	X	X	X	X	X	X	X	X	X	X
08	356021	NEEDLE BAR DRIVING ARM HINGE BRACKET	X												
09	37935	NEEDLE BAR DRIVING ARM HINGE BRACKET HINGE PIN	X	X	X	X	X	X	X	X	X	X	X	X	X
10	353424	NEEDLE BAR BALL BUSHING (UPPER) FRICTION WASHER	X	X	X	X	X	X	X	X	X	X	X	X	X
11	507379	NEEDLE BAR BALL BUSHING (LOWER) SOCKET (LOWER)	X	X	X	X	X	X	X	X	X	X	X	X	X
12	446355-001	NEEDLE BAR BALL BUSHING (LOWER)	X	X	X	X	X	X	X	X	X	X	X	X	X
13	353521	NEEDLE BAR VIBRATING BRACKET	X	X	X	X	X	X	X	X	X	X	X	X	X
14	353520	NEEDLE BAR VIBRATING BRACKET COMPLETE		X	X	X	X	X	X	X	X	X	X	X	X
14	356020	NEEDLE BAR VIBRATING BRACKET COMPLETE	X												
15	141844-819	NEEDLE BAR DRIVING ARM HINGE BRACKET SCREW	X	X	X	X	X	X	X	X	X	X	X	X	X
15	445124	NEEDLE BAR VIBRATING BRACKET HINGE PIN		X	X	X	X	X	X	X	X	X	X	X	X
16	356013	NEEDLE BAR VIBRATING BRACKET HINGE PIN	X												
17	354813-451	NEEDLE BAR VIBRATING BRACKET HINGE PIN (ECCENTRIC) SET SCREW	X	X	X	X	X	X	X	X	X	X	X	X	X
18	353522	NEEDLE BAR BALL BUSHING (UPPER) RETAINING RING	X	X	X	X	X	X	X	X	X	X	X	X	X
19	37932	NEEDLE BAR CONNECTING STUD HINGE PIN ASSEMBLY		X	X	X	X	X	X	X	X	X	X	X	X
19	356018	NEEDLE BAR CONNECTING STUD HINGE PIN ASSEMBLY	X												
20	353549	NEEDLE BAR CONNECTING STUD		X	X	X	X	X	X	X	X	X	X	X	X
20	353549-940	NEEDLE BAR CONNECTING STUD WITH PIN	X	X	X	X	X	X	X	X	X	X	X	X	X

PART LIST
NEEDLE BAR & THREAD TAKE-UP (CONT.)

REF.	PART NBR	DESCRIPTION	2	3	3	3	3	2	5	2	5	2	5	2	3	3	3	3
			2	2	2	5	2	5	2	5	2	5	2	5	2	3	3	3
			4	4	4	4	6	6	8	8	0	0	0	0	0	0	0	0
			9	1	7	7	3	3	8	8	4	1	2	3	5			
21	37931	NEEDLE BAR CONNECTING STUD HINGE PIN		X	X	X	X	X	X	X	X	X	X	X	X	X	X	X
22	141916-833	NEEDLE BAR CLAMPING SCREW		X	X	X	X	X	X	X	X	X	X	X	X	X	X	X
23	445793	NEEDLE BAR	X	X	X	X	X	X	X	X	X	X	X	X	X	X	X	X
24	37943	NEEDLE BAR GIB	X	X	X	X	X	X	X	X	X	X	X	X	X	X	X	X
25	446355-001	NEEDLE BAR BALL BUSHING (UPPER)	X	X	X	X	X	X	X	X	X	X	X	X	X	X	X	X
26	507379	NEEDLE BAR BALL BUSHING (UPPER) SOCKET	X	X	X	X	X	X	X	X	X	X	X	X	X	X	X	X
27	353674	NEEDLE CLAMP COMPLETE		X	X	X	X	X	X	X	X	X	X	X	X	X	X	X
27	445143	NEEDLE CLAMP COMPLETE	X															
28	141942-825	NEEDLE THUMB SCREW	X	X	X	X	X	X	X	X	X	X	X	X	X	X	X	X
29	353673	NEEDLE CLAMP BODY	X	X	X	X	X	X	X	X	X	X	X	X	X	X	X	X
30	204514-100	NEEDLE (SIZE NBR 14)	X	X	X	X	X	X	X	X	X	X	X	X	X	X	X	X
	353629	NEEDLE CLAMP THREAD GUIDE	X	X	X	X	X	X	X	X	X	X	X	X	X	X	X	X
32	141808-451	NEEDLE CLAMP BODY, NEEDLE CLAMP THREAD GUIDE & NEEDLE STOP SCREW	X	X	X	X	X	X	X	X	X	X	X	X	X	X	X	X
33	141803-830	NEEDLE BAR BALL BUSHING (LOWER) ADJUSTING SCREW SET SCREW	X	X	X	X	X	X	X	X	X	X	X	X	X	X	X	X
34	446361	NEEDLE BAR BALL BUSHING (LOWER) ADJUSTING SCREW	X	X	X	X	X	X	X	X	X	X	X	X	X	X	X	X
35	354592-451	NEEDLE BAR VIBRATING BRACKET HINGE PIN (ECCENTRIC) COLLAR SCREW		X	X	X	X	X	X	X	X	X	X	X	X	X	X	X
36	445406	NEEDLE BAR VIBRATING BRACKET HINGE PIN (ECCENTRIC) COLLAR		X	X	X	X	X	X	X	X	X	X	X	X	X	X	X
37	354105-855	NEEDLE BAR CLAMPING SCREW	X															

PART LIST
PRESSER BAR

REF.	PART NBR	DESCRIPTION	2	2	2	5	2	5	2	5	2	3	3	3	3
			4	4	4	4	6	6	8	8	0	0	0	0	0
			9	1	7	7	3	3	8	8	4	1	2	3	5
01	354826-451	PRESSER BAR PRESSURE REGULATING KNOB BRACKET SCREW		X	X	X	X	X	X	X	X	X	X	X	X
01	354917-451	PRESSER BAR SPRING BRACKET	A												
02	141808-452	NEEDLE BAR VIBRATING BRACKET STOP SCREW							X	X	X				
03	446741	PRESSER BAR SPRING ADJUSTING BRACKET		X	X	X	X	X	X	X	X	X	X	X	X
04	514698-451	NEEDLE BAR VIBRATING BRACKET STOP SCREW NUT							X	X	X				
05	445765	PRESSER BAR SPRING ADJUSTING BRACKET SCREW WASHER		X	X	X	X	X	X	X	X	X	X	X	X
06	354552-451	PRESSER BAR SPRING ADJUSTING BRACKET SCREW		X	X	X	X	X	X	X	X	X	X	X	X
07	445594	PRESSER BAR PRESSURE REGULATING KNOB BRACKET							X	X	X				
08	141925-833	PRESSER BAR GUIDE BRACKET SCREW		X	X	X	X	X	X	X	X	X	X	X	X
09	444803	PRESSER BAR SPRING		X	X	X	X	X	X	X	X	X	X	X	X
09	356015	PRESSER BAR SPRING		X											
10	446030	PRESSER BAR		X	X	X	X	X	X	X	X	X	X	X	X
10	356012	PRESSER BAR		X											
11	044445	PRESSER BAR LIFTER		X	X	X	X	X	X	X	X	X	X	X	X
11	356007-453	PRESSER BAR LIFTER (PLASTIC) (ALTERNATE)	X												
12	141846-451	PRESSER BAR LIFTER HINGE SCREW		X	X	X	X	X	X	X	X	X	X	X	X
12	354860-451	PRESSER BAR LIFTER HINGE SCREW HINGE SCREW (ALTERNATE)		X											

PART LIST
PRESSER BAR (CONT.)

REF.	PART NBR	DESCRIPTION	2	2	2	5	2	5	2	5	4	3	3	3	3
			4	4	4	4	6	6	8	8	0	0	0	0	0
			9	1	7	7	3	3	8	8	4	1	2	3	5
13	354135-452	PRESSER FOOT THUMB SCREW	X	X	X	X	X	X	X	X	X	X	X	X	X
14	37985	TENSION RELEASING LEVER	X	X	X	X	X	X	X	X	X	X	X	X	X
15	354543-451	TENSION RELEASING LEVER HINGE SCREW	X	X	X	X	X	X	X	X	X	X	X	X	X
16	445291	PRESSER BAR GUIDE BRACKET WITH SCREW		X	X	X	X	X	X	X	X	X	X	X	X
16	356016	PRESSER BAR GUIDE BRACKET WITH SCREW	X												
17	155964	PRESSER FOOT SHANK (SNAP-ON)		X	X	X	X	X	X	X	X	X	X	X	X
18	155962	PRESSER FOOT SHANK (SNAP-ON) FOR ZIG-ZAG		X	X	X	X	X	X	X	X	X	X	X	X
19	445604	FACE PLATE SUPPORT BRACKET							X	X	X				
20	141920-452	FACE PLATE SUPPORT BRACKET SCREW							X	X	X				
21	445227	PRESSER BAR PRESSURE REGULATING KNOB BRACKET		X	X	X	X	X					X	X	X
	356014	PRESSER BAR SPRING BRACKET	X												
23	32773	PRESSER FOOT COMPLETE	X												
24	445228-001	PRESSER BAR SPRING BRACKET (FOR PRESSOMATIC)		X	X	X	X	X					X	X	X
25	445596-001	PRESSER BAR SPRING BRACKET (FOR PRESSOMATIC)							X	X	X				

PART LIST
ARM SHAFT DRIVE

F. PART NBR	DESCRIPTION	2	2	2	5	2	5	2	5	2	3	3	3	3
		4	4	4	4	6	6	8	8	0	0	0	0	0
		9	1	7	7	3	3	8	8	4	1	2	3	5
01 445777	ARM SHAFT (HORIZONTAL) COMPLETE		X	X	X	X	X	X	X	X	X	X	X	X
01 356022	ARM SHAFT (HORIZONTAL) COMPLETE	X												
02 445898	NEEDLE BAR CRANK PIN	X	X	X	X	X	X	X	X	X	X	X	X	X
03 354105-833	NEEDLE BAR CRANK POSITION SET SCREW	X	X	X	X	X	X	X	X	X	X	X	X	X
04 37284-001	FEED FORKED CONNECTING RETAINING WASHER (PLASTIC)	X	X	X	X	X	X	X	X	X	X	X	X	X
05 319695	ARM SHAFT (HORIZONTAL) BEVEL GEAR WITH SCREW	X	X	X	X	X	X	X	X	X	X	X	X	X
06 354813-451	ARM SHAFT (HORIZONTAL) BEVEL GEAR SET SCREW	X	X	X	X	X	X	X	X	X	X	X	X	X
07 179993	FEED CAM WITH SCREW	X	X	X	X	X	X	X	X	X	X	X	X	X
08 354813-451	FEED CAM SET SCREW	X	X	X	X	X	X	X	X	X	X	X	X	X
09 445491	ARM SHAFT (UPRIGHT) COMPLETE	X	X	X	X	X	X	X	X	X	X	X	X	X
445816	ARM SHAFT (UPRIGHT)	X	X	X	X	X	X	X	X	X	X	X	X	X
11 445817	ARM SHAFT (UPRIGHT) BEVEL GEAR	X	X	X	X	X	X	X	X	X	X	X	X	X
12 354826-451	ARM SHAFT (UPRIGHT) BEVEL GEAR SET SCREW	X	X	X	X	X	X	X	X	X	X	X	X	X
13 445543	ARM SHAFT (UPRIGHT) BELT DRIVE PULLEY WITH SCREW	X	X	X	X	X	X	X	X	X	X	X	X	X
14 354906-451	ARM SHAFT (UPRIGHT) BELT DRIVE PULLEY SET SCREW	X	X	X	X	X	X	X	X	X	X	X	X	X
15 37977	ROTATING HOOK DRIVE BELT	X	X	X	X	X	X	X	X	X	X	X	X	X
16 531630	ROTATING HOOK DRIVE BELT TENSIONER ADJUSTER	X	X	X	X	X	X	X	X	X	X	X	X	X
17 354316-451	ROTATING HOOK DRIVE BELT TENSIONER ADJUSTER SCREW	X	X	X	X	X	X	X	X	X	X	X	X	X
18 319764	NEEDLE BAR CRANK WASHER (PLASTIC)	X	X	X	X	X	X	X	X	X	X	X	X	X

PART LIST
HAND WHEEL

REF.	PART NBR	DESCRIPTION	2	3	3	3	3	2	5	2	5	2	5	4	1	1	1	1
			4	4	4	4	6	6	8	8	0	0	0	0	0	0	0	0
			9	1	7	7	3	3	8	8	4	1	2	3	5			
01	141914-453	CLAMP STOP MOTION STOP SCREW	X	X	X	X	X	X	X	X	X	X	X	X	X	X	X	X
02	44468-458	CLAMP STOP MOTION SCREW	X	X	X	X	X	X	X	X	X	X	X	X	X	X	X	X
03	44464	HAND WHEEL CLAMPING WASHER	X	X	X	X	X	X	X	X	X	X	X	X	X	X	X	X
04	445489-460	HAND WHEEL (CAST IRON)	X	X	X	X	X	X	X	X	X	X	X	X	X	X	X	X
04	44763-457	HAND WHEEL (C.IRON-FOR HAND ATTACHMENT)	X	X	X	X	X	X	X	X	X	X	X	X	X	X	X	X
04	531898-454	HAND WHEEL (PLASTIC)	X	X	X	X	X	X	X	X	X	X	X	X	X	X	X	X
05	44679	CLAMP STOP MOTION FLANGED BUSHING COMPLETE	X	X	X	X	X	X	X	X	X	X	X	X	X	X	X	X
06	141916-833	CLAMP STOP MOTION FLANGED BUSHING SET SCREW	X	X	X	X	X	X	X	X	X	X	X	X	X	X	X	X
07	141915-833	CLAMP STOP MOTION FLANGED BUSHING POSITIONING SCREW	X	X	X	X	X	X	X	X	X	X	X	X	X	X	X	X

PART LIST
TENSION MECHANISM

REF.	PART NBR	DESCRIPTION	2	2	2	5	2	5	2	5	2	3	3	3	3
			4	4	4	4	6	6	8	8	0	0	0	0	0
			9	1	7	7	3	3	8	8	4	1	2	3	5
01	141938-833	TENSION STUD SET SCREW	X	X	X	X	X	X	X	X	X	X	X	X	X
02	353249	SLACK THREAD REGULATOR & TENSION THREAD GUIDE	X	X	X	X	X	X	X	X	X	X	X	X	X
03	141808-451	SLACK THREAD REGULATOR & TENSION THREAD GUIDE SCREW	X	X	X	X	X	X	X	X	X	X	X	X	X
04	446323-477	TENSION MOUNTING BRACKET COMPLETE	X	X	X	X	X	X	X	X	X	X	X	X	X
05	446333	TENSION STUD	X	X	X	X	X	X	X	X	X	X	X	X	X
06	446331	TENSION RELEASING PIN	X	X	X	X	X	X	X	X	X	X	X	X	X
07	353248	THREAD TAKE-UP SPRING	X	X	X	X	X	X	X	X	X	X	X	X	X
08	2102-001	TENSION DISC	X	X	X	X	X	X	X	X	X	X	X	X	X
09	353250	THREAD TAKE-UP SPRING THREAD GUARD	X	X	X	X	X	X	X	X	X	X	X	X	X
10	44879-478	TENSION SPRING CAP	X	X	X	X	X	X	X	X	X	X	X	X	X
	125314	TENSION SPRING	X	X	X	X	X	X	X	X	X	X	X	X	X
12	37984	TENSION MOUNTING BRACKET	X	X	X	X	X	X	X	X	X	X	X	X	X
13	446126	TENSION INDICATOR ADAPTER	X	X	X	X	X	X	X	X	X	X	X	X	X
14	445054-030	TENSION INDICATOR DIAL	X	X	X	X	X	X	X	X	X	X	X	X	X
15	445784	THREAD GUIDE (LOWER)	X	X	X	X	X	X	X	X	X	X	X	X	X

PART LIST
BOBBIN WINDER

REF.	PART NBR	DESCRIPTION	2	3	3	3	3	2	3	3	3	3			
			2	2	2	5	2	5	2	5	4	1	1	1	1
			4	4	4	4	6	6	8	8	0	0	0	0	0
			9	1	7	7	3	3	8	8	4	1	2	3	5
01	353423-001	BOBBIN WINDER COMPLETE							X	X	X				
01	353420	BOBBIN WINDER COMPLETE	X	X	X	X	X	X				X	X	X	X
02	353422	BOBBIN WINDER FRAME WITH PIN							X	X	X				
02	353419	BOBBIN WINDER FRAME WITH PIN	X	X	X	X	X	X				X	X	X	X
03	445217	BOBBIN WINDER SPINDLE COMPLETE							X	X	X				
03	445214	BOBBIN WINDER SPINDLE COMPLETE	X	X	X	X	X	X				X	X	X	X
04	44440-001	BOBBIN WINDER PULLEY (PLASTIC)	X	X	X	X	X	X	X	X	X	X	X	X	X
05	15287-701	BOBBIN WINDER FRICTION WASHER	X	X	X	X	X	X	X	X	X	X	X	X	X
06	445613	BOBBIN WINDER SPRING	X	X	X	X	X	X	X	X	X	X	X	X	X
07	445785	BOBBIN WINDER HINGE STUD	X	X	X	X	X	X	X	X	X	X	X	X	X
08	141803-830	BOBBIN WINDER HINGE SET SCREW	X	X	X	X	X	X	X	X	X	X	X	X	X
	354552-451	BOBBIN WINDER SPRING SCREW	X	X	X	X	X	X	X	X	X	X	X	X	X

		PART LIST										2	3	3	3	3
		ROTATING HOOK, THROAT PLATE & BED SLIDE										2	3	3	3	3
REF.	PART NBR	DESCRIPTION	2	2	2	5	2	5	2	5	4	1	1	1	1	
			4	4	4	4	6	6	8	8	0	0	0	0	0	
			9	1	7	7	3	3	8	8	4	1	2	3	5	
01	172336	ROTATING HOOK BOBBIN (PLASTIC)	X	X	X	X	X	X	X	X	X	X	X	X	X	
02	310884-451	ROTATING HOOK BOBBIN CASE TENSION SPRING SEGMENT	X	X	X	X	X	X	X	X	X	X	X	X	X	
03	314715	ROTATING HOOK BOBBIN CASE TENSION SPRING	X	X	X	X	X	X	X	X	X	X	X	X	X	
04	139975-452	ROTATING HOOK BOBBIN CASE TENSION SPRING SEGMENT SCREW	X	X	X	X	X	X	X	X	X	X	X	X	X	
05	354183-452	ROTATING HOOK BOBBIN CASE TENSION SPRING TENSION ADJUSTING SCREW	X	X	X	X	X	X	X	X	X	X	X	X	X	
06	421325	ROTATING HOOK BOBBIN CASE COMPLETE	X	X	X	X	X	X	X	X	X	X	X	X	X	
07	445554-001	ROTATING HOOK	X	X	X	X	X	X	X	X	X	X	X	X	X	
08	44512	ROTATING HOOK BUSHING	X	X	X	X	X	X	X	X	X	X	X	X	X	
09	141925-833	ROTATING HOOK BUSHING SET SCREW	X	X	X	X	X	X	X	X	X	X	X	X	X	
	139943-803	FLANGED BUSHING POSITIONING ADJUSTING SCREW	X	X	X	X	X	X	X	X	X	X	X	X	X	
11	445559	ROTATING HOOK BELT DRIVE PULLEY COMPLETE	X	X	X	X	X	X	X	X	X	X	X	X	X	
12	354906-451	ROTATING HOOK BELT DRIVE PULLEY FLANGE SET SCREW	X	X	X	X	X	X	X	X	X	X	X	X	X	
13	353511	ROTATING HOOK BOBBIN CASE RETAINING PLATE COMPLETE	X	X	X	X	X	X	X	X	X	X	X	X	X	
14	445808	ROTATING HOOK BOBBIN CASE RETAINING PLATE WASHER	X	X	X	X	X	X	X	X	X	X	X	X	X	

PART LIST

ROTATING HOOK, THROAT PLATE & BED SLIDE (CONT.)

REF.	PART NBR	DESCRIPTION	2	3	3	3	3	2	3	3	3	3	3
			4	4	4	4	6	6	8	8	0	0	0
			9	1	7	7	3	3	8	8	4	1	2
15	44892	ROTATING HOOK BOBBIN CASE RETAINING PLATE SPRING	X	X	X	X	X	X	X	X	X	X	X
16	353509	ROTATING HOOK BOBBIN CASE RETAINING PLATE RING	X	X	X	X	X	X	X	X	X	X	X
17	354917-451	ROTATING HOOK BOBBIN CASE POSITION SCREW	X	X	X	X	X	X	X	X	X	X	X
18	354917-451	ROTATING HOOK BOBBIN CASE RETAINING PLATE SCREW	X	X	X	X	X	X	X	X	X	X	X
19	44873-001	ROTATING HOOK BOBBIN CASE POSITION PLATE	X	X	X	X	X	X	X	X	X	X	X
20	444888	THROAT PLATE CLAMP	X	X	X	X	X	X	X	X	X	X	X
21	444889	THROAT PLATE CLAMP SPRING	X	X	X	X	X	X	X	X	X	X	X
22	445721	THROAT PLATE CLAMP SPRING RETAINING CLIP	X	X	X	X	X	X	X	X	X	X	X
23	179943	THROAT PLATE POSITION PIN	X	X	X	X	X	X	X	X	X	X	X
24	37239	BED SLIDE SPRING	X	X	X	X	X	X	X	X	X	X	X
25	354552-451	BED SLIDE SPRING SCREW	X	X	X	X	X	X	X	X	X	X	X
26	446151	BED SLIDE	X	X	X	X	X	X	X	X	X	X	X
27	445883	THROAT PLATE FOR ZIG-ZAG		X	X	X	X	X	X	X	X	X	X
27	356024	THROAT PLATE FOR STRAIGHT STITCH	X										

PART LIST
BIGHT AMPLITUDE

REF.	PART NBR	DESCRIPTION	2	2	2	5	2	5	2	5	2	3	3	3	3	
			4	4	4	4	6	6	8	8	0	0	0	0	0	
			9	1	7	7	3	3	8	8	4	1	2	3	5	
01	44711	BIGHT AMPLITUDE CONTROL LEVER ASSEMBLY	X	X	X											
02	37246	BIGHT AMPLITUDE CONTROL LEVER LINK	X	X	X	X	X	X	X	X	X	X	X	X	X	X
03	44652	BIGHT AMPLITUDE CONTROL LEVER ASSEMBLY					X	X								
04	353502-461	BIGHT AMPLITUDE CONTROL LEVER ASSEMBLY										X				
04	531973	BIGHT AMPLITUDE CONTROL LEVER ASSEMBLY											X	X		X
05	444893	BIGHT AMPLITUDE CONTROL LEVER	X	X	X	X	X									
06	141913-451	BIGHT AMPLITUDE CONTROL LEVER SCREW	X	X	X						X	X	X			X
07	354543-451	BIGHT AMPLITUDE CONTROL LEVER SCREW LINK HINGE SCREW	X	X	X	X	X	X	X	X	X	X	X	X	X	X
08	49204	BIGHT AMPLITUDE LEVER LINK HINGE SCREW FRICTION WASHER	X	X	X	X	X	X	X	X	X	X	X	X	X	X
09	141913-451	BIGHT AMPLITUDE CONTROL LEVER LINK STOP SCREW	X	X	X	X	X	X	X	X	X	X	X	X	X	X
10	446904	BIGHT AMPLITUDE CONTROL LEVER LINK STOP	X	X	X	X	X	X	X	X	X	X	X	X	X	X
11	37933-002	NEEDLE DRIVING ARM	X	X	X	X	X	X	X	X	X	X	X	X	X	X
12	37942	NEEDLE DRIVING ARM TENSION SPRING	X	X	X	X	X	X	X	X	X	X	X	X	X	X
13	444896-458	BIGHT AMPLITUDE CONTROL LEVER KNOB	X	X	X	X	X									
14	531987	BIGHT AMPLITUDE CONTROL LEVER ASSEMBLY														X
14	445587-462	BIGHT AMPLITUDE CONTROL LEVER ASSEMBLY WITH KNOB									X	X				
15	44556	BUTTONHOLER BIGHT CONTROL LEVER LINK						X	X	X	X					X
16	531974	BIGHT AMPLITUDE CONTROL LEVER											X	X	X	
16	445586-462	BIGHT AMPLITUDE CONTROL LEVER WITH KNOB							X	X	X					
17	445585-905	BIGHT AMPLITUDE CONTROL LEVER KNOB											X	X	X	
18	139866-451	BIGHT AMPLITUDE CONTROL LEVER SCREW					X	X	X	X						X

PART LIST
NEEDLE POSITION & DISC SELECTOR

REF.	PART NBR	DESCRIPTION	2	2	2	5	2	5	2	5	4	3	3	3	3	
			4	4	4	4	6	6	8	8	0	0	0	0	0	
			9	1	7	7	3	3	8	8	4	1	2	3	5	
01	44885	DISC SELECTOR LEVER ASSEMBLY							X	X						
01	531985	DISC SELECTOR LEVER ASSEMBLY													X	X
02	354975-452	NEEDLE BAR DRIVING ARM SLIDE SCREW							X					X		
03	44886	DISC FOLLOWER SPRING							X	X					X	X
04	353574	DISC FOLLOWER (UPPER)							X	X					X	X
05	44371	DISC FOLLOWER RETAINING RING							X	X	X	X	X	X	X	X
06	445646	DISC FOLLOWER							X	X	X	X	X	X	X	X
07	446023	DISC FOLLOWER STUD							X	X	X	X	X	X	X	X
08	354543-451	DISC SELECTOR HINGE SCREW							X	X					X	X
09	49204	DISC SELECTOR CONTROL LEVER LINK HINGE SCREW FRICTION WASHER							X	X					X	X
10	444896-458	NEEDLE POSITION SELECTOR LEVER KNOB							X	X	X	X				
11	445348	NEEDLE BAR DRIVING ARM SLIDE BRACKET ASSEMBLY							X	X	X	X	X		X	X
12	354669-451	NEEDLE BAR DRIVING ARM SLIDE BRACKET ASSEMBLY							X	X	X	X	X	X	X	X
13	445841	NEEDLE BAR DRIVING ARM SLIDE							X	X	X	X	X	X	X	X
14	356393-451	NEEDLE POSITION SELECTOR LEVER BRACKET FOLLOWER SCREW STUD NUT							X	X	X	X	X		X	X
15	445347	NEEDLE POSITION SELECTOR LEVER BRACKET FOLLOWER SCREW STUD (ECCENTRIC)							X	X	X	X	X		X	X
16	37939	NEEDLE BAR DRIVING ARM SLIDE BRACKET							X	X	X	X	X		X	X
17	37941	NEEDLE BAR DRIVING ARM SLIDE BRACKET HINGE STUD							X	X	X	X	X		X	X
18	141803-830	NEEDLE BAR DRIVING ARM SLIDE BRACKET HINGE STUD SCREW							X	X	X	X	X		X	X

PART LIST

NEEDLE POSITION & DISC SELECTOR (CONT.)

REF.	PART NBR	DESCRIPTION	2	3	3	3	3	2	5	2	5	2	5	4	1	1	1	1
			4	4	4	4	6	6	8	8	0	0	0	0	0	0	0	0
			9	1	7	7	3	3	8	8	4	1	2	3	5			
19	356229	NEEDLE POSITION SELECTOR LEVER ASSEMBLY			X	X								X				
19	531971	NEEDLE POSITION SELECTOR LEVER BRACKET COMPLETE															X	X
19	353501-461	NEEDLE POSITION SELECTOR LEVER BRACKET COMPLETE												X				
20	353547	NEEDLE POSITION SELECTOR LEVER BRACKET			X	X								X		X		X
21	444895	NEEDLE POSITION SELECTOR LEVER			X	X	X	X										
22	141913-451	NEEDLE POSITION SELECTOR LEVER SCREW			X	X	X	X	X	X	X	X				X	X	X
23	531988	NEEDLE POSITION SELECTOR LEVER BRACKET COMPLETE																X
23	353542-462	NEEDLE POSITION SELECTOR LEVER BRACKET COMPLETE WITH KNOB								X	X							
23	353541	NEEDLE POSITION SELECTOR LEVER BRACKET COMPLETE					X	X										
	353539	NEEDLE POSITION SELECTOR LEVER BRACKET ASSEMBLY					X	X	X	X								X
25	356005	NEEDLE POSITION DRIVING ARM SLIDE BRACKET			X												X	
26	356006	NEEDLE POSITION DRIVING ARM SLIDE BRACKET			X												X	
27	531972	NEEDLE POSITION SELECTOR LEVER															X	X
28	445585-905	NEEDLE POSITION SELECTOR LEVER KNOB															X	X
29	444800	NEEDLE POSITION SELECTOR BRACKET POSITIONING PIN SPRING			X	X	X	X	X	X	X	X					X	X
30	356228	NEEDLE POSITION SELECTOR BRACKET POSITIONING PIN			X	X	X	X	X	X	X	X					X	X
31	445589-462	NEEDLE POSITION SELECTOR LEVER WITH KNOB								X	X	X						

PART LIST											2	3	3	3	3
CAM STACK			2	2	2	5	2	5	2	5	4	1	1	1	1
REF.	PART NBR	DESCRIPTION	4	4	4	4	6	6	8	8	0	0	0	0	0
			9	1	7	7	3	3	8	8	4	1	2	3	5
01	444915-901	DISC DRIVING GEAR COMPLETE							X	X	X				
02	444899	DISC DRIVING GEAR SHAFT							X	X	X				
03	444911	DISC DRIVING GEAR SHAFT ASSEMBLY							X	X	X				
04	446176	DISC DRIVING GEAR POSITIONING ADJUSTING SPACER							X	X	X				
05	444908	DISC DRIVING GEAR RETAINING SPRING							X	X	X				
06	446138	DISC DRIVING GEAR POSITIONING ADJUSTING SPACER SCREW WASHER							X	X	X				
07	141920-452	DISC DRIVING GEAR POSITIONING ADJUSTING SPACER SCREW							X	X	X				
08	608908-001	DISC DRIVING GEAR RETAINING RING							X	X	X				
09	444903-453	DISC DRIVING GEAR RELEASING BRACKET RETAINING WASHER							X	X	X				
	444906	DISC DRIVING GEAR RELEASING BRACKET STUD COMPLETE							X	X	X				
11	276301	DISC NBR 1 (FOR ZIG-ZAG STITCH)							X	X	X				
12	353538-900	DISC DRIVING GEAR SHAFT COMPLETE						X	X					X	X
13	444922	DISC DRIVING GEAR SHAFT						X	X	X	X	X		X	X
14	179958	DISC DRIVING GEAR SHAFT (PLASTIC)						X	X	X	X	X		X	X
15	444924	DISC STACK						X	X					X	X
16	179957-451	DISC STACK SCREW WASHER						X	X	X	X	X		X	X
17	113375-451	DISC STACK POSITIONING SCREW						X	X	X	X	X		X	X
18	444923-453	DISC DRIVING GEAR SHAFT WASHER						X	X	X	X	X		X	X
19	444921	DISC DRIVING GEAR RETAINING RING						X	X	X	X	X		X	X
20	179956-900	DISC DRIVING GEAR SHAFT COMPLETE						X	X	X				X	X
21	445762	DISC STACK						X	X	X				X	X
22	141803-830	DISC DRIVING GEAR SHAFT SET SCREW						X	X	X	X	X	X	X	X

PART LIST
FEED REGULATOR

REF.	PART NBR	DESCRIPTION	2	3	3	3	3	2	5	2	5	2	5	4	1	1	1	1
			4	4	4	4	6	6	8	8	0	0	0	0	0	0	0	0
			9	1	7	7	3	3	8	8	4	1	2	3	5			
01	179904-451	FEED REGULATOR POSITIONING PIN KNOB	X	X	X	X									X	X		X
01	353507-452	FEED REGULATOR POSITIONING PIN KNOB												X				
02	531529-454	FEED REGULATOR CONTROL DIAL	X	X	X	X								X	X	X		X
03	445461	FEED REGULATOR CONTROL DIAL RETAINING RING	X	X	X	X								X	X	X		X
04	531530-454	FEED REGULATOR CONTROL DIAL COMPLETE	X	X	X	X								X	X	X		X
05	139868-819	FEED REGULATOR MOUNTING PLATE SCREW	X	X	X	X								X	X	X		X
06	446279	FEED REGULATOR MECHANISM COMPLETE	X	X	X	X								X	X	X		X
07	446283	FEED REGULATOR MECHANISM MOUNTING PLATE	X	X	X	X								X	X	X		X
08	446280	FEED REGULATOR CAM	X	X	X	X								X	X	X		X
09	446282	FEED REGULATOR MECHANISM WASHER	X	X	X	X								X	X	X		X
	446284	FEED REGULATOR CAM BRACKET	X	X	X	X								X	X	X		X
11	446281	FEED REGULATOR CAM FOLLOWER	X	X	X	X								X	X	X		X

PART LIST
FEED REGULATOR WITH BUTTONHOLER

REF.	PART NBR	DESCRIPTION	2	3	3	3	2	5	2	5	2	5	4	1	1	1
			4	4	4	4	6	6	8	8	0	0	0	0	0	0
			9	1	7	7	3	3	8	8	4	1	2	3	5	
01	356632	BUTTONHOLER NEEDLE POSITION CAM FOLLOWER LEVER LINK (RIGHT)					X	X	X	X						X
02	141913-451	BUTTONHOLER NEEDLE POSITION CAM FOLLOWER LEVER LINK					X	X	X	X						X
03	445486	BUTTONHOLER NEEDLE POSITION CAM FOLLOWER LEVER LINK (RIGHT) RETAINING RING					X	X	X	X						X
04	408030	BUTTONHOLER & FEED REGULATOR MECHANISM MOUNTING PLATE STUD RETAINING RING					X	X	X	X						X
05	549426-451	BUTTONHOLER & FEED REGULATOR MECHANISM MOUNTING PLATE STUD SPRING WASHER					X	X	X	X						X
06	445937	BUTTONHOLER & FEED REGULATOR MECHANISM MOUNTING PLATE STUD SPRING					X	X	X	X						X
07	356236	BUTTONHOLER & FEED REGULATOR MECHANISM MOUNTING PLATE STUD					X	X	X	X						X
08	531534-454	BUTTONHOLER & FEED REGULATOR CAM COMPLETE					X	X	X	X						X
09	531533-454	BUTTONHOLER & FEED REGULATOR CAM ASSEMBLY					X	X	X	X						X
10	445945	REVERSE FEED CAM FOLLOWER					X	X	X	X						X
11	113433-451	FEED REGULATOR POSITIONING PIN KNOB ADAPTOR SET SCREW					X	X	X	X						X
12	353445	FEED REGULATOR POSITIONING PIN KNOB ADAPTOR					X	X	X	X						X
13	179903-451	FEED REGULATOR POSITIONING PIN KNOB					X	X	X	X						X

PART LIST
 FEED REGULATOR WITH BUTTONHOLER (CONT.)

REF.	PART NBR	DESCRIPTION	2	2	2	5	2	5	2	5	4	3	3	3	
			4	4	4	4	6	6	8	8	0	0	0	0	
			9	1	7	7	3	3	8	8	4	1	2	3	
14	354858-451	BUTTONHOLER & FEED REGULATOR MECHANISM MOUNTING PLATE SCREW							X	X	X	X			X
15	445486	BUTTONHOLER BIGHT CONTROL CAM FOLLOWER LEVER LINK (RIGHT)							X	X	X	X			X
16	353215	BUTTONHOLER NEEDLE POSITION CAM FOLLOWER LEVER RETAINING RING							X	X	X	X			X
17	44547	BUTTONHOLER & FEED REGULATOR CONTROL DIAL PAWL SPRING							X	X	X	X			X
18	446259	FEED REGULATOR POSITIONING PIN CARRIER							X	X	X	X			X
19	44612	FEED REGULATOR POSITIONING FRICTION SPRING							X	X	X	X			X
20	353446	FEED REGULATOR POSITIONING PIN							X	X	X	X			X
21	445721	FEED REGULATOR POSITIONING PIN FRICTION SPRING RETAINING RING							X	X	X	X			X
)	354552-451	FEED REGULATOR CONTROL ARM MOUNTING BRACKET SCREW	X	X	X	X	X	X	X	X	X	X	X	X	X
23	445148	FEED REGULATOR CONTROL ARM ASSEMBLY	X	X	X	X	X	X	X	X	X	X	X	X	X
24	141913-451	BUTTONHOLER BIGHT CONTROL CAM FOLLOWER LEVER LINK (LEFT & RIGHT) SCREW							X	X	X	X			X
25	353529	BUTTONHOLER BIGHT CONTROL CAM FOLLOWER LEVER LINK (RIGHT)							X	X	X	X			X

PART LIST
FEED SYSTEM

REF.	PART NBR	DESCRIPTION	2	2	2	5	2	5	2	5	2	3	3	3
			4	4	4	4	6	6	8	8	0	0	0	0
			9	1	7	7	3	3	8	8	4	1	2	3
01	141925-833	FEED REGULATOR HINGE STUD SET SCREW	X	X	X	X	X	X	X	X	X	X	X	X
02	179991	FEED REGULATOR	X	X	X	X	X	X	X	X	X	X	X	X
03	445837	FEED REGULATOR SPRING	X	X	X	X	X	X	X	X	X	X	X	X
04	445767	FEED REGULATOR SPACER BUSHING	X	X	X	X	X	X	X	X	X	X	X	X
05	445955	FEED REGULATOR HINGE STUD COMPLETE	X	X	X	X	X	X	X	X	X	X	X	X
06	445766	FEED REGULATOR HINGE STUD	X	X	X	X	X	X	X	X	X	X	X	X
07	445860	FEED REGULATOR RETURN SPRING	X	X	X	X	X	X	X	X	X	X	X	X
08	445768	FEED REGULATOR RETURN SPRING SPACER (PLASTIC)	X	X	X	X	X	X	X	X	X	X	X	X
09	44437	FEED FORKED CONNECTING SLIDE BLOCK	X	X	X	X	X	X	X	X	X	X	X	X
10	445811	FEED FORKED CONNECTING	X	X	X	X	X	X	X	X	X	X	X	X
11	141805-850	FEED LIFTING ROCK SHAFT CONNECTING ROD HINGE SCREW ECCENTRIC	X	X	X	X	X	X	X	X	X	X	X	X
12	356028	FEED FORKED CONNECTING WITH SLIDE BLOCK	X	X	X	X	X	X	X	X	X	X	X	X
13	37288	FEED LIFTING ROCK SHAFT CONNECTING ROD	X	X	X	X	X	X	X	X	X	X	X	X
14	141808-452	FEED DOG SCREW	X	X	X	X	X	X	X	X	X	X	X	X
15	44505	FEED BAR SCREW CENTER WITH NUT CENTER	X	X	X	X	X	X	X	X	X	X	X	X
16	53647-819	FEED BAR SCREW CENTER NUT	X	X	X	X	X	X	X	X	X	X	X	X
17	141921-850	FEED BAR SCREW CENTER	X	X	X	X	X	X	X	X	X	X	X	X
18	445896	FEED DOG	X	X	X	X	X	X	X	X	X	X	X	X
18	44601	FEED BAR	X	X	X	X	X	X	X	X	X	X	X	X
20	445952	FEED ROCK SHAFT	X	X	X	X	X	X	X	X	X	X	X	X
21	179880-001	FEED ROCK SHAFT CENTER	X	X	X	X	X	X	X	X	X	X	X	X
22	141925-833	FEED ROCK SHAFT CENTER SET SCREW	X	X	X	X	X	X	X	X	X	X	X	X
23	53648-451	FEED LIFTING ROCK SHAFT HINGE SCREW NUT	X	X	X	X	X	X	X	X	X	X	X	X
24	446153	FEED LIFTING ROCK SHAFT	X	X	X	X	X	X	X	X	X	X	X	X
25	445764-900	FEED ROCK SHAFT COMPLETE	X	X	X	X	X	X	X	X	X	X	X	X

REF.	PART NBR	DESCRIPTION	PART LIST												
			2	3	3	3	3	2	5	2	5	2	5		
OPTIONS			4	1	7	7	3	3	8	8	4	1	2	3	5
01	445832	FACE PLATE GRILLE (FOR UK)								X	X				
02	116863	FINGER GUARD	X	X	X	X	X	X	X	X		X	X	X	X
03	445736-455	MOTOR BELT COVER (PLASTIC)	X	X	X	X	X	X	X	X	X	X	X	X	X
04	354792-452	MOTOR BELT COVER SCREW (LOWER)	X	X	X	X	X	X	X	X	X	X	X	X	X
05	354805-452	MOTOR BELT COVER SCREW (UPPER)	X	X	X	X	X	X	X	X	X	X	X	X	X
06	605087-001	HEAT SHIELD								X	X				
07	446263-454	BED EXTENSION PLATE (PLASTIC)	X	X	X	X	X	X	X	X	X	X	X	X	X
08	354966-451	BED EXTENSION PLATE SCREW	X	X	X	X	X	X	X	X	X	X	X	X	X

3102

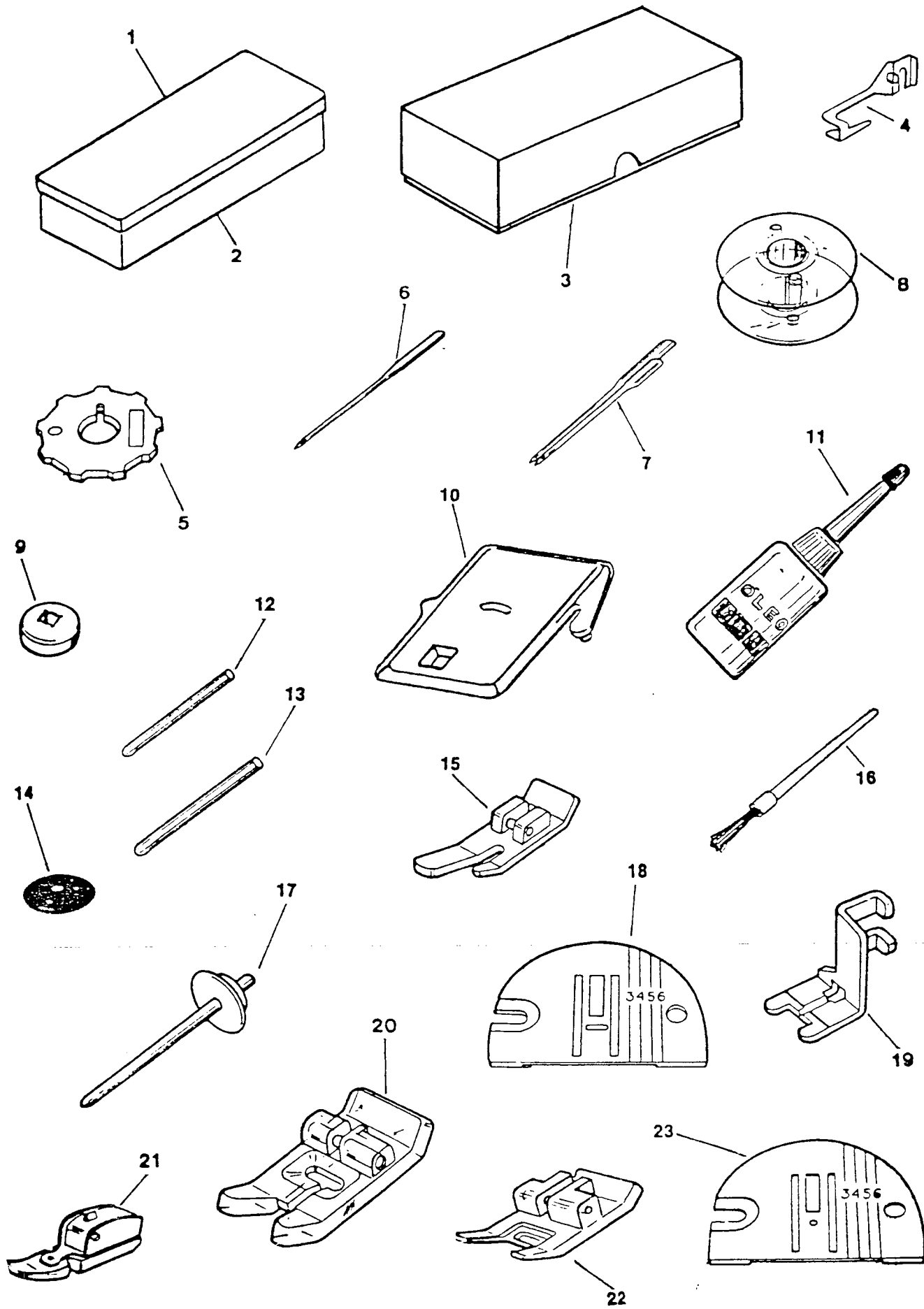
Filler plate: 8's . 968301
for Freeman
+ Cab. Hdure 967421

INDEX

Ray Hdure (= 85. 968121)

PAGE	DESCRIPTION
01 - 03	ATTACHMENT SET
04 - 05	ARM TOP COVER AND FACE PLATE
06 - 08	ARM TOP COVER AND CONTROL PANEL
09 - 11	NEEDLE BAR & THREAD TAKE - UP
12 - 14	PRESSER BAR
15 - 16	ARM SHAFT
17 - 18	HAND WHEEL
19 - 20	TENSION MECHANISM
21 - 22	BOBBIN WINDER
23 - 25	ROTATING HOOK, THROAT PLATE AND BED SLIDE
26 - 27	STITCH WIDTH
28 - 30	NEEDLE POSITION & DISC SELECTOR
31 - 32	CAM STACK
33 - 34	FEED REGULATOR
35 - 37	FEED REGULATOR WITH BUTTONHOLER
38 - 39	FEED SYSTEM
40 - 41	OPTIONS
42 - 43	ELECTRICAL INTERFACES

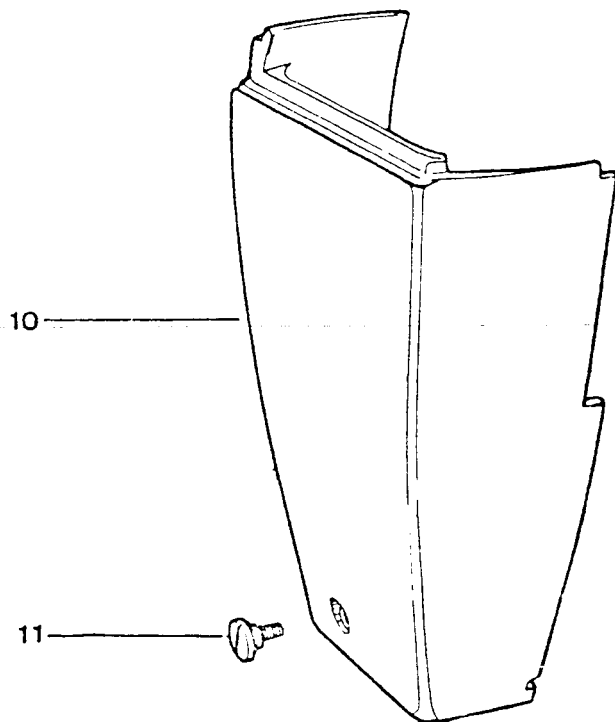
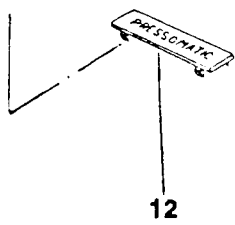
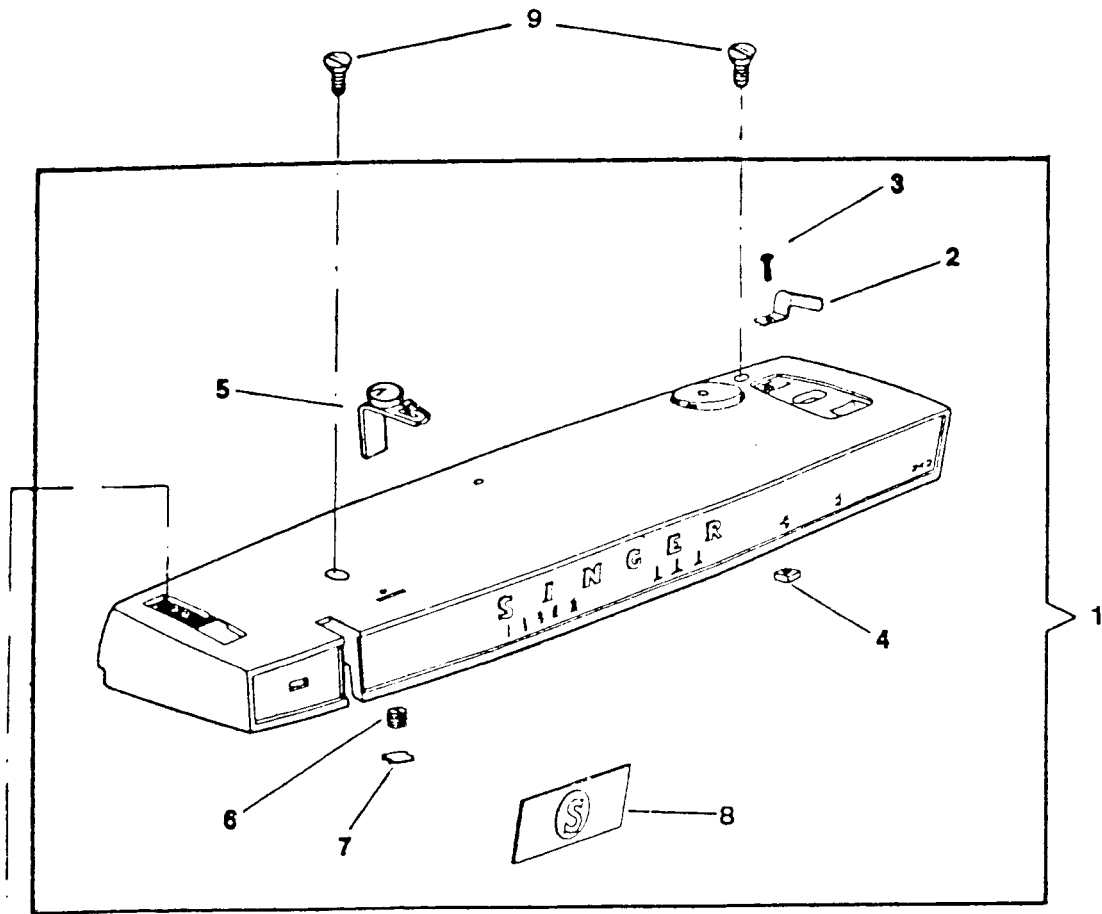
ATTACHMENT SET (OPTIONALS)



PART LIST
ATTACHMENT SET (OPTIONALS)

PART NBR	DESCRIPTION	2	2	2	5	2	5	2	5	4	1	1	1	1
		4	4	4	4	6	6	8	8	0	0	0	0	0
		9	1	7	7	3	3	8	8	4	1	2	3	5
01	446149-401 ATTACHMENT BOX COVER (OFF-BRAND)								X					
01	446149-454 ATTACHMENT BOX COVER	X	X	X		X		X			X	X	X	X
01	381287-452 ATTACHMENT BOX COVER FOR 30 DISC										X			
02	446148-454 ATTACHMENT BOX BASE	X	X	X	X	X		X			X	X	X	X
02	381286-452 ATTACHMENT BOX BASE FOR 30 DISC										X			
03	276785-451 ATTACHMENT BOX (CARD BOARD BOX)							X		X				
04	381213 BLIND STITCH GUIDE							X	X	X	X	X		X
05	276301 DISC N# 1 (PLAIN ZIG-ZAG STITCH)									X	X	X		
05	276302 DISC N# 2 (MULTI ZIG-ZAG STITCH)									X	X	X		
05	171340 DISC N# 3/350 (BLIND STITCH)											X		
05	276304 DISC N# 4 (SCALLOP STITCH)									X	X	X		
05	276305 DISC N# 5 (ARROWHEAD STITCH)									X	X	X		
05	276306 DISC N# 6 (DOMINO STITCH)											X		
05	276307 DISC N# 7 (SHELL STITCH)									X	X	X		
05	171342 DISC N# 8/352 (SOLID SCALLOP STC.)											X		
05	276309 DISC N# 9 (ICICLE STITCH)											X		
05	276310 DISC N# 10 (BANNER STITCH)											X		
05	276311 DISC N# 11 (KEY STITCH)									X	X	X		
05	276312 DISC N# 12 (WALLS OF TROY)									X	X	X		
05	276313 DISC N# 13 (DIAMOND STITCH)											X		
05	276314 DISC N# 14 (ZIG-ZAG POINTS STC.)											X		
05	276315 DISC N# 15 (LONG OBLIQUE STITCH)											X		
05	276316 DISC N# 16 (SHINGLE STITCH)											X		
05	276317 DISC N# 17 (PENNANT STITCH)											X		
05	276318 DISC N# 18 (THREE STEP STITCH)											X		
05	276319 DISC N# 19 (BALL STITCH)											X		
05	276320 DISC N# 20 (CURVE MENDING STITCH)											X		
05	276322 DISC N# 22 (SEMAPHORE STITCH)											X		
05	276323 DISC N# 23 (SOLID PYRAMID STITCH)											X		
05	276325 DISC N# 25 (SPINY STITCH)											X		
05	276326 DISC N# 26 (BLOCK STITCH)									X	X	X		
05	276327 DISC N# 27 (FAGGOTING STITCH)											X		
05	276328 DISC N# 28 (COMB STITCH)											X		
05	276329 DISC N# 29 (PAVILLON STITCH)											X		
05	276330 DISC N# 30 (PLATFORM STITCH)									X	X	X		
05	171341 DISC N# 31/351 (CRESCENT STITCH)									X	X	X		
05	276337 DISC N# 37 (ALPINE STITCH)											X		

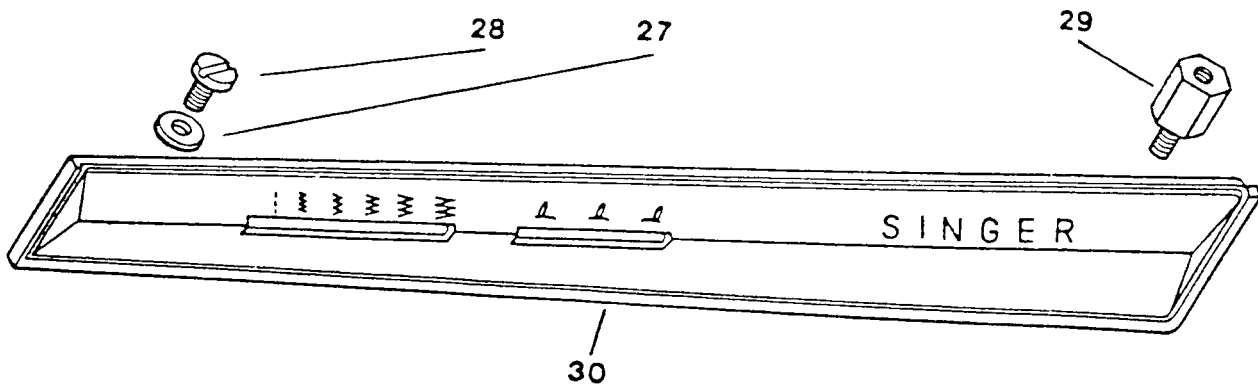
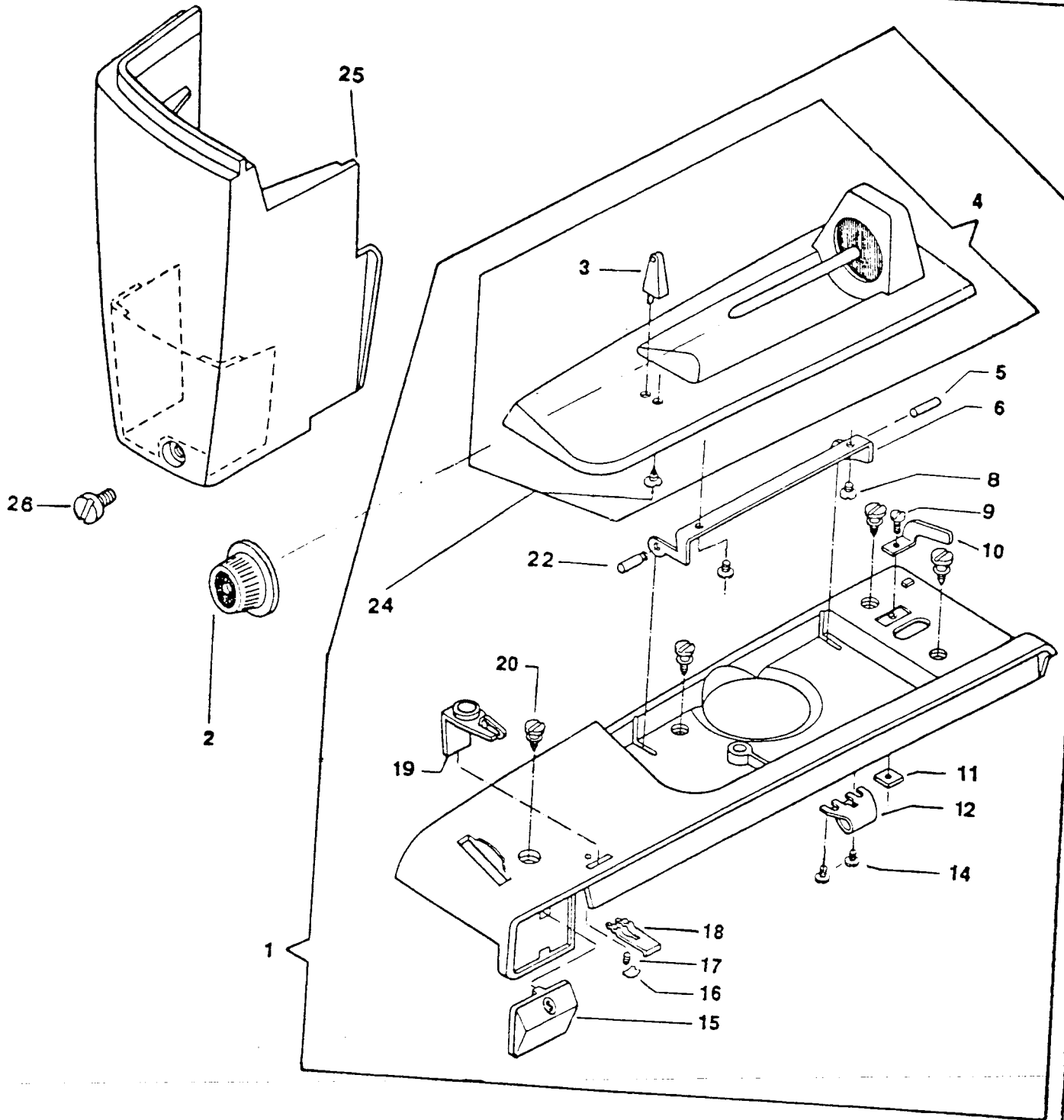
ARM TOP COVER AND FACE PLATE



PART LIST															
ARM TOP COVER AND FACE PLATE			2	2	2	5	2	5	2	5	4	1	1	1	1
REF.	PART NBR	DESCRIPTION	4	4	4	4	6	6	8	8	0	0	0	0	0
			9	1	7	7	3	3	8	8	4	1	2	3	5
01	SK3548*	ARM TOP COVER COMPLETE		X											
01	531528*	ARM TOP COVER COMPLETE					X								
01	531545*	ARM TOP COVER COMPLETE						X							
01	531550*	ARM TOP COVER COMPLETE							X						
01	531561*	ARM TOP COVER COMPLETE								X					
01	SK3553*	ARM TOP COVER COMPLETE		X											
01	SK3534*	ARM TOP COVER COMPLETE												X	
01	SK3539* 531975-454	ARM TOP COVER COMPLETE													X
01	SK3542*	ARM TOP COVER COMPLETE													X
01	531989-459 SK3545*	ARM TOP COVER COMPLETE													X
02	444746	BOBBIN WINDER STOP	X	X	X	X	X	X	X			X	X	X	X
03	141920-453	BOBBIN WINDER STOP SCREW	X	X	X	X	X	X	X			X	X	X	X
04	53640-819	BOBBIN WINDER STOP SCREW NUT	X	X	X	X	X	X	X			X	X	X	X
05	44368	BOBBIN WINDER TENSION & THREAD GUIDE	X	X	X	X	X	X	X			X	X	X	X
06	141936-833	BOBBIN WINDER TENSION BRACKET ADJUSTING SCREW	X	X	X	X	X	X	X			X	X	X	X
07	44794	BOBBIN WINDER TENSION BRACKET ADJUSTING SCREW RETAINING CLIP	X	X	X	X	X	X	X			X	X	X	X
08	44902*	ARM TOP COVER MEDALLION FRAME	X	X	X	X	X	X	X			X	X	X	X
09	354919-453	ARM TOP COVER SCREW	X	X	X	X	X	X	X			X	X	X	X
10	445825-456	FACE PLATE	X	X	X	X	X	X	X			X	X	X	X
11	354826-453	FACE PLATE SCREW	X	X	X	X	X	X	X			X	X	X	X
12	531641-452	ARM TOP COVER INSERT	X												

* INDICATE DESIRED COLOR

ARM TOP COVER AND CONTROL PANEL



PART LIST
ARM TOP COVER AND CONTROL PANEL

2 2 2 5 2 5 2 5 4 1 1 1 1
4 4 4 4 6 6 8 8 0 0 0 0 0
9 1 7 7 3 3 8 8 4 1 2 3 5

REF.	PART NBR	DESCRIPTION											
01	531540-451	ARM TOP COVER COMPLETE (SILVER METALIC)*											X
01	531540-452	ARM TOP COVER COMPLETE (ACORN)											X
01	531540-453	ARM TOP COVER COMPLETE (H.BLUE)											X
01	531540-45Y	ARM TOP COVER COMPLETE (BLACK)											X
01	353506-4R2	ARM TOP COVER COMPLETE (CORAL ROSE)											X
01	445621-45X	ARM TOP COVER COMPLETE (RED) FOR COLUMBIA											X
02	179967-453	SPOOL PIN LEAD OFF											X X X
03	445126-452	ARM TOP COVER LID THREAD GUIDE											X X X
04	531539-451	ARM TOP COVER LID											X X X
05	445573	ARM TOP COVER LID HINGE PIN (RIGHT)											X X X
06	445572-453	ARM TOP COVER LID HINGE											X X X
08	SK3588	ARM TOP COVER LID HINGE SCREW											X X X
09	141920-453	BOBBIN WINDER STOP SCREW											X X X
10	44648	BOBBIN WINDER STOP											X X X
11	53640-819	BOBBIN WINDER STOP SCREW NUT											X X X
12	445575	ARM TOP COVER HINGE SPRING (RIGHT)											X X X
14	SK3588	ARM TOP COVER HINGE SPRING SCREW											X X X
15	445577-456	MEDALLION COMPLETE (H.BLUE)											X
15	445577-458	MEDALLION COMPLETE (SILVER METALIC)*											X
15	445577-PRO	MEDALLION COMPLETE (CORAL ROSE)											X
15	445577-455	MEDALLION COMPLETE (ACORN)											X
15	445577-45Y	MEDALLION COMPLETE (BLACK)											X
15	445577-45X	MEDALLION COMPLETE (RED)											X
16	44794	BOBBIN WINDER TENSION BRACKET ADJUSTING SCREW RETAINING CLIP											X X X
17	141936-833	BOBBIN WINDER TENSION BRACKET ADJUSTING SCREW											X X X

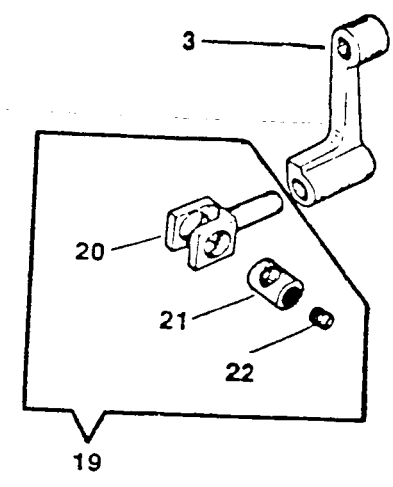
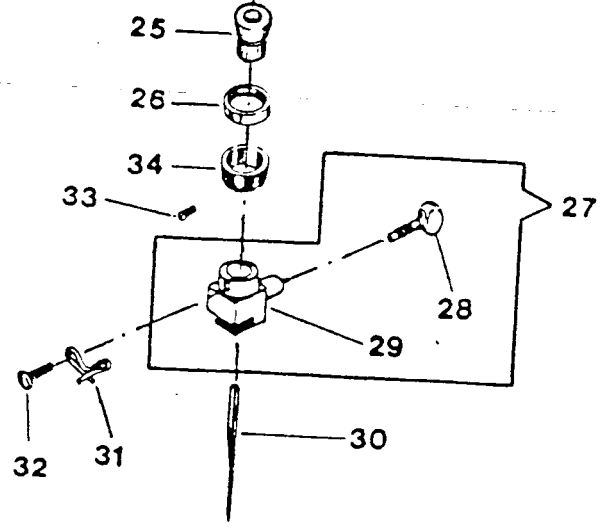
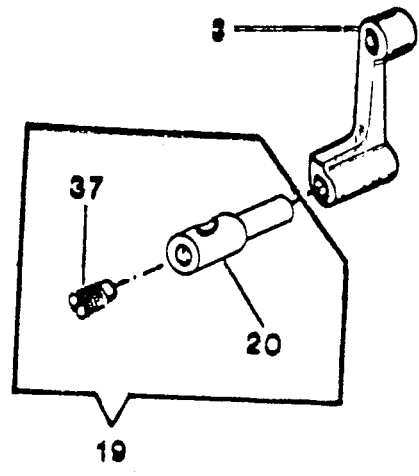
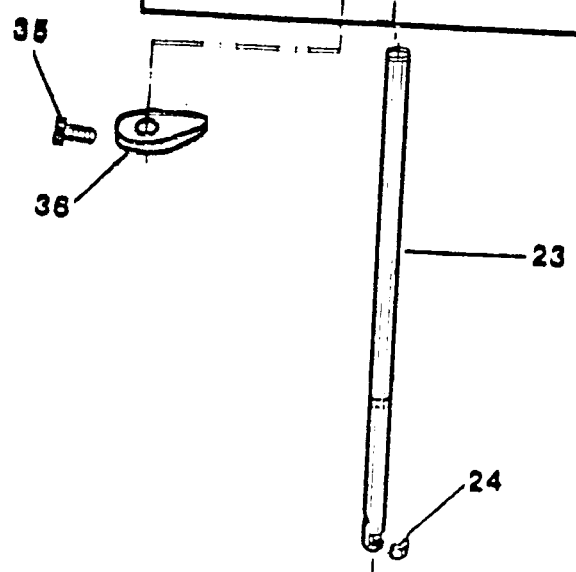
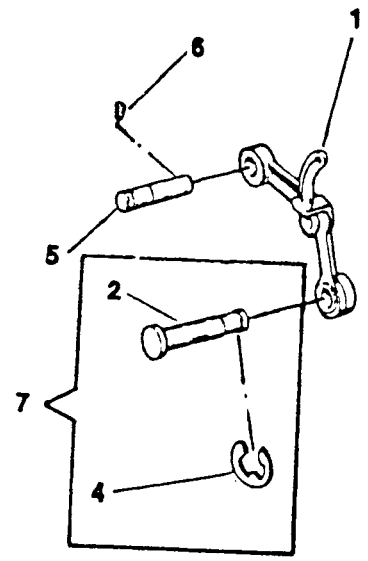
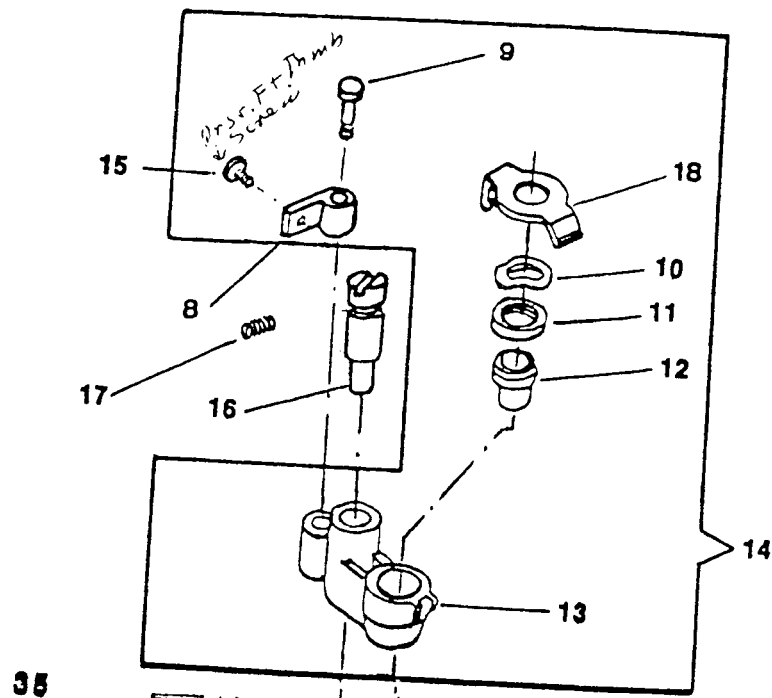
PART LIST

ARM TOP COVER AND CONTROL PANEL (CONT.)

REF.	PART NBR	DESCRIPTION	2	2	2	5	2	5	2	5	4	1	1	1	1
			4	4	4	4	6	6	8	8	0	0	0	0	0
			9	1	7	7	3	3	8	8	4	1	2	3	5
18	445574	ARM TOP COVER LID HINGE SPRING (LEFT)									X	X	X		
19	44368	BOBBIN WINDER TENSION & THREAD GUIDE									X	X	X		
20	354920-453	ARM TOP COVER SCREW									X	X	X		
22	446000	ARM TOP COVER LID HINGE PIN (LEFT)									X	X	X		
24	354810-451	ARM TOP COVER LID THREAD GUIDE SCREW									X	X	X		
25	445581-451	FACE PLATE									X	X	X		
26	354133-453	FACE PLATE SCREW									X	X	X		
27	445765	CONTROL PANEL SCREW (LEFT) WASHER									X	X	X		
28	354552-451	CONTROL PANEL SCREW (LEFT)									X	X	X		
29	354710-451	CONTROL PANEL SCREW (RIGHT)									X	X	X		
30	531599-451	CONTROL PANEL (FOR 2405 M/C ONLY)									*				
30	531541-451	CONTROL PANEL (SILVER METALIC)									X				
30	531556-451	CONTROL PANEL (ACORN)										X			
30	531556-452	CONTROL PANEL (H. BLUE)										X			
30	531541-45Y	CONTROL PANEL (BLACK)									X				
30	353503-451	CONTROL PANEL (CORAL ROSE)											X		
30	445631-45X	CONTROL PANEL (RED)									X				

* ALSO FOR 2405C M/C

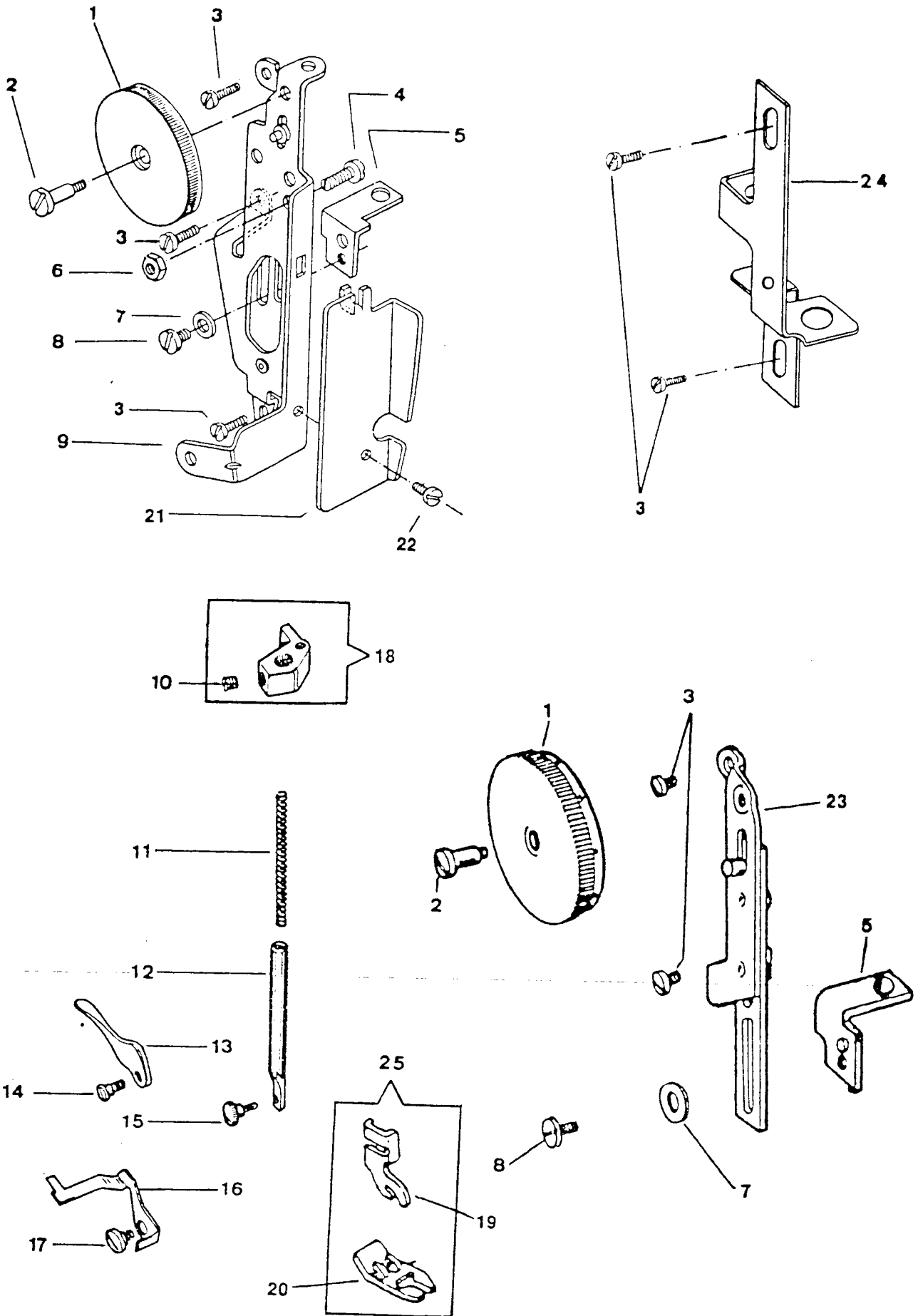
NEEDLE BAR & THREAD TAKE-UP



PART LIST
NEEDLE BAR & THREAD TAKE-UP (CONT.)

FART REF. NBR	DESCRIPTION	2	2	2	5	2	5	2	5	4	3	1	1	1	1	3
		4	4	4	4	6	8	8	8	0	0	0	0	0	0	0
		9	1	7	7	3	3	8	8	4	1	2	3	3	5	
21	37931 NEEDLE BAR CONNECTING STUD HINGE PIN	X	X	X	X	X	X	X	X	X	X	X	X	X	X	X
22	141916-833 NEEDLE BAR CLAMPING SCREW	X	X	X	X	X	X	X	X	X	X	X	X	X	X	X
23	37926 NEEDLE BAR	X	X	X	X	X	X	X	X	X	X	X	X	X	X	X
24	37943 NEEDLE BAR GIB	X	X	X	X	X	X	X	X	X	X	X	X	X	X	X
25	446355 NEEDLE BAR BALL BUSHING (UPPER)	X	X	X	X	X	X	X	X	X	X	X	X	X	X	X
26	507379 NEEDLE BAR BALL BUSHING (UPPER) SOCKET	X	X	X	X	X	X	X	X	X	X	X	X	X	X	X
27	445790 NEEDLE CLAMP COMPLETE	X	X	X	X	X	X	X	X	X	X	X	X	X	X	X
27	445143 NEEDLE CLAMP COMPLETE	X														
28	141942-825 NEEDLE THUMB SCREW	X	X	X	X	X	X	X	X	X	X	X	X	X	X	X
29	445815 NEEDLE CLAMP BODY	X	X	X	X	X	X	X	X	X	X	X	X	X	X	X
29	445142 NEEDLE CLAMP BODY	X														
30	N2045 NEEDLE (SIZE N# 14)	X	X	X	X	X	X	X	X	X	X	X	X	X	X	X
31	445756 NEEDLE CLAMP THREAD GUIDE	X	X	X	X	X	X	X	X	X	X	X	X	X	X	X
32	141808-451 NEEDLE CLAMP BODY, NEEDLE CLAMP THREAD GUIDE & NEEDLE STOP SCREW	X	X	X	X	X	X	X	X	X	X	X	X	X	X	X
33	141803-830 NEEDLE BAR BALL BUSHING (LOWER) ADJUSTING SCREW SET SCREW	X	X	X	X	X	X	X	X	X	X	X	X	X	X	X
34	44473 NEEDLE BAR BALL BUSHING (LOWER) ADJUSTING SCREW	X	X	X	X	X	X	X	X	X	X	X	X	X	X	X
35	354592-451 NEEDLE BAR VIBRATING BRACKET HINGE PIN (ECCENTRIC) COLLAR SCREW	X	X	X	X	X	X	X	X	X	X	X	X	X	X	X
36	445406 NEEDLE BAR VIBRATING BRACKET HINGE PIN (ECCENTRIC) COLLAR	X	X	X	X	X	X	X	X	X	X	X	X	X	X	X
37	354105-833 NEEDLE BAR CLAMPING SCREW	X														

PRESSER BAR

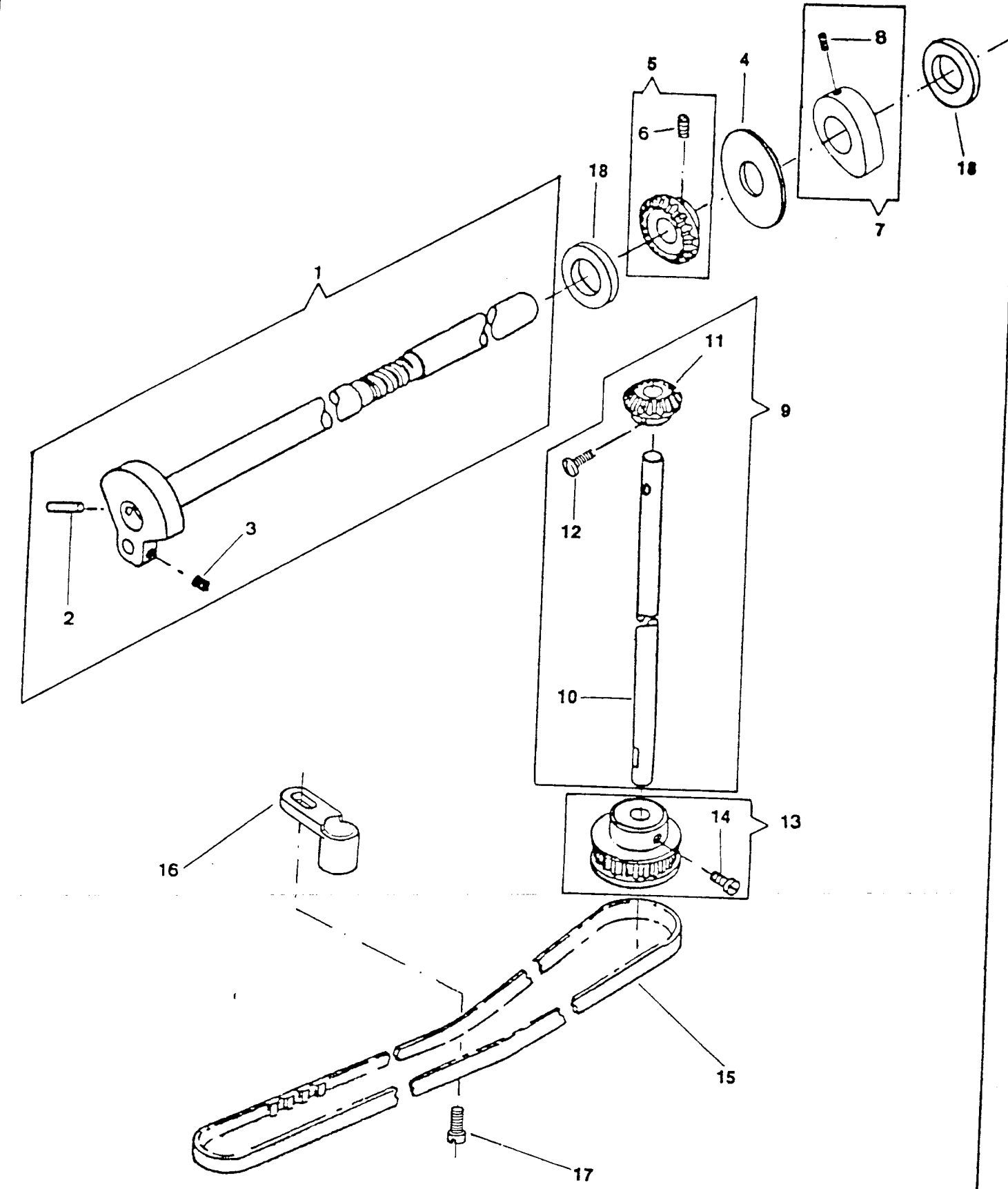


PART LIST															
PRESSER BAR			2	2	2	5	2	5	2	5	4	3	3	3	3
REF.	PART NBR	DESCRIPTION	4	4	4	4	6	6	8	8	0	0	0	0	0
			9	1	7	7	3	3	8	8	4	1	2	3	5
01	445225-473	PRESSER BAR PRESSURE REGULATING KNOB (PLASTIC)	X	X	X	X	X	X	X	X	X	X	X	X	X
02	141941-451	PRESSER BAR PRESSURE REGULATING KNOB SCREW	X	X	X	X	X	X	X	X	X	X	X	X	X
03	354826-451	PRESSER BAR PRESSURE REGULATING KNOB BRACKET SCREW	X	X	X	X	X	X	X	X	X	X	X	X	X
04	141808-452	ARM TOP COVER HANDLE HINGE PIN BRACKET (RIGHT) RETAINING SCREW							X	X	X				
05	446741	PRESSER BAR SPRING ADJUSTING BRACKET	X	X	X	X	X	X	X	X	X	X	X	X	X
06	514698-451	SLACK THREAD REGULATOR & TENSION THREAD GUIDE SCREW NUT							X	X	X				
07	445765	PRESSER BAR SPRING ADJUSTING BRACKET SCREW WASHER	X	X	X	X	X	X	X	X	X	X	X	X	X
08	354552-451	PRESSER BAR SPRING ADJUSTING BRACKET SCREW	X	X	X	X	X	X	X	X	X	X	X	X	X
09	445594	PRESSER BAR PRESSURE REGULATING KNOB BRACKET							X	X	X				
10	141925-833	TENSION STUD SET SCREW	X	X	X	X	X	X	X	X	X	X	X	X	X
11	444803	PRESSER BAR SPRING	X	X	X	X	X	X	X	X	X	X	X	X	X
11	SK3556	PRESSER BAR SPRING	X												
12	446030	PRESSER BAR	X	X	X	X	X	X	X	X	X	X	X	X	X
12	SK2254	PRESSER BAR	X												
13	44445	PRESSER BAR LIFTER	X	X	X	X	X	X	X	X	X	X	X	X	X
13	SK1758-002	PRESSER BAR LIFTER (PLASTIC)	X												
14	141846-451	PRESSER BAR LIFTER HINGE SCREW	X	X	X	X	X	X	X	X	X	X	X	X	X
14	354860-451	PRESSER BAR LIFTER (PLASTIC) HINGE SCREW	X												

PART LIST
PRESSER BAR (CONT.)

EF.	PART NBR	DESCRIPTION	2 3 3 3 3														
			2	2	2	5	2	5	2	5	4	1	1	1	1	1	
			4	4	4	4	6	6	8	8	0	0	0	0	0		
			9	1	7	7	3	3	8	8	4	1	2	3	5		
15	354135-452	PRESSER FOOT THUMB SCREW	X	X	X	X	X	X	X	X	X	X	X	X	X		
16	37985	TENSION RELEASING LEVER	X	X	X	X	X	X	X	X	X	X	X	X	X		
17	354543-451	TENSION RELEASING LEVER HINGE SCREW	X	X	X	X	X	X	X	X	X	X	X	X	X		
18	445291	PRESSER BAR GUIDE BRACKET WITH SCREW	X	X	X	X	X	X	X	X	X	X	X	X	X		
18	SK3570	PRESSER BAR GUIDE BRACKET WITH SCREW	X														
19	155964	PRESSER FOOT SHANK (SNAP-ON)	X	X	X	X	X	X	X	X	X	X	X	X	X		
20	155962	PRESSER FOOT PLATE (SNAP-ON) FOR ZIG-ZAG SEWING	X	X	X	X	X	X	X	X	X	X	X	X	X		
21	445604	FACE PLATE SUPPORTE BRACKET							X	X	X						
22	141920-451	SUPPORTE BRACKET SCREW							X	X	X						
23	445227	PRESSER BAR PRESSURE REGULATING KNOB BRACKET	X	X	X	X	X					X	X	X	X		
24	SK3508	PRESSER BAR SPRING BRACKET	X														
25	445464	PRESSER FOOT COMPLETE (ZIG-ZAG SEWING)	X	X	X	X	X	X	X	X	X	X	X	X	X		
25	32773	PRESSER FOOT COMPLETE	X														

ARM SHAFT



PART LIST

ARM SHAFT

2 3 3 3 3

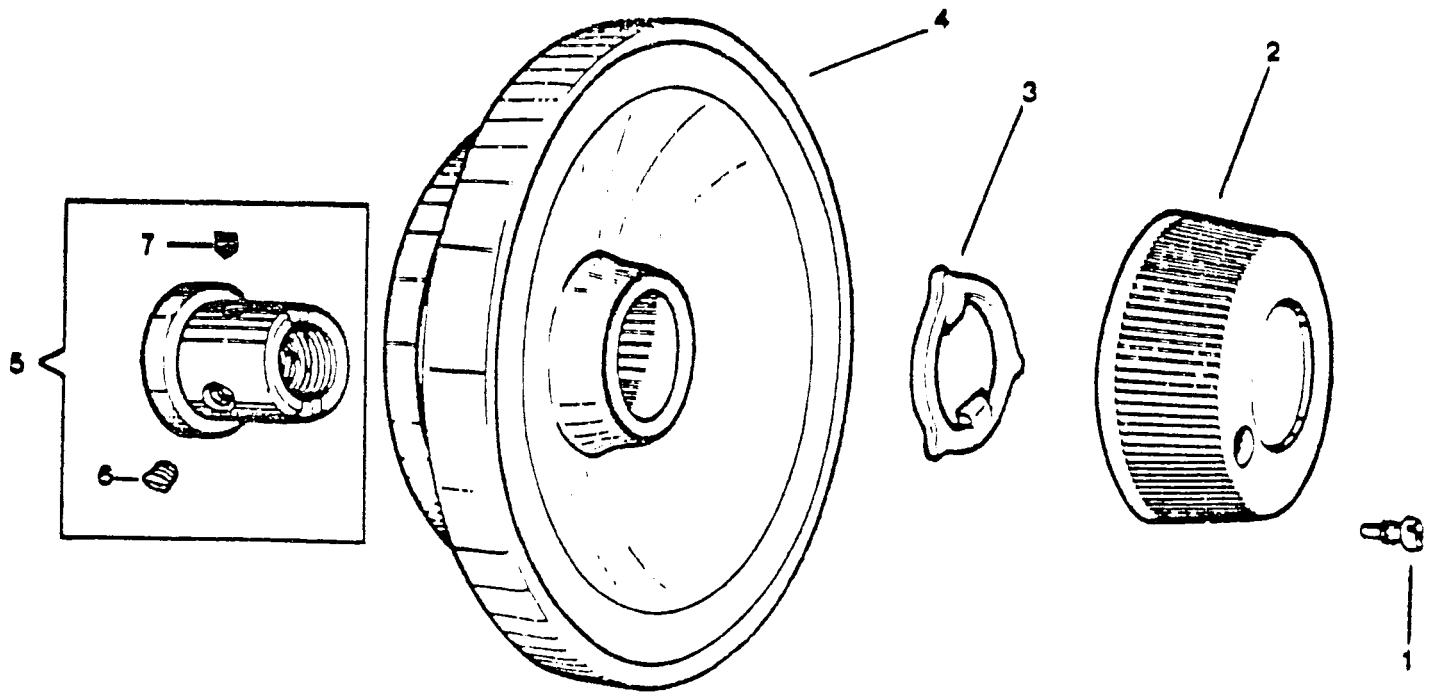
2 2 2 5 2 5 2 5 4 1 1 1 1
 4 4 4 4 6 6 8 8 0 0 0 0 0
 9 1 7 7 3 3 8 8 4 1 2 3 5

REF. PART
 NBR

DESCRIPTION

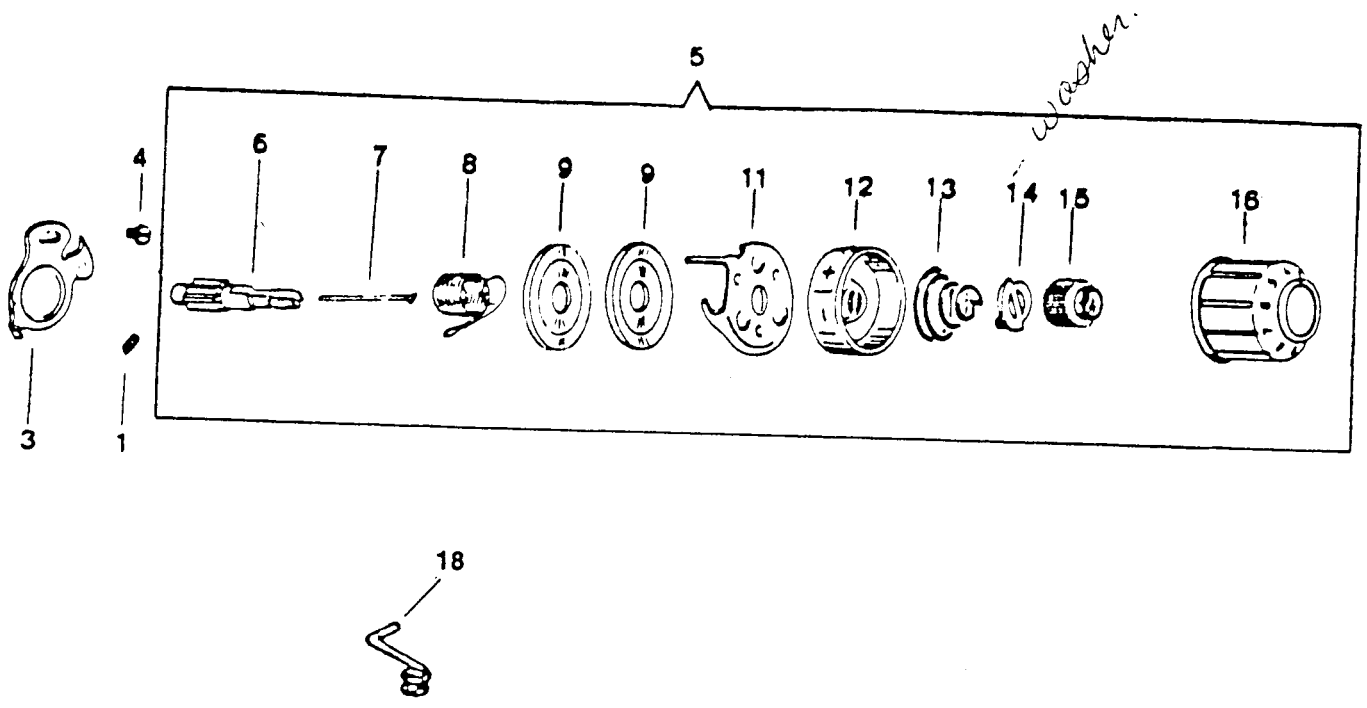
REF. NBR	PART NBR	DESCRIPTION	2	3	3	3	3	4	1	1	1	1
01	445777	ARM SHAFT HORIZONTAL COMPLETE	X	X	X	X	X	X	X	X	X	X
01	SK3088	ARM SHAFT HORIZONTAL COMPLETE	X									
02	445898	NEEDLE BAR CRANK PIN	X	X	X	X	X	X	X	X	X	X
03	354105-833	THREAD TAKE-UP STUD SET SCREW	X	X	X	X	X	X	X	X	X	X
04	37284-001	FEED FORKED CONNECTION RETAINING WASHER	X	X	X	X	X	X	X	X	X	X
05	319695	ARM SHAFT HORIZONTAL BEVEL GEAR WITH SCREW	X	X	X	X	X	X	X	X	X	X
06	354813-451	ARM SHAFT HORIZONTAL BEVEL GEAR SET SCREW	X	X	X	X	X	X	X	X	X	X
07	179993	FEED CAM COMPLETE	X	X	X	X	X	X	X	X	X	X
08	354813-451	FEED CAM SET SCREW	X	X	X	X	X	X	X	X	X	X
09	445491	ARM SHAFT UPRIGHT COMPLETE	X	X	X	X	X	X	X	X	X	X
10	445816	ARM SHAFT UPRIGHT	X	X	X	X	X	X	X	X	X	X
11	445817	ARM SHAFT UPRIGHT BEVEL GEAR	X	X	X	X	X	X	X	X	X	X
12	354826-451	ARM SHAFT UPRIGHT BEVEL GEAR SET SCREW	X	X	X	X	X	X	X	X	X	X
13	445543	ARM SHAFT UPRIGHT BELT DRIVE PULLEY WITH SCREW	X	X	X	X	X	X	X	X	X	X
14	354906-451	PULLEY SET SCREW	X	X	X	X	X	X	X	X	X	X
15	37977	ROTATING HOOK DRIVE BELT	X	X	X	X	X	X	X	X	X	X
16	531630	TENSION ADJUSTER	X	X	X	X	X	X	X	X	X	X
17	354316-451	TENSION ADJUSTER SCREW	X	X	X	X	X	X	X	X	X	X
18	319764	NEEDLE BAR CRANK WASHER (PLASTIC)	X	X	X	X	X	X	X	X	X	X

HAND WHEEL



PART LIST			2	2	2	5	2	5	2	5	4	1	1	1	1
HAND WHEEL			4	4	4	4	6	6	8	8	0	0	0	0	0
PART	REF. NBR	DESCRIPTION	9	1	7	7	3	3	8	8	4	1	2	3	5
01	141914-453	CLAMP STOP MOTION CLAMP STOP SCREW	X	X	X	X	X	X	X	X	X	X	X	X	X
02	44468-454	CLAMP STOP MOTION CLAMP SCREW	X	X	X	X	X	X	X	X	X	X	X	X	X
03	44464	HAND WHEEL CLAMPING WASHER	X	X	X	X	X	X	X	X	X	X	X	X	X
04	445489-456	HAND WHEEL (CAST IRON)	X	X	X	X	X	X	X	X	X	X	X	X	X
04	531898-451	HAND WHEEL (PLASTIC)	X	X	X	X	X	X	X	X	X	X	X	X	X
05	<u>044679-650</u>	CLAMP STOP MOTION FLANGED BUSHING COMPLETE	X	X	X	X	X	X	X	X	X	X	X	X	X
06	141916-833	CLAMP STOP MOTION FLANGED BUSHING SET SCREW	X	X	X	X	X	X	X	X	X	X	X	X	X
07	141915-833	CLAMP STOP MOTION FLANGED BUSHING POSITIONING SCREW	X	X	X	X	X	X	X	X	X	X	X	X	X

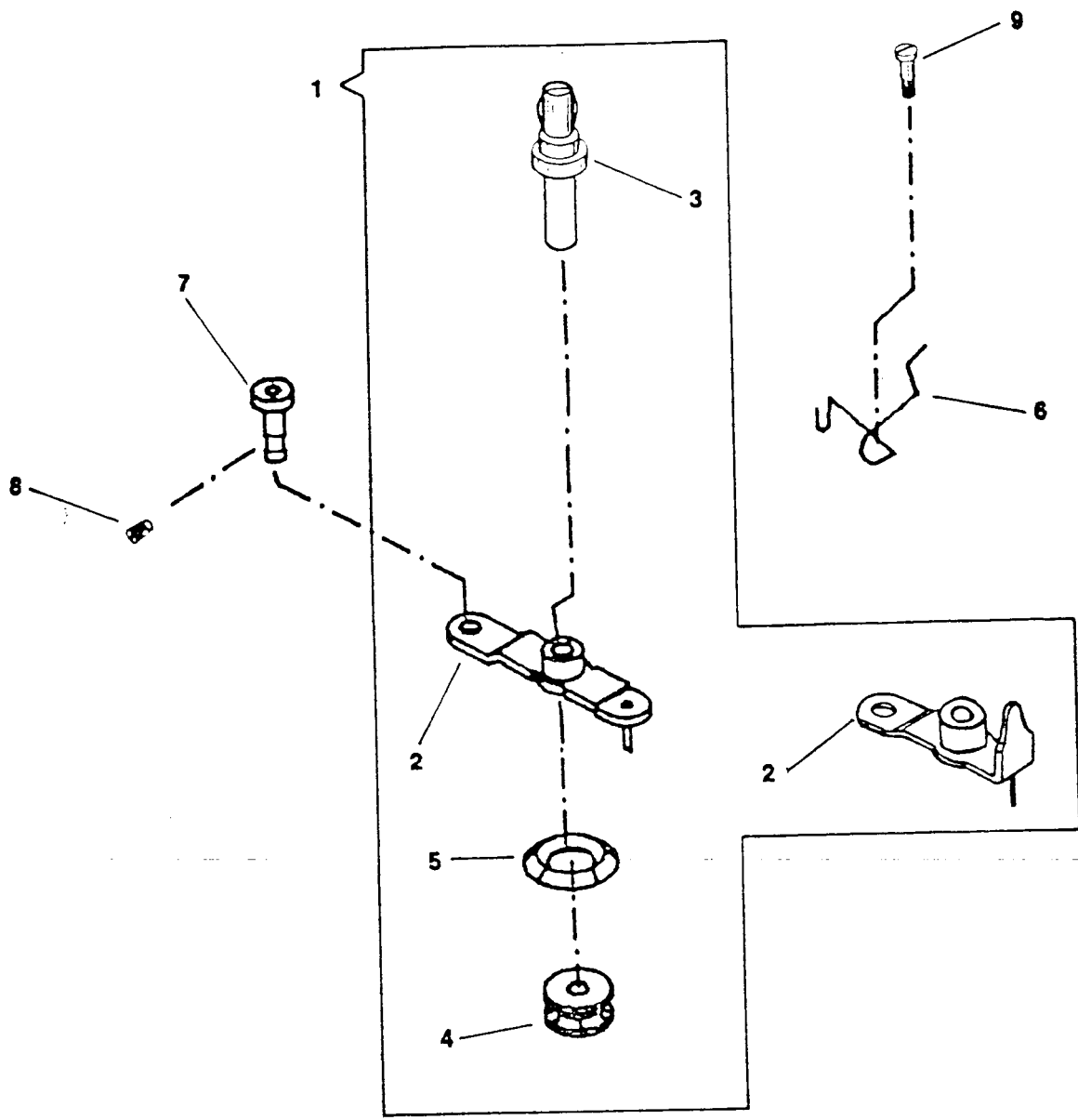
TENSION MECHANISM



PART LIST
TENSION MECHANISM

REF.	PART NBR	DESCRIPTION	2	2	2	5	2	5	2	5	2	3	3	3	3
			4	4	4	4	6	6	8	8	0	0	0	0	0
			9	1	7	7	3	3	8	8	4	1	2	3	5
✓01	141938-833 141803-830	TENSION STUD SET SCREW	X	X	X	X	X	X	X	X	X	X	X	X	X
03	353249	SLACK THREAD REGULATOR & TENSION THREAD GUIDE	X	X	X	X	X	X	X	X	X	X	X	X	X
04	141808-451	SLACK THREAD REGULATOR & TENSION THREAD GUIDE SCREW	X	X	X	X	X	X	X	X	X	X	X	X	X
05	446323-480 044635-477	TENSION MOUNTING BRACKET COMPLETE	X	X	X	X	X	X	X	X	X	X	X	X	X
06	446333	TENSION STUD	X	X	X	X	X	X	X	X	X	X	X	X	X
07	446331	TENSION RELEASING PIN	X	X	X	X	X	X	X	X	X	X	X	X	X
08	353248	THREAD TAKE-UP SPRING	X	X	X	X	X	X	X	X	X	X	X	X	X
✓09	2102-001	TENSION DISC	X	X	X	X	X	X	X	X	X	X	X	X	X
11	353250	THREAD TAKE-UP SPRING THREAD GUARD	X	X	X	X	X	X	X	X	X	X	X	X	X
12	44879- AKO 498	TENSION SPRING CUP	X	X	X	X	X	X	X	X	X	X	X	X	X
13	125314	TENSION SPRING	X	X	X	X	X	X	X	X	X	X	X	X	X
14	37984-219	TENSION MOUNTING BRACKET	X	X	X	X	X	X	X	X	X	X	X	X	X
15	446126	TENSION INDICATOR ADAPTER	X	X	X	X	X	X	X	X	X	X	X	X	X
16	445054- 012 020	TENSION INDICATOR DIAL	X	X	X	X	X	X	X	X	X	X	X	X	X
18	445784	THREAD GUIDE (LOWER)	X	X	X	X	X	X	X	X	X	X	X	X	X

BOBBIN WINDER



PART LIST
BOBBIN WINDER

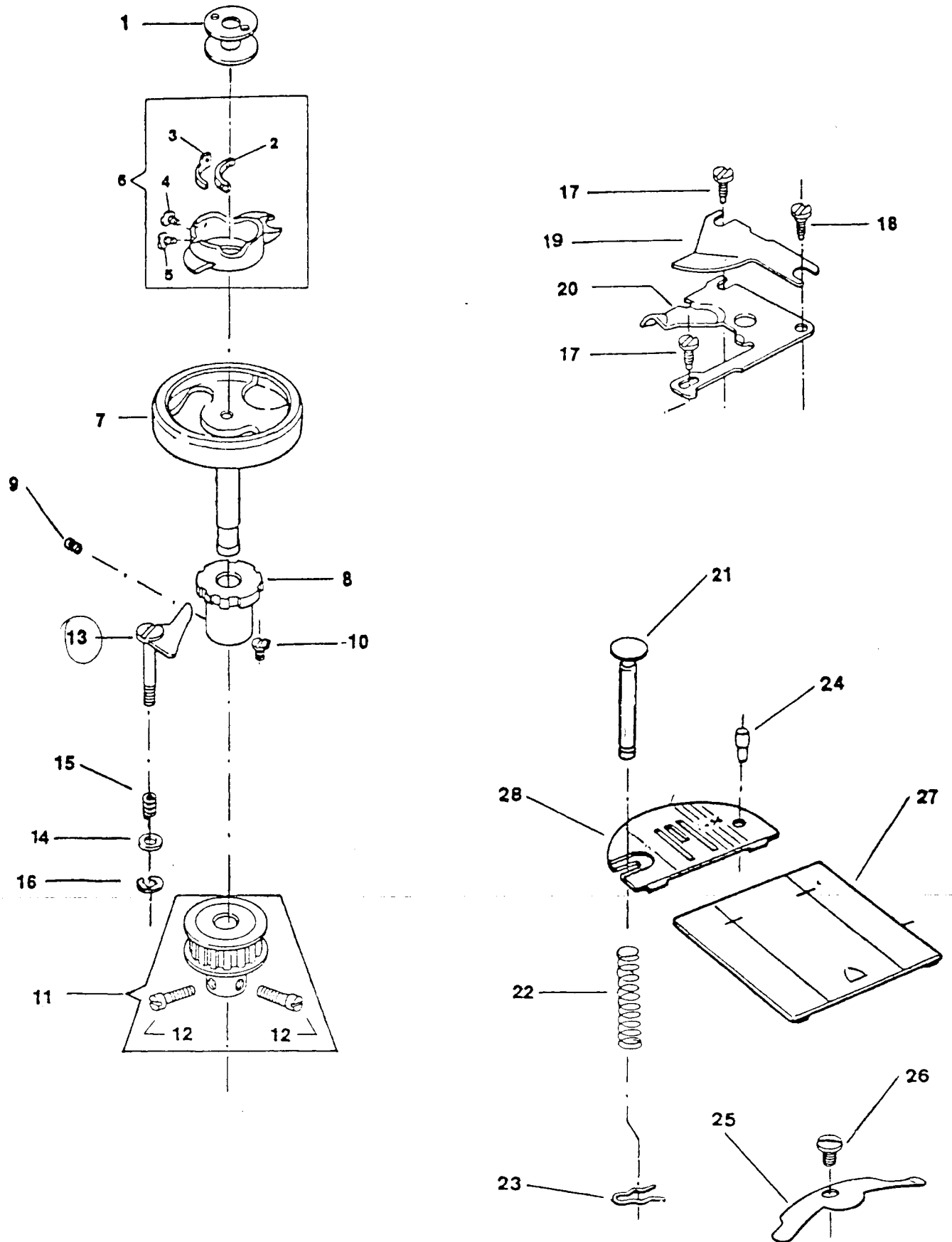
2 2 2 5 2 5 2 5 4 1 1 1 1
4 4 4 4 6 6 8 8 0 0 0 0 0
9 1 7 7 3 3 8 8 4 1 2 3 5

PART
NBR

DESCRIPTION

PART NBR	DESCRIPTION	2	2	2	5	2	5	2	5	4	1	1	1	1
01	353423 BOBBIN WINDER COMPLETE									X	X	X		
01	353420 BOBBIN WINDER COMPLETE	X	X	X	X	X	X						X	X
02	353422 BOBBIN WINDER FRAME WITH PIN									X	X	X		
02	353419 BOBBIN WINDER FRAME WITH PIN	X	X	X	X	X	X						X	X
03	445217 BOBBIN WINDER SPINDLE COMPLETE									X	X	X		
03	445214 BOBBIN WINDER SPINDLE COMPLETE	X	X	X	X	X	X						X	X
504	44440-701 BOBBIN WINDER PULLEY (PLASTIC)	X	X	X	X	X	X	X	X	X	X	X	X	X
505	15287- ⁷¹⁷ 701 BOBBIN WINDER FRICTION RING	X	X	X	X	X	X	X	X	X	X	X	X	X
06	445613 BOBBIN WINDER SPRING	X	X	X	X	X	X	X	X	X	X	X	X	X
07	445785 BOBBIN WINDER HINGE STUD	X	X	X	X	X	X	X	X	X	X	X	X	X
08	141803-830 BOBBIN WINDER HINGE SET SCREW	X	X	X	X	X	X	X	X	X	X	X	X	X
09	354552-451 BOBBIN WINDER SPRING SCREW	X	X	X	X	X	X	X	X	X	X	X	X	X

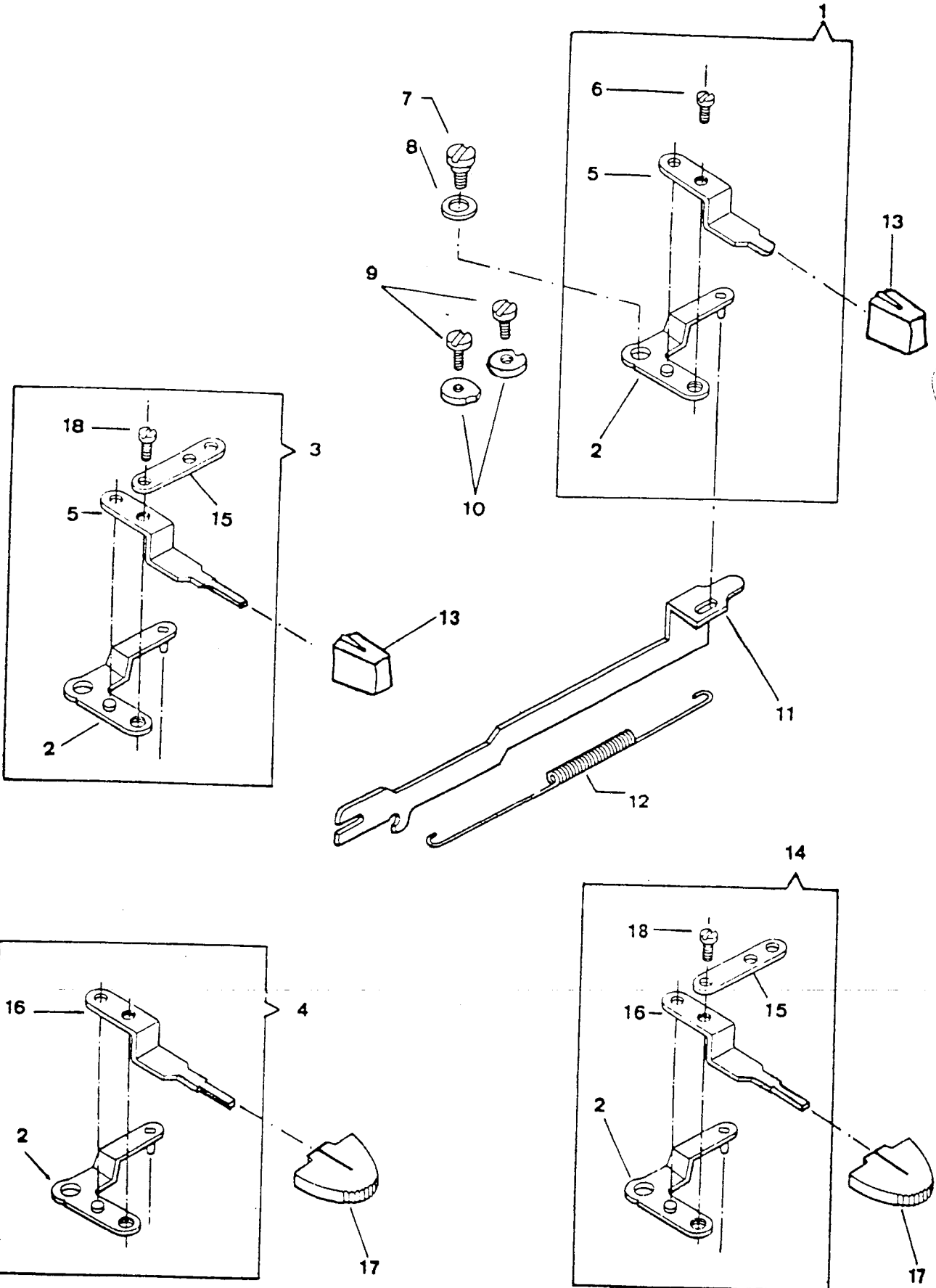
ROTATING HOOK, THROAT PLATE AND BED SLIDE



PART LIST

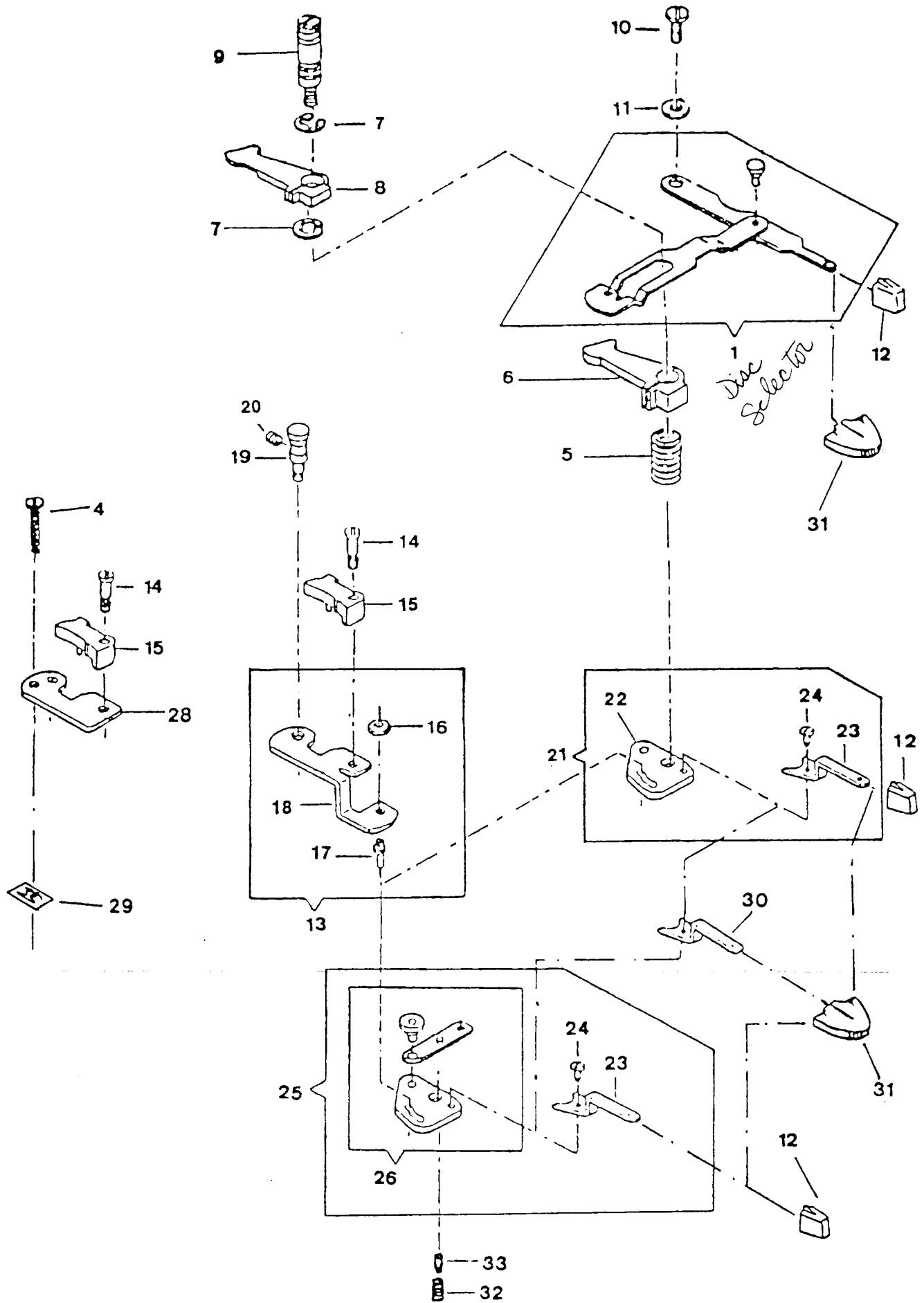
ROTATING HOOK, THROAT PLATE AND BED SLIDE (CONT.)			2	2	2	5	2	5	2	5	4	1	1	1	1
REF.	PART NBR	DESCRIPTION	4	4	4	4	6	6	8	8	0	0	0	0	0
			9	1	7	7	3	3	8	8	4	1	2	3	5
15	44892	ROTATING HOOK BOBBIN CASE RETAINING PLATE SPRING	X	X	X	X	X	X	X	X	X	X	X	X	X
16	353509	ROTATING HOOK BOBBIN CASE RETAINING PLATE RING	X	X	X	X	X	X	X	X	X	X	X	X	X
17	354917-451	ROTATING HOOK BOBBIN CASE POSITION SCREW	X	X	X	X	X	X	X	X	X	X	X	X	X
18	354227-452	ROTATING HOOK BOBBIN CASE RETAINING PLATE SCREW	X	X	X	X	X	X	X	X	X	X	X	X	X
19	381903	ROTATING HOOK BOBBIN CASE RETAINING PLATE ADJUSTABLE		X	X	X	X	X	X	X	X	X	X	X	X
20	44873-001	ROTATING HOOK BOBBIN CASE POSITION PLATE	X	X	X	X	X	X	X	X	X	X	X	X	X
21	444888	THROAT PLATE CLAMP	X	X	X	X	X	X	X	X	X	X	X	X	X
22	444889	THROAT PLATE CLAMP SPRING	X	X	X	X	X	X	X	X	X	X	X	X	X
23	179658	THROAT PLATE CLAMP SPRING RETAINING CLIP	X	X	X	X	X	X	X	X	X	X	X	X	X
24	179943	THROAT PLATE POSITION PIN	X	X	X	X	X	X	X	X	X	X	X	X	X
25	37239	BED SLIDE SPRING	X	X	X	X	X	X	X	X	X	X	X	X	X
26	354552-451	BED SLIDE SPRING SCREW	X	X	X	X	X	X	X	X	X	X	X	X	X
27	446151	BED SLIDE	X	X	X	X	X	X	X	X	X	X	X	X	X
28	445883	THROAT PLATE FOR ZIG-ZAG		X	X	X	X	X	X	X	X	X	X	X	X
28	SK3090	THROAT PLATE FOR STRAIGHT STITCH	X												

STITCH WIDTH



F.	PART NBR	PART LIST STITCH WIDTH DESCRIPTION	2 3 3 3 3													
			2	2	2	5	2	5	2	5	4	1	1	1	1	
			4	4	4	4	6	6	8	8	0	0	0	0		
			9	1	7	7	3	3	8	8	4	1	2	3	5	
01	44711	BIGHT AMPLITUDE CONTROL LEVER ASSEMBLY	X	X	X											
02	37246	BIGHT AMPLITUDE CONTROL LEVER LINK	X	X	X	X	X	X	X	X	X	X	X	X	X	
03	44652	BIGHT AMPLITUDE CONTROL LEVER ASSEMBLY					X	X								
04	353502-452	BIGHT AMPLITUDE CONTROL LEVER ASSEMBLY									X					
04	SK2890-451	BIGHT AMPLITUDE CONTROL LEVER ASSEMBLY										X	X		X	
05	444893	BIGHT AMPLITUDE CONTROL LEVER	X	X	X	X	X									
06	141913-451	BIGHT AMPLITUDE CONTROL LEVER SCREW	X	X	X						X	X	X		X	
07	353543-451	BIGHT AMPLITUDE CONTROL LEVER LINK HINGE SCREW	X	X	X	X	X	X	X	X	X	X	X	X	X	
08	49204	BIGHT AMPLITUDE LEVER LINK HINGE SCREW FRICTION WASHER	X	X	X	X	X	X	X	X	X	X	X	X	X	
09	141913-451	BIGHT AMPLITUDE CONTROL LEVER LINK STOP SCREW	X	X	X	X	X	X	X	X	X	X	X	X	X	
10	446904	BIGHT AMPLITUDE CONTROL LEVER LINK STOP	X	X	X	X	X	X	X	X	X	X	X	X	X	
11	37933-001	NEEDLE BAR DRIVING ARM	X	X	X	X	X	X	X	X	X	X	X	X	X	
12	37942	NEEDLE BAR DRIVING ARM TENSION SPRING	X	X	X	X	X	X	X	X	X	X	X	X	X	
13	444896-456	BIGHT AMPLITUDE CONTROL LEVER KNOB	X	X	X	X	X									
14	SK2891-451	BIGHT AMPLITUDE CONTROL LEVER ASSEMBLY													X	
14	445587-457	BIGHT AMPLITUDE CONTROL LEVER ASSEMBLY WITH KNOB									X	X				
15	44556	BUTTONHOLER BIGHT CONTROL LEVER LINK						X	X	X	X			X		
16	SK2471-900	BIGHT AMPLITUDE CONTROL LEVER									X	X	X	X		
16	445586-458	BIGHT AMPLITUDE CONTROL LEVER WITH KNOB						X	X	X						
17	SK2479-451 531910-900	BIGHT AMPLITUDE CONTROL LEVER KNOB											X	X	X	X
18	139866-451	BIGHT AMPLITUDE CONTROL LEVER SCREW						X	X	X	X				X	

NEEDLE POSITION & DISC SELECTOR



PART LIST
NEEDLE POSITION & DISC SELECTOR

2 2 2 5 2 5 2 5 2 3 3 3 3
4 4 4 4 6 6 8 8 0 0 0 0 0
9 1 7 7 3 3 8 8 4 1 2 3 5

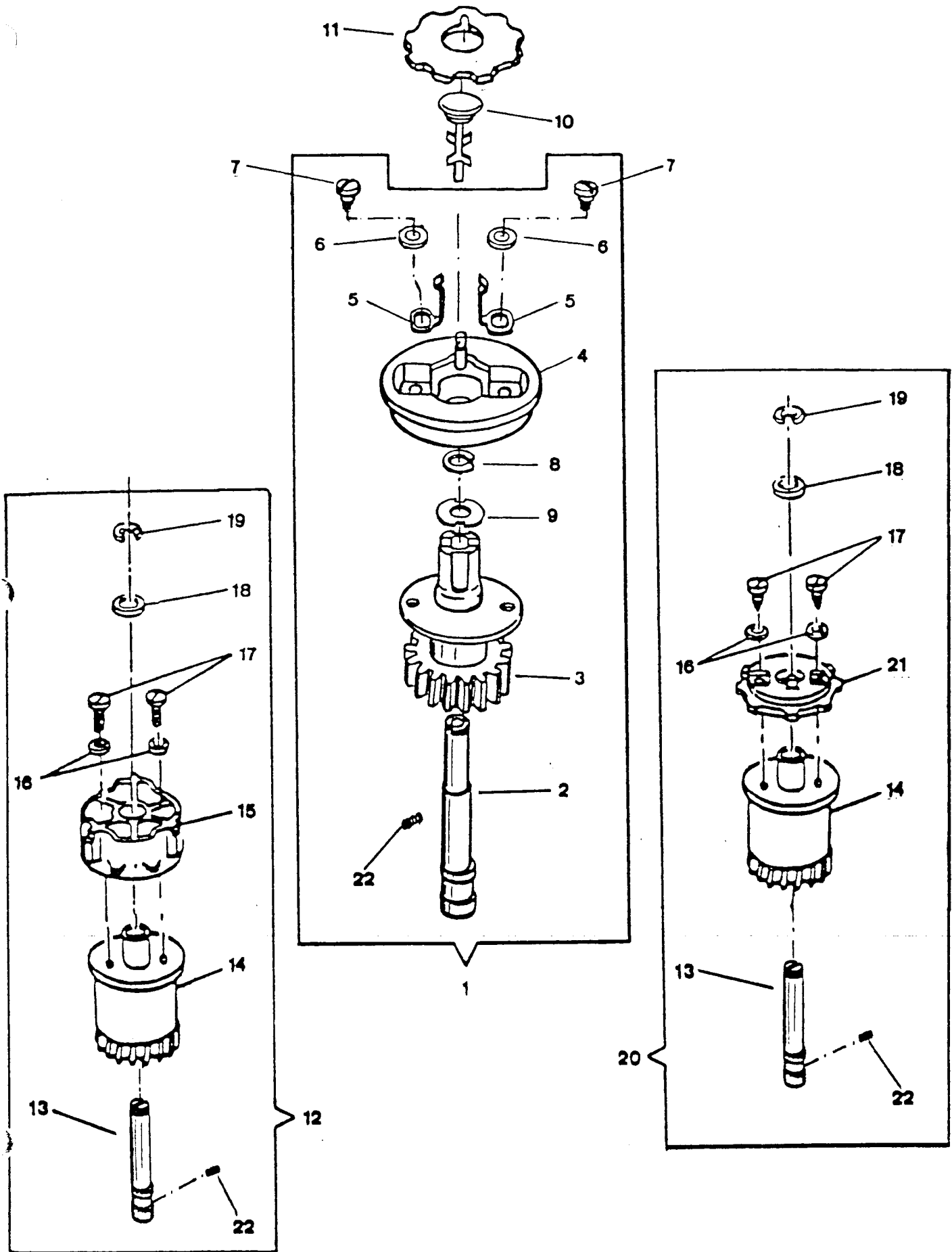
PART NBR	DESCRIPTION	2	2	2	5	2	5	2	5	2	3	3	3	3
01 44885	DISC SELECTOR LEVER ASSEMBLY									X	X			
01 SK2856	DISC SELECTOR LEVER ASSEMBLY													X X
04 354975-452	DISC BAR DRIVING ARM SLIDE BRACKET SCREW					X							X	
05 44886	DISC FOLLOWER SPRING													X X
06 445646	DISC FOLLOWER					X	X	X	X	X	X	X	X	X
07 44371	DISC FOLLOWER RETAINING RING					X	X	X	X	X	X	X	X	X
08 353574	DISC FOLLOWER (UPPER)									X	X			X X
09 446023	DISC FOLLOWER STUD					X	X	X	X	X	X	X	X	X
10 353543-451	DISC SELECTOR HINGE SCREW									X	X			X X
11 49204	DISC SELECTOR CONTROL LEVER LINK HINGE SCREW FRICTION WASHER									X	X			X X
12 444896-456	LEVER KNOB					X	X	X	X					X X X
13 445348	NEEDLE BAR DRIVING ARM SLIDE BRACKET ASSEMBLY					X	X	X	X	X	X	X	X	X X X
14 354669-451	NEEDLE BAR DRIVING ARM SLIDE HINGE SCREW					X	X	X	X	X	X	X	X	X X X
15 353596	NEEDLE BAR DRIVING ARM SLIDE					X	X	X	X	X	X			X X X
16 53641-819	NEEDLE POSITION SELECTOR LEVER BRACKET FOLLOWER SCREW STUD (ECCENTRIC) NUT									X	X	X	X	X X X
17 445347	NEEDLE POSITION SELECTOR BRACKET FOLLOWER SCREW STUD (ECCENTRIC)					X	X	X	X	X	X			X X X
18 37939	NEEDLE BAR DRIVING ARM SLIDE BRACKET					X	X	X	X					X X X
19 37941	NEEDLE BAR DRIVING ARM SLIDE BRACKET HINGE STUD													X X X
19 445583	NEEDLE BAR DRIVING ARM SLIDE BRACKET HINGE STUD									X	X	X		X X X
20 141803-830	NEEDLE BAR DRIVING ARM SLIDE BRACKET HINGE STUD SCREW					X	X	X	X	X	X			X X X

PART LIST
NEEDLE POSITION & DISC SELECTOR (CONT.)

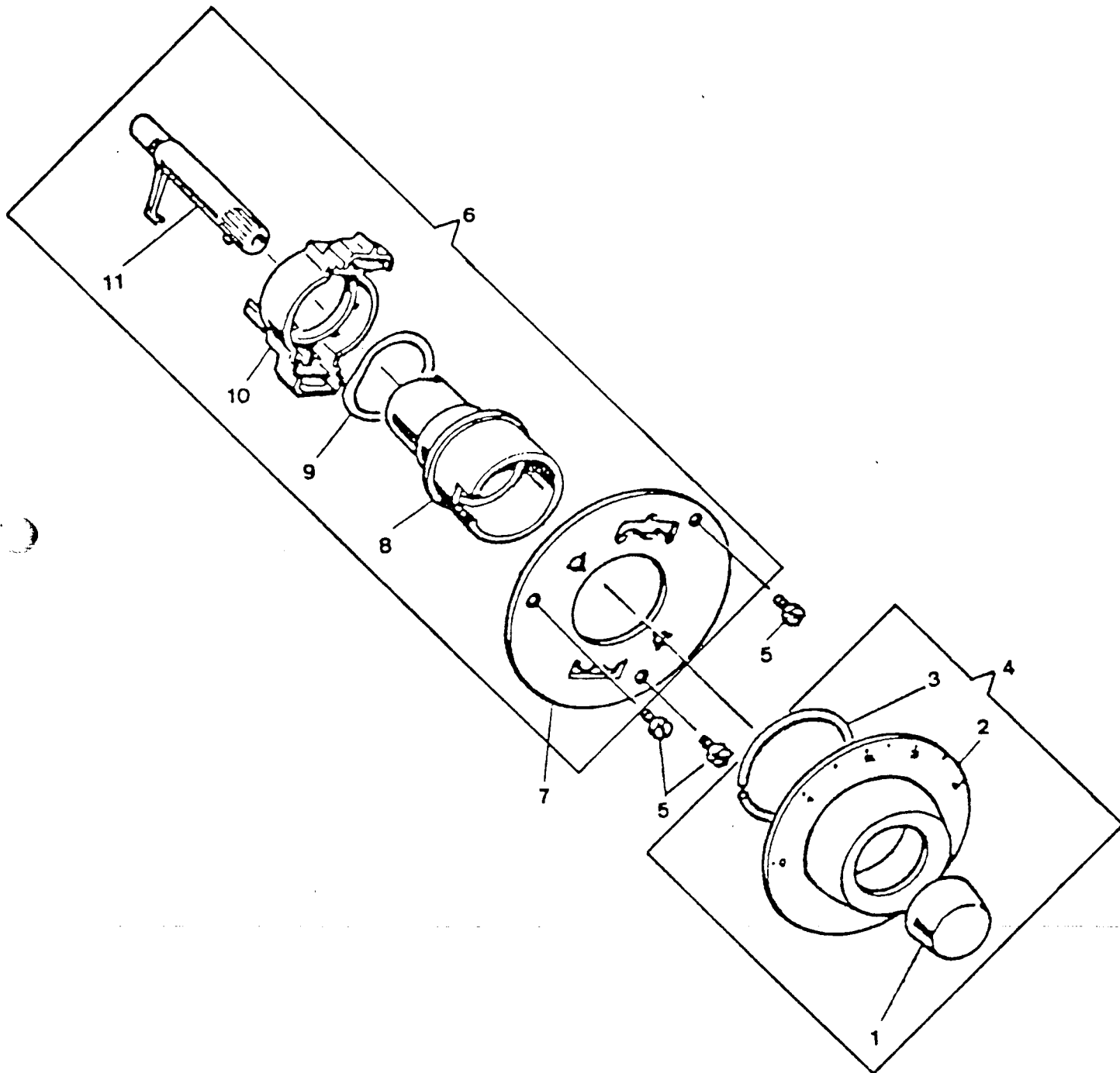
PART F. NBR	DESCRIPTION	2	2	2	5	2	5	2	5	4	1	1	1	1
		4	4	4	4	6	6	8	8	0	0	0	0	0
		9	1	7	7	3	3	8	8	4	1	2	3	5
21	37952 NEEDLE POSITION SELECTOR LEVER COMPLETE				X	X								
21	SK2889-451 ⁵³¹⁹⁷¹⁻⁰⁰⁰ NEEDLE POSITION SELECTOR LEVER BRACKET COMPLETE											X		X
21	353501-452 NEEDLE POSITION SELECTOR LEVER BRACKET ASSEMBLY WITH KNOB									X				
22	37953 NEEDLE POSITION SELECTOR LEVER BRACKET	X	X	X	X	X	X	X	X			X	X	X
23	444895 NEEDLE POSITION SELECTOR LEVER	X	X	X	X									
24	141913-451 NEEDLE POSITION SELECTOR LEVER SCREW	X	X	X	X	X	X	X	X			X	X	X
25	SK2941-451 NEEDLE POSITION SELECTOR LEVER BRACKET COMPLETE													X
25	353542-457 NEEDLE POSITION SELECTOR LEVER BRACKET COMPLETE WITH KNOB							X	X					
25	353541 NEEDLE POSITION SELECTOR LEVER BRACKET COMPLETE				X	X								
26	353539 NEEDLE POSITION SELECTOR LEVER BRACKET ASSEMBLY				X	X	X	X						X
28	SK2258 NEEDLE POSITION DRIVING ARM SLIDE BRACKET	X										X		
29	SK4096 NEEDLE POSITION DRIVING ARM SLIDE BRACKET STUD SCREW CLIP	X										X		
30	SK2473-900 NEEDLE POSITION SELECTOR LEVER												X	X
30	445589-458 NEEDLE POSITION SELECTOR LEVER WITH KNOB							X	X	X				
31	SK2479-451 LEVER KNOB												X	X
32	444800 NEEDLE POSITION SELECTOR BRACKET POSITIONING PIN SPRING	X	X	X	X	X	X	X	X			X	X	X
33	319690 NEEDLE POSITION SELECTOR BRACKET POSITIONING PIN	X	X	X	X	X	X	X	X			X	X	X

PART LIST CAM STACK			2	3	3	3	3							
PART NBR	DESCRIPTION	2	2	2	5	2	5	2	5	4	1	1	1	1
		4	4	4	4	6	6	8	8	0	0	0	0	0
		9	1	7	7	3	3	8	8	4	1	2	3	5
01	444915-901 DISC DRIVING GEAR COMPLETE							X	X	X				
02	444899 DISC DRIVING GEAR SHAFT							X	X	X				
03	444911 DISC DRIVING GEAR ASS'Y							X	X	X				
04	446176 DISC POSITIONING ADJUSTING SPACER							X	X	X				
05	444908 DISC RETAINING SPRING							X	X	X				
06	446138 DISC POSITIONING ADJUSTING SPACER SCREW WASHER							X	X	X				
07	141920-452 DISC POSITIONING ADJUSTING SPACER SCREW							X	X	X				
08	603908-001 DISC DRIVING GEAR RETAINING RING							X	X	X				
09	444903-453 DISC RELEASING BRACKET RETAINING WASHER							X	X	X				
10	444906 DISC RELEASING BRACKET STUD COMPLETE							X	X	X				
11	276301 DISC N# 1 (FOR ZIG-ZAG STITCH)							X	X	X				
12	353538-900 DISC DRIVING GEAR SHAFT COMPLETE							X	X				X	X
13	444922 DISC DRIVING GEAR SHAFT						X	X	X	X	X		X	X
14	179958 DISC DRIVING GEAR (PLASTIC)						X	X	X	X	X		X	X
15	444924 DISC STACK							X	X				X	X
16	179957-451 DISC STACK SCREW WASHER						X	X	X	X	X		X	X
17	113375-451 DISC STACK POSITIONING SCREW						X	X	X	X	X		X	X
18	444923-453 DISC DRIVING GEAR SHAFT WASHER						X	X	X	X	X		X	X
19	444921 DISC DRIVING GEAR RETAINING RING						X	X	X	X	X		X	X
20	179956-900 DISC DRIVING GEAR SHAFT COMPLETE						X	X	X				X	X
21	445762 DISC STACK						X	X	X				X	X
22	141803-830 DISC DRIVING GEAR SHAFT SET SCREW						X	X	X	X	X	X	X	X

CAM STACK



FEED REGULATOR



QTY.	PART NBR	DESCRIPTION	PART LIST												
			2	2	2	5	2	5	2	5	4	1	1	1	1
			4	4	4	4	6	6	8	8	0	0	0	0	
			9	1	7	7	3	3	8	8	4	1	2	3	5
01	179904- 451	FEED REGULATOR POSITIONING PIN KNOB	X	X	X	X					X	X	X		X
02	531529-451	FEED REGULATOR CONTROL DIAL	X	X	X	X					X	X	X		X
03	445461	FEED REGULATOR CONTROL DIAL RETAINING RING	X	X	X	X					X	X	X		X
04	531530-451	FEED REGULATOR CONTROL DIAL COMPLETE	X	X	X	X					X	X	X		X
05	139868-819	FEED REGULATOR MOUNTING PLATE SCREW	X	X	X	X					X	X	X		X
06	446279	FEED REGULATOR MECHANISM COMPLETE	X	X	X	X					X	X	X		X
07	446283	FEED REGULATOR MECHANISM MOUNTING PLATE	X	X	X	X					X	X	X		X
08	446280	FEED REGULATOR CAM	X	X	X	X					X	X	X		X
09	446282	FEED REGULATOR MECHANISM WASHER	X	X	X	X					X	X	X		X
10	446284	FEED REGULATOR CAM BRACKET	X	X	X	X					X	X	X		X
11	446281	FEED REGULATOR CAM FOLLOWER	X	X	X	X					X	X	X		X

PART LIST											2	3	3	3	3
FEED REGULATOR WITH BUTTONHOLER (CONT.)			2	2	2	5	2	5	2	5	4	1	1	1	1
PART	REF.NBR	DESCRIPTION	4	4	4	4	6	6	8	8	0	0	0	0	0
			9	1	7	7	3	3	8	8	4	1	2	3	5
14	354858-451	BUTTONHOLER & FEED REGULATOR MECHANISM MOUNTING PLATE SCREW							X	X	X	X			X
15	445486	BUTTONHOLER BIGHT CONTROL CAM FOLLOWER LEVER LINK (RIGHT) RETAINING RING							X	X	X	X			X
17	44472	BUTTONHOLER NEEDLE POSITION CAM FOLLOWER LEVER RETAINING RING							X	X	X	X			X
18	44547	BUTTONHOLER & FEED REGULATOR CONTROL DIAL PAWL SPRING							X	X	X	X			X
20	446259	FEED REGULATOR POSITIONING PIN BRACKET							X	X	X	X			X
21	44612	FEED REGULATOR POSITIONING FRICTION SPRING							X	X	X	X			X
22	353446	FEED REGULATOR POSITIONING PIN							X	X	X	X			X
23	445721	FEED REGULATOR POSITIONING PIN FRICTION SPRING RETAINING RING							X	X	X	X			X
24	354552-451	FEED REGULATOR CONTROL ARM MOUNTING BRACKET SCREW							X	X	X	X			X
25	445148	FEED REGULATOR CONTROL ARM ASS'Y	X	X	X	X	X	X	X	X	X	X	X	X	X
26	141913-451	BUTTONHOLER BIGHT CONTROL CAM FOLLOWER LEVER LINK (LEFT & RIGHT) SCREW							X	X	X	X			X
27	353543	BUTTONHOLER BIGHT CONTROL CAM FOLLOWER LEVER LINK (RIGHT)							X	X	X	X			X

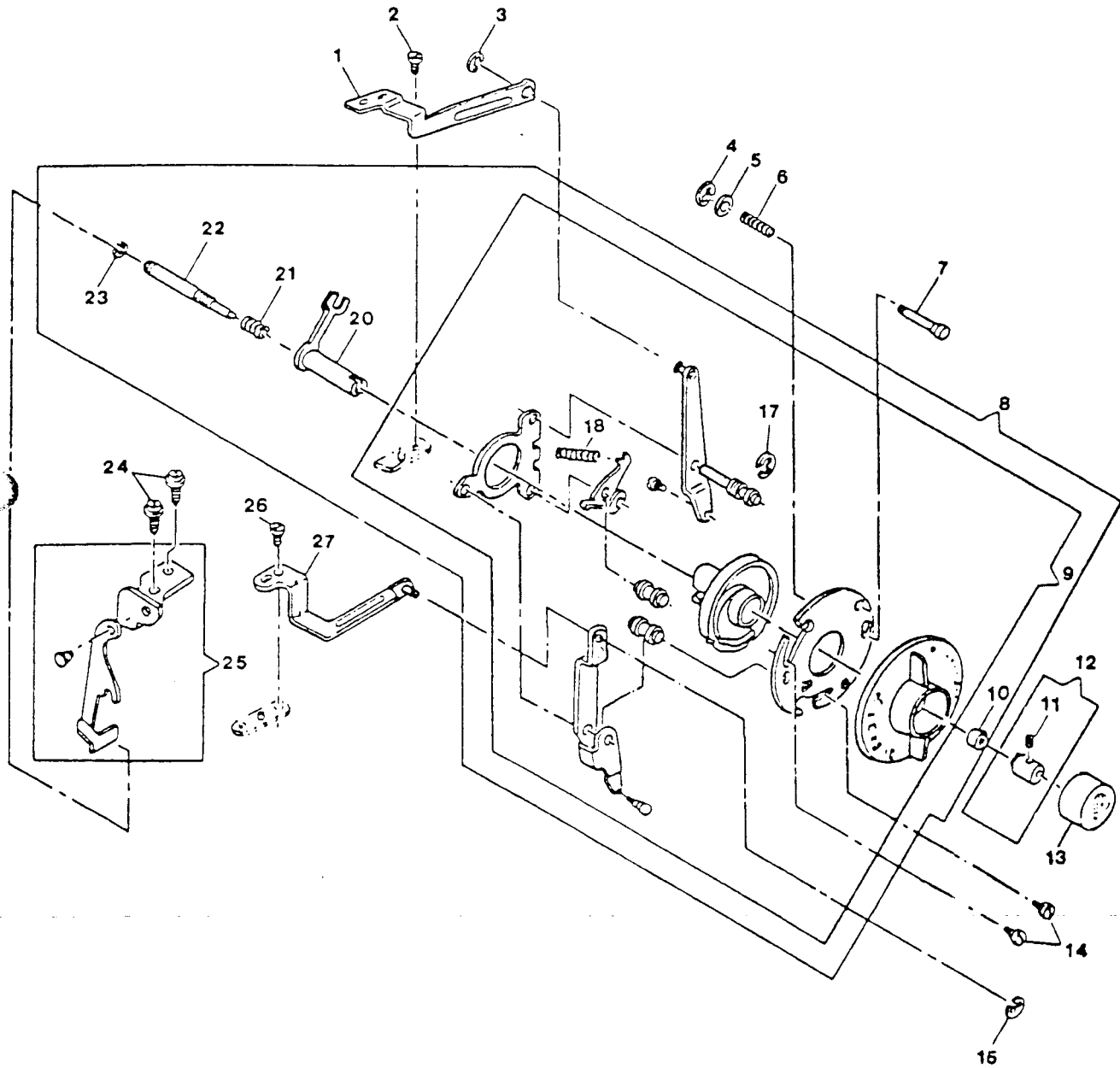
FART LIST

FEED REGULATOR WITH BUTTONHOLER

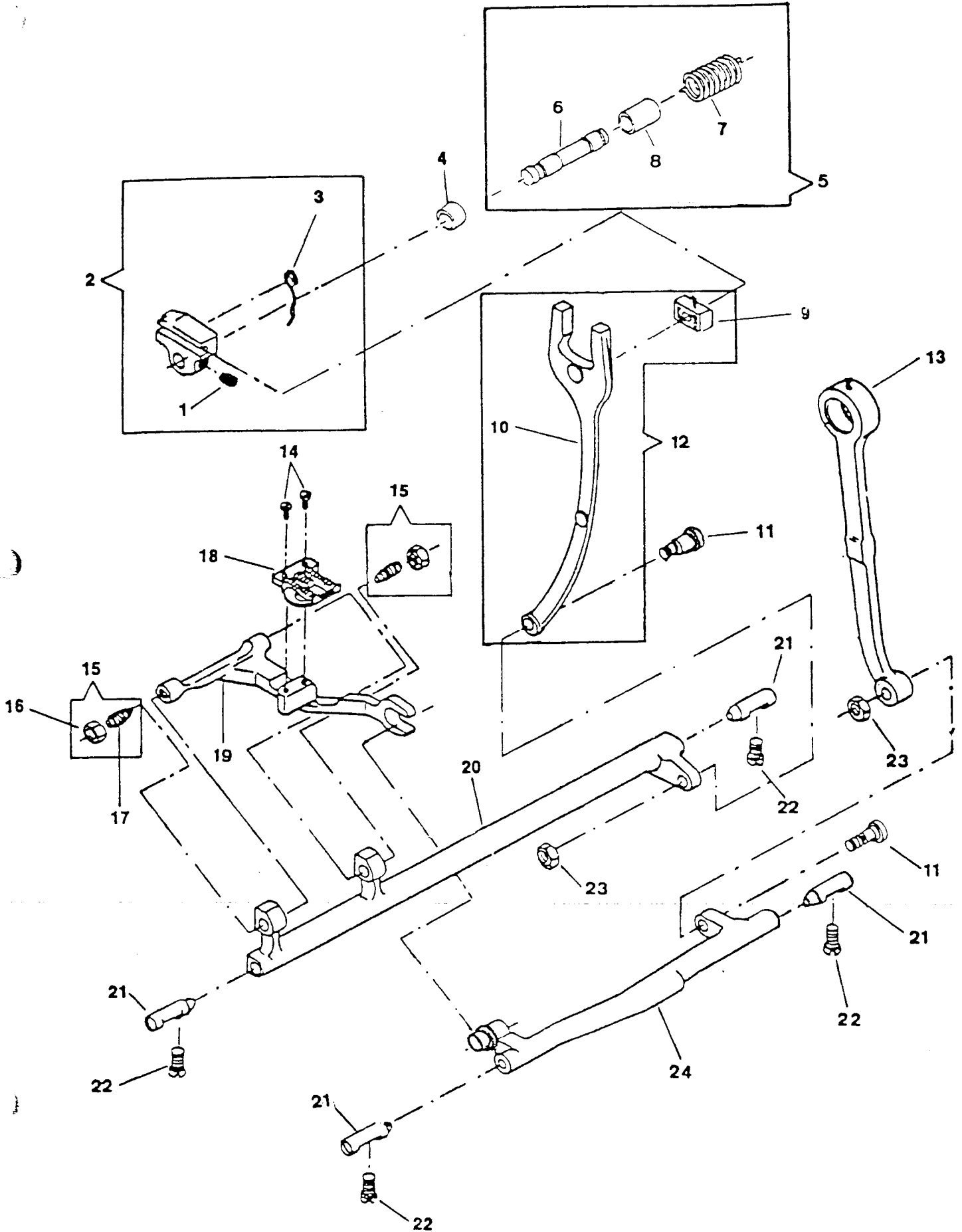
2 2 2 5 2 5 2 5 4 1 1 1 1
 4 4 4 4 6 6 8 8 0 0 0 0 0
 9 1 7 7 3 3 8 8 4 1 2 3 5

PART REF. NBR	DESCRIPTION												
01	353534	BUTTONHOLER NEEDLE POSITION CAM FOLLOWER LEVER LINK (RIGHT)				X	X	X	X				X
02	141913-451	BUTTONHOLER NEEDLE POSITION CAM FOLLOWER LEVER LINK (LEFT & RIGHT) SCREW				X	X	X	X				X
03	445486	BUTTONHOLER NEEDLE POSITION CAM FOLLOWER LEVER LINK (RIGHT) RETAINING RING				X	X	X	X				X
04	408030	BUTTONHOLER & FEED REGULATOR MECHANISM MOUNTING PLATE STUD RETAINING RING				X	X	X	X				X
05	549426-451	BUTTONHOLER & FEED REGULATOR MECHANISM MOUNTING PLATE STUD SPRING WASHER				X	X	X	X				X
06	445937	BUTTONHOLER & FEED REGULATOR MECHANISM MOUNTING PLATE STUD SPRING				X	X	X	X				X
07	SK3602	BUTTONHOLER & FEED REGULATOR MECHANISM MOUNTING PLATE STUD				X	X	X	X				X
08	531534-451	BUTTONHOLER & FEED REGULATOR CAM COMPLETE				X	X	X	X				X
09	531533-451	BUTTONHOLER & FEED REGULATOR CAM ASSEMBLY				X	X	X	X				X
10	445945	REVERSE FEED CAM FOLLOWER				X	X	X	X				X
11	113433-451	FEED REGULATOR POSITIONING PIN KNOB ADAPTOR SET SCREW				X	X	X	X				X
12	353445	FEED REGULATOR POSITIONING PIN KNOB ADAPTOR				X	X	X	X				X
13	179903-4R2	FEED REGULATOR POSITIONING PIN KNOB				X	X	X	X				X

FEED REGULATOR WITH BUTTONHOLER

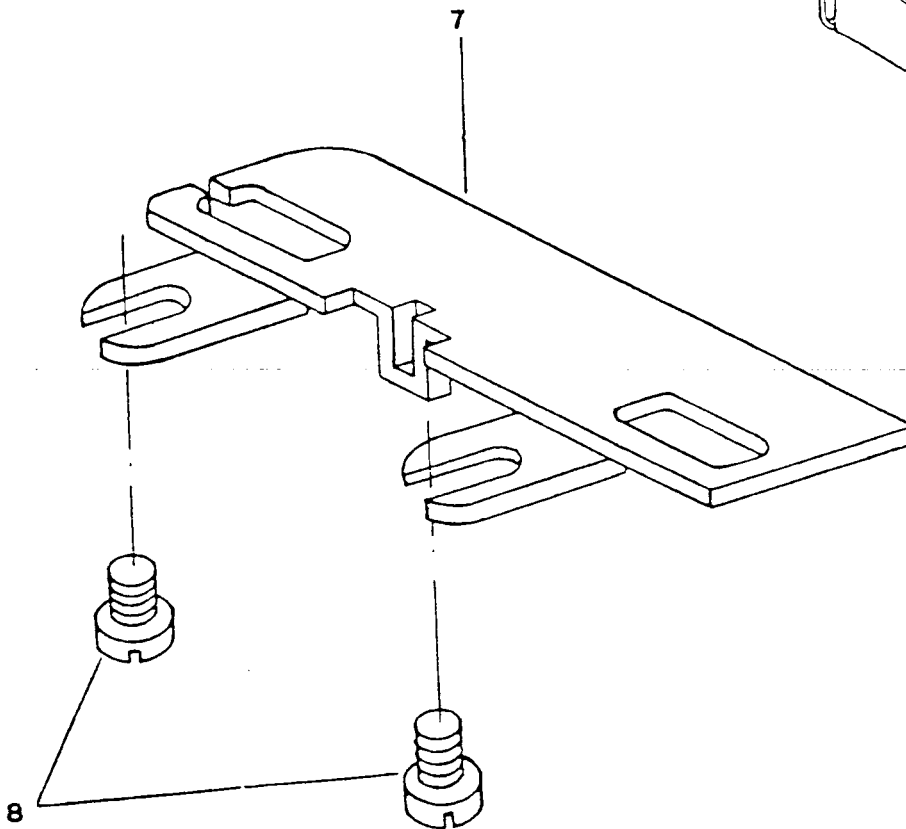
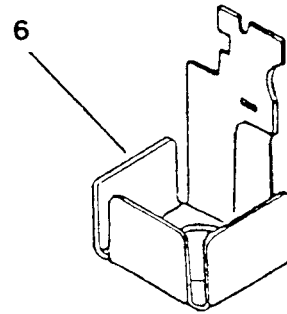
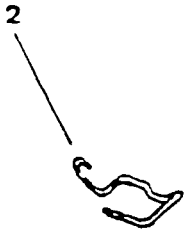
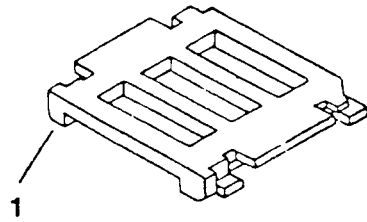
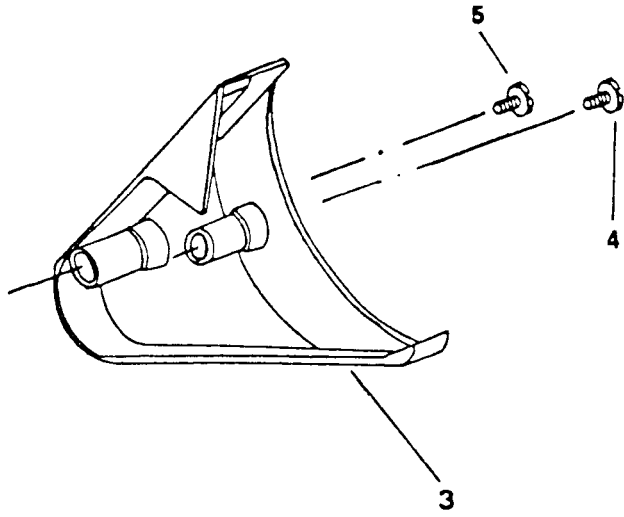


FEED SYSTEM



PART LIST FEED SYSTEM			2	2	2	5	2	5	2	5	2	3	3	3	3
PART			4	4	4	4	6	6	8	8	0	0	0	0	0
QTY.	NBR	DESCRIPTION	9	1	7	7	3	3	8	8	4	1	2	3	5
01	141925-833	FEED REGULATOR HINGE STUD SET SCREW	X	X	X	X	X	X	X	X	X	X	X	X	X
02	179991	FEED REGULATOR	X	X	X	X	X	X	X	X	X	X	X	X	X
03	445837	FEED REGULATOR SPRING	X	X	X	X	X	X	X	X	X	X	X	X	X
04	445767	FEED REGULATOR SPACER BUSHING	X	X	X	X	X	X	X	X	X	X	X	X	X
05	445955	FEED REGULATOR HINGE STUD COMPLETE	X	X	X	X	X	X	X	X	X	X	X	X	X
06	445766	FEED REGULATOR HINGE STUD	X	X	X	X	X	X	X	X	X	X	X	X	X
07	445860	FEED REGULATOR RETURN SPRING	X	X	X	X	X	X	X	X	X	X	X	X	X
08	445768	FEED REGULATOR RETURN SPRING SPACER (PLASTIC)	X	X	X	X	X	X	X	X	X	X	X	X	X
09	SK3392	FEED FORKED CONNECTION SLIDE BLOCK	X	X	X	X	X	X	X	X	X	X	X	X	X
10	445811	FEED FORKED CONNECTION	X	X	X	X	X	X	X	X	X	X	X	X	X
11	141805-850	FEED LIFTING ROCK SHAFT CONNECTING ROD HINGE SCREW ECCENTRIC	X	X	X	X	X	X	X	X	X	X	X	X	X
12	445758	FEED FORKED CONNECTION WITH SLIDE BLOCK	X	X	X	X	X	X	X	X	X	X	X	X	X
13	37288	FEED LIFTING ROCK SHAFT CONNECTING ROD	X	X	X	X	X	X	X	X	X	X	X	X	X
14	141808-452	FEED DOG SCREW	X	X	X	X	X	X	X	X	X	X	X	X	X
15	44505	SCREW CENTER WITH NUT	X	X	X	X	X	X	X	X	X	X	X	X	X
16	53647-819	FEED BAR SCREW CENTER NUT	X	X	X	X	X	X	X	X	X	X	X	X	X
17	141921-850	FEED BAR SCREW CENTER	X	X	X	X	X	X	X	X	X	X	X	X	X
18	445896	FEED DOG	X	X	X	X	X	X	X	X	X	X	X	X	X
19	44601	FEED BAR	X	X	X	X	X	X	X	X	X	X	X	X	X
20	445952	FEED SHAFT	X	X	X	X	X	X	X	X	X	X	X	X	X
21	179880-001	ROCK SHAFT CENTER	X	X	X	X	X	X	X	X	X	X	X	X	X
22	141925-833	CENTER SET SCREWS	X	X	X	X	X	X	X	X	X	X	X	X	X
23	53648-451	HINGE SCREW NUT	X	X	X	X	X	X	X	X	X	X	X	X	X
24	446153	FEED LIFTING ROCK SHAFT	X	X	X	X	X	X	X	X	X	X	X	X	X

OPTIONS

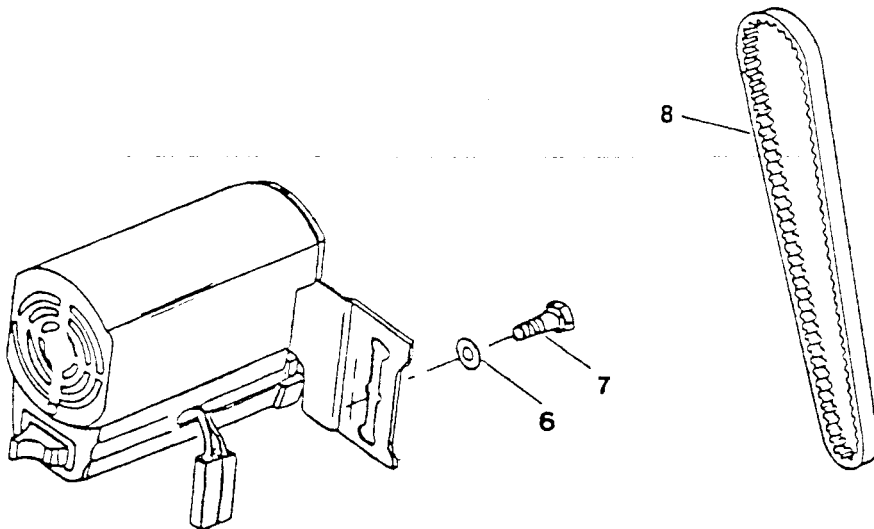
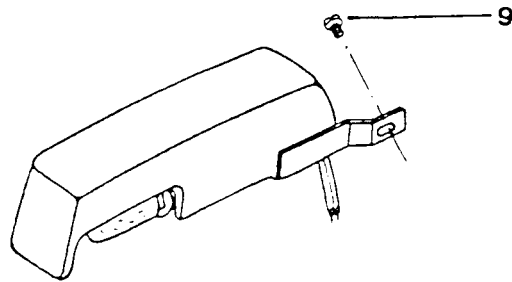
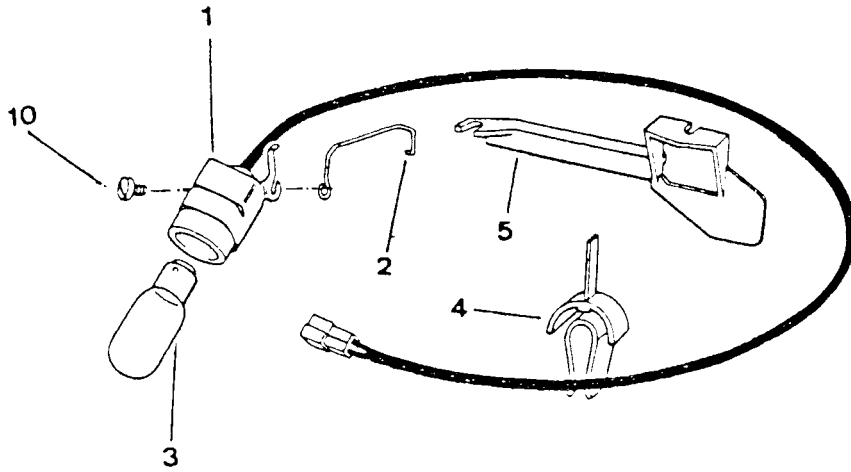


PART LIST
OPTIONS

REF.	PART NBR	DESCRIPTION	PART LIST OPTIONS																
			2	2	2	5	2	5	2	5	4	1	1	1	1	2	3	3	3
			4	4	4	4	6	6	8	8	0	0	0	0	0	0	0	0	0
			9	1	7	7	3	3	8	8	4	1	2	3	5				
01	445832	FACE PLATE GRILLE (FOR UK)	X	X	X	X	X	X	X	X	X	X	X	X	X	X	X	X	X
02	116863	FINGER GUARD	X	X	X	X	X	X	X	X	X	X	X	X	X	X	X	X	X
03	445736-452	MOTOR BELT COVER (PLASTIC)	X	X	X	X	X	X	X	X	X	X	X	X	X	X	X	X	X
04	354792-452	MOTOR BELT COVER SCREW (LOWER)	X	X	X	X	X	X	X	X	X	X	X	X	X	X	X	X	X
05	354805-452	MOTOR BELT COVER SCREW (UPPER)	X	X	X	X	X	X	X	X	X	X	X	X	X	X	X	X	X
06	605087-001	HEAT SINK	X	X	X	X	X	X	X	X	X	X	X	X	X	X	X	X	X
07	446263-451	BED EXTENSION PLASTIC	X	X	X	X	X	X	X	X	X	X	X	X	X	X	X	X	X
08	354966-451	BED EXTENSION SCREW	X	X	X	X	X	X	X	X	X	X	X	X	X	X	X	X	X

Handwritten: 145236-451

ELECTRICAL INTERFACES



PART LIST
ELECTRICAL INTERFACE

REF.	PART NBR.	DESCRIPTION	2	2	2	5	2	5	2	5	4	3	3	3	3	
			4	4	4	4	6	6	8	8	0	0	0	0	0	
			9	1	7	7	3	3	8	8	4	1	2	3	5	
01	605488-014	LIGHT COMPLETE (EUROPE)							X	X	X					
01	362001-004	LIGHT COMPLETE (STANDARD) <i>362001006</i>							X	X	X					
02	445626	LIGHT LEAD RETAINER							X	X	X					
03	988076-001	LIGHT BULB (120V)	X	X	X	X	X	X	X	X	X	X	X	X	X	X
03	988076-003	LIGHT BULB (220V)	X	X	X	X	X	X	X	X	X	X	X	X	X	X
03	988076-005	LIGHT BULB (250V)	X	X	X	X	X	X	X	X	X	X	X	X	X	X
04	605449-001	CORD RETAINER							X	X	X					
05	445605	LIGHT LEAD SHIELD (PLASTIC)							X	X	X					
06	604018-002	MOTOR MOUNTING SCREW WASHER	X	X	X	X	X	X	X	X	X	X	X	X	X	X
07	604020-003	MOTOR MOUNTING SCREW	X	X	X	X	X	X	X	X	X	X	X	X	X	X
08	196388-003	MOTOR BELT	X	X	X	X	X	X	X	X	X	X	X	X	X	X
09	354930-452	LAMP CLAMPING SCREW	X	X	X	X	X	X				X	X	X	X	X
10	354826-451	LIGHT SUPPORT SET SCREW							X	X	X					
11	988223	LIGHT COMPLETE	X	X	X	X	X	X				X	X	X	X	X
12	NPO041-019	MOTOR 110V - FLAT BLADE	X	X	X		X					X	X	X	X	X
12	NPO041-020	MOTOR 110V - ROUND PIN	X	X	X		X					X	X	X	X	X
12	NPO041-021	MOTOR 220V - FLAT BLADE	X	X	X		X					X	X	X	X	X
12	NPO041-022	MOTOR 220V - ROUND PIN	X	X	X		X					X	X	X	X	X
12	NPO041-023	MOTOR 110V - 100W ROUND PIN	X	X	X		X					X	X	X	X	X
12	NPO041-024	MOTOR 220V - 100W ROUND PIN	X	X	X		X					X	X	X	X	X
12	NPO113-003	MOTOR 110V (USA/CANADA) -	X		X	X	X	X				X	X	X	X	X
12	NPO145-001	MOTOR 220V (SOUTH AFRICA)	X		X	X	X	X				X	X	X	X	X
12	SK-2213-001	MOTOR 220V (EUROPE)	X		X	X	X	X				X	X	X	X	X
12	SK-2215-001	MOTOR 240V (UK)	X		X	X	X	X				X	X	X	X	X
12	SK-2173-019	MOTOR 110V FLAT BLADE (COLOMBIA)	X													
12	605737-M04	MOTOR 110V FLAT BLADE							X	X						
12	605737-M05	MOTOR 220V FLAT BLADE							X	X						
12	NPO511-006	MOTOR 220V - 100W - ROUND PIN							X	X						
12	NPO511-005	MOTOR 110V - 100W - FLAT BLADE							X	X						
12	605737-M03	MOTOR 220V - ROUND PIN							X	X						
12	605737-M02	MOTOR 110V - ROUND PIN							X	X						
12	605466-007	MOTOR 240V - AUSTRALIA							X	X						
12	SK-2195-001	MOTOR 220V - EUROPE							X	X						
12	NPO129-003	MOTOR 220V - SOUTH AFRICA							X	X						
12	SK-2197-001	MOTOR 240V - (UK)							X	X						
12	605466-007	MOTOR 110V - (USA/CANADA) -							X	X	X					
13	979314-027	CONTROLLER WA - (UK)	X	X	X	X	X	X	X	X	X	X	X	X	X	X
13	979314-026	CONTROLLER WA - (EUROPE)	X	X	X	X	X	X	X	X	X	X	X	X	X	X
13	979314-028	CONTROLLER WA - (AUSTRALIA)	X	X	X	X	X	X	X	X	X	X	X	X	X	X
13	979314-030	CONTROLLER WA - (SOUTH AFRICA)	X	X	X	X	X	X	X	X	X	X	X	X	X	X
13	979314-031	CONTROLLER WA - (USA/CANADA) <i>31.0</i>	X	X	X	X	X	X	X	X	X	X	X	X	X	X
13	979314-021	CONTROLLER WA 110V (W/O REG) ROUND PIN	X	X	X	X	X	X	X	X	X	X	X	X	X	X
13	979314-023	CONTROLLER WA 110V (W/O REG) FLAT BLADE	X	X	X	X	X	X	X	X	X	X	X	X	X	X
13	979314-024	CONTROLLER WA 220V (W/O REG) FLAT BLADE	X	X	X	X	X	X	X	X	X	X	X	X	X	X
13	979314-021	CONTROLLER WA 220V (W/O REG) ROUND PIN	X	X	X	X	X	X	X	X	X	X	X	X	X	X

PART LIST
ELECTRICAL INTERFACES

PART REF. NBR	DESCRIPTION	2	2	2	5	2	5	2	5	2	3	3	3	3
		4	4	4	4	6	6	8	8	8	0	0	0	0
		9	1	7	7	3	3	8	8	4	1	2	3	5
01	<u>605488 015</u> LIGHT COMPLETE									X	X	X		
02	445626 LIGHT LEAD RETAINER									X	X	X		
03	988076-001 LIGHT BULB (120V)	X	X	X	X	X	X	X	X	X	X	X	X	X
03	988076-003 LIGHT BULB (220V)	X	X	X	X	X	X	X	X	X	X	X	X	X
03	988076-005 LIGHT BULB (250V)	X	X	X	X	X	X	X	X	X	X	X	X	X
04	605449-001 CORD RETAINER									X	X	X		
05	445605 LIGHT LEAD SHIELD (PLASTIC)									X	X	X		
06	604018-002 MOTOR MOUNTING SCREW WASHER	X	X	X	X	X	X	X	X	X	X	X	X	X
07	604020-003 MOTOR MOUNTING SCREW	X	X	X	X	X	X	X	X	X	X	X	X	X
08	196388-003 MOTOR BELT	X	X	X	X	X	X	X	X	X	X	X	X	X
09	354930-PRO LAMP CLAMPING SCREW	X	X	X	X	X	X				X	X	⊗	X
10	354826-451 LIGHT SUPPORT SET SCREW									X	X	X		

*All Part Lists
in front of
my name*