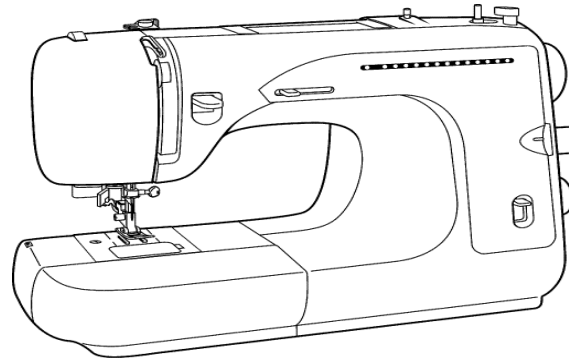


REFER TO IMPORTANT NOTICE BELOW

**PARTS LIST  
FOR  
Model 2662**

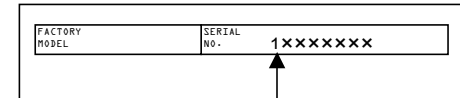


# SINGER

**IMPORTANT:**

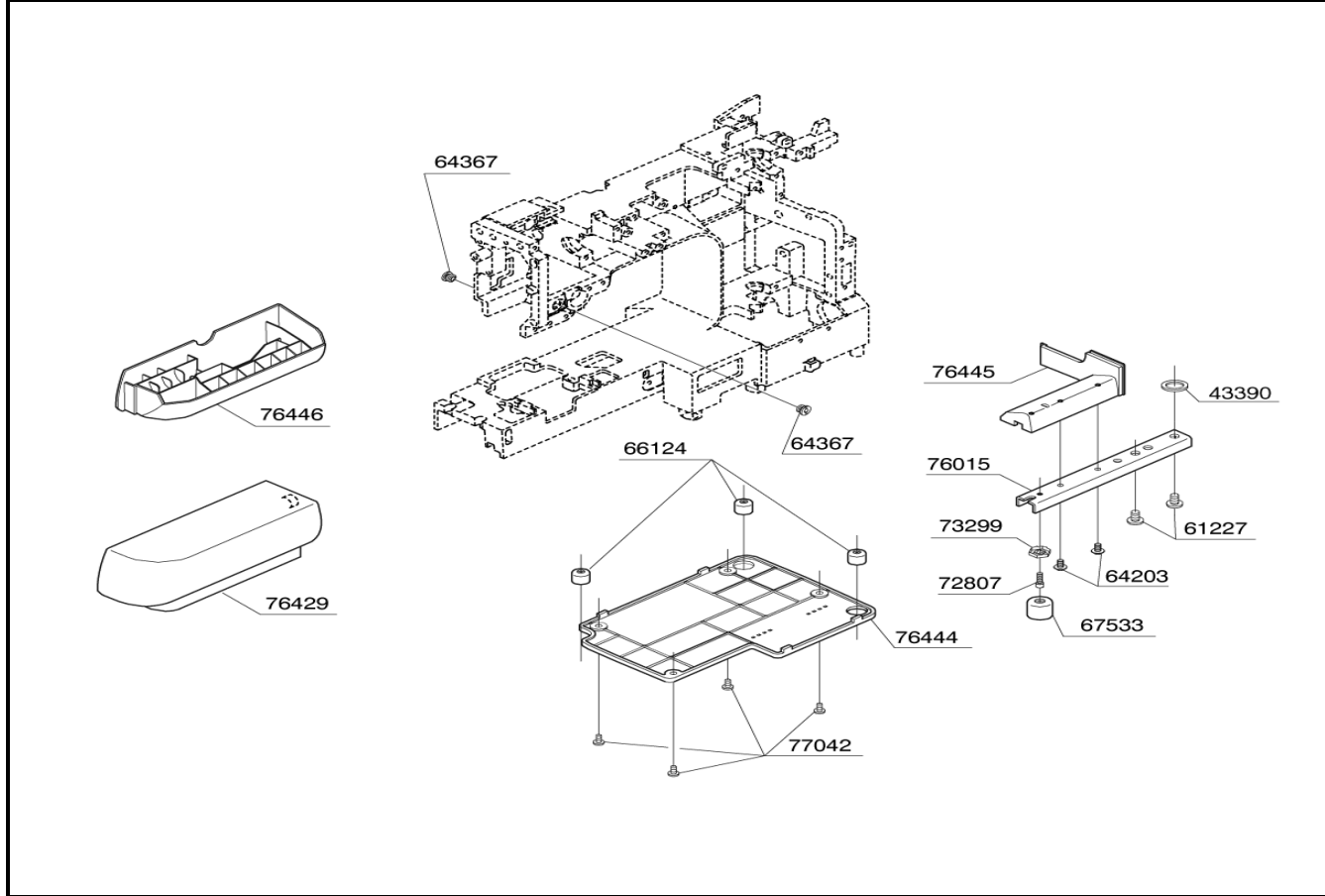
WHEN ORDERING THE PARTS  
ALWAYS CHECK THE SERIAL  
NUMBER OF THE MACHINE.

FIRST DIGIT OF THE SERIAL  
NUMBER MUST MATCH WITH  
THE LAST DIGIT OF THE FACTOR  
MODEL ABOVE.



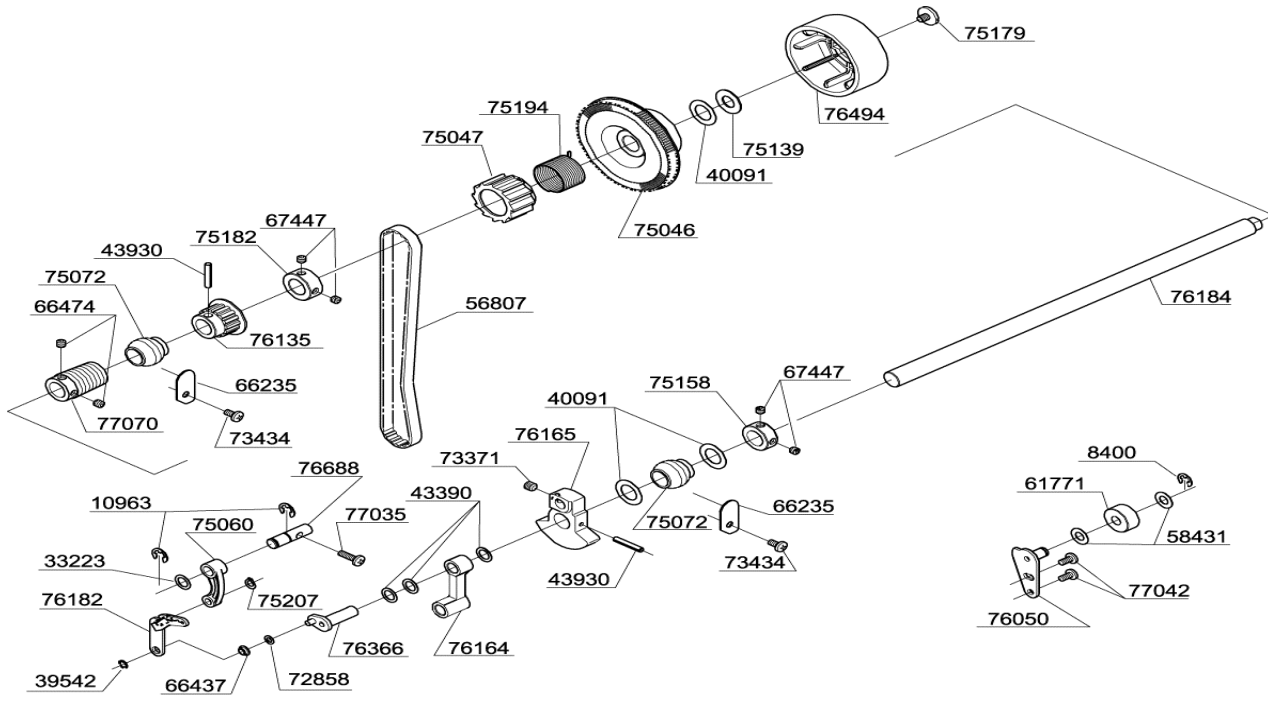
FIRST DIGIT

BUYER'S MODEL NO.	2662	SECTION	PAGE	REVISION	REMARKS	PART NO.	DESCRIPTION
BUYER'S MODEL NAME			<b>1</b>			43390	THRUST WASHER
FACTORY MODEL	CA97861					61227	E6 PHILLIPS SCREW
ORIGINAL ISSUE	March, 2003		SERIAL NO.			64203	TAPPING SCREW



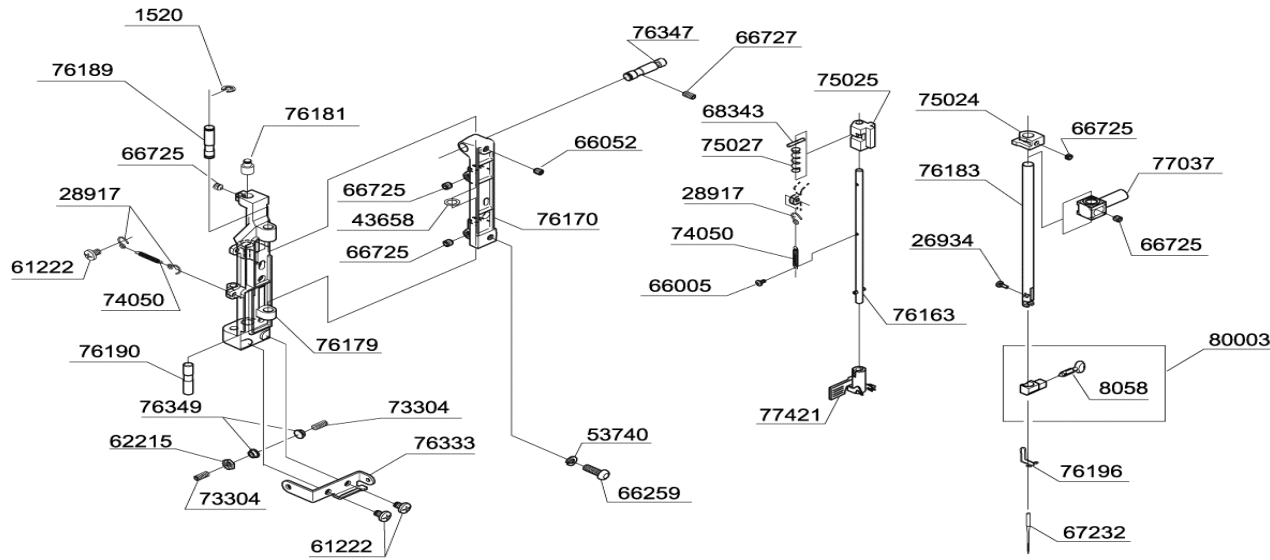
PART NO.	DESCRIPTION
43390	THRUST WASHER
61227	E6 PHILLIPS SCREW
64203	TAPPING SCREW
64367	M8 SCREW
66124	RUBBER FOOT
67533	RUBBER CUSHION
72807	M4 STUD SCREW
73299	M4 TORQUE NUT
76015	LEG
76429	EXTENSION TABLE
76444	BOTTOM COVER
76445	LEG COVER
76446	ACCESSORY BOX
77042	M4 PHILLIPS SCREW

BUYER'S MODEL NO.	2662	SECTION	PAGE	REVISION	REMARKS	PART NO.	DESCRIPTION
BUYER'S MODEL NAME			<b>2</b>				
FACTORY MODEL	CA97861						
ORIGINAL ISSUE	March, 2003		SERIAL NO.				



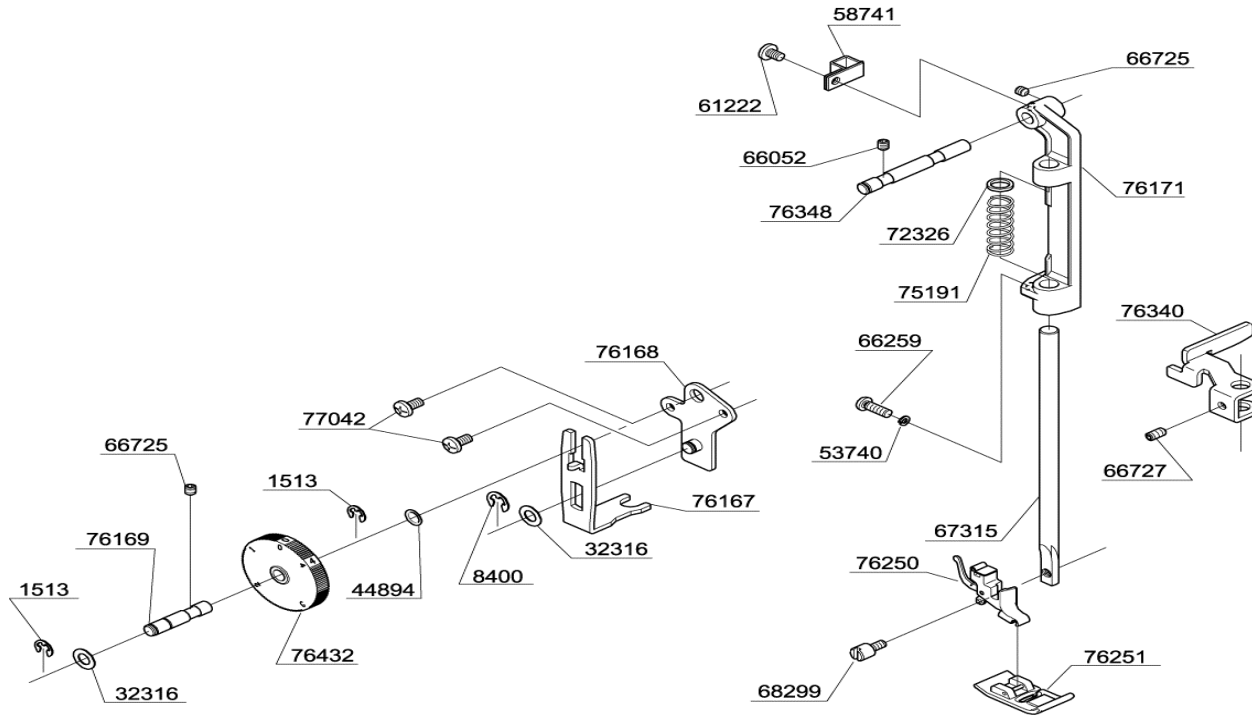
PART NO.	DESCRIPTION
8400	E5 CLIP-ON-WASHER
10963	E6 CLIP-ON-WASHER
33223	WASHER
39542	CLIP-ON-WASHER
40091	THRUST WASHER
43390	THRUST WASHER
43930	SPRING PIN
56807	TIMING BELT
58431	FIBER WASHER
61771	TENSION ROLLER
66235	SECURING PLATE
66437	BUSH
66474	M5 SCREW
67447	M5 SCREW
72858	WASHER
73371	M6 SCREW
73434	M4 PHILLIPS SCREW
75046	BELT PULLEY
75047	CLUTCH
75060	TAKE-UP LEVER CRANK
75072	BALL BUSHING
75139	WASHER
75158	COLLAR
75179	M5 SCREW
75182	COLLAR
75194	TORSION SPRING
75207	GRIP RING
76050	TENSIONING PULLEY BASE
76135	BELT PULLEY
76164	NEEDLE BAR CRANK
76165	BALANCER
76182	TAKE-UP LEVER
76184	MAIN SHAFT
76366	CRANK SHAFT
76494	HAND WHEEL
76688	SHAFT
77035	M4 PHILLIPS SCREW
77042	M4 PHILLIPS SCREW
77070	SPRING GEAR

BUYER'S MODEL NO.	2662	SECTION	PAGE	REVISION	REMARKS	PART NO.	DESCRIPTION
BUYER'S MODEL NAME			<b>3</b>				
FACTORY MODEL	CA97861						
ORIGINAL ISSUE	March, 2003		SERIAL NO.				



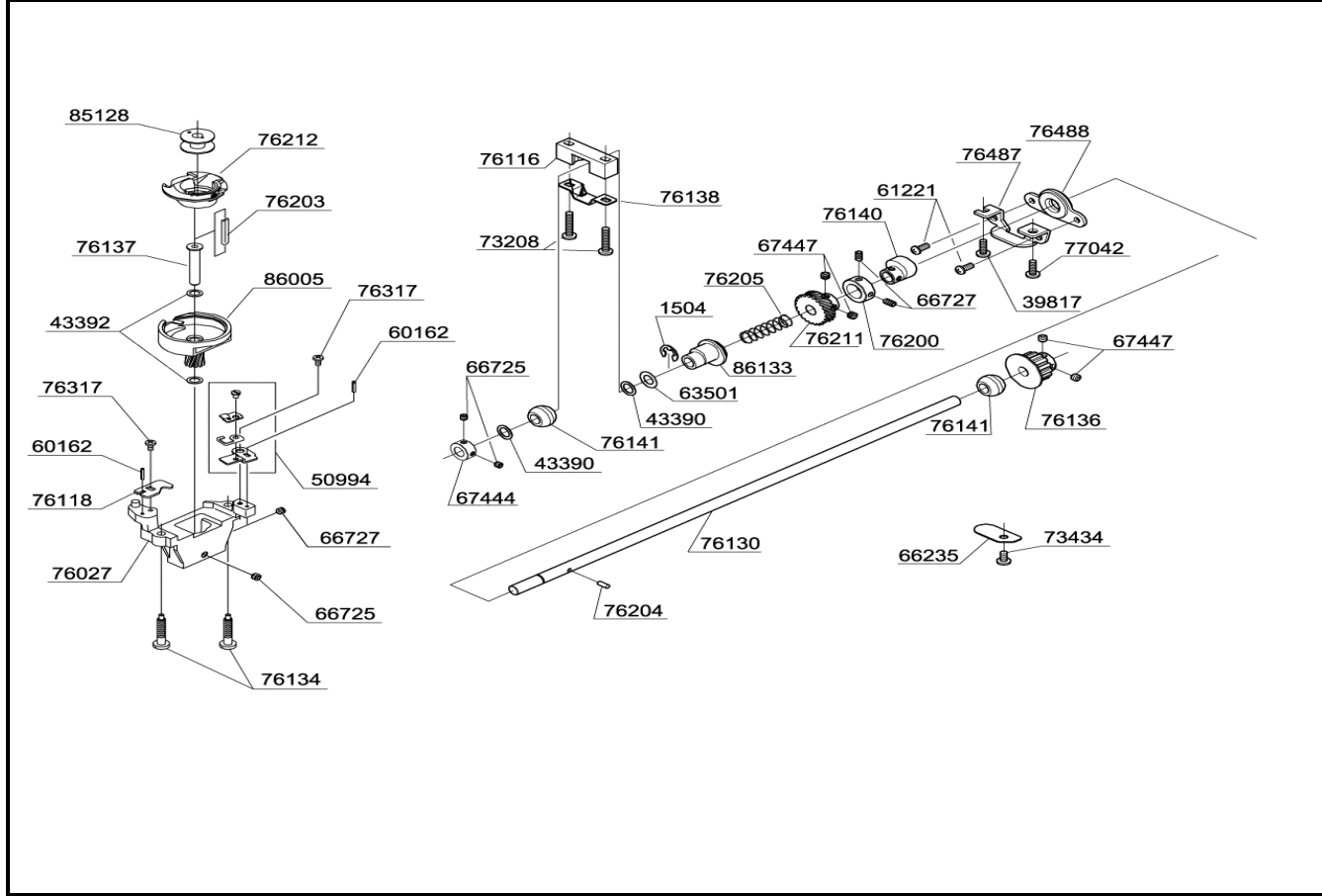
1520	E3 CLIP-ON-WASHER
8058	NEEDLE CLAMP SCREW
26934	#8 SCREW
28917	HOOK FOR SPRING
43658	THRUST WASHER
53740	SPRING WASHER
61222	M4 PHILLIPS SCREW
62215	M4 TORQUE NUT
66005	M2 PHILLIPS SCREW
66052	M4 SCREW
66259	M4 SCREW
66725	M4 SCREW
66727	M4 SCREW
67232	NEEDLE
68343	PIN
73304	M4 SCREW
74050	EXTENSION SPRING
75024	STOPPER
75025	GUIDE BLOCK
75027	COMPRESSION SPRING
76163	THREADER SHAFT SET
76170	SUPPORT BRACKET
76179	NEEDLE BAR SUPPORT
76181	SUPPORT CENTER PIN
76183	NEEDLE BAR
76189	SUPPORT PIN
76190	SUPPORT CENTER PIN
76196	THREAD GUIDE
76333	SUPPORT THREAD GUIDE
76349	SUPPORT BASE PIN
76349	CAP
77037	NEEDLE BAR CLAMP
77421	THREADER ASSEMBLY
80003	NEEDLE CLAMP SET

BUYER'S MODEL NO.	2662	SECTION	PAGE	REVISION	REMARKS	PART NO.	DESCRIPTION
BUYER'S MODEL NAME			<b>4</b>			1513	E4 CLIP-ON-WASHER
FACTORY MODEL	CA97861					8400	E5 CLIP-ON-WASHER
ORIGINAL ISSUE	March, 2003	SERIAL NO.				32316	WASHER



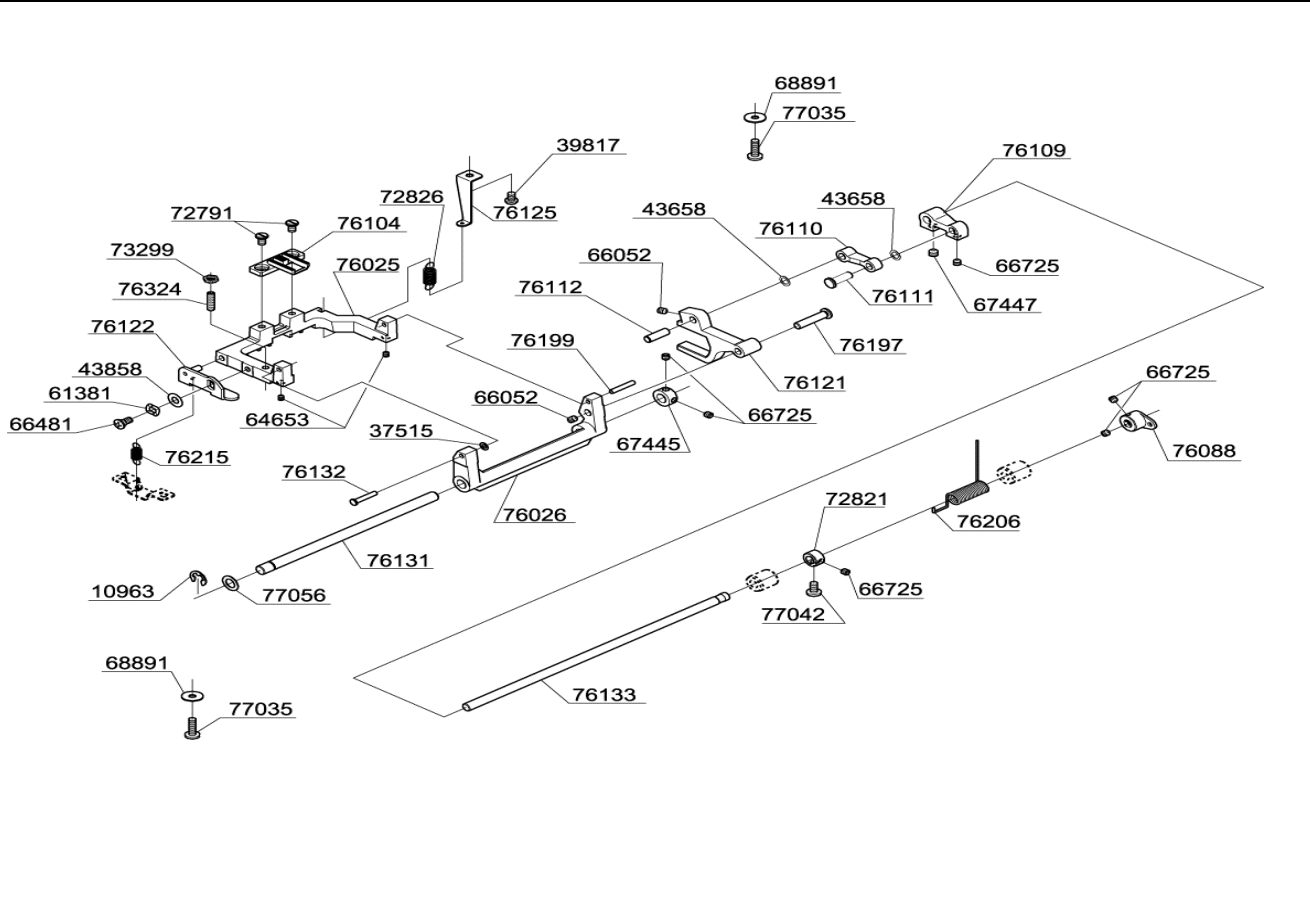
1513	E4 CLIP-ON-WASHER
8400	E5 CLIP-ON-WASHER
32316	WASHER
44894	WASHER
53740	SPRING WASHER
58741	CORD GUARD
61222	M4 PHILLIPS SCREW
66052	M4 SCREW
66259	M4 SCREW
66725	M4 SCREW
66727	M4 SCREW
67315	PRESSER BAR
68299	#7 SCREW FOR SHANK
72326	WASHER
75191	COMPRESSION SPRING
76167	DARNING CONTROL PLATE
76168	DARNING CONTROL BASE
76169	STRAIGHT PIN
76171	PRESSER BAR BRACKET
76250	PRESSER FOOT HOLDER
76251	ZIGZAG PRESSER FOOT
76340	PRESSER BAR BLOCK
76348	STRAIGHT PIN
76432	PRESSER CONTROL DIAL
77042	M4 PHILLIPS SCREW

BUYER'S MODEL NO.	2662	SECTION	PAGE	REVISION	REMARKS	PART NO.	DESCRIPTION
BUYER'S MODEL NAME			<b>5</b>				
FACTORY MODEL	CA97861						
ORIGINAL ISSUE	March, 2003		SERIAL NO.				



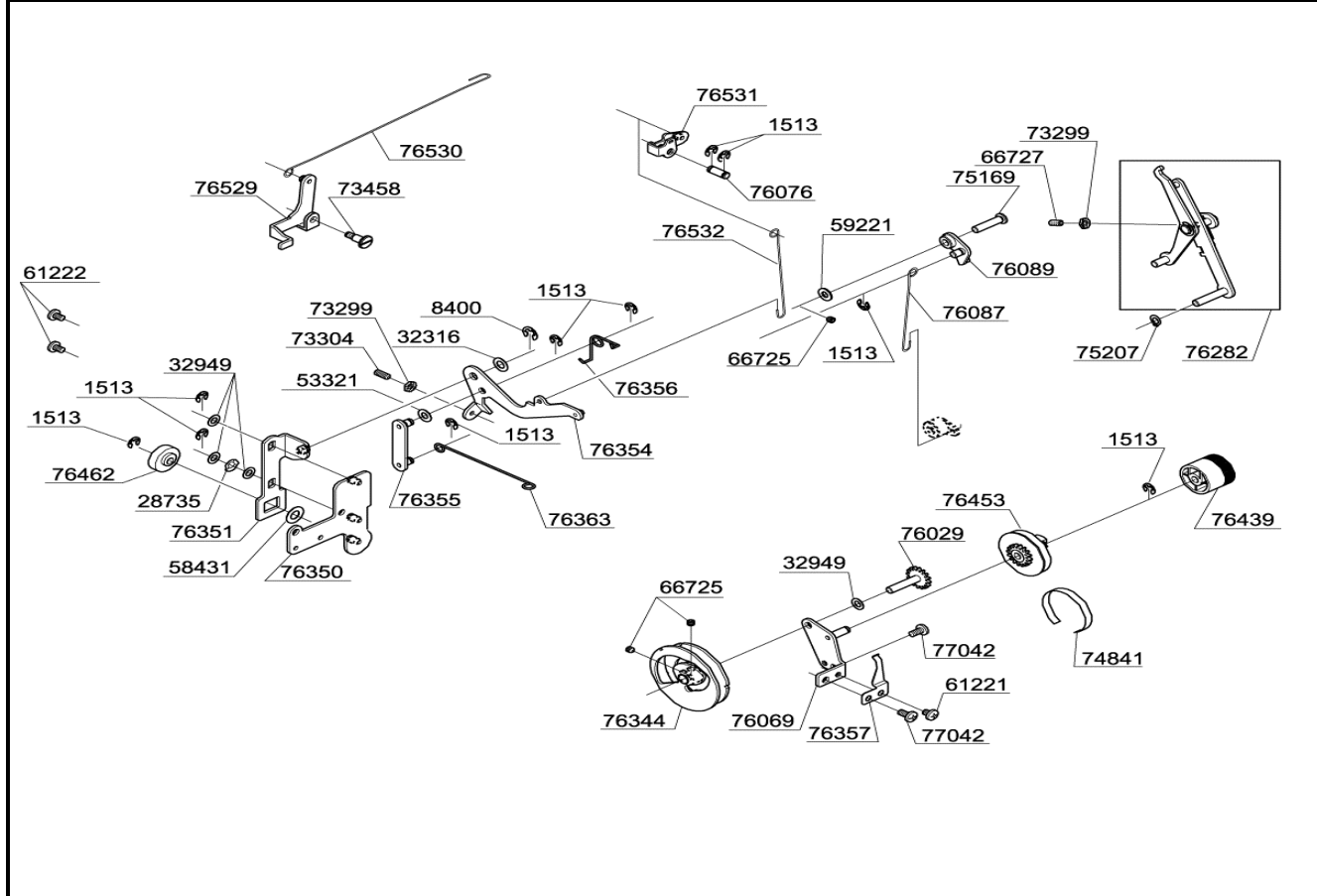
1504	E7 CLIP-ON-WASHER
39817	M4 PHILLIPS SCREW
43390	THRUST WASHER
43392	THRUST WASHER
50994	RETAINER SET
60162	KNOCK PIN
61221	M4 PHILLIPS SCREW
63501	WASHER
66235	SECURING PLATE
66725	M4 SCREW
66727	M4 SCREW
67444	COLLAR
67447	M5 SCREW
73208	M4 PHILLIPS SCREW
73434	M4 PHILLIPS SCREW
76027	SHUTTLE RACE BASE
76116	BALL METAL GUIDE
76118	BOBBIN CASE STOPPER
76130	LOWER SHAFT
76134	SCREW
76136	BELT METAL
76137	SHUTTLE RACE SHAFT
76138	SECURING PLATE
76140	FEED REGULATING
76141	BALL METAL
76200	COLLAR
76203	OILING CORD
76204	PIN
76205	TORSION SPRING
76211	BEVEL GEAR
76212	BOBBIN CASE
76317	M3 PHILLIPS SCREW
76487	LOWER SHAFT GUIDE BRACKET
76488	LOWER SHAFT GUIDE
77042	M4 PHILLIPS SCREW
85128	BOBBIN
86005	SHUTTLE RACE
86133	FEED LIFTING CAM

BUYER'S MODEL NO.	2662	SECTION	PAGE	REVISION	REMARKS	PART NO.	DESCRIPTION
BUYER'S MODEL NAME			<b>6</b>			10963	E6 CLIP-ON-WASHER
FACTORY MODEL	CA97861					37515	WASHER
ORIGINAL ISSUE	March, 2003	SERIAL NO.				39817	M4 PHILIPS SCREW



10963	E6 CLIP-ON-WASHER
37515	WASHER
39817	M4 PHILIPS SCREW
43658	THRUST WASHER
43858	WASHER
61381	CRINKLE WASHER
66052	M4 SCREW
64653	M3 SCREW
66481	M4 STUD SCREW
66725	M4 SCREW
67445	COLLAR
67447	M5 SCREW
68891	WASHER
72791	M4 SCREW
72821	COLLAR
72826	EXTENSION SPRING
73299	M4 TORQUE NUT
76025	FEED DOG BASE
76026	FEED REGULATING BRACKET
76088	FEED CONTROL LINK
76104	FEED DOGS
76109	FEED REGULATING LINK R.
76110	FEED REGULATING LINK L.
76111	HEADED PIN
76112	PIN
76121	FEED REGULATING ARM
76122	FEED BASE ADJUSTMENT
76125	SPRING HOOK PLATE
76131	HORIZONTAL FEED SHAFT
76132	SHAFT
76133	FEED REGULATING SHAFT
76197	HEADED PIN
76199	PIN
76206	TORSION SPRING
76215	SPRING
76324	M4 SCREW
77035	M4 PHILLIPS SCREW
77042	M4 PHILLIPS SCREW
77056	WASHER

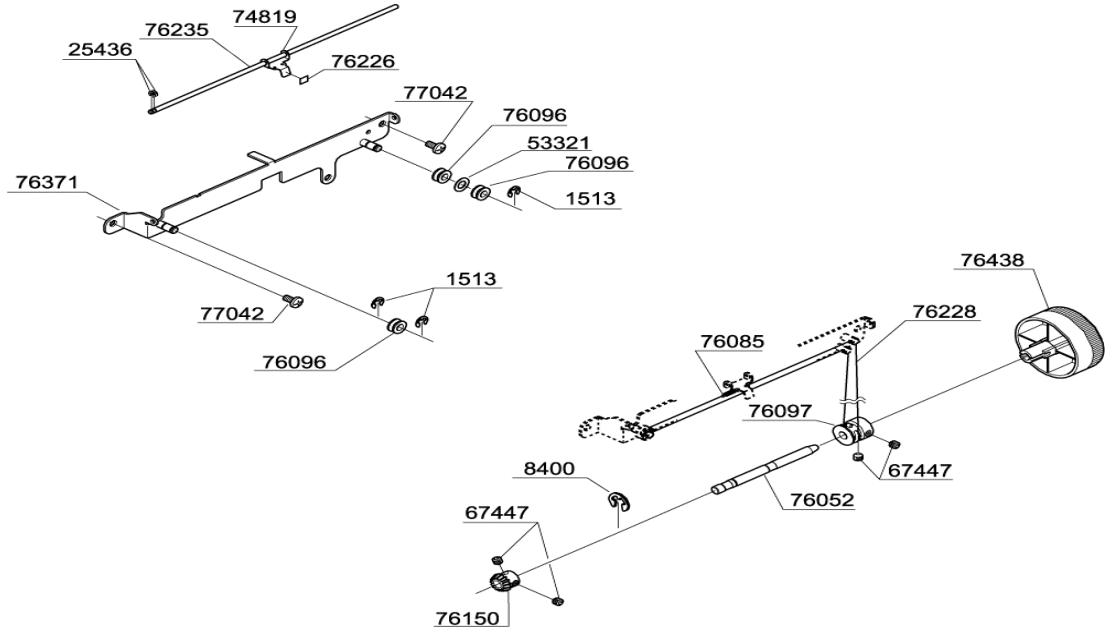
BUYER'S MODEL NO.	2662	SECTION	PAGE	REVISION	REMARKS	PART NO.	DESCRIPTION
BUYER'S MODEL NAME			<b>7</b>			1513	E4 CLIP-ON-WASHER
FACTORY MODEL	CA97861					8400	E5 CLIP-ON-WASHER
ORIGINAL ISSUE	March, 2003	SERIAL NO.				28735	CRINKLE WASHER



PART NO.	DESCRIPTION
1513	E4 CLIP-ON-WASHER
8400	E5 CLIP-ON-WASHER
28735	CRINKLE WASHER
32316	WASHER
32949	WASHER
53321	WASHER
58431	FIBER WASHER
59221	WASHER
61222	M4 PHILLIPS SCREW
61222	M4 PHILLIPS SCREW
66725	M4 SCREW
66727	M4 SCREW
73299	M4 TORQUE NUT
73304	M4 SCREW
73458	M4 STUD SCREW
74841	SEAL
75169	HEADED PIN
75207	GRIP RING
76029	PINION SHAFT
76069	SECURING SHAFT PLATE
76076	PIN
76087	R. CONNECTING ROD C
76089	FEED CONTROL ARM
76282	S.S. CHANGING LINK ASSEMBLY
76344	STITCH LENGTH CONTROL CAM
76350	BH TUNING SETTING PLATE
76351	BH TUNING SETTING PLATE
76354	FEED CONTROL LINK A
76355	FEED CONTROL LINK B
76356	TORSION SPRING
76357	LEAF SPRING
76363	BH WIRE ROD
76439	STITCH LENGTH CONTROL
76453	DIAL INDICATOR
76462	ECCENTRIC CAM
76529	R. FUNCTION PLATE
76530	CONNECTING ROD A
76531	R. LINK PLATE
76532	R. CONNECTING ROD B
77042	M4 PHILLIPS SCREW

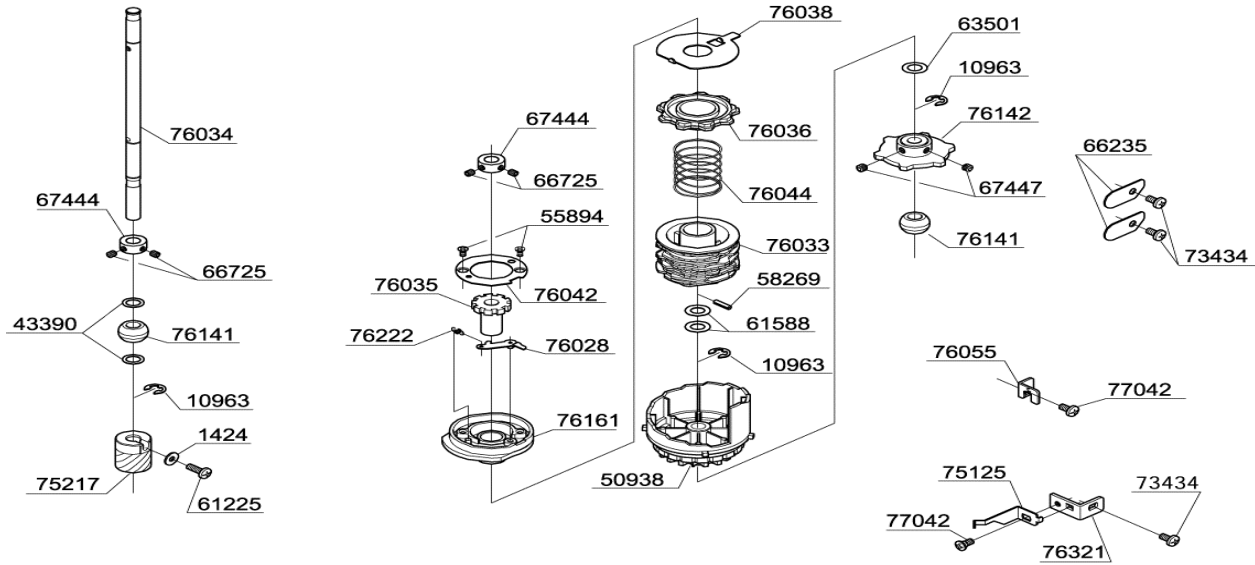


BUYER'S MODEL NO.	2662	SECTION	PAGE	REVISION	REMARKS	PART NO.	DESCRIPTION
BUYER'S MODEL NAME			<b>8</b>			1513	E4 CLIP-ON-WASHER
FACTORY MODEL	CA97861					8400	E5 CLIP-ON-WASHER
ORIGINAL ISSUE	March, 2003	SERIAL NO.				25436	E2 CLIP-ON-WASHER



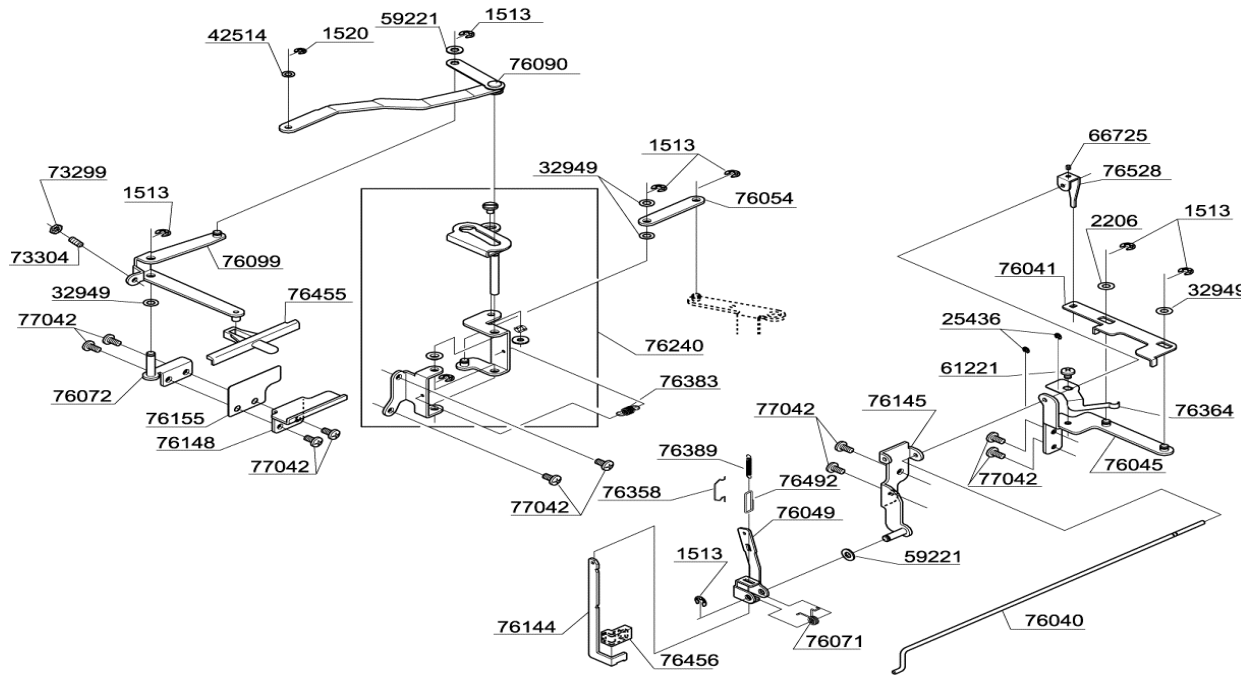
1513	E4 CLIP-ON-WASHER
8400	E5 CLIP-ON-WASHER
25436	E2 CLIP-ON-WASHER
53321	WASHER
67447	M5 SCREW
74819	INDICATOR
76052	SHAFT
76085	SPRING
76096	ROLLER
76097	INDICATOR DRIVER PULLEY
76150	BEVEL GEAR
76226	SEAL
76228	STRING (TETRON)
76235	STRAIGHT PIN
76371	INDICATOR GUIDE PLATE
76438	PATTERN SELECTING DIAL
77042	M4 PHILLIPS SCREW

BUYER'S MODEL NO.	2662	SECTION	PAGE	REVISION	REMARKS	PART NO.	DESCRIPTION
BUYER'S MODEL NAME			<b>9</b>			1424	WASHER
FACTORY MODEL	CA97861					10963	E6 CLIP-ON-WASHER
ORIGINAL ISSUE	March, 2003	SERIAL NO.				43390	THRUST WASHER



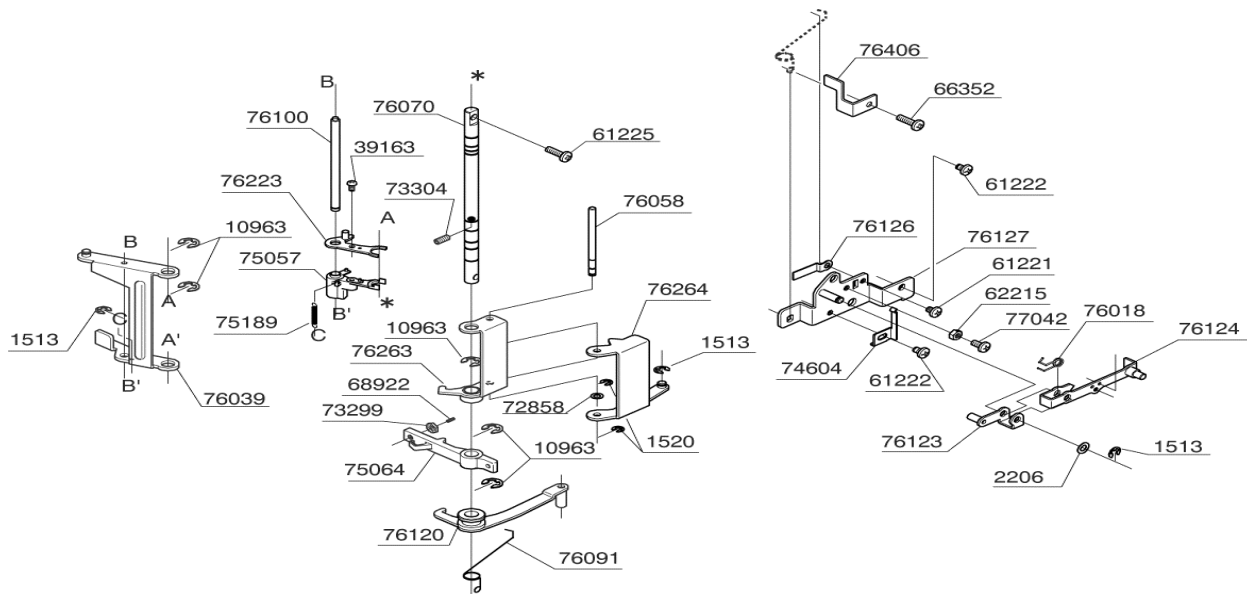
1424	WASHER
10963	E6 CLIP-ON-WASHER
43390	THRUST WASHER
50938	PATTERN SELECTING CAM
55894	TAPPING SCREW
58269	SPRING PIN
61225	M4 PHILLIPS SCREW
61588	WASHER
63501	WASHER
66235	SECURING PLATE
66725	M4 SCREW
67444	COLLAR
67447	M5 SCREW
73434	M4 PHILLIPS SCREW
75125	LEAF SPRING
75217	WORM GEAR
76028	BH NOTCH
76033	PATTERN CAM
76034	CAM SHAFT
76035	PINION
76036	BH WIDTH CAM
76038	BH RING PLATE
76042	BH CAP
76044	COMPRESSION SPRING
76055	RING STOPPER
76141	BALL METAL
76142	STRETCH STITCH CAM
76161	BH CAM
76222	SPRING
76321	BRACKET
77042	M4 PHILLIPS SCREW

BUYER'S MODEL NO.	2662	SECTION	PAGE	REVISION	REMARKS	PART NO.	DESCRIPTION
BUYER'S MODEL NAME			<b>10</b>			1513	E4 CLIP-ON-WASHER
FACTORY MODEL	CA97861					1520	E3 CLIP-ON-WASHER
ORIGINAL ISSUE	March, 2003	SERIAL NO.				2206	WASHER



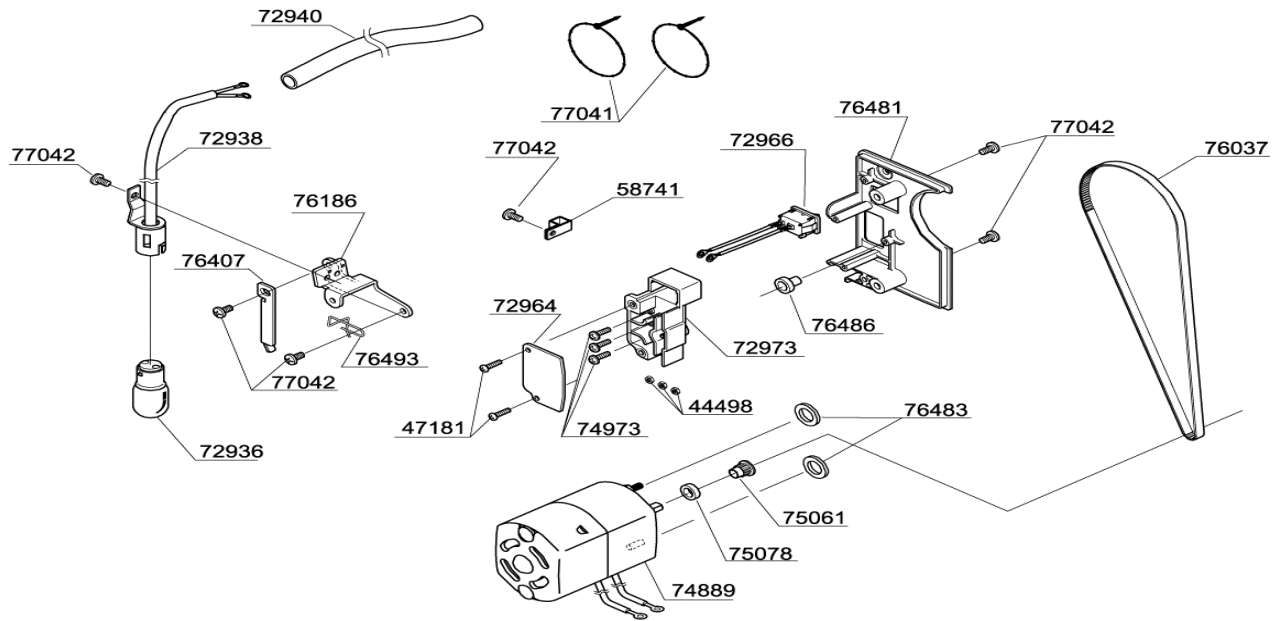
1513	E4 CLIP-ON-WASHER
1520	E3 CLIP-ON-WASHER
2206	WASHER
25436	E2 CLIP-ON-WASHER
32949	WASHER
42514	WASHER
59221	WASHER
61221	M4 PHILLIPS SCREW
66725	M3 SCREW
73299	M4 TORQUE NUT
73304	M4 SCREW
76040	BH CONNECTING ROD A
76041	BH SLIDE PLATE A
76045	BH SECURING PLATE
76049	BH CHANGEOVER LEVER
76054	ZZ CONTROL ARM
76071	TORSION SPRING
76072	ZZ LEVER SECURING PLATE
76090	ZIGZAG GUIDE BAR ASSEMBLY
76099	ZZ CONTROL PLATE
76144	BH FUNCTIONING PLATE
76145	BH SECURING PLATE
76148	ZZ LEVER BASE
76155	TORQUE SPRING
76240	ZZ WIDTH CONTROL BASE ASSEMBLY
76358	NOTCH SPRING
76364	PLATE SPRING
76383	EXTENSION SPRING
76389	EXTENSION SPRING
76455	ZZ LEVER
76456	BH LEVER CAP
76492	HOOK FOR SPRING
76528	BH CHANGE LEVER B
77042	M4 PHILLIPS SCREW

BUYER'S MODEL NO.	2662	SECTION	PAGE	REVISION	REMARKS	PART NO.	DESCRIPTION
BUYER'S MODEL NAME			<b>11</b>			1513	E4 CLIP-ON-WASHER
FACTORY MODEL	CA97861					1520	E3 CLIP-ON-WASHER
ORIGINAL ISSUE	March, 2003	SERIAL NO.				2206	WASHER



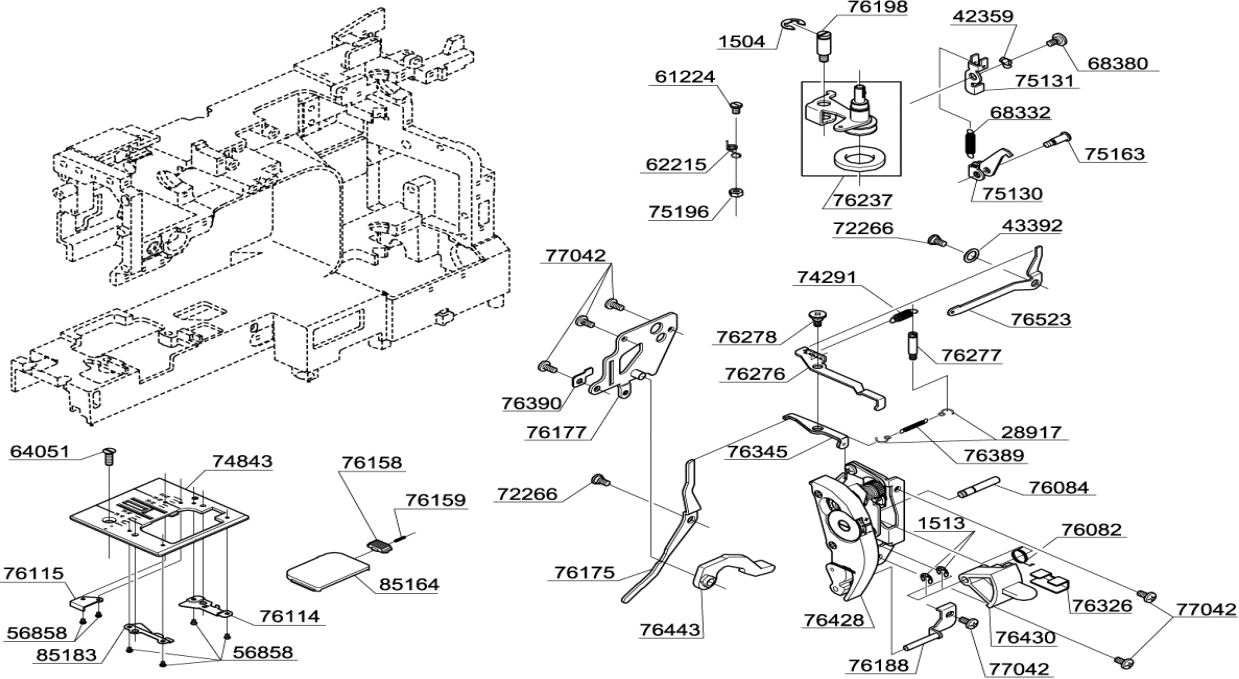
1513	E4 CLIP-ON-WASHER
1520	E3 CLIP-ON-WASHER
2206	WASHER
10963	E6 CLIP-ON-WASHER
39163	TAPPING SCREW
61221	M4 PHILLIPS SCREW
61222	M4 PHILLIPS SCREW
61225	M4 PHILLIPS SCREW
62215	M4 NUT
66352	M4 PHILLIPS SCREW
68922	M4 SCREW
72858	WASHER
73299	M4 TORQUE NUT
73304	M4 SCREW
74604	LEFT SPRING
75057	ZIGZAG GUIDE BLOCK
75064	PATTERN SELECTING CAM CLAW
75189	EXTENSION SPRING
76018	TORSION SPRING A
76039	GUIDE PLATE
76058	STRAIGHT SHAFT
76070	GUIDE SHAFT A
76091	TORSION SPRING
76100	GUIDE SHAFT B
76120	S.STITCH CAM FOLLOWER
76123	S.S.CONTROL PLATE A
76124	S.S.CONTROL PLATE B
76126	SPRING PLATE
76127	S.S.CONTROL BASE PLATE
76223	PATTERN REGULATING PLATE
76263	BH FEED REGULATING PLATE
76264	BH FEED PLATE
76406	LIMITING PLATE
77042	M4 PHILLIPS SCREW

BUYER'S MODEL NO.	2662	SECTION	PAGE	REVISION	REMARKS	PART NO.	DESCRIPTION
BUYER'S MODEL NAME			<b>12</b>			44498	M3 NUT
FACTORY MODEL	CA97861					47181	TAPPING SCREW
ORIGINAL ISSUE	March, 2003	SERIAL NO.				58741	CORD GUARD



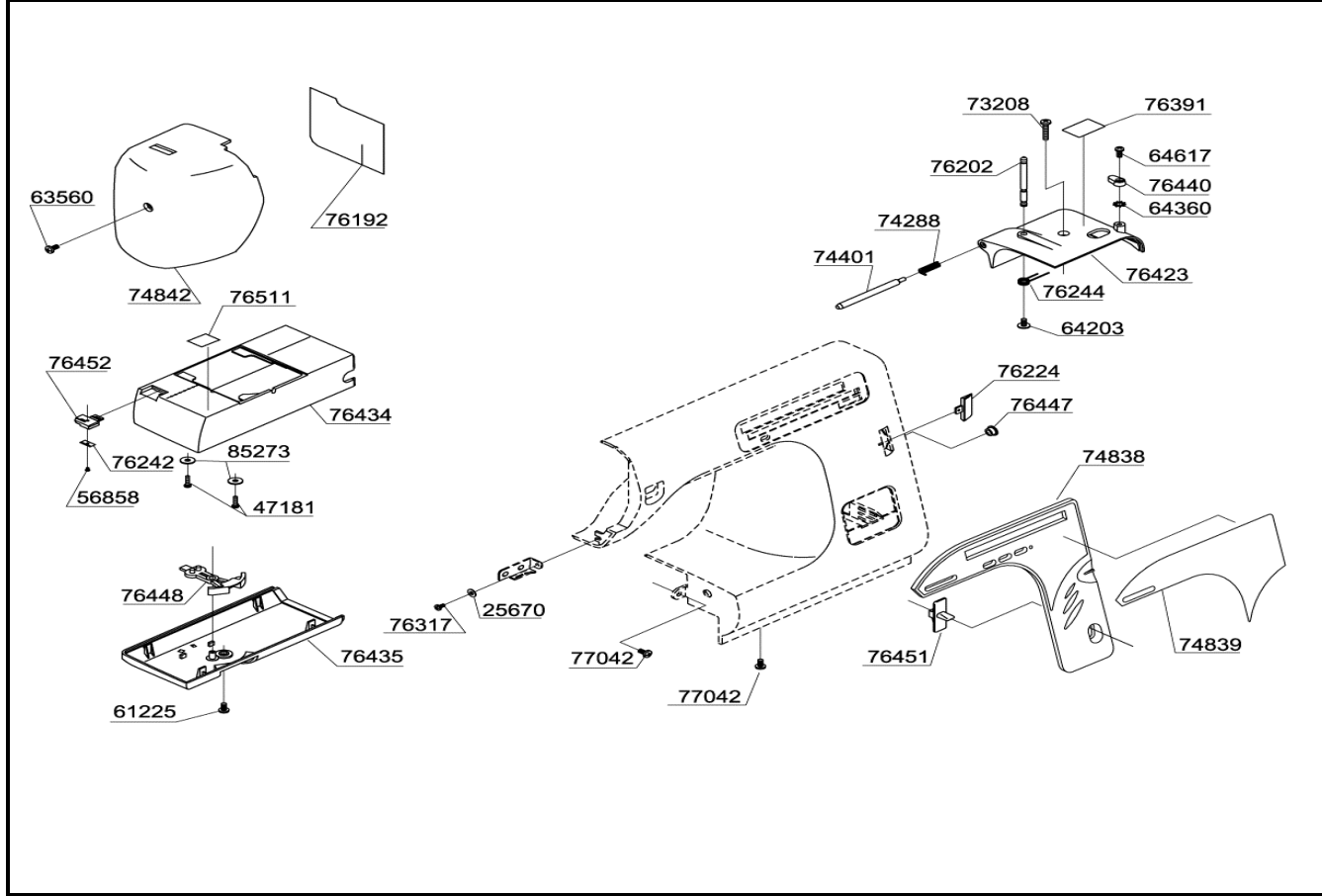
PART NO.	DESCRIPTION
44498	M3 NUT
47181	TAPPING SCREW
58741	CORD GUARD
72936	LIGHT BULB
72938	HARNES
72940	VINYL TUBE
72964	TERMINAL BLOCK COVER
72966	SWITCH ASSEMBLY
72973	TERMINAL BLOCK
74889	MOTOR
74973	M4 PHILLIPS SCREW
75061	MOTOR PULLEY
75078	MOTOR PULLEY FLANGE
76037	MOTOR BELT
76186	LAMP BASE PLATE
76407	LIMITING PLATE
76481	TERMINAL COVER
76483	WASHER
76486	PIN
76493	SPRING
77041	UNITY FASTENER
77042	M4 PHILLIPS SCREW

BUYER'S MODEL NO.	2662	SECTION	PAGE	REVISION	REMARKS	PART NO.	DESCRIPTION
BUYER'S MODEL NAME			<b>13</b>				
FACTORY MODEL	CA97861						
ORIGINAL ISSUE	March, 2003	SERIAL NO.					



1504	E7 CLIP-ON-WASHER
1513	E4 CLIP-ON-WASHER
28917	HOOK FOR SPRING
42359	CRINKLE WASHER
43392	THRUST WASHER
56858	M2 PHILLIPS SCREW
61224	M4 PHILLIPS SCREW
62215	M4 NUT
64051	M4 PHILLIPS SCREW
68332	EXTENSION SPRING
68380	M4 STUD SCREW
72266	STUD SCREW
74291	EXTENSION SPRING
74843	NEEDLE PLATE
75130	RATCHET A
75131	RATCHET B
75163	M4 STUD SCREW
75196	TORSION SPRING
76082	TORSION SPRING
76084	STRAIGHT PIN
76114	COVER GUIDE (R)
76115	THREAD CONTROL PLATE
76158	RELEASE LEVER
76159	COMPRESSION LEVER
76175	TENSION RELEASE LEVER A
76177	SECURING PLATE
76188	THREAD CONTROL PLATE
76198	SCREW WITH SHAFT
76237	BOBBIN WINDER COMPLETE
76276	AUTO-TENSION PLATE B
76277	STUD SCREW
76278	STUD SCREW
76326	PROTECTION PLATE
76345	TENSION RELEASE LEVER B
76389	EXTENSION SPRING
76390	SECURING PLATE
76428	THREAD GUIDE PLATE UNIT
76430	REVERSE STITCH LEVER
76443	PRESSURE BAR LIFTER
76523	AUTO-TENSION PLATE A
77042	M4 PHILLIPS SCREW
85164	SHUTTLE RACE COVER
85183	COVER GUIDE (L)

BUYER'S MODEL NO.	2662	SECTION	PAGE	REVISION	REMARKS	PART NO.	DESCRIPTION
BUYER'S MODEL NAME			<b>14</b>			25670	WASHER
FACTORY MODEL	CA97861					47181	TAPPING SCREW
ORIGINAL ISSUE	March, 2003	SERIAL NO.				56858	M2 PHILLIPS SCREW



25670	WASHER
47181	TAPPING SCREW
56858	M2 PHILLIPS SCREW
61225	M4 PHILLIPS SCREW
63560	M4 PHILLIPS SCREW
64203	TAPPING SCREW
64360	TOOTHED WASHER
64617	TAPPING SCREW
73208	M4 PHILLIPS SCREW
74288	TORSION SPRING
74401	SPOOL PIN
74838	CONTROL PANEL
74839	PATTERN PANEL
74842	FACE COVER
76192	REFLECTING SHEET
76202	SPOOL PIN
76224	STITCH LENGTH INDICATOR
76242	BLADE
76244	TORSION SPRING
76317	M3 PHILLIPS SCREW
76391	SEAL
76423	SPOOL STAND
76434	BED COVER
76435	BOTTOM COVER
76440	BOBBIN WINDER LATCH
76447	ARM CAP
76448	DROP KNOB
76451	KNOB
76452	BLADE FIXTURE
76511	SEAL
77042	M4 PHILLIPS SCREW
85273	WASHER





