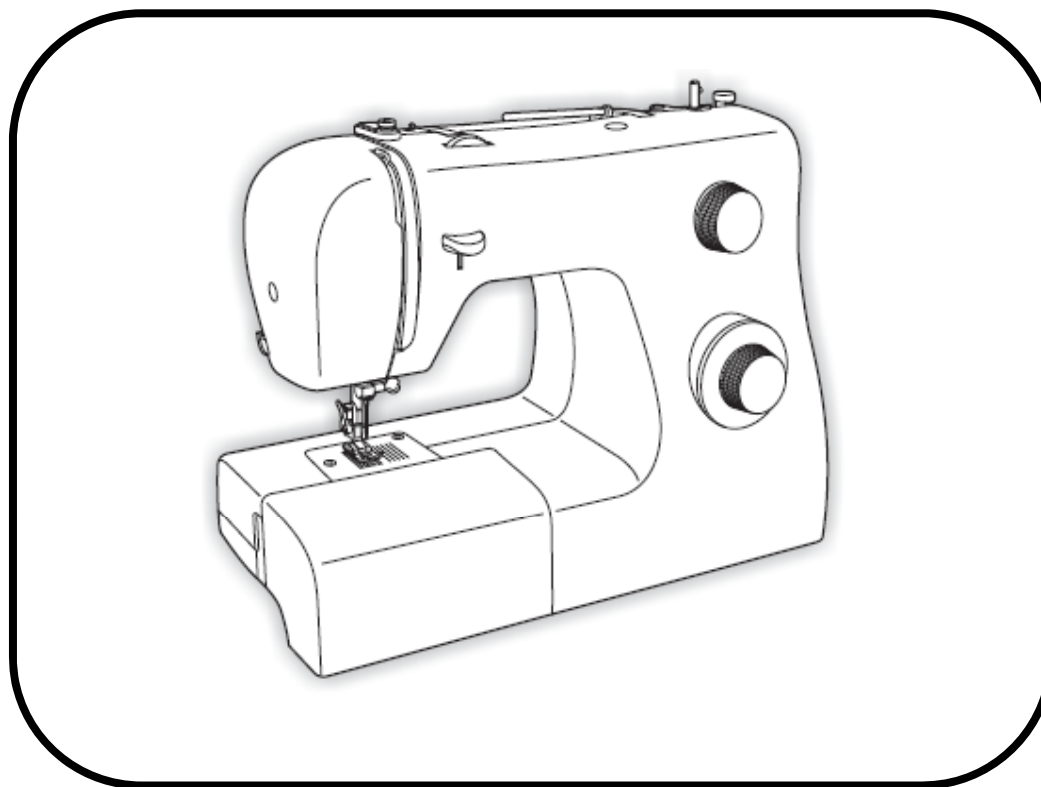


PARTS LIST



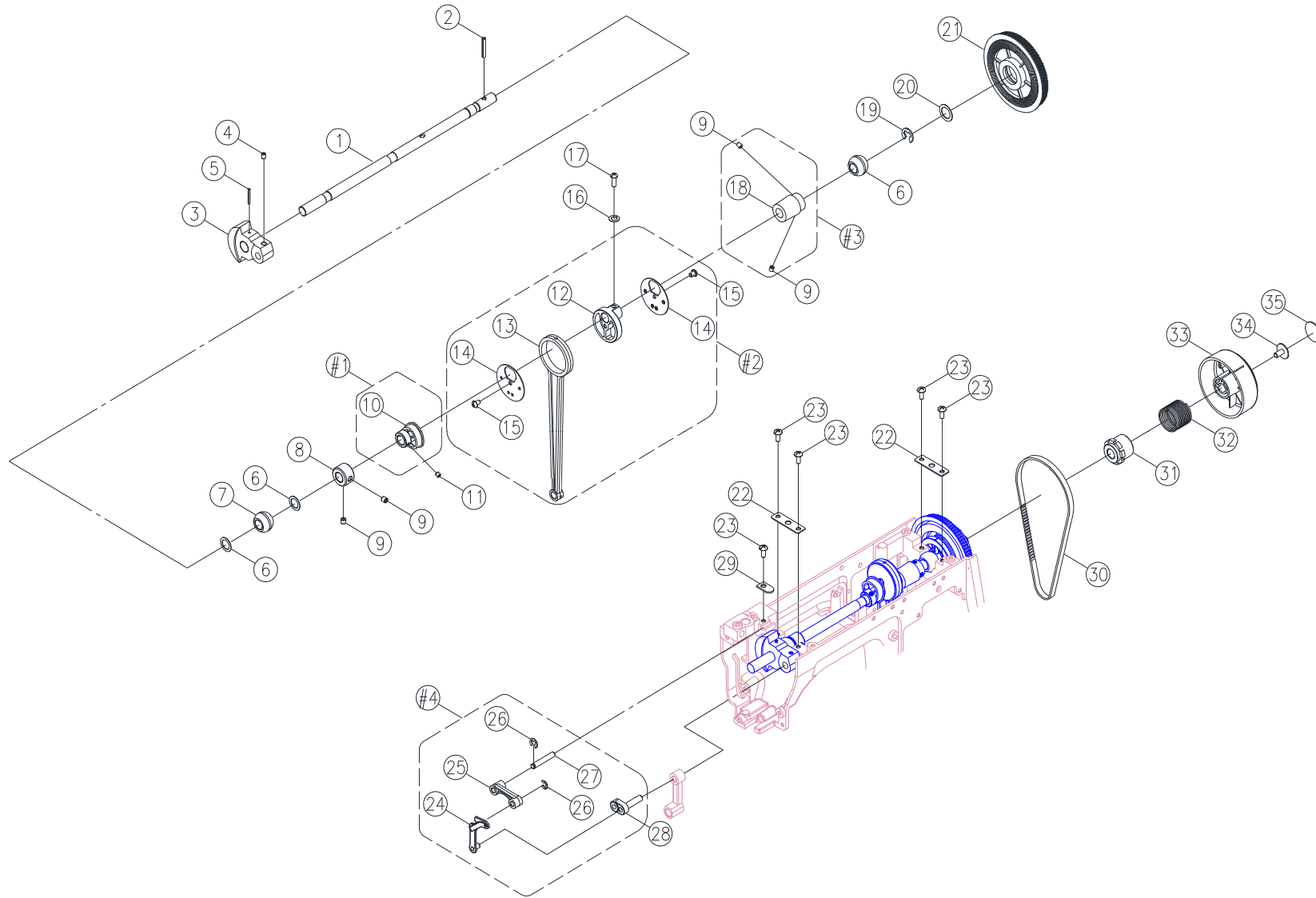
SINGER®

MODEL 2250.2259.2263

~ LIST OF CONTENTS ~

A. ARM SHAFT	1
B. PATTERN CAM CONTACT, REVERSE LEVER	3
C. NEEDLE BAR SUPPORTER, ZIGZAG REGULATOR CRANK	5
D. DIAL TENSION, BOBBIN WINDER, CLUTCH ROD, FREE ARM FOOT BUSH	7
E. FEED REGULATING, FORK ROD, FEED ROCK SHAFT, FEED LIFTING ROCK CRANK	10
F. LOWER SHAFT, SHUTTLE HOOK	12
G. MOTOR & LAMP HOLDER	14
H. FRONT COVER, BACK COVER	16
I. BOTTOM PLATE, BED COVER, FACE PLATE, SEWING TABLE	18
J. ACCESSORIES	20

A. ARM SHAFT

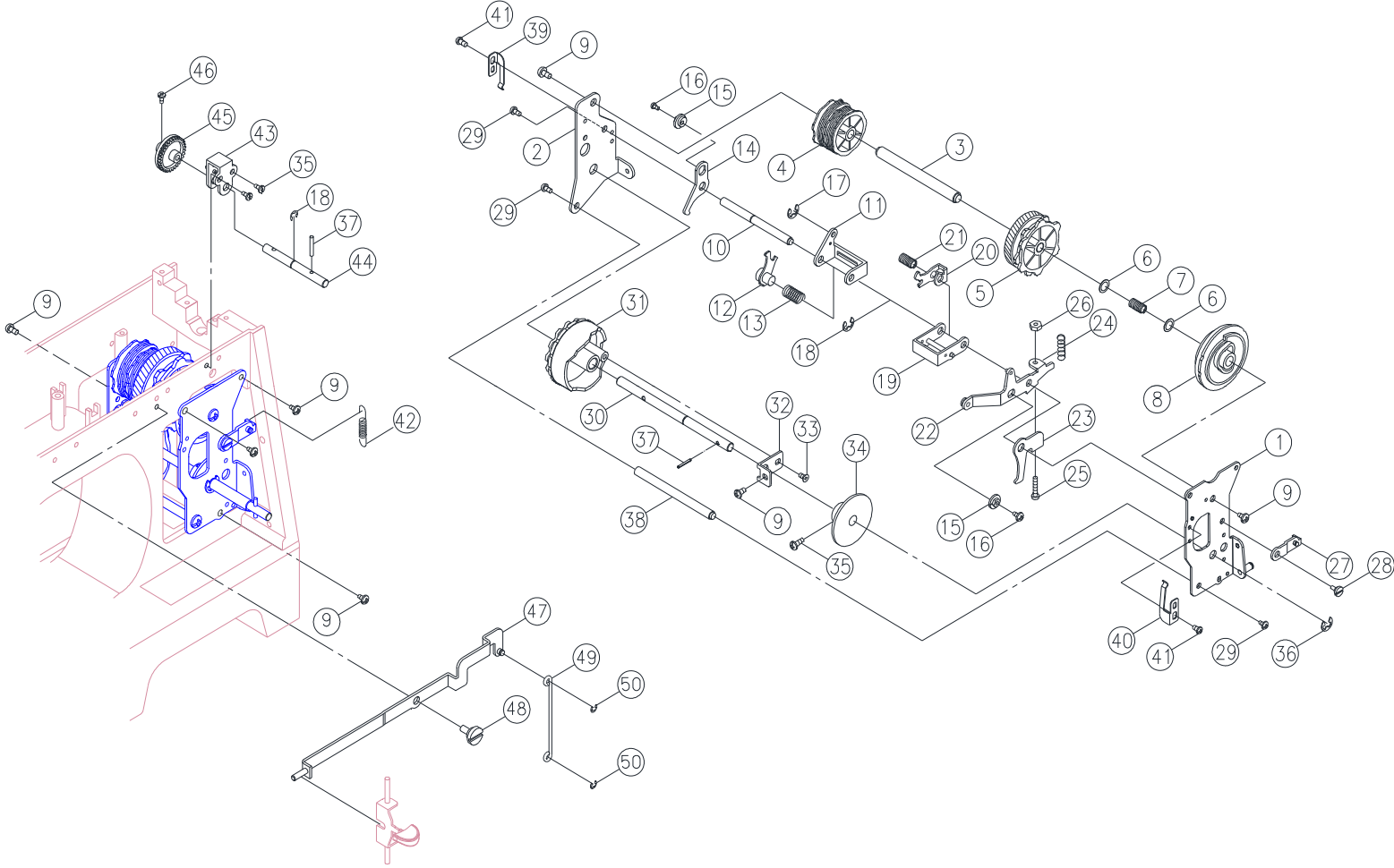


A. ARM SHAFT

NO.	ITEM NO.	NAME	REMARK
1	V60033000	ARM SHAFT	
2	003043018	SPRING PIN(ϕ 3×18)	
3	V61473000	ARM SHAFT BALANCE	
4	004250203	SET SCREW (M5×5C)	
5	003043524	ARM SHAFT BALANCE PIN (ϕ 3.5×24)	
6	004400080	ENDURE ATTRITION WASHER (ϕ 10.2× ϕ 15×0.5)	
7	R10293000	ARM SHAFT BUSING	
8	M1A0623003	ARM SHAFT COLLAR	
9	004240033	SET SCREW(M4×5 C)	
10	G4A0533000	FEED CAM	
11	004240503	SET SCREW(M4×4 C)	
12	V880603003	CRANK CONNECTING ROD CAM	
13	V880213000	CRANK CONNECTING ROD	
14	V880613003	CRANK CONNECTING ROD COVER	
15	004240012	SET SCREW (M4×4 B)	
16	004600026	WASHER(ϕ 4.2× ϕ 7.2×1.2)	
17	004107063	SET SCREW(11/64×40×12)	
18	V880423000	ARM SHAFT WORM	
19	003010093	E-RING (ETW-9)	
20	004300853	WASHER(ϕ 10.2× ϕ 15×0.5)	
21	E4A0143210	ARM SHAFT DRIVER BELT PULLEY	
22	V60113003	ARM SHAFT BUSHING HOLDER PLATE	
23	004240106	SET SCREW(M4×8 A)	
24	E1A2513001	THREAD TAKE UP LEVER	
25	V10523000	THREAD TAKE UP LEVER SUPPORTER	
26	003010043	E-RING (ETW-4)	
27	V60223003	THREAD TAKE UP LEVER SUPPORTER SHAFT	
28	V10543000	ARM SHAFT BALANCE PIN	
29	H13093003	SET WASHER	
30	007156XXL5	MOTOR DRIVE BELT (156XXL)	
31	R10403000	ARM SHAFT COLLAR	
32	R10393000	ARM SHAFT CLUTCH ANNULUS SPRING	

NO.	ITEM NO.	NAME	REMARK
33	V6E0233210	HAND WHEEL	
34	004250016	SET SCREW (M5×10)	
35	V16893210	HAND WHEEL DECORATED PLATE	
#1	G4A0535000	FEED CAM COMPLETE	
#2	V880214000	CRANK CONNECTING ROD COMPLETE	
#3	V880424000	ARM SHAFT WORM COMPLETE	
#4	E1A2534000	THREAD TAKE UP LEVER COMPLETE	

B. PATTERN CAM CONTACT, REVERSE LEVER

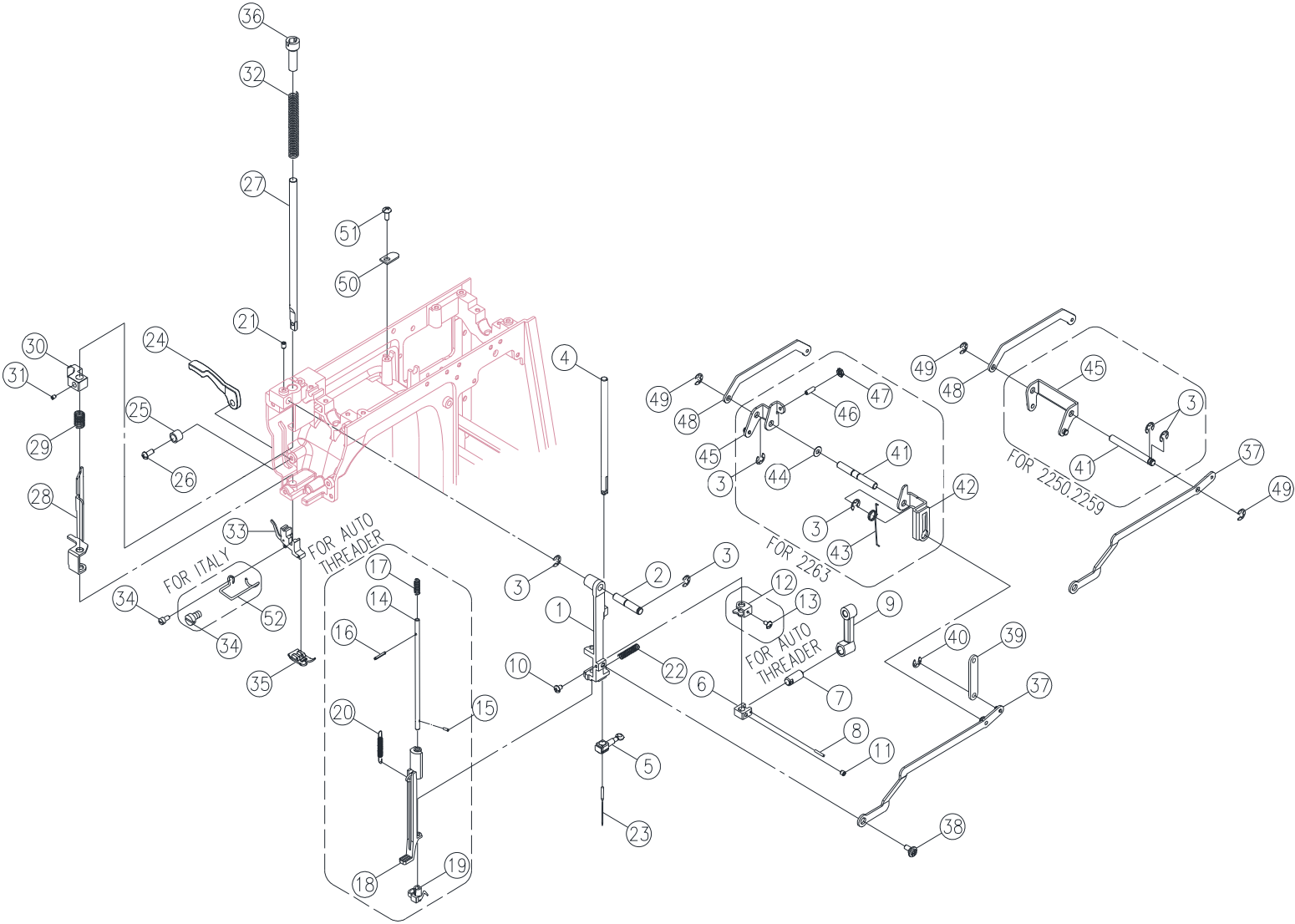


B. PATTERN CAM CONTACT, REVERSE LEVER

NO.	ITEM NO.	NAME	REMARK
1	V6E0363003	PATTERN CAM CONTACT PLATE (FRONT)	
2	V6E0353003	PATTERN CAM CONTACT PLATE (BACK)	
3	V60643003	PATTERN CAM SHAFT	
4	V8E0033000	PATTERN CAM	FOR 2250
	V60653000	PATTERN CAM	FOR 2259.2263
5	V60663000	SS CAM	FOR 2259.2263
6	004300823	WASHER (φ8.2×φ12×0.25)	
7	V11603003	PATTERN CAM SHAFT SPRING	FOR 2250
	V60673003	PATTERN CAM SHAFT SPRING	FOR 2259.2263
8	V60683000	FEED REGULATOR CAM	
9	004240106	SET SCREW (M4×8 A)	
10	V6E1173000	ZIGZAG CAM CONTACT SUPPORTER SHAFT	FOR 2250
	V60693000	ZIGZAG CAM CONTACT SUPPORTER SHAFT	FOR 2259.2263
11	V60703008	ZIGZAG CAM CONTACT SUPPORTER	
12	V60713003	ZIGZAG CAM CONTACT	
13	V10693003	ZIGZAG CAM CONTACT SPRING	
14	V60723003	ZIGZAG REGULATOR PLATE	
15	V60733000	ZIGZAG REGULATOR NUT	
16	004230316	SET SCREW (M3×10 B)	
17	003010043	E-RING (ETW-4)	
18	003010053	E-RING (ETW-5)	
19	V60743003	SS CAM CONTACT SUPPORTER	FOR 2259.2263
20	V60763003	SS CAM CONTACT	FOR 2259.2263
21	V60773003	SS CAM CONTACT SPRING	FOR 2259.2263
22	V880375000	FEED REGULATOR CRANK COMPLETE	FOR 2250
	V60783003	FEED REGULATOR CRANK	FOR 2259.2263
23	V60803003	BH REGULATOR PLATE	
24	V60813003	BH SPRING	
25	004240706	SET SCREW (M4×20)	
26	004840106	NUT (ALN-4)	
27	V610063003	REVERSE PLATE	
28	004230583	SET SCREW	

NO.	ITEM NO.	NAME	REMARK
29	004230016	SET SCREW (M3×6 A)	
30	V6E0063003	PATTERN SELECTOR CAM SHAFT	
31	V70053000	PATTERN SELECTOR CAM	FOR 2250.2259
	V60843000	PATTERN SELECTOR CAM	FOR 2263
32	V60853003	PATTERN SELECTOR CAM PLATE	
33	004240166	SET SCREW (M4×8)	
34	V6E0383000	BH PATTERN SELECTOR CAM	
35	004241046	SET SCREW (M4×10A)	
36	003010063	E-RING (ETW-6)	
37	003042516	SPRING PIN(φ2.5×16)	
38	V60823003	PATTERN CAM CONTACT SUPPORTER SHAFT	
39	V60873003	PATTERN PLATE	
40	V60883003	FEED REGULATOR	
41	004240056	SET SCREW (M4×6 B)	
42	M70093000	SPRING	
43	V8E0015000	STITCH LENGTH DIAL SUPPORT PLATE COMP	FOR 2250
	V5E0015000	STITCH LENGTH DIAL SUPPORT PLATE COMP	FOR 2259.2263
44	V6E0043003	STITCH LENGTH DIAL SHAFT	
45	V6E0033000	STITCH LENGTH GEAR	
46	004235016	SET SCREW (M3.5×6)	
47	V6E0113006	REVERSE LEVER	
48	004240883	REVERSE LEVER SET SCREW (M4)	
49	V610093003	REVERSE ROD	
50	003010036	E-RING (ETW-3)	

C. NEEDLE BAR SUPPORTER, ZIGZAG REGULATOR CRANK



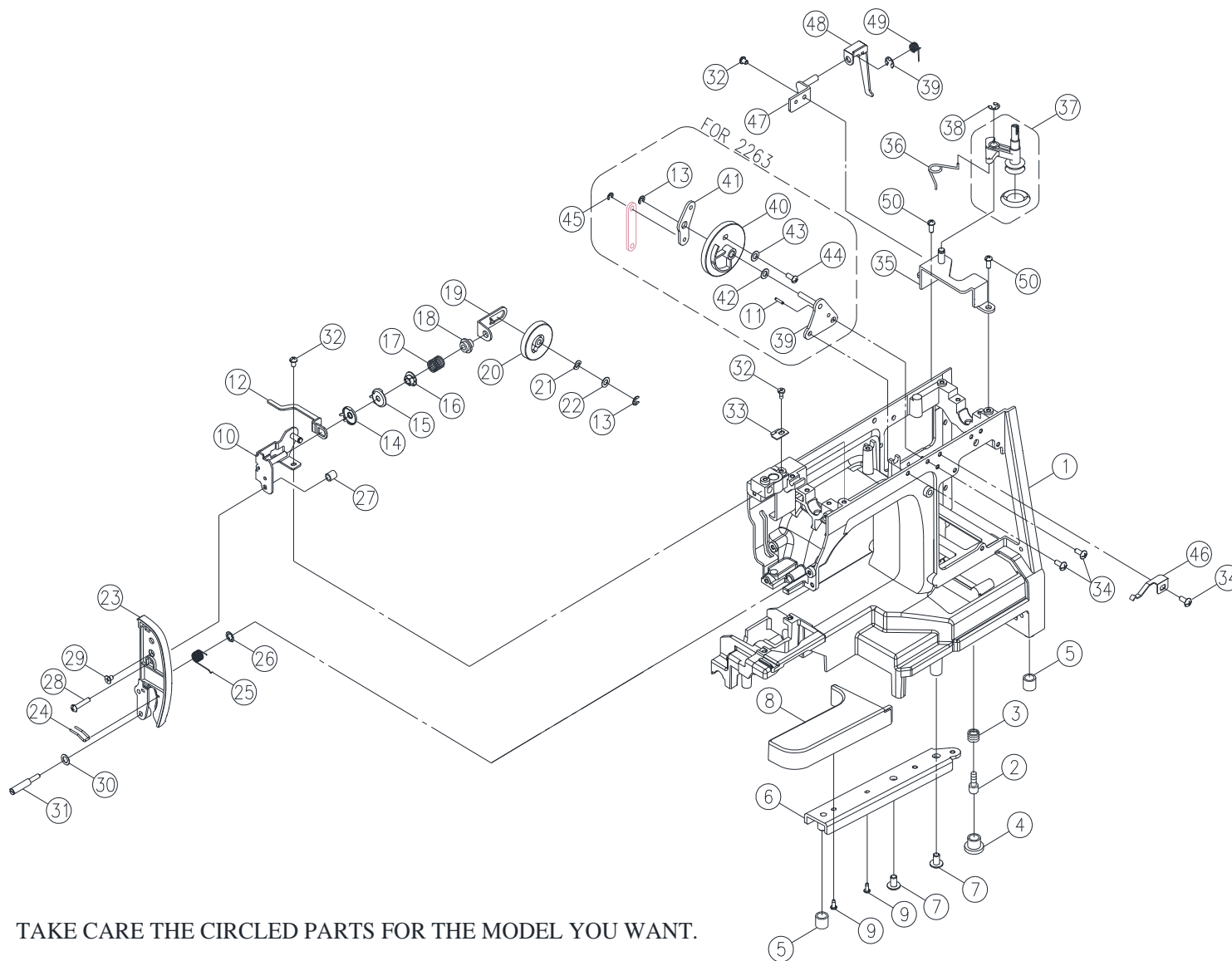
TAKE CARE THE CIRCLED PARTS FOR THE MODEL YOU WANT.

C. NEEDLE BAR SUPPORTER, ZIGZAG REGULATOR CRANK

NO.	ITEM NO.	NAME	REMARK
1	V61753002	NEEDLE BAR SUPPORTER	FOR AUTO THREADER
	V6E0503000	NEEDLE BAR SUPPORTER	
2	R12723003	NEEDLE BAR SUPPORTER PIN	FOR AUTO THREADER
	N80223003	NEEDLE BAR SUPPORTER PIN	
3	003010053	E-RING (ETW-5)	
4	V70273000	NEEDLE BAR	
5	TA11034000	NEEDLE CLAMP COMPLETE	
6	V880393003	NEEDLE BAR BRACKET (1)	
7	V880483000	NEEDLE BAR BRACKET (2)	
8	0030400020	PIN (ϕ2×12)	
9	V880633000	NEEDLE BAR CRANK ROD	
10	004106202	SET SCREW(9/64×40×6)	
11	004240503	SET SCREW (M4×4 C)	
12	M70073002	AUTO THREADER STOPPER	FOR AUTO THREADER
13	0042300126	SET SCREW (M3×8 A)	FOR AUTO THREADER
14	V61843002	AUTO THREADER SHAFT	FOR AUTO THREADER
15	M70043000	SPRING PIN (ϕ2×6)	FOR AUTO THREADER
16	003042014	SPRING PIN (ϕ2×14)	FOR AUTO THREADER
17	R12793003	AUTO THREADER SHAFT SPRING	FOR AUTO THREADER
18	R10083000	AUTO THREADER LERER	FOR AUTO THREADER
19	E1A2125000	AUTO THREADER	FOR AUTO THREADER
20	M70093000	AUTO THREADER LERER SPRING	FOR AUTO THREADER
21	004240033	SET SCREW (M4×5 C)	
22	H50583003	NEEDLE BAR SUPPORTER SPRING	
23	006176008	NEEDLE (14#)	
24	V880153000	PRESSER BAR LIFTER LEVER	
25	V60163000	PRESSER BAR LIFTER LEVER SCREW WASHER	
26	004240046	SET SCREW (M4×10 B)	
27	V70153002	PRESSER BAR	
28	V880573003	TENSION LEVER LIFTER	
29	H10723003	TENSION LEVER LIFTER SPRING	
30	H10533002	PRESSER BAR BRACKET	

NO.	ITEM NO.	NAME	REMARK
31	004260023	SET SCREW(M6×5 C)	
32	V70163003	PRESSER BAR SPRING	
33	006187008	SHANK COMPLETE	
34	004106221	SHANK SCREW (9/64×40×8)	
	004106121	SHANK SCREW (9/64×40×9.5)	FOR FINGER PROTECTOR
35	006806008	ALL PURPOSE FOOT(J)	
36	Z11993211	PRESSER BAR REGULATING SCREW	
37	V70023003	NEEDLE BAR DRIVING ROD	FOR 2250.2259
	V60175003	NEEDLE BAR DRIVING ROD COMPLETE	FOR 2263
38	E1A2993000	NEEDLE BAR DRIVING ROD PIN	
39	V6E0083006	ZIGZAG WIDTH CRANK ROD	FOR 2263
40	003010036	E-RING (ETW-3)	FOR 2263
41	V70103003	ZIGZAG CONTACT SUPPORTER SHAFT	FOR 2250.2259
	V60993003	ZIGZAG CONTACT SUPPORTER SHAFT	FOR 2263
42	V61003003	ZIGZAG WIDTH REGULATING CAM BOX	FOR 2263
43	V61033003	ZIGZAG WIDTH SPRING	FOR 2263
44	004300493	WASHER(ϕ14×ϕ6.2×3)	FOR 2263
45	V70093003	ZIGZAG REGULATOR CRANK	FOR 2250.2259
	V61013003	ZIGZAG REGULATOR CRANK	FOR 2263
46	004106053	SET SCREW (9/64×40×11)	FOR 2263
47	004706013	NUT (9/64×40×3)	FOR 2263
48	V61043003	ROD	
49	003010043	E-RING (ETW-4)	
50	H13093003	CARRYING HANDLE PLATE	
51	004240106	SET SCREW(M4×8 A)	
52	H70183001	FINGER PROTECTOR	FOR ITALY

D. DIAL TENSION, BOBBIN WINDER, CLUTCH ROD, FREE ARM FOOT BUSH



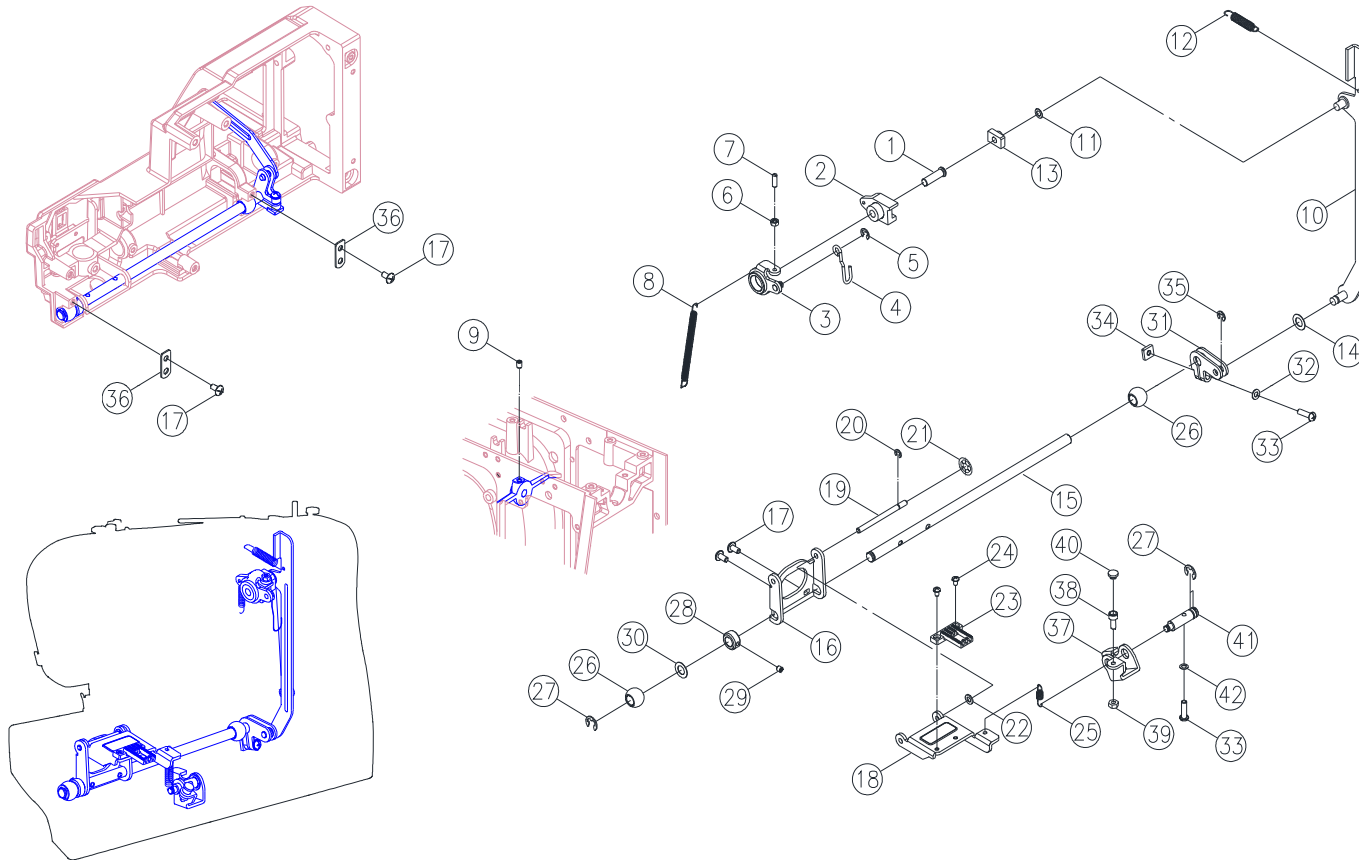
TAKE CARE THE CIRCLED PARTS FOR THE MODEL YOU WANT.

D. DIAL TENSION, BOBBIN WINDER, CLUTCH ROD, FREE ARM FOOT BUSH

NO.	ITEM NO.	NAME	REMARK
1	V6E1013000	ARM	
2	K82133006	BASE PLATE ADJUSTMENT SCREW	
3	K82073003	BASE PLATE ADJUSTMENT SCREW SPRING	
4	E1A2503002	ADJUSTMENT FREE ARM BASE CUSHION RUBBER	
5	K6A0063002	FREE ARM BASE CUSHION RUBBER	
6	V6E1024000	FREE ARM FOOT	
7	004260056	SET SCREW (M6×10)	
8	V6E1143210	FREE ARM FOOT BASE	
9	004230796	SET SCREW (M3×8)	
10	V880553002	DIAL TENSION SUPPORTER PLATE	
11	003043010	SPRING PIN (φ3×10)	
12	V880563003	DIAL TENSION WAFT PLATE	
13	003010043	E-RING (ETW-4)	
14	J30423001	DIAL TENSION DISC (1)	
15	E1A2333001	DIAL TENSION DISC	
16	D6B0623000	DIAL TENSION SPRING REGULATOR	
17	NB1083000	DIAL TENSION SPRING	
18	K50193000	DIAL TENSION REGULATOR	
19	V60273006	DIAL TENSION SPRING PLATE	
20	V8ED003210	DIAL TENSION KNOB	
21	004500360	WASHER (WW-5)	
22	004300643	WASHER (φ5.2×φ10×0.5)	
23	V8EA003210	DIAL TENSION SUPPORTER PLATE COVER	
24	V61873001	THREAD GUIDE	
25	V60303000	THREAD GUIDE SPRING	
26	003020053	CS-RING (CSTW-5)	
27	G4A1623001	DIAL TENSION GUIDE SPRING TUBE	
28	004240086	SET SCREW (M4X20B)	
29	004240176	SET SCREW (M4×6 D)	
30	004300136	WASHER (φ4.2×φ8×0.8)	
31	004240982	SET SCREW (M4×14)	
32	004240056	SET SCREW (M4×6 B)	

NO.	ITEM NO.	NAME	REMARK
33	V880583003	TENSION LEVER REGULATING PLATE	
34	004240106	SET SCREW (M4×8 A)	
35	V6E1055006	BOBBIN WINDER FRAME COMPLETE	
36	K6A0573003	BOBBIN WINDER CRANK SPRING	
37	V6E1065000	BOBBIN WINDER CRANK COMPLETE	
38	003010053	E-RING (ETW-5)	
39	V6E0093006	ZIGZAG WIDTH DIAL PLATE	FOR 2263
40	V5EW003210	ZIGZAG WIDTH DIAL	FOR 2263
41	V6E0073006	ZIGZAG WIDTH CRANK	FOR 2263
42	004300156	WASHER (φ6.4×φ13×1)	FOR 2263
43	004300076	WASHER(φ4.2×φ9×0.5)	FOR 2263
44	004240046	SET SCREW (M4×10 B)	FOR 2263
45	003010036	E-RING (ETW-3)	FOR 2263
46	V61443003	NEEDLE POSITION PLATE	FOR 2263
47	K6A1043003	CLUTCH ROD PLATE	
48	P3A1173003	CLUTCH ROD	
49	P3A1183003	CLUTCH ROD SPRING	
50	004240066	SET SCREW (M4×8 B)	

E. FEED REGULATING, FORK ROD, FEED ROCK SHAFT, FEED LIFTING ROCK CRANK

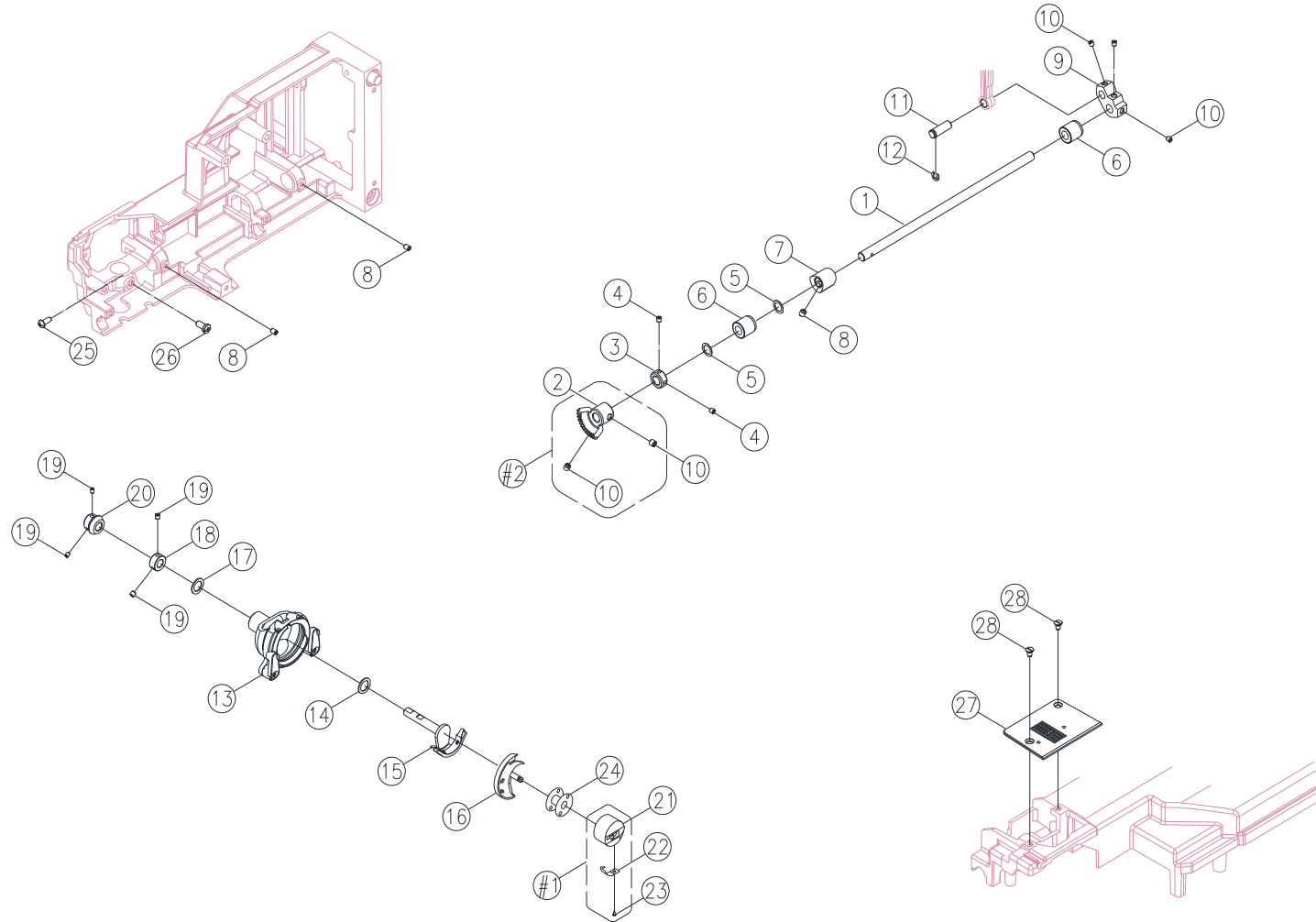


E. FEED REGULATING, FORK ROD, FEED ROCK SHAFT, FEED LIFTING ROCK CRANK

NO.	ITEM NO.	NAME	REMARK
1	V60443000	FEED REGULATING SHAFT	
2	V60433000	FEED REGULATING	
3	V60395000	FEED REGULATING PLATE COMPLETE	
4	V60423003	FEED ROD	
5	003010046	E-RING(ETW-4)	
6	004706013	NUT (9/64×40 T=3)	
7	004106053	SET SCREW(9/64×40×11)	
8	V70063003	FEED REGULATING SPRING	
9	004240223	SET SCREW (M4×6 C)	
10	V60453003	FORK ROD	
11	004400180	ENDURE ATTRITION WASHER(φ5.7×φ10.2×0.5)	
12	V60463003	FORK ROD SPRING	
13	V11533000	FEED REGULATING BLOCK	
14	004400450	ENDURE ATTRITION WASHER(φ5.5×φ12×0.25)	
15	V60483000	FEED ROCK SHAFT	
16	V60493003	FEET ROCK FRAME	
17	004240106	SET SCREW(M4×8 A)	
18	V60503003	FEED DOG FRAME	
19	V60513003	FEED DOG FRAME SHAFT	
20	003010036	E-RING(ETW-3)	
21	003090043	NUT(SPN-4)	
22	004300136	WASHER(φ4.2×φ8×0.8)	
23	V620523000	FEET DOG	
24	004230056	SET SCREW(M3×5 B)	
25	V60533003	FEED DOG FRAME SPRING	
26	V60343000	FEED ROCK BUSHING	
27	003010063	E-RING(ETW-6)	
28	H11943003	PATTERN CAM SHAFT COLLAR	
29	004240503	SET SCREW(M4×4 C)	
30	004400410	ENDURE ATTRITION WASHER(φ8.2×φ12×0.25)	
31	V60553003	FEED ROCK CRANK	
32	004300093	WASHER(φ4×φ8×0.5)	

NO.	ITEM NO.	NAME	REMARK
33	004240146	SET SCREW(M4×15 B)	
34	004840073	FEED ROCK CRANK NUT (M4)	
35	003010043	E-RING(ETW-4)	
36	V60563003	BUSHING HOLDER PLATE	
37	V60583003	FEED LIFTING ROCK CRANK	
38	004250323	SEW SCREW	
39	004840022	NUT(M4 T=3)	
40	K81243000	SEW SCREW KNOB	
41	V60593003	FEED LIFTING ROCK SHAFT	
42	004600026	WASHER(φ4.2×φ7.2×1.2)	

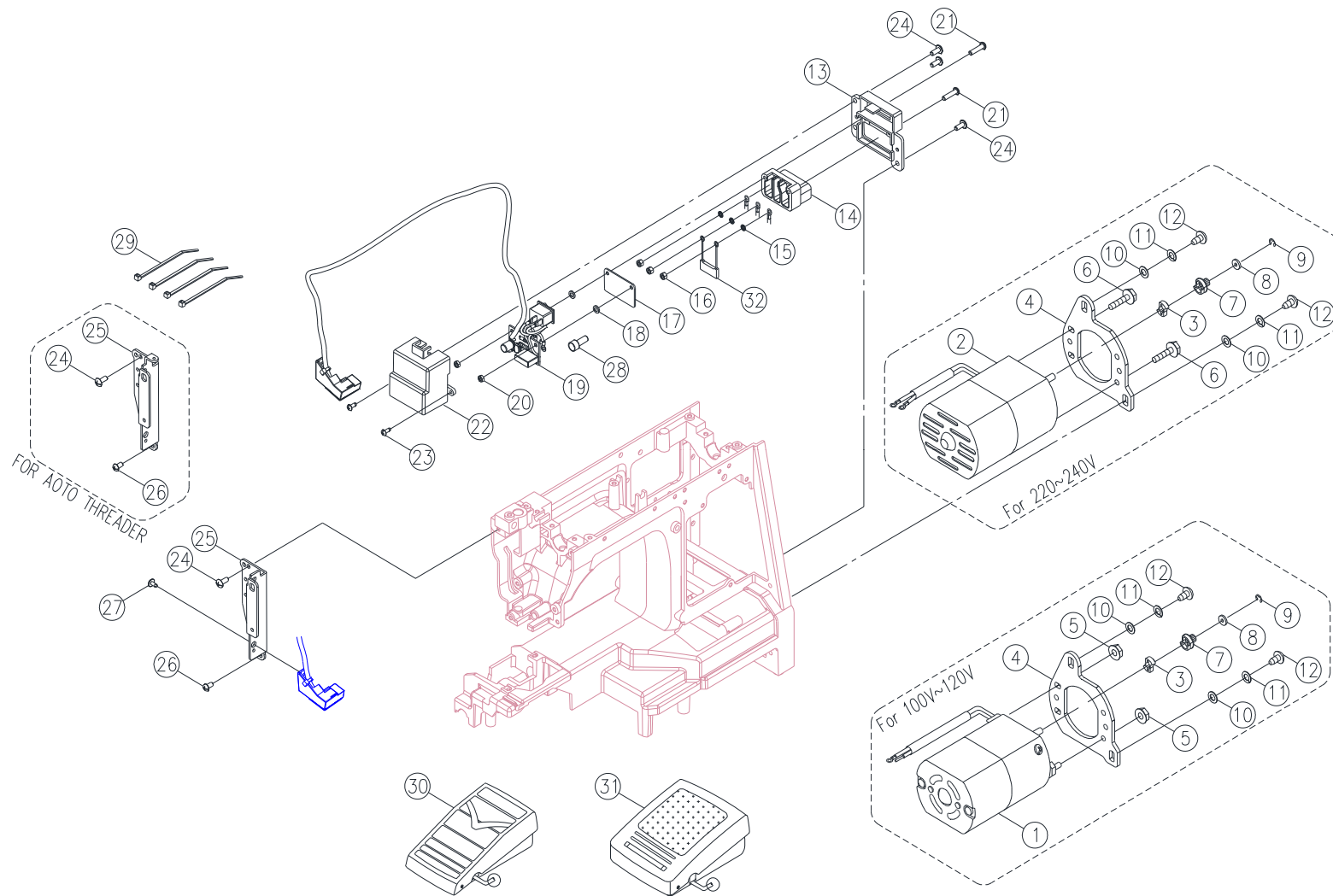
F. LOWER SHAFT, SHUTTLE HOOK



F. LOWER SHAFT, SHUTTLE HOOK

NO.	ITEM NO.	NAME	REMARK
1	M1A0083000	LOWER SHAFT	
2	G4A1573000	LOWER SHAFT GEAR	
3	V11553003	LOWER SHAFT COLLAR	
4	004240503	SET SCREW(M4×4C)	
5	004400410	ENDURE ATTRITION WASHER (φ8.2×φ12×0.25)	
6	E1A0283000	FEED ROCK BUSHING	
7	V6E1123000	FEED LIFTING ROCK CAM	
8	004240223	SET SCREW(M4×6C)	
9	V60363000	CRANK CONNECTING ROD CRANK	
10	004250203	SET SCREW(M5×5C)	
11	V10833003	CRANK CONNECTING ROD CRANK PIN	
12	003010053	E-RING(ETW-5)	
13	V10995000	OPEN SHUTTLE RACE COMPLETE	
14	004400800	ENDURE ATTRITION WASHER(φ7.6×φ12×0.13)	
15	K81125000	SHUTTLE DRIVER COMPLETE	
16	V62043000	SHUTTLE HOOK (4.6MM)	
17	004400210	ENDURE ATTRITION WASHER(φ8.2×φ16×0.5)	
18	H71153003	SHUTTLE DRIVER SHAFT COLLAR	
19	004107293	SET SCREW(11/64×40×4)	
20	G4A1583000	SHUTTLE DRIVER SHAFT GEAR	
21	H71186001	BOBBIN CASE	
22	H13803001	BOBBIN CASE SPRING	
23	H13973002	BOBBIN CASE SPRING SET SCREW	
24	006084009	BOBBIN	
25	004240046	SET SCREW(M4×10B)	
26	004250151	SET SCREW(M5×10B)	
27	V620033001	NEEDLE PLATE	
28	004240851	NEEDLE PLATE COMPLETE SET SCREW	
#1	H71185000	BOBBIN CASE COMPLETE	
#2	G4A1574000	LOWER SHAFT GEAR COMPLETE	

G. MOTOR & LAMP HOLDER



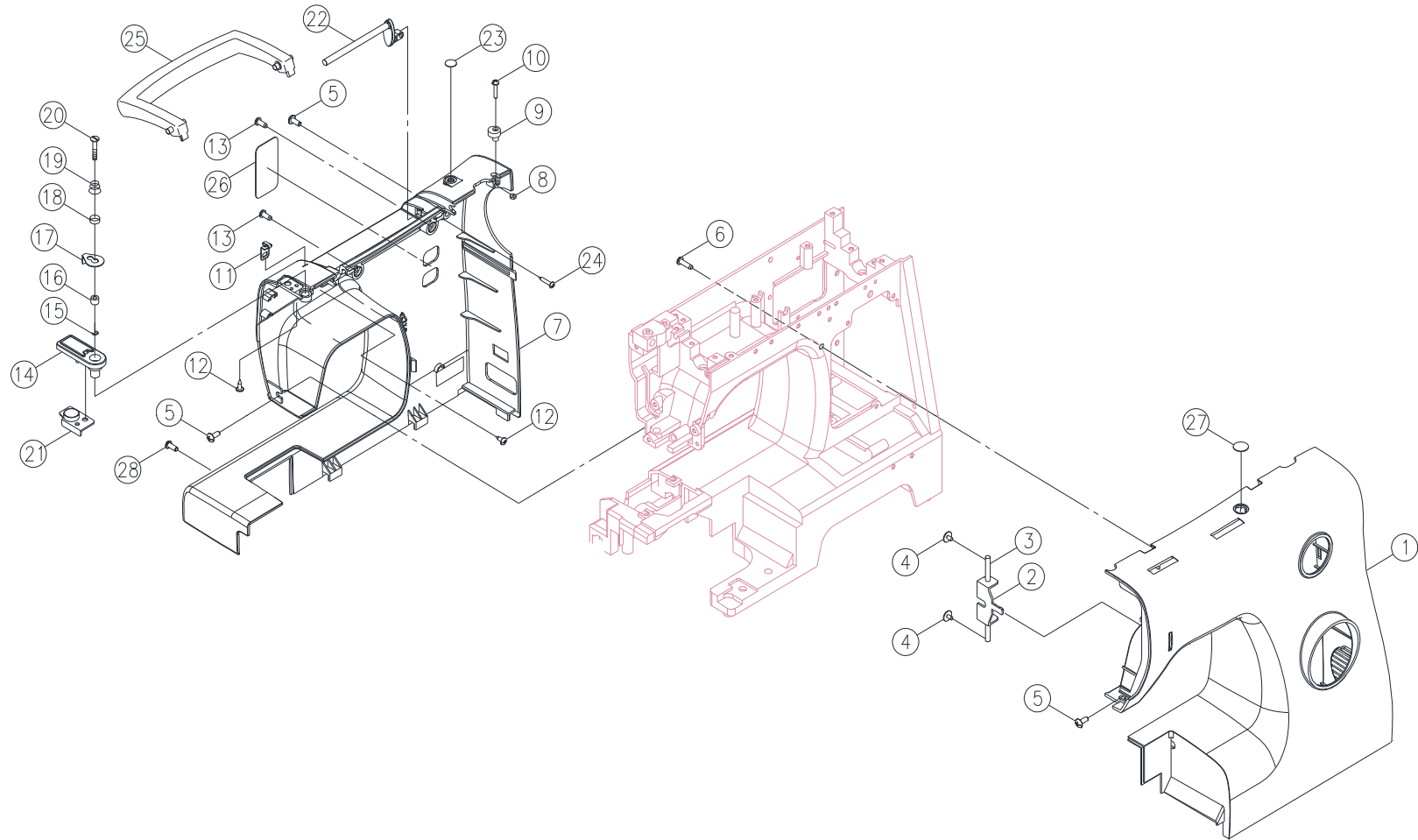
ALL VOLTAGE APPLICATION & SPEC. ,PLEASE CHECK NEXT PAGE.

G. MOTOR & LAMP HOLDER

NO.	ITEM NO.	NAME	REMARK
1	001V884016	MOTOR	FOR 120V / US
2	001V881001	MOTOR	FOR 220V / KOREA
	001164209	MOTOR	FOR 230V / EU.
	001V881023	MOTOR	FOR 230V / INDIA
	001V881061	MOTOR	FOR 230V / DUBAI(SD2.SD3)
	001V881048	MOTOR	FOR 230V / DUBAI(SD4)
	001V887003	MOTOR	FOR 230V / CHINA
	001V881003	MOTOR	FOR 240V / U.K
	001V881005	MOTOR	FOR 240V / SAA
	3	008059302	CUSHION RUBBER
4	002397025	MOTOR BRACKET	
5	004840131	NUT (M4 T=5.5)	FOR 120V
6	004241428	SET SCREW (M4×10.2)	FOR 220V-240V
7	002397025	BELT WHEEL	
8	002145029	MOTOR FEED REGULATOR COLLAR	
9	003010036	E-RING (ETW-3)	
10	004300306	WASHER (φ5.4×φ10×0.9)	
11	004600296	SPRING WASHER (φ5.2×9×1)	
12	004250086	SET SCREW (M5×12)	
13	V6E0243210	RECEPTACLE HOLDER	
14	002624129	RECEPTACLE	
15	003012061	WASHER	
16	004840120	NUT (M3×4)	
17	002621129	CONCERT INSULATION PLATE	
18	0040300013	WASHER	
19	VGJ0575000	LED HOLDER COMPLETE	FOR 120V
	VGJ0565000	LED HOLDER COMPLETE	FOR 220V~240V
20	004830016	NUT (M3 T=2.3)	
21	004230356	SET SCREW (M3×25 B)	
22	K6C0423000	RECEPTACLE HOLDER COVER	
23	004230842	SET SCREW (M3×8)	
24	004240106	SET SCREW (M4×8A)	

NO.	ITEM NO.	NAME	REMARK
25	V6E0563006	LAMP BRACKET	FOR AUTO THREADER
	V6E0373006	LAMP BRACKET	
26	004240056	SET SCREW (M4×6B)	
27	004231016	SET SCREW (M3×5)	
28	AA0463000	END TERMED	
29	002027129	CORD CLIP	
30	002V8E4003	FOOT CONTROLLER	FOR 120V / US
31	002V881030	FOOT CONTROLLER	FOR 220V / KOREA
	002V881021	FOOT CONTROLLER	FOR 230V / EU.
	002V881033	FOOT CONTROLLER	FOR 230V / DUBAI(SD4)
	002V881028	FOOT CONTROLLER	FOR 230V / CHINA
	002K6C1002	FOOT CONTROLLER	FOR 230V / IR
	002V881027	FOOT CONTROLLER	FOR 240V / U.K
	002V881024	FOOT CONTROLLER	FOR 240V / SAA
32	008V4B0001	CONDENSER	FOR 220V-240V

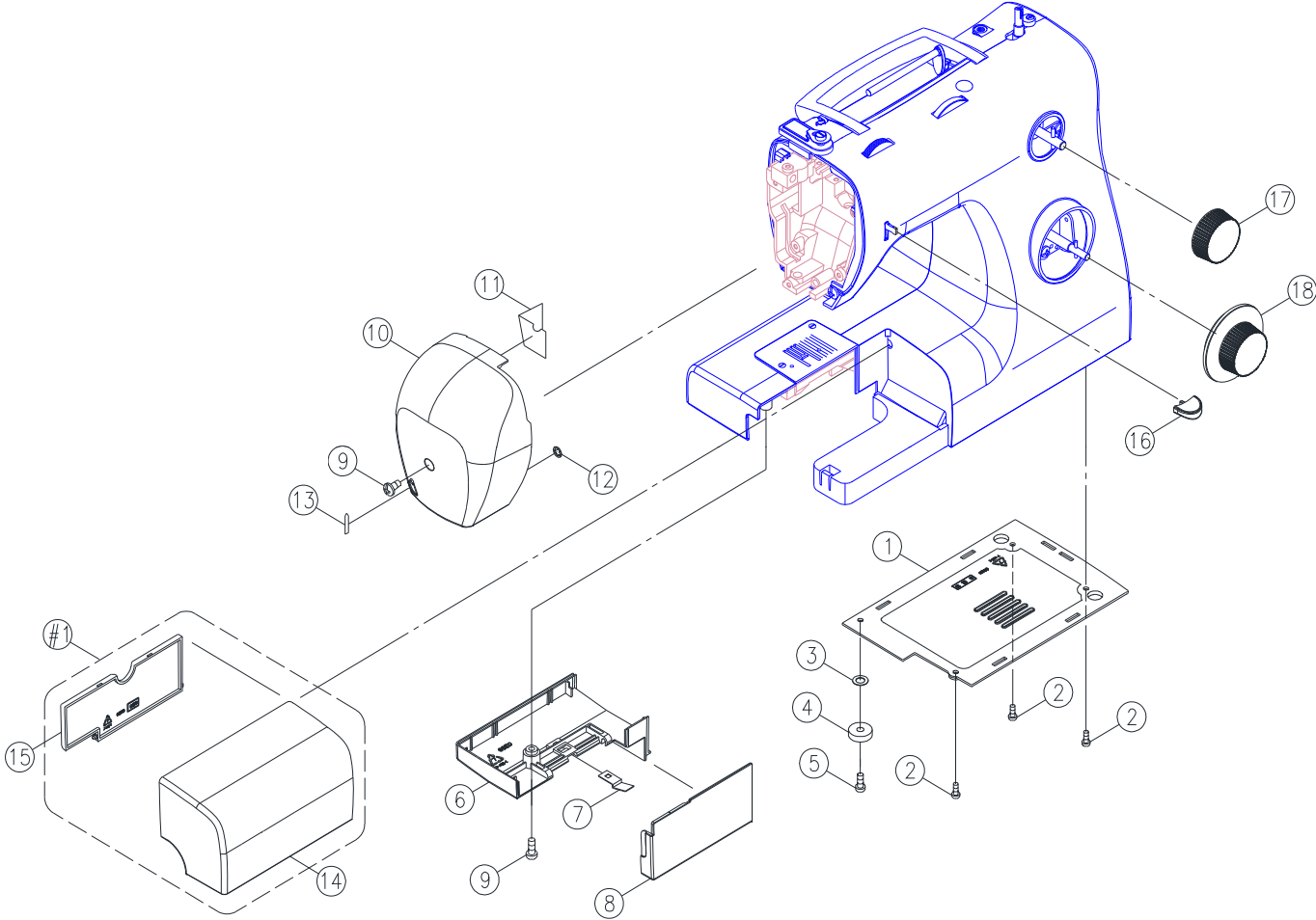
H. FRONT COVER, BACK COVER



H. FRONT COVER, BACK COVER

NO.	ITEM NO.	NAME	REMARK
1	V8EC033210	FRONT COVER	FOR 2250.2259
	V5EC013210	FRONT COVER	FOR 2263
2	V6E0253006	REVERSE DIAL SUPPORT PLATE	
3	K6B0343001	REVERSE DIAL SUPPORT SHAFT	
4	0042300016	SET SCREW (M3×5B)	
5	004240106	SET SCREW (M4×8A)	
6	004240186	SET SCREW (M4×15B)	
7	V8EB013210	BACK COVER	
	V8EB033210	BACK COVER	FOR SA9.SD2.SD3
8	004706013	NUT (9/64×40 T=3)	
9	E1A2393000	BOBBIN WINDER STOPPER	
10	004106371	SET SCREW (9/64×4×18 B)	
11	P3A1663001	THREAD GUIDE	
12	004230216	SET SCREW(M3×8.5)	
13	004240306	SET SCREW (M4×10 B)	
14	P3A1483210	BOBBIN WINDER THREAD GUIDE DISC	
15	003010036	E-RING (ETW-3)	
16	P3A1523006	SPACER	
17	P3A1513001	BOBBIN WINDER THREAD GUIDE	
18	P3A1463001	BOBBIN WINDER SPRING DISC	
19	P3A1533001	BOBBIN WINDER THREAD GUIDE SPRING	
20	P3A1503001	BOBBIN WINDER THREAD GUIDE ADJUSTING	
21	V6E0395000	THREAD GUIDE COMPLETE	
22	V6E0323210	SPOOL PIN BASE	
23	V410123210	PLATE STICKER	
24	004230646	SET SCREW (M3×16.7 B)	
25	V6E0283210	HANDLE	
26	V61523210	PLATE (2)	
27	V61503210	PLATE (1)	
28	004240046	SET SCREW (M4×10B)	

I. BOTTOM PLATE, BED COVER, FACE PLATE, SEWING TABLE

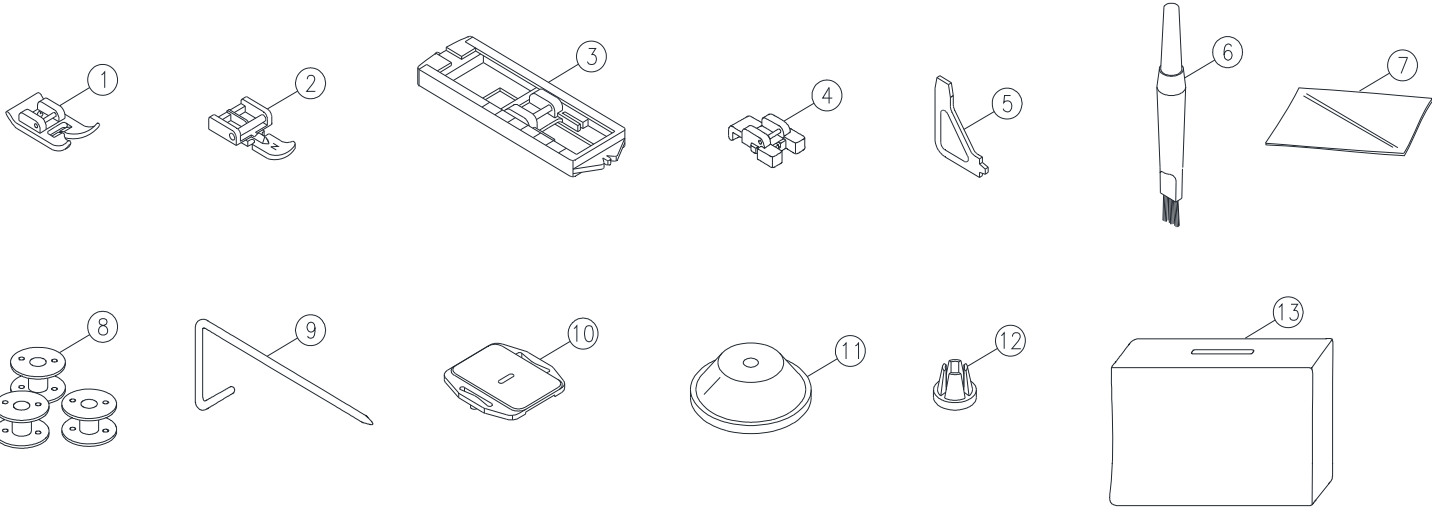


I. BOTTOM PLATE, BED COVER, FACE PLATE, SEWING TABLE

NO.	ITEM NO.	NAME	REMARK
1	V6E1133210	BOTTOM PLATE	
2	004240106	SET SCREW (M4×8 A)	
3	004300586	WASHER (φ5.2×φ16×1.0)	
4	J31413002	FREE ARM BASE CUSHION RUBBER	
5	004240146	SET SCREW (M4×15B)	
6	V6E0153210	BED COVER	
7	R12453002	HOOK COVER SPRING	
8	V6E0173210	HOOK COVER	
9	004241046	SET SCREW (M4×10A)	
10	V8EF013210	FACE PLATE	FOR 2250
	V4EF003210	FACE PLATE	FOR 2259
	V5EF003210	FACE PLATE	FOR 2263
11			FOR LAMP
12	003020053	CS-RING (CSTW-5)	
13	V630593000	THREAD CUTTER	
14	V6E0203210	SEWING TABLE BODY	
15	V6E0213210	SEWING TABLE BODY COVER	
16	V6E0133210	REVERSE BUTTON	
17	V8ER003210	STITCH LENGTH DIAL	FOR 2250
	V5ER003210	STITCH LENGTH DIAL	FOR 2259.2263
18	V8ED013210	SELECTOR DIAL	FOR 2250
	V4ED003210	SELECTOR DIAL	FOR 2259
	V5ED003210	SELECTOR DIAL	FOR 2263
#1	V6E0204210	SEWING TABLE BODY COMPLETE	

J. ACCESSORIES

STANDARD ACCESSORIES



J. ACCESSORIES

STANDARD ACCESSORIES			
NO.	ITEM NO.	NAME	REMARK
1	006806008	ALL PURPOSE FOOT	
2	006905008	ZIPPER FOOT (I)	
3	006909008	BUTTONHOLE FOOT (B)	
4	006914008	BUTTON SEWING FOOT	
5	006093009	SCREWDRIVER (L)	
6	006099008	BRUSH & SEAM RIPPER COMPLETE	
7	006V880010	NEEDLE	
8	006084009	BOBBIN	
9	006008001	SEAM GUIDE	
10	006117009	EMBROIDERY PLATE	
11	R12373210	SPOOL HOLDER (LARGE)	
12	TA10943209	SPOOL HOLDER (SMALL)	
13	020V8E0001	SOFT COVER COMPLETE	

NOTE: WHEN YOU ORDER ANY SPARE PARTS FROM US,
PLEASE COOPERATE WITH US BY WRITING.

- (1) SECTION & SEQUENCE NO.
- (2) NAME OF PARTS
- (3) VOLTAGE, IF NECESSARY
- (4) OTHERS, IF ANY