



SINGER®

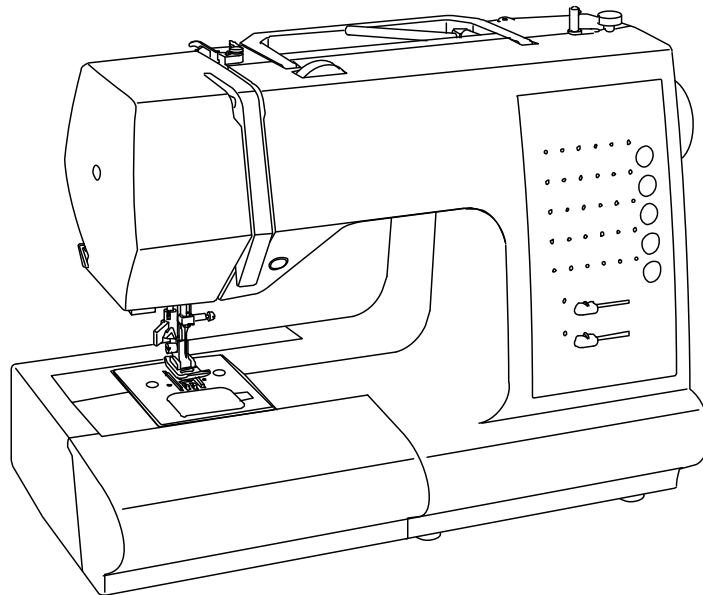
Confidence™

Symphonie™ III

Experience160™

7463

7563

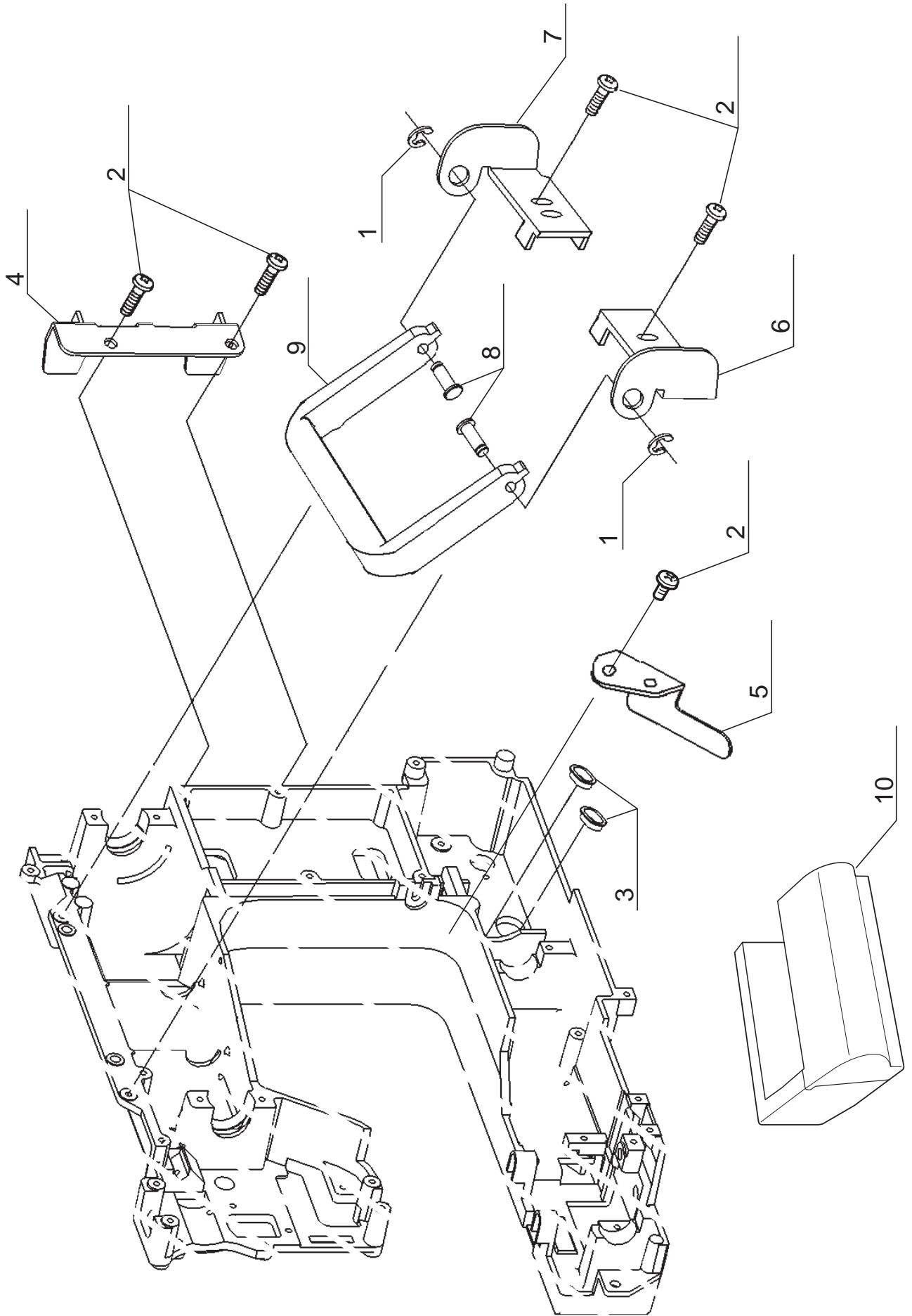


Liste de pièces
Lista de Piezas
Parts List

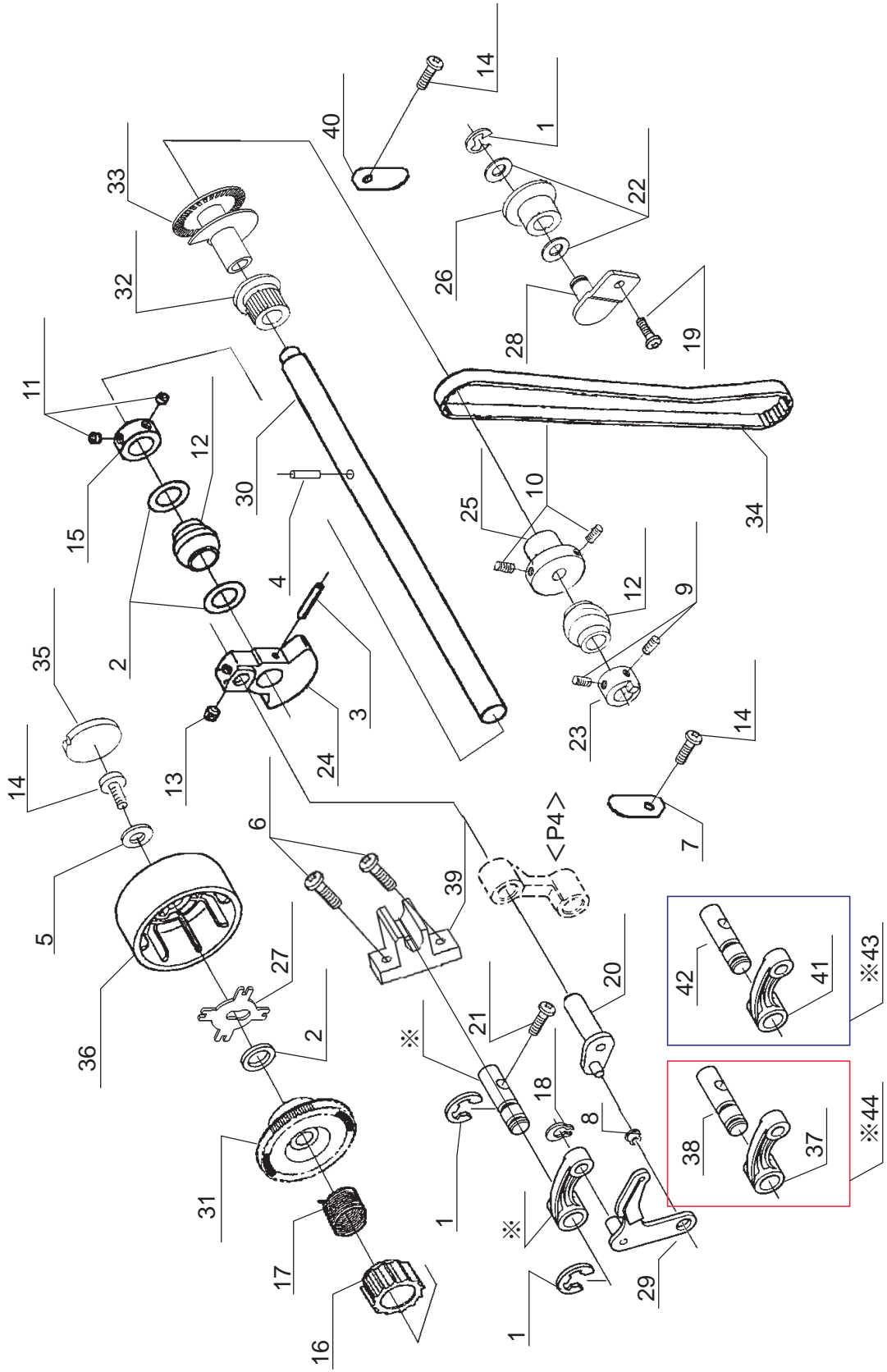
® A registered trademark of The Singer Company Ltd. or its affiliates.
® *Una marca registrada de The Singer Company Ltd. o sus afiliados.*
® *Une marca déposée de The Singer Company Ltd. ou ses filiales.*

104 22 97-96
06 FEB 2012

A

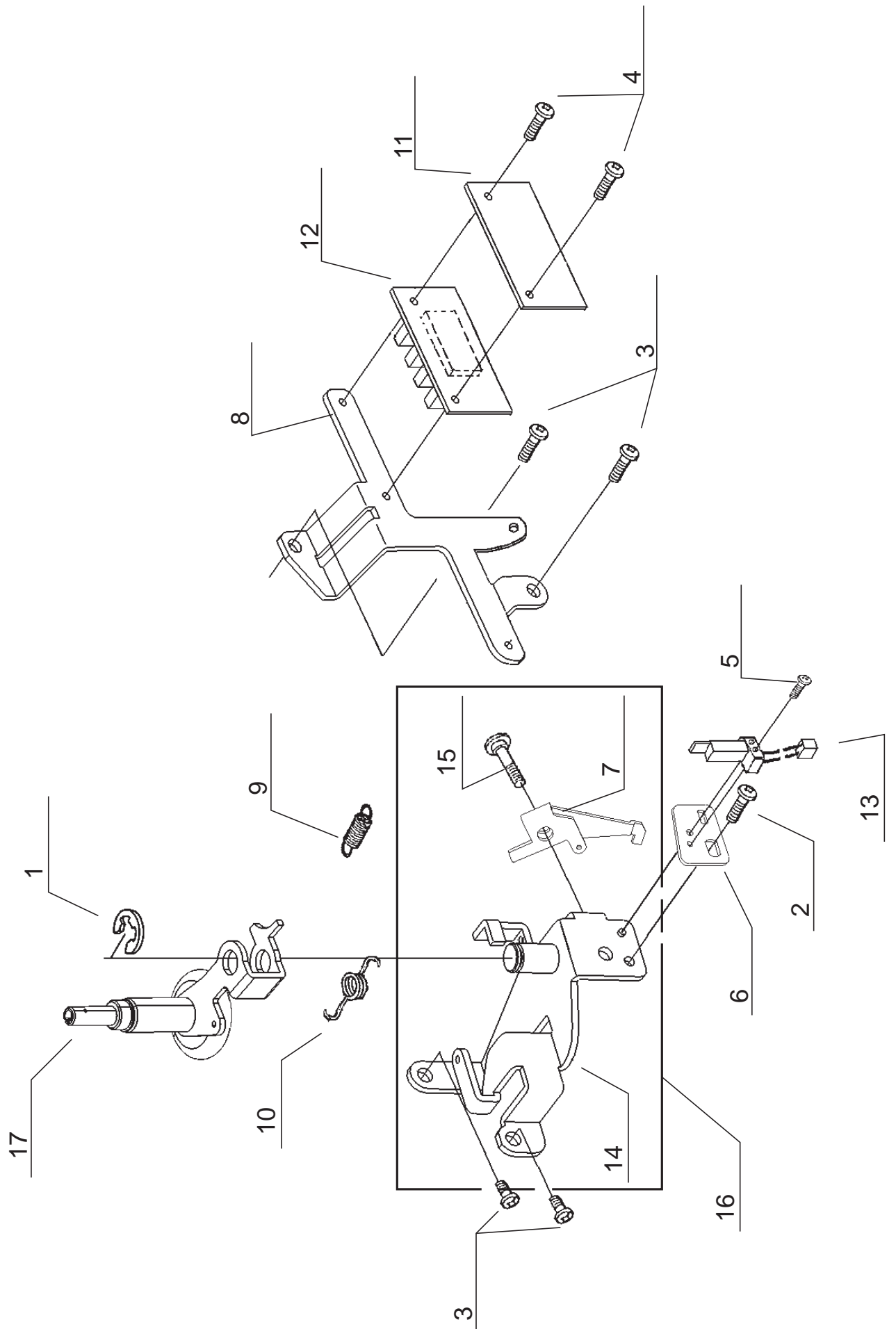


Pos	Part No.	Description
1	270 001513	E4 CLIP-ON-WASHER
2	270 077042	M4 PHILIPS SCREW
3	270 080070	CORD GUIDE
4	270 087133	BRACKET
5	270 087156	BRACKET
6	270 087193	HANDLE BRACKET (L)
7	270 087194	HANDLE BRACKET (R)
8	270 087216	PIN
9	270 087305	HANDLE
10	270 087446	ACC. BOX



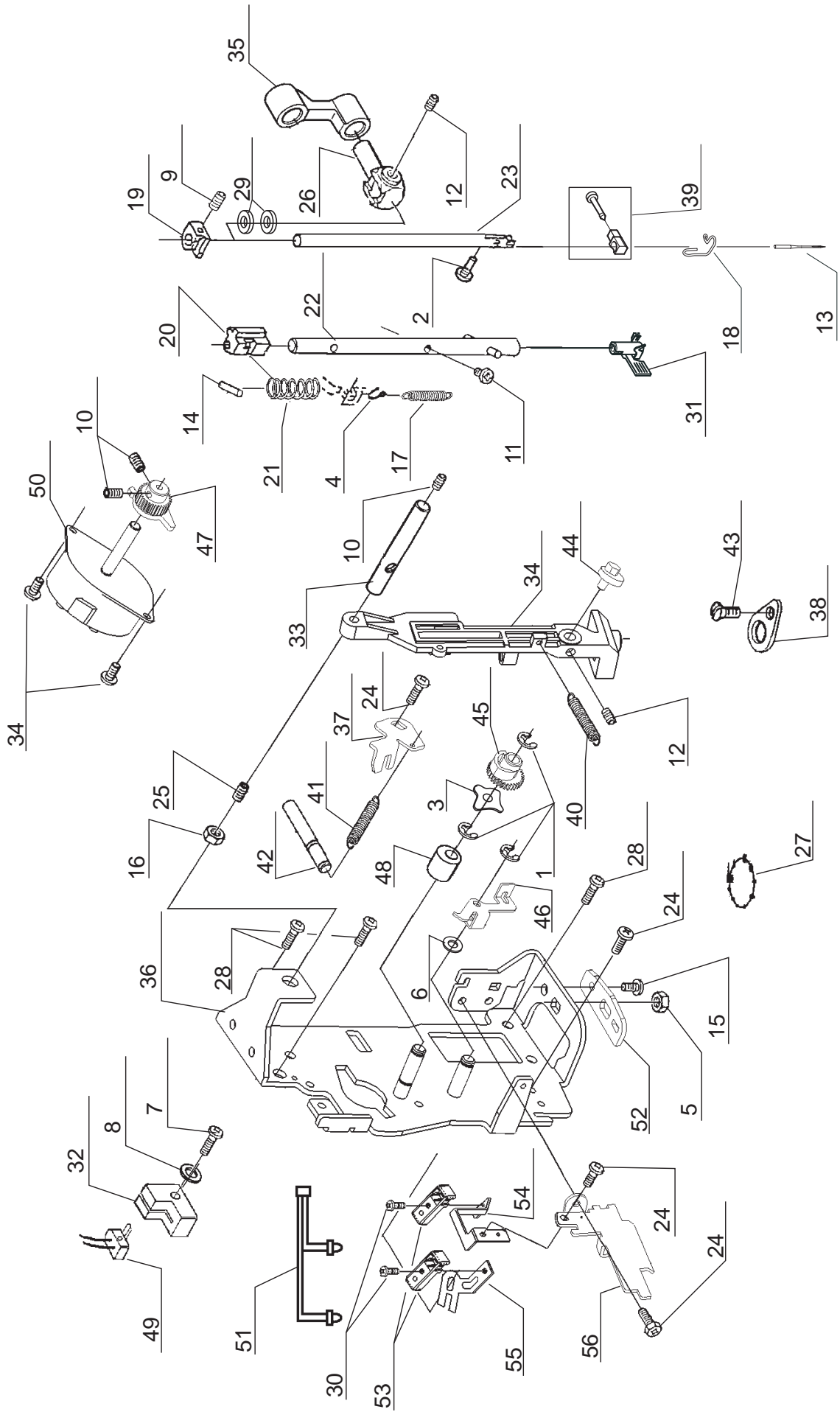
Pos	Part No.	Description
1	270 010963	E6 CLIP-ON-WASHER
2	270 043389	THRUST WASHER
3	270 043930	SPRING PIN
4	270 044066	SPRING PIN
5	270 053403	WASHER
6	270 061224	M4 PHILIPS SCREW
7	270 066235	SECURING PLATE
8	270 066437	BUSH
9	270 066725	M4 SCREW
10	270 066727	M4 SCREW
11	270 067447	M5 SCREW
12	270 068152	BALL BUSH
13	270 073371	M6 SCREW
14	270 073434	M4 PHILIPS SCREW
15	270 073472	COLLAR
16	270 075047	CLUTCH
17	270 075194	TORSION SPRING
18	270 075207	CS-CLIP
19	270 075274	M4 PHILIPS SCREW
20	270 076366	CRANK SHAFT
21	270 077035	M4 PHILIPS SCREW
22	270 077056	WASHER
23	270 085013	POSITIONING COLLAR
24	270 085017	BALANCER
25	270 085046	COLLAR
26	270 085138	TENSION ROLLER
27	270 085217	RETAINER
28	270 087125	IDLER PULLEY BRACKET
29	270 087134	TAKE-UP LEVER
30	270 087200	MAIN SHAFT
31	270 087220	BELT PULLEY
32	270 087221	UPPER TIMING BELT GEAR
33	270 087241	ENCODER
34	270 087264	TIMING BELT
35	270 087288	PULLEY CAP
36	270 087299	PULLEY
37	416460401	TAKE-UP LEVER CRANK = USE 416556701
38	416513401	SHAFT = USE 416556701
39	270 088311	TAKE-UP LEVER SHAFT BLOCK
40	416555601	SECURING PLATE
41	416556701	TAKE-UP LEVER CRANK =USE 416556701
42	416556701	SHAFT =USE 416556701
43	416556701	TAKE-UP/SHAFT SET =USE 416556701
44	416556701	TAKE-UP/SHAFT SET

C

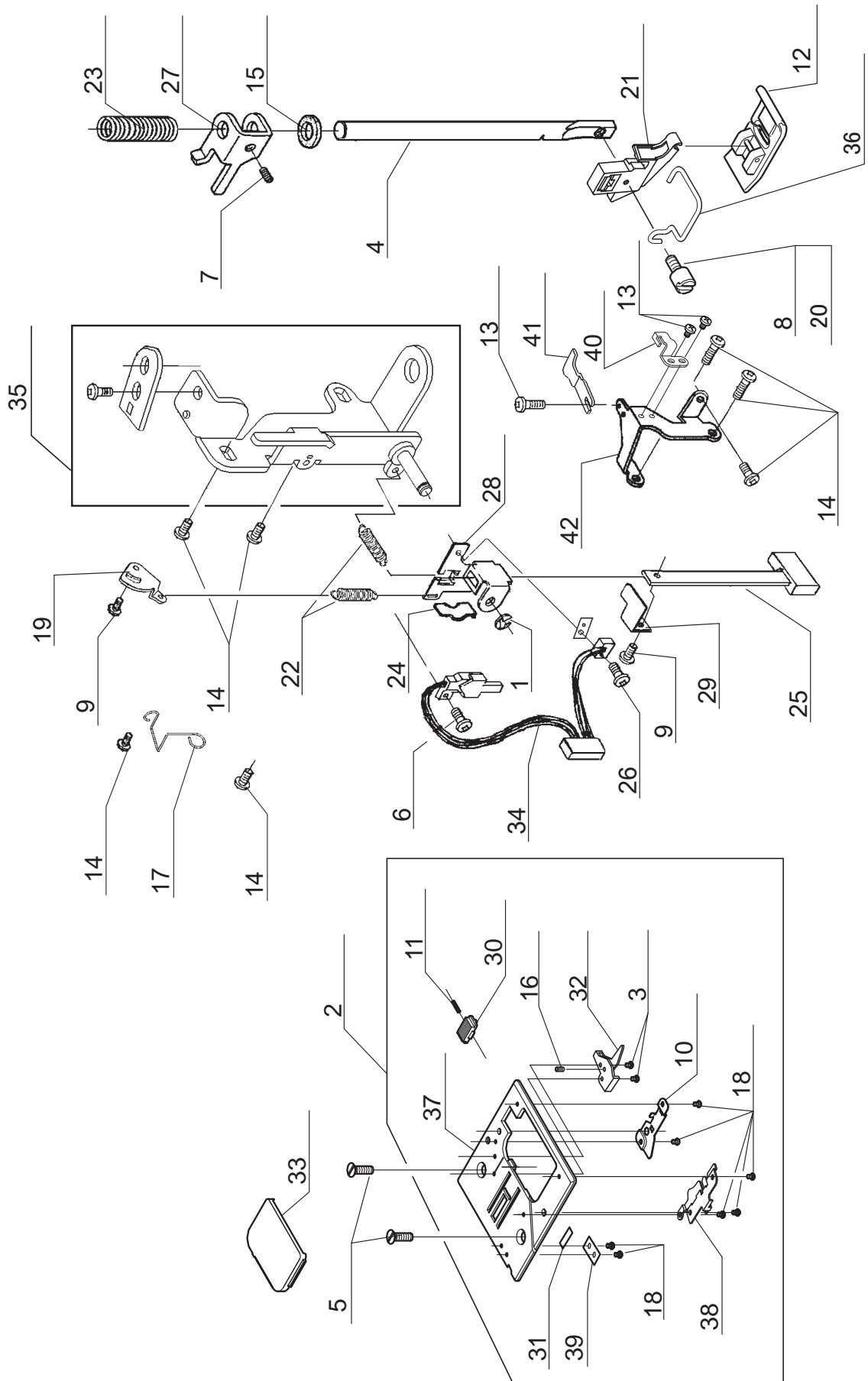


Pos	Part No.	Description
1	270 010963	E6 CLIP-ON-WASHER
2	270 073900	M3 PHILIPS SCREW
3	270 077042	M4 PHILIPS SCREW
4	270 077053	M3 PHILIPS SCREW
5	270 085274	M2 SCREW
6	270 087128	MOUNTING BRACKET
7	270 087129	RETAINER
8	270 087139	MOUNTING BRACKET
9	270 087180	EXTENSION SPRING
10	270 087182	TORSION SPRING
11	270 087242	INSULATION SHEET
12	270 087527	PHOTO SENSOR CIRCUIT BOARD
13	270 087584	SWITCH HARNESS
14	270 087739	BOBBIN WINDER BRACKET
15	416503301	M3 SHOULDER SCREW
16	270 087750	BOBBIN WINDER BRACKET UNIT
17	270 087815	BOBBIN WINDER UNIT

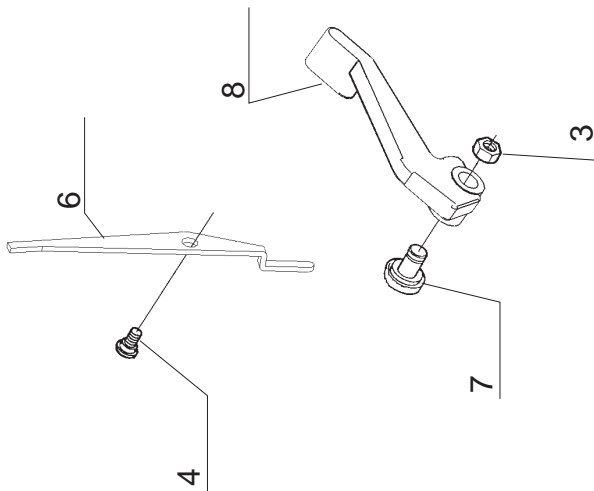
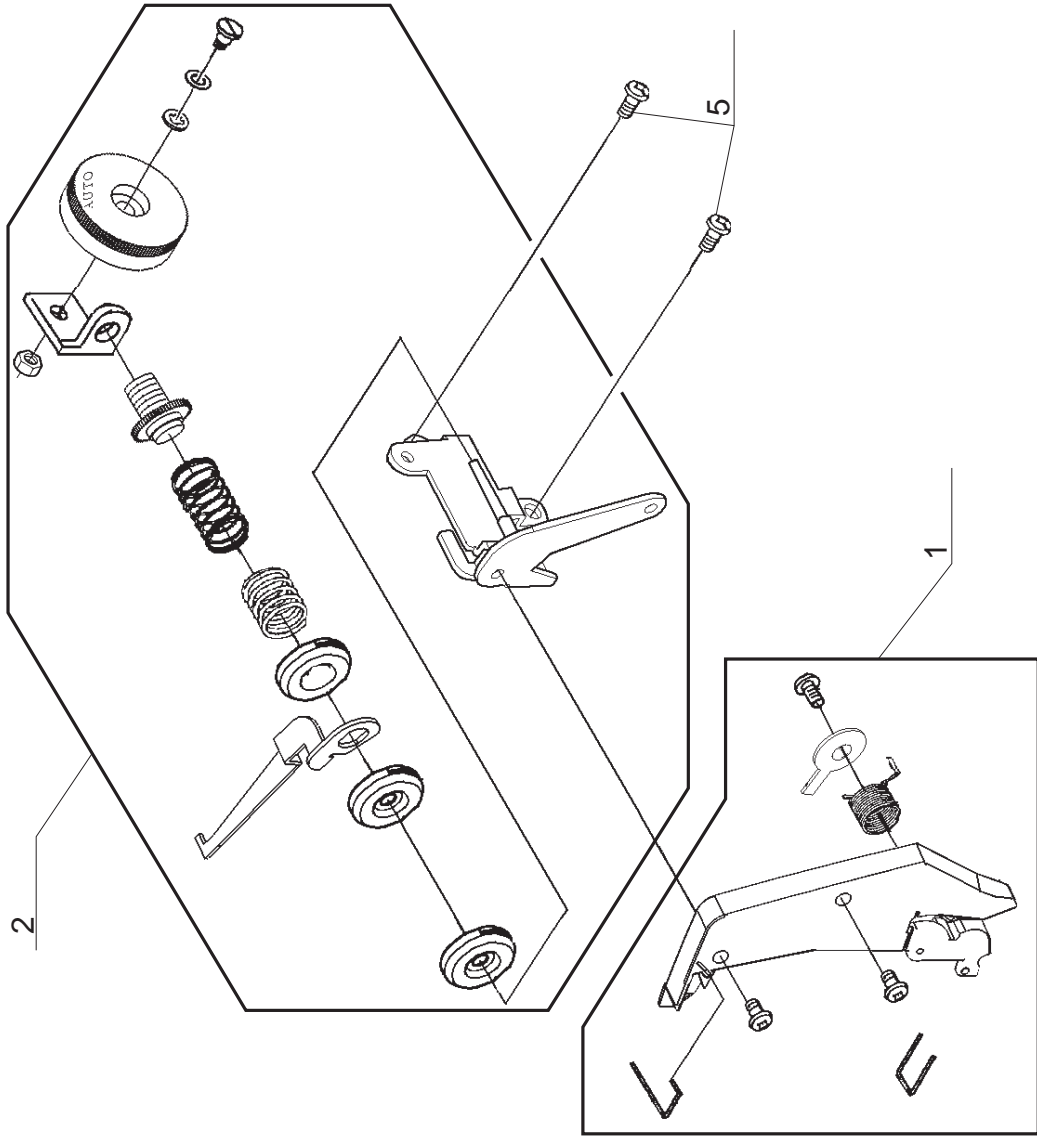
D



Pos	Part No.	Description
1	270 001513	E4 CLIP-ON-WASHER
2	270 026934	#8 SCREW
3	270 028735	CRINKLE WASHER
4	270 028917	HOOK FOR SPRING
5	270 031733	M3 NUT
6	270 053321	THRUST WASHER
7	270 063796	M3 SCREW
8	270 063805	WASHER
9	270 064359	M4 SCREW
10	270 064653	M3 SCREW
11	270 066005	M2 PHILLIPS SCREW
12	270 066725	M4 SCREW
13		NEEDLE
14	270 068343	PIN
15	270 072367	M4 CP SCREW
16	270 073299	M4 TORQUE NUT
17	270 074050	EXTENSION SPRING
18	270 075022	THREAD GUIDE
19	270 075024	STOPPER
20	270 075025	GUIDE BLOCK
21	270 075027	COMPRESSION SPRING
22	270 076163	THREADER SHAFT SET
23	270 076183	NEEDLE BAR
24	270 076317	M3 PHILLIPS SCREW
25	270 076324	M4 SCREW
26	270 077037	NEEDLE BAR CLAMP
27	270 077041	UNITY FASTENER
28	270 077042	M4 PHILIPS SCREW
29	270 077043	FELT
30	270 077057	M3 PHILIPS SCREW
31	270 077421	THREADER ASSEMBLY
32	270 077527	SENSOR COVER
33	270 080095	STRAIGHT PIN
34	270 087101	NEEDLE BAR SUPPORT
35	416555901	NEEDLE BAR CRANK
36	270 087108	NEEDLE BAR SUPPORT BRACKET
37	270 087109	SECURING PLATE
38	270 087111	NEEDLE BAR SWING BRACKET
39	270 087154	NEEDLE CLAMP SET
40	270 087183	SPRING
41	270 087188	SPRING
42	270 087207	STRAIGHT PIN
43	270 087211	M3 SCREW
44	270 087225	ECCENTRIC CAM
45	270 087235	ZIGZAG CAM WITH GEAR
46	270 087245	BELL CLANK FOR ZIGZAG
47	270 087246	PINION GEAR
48	270 087265	SPACER
49	270 087517	SWITCH HARNESS FOR ZIGZAG
50	270 087600	STEPPING MOTOR
51	270 087626	LED LIGHT
52	270 087726	NEEDLE BAR ADJUSTING PLATE
53	270 088314	LED LIGHT COVER
54	270 088315	LED LIGHT COVER BRACKET
55	270 088316	LED LIGHT COVER BRACKET
56	270 088317	THREAD GUIDE PLATE

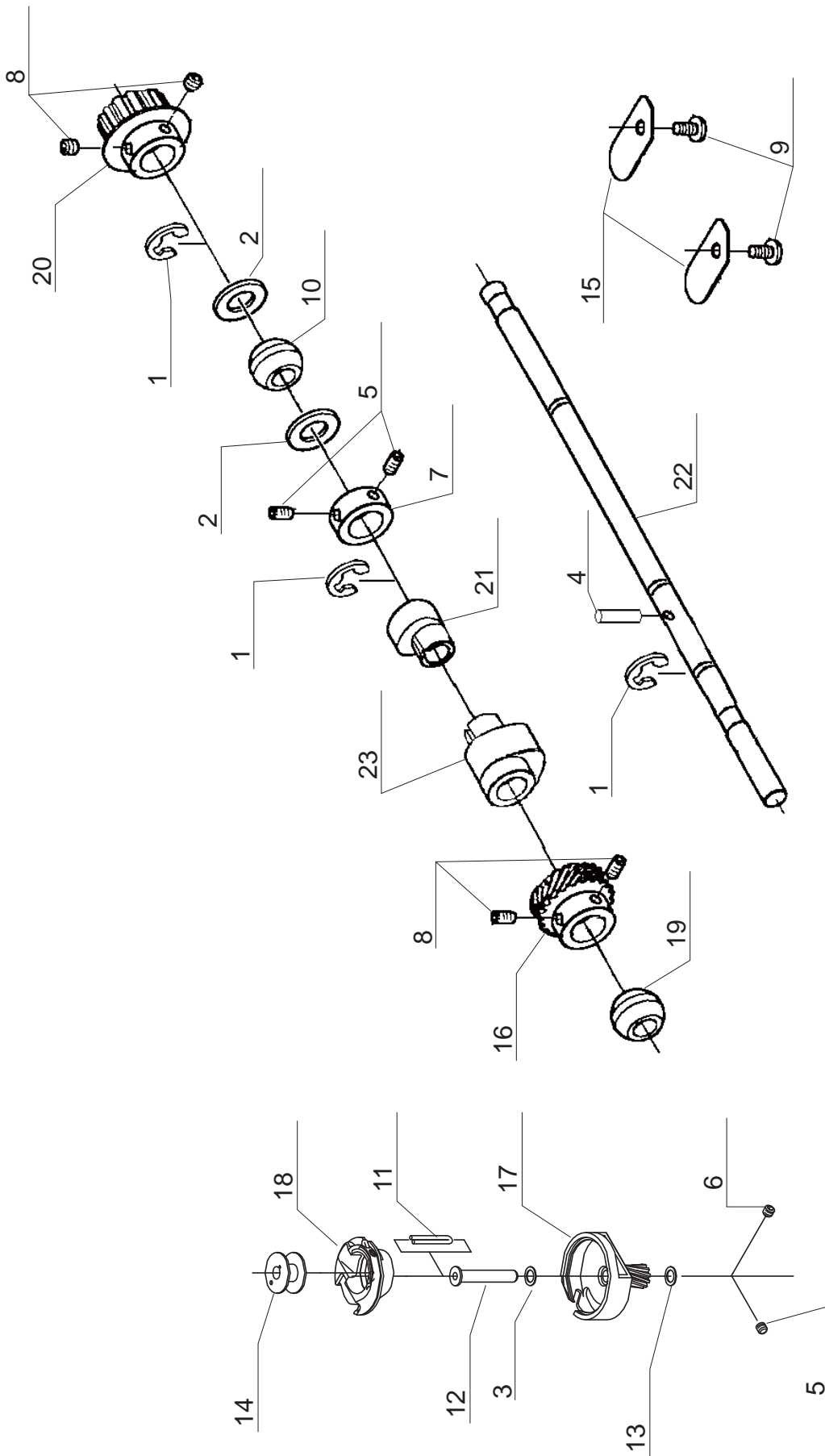


Pos	Part No.	Description
1	270 001520	E3 CLIP-ON-WASHER
2	270 051099	NEEDLE PLATE SET
3	270 056858	M2 PHILIPS SCREW
4	270 063278	PRESSER BAR
5	270 064051	M4 SCREW
6	270 066005	M2 PHILIPS SCREW
7	270 066727	M4 SCREW
8	270 068299	#7 SCREW FOR SHANK
9	270 073900	M3 PHILIPS SCREW
10	270 076114	COVER GUIDE (R)
11	270 076159	COMPRESSION LEVER
12	270 076251	ZIGZAG PRESSER FOOT
13	270 076317	M3 PHILIPS SCREW
14	270 077042	M4 PHILIPS SCREW
15	270 077043	FELT
16	270 079491	SCREW
17	270 080079	CORD GUIDE
18	270 080096	M2 PHILIPS SCREW
19	270 080102	CONTROL PLATE
20	416514401	SCREW FOR SHANK (ITALY ONLY)
21	270 085016	PRESSER FOOT HOLDER
22	270 085064	EXTENSION SPRING
23	270 085065	COMPRESSION SPRING
24	270 085181	LEAF SPRING
25	270 085198	BH PLATE (A)
26	270 085262	M2 SCREW
27	270 087114	PRESSURE BAR GUIDE
28	270 087117	BH PLATE (B)
29	270 087118	BH PLATE (C)
30	270 087234	RELEASE LEVER
31	270 087344	BLADE
32	416555701	THREAD CONTROL PLATE
33	270 087456	NEEDLE COVER PLATE
34	270 087507	BH SWITCH HARNESS
35	416555801	PRESSURE BAR BRACKET SET
36	416539601	FINGER GUARD (ITALY ONLY)
37	270 088320	NEEDLE PLATE
38	270 088321	COVER GUIDE (L)
39	270 088322	BLADE PALTE
40	270 088323	BRACKET
41	270 088324	BOBBIN CASE STOPPER
42	270 088324	BRACKET



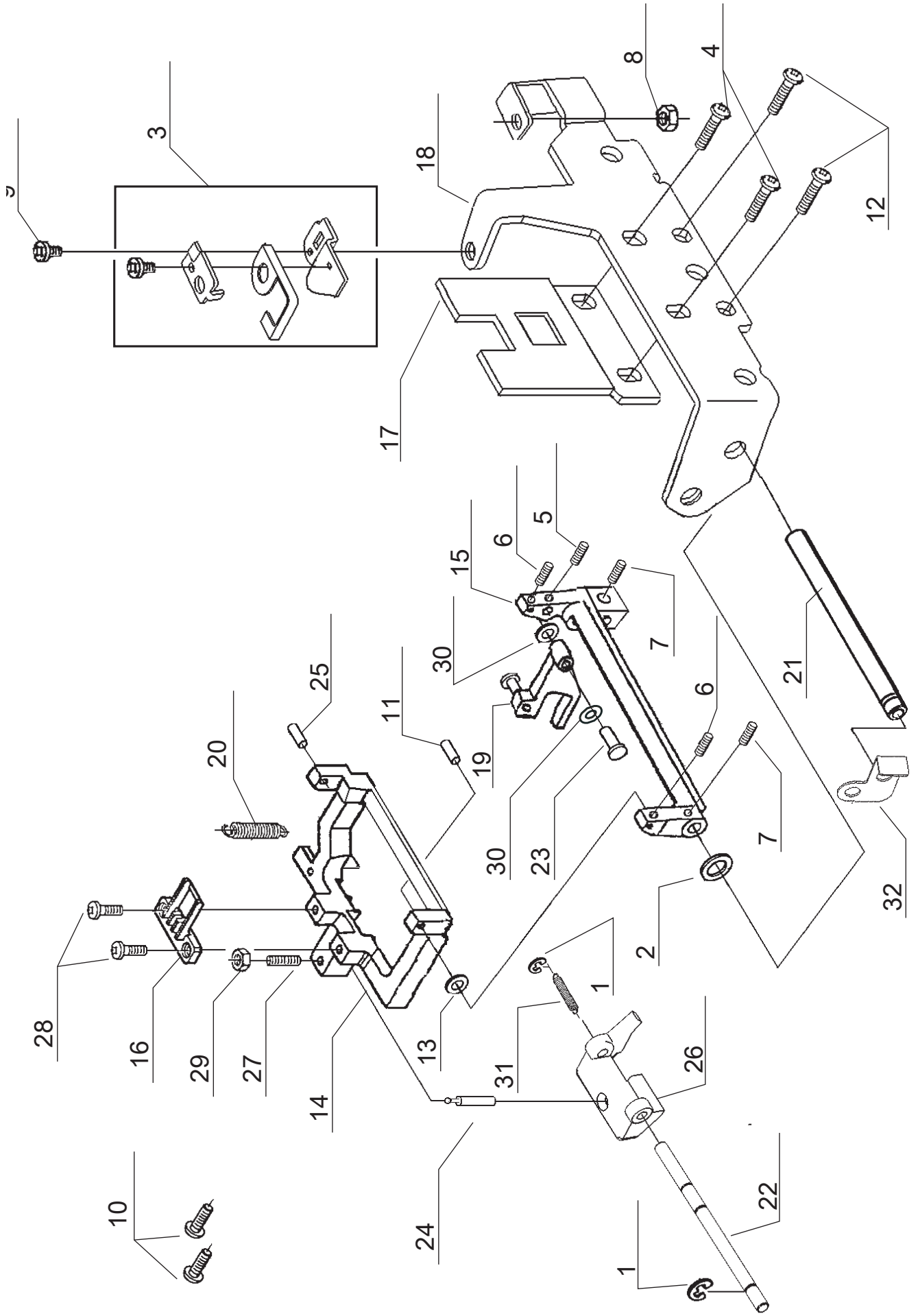
Pos	Part No.	Description
1	270 051051	TENSION ASSY
2	270 051100	THREAD GUIDE PLATE ASSY
3	270 062215	M4 NUT
4	270 072266	M4 STUD SCREW
5	270 077042	M4 PHILLIPS SCREW
6	270 087112	TENSION RELEASE LEVER
7	270 087212	M4 SCREW
8	270 087297	PRESSURE BAR LIFTER

G

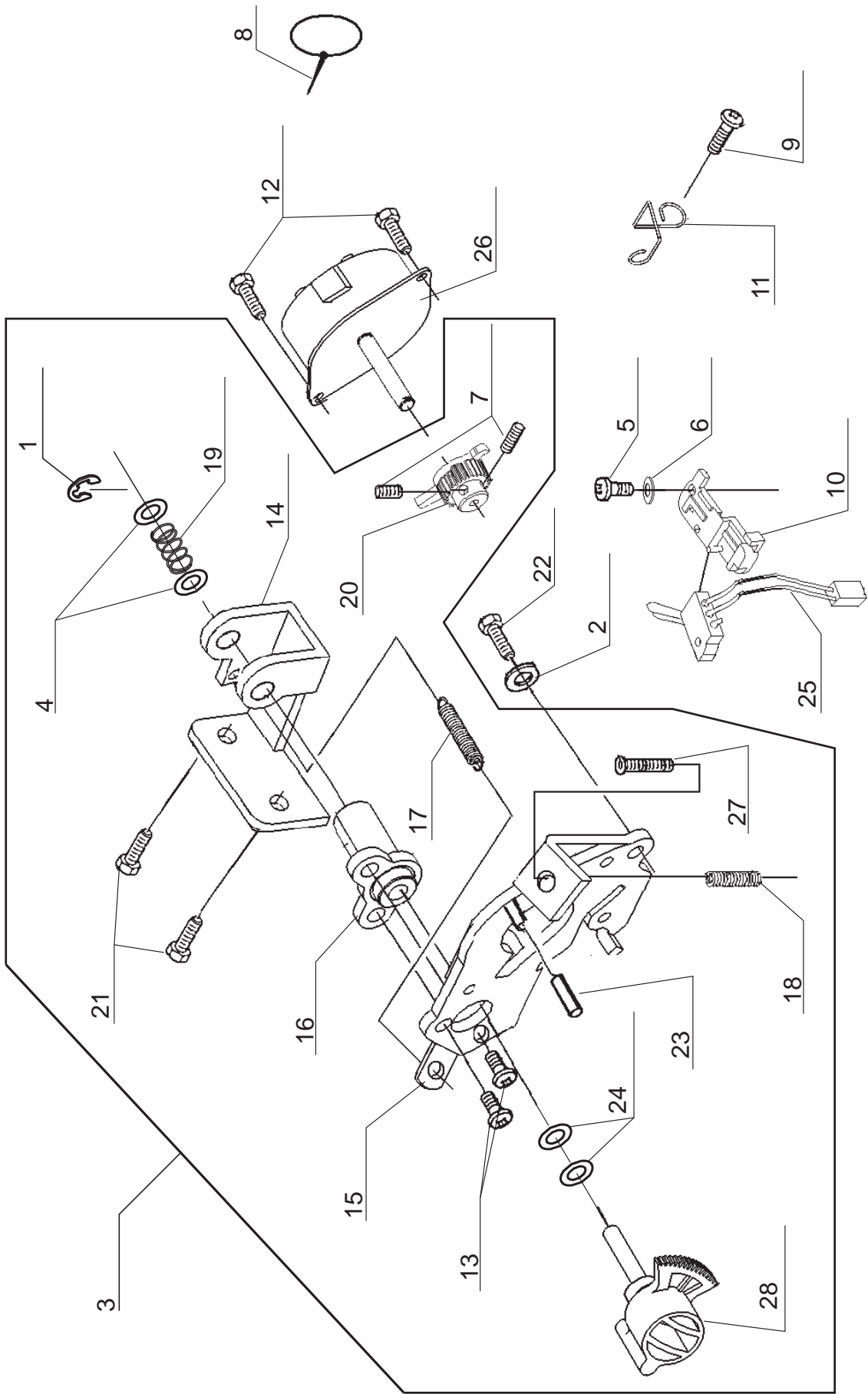


Pos	Part No.	Description
1	270 010963	E6 CLIP-ON-WASHER
2	270 043390	THRUST WASHER
3	270 043392	THRUST WASHER
4	270 064179	SPRING PIN
5	270 066725	M4 SCREW
6	270 066727	M4 SCREW
7	270 067444	COLLAR
8	270 067447	M5 SCREW
9	270 073434	M4 PHILIPS SCREW
10	270 076141	BALL METAL
11	270 076203	OILING CORD
12	270 080078	SHUTTLE RACE SHAFT
13	416514601	WASHER
14	270 085128	BOBBIN
15	270 085247	SECURING PLATE
16	416434001	BEVEL GEAR
17	270 087051	SHUTTLE RACE
18	270 087061	BOBBIN CASE
19	270 087170	BALL METAL
20	270 087171	TIMING BELT GEAR (LOWER)
21	270 087228	FEED CAM
22	270 088114	LOWER STRAIGHT SHAFT
23	270 088115	LIFTING CAM

I

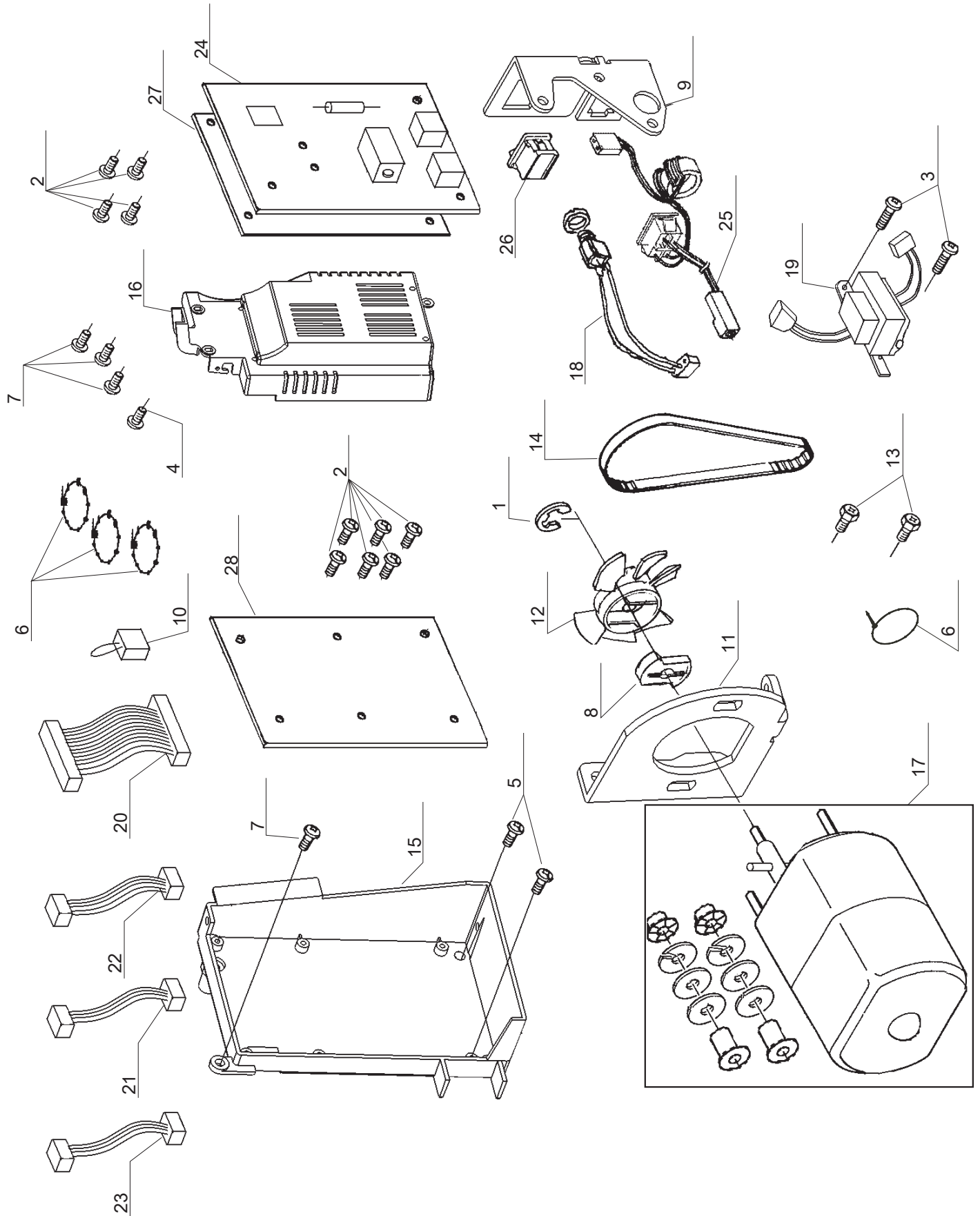


Pos	Part No.	Description
1	270 001520	E3 CLIP-ON-WASHER
2	270 032949	WASHER
3	270 051058	RETAINER SET
4	270 061221	M4 PHILLIPS SCREW
5	270 061333	M4 SCREW
6	270 064653	M3 SCREW
7	270 066725	M4 SCREW
8	270 073299	M4 TORQUE NUT
9	270 073900	M3 PHILLIPS SCREW
10	270 075274	M4 PHILLIPS SCREW
11	270 076132	SHAFT
12	270 077042	M4 PHILLIPS SCREW
13	270 085252	WASHER
14	270 087103	FEED DOG BASE
15	270 087104	FEED DOG BASE SUPPORT
16	270 087105	FEED DOG
17	270 087122	SUPPORT PLATE
18	270 087145	SECURING BRACKET
19	270 087174	FORKED CRANK
20	270 087186	TORSION SPRING
21	270 087202	SHAFT
22	270 087203	SHAFT
23	270 087206	PIN
24	270 087208	BALL HEADED □ PIN
25	270 087210	PIN
26	270 087226	VERTICAL FEED BLOCK
27	270 087232	M6 STUD SCREW
28	270 087262	M3 CP SCREW
29	270 087268	M6 NUT
30	270 087269	WASHER
31	270 087433	TORSION SPRING
32	416506801	SECURING PLATE



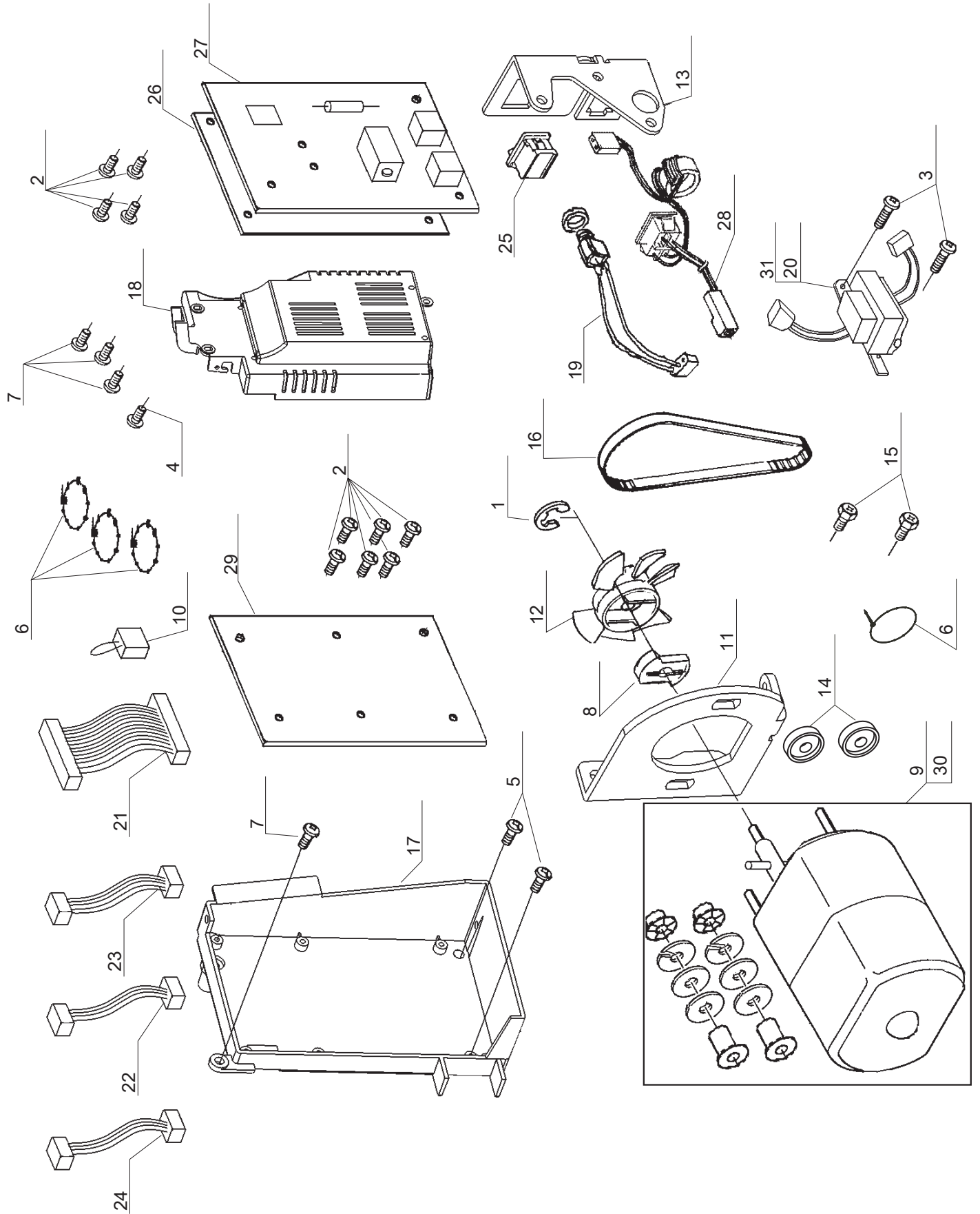
Pos	Part No.	Description
1	270 001513	E4 CLIP-ON-WASHER
2	270 031246	WASHER
3	270 051049	FEED REGULATOR UNIT
4	270 059221	WASHER
5	270 063796	M3 SCREW
6	270 063805	WASHER
7	270 064653	M3 SCREW
8	270 077041	UNITY FASTENER
9	270 077042	M4 PHILIPS SCREW
10	270 077527	SENSOR COVER
11	270 080079	CORD GUIDE
12	270 080110	M3 PHILLIPS SCREW
13	416442801	M3 PHILLIPS SCREW
14	270 087146	BRACKET
15	270 087148	STEPPING MOTOR BRACKET
16	270 087178	FEED REGULATOR SHAFT METAL BUSH
17	270 087188	EXTENSION SPRING
18	270 087189	COMPRESSION SPRING
19	270 087191	COMPRESSION SPRING
20	270 087253	PINION GEAR
21	270 087261	CP BOLT
22	270 087262	M3 CP SCREW
23	270 087273	PIN
24	270 087274	WASHER
25	270 087516	SWITCH HARNESS
26	270 087600	STEPPING MOTOR
27	270 087668	M4 BOLT
28	270 088118	FEED REGULATOR

J 120 V

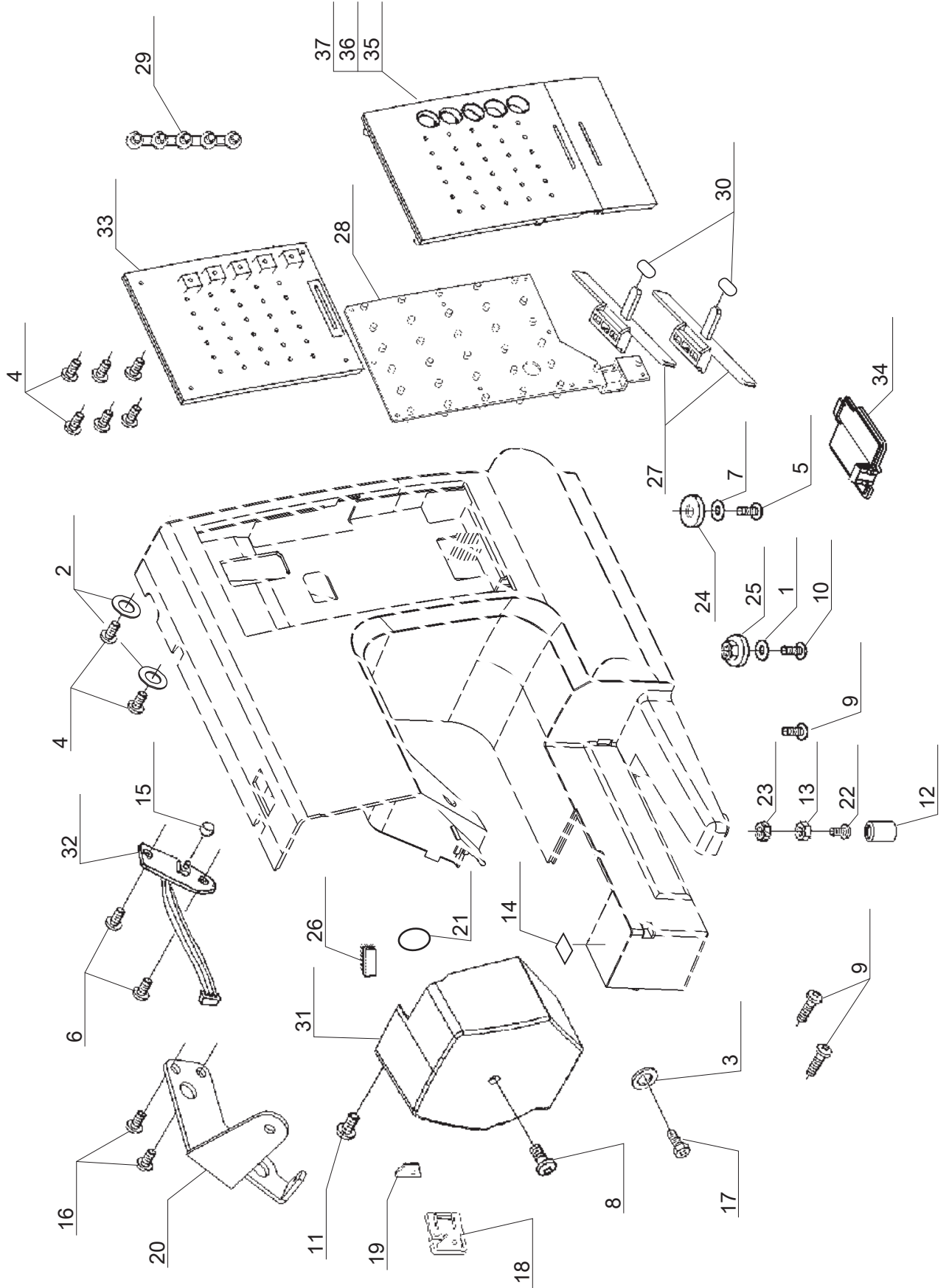


Pos	Part No.	Description
1	270 001520	E3 CLIP-ON-WASHER
2	270 039213	M3 SCREW
3	270 061222	M4 PHILIPS SCREW
4	270 061224	M4 PHILIPS SCREW
5	270 061225	M4 PHILIPS SCREW
6	270 077041	UNITY FASTENER
7	270 077042	M4 PHILLIPS SCREW
8	270 077614	GEAR CLUTCH
9	270 080076	SWITCH BRACKET
10	270 086945	JUMPER HARNESS
11	270 087126	MAIN MOTOR BRACKET
12	270 087237	MOTOR FAN
13	270 087261	CP BOLT
14	270 087263	DRIVING BELT
15	270 087291	CPU CIRCUIT BOARD BOX
16	270 087316	AC CIRCUIT BOARD BOX
17	270 087510	MAIN MOTOR
18	270 087513	PIN-JACK HARNESS
19	270 087514	TRANSFORMER
20	270 087522	13P CORD HARNESS
21	270 087523	4P CORD HARNESS
22	270 087524	5P CORD HARNESS
23		
24	270 087530	CIRCUIT BOARD
25	270 087536	INLET HARNESS
26	270 087541	SWITCH
27	270 087542	INSULATION SHEET
28	270 087585	CPU CIRCUIT BOARD

K 230 V

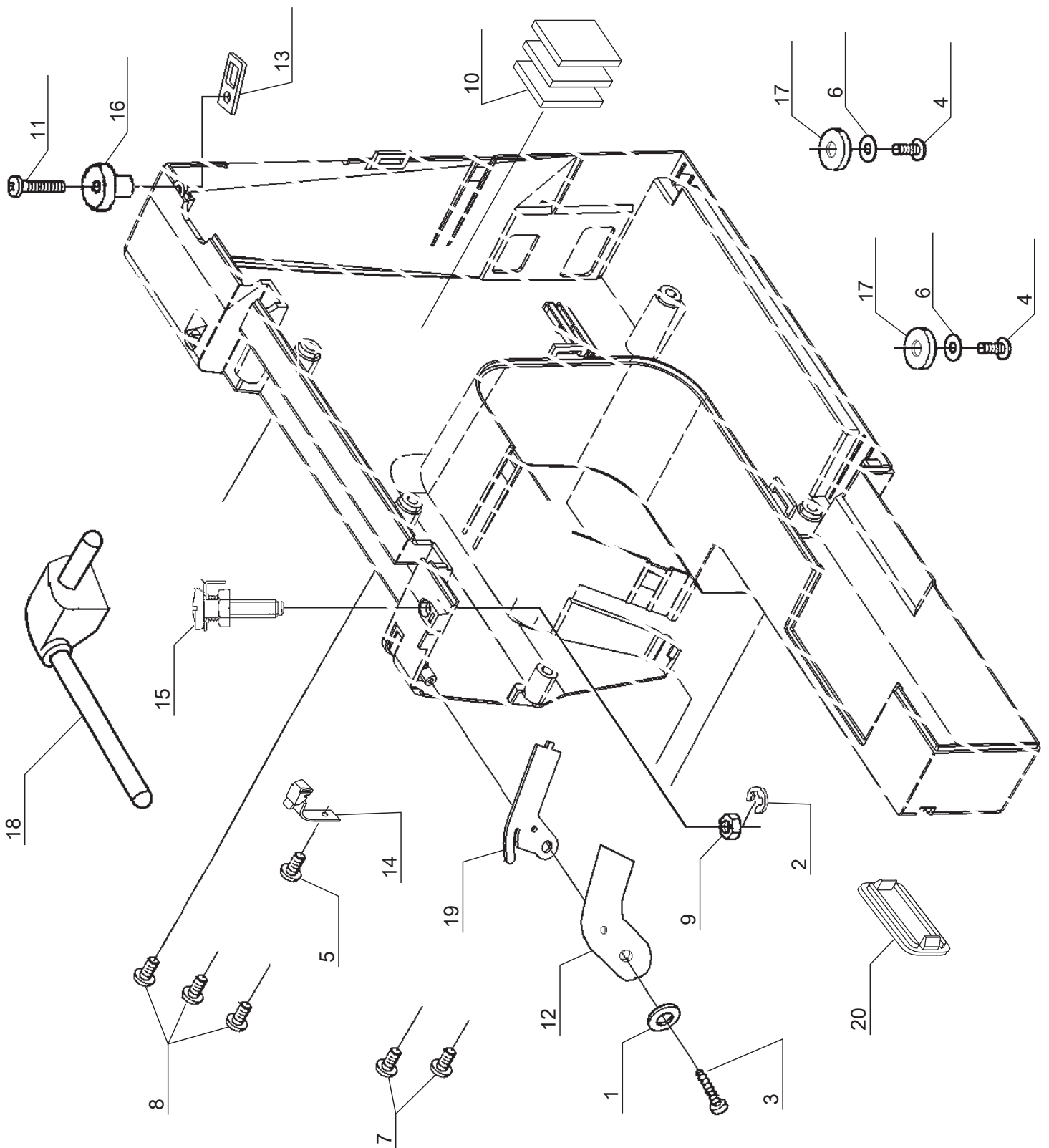


Pos	Part No.	Description
1	270 001520	E3 CLIP-ON-WASHER
2	270 039213	M3 SCREW
3	270 061222	M4 PHILIPS SCREW
4	270 061224	M4 PHILIPS SCREW
5	270 061225	M4 PHILIPS SCREW
6	270 077041	UNITY FASTENER
7	270 077042	M4 PHILLIPS SCREW
8	270 077614	GEAR CLUTCH
9	416474101	MAIN MOTOR
10	270 086945	JUMPER HARNESS
11	270 087126	MAIN MOTOR BRACKET
12	270 087237	MOTOR FAN
13	270 087249	SWITCH BRACKET
14	270 087257	BUSH
15	270 087261	CP BOLT
16	270 087263	DRIVING BELT
17	270 087291	CPU CIRCUIT BOARD BOX
18	270 087316	AC CIRCUIT BOARD BOX
19	270 087513	PIN-JACK HARNESS
20	270 087519	TRANSFORMER
21	270 087522	13P CORD HARNESS
22	270 087523	4P CORD HARNESS
23	270 087524	5P CORD HARNESS
24		
25	270 087541	SWITCH
26	270 087542	INSULATION SHEET
27	270 087553	CIRCUIT BOARD
28	270 087575	INLET HARNESS
29	270 087585	CPU CIRCUIT BOARD
30	416556301	MAIN MOTOR(240V)
31	416507801	TRANSFORMER(240V)



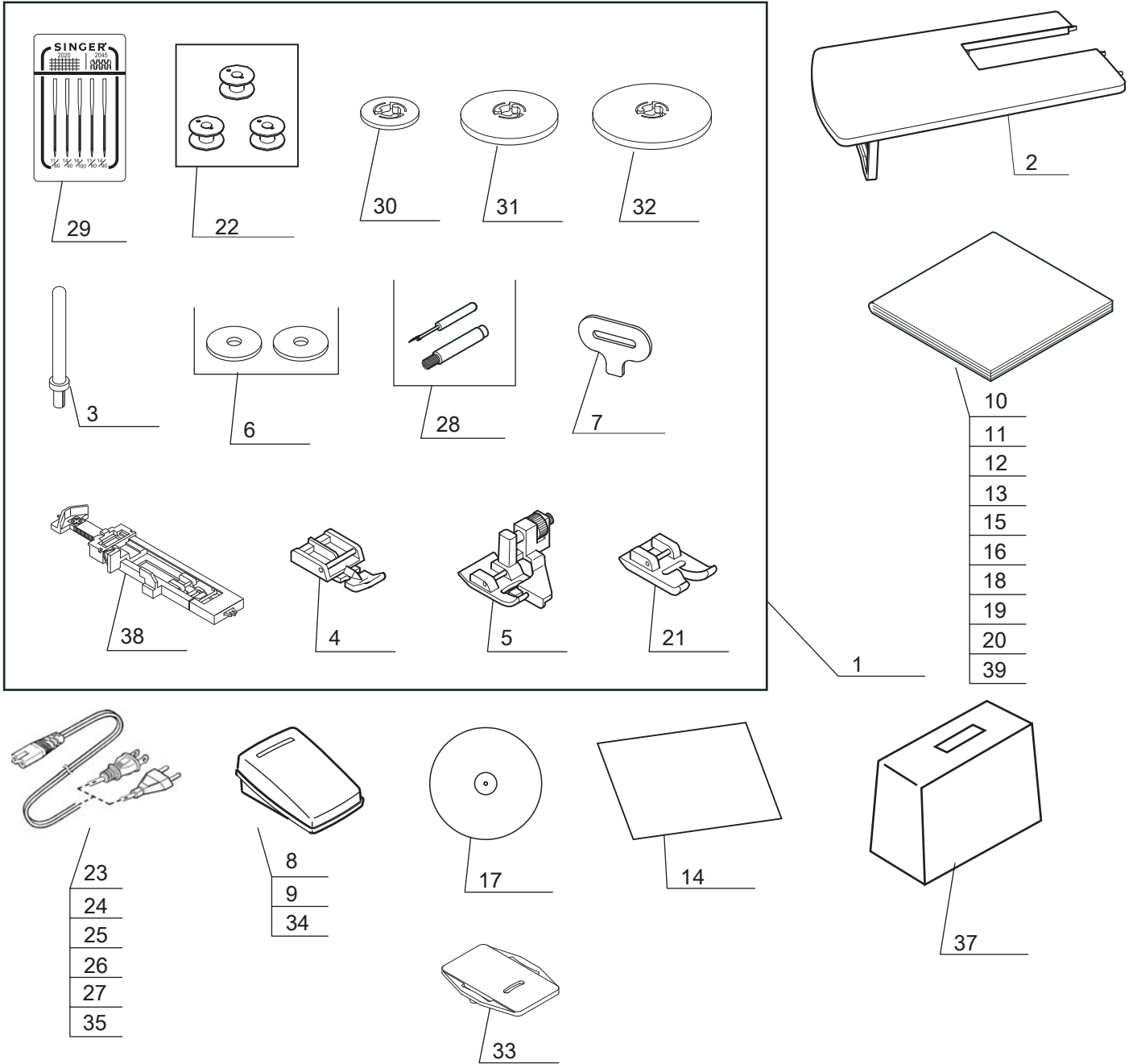
Pos	Part No.	Description
1	270 002744	WASHER
2	270 025670	WASHER
3	270 031246	WASHER
4	270 039213	M3 SCREW
5	270 044261	M4 SCREW
6	270 058024	TAPPING SCREW
7	270 059221	WASHER
8	270 061222	M4 PHILLIPS SCREW
9	270 061224	M4 PHILLIPS SCREW
10	270 064617	TAPPING SCREW
11	270 065736	M4 PHILLIPS SCREW
12	416509201	RUBBER CUSHION
13	270 073299	M4 TORQUE NUT
14	270 076511	SEAL
15	270 076588	BUTTON
16	270 077042	M4 PHILLIPS SCREW
17	270 077044	M3 PHILLIPS SCREW
18	270 077395	BLADE FIXTURE
19	270 077396	BLADE
20	270 080112	FACE COVER BRACKET
21	416458601	SEAL
22	270 086038	STUD SCREW
23	270 087218	NUT
24	416509301	RUBBER FOOT
25	270 087271	RUBBER FOOT
26	270 087272	BRUSH
27	270 087293	SLIDE LEVER
28	270 087306	LED PANEL
29	87322 = 416	BUTTON
30	270 087404	KNOB
31	270 087451	FACE COVER
32	270 087511	SWITCH HARNESS
33	270 087526	SWITCH CIRCUIT BOARD
34	270 088103	COVER
35	416492701	CONTROL PANEL (Condidence)
36	416556801	CONTROL PANEL (Experience160)
37	416556901	CONTROL PANEL (Symphony III)

M



Pos	Part No.	Description
1	270 004844	WASHER
2	270 004844	E2.5 CLIP-ON-WASHER
3	270 039213	M3 SCREW
4	270 044261	M4 SCREW
5	270 055894	TAPPING SCREW
6	270 059221	WASHER
7	270 061224	M4 PHILLIPS SCREW
8	270 064484	TAPPING SCREW
9	270 073299	M4 TORQUE NUT
10	270 076274	SPACER
11	270 077035	M4 PHILLIPS SCREW
12	270 077528	SPRING PLATE
13	270 087130	RETAINER
14	270 087142	RETAINER
15	270 087250	M4 SPECIAL SCREW UNIT
16	270 087251	BOBBIN WINDER CAM
17	416509301	RUBBER FOOT
18	270 087296	SPOOL PIN UNIT
19	270 087315	TENSION PLATE
20	270 087483	CAP

N



Pos	Part No.	Description
1	270 051053	ACCESSORY SET
2	270 051064	EXTENSION TABLE
3	270 064083	SPOOL PIN
4	270 006905008	ZIPPER FOOT
5	270 006904008	BLIND STITCH FOOT
6	270 077040	SPOOL PIN DISC
7	270 079455	LARGE SCREW DRIVER
8	416436101	FOOT CONTROL (PIN-JACK TYPE)
9	270 081495	FOOT CONTROL (PIN-JACK TYPE)
10	416556501	INSTRUCTION BOOK (Eng/Fre/Spa)
11	416556502	INSTRUCTION BOOK (Ita/Dut/Ger)
12	416556503	INSTRUCTION BOOK (Dan/Swe/Nor/Fin)
13	416556505	INSTRUCTION BOOK (Russ)
14	416556602	QUICK START GUIDE SEET (USA ONLY)
15	416556513	INSTRUCTION BOOK (Tur/Eng/Fre)
16	416556515	INSTRUCTION BOOK (Hre/Grc/Eng)
17	416556601	QUICK START GUIDE DVD (USA ONLY)
18	416556518	INSTRUCTION BOOK (KOREA)
19	416556520	INSTRUCTION BOOK (Cze/Svk/Hun/Pol)
20	416556521	INSTRUCTION BOOK (Eng/Fre/Ara)
21	270 085015	SATIN FOOT
22	270 085128	BOBBIN
23	270 085338	POWER CORD (UK ONLY)
24	270 085339	POWER CORD (230V)
25	416557101	POWER CORD (AUSTRALIA ONLY)
26	270 085349	POWER CORD (KOREA)
27	270 085354	POWER CORD (CHINA ONLY)
28	270 006099008	BUTTONHOLE OPENER / BRUSH
29	260 353364000	NEEDLE SET
30	270 087287	SPOOL PIN CAP (MINI)
31	270 087289	SPOOL PIN CAP (SMALL)
32	270 087290	SPOOL PIN CAP (LARGE)
33	270 087294	DARNING PLATE
34	270 087532	FOOT CONTROL (PIN-JACK TYPE)
35	270 087534	POWER CORD (120V)
36	416540601	POWER CORD (BRAZIL ONLY)
37	416538801	VINYL COVER
38	416465601	BUTTONHOLE FOOT
39	416556530	INSTRUCTION BOOK (Ger)