

PARTS LIST

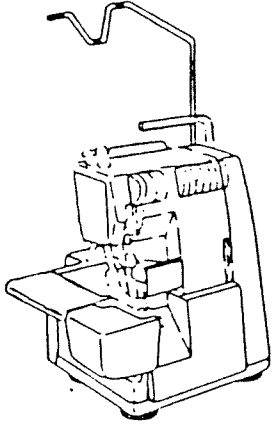
SINGER*

14U132A

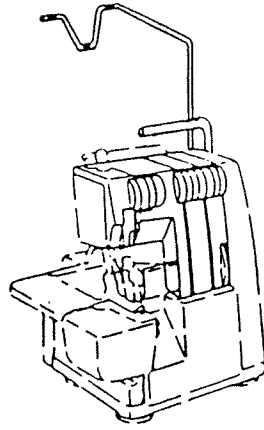
* A Trademark of THE SINGER COMPANY
Copyright © 1989 SINGER SEWING MACHINE COMPANY
All Rights Reserved Throughout The World

INDEX

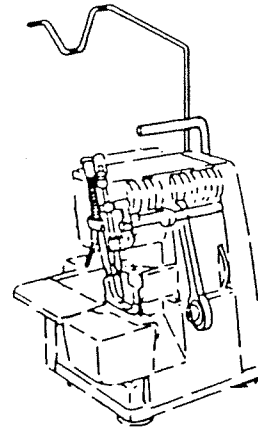
1



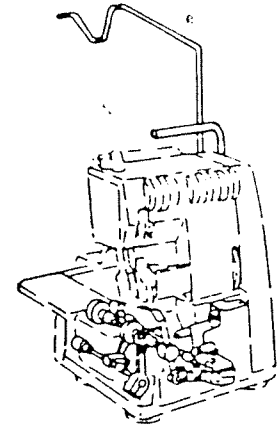
2



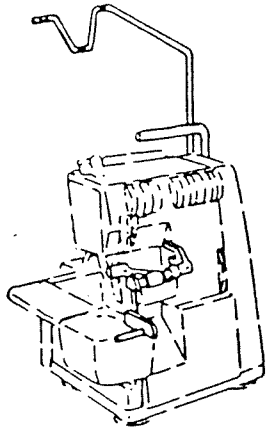
3



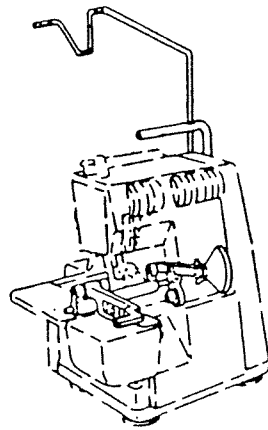
4



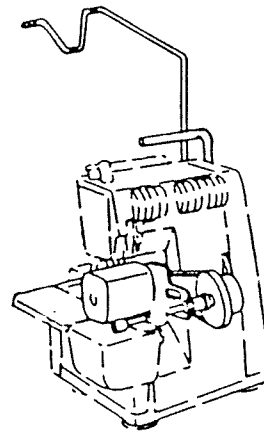
5



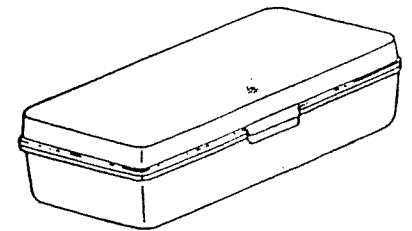
6

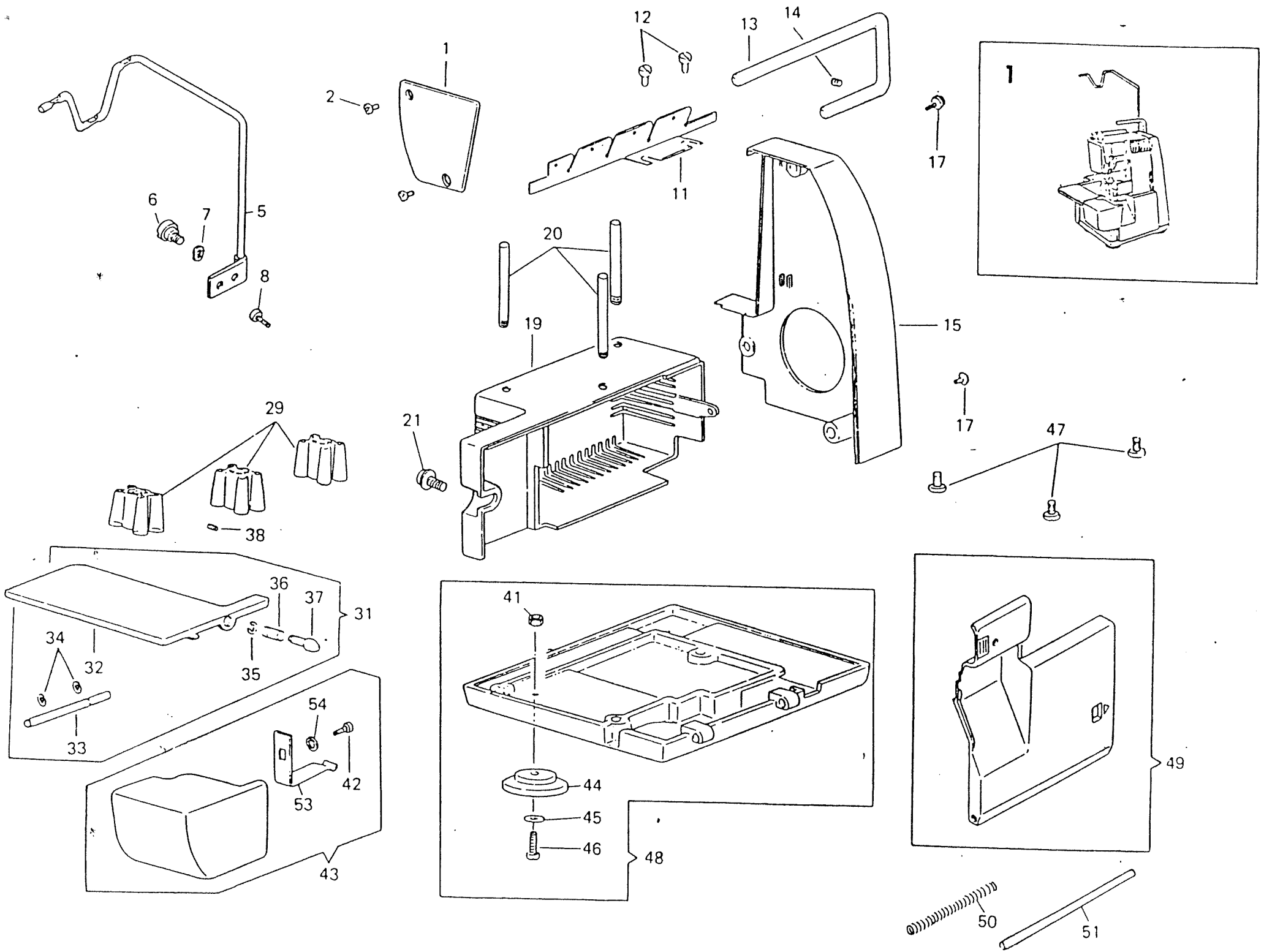


7

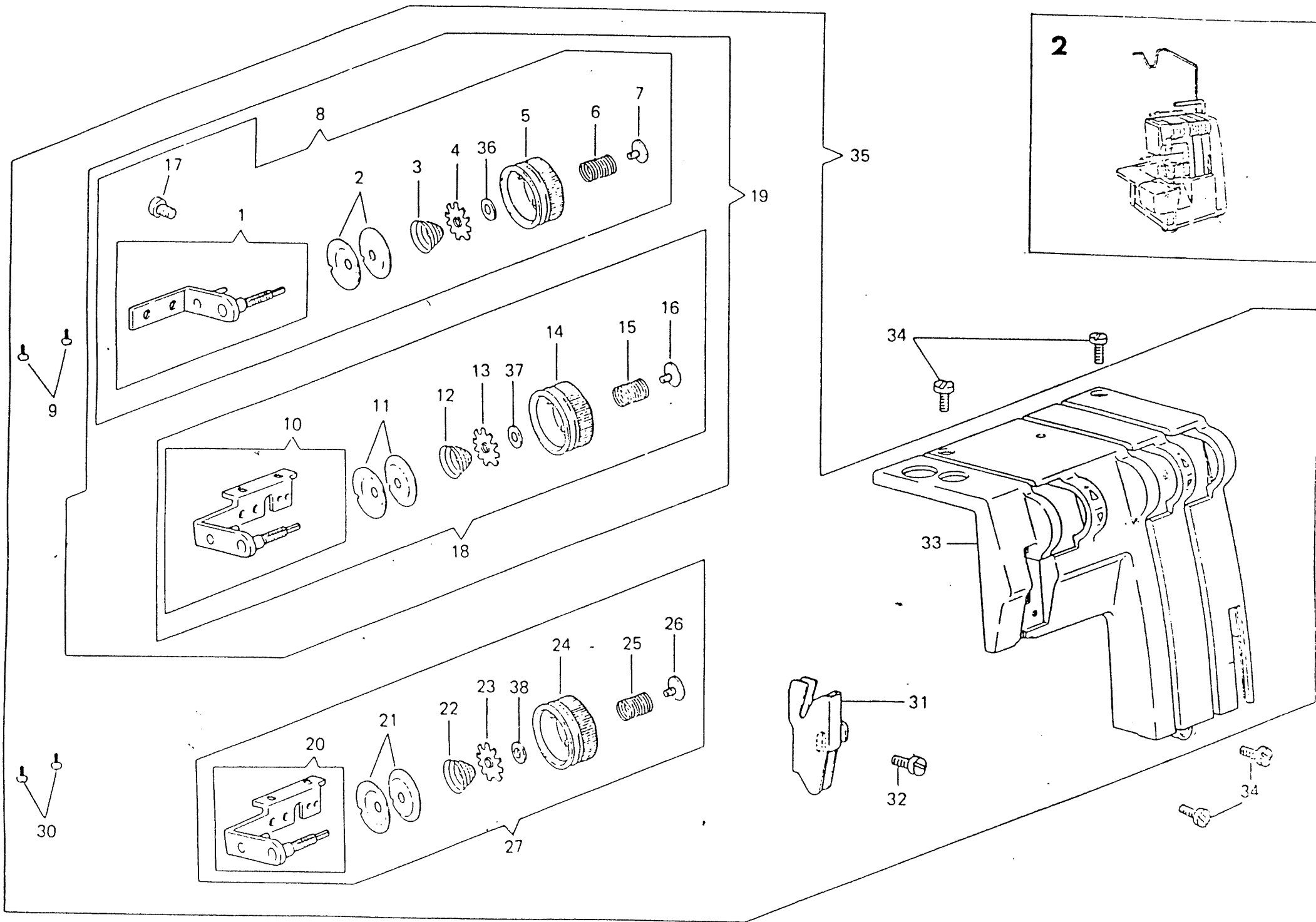


8

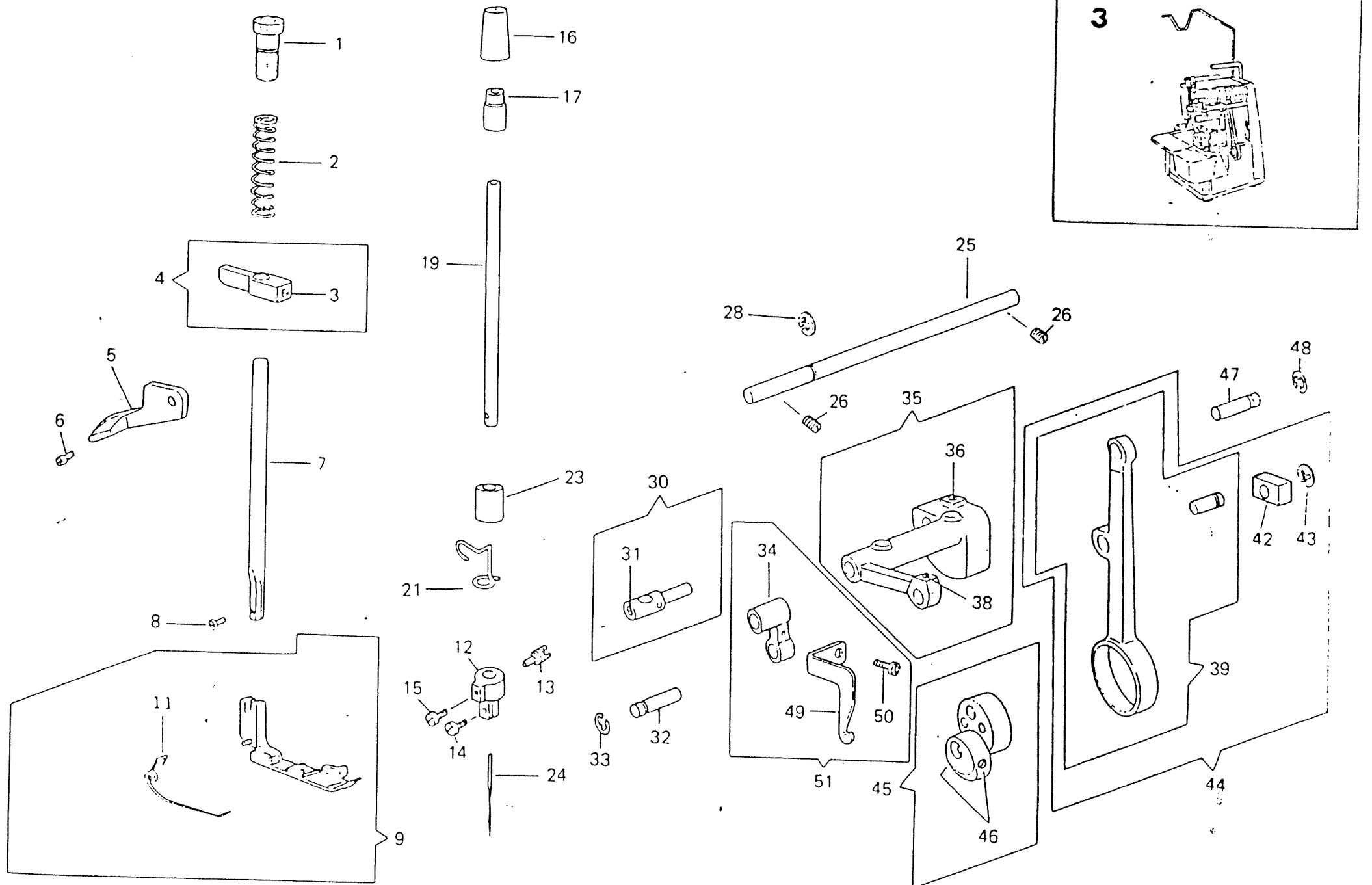




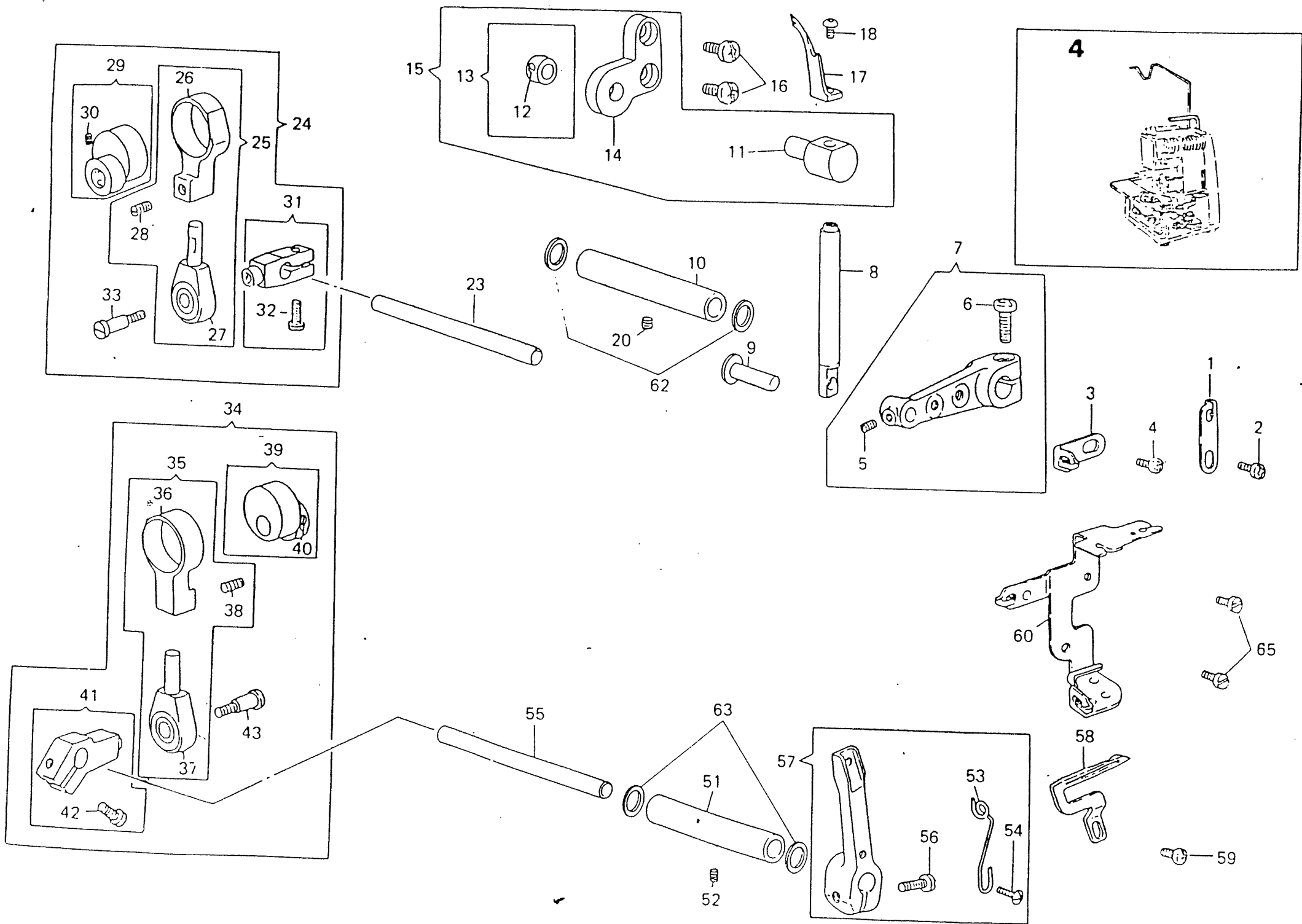
PART NO.	DESCRIPTION	PART NO.	DESCRIPTION
1 410241	Face Plate	41 541166-001	Machine Base Cushion Nut(4)
2 544212-072	Face Plate Screw(2)	42 412597	Cylinder Cover Spring Clamping Screw
5 376835	Thread Unwinder Complete	43 412706	Cylinder Cover Complete
6 374332	Thread Unwinder Screw Stud	44 410208	Machine Base Cushion(4)
7 409213	Thread Unwinder Wave Washer	45 543803-004	Machine Base Cushion Screw Washer(4)
8 544212-053	Thread Unwinder Stoper Screw	46 544218-002	Machine Base Cushion Screw(4)
		47 544214-005	Machine Base Screw(3)
		48 376794-001	Machine Base Complete
11 410209-002	Thread Guide Plate	49 376531-451	Looper Cover Complete
12 544212-001	Thread Guide Plate Set Screw(2)	50 376717	Looper Cover Hinge Spring
13 410202	Handle	51 410239	Looper Cover Hinge Pin
14 544204-002	Handle Set Screw	53 412632	Cylinder Cover Spring
15 410250	Pulley Cover	54 543304-003	Cylinder Cover Spring Clamping Screw Washer
17 544270-001	Pulley Cover Screw(3)		
19 376833-003	Motor Cover		
20 542412-677	Spool Pin(3)		
21 544270-001	Motor Cover Screw		
29 545893	Spool Holder(3)		
31 376781	Convertible Bed Plate Comp.		
32 376780	Convertible Bed Plate (body)		
33 376785	Convertible Bed Plate Stud		
34 546623	Convertible Bed Plate Stud Retaining Ring(2)		
35 546623	Convertible Bed Plate Latch Retaining Ring		
36 376786	Convertible Bed Plate Latch Spring		
37 381874-451	Convertible Bed Plate Latch		
38 544203-001	Convertible Bed Plate Stud.Screw		



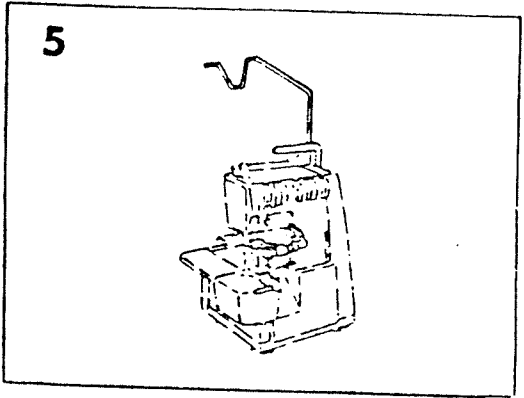
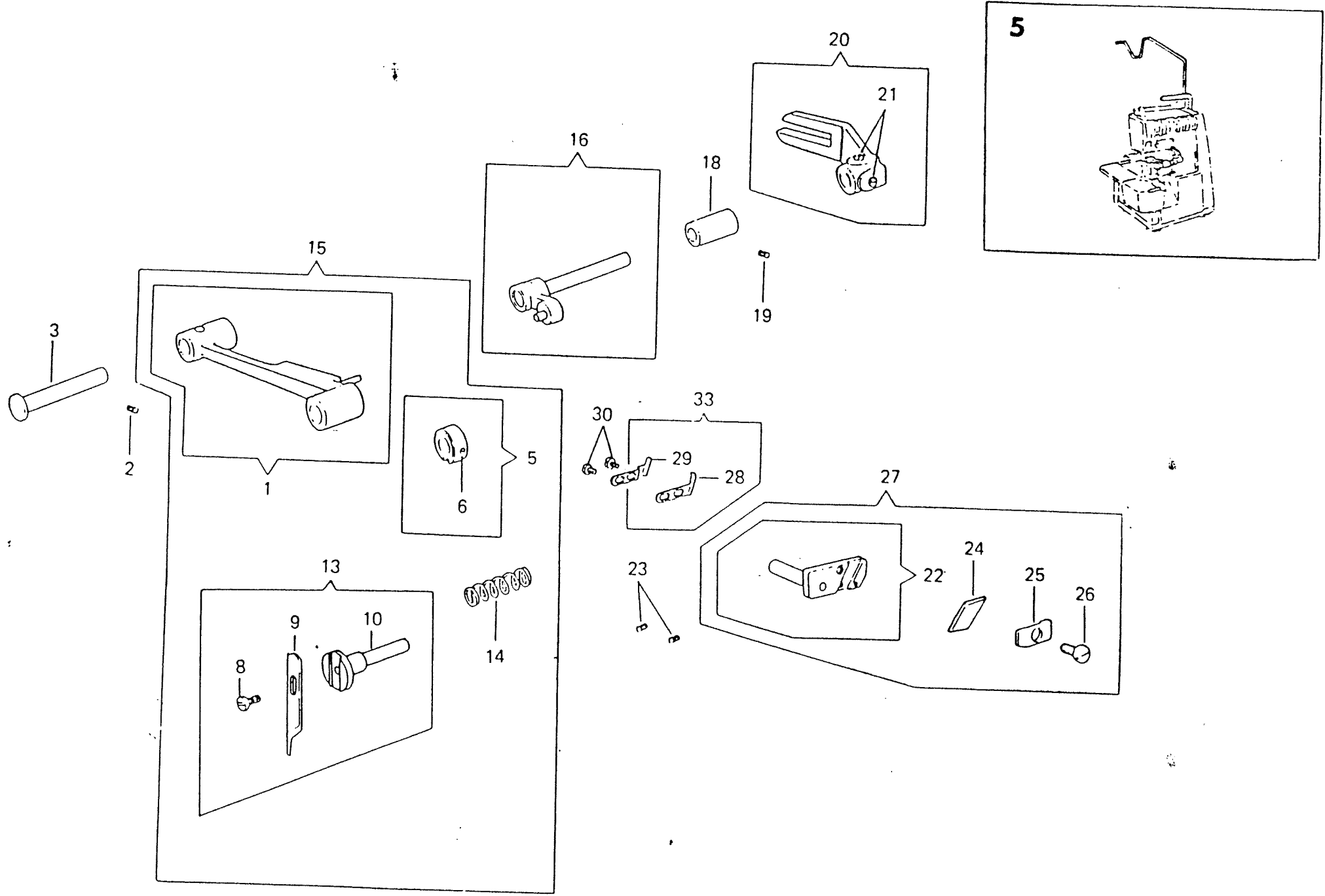
PART NO.	DESCRIPTION	PART NO.	DESCRIPTION
1	376818		One Turn Tension Dial Bracket (right) Comp.
2	410226		Tension Disc(2) (2)
3	412680		Tension Disc Spring
4	370289		Tension Disc Spring Nut
5	410229-460		Tension Dial Comp.
6	410230		Tension Dial Presser Spring (2)
7	544265		Tension Dial Presser Spring Screw
8	376831		One Turn Tension Dial Comp. (L)(right)
9	412697-002		Tension Dial Comp. Screw(2)
10	376817		One Turn Tension Dial Bracket (left) Comp.
11	410226		Tension Disc(2)
12	412679		Tension Disc Spring
13	370289		Tension Disc Spring Nut
14	410229-459		Tension Dial Comp.
15	410230		Tension Dial Presser Spring
16	544265		Tension Dial Presser Spring Screw
17	544212-001		Tension Dial Bracket (left) Set Screw
18	376832		One Turn Tension Dial Comp. (L)(left)
19	376820		One Turn Tension Dial Comp. (L)
20	376817		One Turn Tension Dial Bracket (left) Comp.
21	410226		Tension Disc(2)
22	412720		Tension Disc Spring
23	370289		Tension Disc Spring Nut
24	410229-462		Tension Dial Comp.
25	410230		Tension Dial Presser Spring
26	544265		Tension Dial Presser Spring Screw
27	370258		One Turn Tension Dial Comp. (N)
30	412697-002		Tension Dial Comp. Screw(2)
31	410466-002		Front Cover Thread Guide
32	412697		Front Cover Thread Guide Set Screw
33	412715-004		Front Cover (body) Comp.
34	544212-073		Front Cover Screw(4)
35	376828-002		Front Cover Comp.
36	412696		Washer
37	412696		Washer
38	412696		Washer



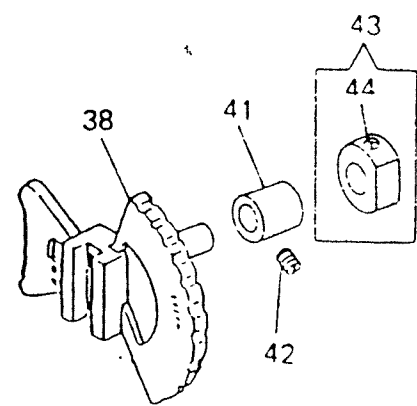
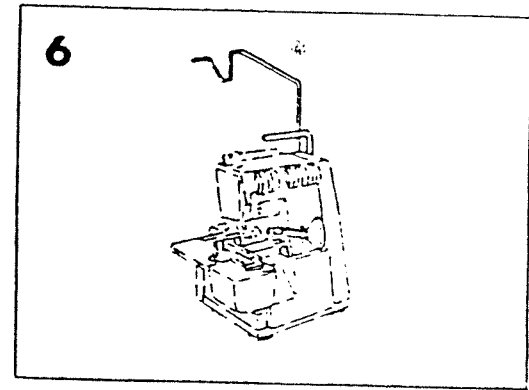
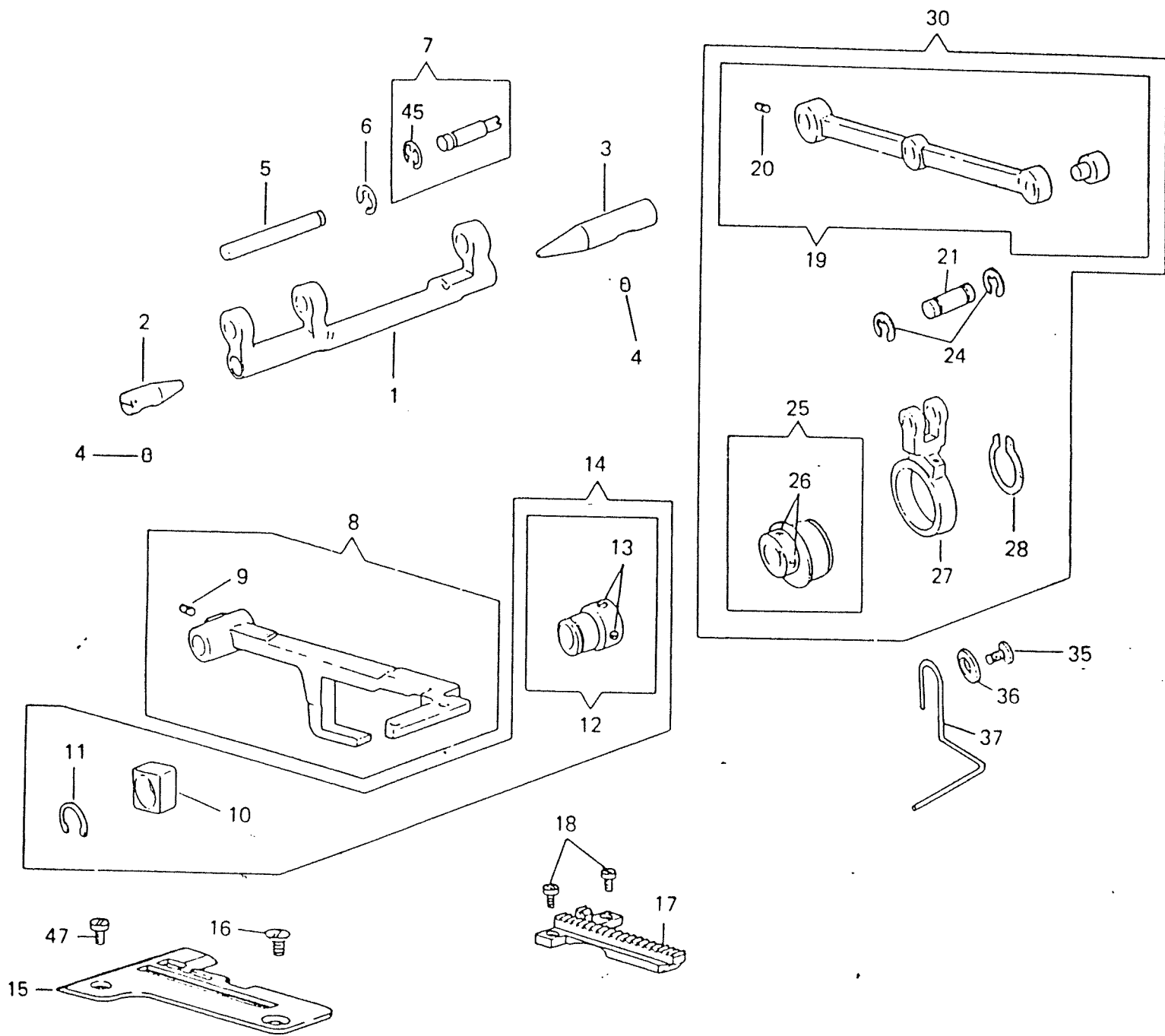
PART NO.	DESCRIPTION	PART NO.	DESCRIPTION
1	544262-002 Presser Regulating Thru Screw	39	370243 Needle Bar Crank Rod Comp.
2	410355 Presser Bar Spring		
3	544204-001 Presser Bar Guide Bracket Screw		
4	410352 Presser Bar Guide Bracket Comp.	42	511030 Needle Bar Crank Rod Slide Block
5	412787 Presser Bar Lifter	43	543801-006 Needle Bar Crank Rod Slide Block Pin Retaining Ring
6	544441 Presser Bar Lifter Screw Stud	44	370242 Needle Bar Crank Rod Comp.
7	410351 Presser Bar	45	410461 Needle Bar Eccentric Cam Comp.
8	504063-451 Presser Foot Screw	46	544204-002 Needle Bar Eccentric Cam Set Screw(2)
9	376811 Presser Foot Comp.	47	410340 Needle Bar Crank Rod Pin
11	410348 Presser Foot Spring	48	543801-006 Needle Bar Crank Rod Pin Retaining Ring
12	376845 Needle Clamp	49	410463 Needle Thread Take-up
13	374102 Needle Bar Set Screw	50	544211-051 Needle Thread Take-up Screw
14	376805 Needle Set Screw	51	410451 Needle Bar Connecting Link Comp.
15	544211-059 Needle Bar Thread Guide Set Screw		
16	410322 Needle Bar Bushing (upper) Cap		
17	410323 Needle Bar Bushing (upper)		
19	376844 Needle Bar		
21	376846 Needle Bar Thread Guide		
23	410324 Needle Bar Bushing (lower)		
24	N2054-01-14 Needle (#14)		
25	376814 Arm Shaft		
26	544204-002 Arm Shaft Set Screw(2)		
28	543801-007 Arm Shaft Retaining Ring		
30	410325 Needle Bar Connecting Stud		
31	544044 Needle Bar Connecting Stud Screw		
32	410340 Needle Bar Connecting Link Pin		
33	543801-006 Needle Bar Connecting Link Pin Retaining Ring		
34	410327 Needle Bar Connecting Link		
35	412707-001 Needle Bar Crank Comp		
36	544203-001 Needle Bar Crank Rod Pin Screw		
38	544203-001 Needle Bar Connecting Link Pin		



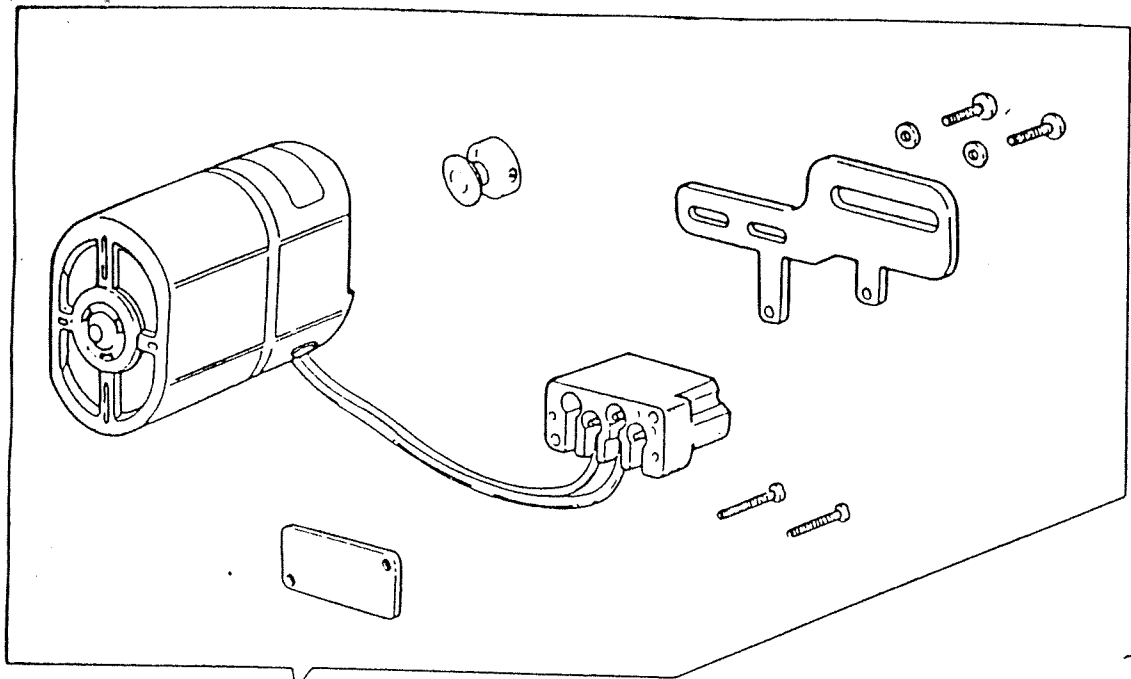
PART NO.	DESCRIPTION	PART NO.	DESCRIPTION
1 410455	Right Looper Thread Guide	39 376701	Looper Cam Comp.
2 544212-001	Right Looper Thread Guide Set Screw	40 544204-001	Looper Cam Set Screw(2)
3 410438	Left Looper Thread Guide	41 412793	Left Looper Shaft Lever Comp.
4 544212-001	Left Looper Thread Guide Set Screw	42 544213-054	Left Looper Shaft Lever Screw
5 544203-001	Right Looper Retainer Driving Lever Stud Set Screw	43 374136	Screw Stud
6 544213-053	Right Looper Retainer Driving Lever Clamping Screw		
7 410436	Right Looper Retainer Driving Lever Comp.		
8 410435	Right Looper Retainer		
9 370290	Right Looper Retainer Driving Lever Stud		
10 376799	Right Looper Shaft Bushing		
11 410429	Right Looper Retainer Guide		
12 544203-001	Right Looper Retainer Guide Collar Screw(2)		
13 410432	Right Looper Retainer Guide Collar Comp.	51 376798	Left Looper Shaft Bushing
14 410428	Right Looper Retainer Guide Bracket	52 544204-001	Left Looper Shaft Bushing Set Screw
15 410427	Right Looper Retainer Guide Bracket Comp.	53 410456	Left Looper Holder Thread Guide
16 544213-002	Right Looper Retainer Guide Bracket Screw(2)	54 544212-001	Left Looper Holder Thread Guide Screw
17 410434	Right Looper	55 376813	Left Looper Shaft
18 544413	Right Looper Screw	56 544213-053	Left Looper Holder Clamping Screw
		57 376838	Left Looper Holder Comp.
20 544204-001	Right Looper Shaft Bushing Set Screw	58 410452	Left Looper
		59 544211-052	Left Looper Screw
		60 376800-001	Looper Thread Guide
23 376813	Right Looper Shaft		
24 376707	Right Looper Cam Rod Comp.	62 542402	Right Looper Shaft Bushing Thrust Washer(2)
25 412793	Looper Cam Rod Comp.	63 542402	Left Looper Shaft Bushing Thrust Washer(2)
26 412794	Looper Cam Rod		
27 412795	Rod End		
28 544208-002	Rod End Set Screw	65 544212-001	Looper Thread Guide Screw(2)
29 376701	Looper Cam Comp.		
30 544204-001	Looper Cam Set Screw(2)		
31 412796	Right Looper Shaft Lever Comp.		
32 544213-054	Right Looper Shaft Lever Screw		
33 374136	Screw Stud		
34 376708	Left Looper Cam Rod Comp.		
35 412793	Looper Cam Rod Comp.		
36 412794	Looper Cam Rod		
37 412795	Rod End		
38 544208-002	Rod End Set Screw		



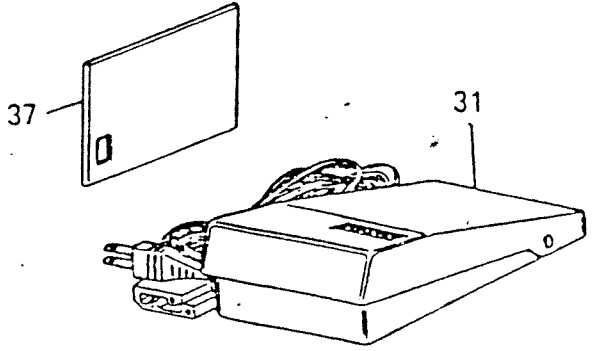
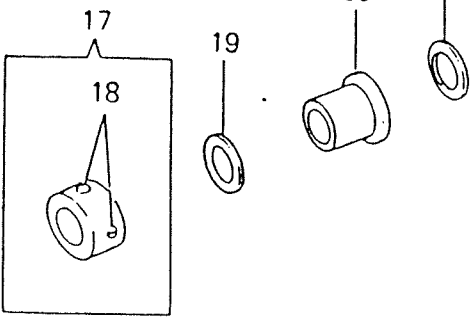
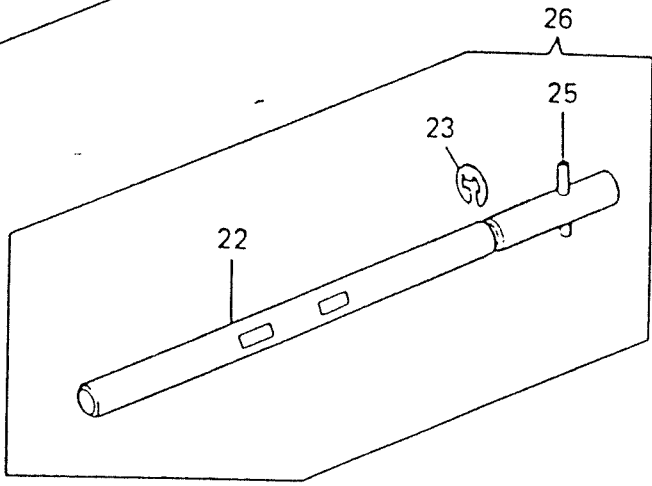
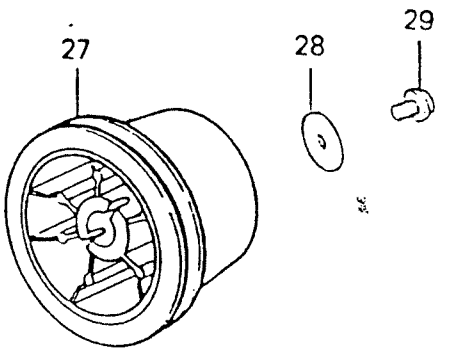
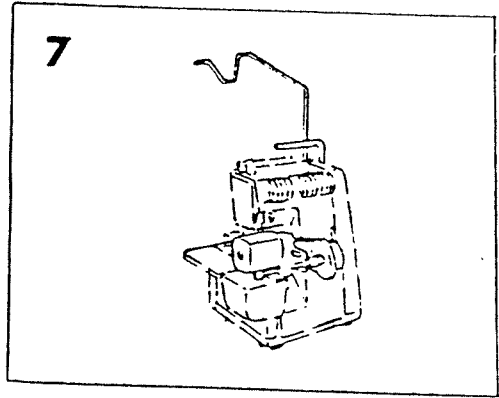
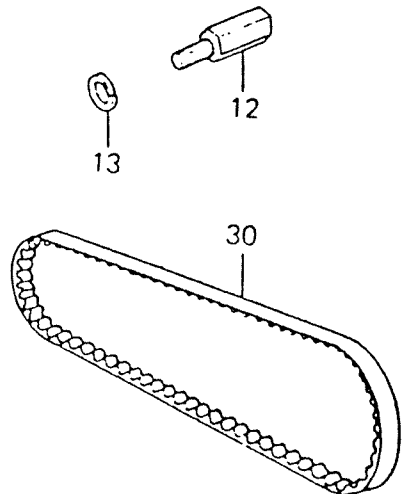
PART NO.	DESCRIPTION	PART NO.	DESCRIPTION
1 376842-452	Knife (movable) Lever Comp.		
2 544204-001	Knife (movable) Lever Hing Stud Screw		
3 410310	Knife (movable) Lever Hing Stud		
5 410308	Knife (movable) Holder Collar Comp.		
6 544203-001	Knife (movable) Holder Coller Set Screw		
8 544407	Knife (movable) Screw		
9 412585	Knife (movable)		
10 412586	Knife (movable) Holder		
13 412584	Knife (movable) Comp.		
14 410307	Knife (movable) Holder Spring		
15 376841-452	Knife (movable) Lever Comp.		
16 410312-012	Knife (movable) Lever Driving Arm Comp.		
18 410316	Knife (movable) Forked Lever Stud Bushing		
19 544204-001	Knife (movable) Forked Lever Stud Bushing Set Screw		
20 410317	Knife (movable) Forked Lever (comp.)		
21 544204-001	Knife (movable) Forked Lever Screw(2)		
22 376858	Knife (stationary) Holder		
23 544207-011	Knife (stationary) Holder Screw(2)		
24 412749	Knife (stationary)		
25 410297	Knife (stationary) Clamping Plate		
26 544256	Knife (stationary) Clamping Plate Screw		
27 376859	Knife (stationary) Comp.		
28 410473	Needle Guard (front)		
29 410474	Needle Guard (rear)		
30 545180	Needle Guard Set Screw(2)		
33 412657	Needle Guard Comp.		



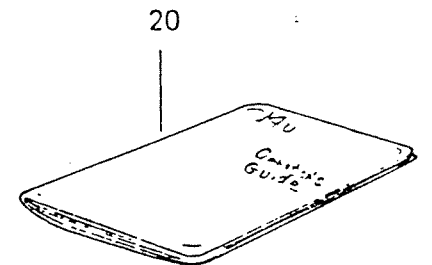
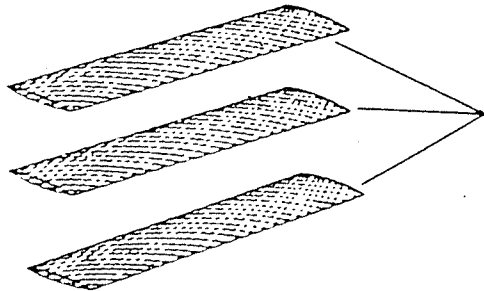
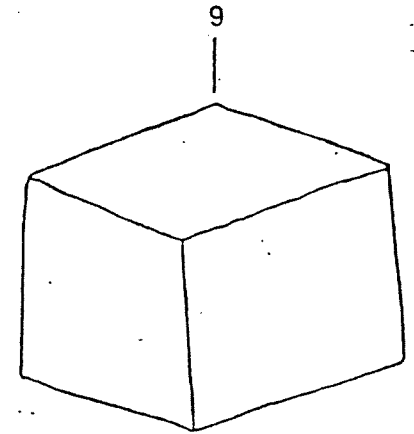
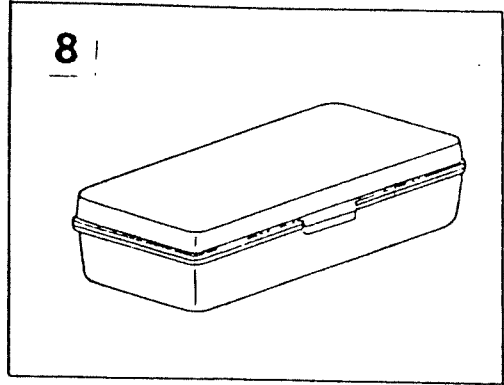
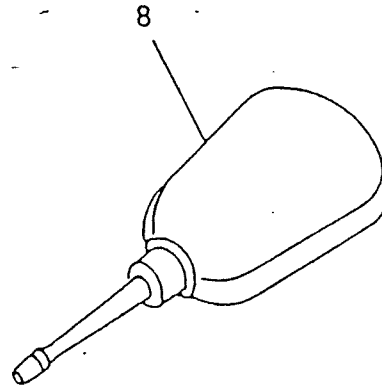
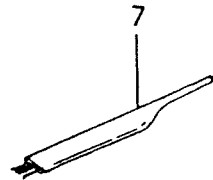
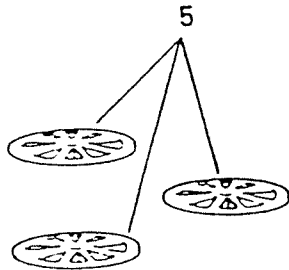
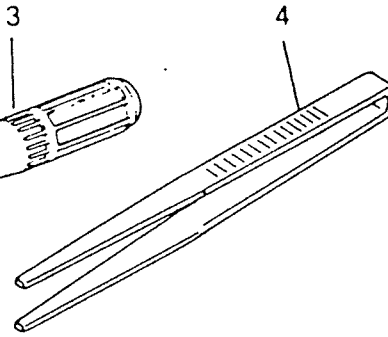
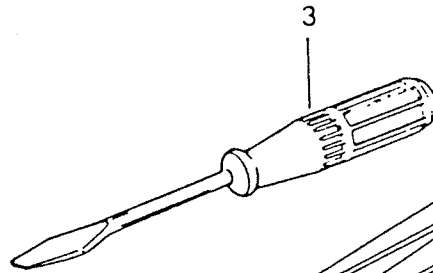
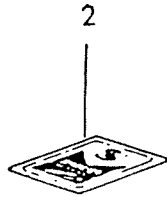
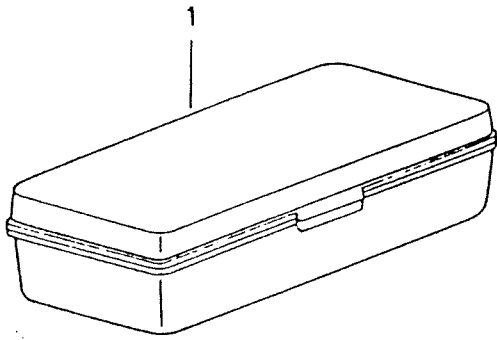
PART NO.		DESCRIPTION	PART NO.		DESCRIPTION
1	410378	Feed Crank			
2	410380	Feed Crank Pin Center (small)			
3	376795	Feed Crank Pin Center (large)			
4	544204-001	Feed Crank Pin Center Screw(2)	41	410370	Feed Regulator Stud Bushing
5	410381	Feed Crank Pin	42	544204-001	Feed Regulator Stud Bushing Set Screw
6	543801-006	Feed Crank Pin Retaining Ring	43	410409	Feed Regulator Stud Collar Comp.
7	410382	Feed Crank Eccentric Pin Comp.	44	504007	Feed Regulator Stud Collar Screw
8	410399	Feed Bar Comp.	45	543801-007	Feed Crank Eccentric Pin Retaining Ring
9	544204-001	Feed Crank Pin Screw			
10	410387	Feed Lifting Cam Slid Block	47	412694	Throat Plate Position Screw
11	543818-010	Feed Lifting Cam Slide Block Retaining Ring			
12	410385	Feed Lifting Cam Comp.			
13	544204-001	Feed Lifting Cam Set Screw(2)			
14	410384	Feed Lifting Cam Comp.			
15	376703	Throat Plate			
16	504050-351	Throat Plate Screw			
17	412781	Feed Dog			
18	544103	Feed Dog Screw(2)			
19	376852	Feed Regulator Crank Rod Comp.			
20	544204-001	Feed Crank Eccentric Pin Screw			
21	410363	Feed Crank Rod Pin			
24	543801-006	Feed Crank Rod Pin Retaining Ring			
25	410360	Feed Cam Comp.			
26	544203-001	Feed Cam Screw(2)			
27	410362	Feed Crank Rod			
28	543802-014	Feed Cam Retaining Ring			
30	376850	Feed Regulator Crank Rod Comp.			
35	544213-001	Feed Regulator Dial Spring Screw			
36	543803-004	Feed Regulator Dial Spring Washer			
37	376810	Feed Regulator Dial Spring			
38	412788-001	Feed Regulator Dial Comp.			



10



PART NO.	DESCRIPTION	PART NO.	DESCRIPTION
10	419196-251 Motor Comp.		
12	544259 Motor Bracket Clamping Screw		
13	543805-005 Motor Bracket Clamping Screw Washer		
14	410252 Rotating Shaft Bushing (left)		
17	410470 Rotating Shaft Collar Comp.		
18	544204-001 Rotating Shaft Collar Set Screw(2)		
19	403730 Rotating Shaft Thrust Washer(2)		
20	410253 Rotating Shaft Bushing (right)		
22	376816 Rotating Shaft		
23	543801-010 Rotating Shaft Retaining Ring		
25	543809-004 Rotating Shaft Spring Pin		
26	376808 Rotating Shaft Comp.		
27	410268-001 Pulley		
28	543848 Pulley Set Screw Washer		
29	544270-001 Pulley Set Screw		
30	412721 Motor Belt		
31	419465-051 Controller Comp.		
37	419460-901 Electrical Data Plate		



PART NO.	DESCRIPTION	PART NO.	DESCRIPTION
1	543150-002 Accessory Box		
2	N2054-01-14 Needle (#14) (2)		
3	541513 Driver		
4	376853 Tweezers		
5	546894 Thread Unwinder Spool Cap (3)		
6	412749 Knife (Stationary)		
7	546358 Brush		
8	541574 Oiler		
9	543158 Machine Cover		
10	543131 Thread Unwinder Spool Net (3)		
11	412658-022 Accessory Set		
20	379239-002 Operator's Guide (for ENGLISH)		
20	379239-005 Operator's Guide (for FRENCH)		
20	379239-007 Operator's Guide (for GERMAN)		
20	379239-010 Operator's Guide (for DUTCH)		
20	379239-013 Operator's Guide (for ITALIAN)		

