

SINGER
14U12A,22A,52A

Form U3600 (485)
Part No. 379005-002

PARTS LIST

SINGER^{*}

14U12A

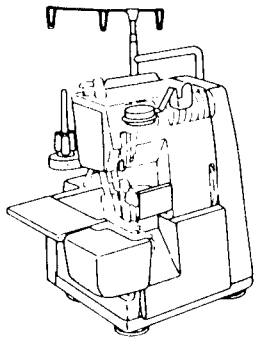
14U22A

14U52A

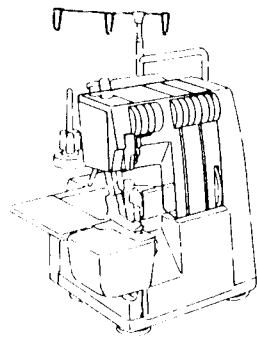
* A Trademark of THE SINGER COMPANY
Copyright © 1985 THE SINGER COMPANY
All Rights Reserved Throughout World

INDEX

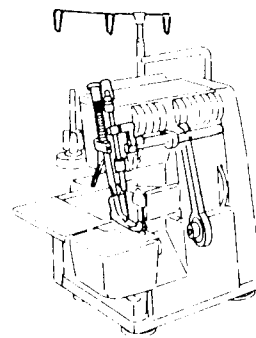
1



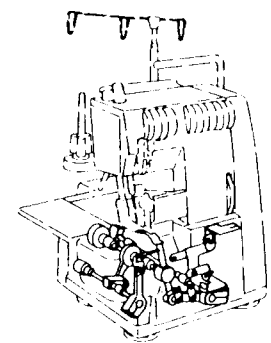
2



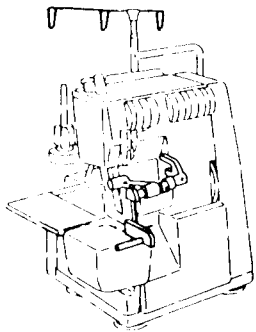
3



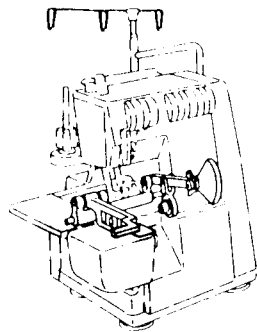
4



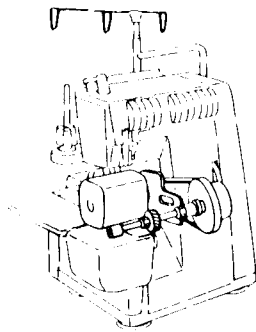
5



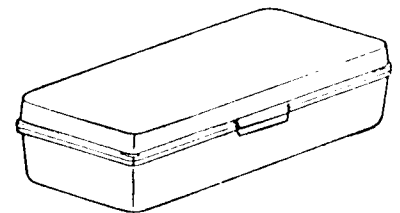
6



7

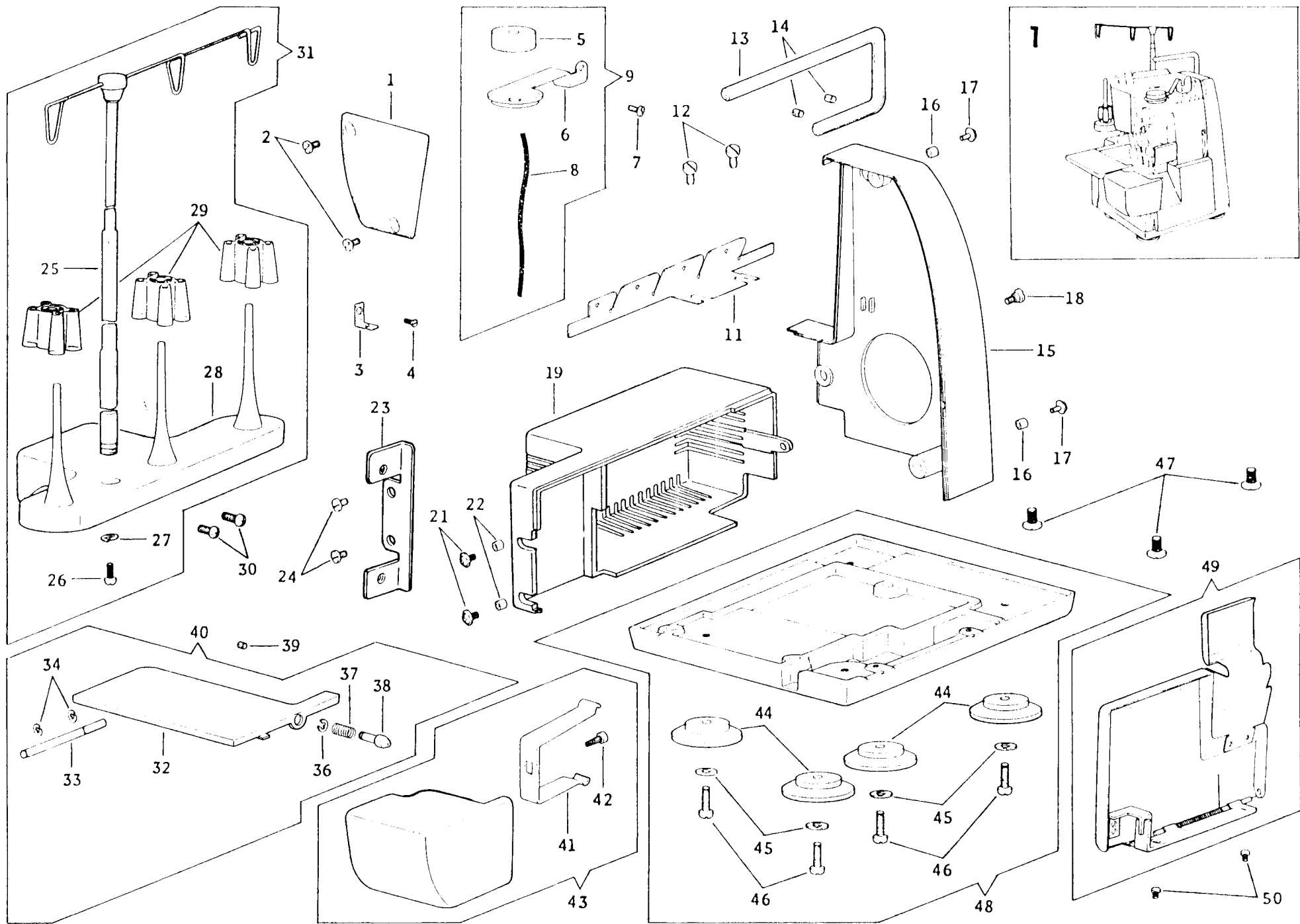


8

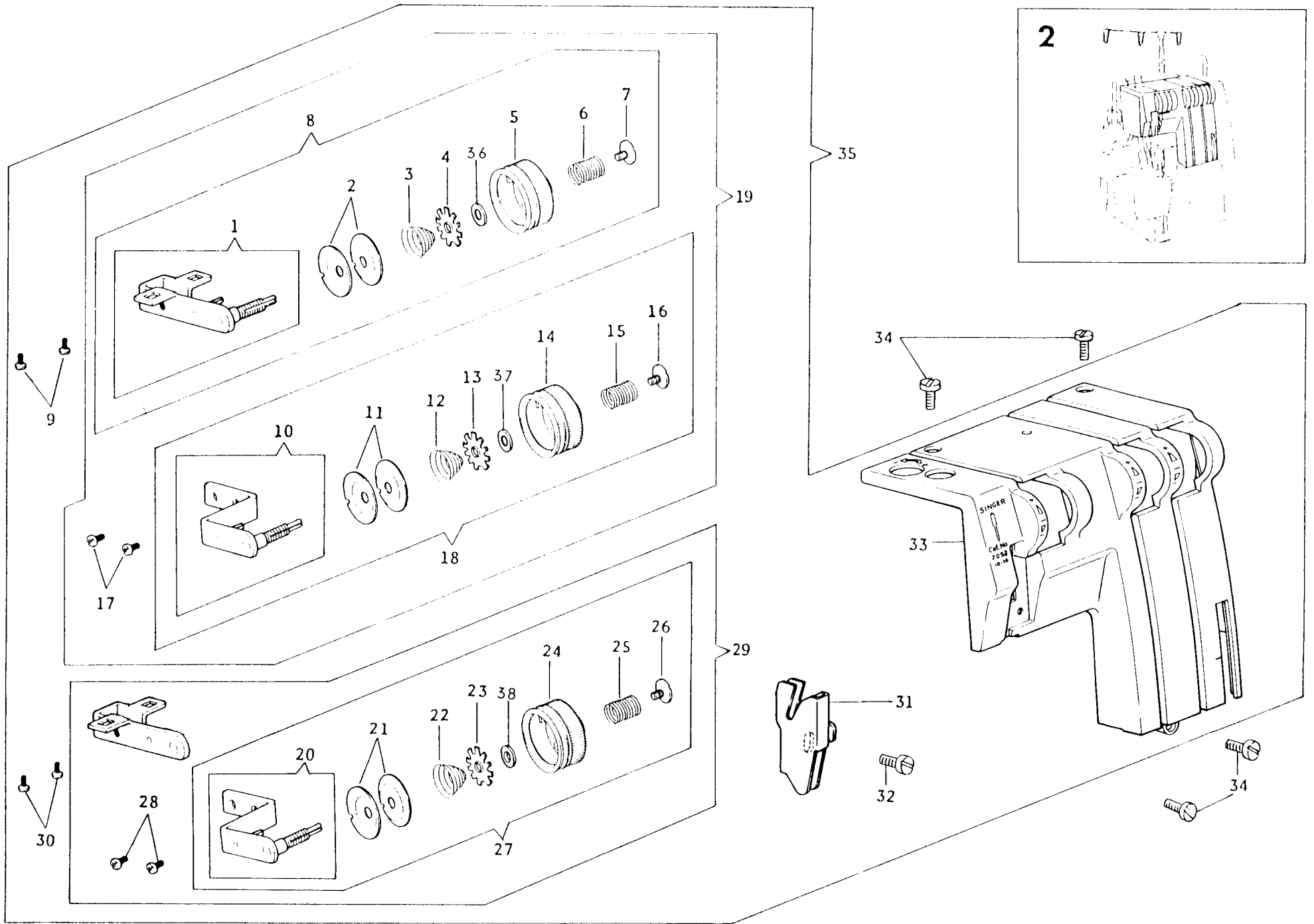


9

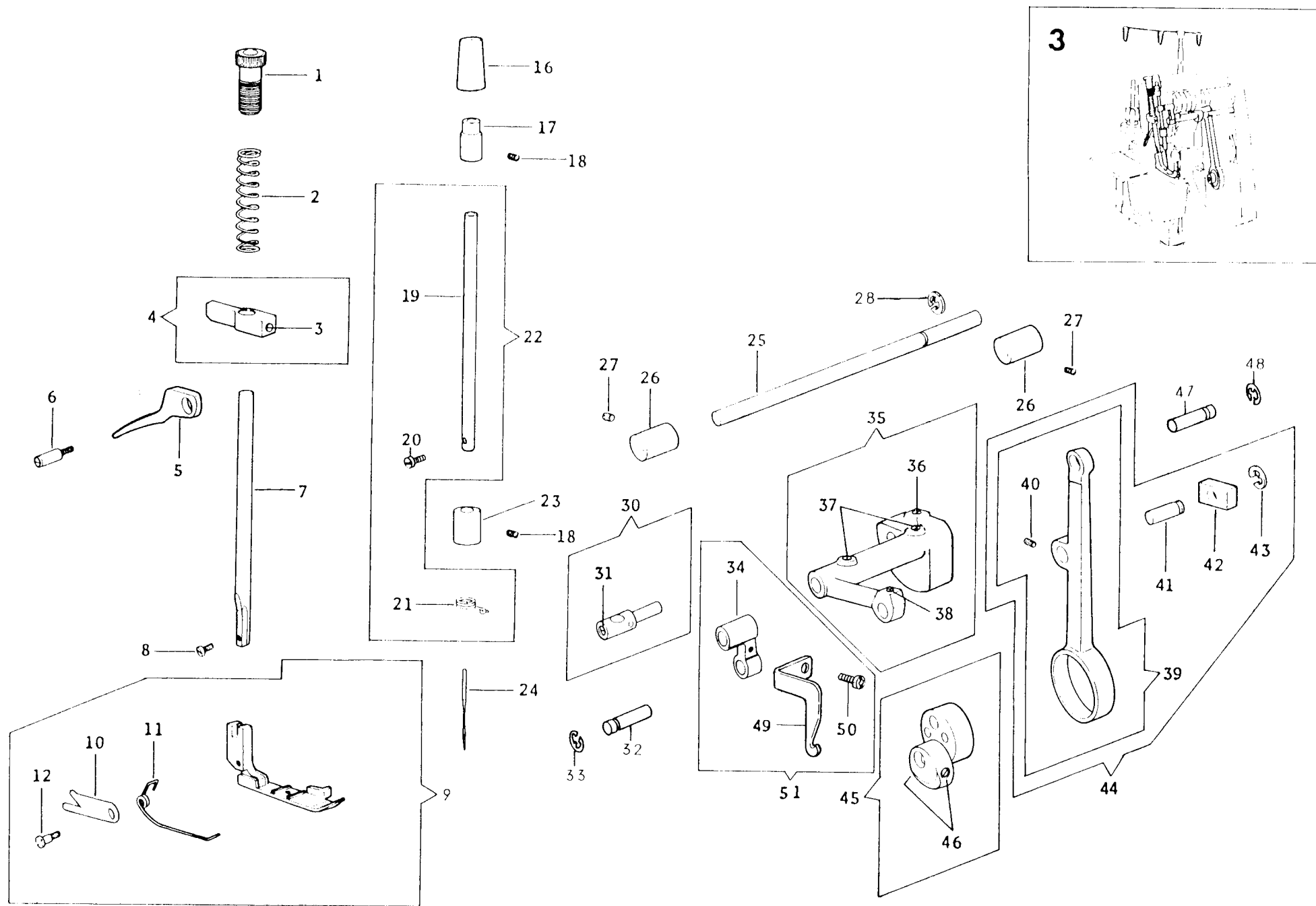
PARTS UNIQUE TO 14U22



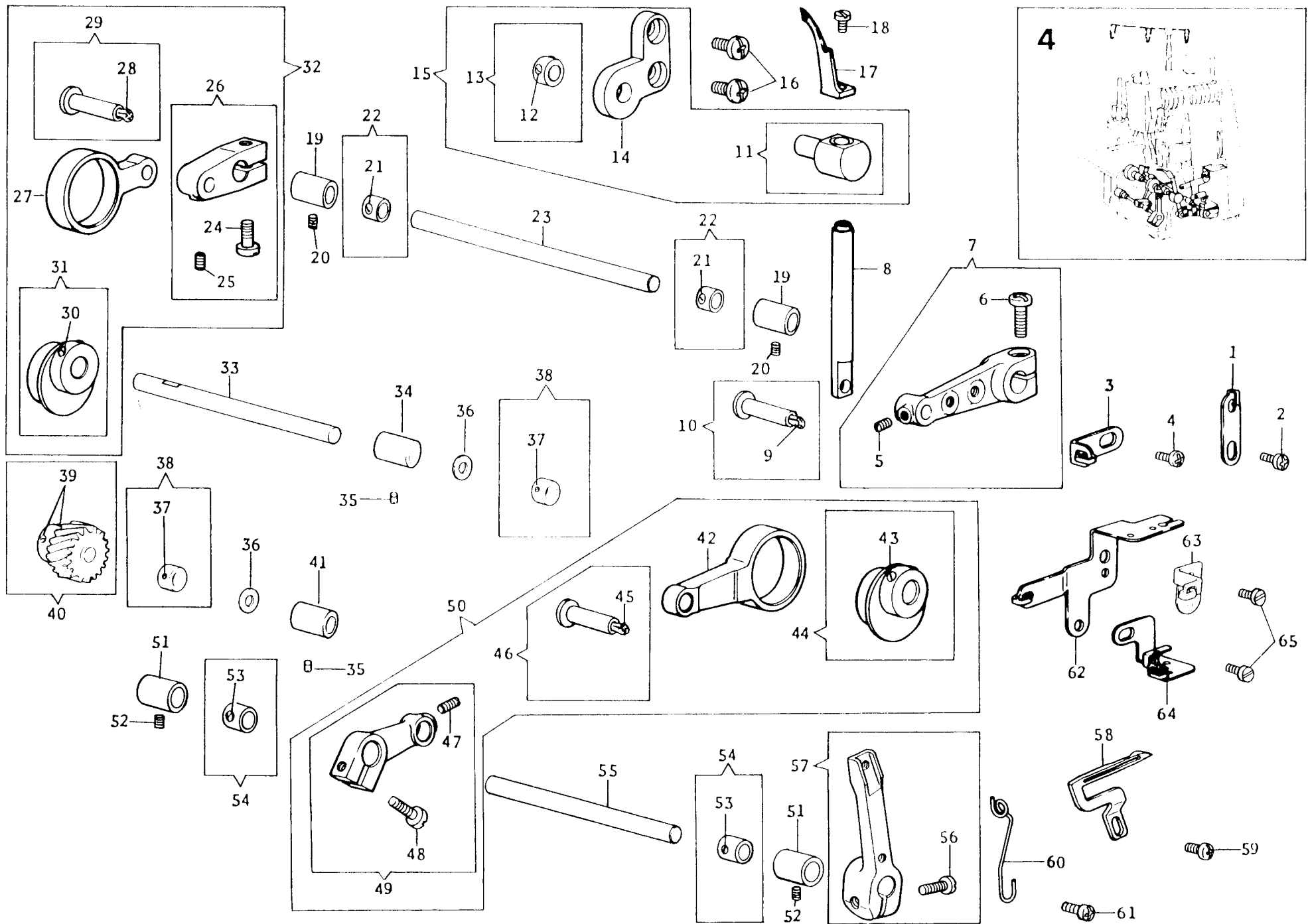
	PART NO.	DESCRIPTION		PART NO.	DESCRIPTION			
1	410241	Face Plate	49	410235-022	Looper Cover Complete (for 52A)			
2	544212-072	Face Plate Screw (2)	50	544212-001	Looper Cover Screw (2)			
3	410210-452	Needle Thread Guide						
4	544258	Needle Thread Guide Screw						
5	410205	Felt						
6	410204	Felt Support						
7	544059	Felt Support Set Screw						
8	543570	Oil Wick						
9	410203	Felt Support						
11	410209	Thread Guide Plate						
12	544212-001	Thread Guide Plate Set Screw (2)						
13	410202	Handle						
14	544204-005	Handle Set Screw						
15	410250	Pulley Cover						
16	408792	Pulley Cover Screw Spacer (2)						
17	544270-001	Pulley Cover Screw (2)						
18	544271	Pulley Cover Screw Stud (long)						
19	410248	Motor Cover						
21	544270-001	Motor Cover Screw (2)						
22	408792	Motor Cover Screw Spacer (2)						
23	410468	Motor Cover Mounting Plate						
24	544212-001	Motor Cover Mounting Plate Screw						
25	410596	Thread Unwinder Thread Guide Rod Complete						
26	544212-003	Thread Unwinder Thread Guide Rod Screw						
27	543805-003	Thread Unwinder Thread Guide Rod Screw Washer						
28	410589	Thread Unwinder Complete						
29	546893	Spool Holder (3)						
30	544213-001	Thread Unwinder Complete Screw (2)						
31	410486	Thread Unwinder Complete						
32	412665	Convertible Bed Plate Complete						
33	410246	Convertible Bed Plate Stud						
34	546623	Convertible Bed Plate Stud Retaining Ring (2)						
35	546623	Convertible Bed Plate Latch Retaining Ring						
37	541877	Convertible Bed Plate Latch Spring						
38	541874-451	Convertible Bed Plate Latch						
39	544203-001	Convertible Bed Plate Stud Screw						
40	412665	Convertible Bed Plate Complete						
41	412682	Cylinder Cover Spring						
42	412687	Cylinder Cover Spring Clamping Screw						
43	412706	Cylinder Cover Complete						
44	410208	Machine Base Cushion (4)						
45	543805-004	Machine Base Cushion Screw Washer (4)						
46	544218-001	Machine Base Cushion Screw (4)						
47	544214-005	Machine Base Screw (5)						
48	410206	Machine Base						
49	410235-015	Looper Cover Complete (for 12A)						



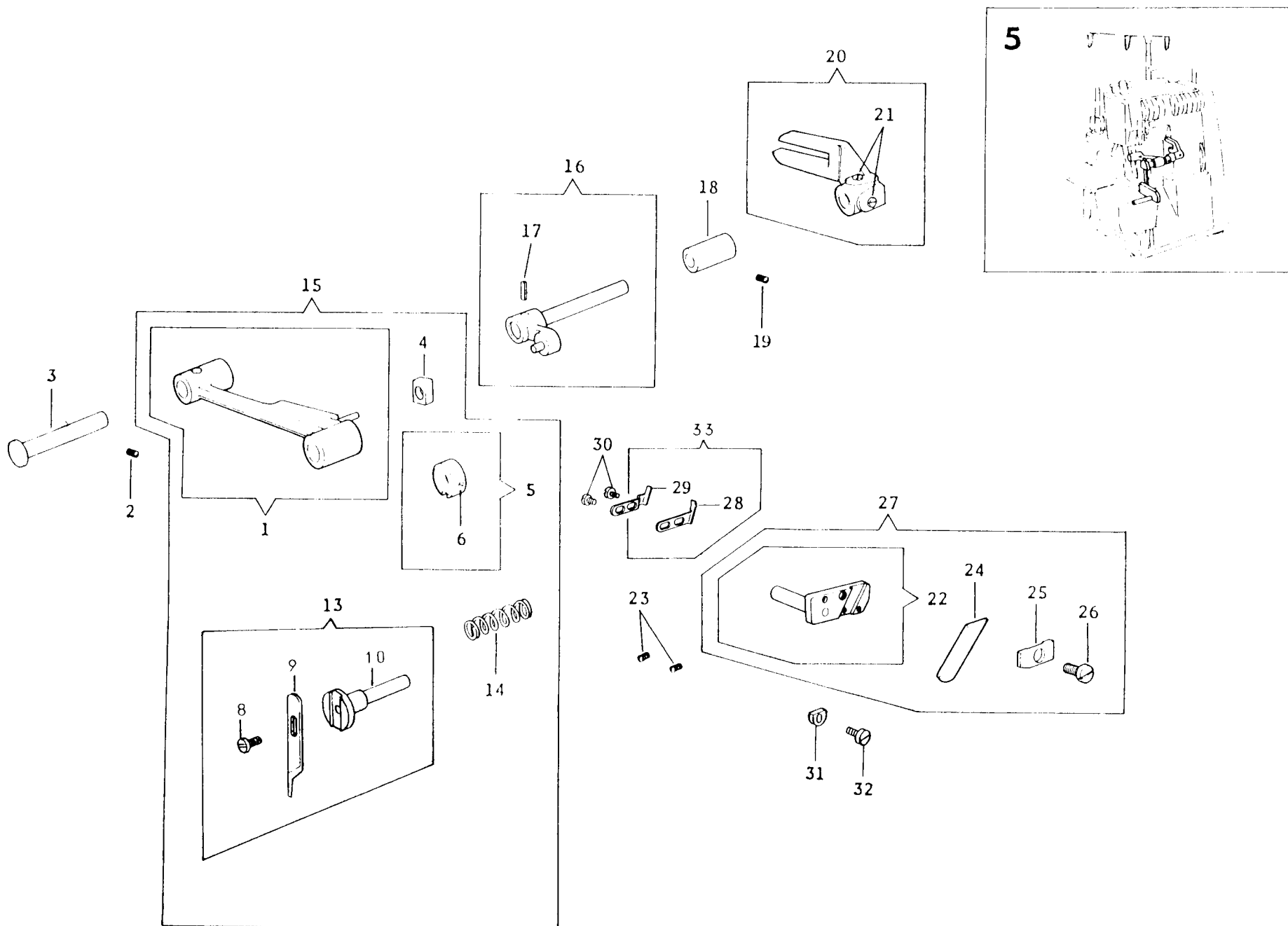
PART NO.	DESCRIPTION	PART NO.	DESCRIPTION
141026	Tension Dial Bracket (right) Comp. (for 12A/22A)	2741031-457	Tension Dial Bracket (left) Comp. (for 12A/22A)
141074	One Turn Tension Dial bracket (right) Comp. (for 52A)	27412671	One Turn Tension Dial Comp. (B) (left) (for 52A)
41026	Tension Disc (2)	28544212-001	Tension Dial Bracket (left) Set Screw (2)
5410477	Tension Disc Spring (for 12A/22A)	29410479-452	Tension Dial Comp. (A) (for 12A/22A)
5410630	Tension Disc Spring (for 52A)	29412669	One Turn Tension Dial Comp. (B) (for 52A)
4410238	Tension Disc Spring Nut (for 12A/22A)	30412697	Tension Dial Comp. Screw (2)
4410681	Tension Disc Spring Nut (for 52A)	31416466	Front Cover Thread Take-up
5410229-450	Tension Dial Comp. (for 12A/22A)	52412697	Front Cover Thread Take-up Set Screw
5410229-452	Tension Dial Comp. (for 52A)	33412715	Front Cover (body) Comp. (for 12A/22A)
6410230	Tension Dial Presser Spring	33412715-001	Front Cover (body) Comp. (for 52A)
7544265	Tension Dial Presser Spring Screw	34544712-073	Front Cover Screw (4)
8410229-450	Tension Dial Comp. (for 12A/22A)	35412708	Front Cover Comp. (for 12A/22A)
8410229-452	One Turn Tension Dial Comp. (L) (right) (for 52A)	55412668-001	Front Cover Comp. (for 52A)
9410229-450	Tension Dial Comp. Screw (2)	56412696	Washer (for 52A)
10410229-450	Tension Dial Bracket (left) Comp. (for 12A/22A)	57412696	Washer (for 52A)
10410229-452	One Turn Tension Dial Bracket (left) Comp. (for 52A)	58412696	Washer (for 52A)
1141026	Tension Disc (2)		
12410477	Tension Disc Spring (for 12A/22A)		
12410630	Tension Disc Spring (for 52A)		
13410238	Tension Disc Spring Nut (for 12A/22A)		
13410681	Tension Disc Spring Nut (for 52A)		
14410229-450	Tension Dial Comp. (for 12A/22A)		
14410229-452	Tension Dial Comp. (for 52A)		
15410230	Tension Dial Presser Spring		
16544265	Tension Dial Presser Spring Screw		
17544212-001	Tension Dial Bracket (left) Set Screw (2)		
18410479-450	Tension Dial Bracket (left) Comp. (for 12A/22A)		
18410672	One Turn Tension Dial Comp. (L) (left) (for 52A)		
19410479-452	Tension Dial Comp. (B) (for 12A/22A)		
19410672	One Turn Tension Dial Comp. (L) (for 52A)		
20410229-450	Tension Dial Bracket (left) Comp. (for 12A/22A)		
20410672	One Turn Tension Dial Bracket (left) Comp. (for 52A)		
2141026	Tension Disc (2)		
22410477	Tension Disc Spring (for 12A/22A)		
22410630	Tension Disc Spring (for 52A)		
23410238	Tension Disc Spring Nut (for 12A/22A)		
23410681	Tension Disc Spring Nut (for 52A)		
24410229-450	Tension Dial Comp. (for 12A/22A)		
24410229-452	Tension Dial Comp. (for 52A)		
25410230	Tension Dial Presser Spring		
26544265	Tension Dial Presser Spring Screw		

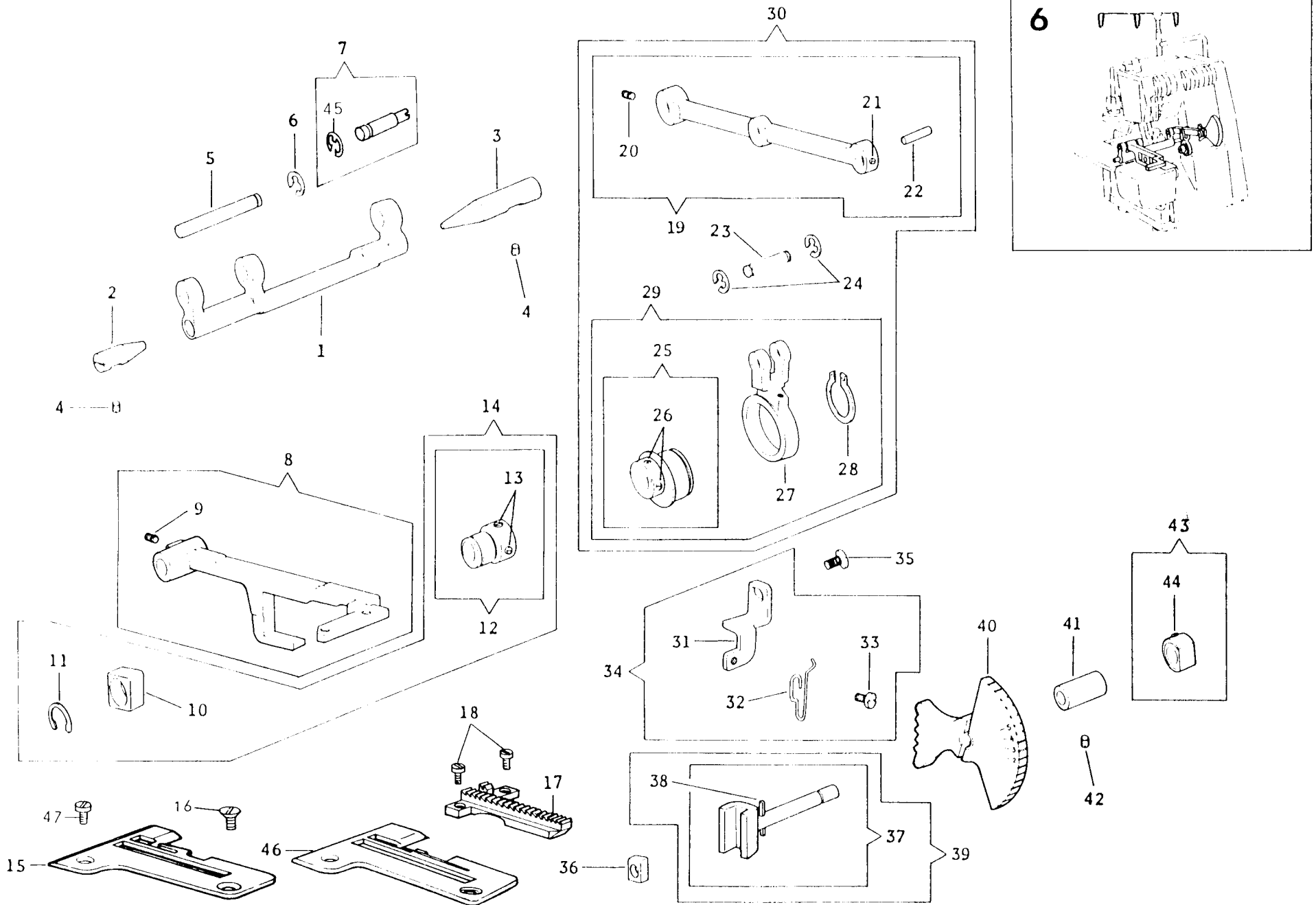


PART NO.	DESCRIPTION	PART NO.	DESCRIPTION
1 544302	Presser Regulating Thum Screw	49 410463	Needle Thread Take-up
2 410355	Presser Bar Spring	50 544211-051	Needle Thread Take-up Screw
3 544204-001	Presser Bar Guide Bracket Screw	51 410451	Needle Bar Connecting Link Comp.
4 410352	Presser Bar Guide Bracket Comp.		
5 410354	Presser Bar Lifter		
6 544201	Presser Bar Lifter Screw Stud		
7 410351	Presser Bar		
8 544063-451	Presser Foot Screw		
9 410350	Presser Foot Comp.		
10 410349	Thread Cutter		
11 410348	Presser Foot Spring		
12 544204	Presser Foot Screw Stud		
16 410322	Needle Bar Bushing (upper) Cap		
17 410325	Needle Bar Bushing (upper)		
18 544204-001	Needle Bar Bushing Set Screw (2)		
19 410320	Needle Bar		
20 549334	Needle Set Screw		
21 410321	Needle Bar Thread Guide		
22 410319	Needle Bar Comp.		
23 410324	Needle Bar Bushing (lower)		
24 B2055-01	Needle (16X71 #10)		
25 410304	Arm Shaft		
26 410329	Arm Shaft Bushing (2)		
27 544204-001	Arm Shaft Bushing Set Screw (2)		
28 543801-006	Arm Shaft Retaining Ring		
30 410325	Needle Bar Connecting Stud		
31 544044	Needle Bar Connecting Stud Screw		
32 410340	Needle Bar Connecting Link Pin		
33 543801-006	Needle Bar Connecting Link Pin Retaining Ring		
34 410327	Needle Bar Connecting Link		
35 410327	Needle Bar Crank Comp.		
36 544203-001	Needle Bar Crank Rod Pin Screw		
37 544204-001	Needle Bar Crank Screw (2)		
38 544203-001	Needle Bar Connecting Link Pin		
39 410338	Needle Bar Crank Rod Comp.		
40 544203-001	Needle Bar Crank Rod Slide Block Pin Screw		
41 410340	Needle Bar Crank Rod Slide Block Pin		
42 511050	Needle Bar Crank Rod Slide Block		
43 543801-006	Needle Bar Crank Rod Slide Block Pin Retaining Ring		
44 410337	Needle Bar Crank Rod Comp.		
45 410461	Needle Bar Eccentric Cam Comp.		
46 544204-002	Needle Bar Eccentric Cam Set Screw (2)		
47 410340	Needle Bar Crank Rod Pin		
48 543801-006	Needle Bar Crank Rod Pin Retaining Ring		

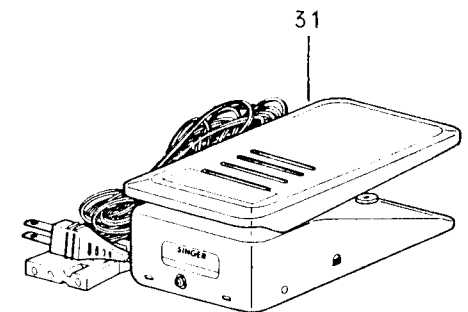
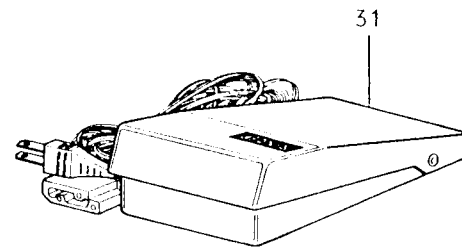
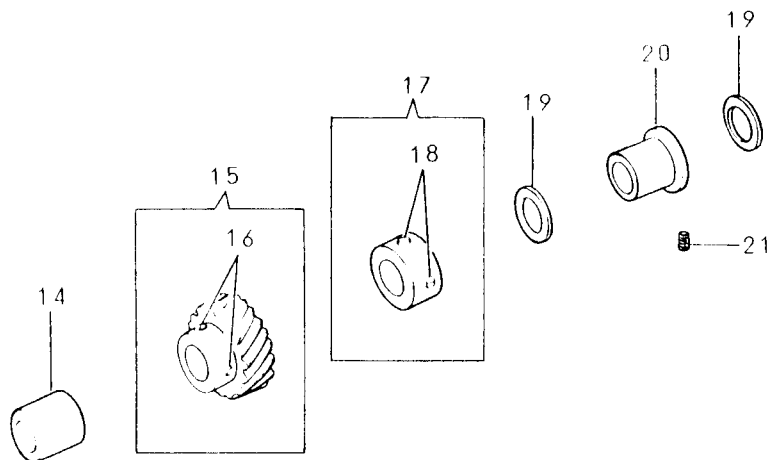
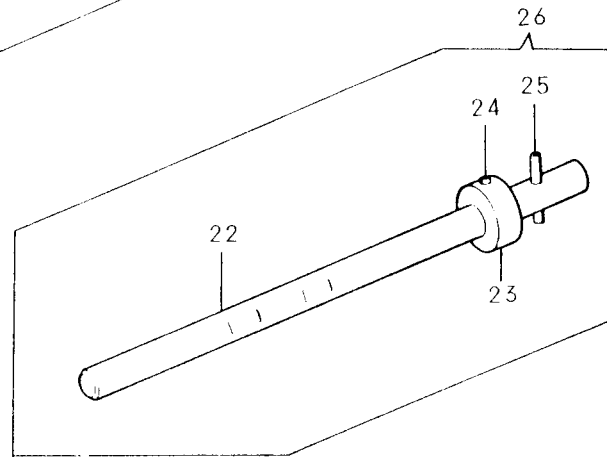
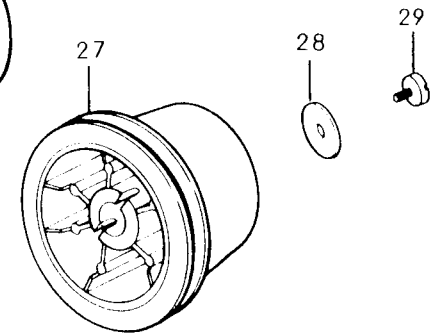
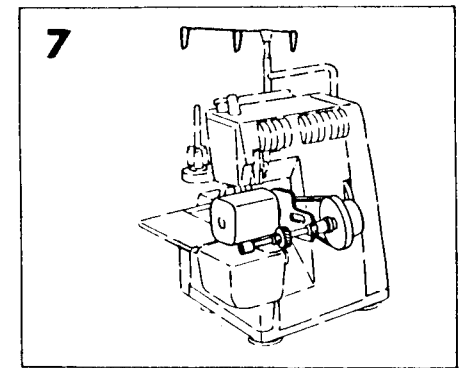
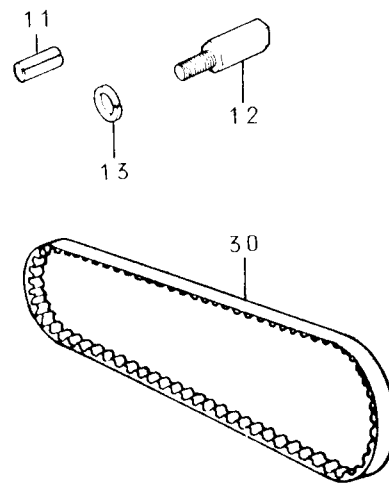
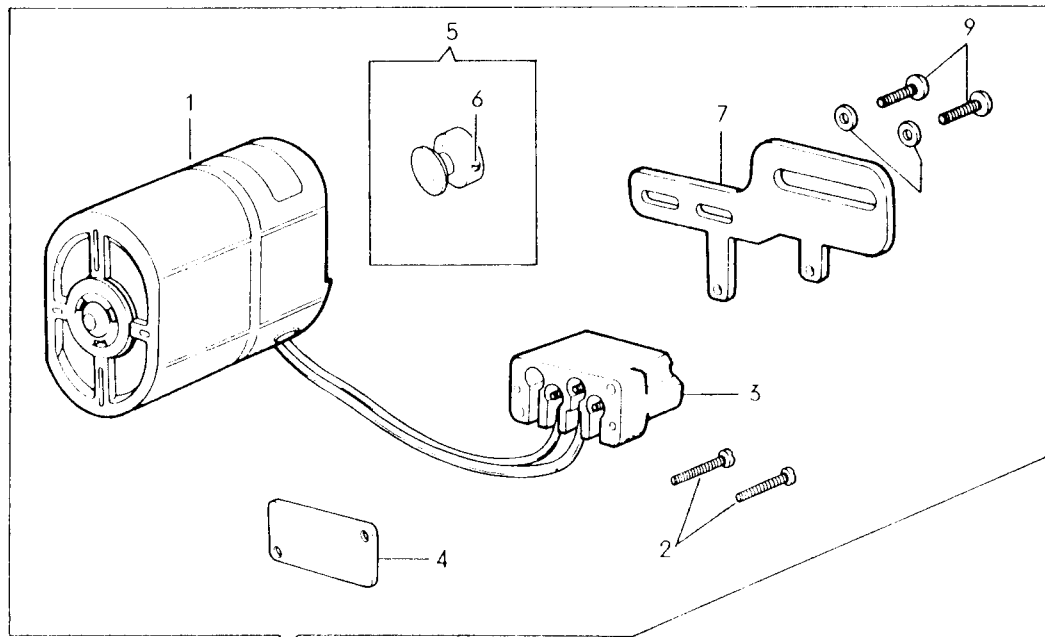


PART NO.	DESCRIPTION	PART NO.	DESCRIPTION
1 410455	Right Looper Thread Guide	39 544204-001	Looper Driving Gear Screw (2)
2 544212-001	Right Looper Thread Guide Set Screw	40 410394	Looper Driving Gear Comp.
3 410438	Left Looper Thread Guide	41 410511	Looper Driving Gear Shaft Bushing
4 544212-001	Left Looper Thread Guide Set Screw		
5 544203-001	Right Looper Retainer Driving Lever Stud Set Screw	42 410446	Left Looper Cam
6 544213-054	Right Looper Retainer Driving Lever Clamping Screw	43 544204-001	Left Looper Cam Set Screw (2)
7 410436	Right Looper Retainer Driving Lever Comp.	44 410443	Left Looper Cam Comp.
8 410435	Right Looper Retainer	45 410422	Left Looper Cam Rod Stud Oil Wick
9 410422	Right Looper Retainer Driving Lever Stud Oil Wick	46 410266	Left Looper Cam Rod Stud Comp.
10 410449	Right Looper Retainer Driving Lever Stud Comp.	47 544203-001	Left Looper Cam Rod Stud Set Screw
11 410429	Right Looper Retainer Guide Comp.	48 544213-054	Left Looper Shaft Lever Clamping Screw
12 544203-001	Right Looper Retainer Guide Collar Screw (2)	49 410447	Left looper Shaft Lever Comp.
13 410452	Right Looper Retainer Guide Collar Comp.	50 410445	Left Looper Cam Rod Comp.
14 410478	Right Looper Retainer Guide Bracket	51 410279	Left Looper Shaft Bushing (2)
15 410477	Right Looper Retainer Guide Bracket Comp.	52 544204-001	Left Looper Shaft Bushing Set Screw (2)
16 544213-002	Right Looper Retainer Guide Bracket Screw (2)	53 544203-001	Left Looper Shaft Collar Screw (4)
17 410454	Right Looper	54 410291	Left Looper Shaft Collar Comp. (2)
18 544413	Right Looper Screw	55 410487	Left Looper Shaft
19 410279	Right Looper Shaft Bushing (2)	56 544213-054	Left Looper Holder Clamping Screw
20 544204-001	Right Looper Shaft Bushing Set Screw (2)	57 410453	Left Looper Holder Comp.
21 544205-001	Right Looper Shaft Collar (4)	58 410452	Left looper
22 410291	Right Looper Shaft Collar Comp. (2)	59 544211-054	Left looper Screw
23 410272	Right Looper Shaft	60 410456	Left Looper Holder Thread Guide
24 544213-054	Right Looper Shaft Lever Screw	61 544212-001	Left Looper Holder Thread Guide Screw
25 544203-001	Right Looper Cam Rod Stud Set Screw	62 410472	Looper Thread Guide
26 410441	Right Looper Shaft Lever Comp.	63 410695	Looper Thread Guide (small)
27 410440	Right Looper Cam Rod	64 410478	Looper Thread Guide Plate
28 410422	Right Looper Cam Rod Stud Oil Wick	65 544212-001	Looper Thread Guide Screw (2)
29 410266	Right Looper Cam Rod Stud Comp.		
30 544204-001	Right Looper Cam Set Screw (2)		
31 410443	Right Looper Cam Comp.		
32 410439	Right Looper Cam Rod Comp.		
33 410290	Looper Driving Gear Shaft		
34 410280	Looper Driving Gear Shaft Bushing (short)		
35 544204-001	Looper Driving Gear Shaft Bushing Set Screw (2)		
36 542402	Looper Driving Gear Shaft Collar Thrust Washer (2)		
37 544203-001	Looper Driving Gear Shaft Collar Screw (4)		
38 410291	Looper Driving Gear Shaft Collar Comp. (2)		

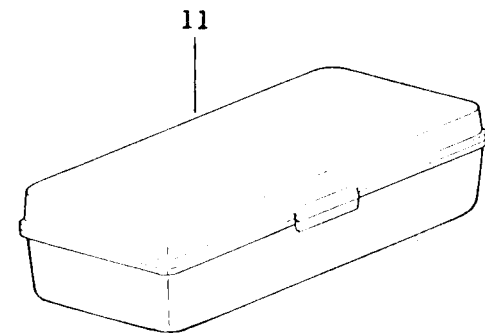
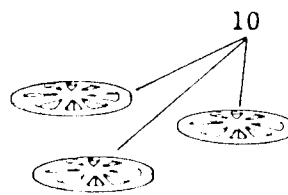
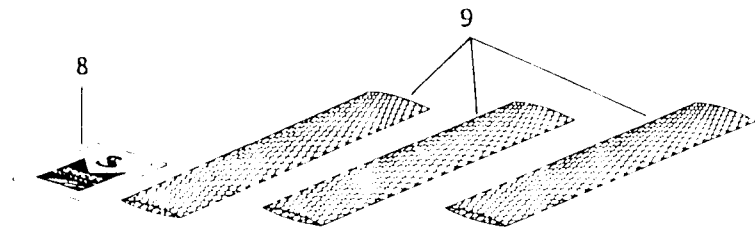
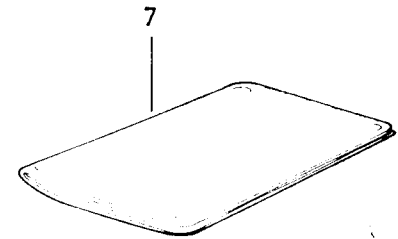
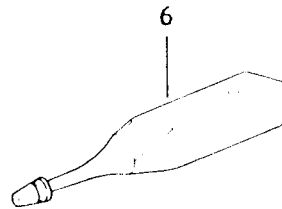
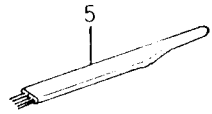
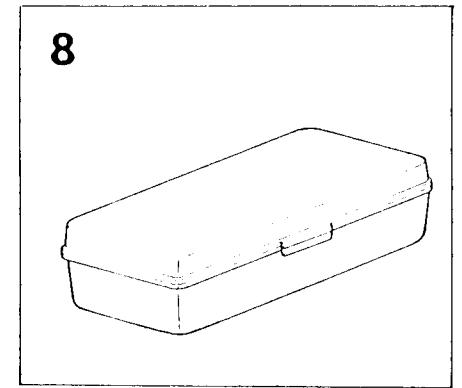
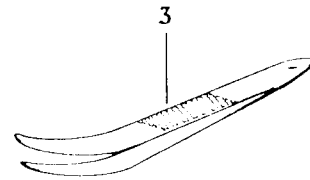
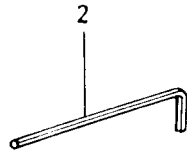
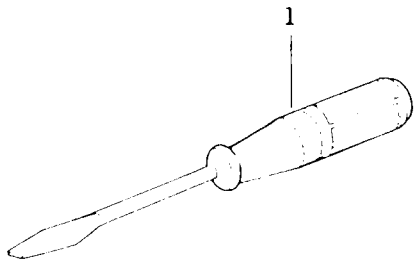




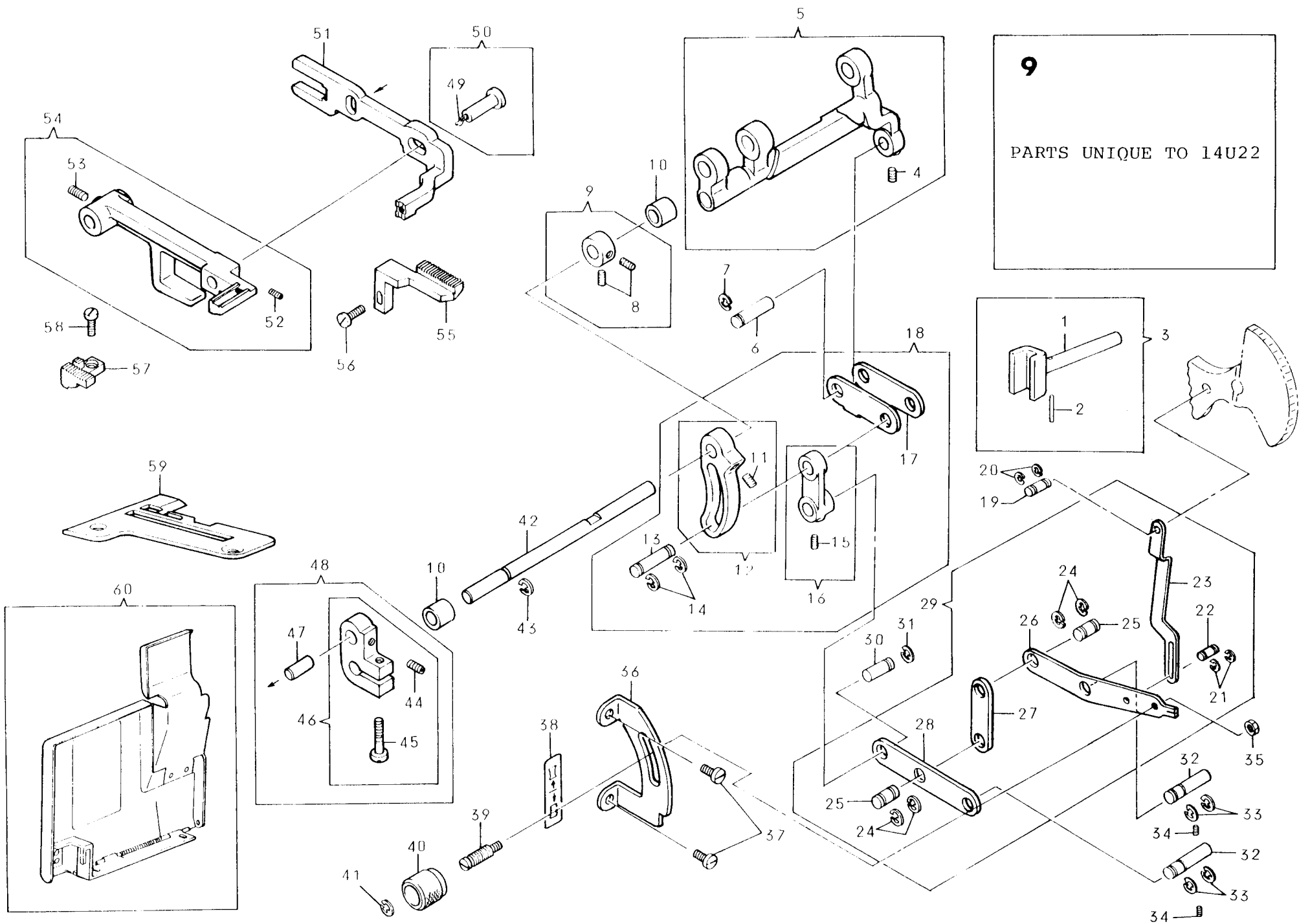
	PART NO.	DESCRIPTION		PART NO.	DESCRIPTION			
1	410378	Feed Crank (for 12A/52A)	A7	412694	Throat Plate Position Screw			
2	410380	Feed Crank Pin Center (small)						
3	410379	Feed Crank Pin Center (large)						
4	544204-001	Feed Crank Pin Center Screw (2)						
5	410381	Feed Crank Pin						
6	543801-006	Feed Crank Pin Retaining Ring						
7	410382	Feed Crank Eccentric Pin Comp.						
8	410399	Feed Bar Comp. (for 12A/52A)						
9	544204-001	Feed Crank Pin Screw (for 12A/52A)						
10	410387	Feed Lifting Cam Slide Block						
11	543818-	Feed Lifting Cam Slide Block Retaining Ring						
12	410385	Feed Lifting Cam Comp.						
13	544204-001	Feed Lifting Cam Set Screw (2)						
14	410384	Feed Lifting Cam Comp.						
15	412688	Throat Plate (for 12A/52A)						
16	504050-851	Throat Plate Screw						
17	410459	Feed Dog (for 12A/52A)						
18	544103	Feed Dog Screw (2) (for 12A/52A)						
19	410364	Feed Regulator Crank Rod Comp.						
20	544204-001	Feed Crank Eccentric Pin Screw						
21	544203-001	Feed Regulator Slide Block Stud Screw						
22	410373	Feed Regulator Slide Block Stud						
23	410363	Feed Crank Rod Pin						
24	543801-006	Feed Crank Rod Pin Retaining Ring						
25	410360	Feed Cam Comp.						
26	544203-001	Feed Cam Screw (2)						
27	410362	Feed Crank Rod						
28	543802-014	Feed Cam Retaining Ring						
29	410359	Feed Cam Comp.						
30	410393	Feed Regulator Crank Rod Comp.						
31	410376	Feed Regulator Dial Spring Bracket						
32	410377	Feed Regulator Dial Spring						
33	544212-001	Feed Regulator Dial Spring Screw						
34	410375	Feed Regulator Dial Spring Bracket Comp.						
35	544213-001	Feed Regulator Dial Spring Bracket Screw						
36	540254	Feed Regulator Slide Block						
37	410367	Feed Regulator Comp. (for 12A/52A)						
38	543807-005	Feed Regulator Stud Pin (for 12A/52A)						
39	410366	Feed Regulator Comp. (for 12A/52A)						
40	412615-001	Feed Regulator Dial						
41	410370	Feed Regulator Stud Bushing						
42	544204-001	Feed Regulator Stud Bushing Set Screw						
43	410409	Feed Regulator Stud Collar Comp.						
44	504007	Feed Regulator Stud Collar Screw						
45	543801-007	Feed Crank Eccentric Pin Retaining Ring						
46	412689	Throat Plate Comp. for Rolled Hem (for 52A)						



	PART NO.	DESCRIPTION				
1						
2						
3						
4						
5						
6						
7						
8						
9						
10	411645-000	Motor Comp. (for 12A/22A)				
10	419057-001	Motor Comp. (for 52A) (for UL)				
10	419114-001	Motor Comp. (for 52A) (for UL/CSA)				
11	543811-001	Motor Bracket Guide Pin				
12	544259	Motor Bracket Clamping Screw				
13	543805-005	Motor Bracket Clamping Screw Washer				
14	410252	Rotating Shaft Bushing (left)				
15	410260	Rotating Shaft Gear				
16	544204-001	Rotating Shaft Gear Set Screw (2)				
17	410470	Rotating Shaft Collar Comp.				
18	544204-001	Rotating Shaft Collar Set Screw (2)				
19	408730	Rotating Shaft Thrust Washer (2)				
20	410253	Rotating Shaft Bushing (right)				
21	544204-001	Rotating Shaft Bushing (right) Set Screw				
22	410257	Rotating Shaft				
23	410469	Rotating Shaft Collar (Fixed)				
24	543808-004	Rotating Shaft Collar Positioning Pin				
25	543809-004	Rotating Shaft Spring Pin				
26	410256	Rotating Shaft Comp.				
27	410268-001	Pulley				
28	410400	Pulley Set Screw Washer				
29	544273	Pulley Set Screw				
30	412721	Motor Belt				
31	411646-000	Controller Comp. (for 12A/22A)				
31	419058	Controller Comp. (for 52A) (for UL)				
31	419115-001	Controller Comp. (for 52A) (for UL/CSA)				



	PART NO.	DESCRIPTION					
1	541513	Driver (medium)					
2	543066	Hex-head Wrench					
3	543162	Tweezers					
4	410295	Knife (stationary)					
5	546358	Brush					
6	541574	Oiler					
7	543158	Machine Cover					
8	N2053-01	Needle (16X71 #10) (2)					
8	N2053-01	Needle (16X71 #14) (3)					
9	543131	Thread Unwinder Spool Net (3)					
10	546894	Thread Unwinder Spool Cap (3)					
11	543150-002	Accessory Box					



PART NO.	DESCRIPTION	PART NO.	DESCRIPTION
1 410367-451	Feed Regulator Comp.	35 541165-003	Differential Feed Knob Screw Nut
2 543807-005	Feed Regulator Stud Pin	36 412645	Differential Feed Adjusting Lever Guide Plate
3 412617	Feed Regulator Comp.	37 544212-001	Differential Feed Adjusting Lever Guide Plate Screw (2)
4 544204-001	Differential Feed Crank Stud Screw	38 412655-001	Differential Feed Sticker
5 412618	Differential Feed Crank Comp.	39 544489	Differential Feed Knob Screw
6 412620	Differential Feed Crank Stud	40 541459	Differential Feed Knob
7 543801-006	Differential Feed Crank Stud Retaining Ring	41 543801-003	Differential Feed Knob Screw Retaining Ring
8 544203-001	Differential Feed Shaft Collar Screw(2)	42 412608	Differential Feed Shaft
9 412629	Differential Feed Shaft Collar Comp.	43 543801-001	Differential Feed Shaft Retaining Ring
10 410324	Differential Feed Shaht Bushing (2)	44 544203-001	Auxiliary Feed Bar Driving Pin Screw
11 544204-001	Differential Feed Adjusting Arm Screw	45 544212-055	Differential Feed Arm Clamping Screw
12 412623	Differential Feed Adjusting Arm Comp.	46 412632	Differential Feed Arm Comp.
13 412627	Differential Feed Crank Rod Stud	47 412634	Auxiliary Feed Bar Driving Pin
14 543801-006	Differential Feed Crank Rod Stud Retaining Ring (2)	48 412631	Differential Feed Arm Comp.
15 544203-001	Differential Feed Adjusting Lever Arm Pin Screw	49 410421	Wick
16 412625	Differential Feed Adjusting Lever Arm Comp.	50 410266	Auxiliary Feed Bar Guide Pin Comp.
17 412622	Differential Feed Crank Rod	51 412648	Auxiliary Feed Bar
18 412621	Differential Feed Crank Rod Comp.	52 544203-001	Auxiliary Feed Bar Guide Pin Screw
19 412643	Differential Feed Safety Plate Stud (Upper)	53 544204-001	Feed Crank Pin Screw
20 543801-002	Differential Feed Safety Plate Stud Retaining Ring (2)	54 412646	Main Feed Bar Comp.
21 543801-002	Differential Feed Safety Plate Stud Retaining Ring (2)	55 412650	Auxiliary Feed Dog
22 412642	Differential Feed Safety Plate Stud (Lower)	56 544490	Auxiliary Feed Dog Screw
23 412641	Differential Feed Safety Plate	57 412642	Main Feed Dog
24 543801-006	Differential Feed Adjusting Lever Pin Retaining Ring (4)	58 544103	Main Feed Dog Screw
25 412638	Differential Feed Adjusting Lever Pin(2)	59 412691	Throat Plate
26 412640	Differential Feed Adjusting Lever (Upper)	60 410235-013	Looper Cover Comp.
27 412639	Differential Feed Adjusting Lever Link		
28 412637	Differential Feed Adjusting Lever (Lower)		
29 412636	Differential Feed Adjusting Lever Comp.		
30 412635	Differential Feed Adjusting Lever Arm Pin		
31 543801-006	Differential Feed Adjusting Lever Arm Pin Retaining Ring		
32 412644	Differential Feed Adjusting Lever Stud (2)		
33 543801-006	Differential Feed Adjusting Lever Stud Retaining Ring (4)		
34 544203-001	Differential Feed Adjusting Lever Stud Screw (2)		