

ILLUSTRATED PART LIST

SINGER®

OVERLOCK MACHINE

14SH 744/14CG 744

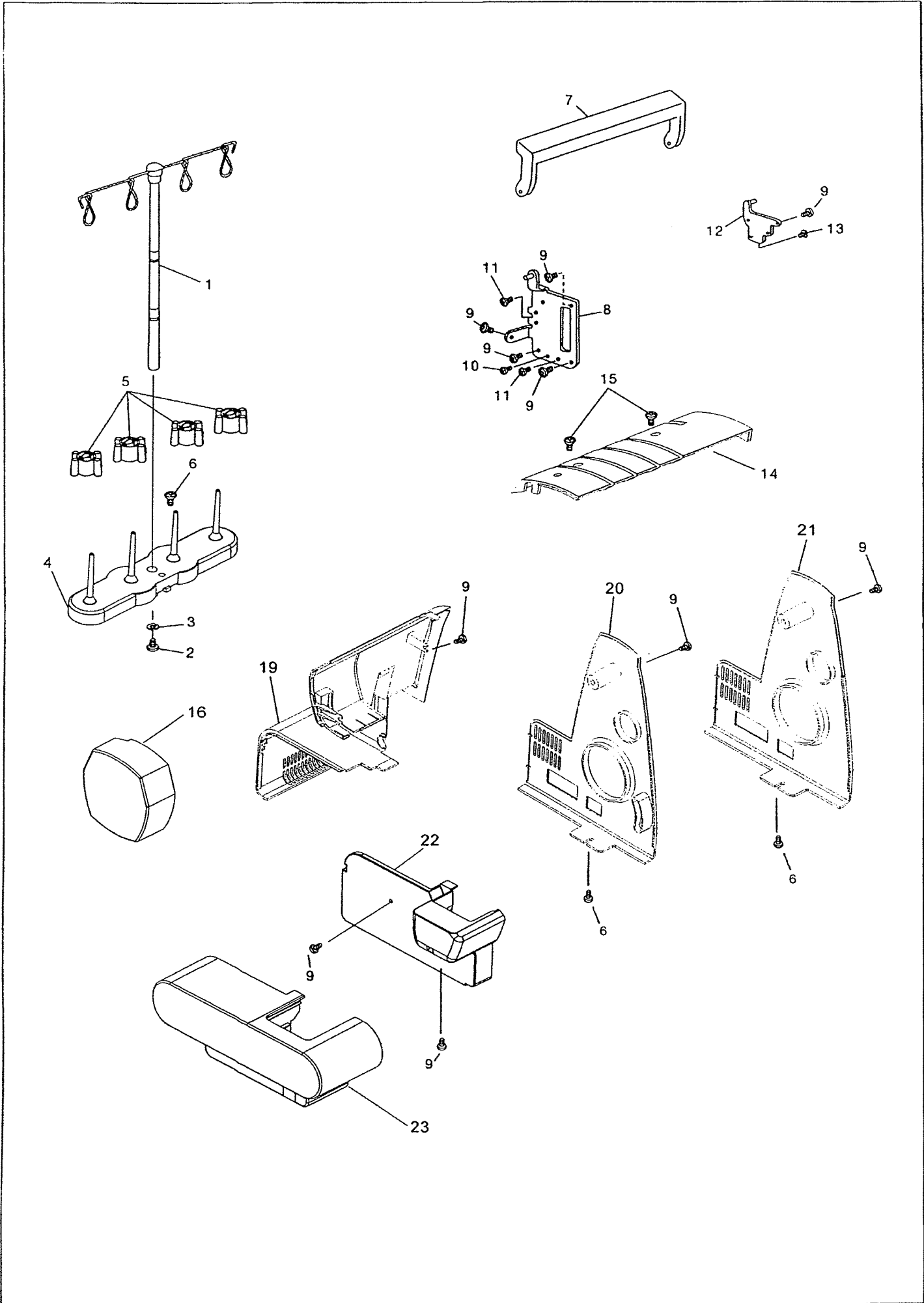
14SH 754/14CG 754

® registered trademark of The Singer Company Limited
Copyright©2005 Singer(Shanghai) Sewing Machine Co., Ltd.
All Rights Reserved Throughout The World

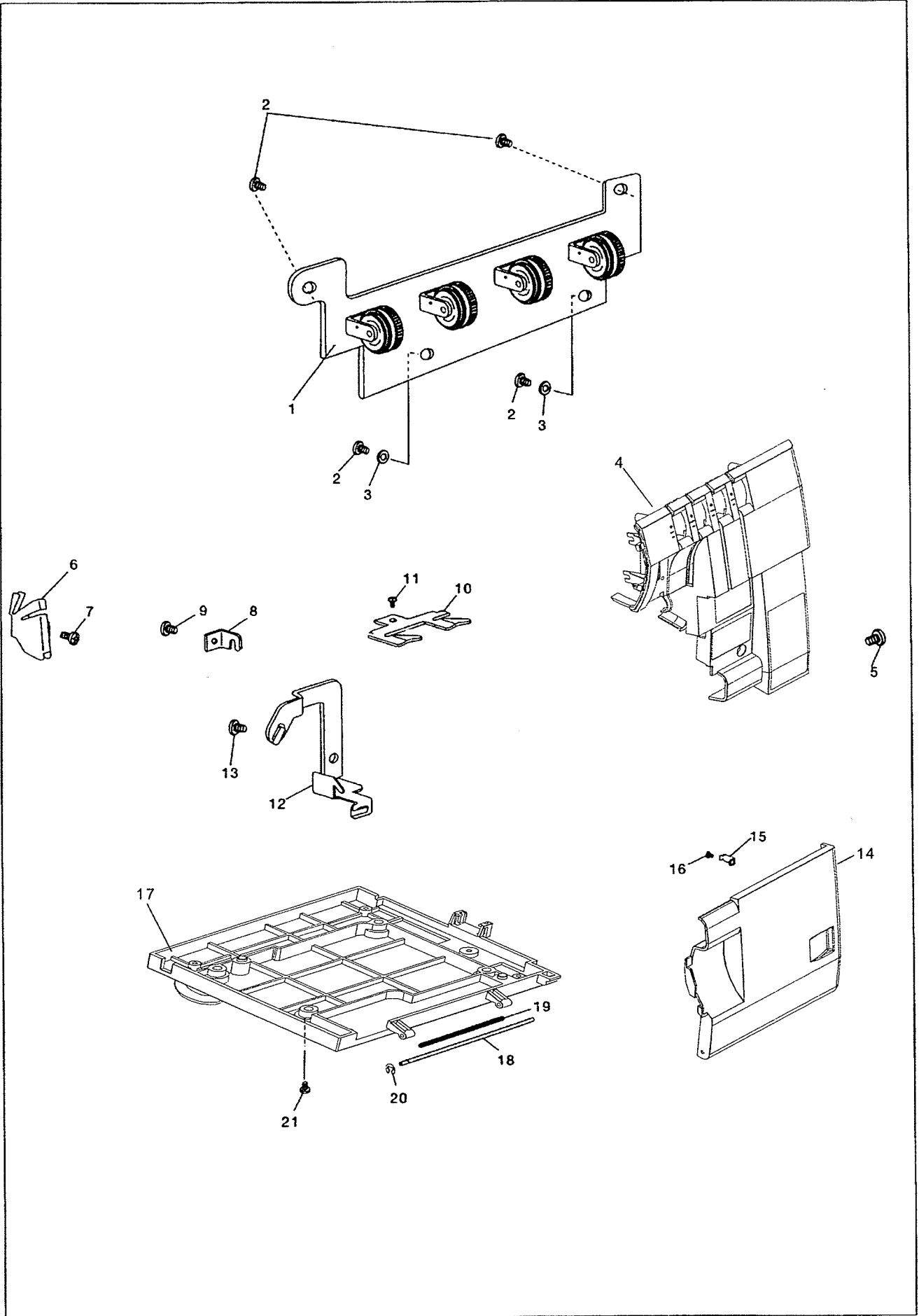
14SH/CG 744/754 High-Mortality Parts List

updated 2005/5/10				
Anticipated No. of				
Parts Required on				
100 M/Cs Over 3 yrs				
No.	Part No.	Description	14SH/CG 744	14SH/CG 754
1	281481	Needle Guard (Back) (for Overedge Needle)	5	5
2	550346	Thread Unwinder Thread Guide Rod	5	5
3	550406	Right Looper Thread Guide	5	5
4	550410	Left Looper Holder Thread Guide (for 4 Thread)	5	5
5	556149	Needle Guard Bracket	5	5
6	364290-900	Pulley	5	5
7	130626-900	Pulley cover	10	10
8	412697	Front Cover Thread Guide Bracket Screw	10	10
9	504063-451	Presser Foot Screw	10	10
10	542402	Right Looper Shaft Bushing Thrust Washer	10	10
11	543804-003	Auxiliary Feed Dog Screw Washer	10	10
12	543805-003	Thread Unwinder Thread Guide Rod Screw Washer	10	10
13	543805-005	Motor Bracket Screw Washer	10	10
14	543848	Pulley Set Screw Washer	10	10
15	544212-072	Top Cover Screw	10	10
16	550304	Presser Bar Oil Felt	5	5
17	557725	Timing Belt	20	20
18	546893	Spool Holder	20	20
19	364283-901	Light Cover with painting	5	5
20	410326-900	Needle Bar Connecting Stud	5	5
21	544044	Needle Bar Connecting Stud screw	5	5
22	369215-001	Lamp (for 220-240V, 15W, Edison Type)	20	20
23	374573	Needle Set Screw	10	10
24	550370-391	Presser Regulating Thumb Screw Comp.	5	5
25	550375-452	Presser Foot Comp.	5	5
26	550443-452	Throat Plate (for 4 Thread)	5	10
27	550483	Feed Dog	10	—
28	550499	Main Feed Dog	—	10
29	550502	Auxiliary Feed Dog	—	10
30	556199	Needle Clamp (Body) Comp. (for 4 Thread)	5	5
31	194120-019	Lamp (for 120V, 15W, Bayonet type)	20	20
32	364291-900	Handle	5	5
33	281485	Feed Regulator Lever Spring	5	5
34	281487	Front Cover Thread Guide (for 4 Thread)	5	5
35	281488	Striker (for 4 Thread)	5	5
36	194120-020	Lamp (for 220-240V, 15W, Bayonet Type)	20	20
37	364297-001	Controller Comp. (for 230V) (Plug C-Type)	10	10
38	364297-002	Controller Comp. (for 230V) (Plug BF-Type)	10	10
39	364297-003	Controller Comp. (for 220-250V) (Plug S-Type)	10	10
40	369434-003	Controller Comp. (for 100-120V) (Plug A-Type)	10	10
41	369434-013	Controller Comp. (for 127V) (Plug C-Type)	10	10
42	374102	Needle Clamp (Body) Screw	10	10
43	374392	Needle Guard (Back) (for Overedge Needle) Adjusting Screw	10	10
44	374392-002	Needle Guard (Front) (for Overedge Needle) Adjusting Screw	10	10
45	376844	Needle Bar	5	5

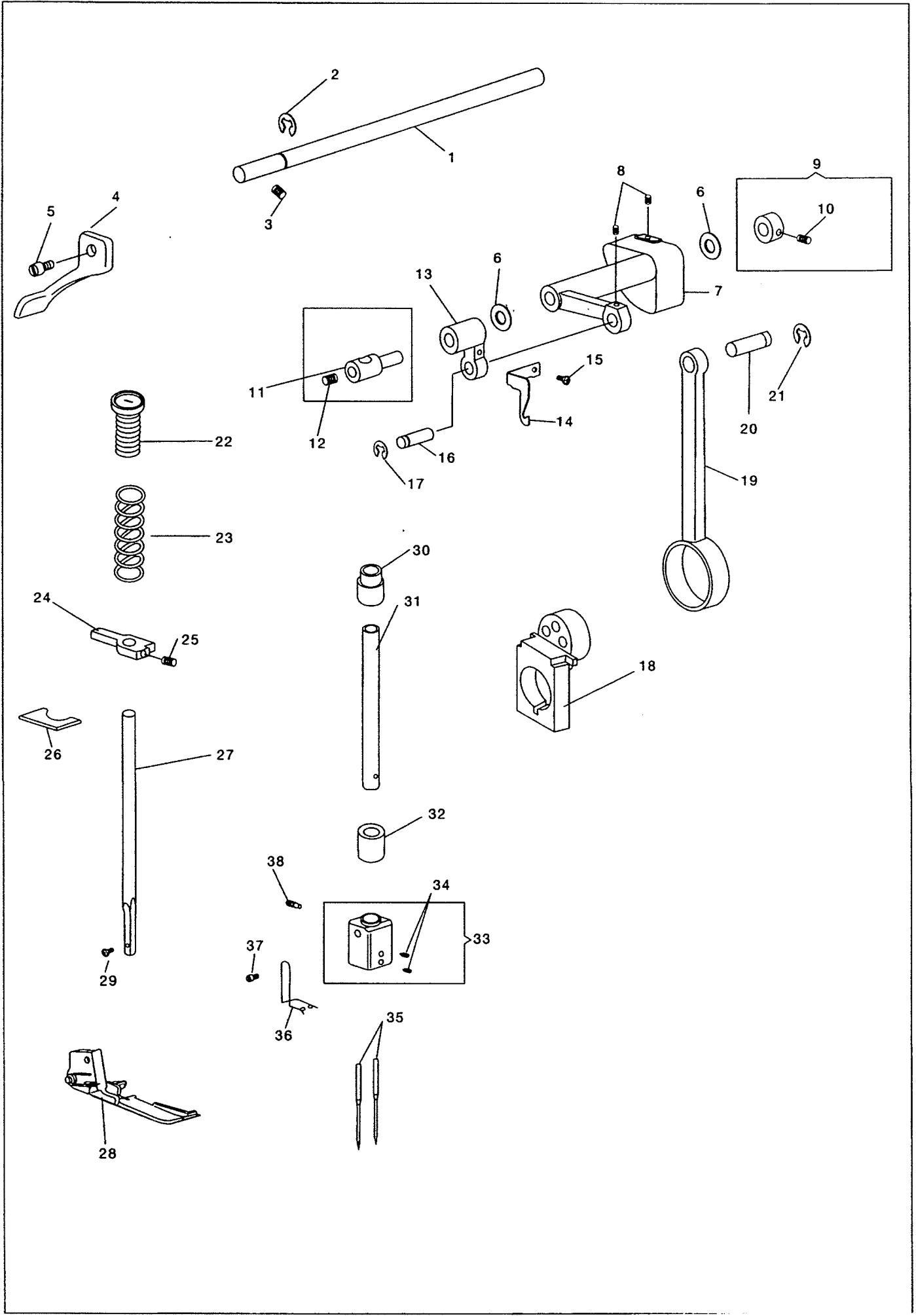
46	376848	Needle Clamp Thread Guide	5	10
47	409213	Feed Dial Wave Washer	10	10
48	410307	Knife (Movable) Holder Spring	5	5
49	410355	Presser Bar Spring	5	5
50	410351	Presser Bar	5	5
51	410429	Right Looper Retainer Guide	5	5
52	550568	Right Looper	20	20
53	550547	Spreader	20	20
54	410435	Right Looper Retainer	5	5
55	412531	Front Cover Thread Guide (Small)	5	5
56	412585	Knife (Movable)	20	20
57	412586	Knife (Movable) Holder	5	5
58	412697-003	Front Cover Thread Guide (Small) Screw	10	10
59	414749-003	Right Looper Screw	10	10
60	543801-002	Looper Cover Hinge Pin Retaining Ring	10	10
61	543801-006	Retaining Ring	50	50
62	543801-007	Arm Shaft Retaining Ring	10	10
63	544207-011	Screw	50	50
64	544211-001	Screw	100	100
65	544211-002	Lamp Holder Comp. Screw	10	10
66	544211-051	Striker Screw	10	10
67	544211-052	Left Looper Screw	10	10
68	544211-059	Needle Clamp Thread Guide Set Screw	10	10
69	544212-001	Screw	50	50
70	544212-002	Lamp Holder Bracket Screw	10	10
71	544212-003	Auxiliary Feed Dog Screw	10	10
72	544213-002	Right Looper Retainer Guide Bracket Screw	10	10
73	544213-005	Machine Base Screw	10	10
74	544270-001	Screw	50	50
75	544407	Knife (Movable) Screw	10	10
76	544499-001	Motor Bracket Screw	10	10
77	550396	Right Looper Retainer Guide Collar Comp.	5	5
78	550411	Left Looper	20	20
79	550432	Needle Guard (Front) (for Overedge Needle)	5	5
80	550449	Knife (Stationary)	50	50
81	550450	Seam Width Finger	10	10
82	550509	Main Feed Bar Spring	—	5
83	550553	Throat Plate Position Screw	10	10
84	550587	Right Looper Retainer Driving Lever Comp.	5	5
85	364285-901	Top Cover Comp.	5	5
86	364288-900	Looper Cover	5	5
87	556169	Looper Cover Hinge Pin Spring	5	5
88	364284-900	Rear Cover	5	5
89	364282-001	Pulley Cover	5	—
90	364282-002	Pulley Cover (for Differential Feed)	—	5
91	557703	Looper Cam Rod Comp.	5	5
92	557717-401	Feed Dial (Graphic)	5	5
93	364287-901	Front Cover comp. (Graphic)	5	5
94	364298-001	One Turn Tension Dial Comp. (Left Needle Thread)	5	5
95	364298-002	One Turn Tension Dial Comp. (Right Needle Thread)	5	5
96	364298-003	One Turn Tension Dial Comp. (Right Looper Thread)	5	5
97	364298-004	One Turn Tension Dial Comp. (Left Looper Thread)	5	5



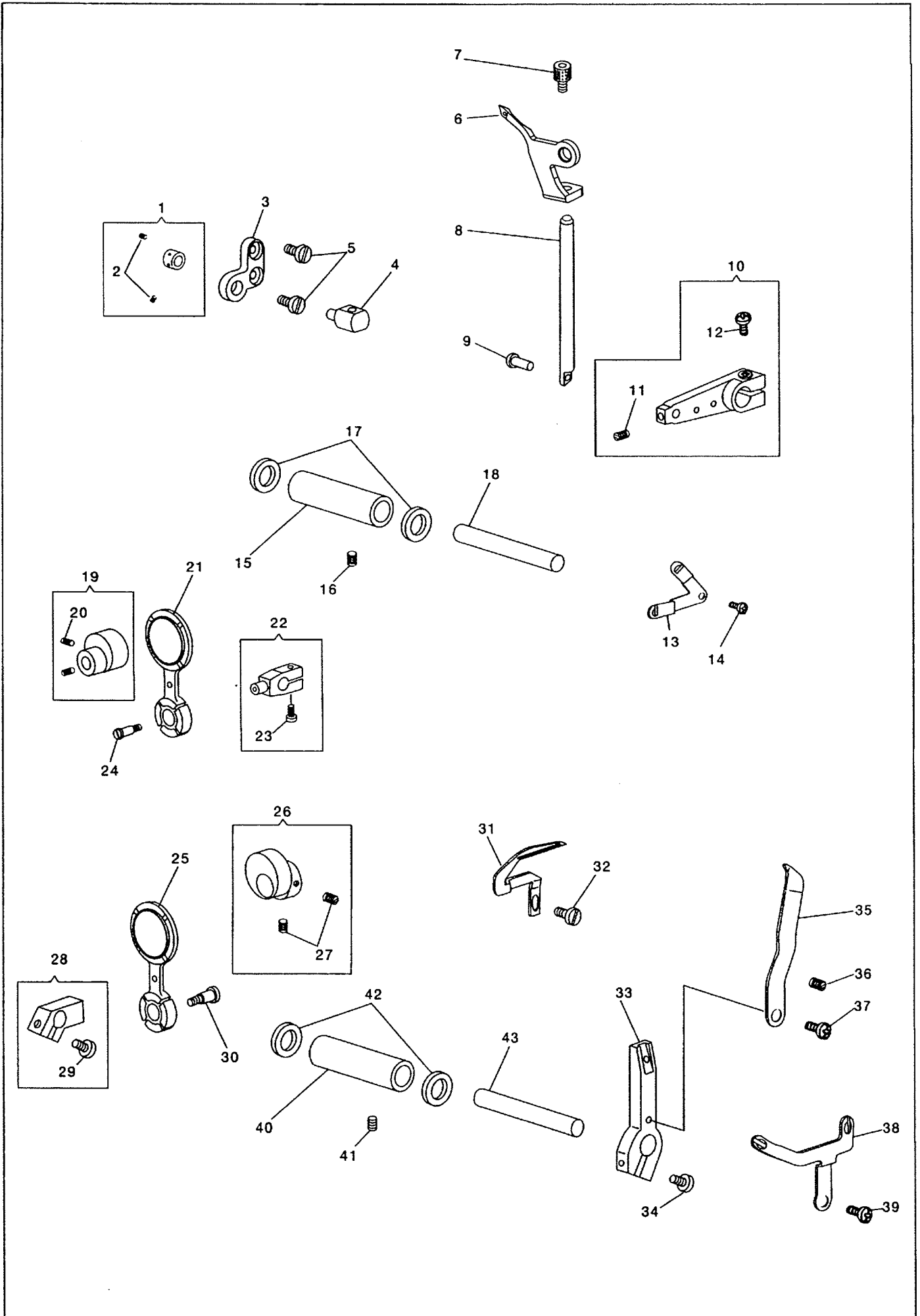
NO.	PART NO.	744	754	QTY.	DESCRIPTION
1	550346-001	*	*	1	THREAD UNWINDER THREAD GUIDE ROD COMP.
2	544212-003	*	*	1	THREAD UNWINDER THREAD GUIDE ROD SCREW
3	543805-003	*	*	1	THREAD UNWINDER THREAD GUIDE ROD SCREW WASHER
4	364286-900	*	*	1	THREAD UNWINDER
5	546893	*	*	4	SPOOL HOLDER
6	412697-002	*	*	2	THREAD UNWINDER(COMP.)SCREW
7	364291-900	*	*	1	HANDLE
8	556159	*	*	1	HANDLE BRACKET(LEFT)COMP.
9	544270-001	*	*	11	SCREW
10	544211-002	*	*	1	PRESSER BAR OIL FELT SCREW
11	544212-001	*	*	2	SCREW
12	556156	*	*	1	HANDLE BRACKET (RIGHT) COMP.
13	544212-001	*	*	1	HANDLE BRACKET (RIGHT) COMP.SCREW
14	364285-901	*	*	1	TOP COVER COMP.
15	544212-072	*	*	2	TOP COVER SCREW
16	364283-901	*	*	1	LIGHT COVER COMP.
19	364284-900	*	*	1	REAR COVER
20	364282-001	*	-	1	PULLEY COVER
21	364282-002	-	*	1	PULLEY COVER (FOR DIFFERENTIAL FEED)
22	364281-900	*	*	1	CYLINDER COVER
23	364280-901	*	*	1	CLOTH PLATE COMP.



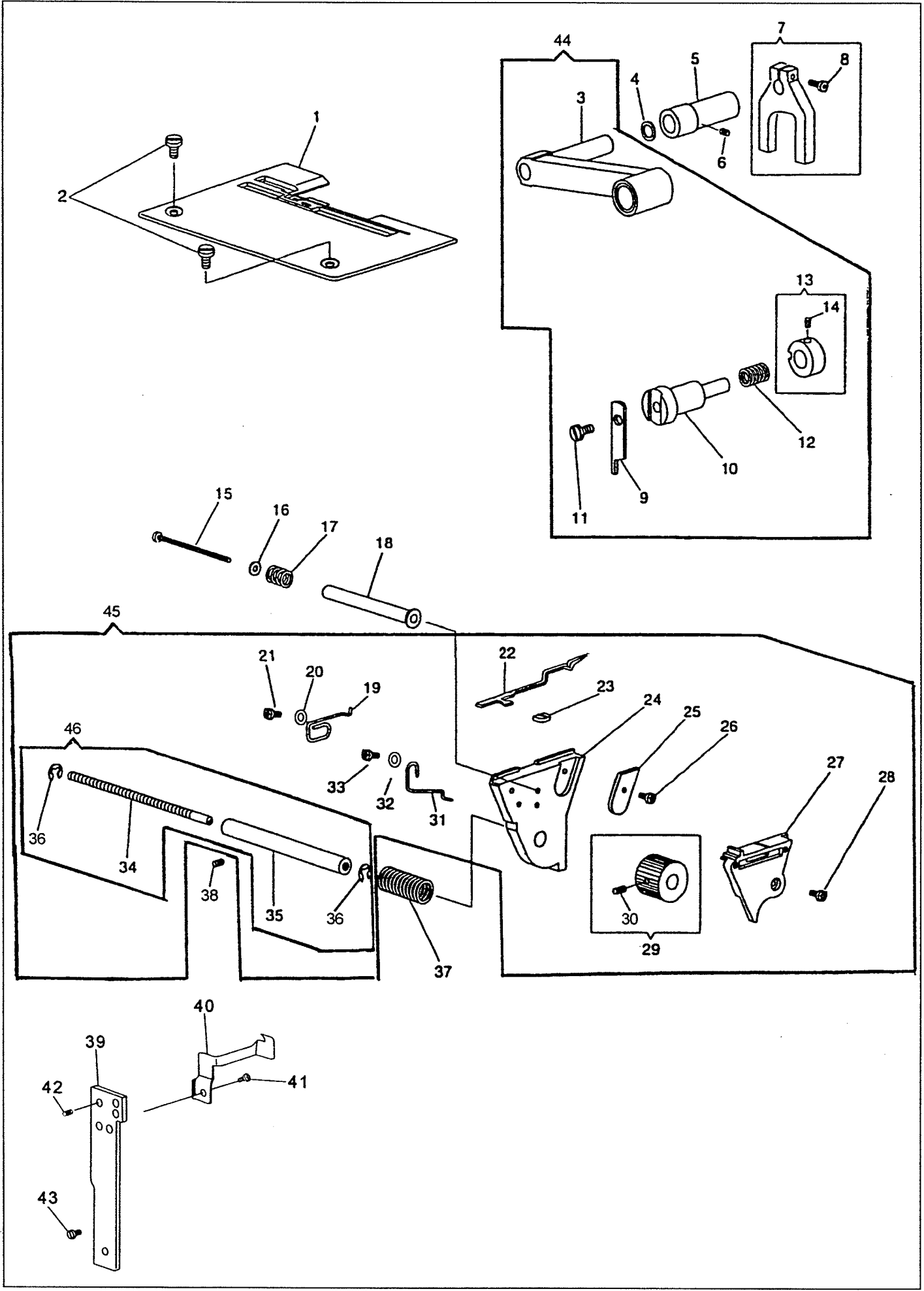
NO.	PART NO.	744	754	QTY.	DESCRIPTION
1	364298-000	*	*	1	ONE TURN TENSION DIAL COMP.
2	412697-002	*	*	4	ONE TURN TENSION DIAL COMP. SET SCREW
3	543804-003	*	*	2	ONE TURN TENSION DIAL COMP. SET SCREW WASHER
4	364287-901	*	*	1	FRONT COVER (GRAPHIC)
5	544270-001	*	*	1	FRONT COVER SCREW
6	281487	*	*	1	FRONT COVER THREAD GUIDE
7	412697	*	*	1	FRONT COVER THREAD GUIDE BRACKET SCREW
8	412531	*	*	1	FRONT COVER THREAD GUIDE (SMALL)
9	412697-003	*	*	1	FRONT COVER THREAD GUIDE (SMALL) SCREW
10	550352	*	*	1	FRONT COVER THREAD GUIDE (LOWER)
11	544211-002	*	*	1	FRONT COVER THREAD GUIDE (LOWER) SCREW
12	550412	*	*	1	LOOPER THREAD GUIDE
13	412697-003	*	*	1	LOOPER THREAD GUIDE SCREW
14	364288-900	*	-	1	LOOPER COVER
15	556165	*	*	1	LOOPER COVER HOOK
16	544248-003	*	*	1	LOOPER COVER HOOK SCREW
17	364289-901	*	*	1	MACHINE BASE COMP.
18	556168	*	*	1	LOOPER COVER HINGE PIN
19	556169	*	*	1	LOOPER COVER HINGE PIN SPRING
20	543801-002	*	*	1	LOOPER COVER HINGE PIN RETAINING RING
21	544213-005	*	*	4	MACHINE BASE SCREW



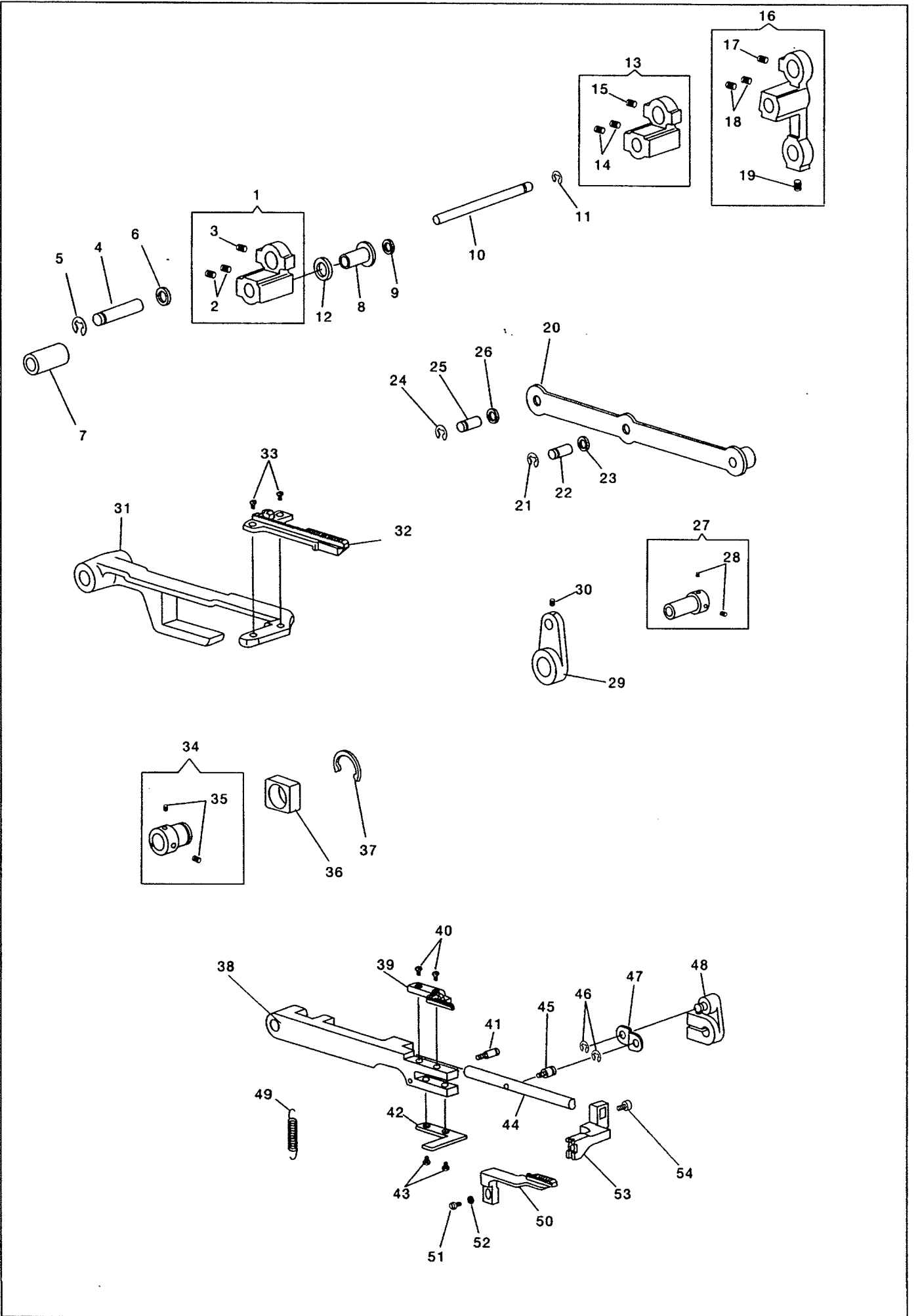
NO.	PART NO.	744	754	QTY.	DESCRIPTION
1	376814	*	*	1	ARM SHAFT
2	543801-007	*	*	1	ARM SHAFT RETAINING RING
3	544207-011	*	*	1	ARM SHAFT SET SCREW
4	556197-391	*	*	1	PRESSER BAR LIFTER
5	544441	*	*	1	PRESSER BAR LIFTER SCREW STUD
6	542402	*	*	2	THRUST WASHER
7	550405-900	*	*	1	NEEDLE BAR CRANK
8	544207-011	*	*	2	NEEDLE BAR CRANK ROD PIN SCREW
9	550393	*	*	1	ARM SHAFT COLLAR COMP.
10	544207-011	*	*	1	ARM SHAFT COLLAR SCREW
11	410326-900	*	*	1	NEEDLE BAR CONNECTING STUD
12	544044	*	*	1	NEEDLE BAR CONNECTING STUD SCREW
13	410327	*	*	1	NEEDLE BAR CONNECTING LINK
14	281488	*	*	1	STRIKER
15	544211-051	*	*	1	STRIKER SCREW
16	370270-900	*	*	1	NEEDLE BAR CONNECTING LINK PIN
17	543801-006	*	*	1	NEEDLE BAR CONNECTING LINK PIN RETAINING RING
18	556139	*	*	1	NEEDLE BAR ECC. KNIFE (MOVABLE) FORKED LEVER SLIDE BLOCK
19	557726	*	*	1	NEEDLE BAR CRANK ROD
20	370270-900	*	*	1	NEEDLE BAR CONNECTING LINK PIN
21	543801-006	*	*	1	NEEDLE BAR CONNECTING LINK PIN RETAINING RING
22	550370-391	*	*	1	PRESSER REGULATING THUMB COMP.
23	410355	*	*	1	PRESSER BAR SPRING
24	410353-900	*	*	1	PRESSER BAR GUIDE BRACKET
25	544204-001	*	*	1	PRESSER BAR GUIDE BRACKET SCREW
26	550304	*	*	1	PRESSER BAR OIL FELT
27	410351	*	*	1	PRESSER BAR
28	550375-452	*	*	1	PRESSER FOOT COMP (SNAP-ON TYPE)
29	504063-451	*	*	1	PRESSER FOOT SCREW
30	410323	*	*	1	NEEDLE BAR BUSHING (UPPER)
31	376844	*	*	1	NEEDLE BAR
32	410324	*	*	1	NEEDLE BAR BUSHING (LOWER)
33	556199	*	*	1	NEEDLE CLAMP (BODY) COMP.(FOR 4 THREAD)
34	374573	*	*	2	NEEDLE SET SCREW
35	N2022-90-14	*	*	2	NEEDLE(#14)
36	376848	*	*	1	NEEDLE CLAMP THREAD GUIDE
37	544211-059	*	*	1	NEEDLE CLAMP THREAD GUIDE SET SCREW
38	374102	*	*	1	NEEDLE CLAMP (BODY) SCREW



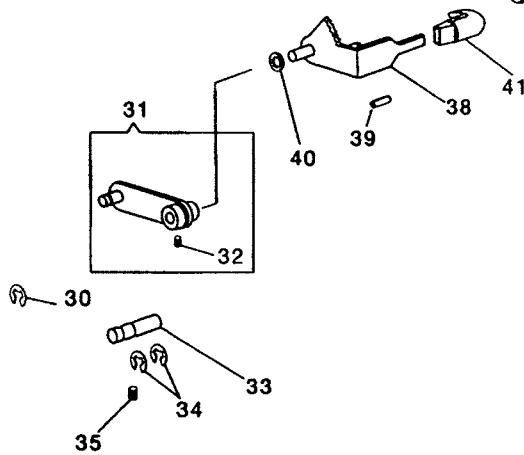
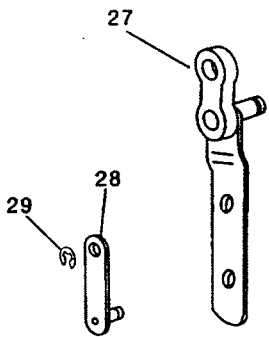
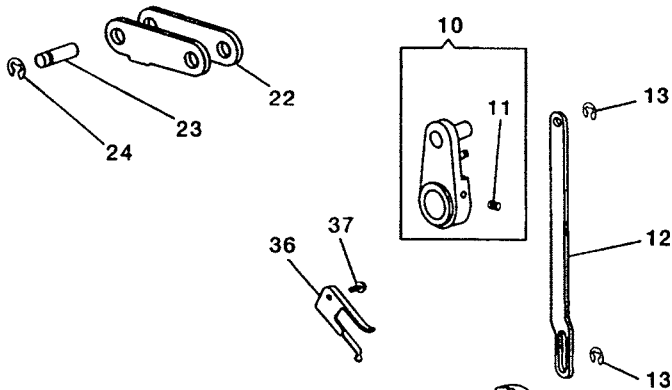
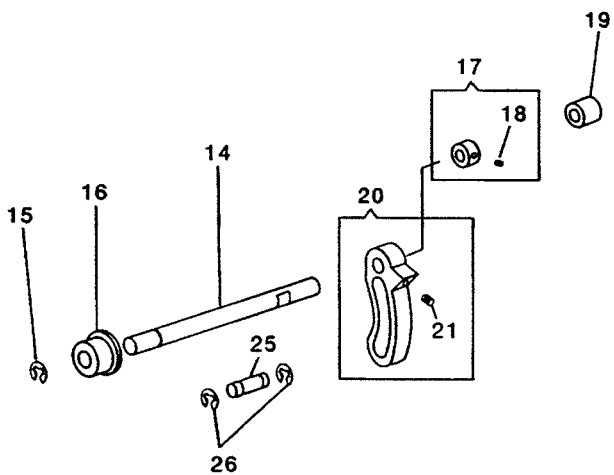
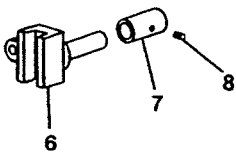
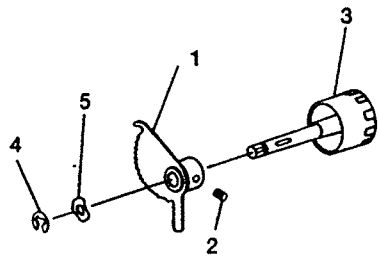
NO.	PART NO.	744	754	QTY.	DESCRIPTION
1	550396	*	*	1	RIGHT LOOPER RETAINER GUIDE COLLAR COMP.
2	544207-011	*	*	2	RIGHT LOOPER RETAINER GUIDE COLLAR SCREW
3	370281	*	*	1	RIGHT LOOPER RETAINER GUIDE BRACKET
4	410429	*	*	1	RIGHT LOOPER RETAINER GUIDE
5	544213-002	*	*	2	RIGHT LOOPER RETAINER GUIDE BRACKET SCREW
6	550568	*	*	1	RIGHT LOOPER
7	414749-003	*	*	1	RIGHT LOOPER SCREW
8	410435	*	*	1	RIGHT LOOPER RETAINER
9	370290	*	*	1	RIGHT LOOPER RETAINER DRIVING LEVER STUD
10	550587	*	*	1	RIGHT LOOPER RETAINER DRIVING LEVER COMP.
11	544207-011	*	*	1	RIGHT LOOPER RETAINER DRIVING LEVER STUD SCREW
12	544213-053	*	*	1	RIGHT LOOPER RETAINER DRIVING LEVER CLAMPING SCREW
13	550406	*	*	1	RIGHT LOOPER THREAD GUIDE
14	544212-001	*	*	1	RIGHT LOOPER THREAD GUIDE SCREW
15	376799	*	*	1	RIGHT LOOPER SHAFT BUSHING
16	544207-011	*	*	1	RIGHT LOOPER SHAFT BUSHING SCREW
17	542402	*	*	2	RIGHT LOOPER SHAFT BUSHING THRUST WASHER
18	376813	*	*	1	RIGHT LOOPER SHAFT
19	550477	*	*	1	RIGHT LOOPER CAM COMP
20	544207-011	*	*	2	RIGHT LOOPER CAM SCREW
21	557703	*	*	1	RIGHT LOOPER CAM ROD COMP.
22	412796	*	*	1	RIGHT LOOPER SHAFT LEVER COMP.
23	414750-001	*	*	1	RIGHT LOOPER SHAFT LEVER CLAMPING SCREW
24	374136	*	*	1	RIGHT LOOPER CAM ROD END SCREW STUD
25	557703	*	*	1	LEFT LOOPER CAM ROD COMP.
26	550477	*	*	1	LEFT LOOPER CAM COMP.
27	544207-011	*	*	2	LEFT LOOPER CAM SCREW
28	412798	*	*	1	LEFT LOOPER SHAFT LEVER COMP.
29	414750-001	*	*	1	LEFT LOOPER SHAFT LEVER CLAMPING SCREW
30	374136	*	*	1	LEFT LOOPER CAM ROD END SCREW STUD
31	550411	*	*	1	LEFT LOOPER
32	544211-052	*	*	1	LEFT LOOPER SCREW
33	376839-900	*	*	1	LEFT LOOPER HOLDER
34	414750-001	*	*	1	LEFT LOOPER HOLDER CLAMPING SCREW
35	281481	*	*	1	NEEDLE GUARD (BACK) (FOR OVEREDGE NEEDLE)
36	374392	*	*	1	NEEDLE GUARD (BACK)(FOR OVEREDGE NEEDLE) ADJUSTING SCREW
37	544212-001	*	*	1	NEEDLE GUARD (BACK) (FOR OVEREDGE NEEDLE) SCREW
38	550410	*	*	1	LEFT LOOPER HOLDER THREAD GUIDE
39	544212-001	*	*	1	LEFT LOOPER HOLDER THREAD SCREW
40	376798	*	*	1	LEFT LOOPER SHAFT BUSHING
41	544207-011	*	*	1	LEFT LOOPER SHAFT BUSHING SCREW
42	542402	*	*	2	RIGHT LOOPER SHAFT BUSHING THRUST WASHER
43	550407	*	*	1	RIGHT LOOPER SHAFT



NO.	PART NO.	744	754	QTY.	DESCRIPTION
1	550443-452	*	*	1	THROAT PLATE
2	550553	*	*	2	THROAT PLATE POSITION SCREW
3	550437-391	*	*	1	KNIFE (MOVABLE) LEVER COMP.
4	542402	*	*	1	KNIFE (MOVABLE) FORKED LEVER STUD BUSHING THRUST WASHER
5	550440	*	*	1	KNIFE (MOVABLE) FORKED LEVER STUD BUSHING
6	544207-011	*	*	1	KNIFE (MOVABLE) FORKED LEVER STUD BUSHING SCREW
7	550633	*	*	1	KNIFE (MOVABLE) FORKED LEVER COMP.
8	414750-004	*	*	1	KNIFE (MOVABLE) FORKED LEVER SCREW
9	412585	*	*	1	KNIFE (MOVABLE)
10	412586	*	*	1	KNIFE (MOVABLE) HOLDER
11	544407	*	*	1	KNIFE (MOVABLE) SCREW
12	410307	*	*	1	KNIFE (MOVABLE) HOLDER SPRING
13	550581	*	*	1	KNIFE (MOVABLE) HOLDER COLLAR COMP.
14	544207-011	*	*	1	KNIFE (MOVABLE) HOLDER COLLAR SCREW
15	414744-003	*	*	1	KNIFE (STATIONARY) HOLDER STUD SCREW
16	541217	*	*	1	KNIFE (STATIONARY) HOLDER STUD SCREW WASHER
17	412774	*	*	1	KNIFE (STATIONARY) HOLDER STUD SPRING
18	550457	*	*	1	KNIFE (STATIONARY) HOLDER STUD
19	550452	*	*	1	SEAM WIDTH FINGER SPRING
20	543803-002	*	*	1	SEAM WIDTH FINGER SPRING WASHER
21	544211-002	*	*	1	SEAM WIDTH FINGER SPRING SCREW
22	550450	*	*	1	SEAM WIDTH FINGER
23	550453-391	*	*	1	SEAM WIDTH FINGER KNOB
24	550448	*	*	1	KNIFE (STATIONARY) HOLDER
25	550449	*	*	1	KNIFE (STATIONARY)
26	544211-051	*	*	1	KNIFE (STATIONARY) SCREW
27	550451-391	*	*	1	SEAM WIDTH FINGER SUPPORT PLATE
28	544211-002	*	*	1	SEAM WIDTH FINGER SUPPORT PLATE SCREW
29	550454	*	*	1	SEAM WIDTH CONTROL DIAL COMP.
30	544207-011	*	*	1	SEAM WIDTH CONTROL DIAL SCREW
31	550602	*	*	1	SEAM WIDTH CONTROL DIAL SPRING
32	543803-002	*	*	1	SEAM WIDTH CONTROL DIAL SPRING WASHER
33	544211-002	*	*	1	SEAM WIDTH CONTROL SPRING SCREW
34	550549	*	*	1	SEAM WIDTH CONTROL SCREW
35	550456	*	*	1	SEAM WIDTH CONTROL SCREW BUSHING
36	543801-003	*	*	2	SEAM WIDTH CONTROL SCREW RETAINING RING
37	550359	*	*	1	SEAM WIDTH CONTROL SCREW SPRING
38	544207-011	*	*	1	SEAM WIDTH CONTROL STUD SCREW
39	556149	*	*	1	NEEDLE GUARD BRACKET
40	550432	*	*	1	NEEDLE GUARD (FRONT) FOR OVEREDGE NEEDLE
41	544211-001	*	*	1	NEEDLE GUARD (FRONT) FOR OVEREDGE NEEDLE SCREW
42	374392-002	*	*	1	NEEDLE GUARD (FRONT) FOR OVEREDGE NEEDLE ADJUSTING SCREW
43	544212-001	*	*	1	NEEDLE GUARD BRACKET COMP. SCREW
44	550436-391	*	*	1	KNIFE (MOVABLE) COMP.
45	550447	*	*	1	KNIFE (STATIONARY) COMP.
46	550598	*	*	1	SEAM WIDTH CONTROL SCREW COMP.

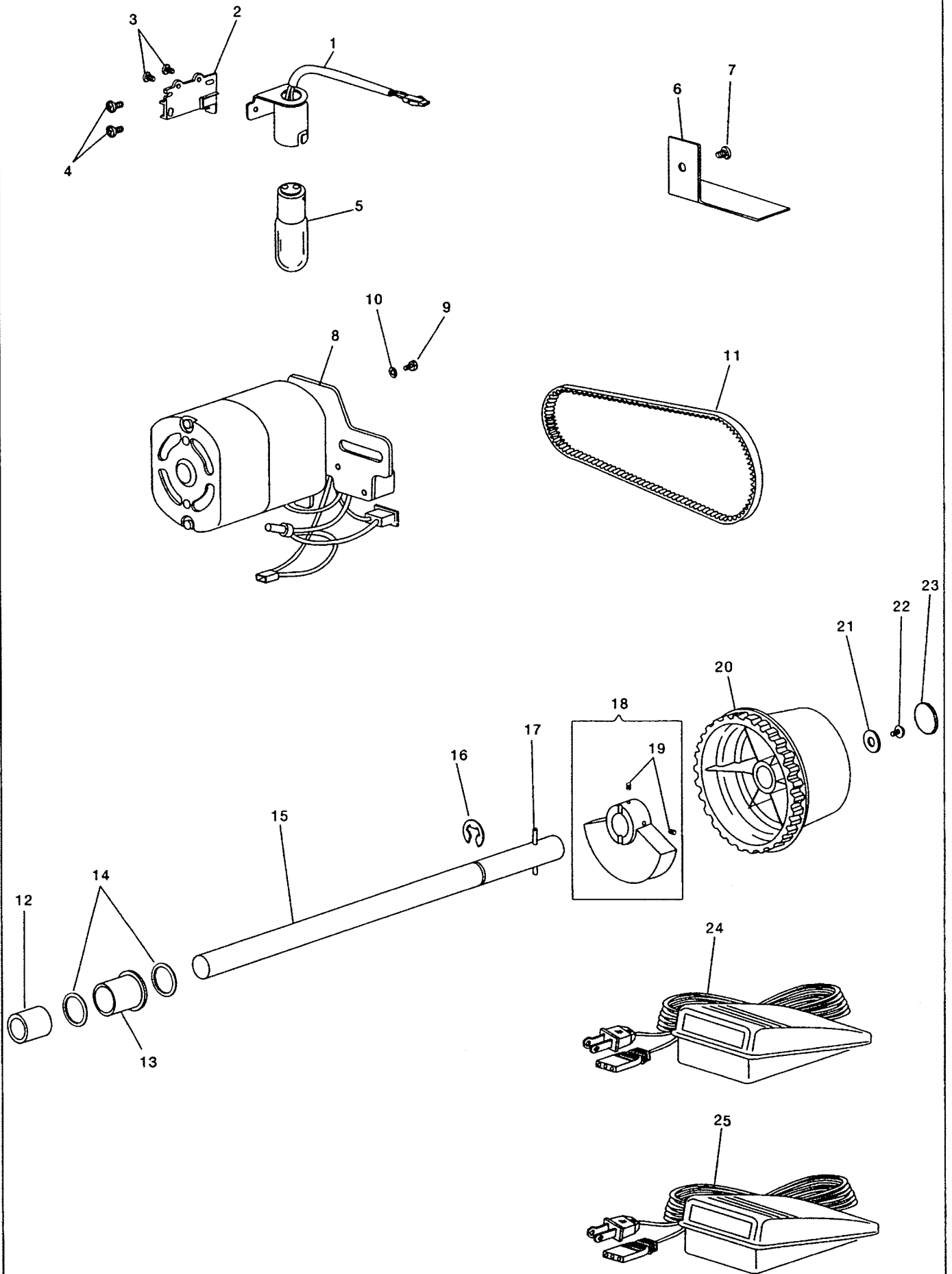


NO.	PART NO.	744	754	QTY.	DESCRIPTION
1	550467	*	*	1	FEED CRANK (LEFT) COMP.
2	544207-011	*	*	2	FEED CRANK (LEFT) SCREW
3	544207-011	*	*	1	FEED CRANK (LEFT) STUD SCREW
4	550473	*	*	1	FEED CRANK (LEFT) STUD
5	543801-006	*	*	1	FEED CRANK (LEFT) STUD RETAINING RING
6	542402	*	*	1	FEED CRANK (LEFT) STUD THRUST WASHER
7	550460	*	*	1	FEED CRANK SHAFT BUSHING (LEFT)
8	550459	*	*	1	FEED CRANK SHAFT BUSHING (RIGHT)
9	543531	*	*	1	FEED CRANK SHAFT THRUST WASHER
10	550458	*	*	1	FEED CRANK SHAFT
11	543801-005	*	*	1	FEED CRANK SHAFT BUSHING RETAINING RING
12	543815-006	*	*	1	FEED CRANK SHAFT THRUST WASHER
13	550467	*	-	1	FEED CRANK (RIGHT) COMP.
14	544207-011	*	-	2	FEED CRANK (RIGHT) SCREW
15	544207-011	*	-	1	FEED CRANK (RIGHT) STUD SCREW
16	550471	-	*	1	FEED CRANK (RIGHT) (FOR DIFF.FEED) COMP.
17	544207-011	-	*	1	FEED CRANK (RIGHT) (FOR DIFF.FEED) SCREW.
18	544207-011	-	*	2	FEED CRANK (RIGHT) STUD SCREW
19	544207-011	-	*	1	DIFFERENTIAL FEED CRANK STUD SCREW
20	550464	*	*	1	FEED REGULATOR CRANK ROD COMP.
21	543801-006	*	*	1	FEED CRANK ROD STUD RETAINING RING
22	412635	*	*	1	FEED CRANK ROD STUD
23	543531	*	*	1	FEED CRANK ROD STUD THRUST WASHER
24	543801-006	*	*	1	FEED CRANK (RIGHT) STUD RETAINING RING
25	550469	*	*	1	FEED CRANK (RIGHT) STUD
26	542402	*	*	1	FEED CRANK (RIGHT) STUD THRUST WASHER
27	556086	*	*	1	FEED CAM COMP.
28	544207-011	*	*	2	FEED CAM SCREW
29	550463-900	*	*	1	FEED CRANK ROD
30	544207-011	*	*	1	FEED CRANK ROD PIN SCREW
31	550583	*	-	1	FEED BAR
32	550483	*	-	1	FEED DOG
33	544103	*	-	2	FEED DOG SCREW
34	550579	*	*	1	FEED LIFTING CAM COMP.
35	544207-011	*	*	2	FEED LIFTING CAM SCREW
36	410387	*	*	1	FEED LIFTING CAM SLIDE BLOCK
37	543818-010	*	*	1	FEED LIFTING CAM SLIDE BLOCK RETAINING RING
38	550638	-	*	1	MAIN FEED BAR
39	550499	-	*	1	MAIN FEED DOG
40	544211-002	-	*	2	MAIN FEED DOG SCREW
41	550497	-	*	1	MAIN FEED BAR SPRING SCREW STUD
42	550498	-	*	1	AUXILIARY FEED SUPPORT BRACKET
43	544211-002	-	*	2	AUXILIARY FEED SUPPORT BRACKET SCREW
44	550500	-	*	1	AUXILIARY FEED BAR
45	550503	-	*	1	AUXILIARY FEED BAR GUIDE PIN SCREW
46	543801-003	-	*	2	AUXILIARY FEED BAR LINK RETAINING RING
47	550504	-	*	1	AUXILIARY FEED BAR LINK
48	557745	-	*	1	DIFFERENTIAL FEED ARM COMP.
49	550509	-	*	1	MAIN FEED BAR SPRING
50	550502	-	*	1	AUXILIARY FEED DOG
51	544212-003	-	*	1	AUXILIARY FEED DOG SCREW
52	543804-003	-	*	1	AUXILIARY FEED DOG SCREW WASHER
53	550501	-	*	1	AUXILIARY FEED DOG HOLDER
54	544211-002	-	*	1	AUXILIARY FEED DOG HOLDER SCREW



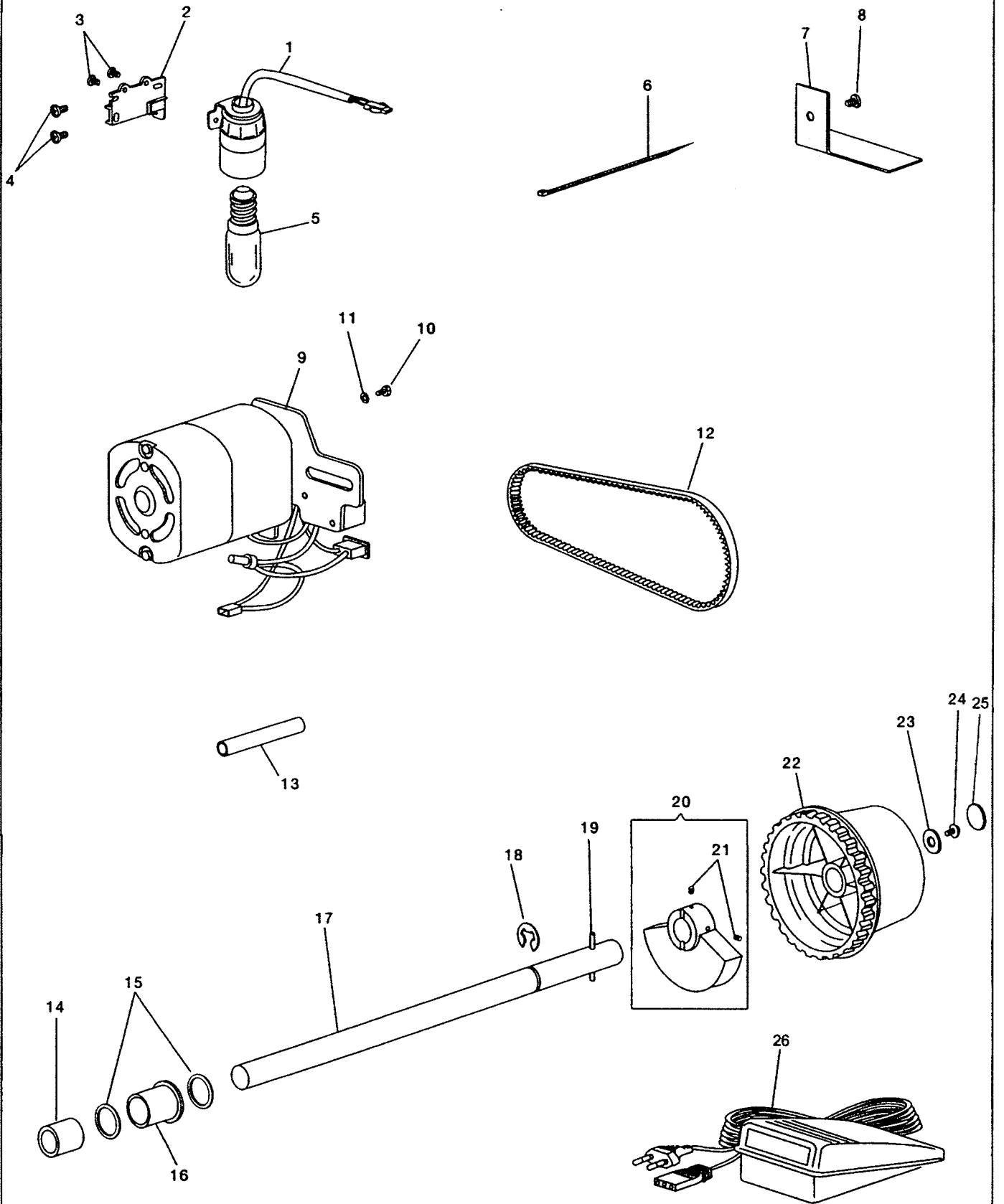
NO.	PART NO.	744	754	QTY.	DESCRIPTION
1	557715	*	*	1	FEED REGULATOR DRIVING CAM (BODY) COMP.
2	544207-011	*	*	1	FEED REGULATOR DRIVING CAM SCREW
3	557717-401	*	*	1	FEED DIAL (GRAPHIC)
4	543801-006	*	*	1	FEED DIAL (GRAPHIC) REGAINING RING
5	409213	*	*	1	FEED DIAL WAVE WASHER
6	281401	*	*	1	FEED REGULATOR
7	410370	*	*	1	FEED REGULATOR STUD BUSHING
8	544207-011	*	*	1	FEED REGULATOR STUD BUSHING SET SCREW
9	281485	*	*	1	FEED REGULATOR LEVER SPRING
10	281413	*	-	1	FEED REGULATOR LEVER COMP.
10	550490	-	*	1	FEED REGULATOR LEVER COMP.
11	544207-011	*	*	1	FEED REGULATOR LEVER SCREW
12	550523	-	*	1	DIFFERENTIAL FEED SAFETY PLATE
13	543801-002	-	*	2	DIFFERENTIAL FEED SAFETY PLATE RETAINING PLATE
14	550510	-	*	1	DIFFERENTIAL FEED SHAFT
15	543801-006	-	*	1	DIFFERENTIAL FEED SHAFT RETAINING RING
16	557748	-	*	1	DIFFERENTIAL FEED SHAFT BUSHING (LEFT)
17	375390	-	*	1	DIFFERENTIAL FEED SHAFT COLLAR COMP.
18	544207-011	-	*	1	DIFFERENTIAL FEED SHAFT COLLAR SCREW
19	410324	-	*	1	DIFFERENTIAL FEED SHAFT BUSHING
20	550584	-	*	1	DIFFERENTIAL FEED ADJUSTING ARM COMP.
21	544207-011	-	*	1	DIFFERENTIAL FEED ADJUSTING ARM SCREW
22	412622	-	*	1	DIFFERENTIAL FEED CRANK ROD
23	412620	-	*	1	DIFFERENTIAL FEED CRANK STUD
24	543801-006	-	*	1	DIFFERENTIAL FEED CRANK STUD RETAINING RING
25	412627	-	*	1	DIFFERENTIAL FEED CRANK ROD STUD
26	543801-006	-	*	2	DIFFERENTIAL FEED CRANK ROD STUD RETAINING RING
27	557728	-	*	1	DIFFERENTIAL FEED ADJUSTING LEVER (LOWER)
28	550519	-	*	1	DIFFERENTIAL FEED LEVER LINK COMP.
29	543801-005	-	*	1	DIFFERENTIAL FEED LEVER RETAINING RING
30	543801-006	-	*	1	DIFFERENTIAL FEED ADJUSTING LEVER (LOWER) RETAINING RING
31	550572	-	*	1	DIFFERENTIAL FEED LEVER COMP.
32	544207-011	-	*	1	DIFFERENTIAL FEED ADJUSTING LEVER SCREW
33	412644	-	*	1	DIFFERENTIAL FEED ADJUSTING LEVER STUD
34	543801-006	-	*	2	DIFFERENTIAL FEED ADJUSTING LEVER STUD RETAINING RING
35	544207-011	-	*	1	DIFFERENTIAL FEED ADJUSTING LEVER STUD SCREW
36	550524	-	*	1	DIFFERENTIAL FEED ADJUSTING LEVER SPRING
37	544270-001	-	*	1	DIFFERENTIAL FEED ADJUSTING LEVER SPRING SCREW
38	557733	-	*	1	DIFFERENTIAL FEED ADJUSTING LEVER COMP.
39	543808-003	-	*	1	DIFFERENTIAL FEED ADJUSTING LEVER PIN
40	543803-005	-	*	1	DIFFERENTIAL FEED ADJUSTING LEVER WASHER
41	557720-391	-	*	1	DIFFERENTIAL FEED ADJUSTING LEVER KNOB

120V, 127V



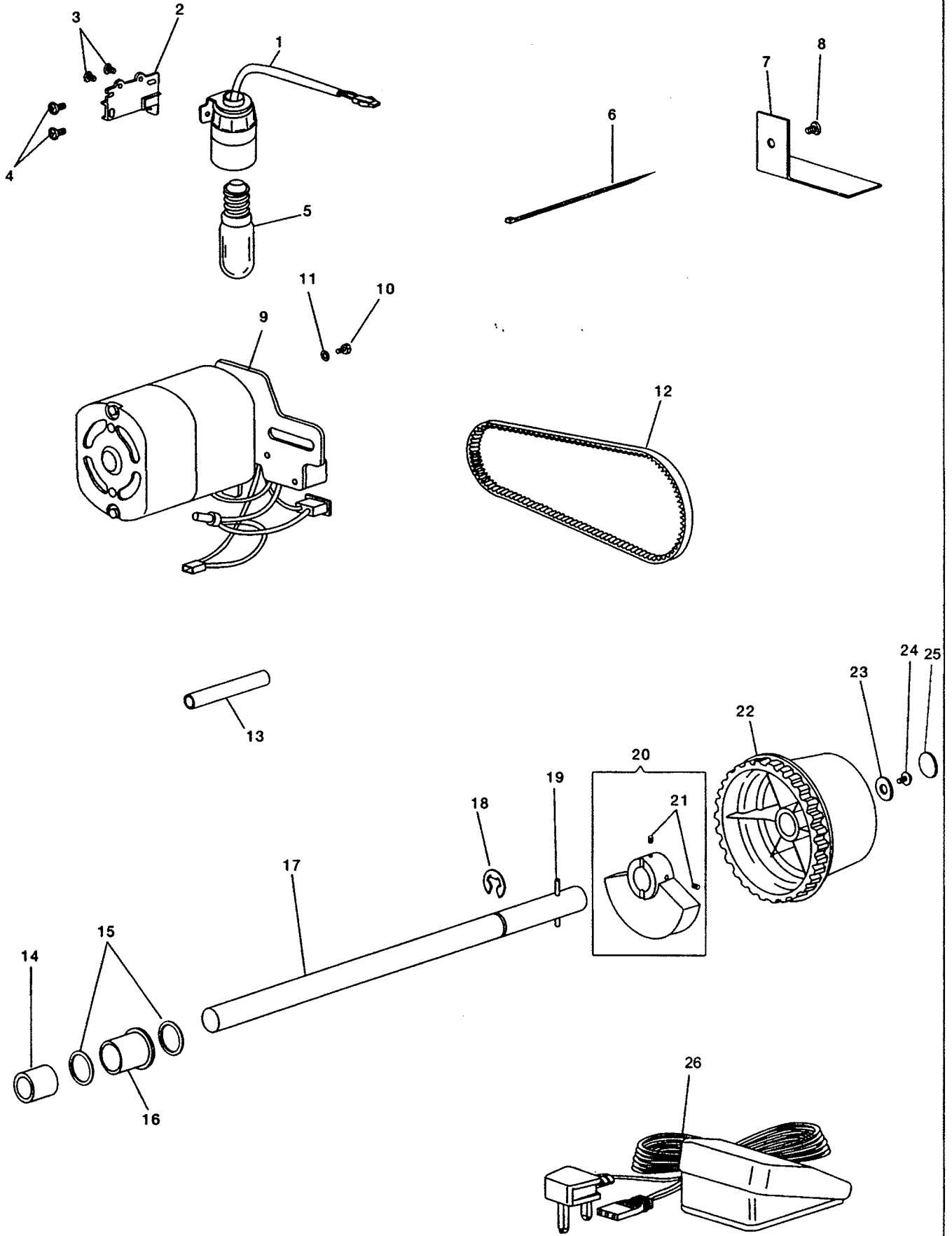
NO.	PART NO.	744	754	QTY.	DESCRIPTION
1	369308	*	*	1	LAMP HOLDER COMP. (FOR 120-127V)
2	557727	*	*	1	LAMP HOLDER BRACKET
3	544211-002	*	*	2	LAMP HOLDER COMP.SCREW
4	544212-002	*	*	2	LAMP HOLDER BRACKET SCREW
5	194120-019	*	*	1	LAMP (FOR 120-127V,15W)
6	412737	*	*	1	CORD CLAMPING PLATE
7	544212-001	*	*	1	CORD CLAMPING PLATE SCREW
8	369432-120	*	*	1	MOTOR, SWITCH COMP. (FOR 120V)
8	369432-127	*	*	1	MOTOR, SWITCH COMP. (FOR 127V)
9	544499-001	*	*	1	MOTOR, BRACKET SCREW
10	543805-005	*	*	1	MOTOR, BRACKET SCREW WASHER
11	557725	*	*	1	TIMING BELT
12	410252	*	*	1	ROTATING SHAFT BUSHING (LEFT)
13	410253	*	*	1	ROTATING SHAFT BUSHING (RIGHT)
14	408730	*	*	2	ROTATING SHAFT THRUST WASHER
15	557723	*	*	1	ROTATING SHAFT
16	543801-010	*	*	1	ROTATING SHAFT RETAINING RING
17	543808-004	*	*	1	ROTATING SHAFT SPRING PIN
18	550527	*	*	1	ROTATING SHAFT BALANCE WEIGHT COMP.
19	544207-011	*	*	2	ROTATING SHAFT BALANCE WEIGHT COMP.SCREW
20	364290-900	*	*	1	TIMING BELT PULLEY
21	543848	*	*	1	TIMING BELT PULLEY SET SCREW WASHER
22	544270-001	*	*	1	TIMING BELT PULLEY SET SCREW
23	130626-900	*	*	1	TIMING BELT PULLEY COVER
24	369434-003	*	*	1	CONTROLLER COMP. (TRIAC 100-120V)(PLUG A-TYPE)
25	369434-013	*	*	1	CONTROLLER COMP. (TRIAC 127V)(PLUG A-TYPE)

220V



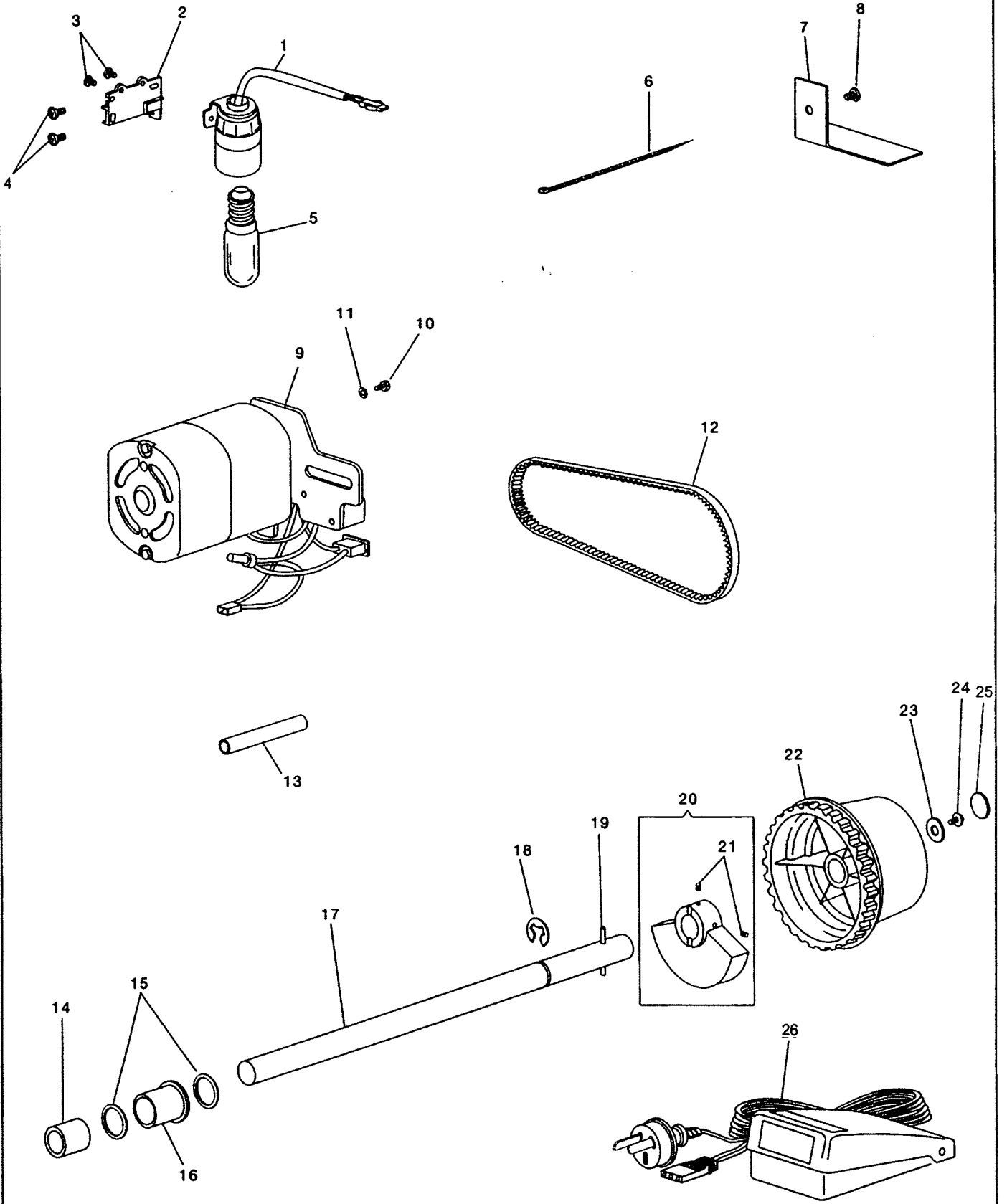
NO.	PART NO.	744	754	QTY.	DESCRIPTION
1	369316	*	*	1	LAMP HOLDER COMP. (FOR 200-240V)
2	557727	*	*	1	LAMP HOLDER BRACKET
3	544211-002	*	*	2	LAMP HOLDER COMP.SCREW
4	544212-002	*	*	2	LAMP HOLDER BRACKET SCREW
5	369215-001	*	*	1	LAMP (FOR 220-240V,15W)
6	540889	*	*	2	CORD RETAINER
7	412737	*	*	1	CORD CLAMPING PLATE
8	544212-001	*	*	1	CORD CLAMPING PLATE SCREW
9	364299-001	*	*	1	MOTOR, SWITCH COMP. (220V)
10	544499-001	*	*	1	MOTOR, BRACKET SCREW
11	543805-005	*	*	1	MOTOR, BRACKET SCREW WASHER
12	557725	*	*	1	TIMING BELT
13	419161-906	*	*	1	TUBE (FOR 220-240V)
14	410252	*	*	1	ROTATING SHAFT BUSHING (LEFT)
15	408730	*	*	2	ROTATING SHAFT THRUST WASHER
16	410253	*	*	1	ROTATING SHAFT BUSHING (RIGHT)
17	557723	*	*	1	ROTATING SHAFT
18	543801-010	*	*	1	ROTATING SHAFT RETAINING RING
19	543808-004	*	*	1	ROTATING SHAFT SPRING PIN
20	550527	*	*	1	ROTATING SHAFT BALANCE WEIGHT COMP.
21	544207-011	*	*	2	ROTATING SHAFT BALANCE WEIGHT COMP.SCREW
22	364290-900	*	*	1	TIMING BELT PULLEY
23	543848	*	*	1	TIMING BELT PULLEY SET SCREW WASHER
24	544270-001	*	*	1	TIMING BELT PULLEY SET SCREW
25	130626-900	*	*	1	TIMING BELT PULLEY COVER
26	364297-001	*	*	1	CONTROLLER COMP. (CARBON 220-250V)(PLUG C-TYPE)

230V

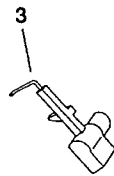
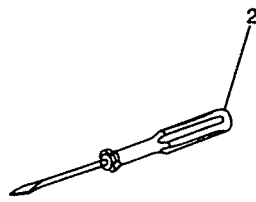
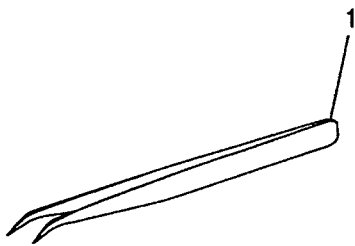


NO.	PART NO.	744	754	QTY.	DESCRIPTION
1	369316	*	*	1	LAMP HOLDER COMP. (FOR 200-240V)
2	557727	*	*	1	LAMP HOLDER BRACKET
3	544211-002	*	*	2	LAMP HOLDER COMP.SCREW
4	544212-002	*	*	2	LAMP HOLDER BRACKET SCREW
5	369215-001	*	*	1	LAMP (FOR 220-240V,15W)
6	540889	*	*	2	CORD RETAINER
7	412737	*	*	1	CORD CLAMPING PLATE
8	544212-001	*	*	1	CORD CLAMPING PLATE SCREW
9	364299-001	*	*	1	MOTOR, SWITCH COMP. (FOR 230V)
10	544499-001	*	*	1	MOTOR, BRACKET SCREW
11	543805-005	*	*	1	MOTOR, BRACKET SCREW WASHER
12	557725	*	*	1	TIMING BELT
13	419161-906	*	*	1	TUBE (FOR 220-240V)
14	410252	*	*	1	ROTATING SHAFT BUSHING (LEFT)
15	408730	*	*	2	ROTATING SHAFT THRUST WASHER
16	410253	*	*	1	ROTATING SHAFT BUSHING (RIGHT)
17	557723	*	*	1	ROTATING SHAFT
18	543801-010	*	*	1	ROTATING SHAFT RETAINING RING
19	543808-004	*	*	1	ROTATING SHAFT SPRING PIN
20	550527	*	*	1	ROTATING SHAFT BALANCE WEIGHT COMP.
21	544207-011	*	*	1	ROTATING SHAFT BALANCE WEIGHT COMP.SCREW
22	364290-900	*	*	1	TIMING BELT PULLEY
23	543848	*	*	1	TIMING BELT PULLEY SET SCREW WASHER
24	544270-001	*	*	1	TIMING BELT PULLEY SET SCREW
25	130626-900	*	*	1	TIMING BELT PULLEY COVER
26	364297-002	*	*	1	CONTROLLER COMP. (CARBON 230V)(PLUG BF-TYPE)

240V



NO.	PART NO.	744	754	QTY.	DESCRIPTION
1	369316	*	*	1	LAMP HOLDER COMP. (FOR 200-240V)
2	557727	*	*	1	LAMP HOLDER BRACKET
3	544211-002	*	*	2	LAMP HOLDER COMP.SCREW
4	544212-002	*	*	2	LAMP HOLDER BRACKET SCREW
5	369215-001	*	*	1	LAMP (FOR 220-240V,15W)
6	540889	*	*	2	CORD RETAINER
7	412737	*	*	1	CORD CLAMPING PLATE
8	544212-001	*	*	1	CORD CLAMPING PLATE SCREW
9	364299-001	*	*	1	MOTOR, SWITCH BOX COMP. (FOR 240V)
10	544499-001	*	*	1	MOTOR, BRACKET SCREW
11	543805-005	*	*	1	MOTOR, BRACKET SCREW WASHER
12	557725	*	*	1	TIMING BELT
13	419161-906	*	*	1	TUBE (FOR 220-240V)
14	410252	*	*	1	ROTATING SHAFT BUSHING (LEFT)
15	408730	*	*	2	ROTATING SHAFT THRUST WASHER
16	410253	*	*	1	ROTATING SHAFT BUSHING (RIGHT)
17	557723	*	*	1	ROTATING SHAFT
18	543801-010	*	*	1	ROTATING SHAFT RETAINING RING
19	543808-004	*	*	1	ROTATING SHAFT SPRING PIN
20	550527	*	*	1	ROTATING SHAFT BALANCE WEIGHT COMP.
21	544207-011	*	*	2	ROTATING SHAFT BALANCE WEIGHT COMP.SCREW
22	364290-900	*	*	1	TIMING BELT PULLEY
23	543848	*	*	1	TIMING BELT PULLEY SET SCREW WASHER
24	544270-001	*	*	1	TIMING BELT PULLEY SET SCREW
25	130626-900	*	*	1	TIMING BELT PULLEY COVER
26	364297-003	*	*	1	CONTROLLER COMP. (CARBON 220-250V)(PLUG S-TYPE)



NO.	PART NO.	744	754	QTY.	DESCRIPTION
1	376638	*	*	1	TWEEZERS
2	541514	*	*	1	SCREW DRIVER (SMALL)
3	550547	*	*	1	SPREADER
4	552225	*	*	1	NEEDLE PACK