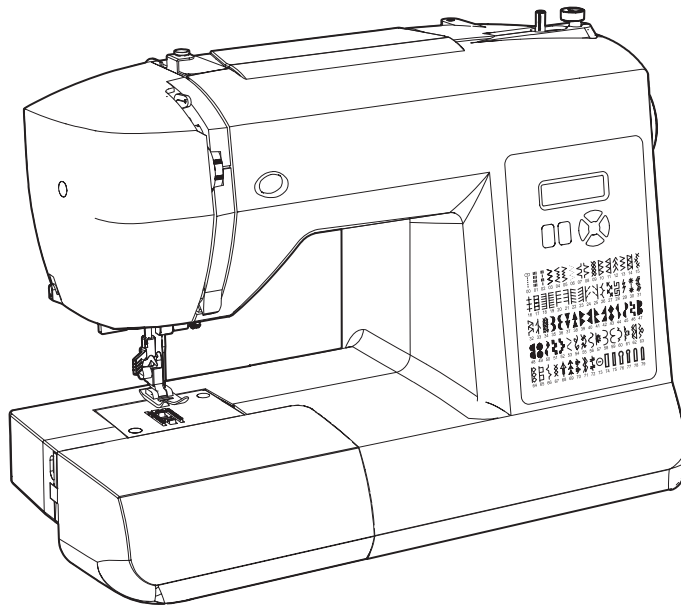




SINGER®

6660-6680-6699

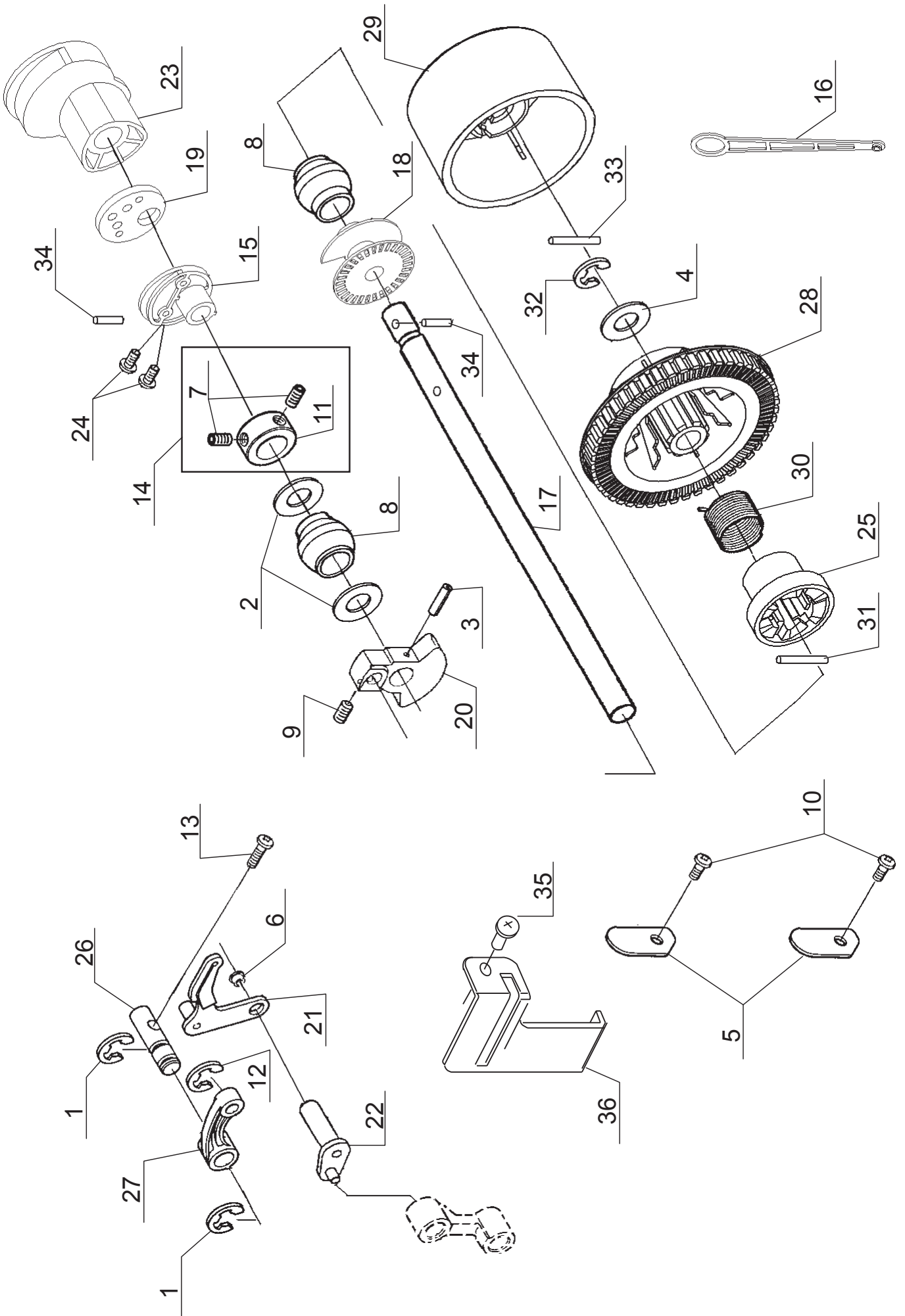


Liste de pièces Lista de Piezas Parts List

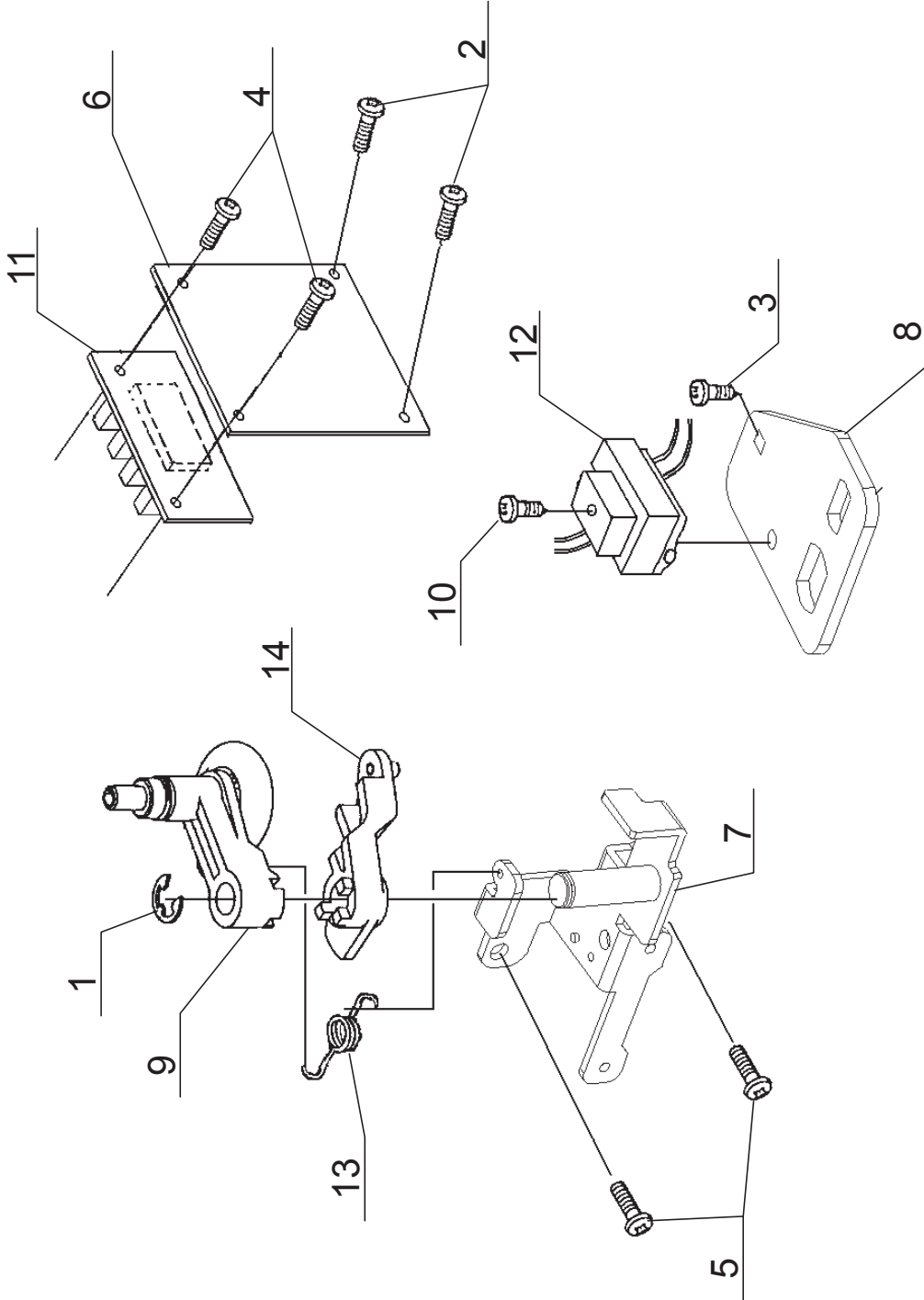
SINGER is the exclusive trademark of The Singer Company S.à.r.l or its Affiliates.

© 2015 The Singer Company Limited S.à.r.l or its Affiliates. All rights reserved.

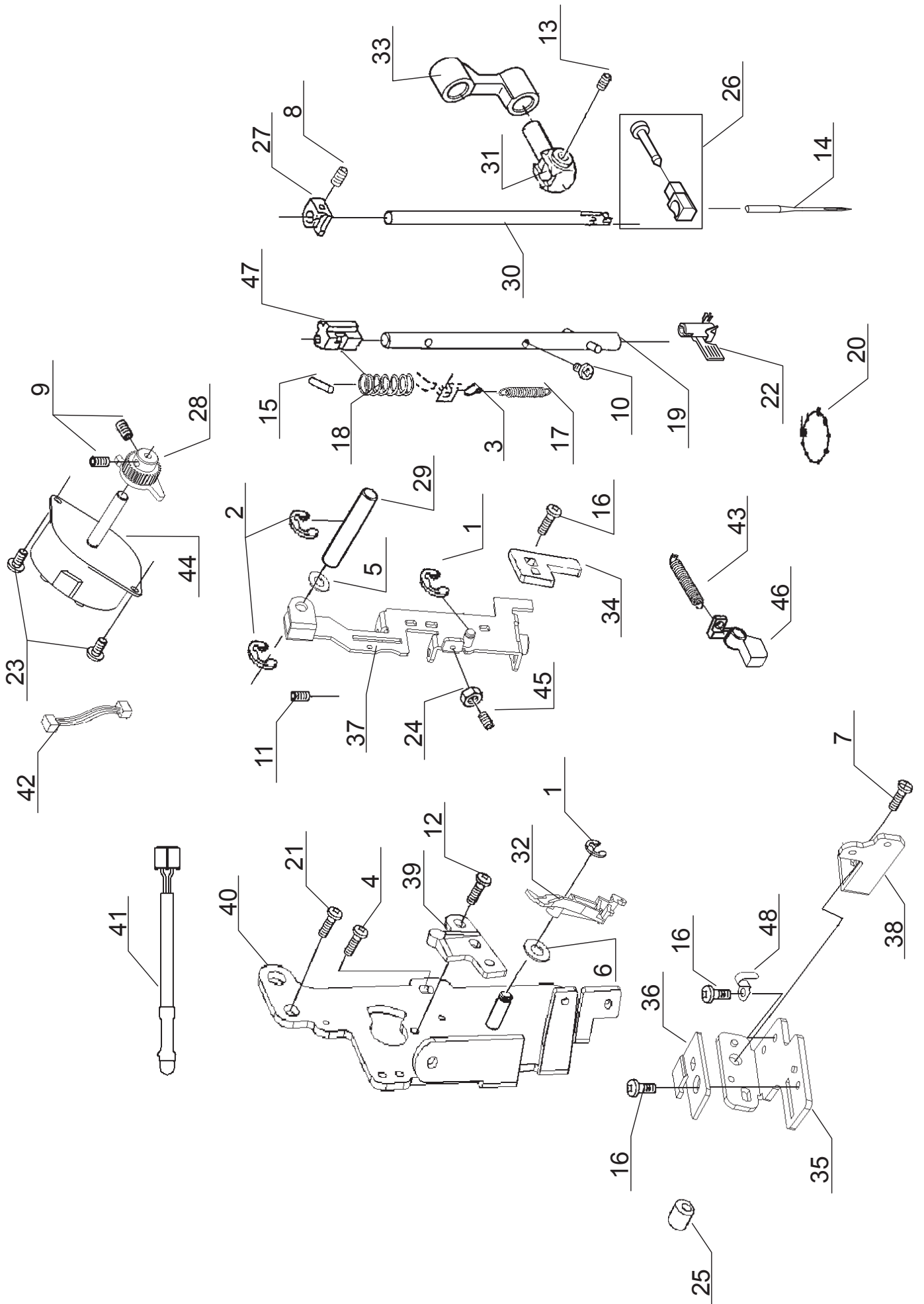
A



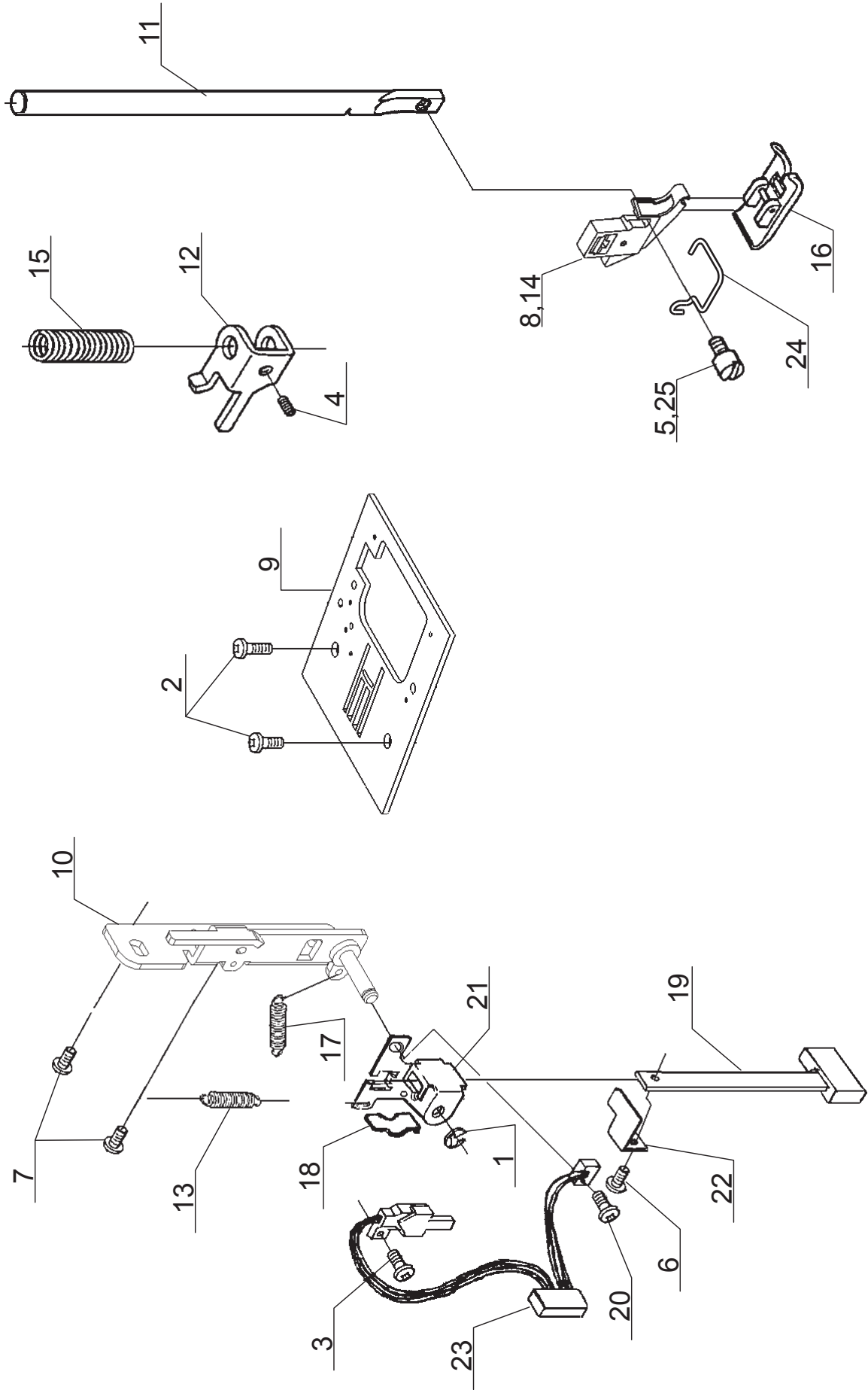
Pos	Part Number	Description
1	270 010963	E6 CLIP-ON-WASHER
2	270 043389	THRUST WASHER
3	270 043930	SPRING PIN
4	416459701	WASHER
6	270 066437	BUSH
7	270 067447	M5 SCREW
8	270 068152	BALL BUSH
9	270 073371	M6 SCREW
10	270 073434	M4 PHILIPS SCREW
11	270 073472	COLLAR
12	270 075207	CS-CLIP
13	270 077035	M4 PHILIPS SCREW
20	416459801	BALANCE CAM
21	416459901	TAKE-UP LEVER
22	416460101	CRANK SHAFT
25	416460201	RATCHET
26	416460301	SHAFT
27	416556701	TAKE-UP / SHAFT SET
28	416460601	BELT PULLEY
29	416460601	HAND WHEEL
30	416460701	COMPRESSION SPRING
31	416460801	PIN
32	416460901	E8 CLIP-ON-WASHER
33	416461001	PIN
34	416433401	SPRING PIN
35	270 077042	M4 PHILLIPS SCREW



<u>Pos</u>	<u>Part Number</u>	<u>Description</u>
1	270 010963	E6 CLIP-ON-WASHER
2	270 061222	M4 PHILIPS SCREW
3	270 073900	M3 PHILIPS SCREW
4	270 080110	M3 PHILIPS SCREW
5	270 077042	M4 PHILLIPS SCREW
7	416461101	BOBBIN WINDER BRACKET
9	416461201	BOBBIN WINDER ASSY
10	270 085274	M2 SCREW
11	416461301	PHOTO SENSOR CIRCUIT BOARD
12	416461401	SWITCH HARNESS
13	270 087182	TORSION SPRING
14	416461501	BOBBIN WINDER BASE

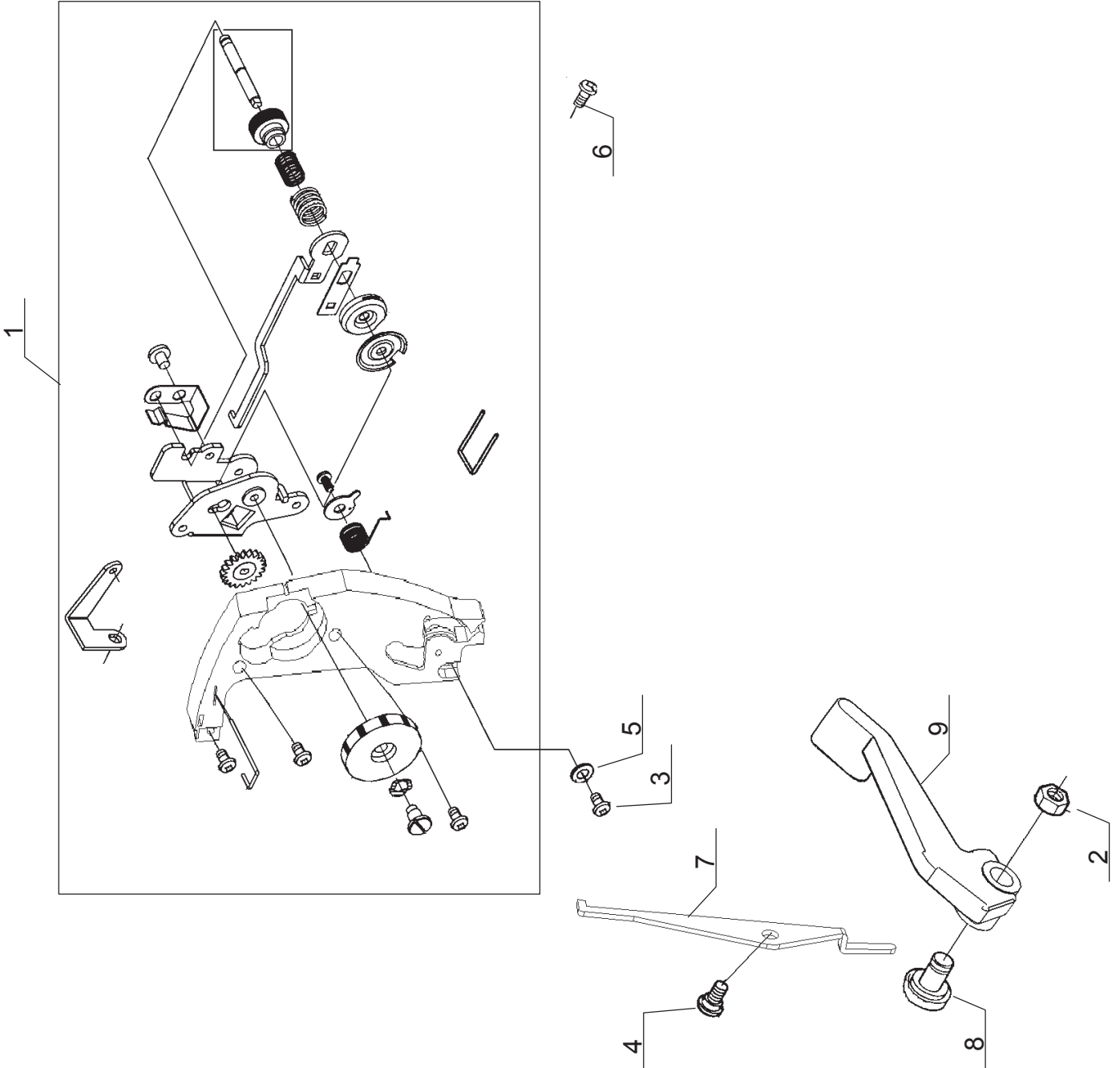


Pos	Part Number	Description
1	270 001513	E4 CLIP-ON-WASHER
2	270 008400	E5 CLIP-ON-WASHER
3	270 028917	HOOK FOR SPRING
7	270 061224	M4 PHILIPS SCREW
8	270 064359	M4 SCREW
9	270 064653	M3 SCREW
10	270 066005	M2 PHILIPS SCREW
13	270 066725	M4 SCREW
15	270 068343	PIN
16	270 073900	M3 PHILIPS SCREW
17	270 074050	EXTENSION SPRING
18	270 075027	COMPRESSION SPRING
19	270 076163	NEEDLE BAR
20	270 077041	UNITY FASTENER
21	270 077042	M4 PHILLIPS SCREW
22	270 077421	THREADER ASSEMBLY
23	270 080110	M3 PHILIPS SCREW
24	416514001	M3 SCREW
26	416487801	NEEDLE CLAMP SET
27	416461601	STOPPER
28	416461701	ZIGZAG DRIVE GEAR
30	416532501	NEEDLE BAR
31	416461801	NEEDLE BAR CRANK
33	416461901	NEEDLE BAR CRANK
44	270 087600	STEPPING MOTOR
45	416514101	M3 AR NUT
46	416462001	ECCENTRIC CAM
47	416462101	GUIDE BLOCK

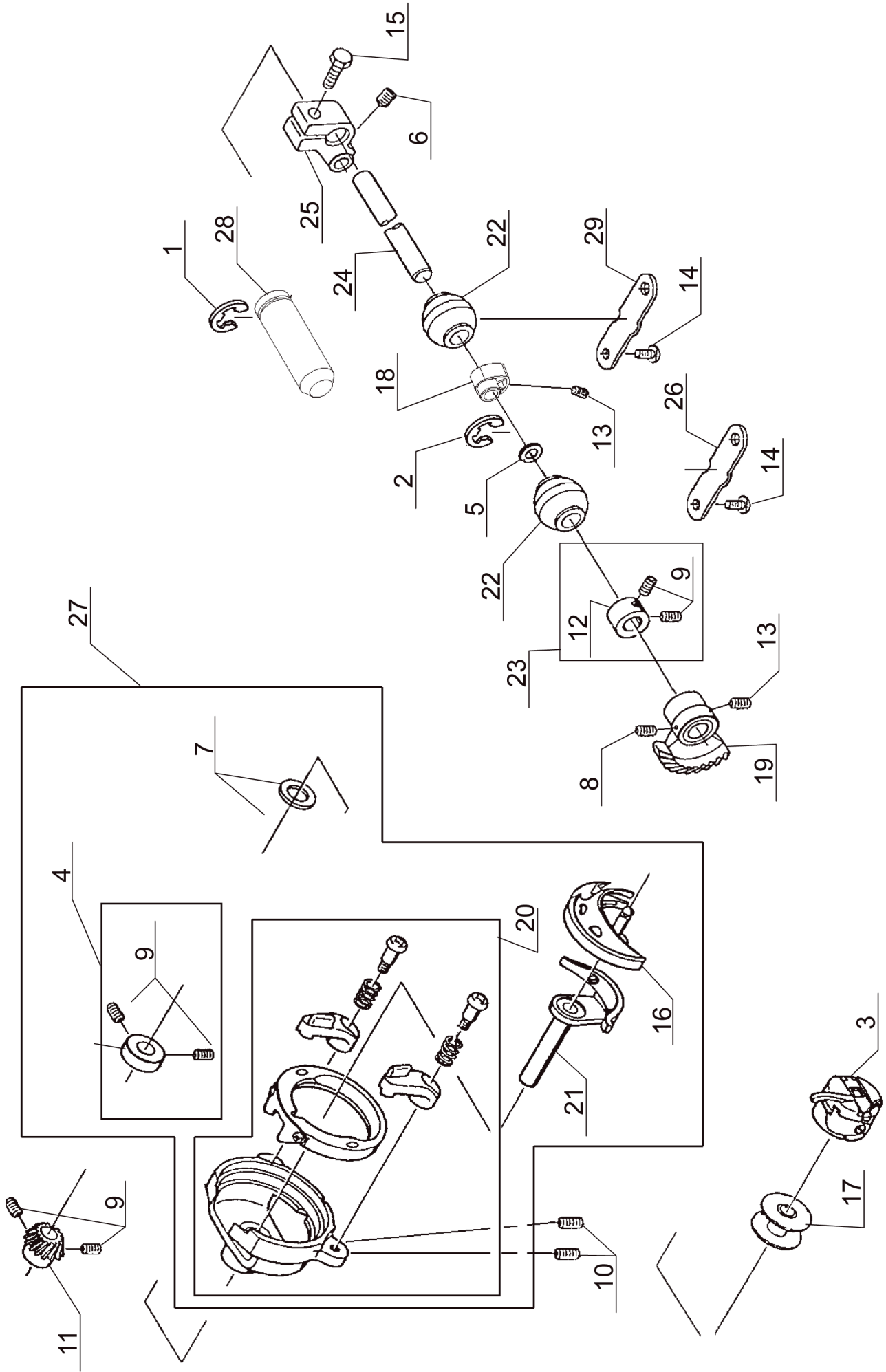


Pos	Part Number	Description
1	270 001520	E3 CLIP-ON-WASHER
2	270 064051	M4 SCREW
3	270 066005	M2 PHILIPS SCREW
4	270 066727	M4 SCREW
5	270 068299	#7 SCREW FOR SHANK
6	270 073900	M3 PHILIPS SCREW
7	270 077042	M4 PHILLIPS SCREW
9	416462201	NEEDLE PLATE
12	416462401	PRESSURE BAR GUIDE
15	416462601	COMPRESSION SPRING
16	416474001	ZIGZAG PRESSER FOOT
17	270 085064	EXTENSION SPRING
19	270 085198	BH PLATE (A)
21	270 087117	BH PLATE B
22	270 087118	BH PLATE (C)
23	416828001	BH SWITCH HARNESS

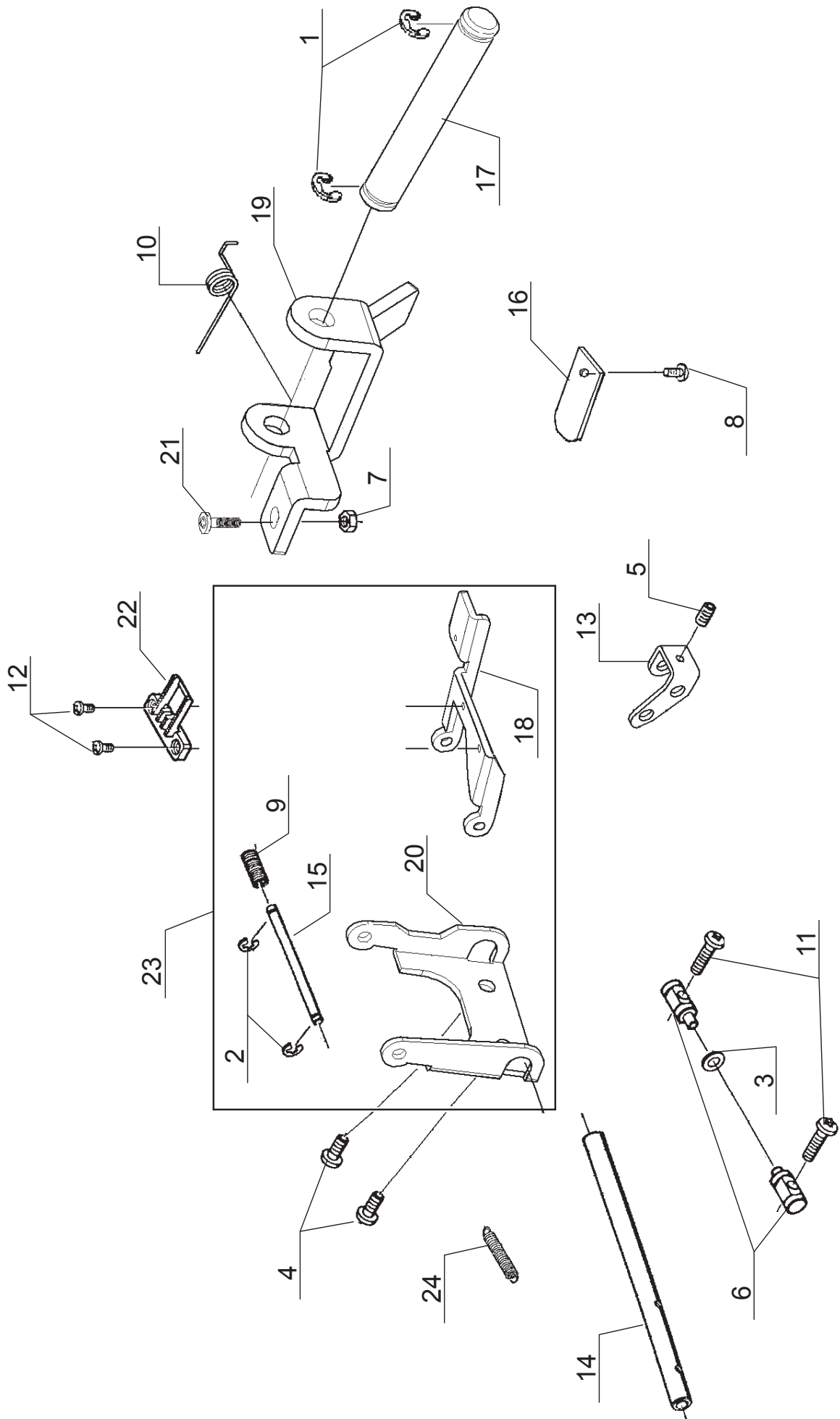
E



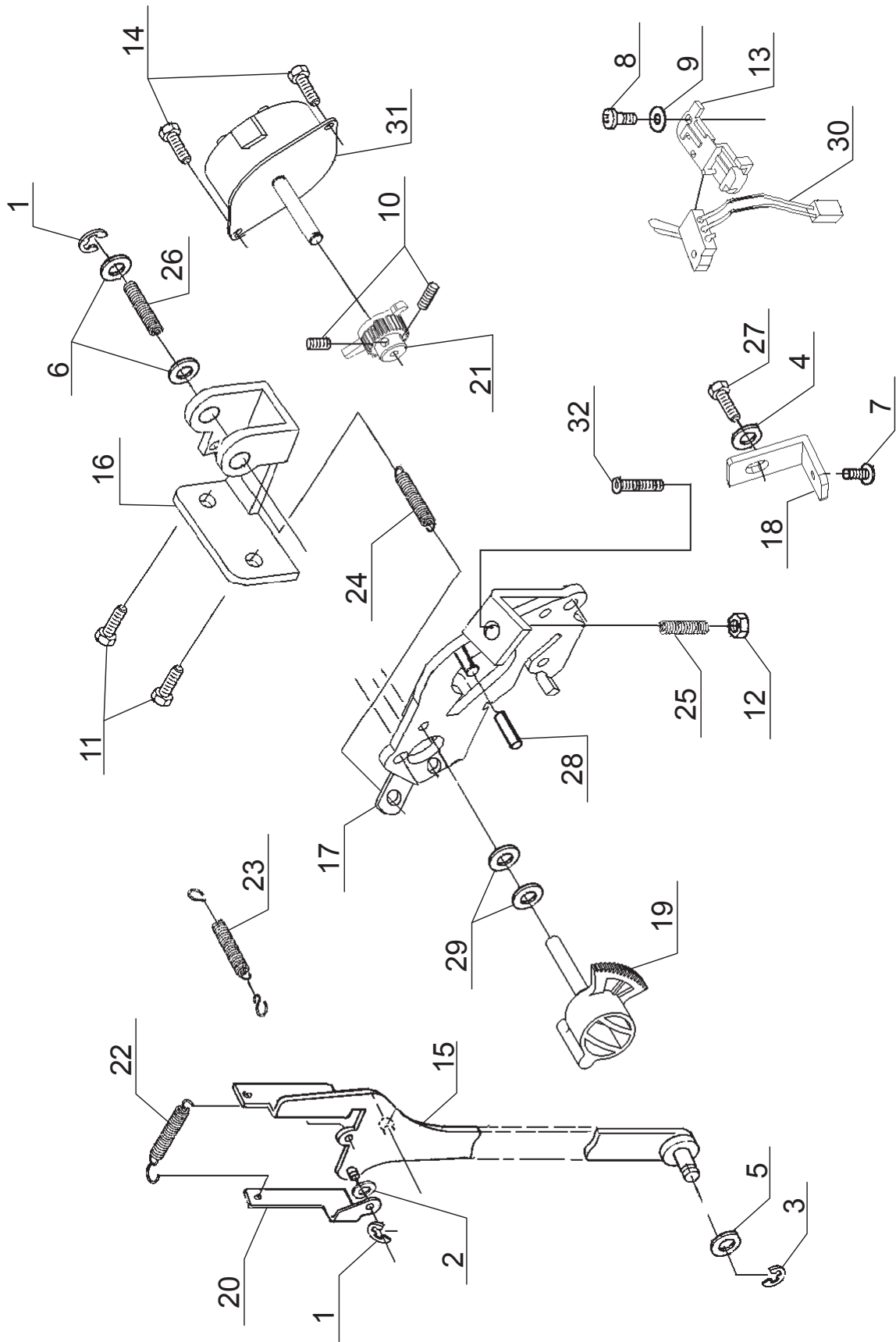
<u>Pos</u>	<u>Part Number</u>	<u>Description</u>
2	270 062215	M4 NUT
3	270 063796	M3 SCREW
5	270 072858	WASHER
6	270 077042	M4 PHILLIPS SCREW
7	416462801	TENSION RELEASE LEVER
8	270 087212	M4 SCREW
9	270 087297	PRESSURE BAR LIFTER



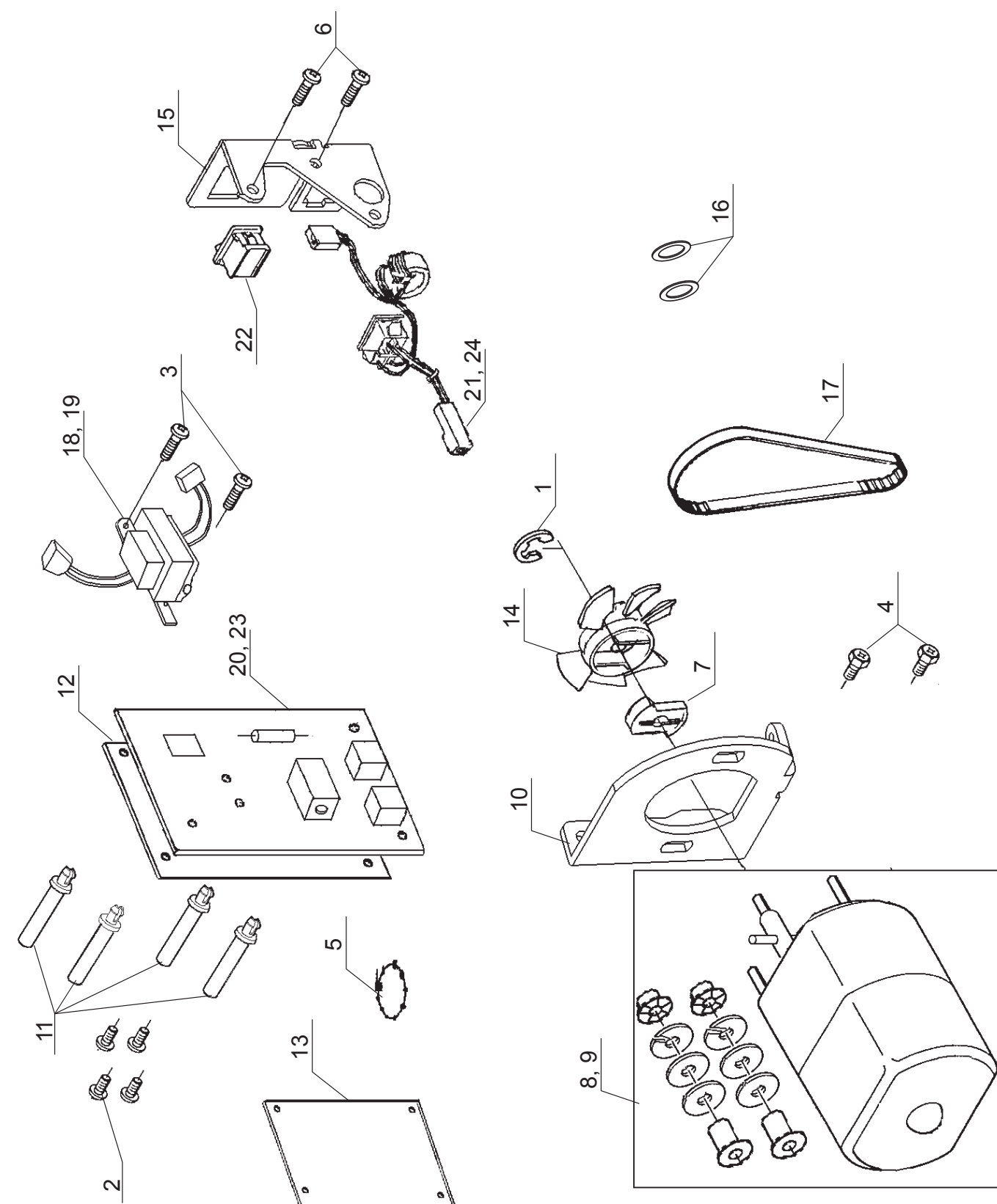
Pos	Part Number	Description
1	270 008400	E5 CLIP-ON-WASHER
2	270 010963	E6 CLIP-ON-WASHER
3	270 047910	BOBBIN CASE
5	270 061588	WASHER
6	270 062307	M4 SCREW
7	270 064637	THRUST WASHER
8	270 066474	M5 SCREW
9	270 066725	M4 SCREW
10	270 066727	M4 SCREW
11	270 067411	SPIRAL GEAR
13	270 067447	M5 SCREW
14	270 073434	M4 PHILIPS SCREW
15	270 073973	M4 BOLT
16	270 074097	SHUTTLE HOOK
17	270 085128	BOBBIN
19	270 075204	BEVEL GEAR
20	416534201	SHUTTLE RACE ASSY.
21	416464701	SHUTTLE RACE ASSEMBLY (INCL. 16, 20, 21)
22	270 076141	BALL METAL
25	416534501	LOWER SHAFT ROCKER



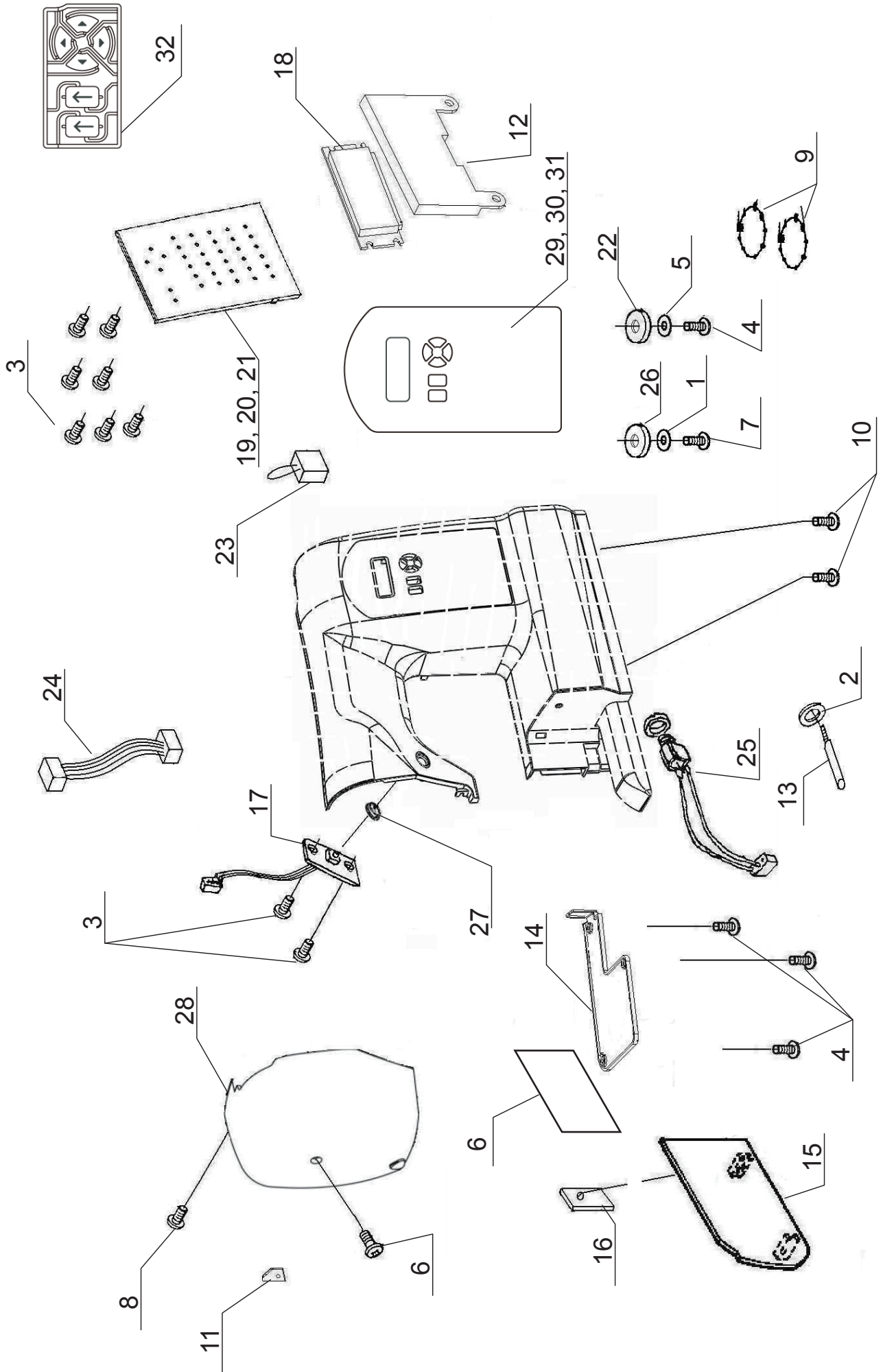
<u>Pos</u>	<u>Part Number</u>	<u>Description</u>
1	270 001513	E4 CLIP-ON-WASHER
2	270 001520	E3 CLIP-ON-WASHER
3	270 002744	WASHER
4	270 061224	M4 PHILIPS SCREW
7	270 073299	M4 TORQUE NUT
8	270 073434	M4 PHILIPS SCREW
10	270 075190	TORSION SPRING
11	270 077035	M4 PHILIPS SCREW
22	416536001	FEED-DOG
23	416464801	FEED REGULATING BRACKET UNIT



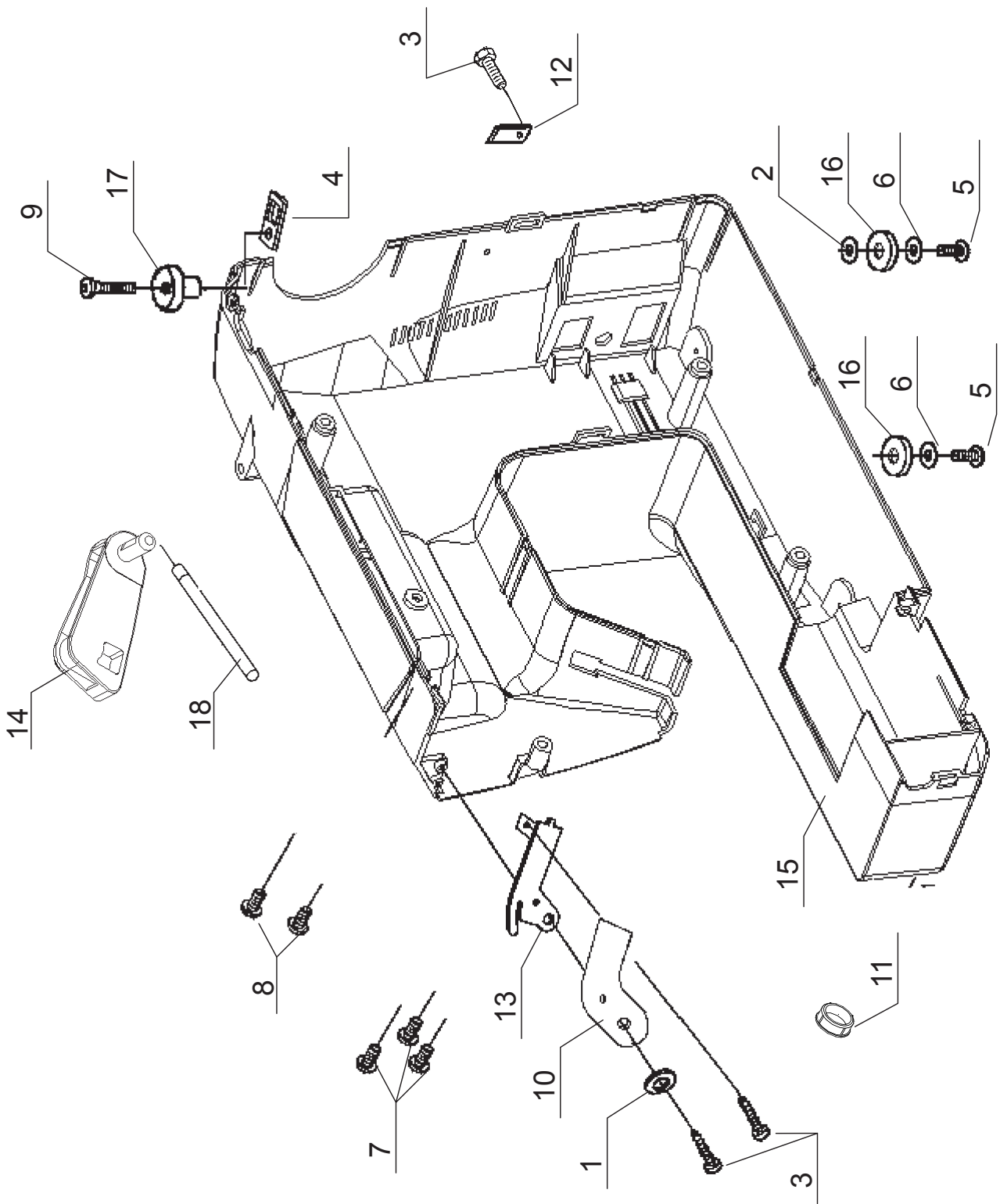
Pos	Part Number	Description
1	270 001513	E4 CLIP-ON-WASHER
2	270 001615	WASHER
3	270 008400	E5 CLIP-ON-WASHER
4	270 031246	WASHER
5	270 032316	WASHER
6	270 059221	WASHER
7	270 061222	M4 PHILIPS SCREW
8	270 063796	M3 SCREW
9	270 063805	WASHER
10	270 064653	M3 SCREW
11	416821901	CP BOLT
12	270 073299	M4 TORQUE NUT
13	270 077527	SENSOR COVER
14	270 080110	BOLT
19	416462901	FEED REGULATOR
21	416463001	PINION GEAR
22	270 085055	EXTENSION SPRING
23	270 085066	EXTENSION SPRING
24	270 087188	SPRING
25	270 087189	COMPRESSION SPRING
26	270 087191	COMPRESSION SPRING
27	270 087262	M3 CP SCREW
30	416463101	SWITCH HARNESS
31	270 087600	STEPPING MOTOR
32	270 087668	M4 BOLT



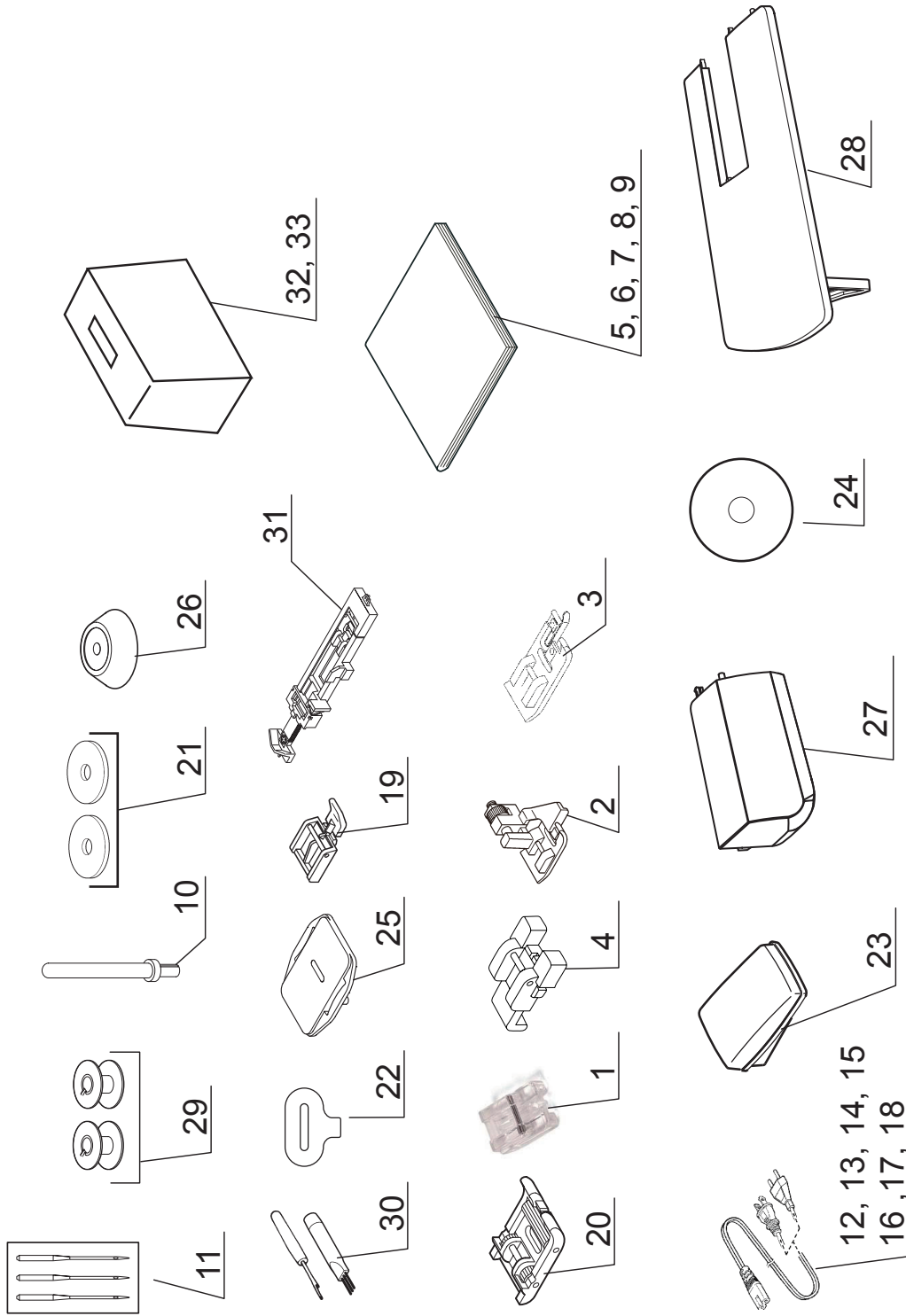
Pos	Part Number	Description
1	270 001520	E3 CLIP-ON-WASHER
2	270 039213	M3 SCREW
3	270 061222	M4 PHILIPS SCREW
4	416821901	CP BOLT
5	270 077041	UNITY FASTENER
6	270 077042	M4 PHILLIPS SCREW
7	270 077614	GEAR CLUTCH
8	416539901	MAIN MOTOR (120V)
9	416474101	MAIN MOTOR (230V)
14	270 087237	MOTOR FAN
15	270 087249	SWITCH BRACKET
17	270 087263	DRIVING BELT
18	270 087514	TRANSFORMER (120V)
19	270 087519	TRANSFORMER (230V)
20	270 087530	CIRCUIT BOARD (120V)
21	68002984	INLET HARNESS ASSY (120V) (INCL. 15, 21, 22)
22	270 087541	SWITCH
23	270 087553	CIRCUIT BOARD (230V)
24	270 087575	INLET HARNESS (230V)



Pos	Part Number	Description
1	270 002744	WASHER
2	270 004844	WASHER
3	270 039213	M3 SCREW
4	270 044261	M4 SCREW
5	270 059221	WASHER
6	270 061222	M4 PHILIPS SCREW
7	270 064617	TAPPING SCREW
8	270 065736	M4 PHILIPS SCREW
9	270 077041	UNITY FASTENER
10	270 077042	M4 PHILLIPS SCREW
11	270 077396	BLADE
12	416463301	LCD BOX
13	416463601	THREAD GUIDE PIN
17	416463801	SWITCH HARNESS
18	416463901	LCD
22	416509301	RUBBER FOOT



Pos	Part Number	Description
1	270 004844	WASHER
2	270 032316	WASHER
3	270 039213	M3 SCREW
4	270 039816	M4 SQUARE NUT
5	270 044261	M4 SCREW
6	270 059221	WASHER
7	270 061224	M4 PHILIPS SCREW
8	270 064484	TAPPING SCREW
9	270 077035	M4 PHILIPS SCREW
10	270 077528	SPRING PLATE
13	416464401	TENSION PLATE
16	416509301	RUBBER FOOT
18	416492601	SPOOL PIN



Pos	Part Number	Description	
1	416538701	INVISIBLE ZIPPER FOOT	(6680,6699 ONLY)
2	416538401	BLIND STITCH FOOT	(6680,6699 ONLY)
3	416538501	OVERCASTING FOOT	(6680,6699 ONLY)
4	416538601	BUTTON SEWING FOOT	(6680,6699 ONLY)
5	471012547	INSTR MAN ENG/SPA/FR	
10	270 064083	SPOOL PIN	
11	620098796	NEEDLE SET	
12	416464901	POWER CORD (120V)	
19	416437001	ZIPPER FOOT	
20	270 076292	ROLLER FOOT	(6680, 6699 ONLY)
21	270 077040	SPOOL PIN DISC	
22	270 079455	LARGE SCREW DRIVER	
23	416436101	FOOT CONTROL	
24	416531101	DVD	
25	416465401	DARNING PLATE	
26	416465501	SPOOL PIN CAP	
27	68003779	ACC.BOX	
28	68003784	EXTENSION TABLE	
29	270 085128	BOBBIN	
30	416436401	BUTTONHOLE OPENER / BRUSH	
31	416465601	BUTTONHOLE FOOT	
32	416538801	VINYL COVER	(6660, 6680 ONLY)
33	416538901	HARD COVER	(6699 ONLY)