



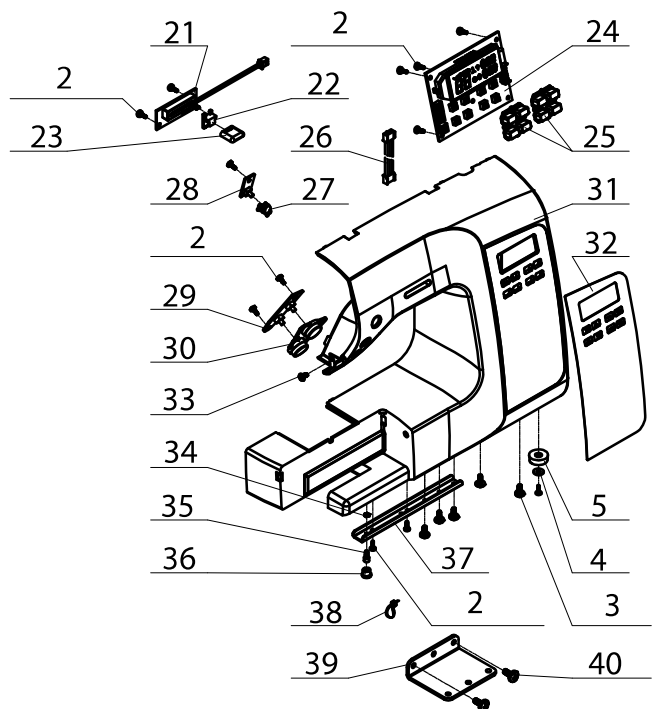
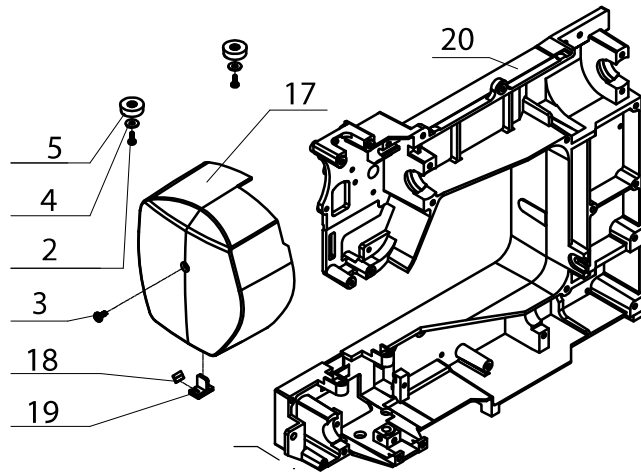
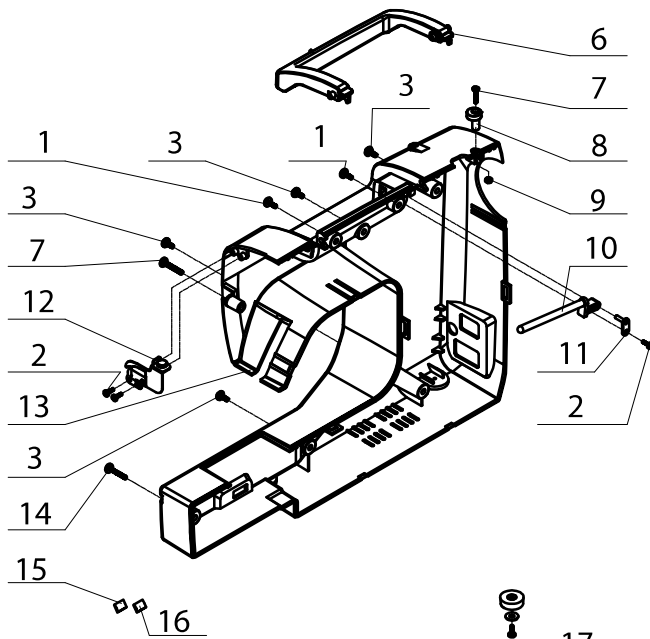
SINGER®

SC220

C620L

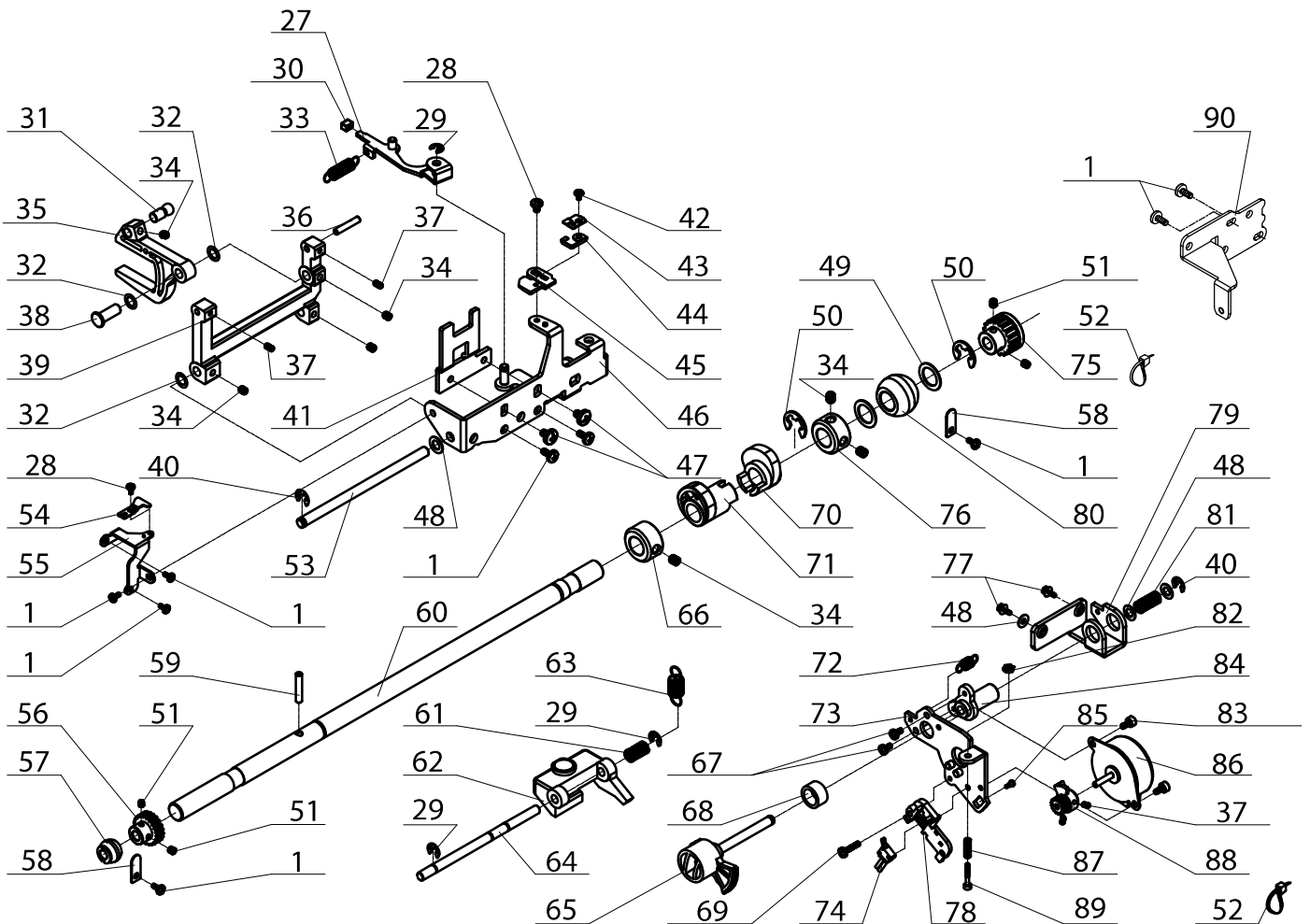
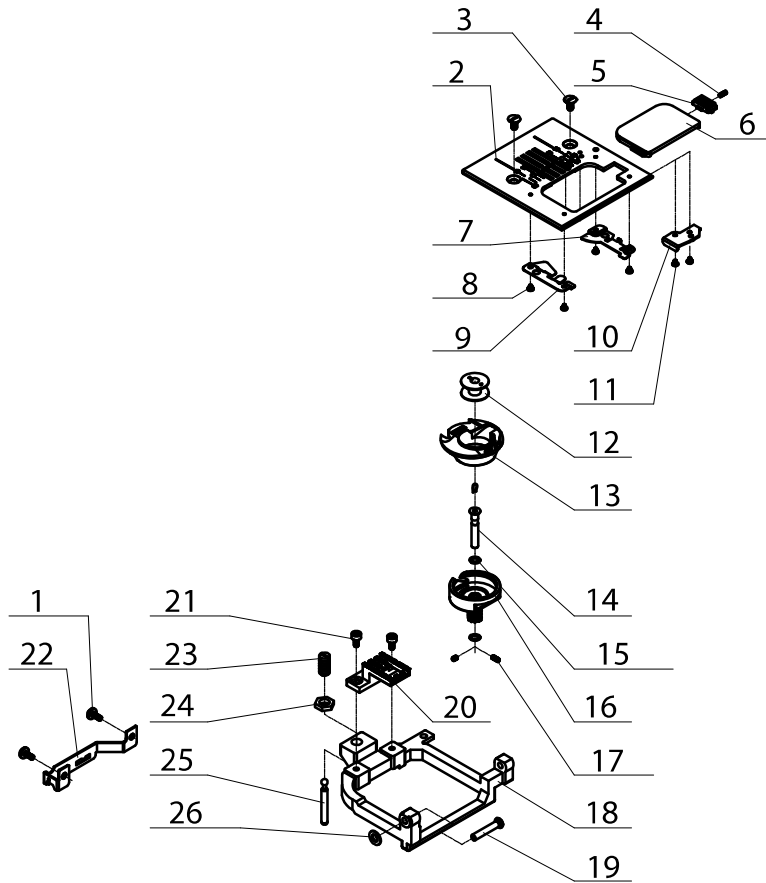
Liste de pièces
Lista de Piezas
Parts List

A



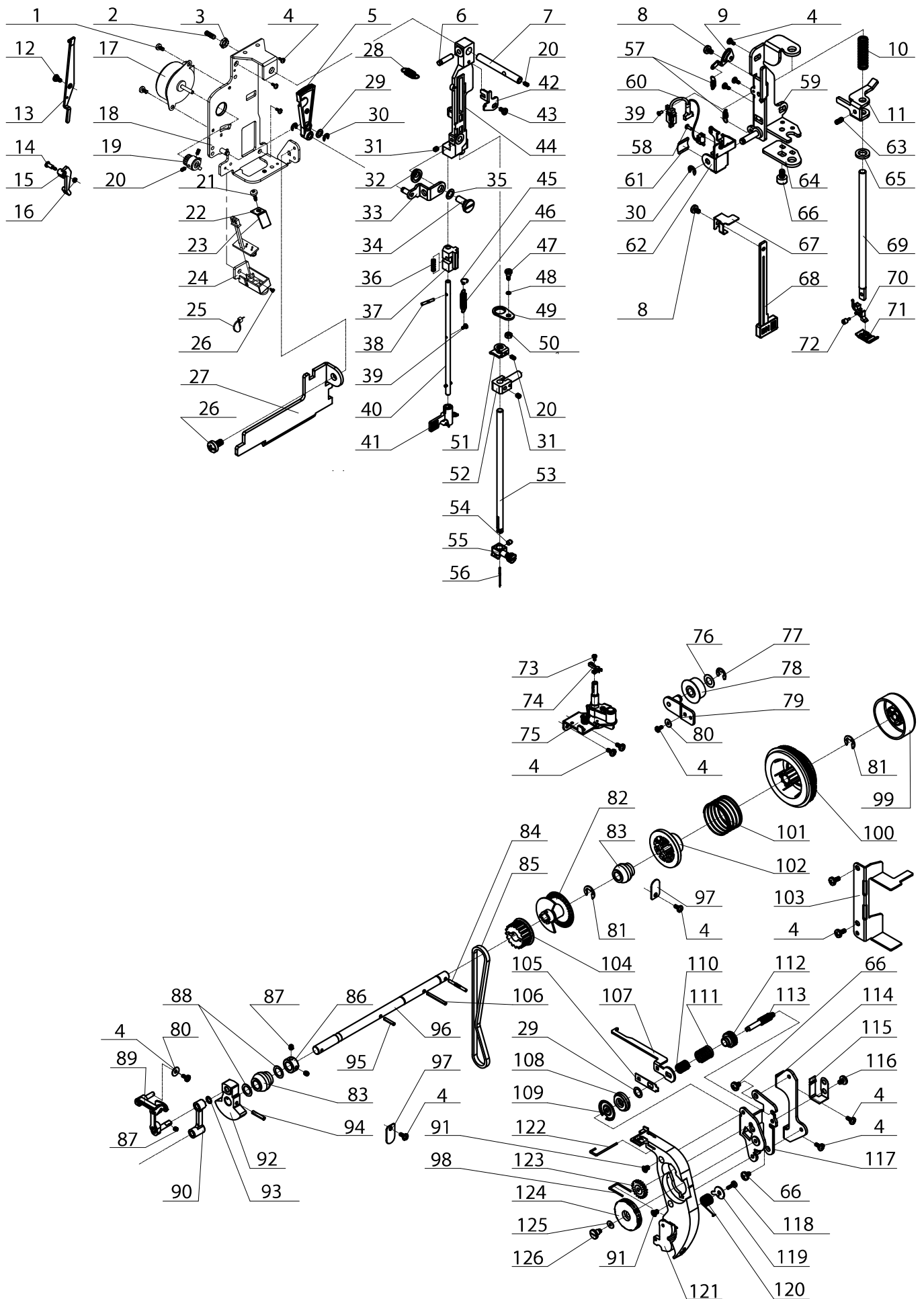
No	Part No	Part Name
1	68021142	Screw
2	68021144	Tapping screw
3	68021138	Screw
4	68021288	Flat washer
5	68022521	Fixed feet
6	68022522	Handle
7	68021095	Screw
8	68022524	Bobbin winder limit cam
9	68021203	Hex nut
10	68015666	Spool pin
11	68022527	spool pin fixing plate
12	68015671	Thread guider
13	68022530	Rear cover
14	68022532	Tapping Screw
15	68022534	Foam B
16	68022535	Foam
17	68022537	Face cover
18	SEE #19	Blade (Replaced by 68015728)
19	68015728	Thread cutter set
20		Machine body
21	68022539	Manual speed control module
22	68022546	Speed adjusting lever sleeve
23	68022547	Speed adjusting lever
24	68022550	Keyboard
25	68022551	Selection button
26	68022552	LED connecting terminal line
27	68022553	Button
28	68022554	Needle position button base board
29	68022557	Keyboard
30	68022564	Button
31	68022565	Front cover (SC220)
31	68022558	Front cover (Singer C620L)
32	68022869	Stitch Chart (Red)
32	68022871	Stitch Chart (Green)
32	68022872	Stitch Chart (Grey)
33	68021122	Screw
34	68021275	Nut
35	68022567	Adjusting foot
36	68022568	Adjusting foot
37	68022572	Metal assistance foot
38	68021094	Nylon cable ties
39	68022577	Assistance foot fixing rack
40	68021266	Screw

B

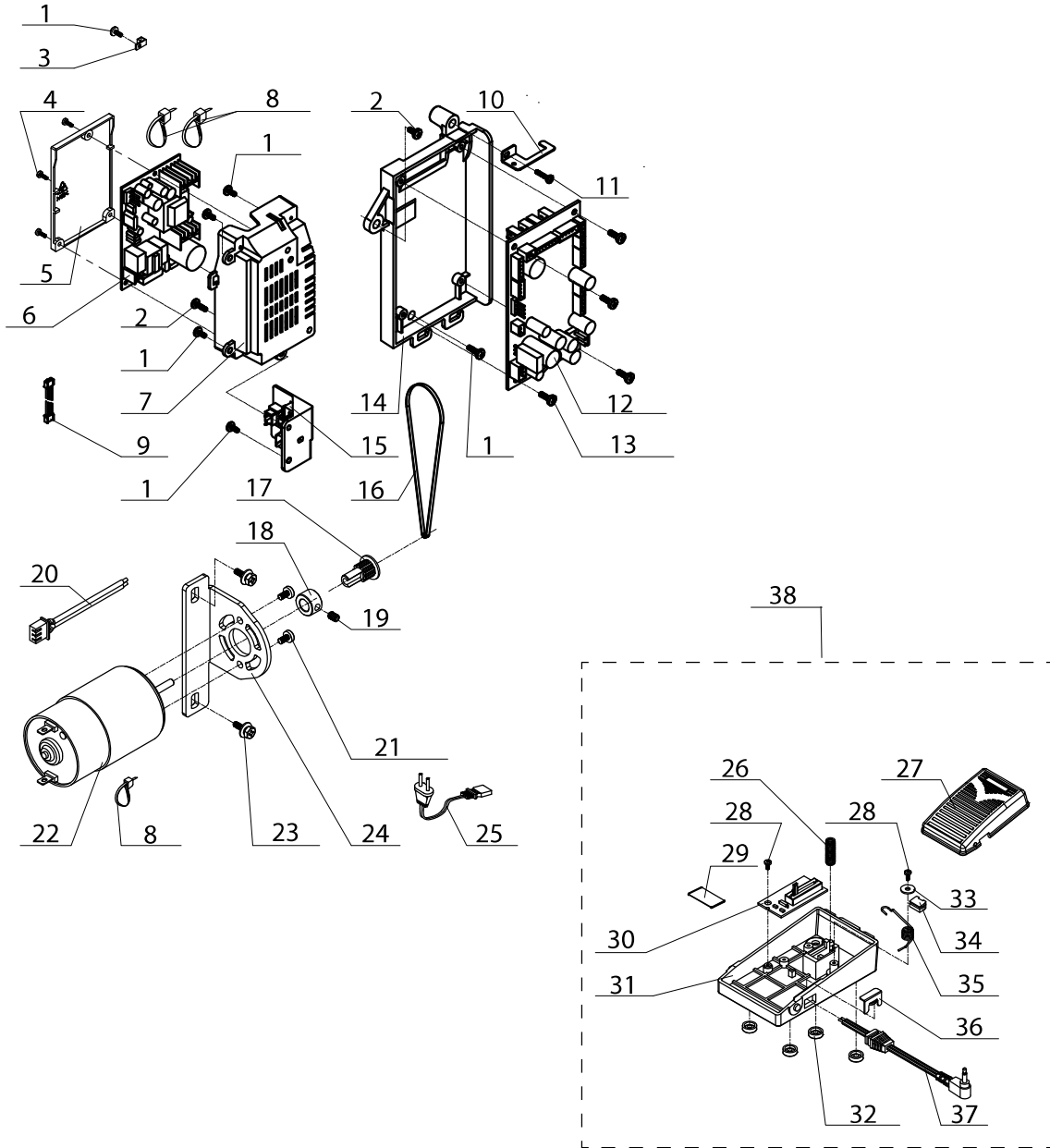


No	Part No	Part Name			
1	68021266	Screw	75	68022664	Lower shaft synchromesh gear
2	68015660	Needle plate set	76	68021259	Shaft sleeve
3	68021521	Needle plate screw	77	68022665	Screw with washer
4	SEE #2	Shuttle cover Spring (Replaced by 68015660)	78	68022666	FPM Switch fixing seat
5	SEE #2	Shuttle cover push button (Replaced by 68015660)	79	68022668	Needle bar support adjusting axle
6	68022681	Transparent shuttle cover (Also included in #2)	80	68022669	Ball bearing
7	SEE #2	Shuttle cover right guide plate (Replaced by 68015660)	81	68022670	Axle presser spring
8	SEE #2	Screw (Replaced by 68015660)	82	68021275	Nut
9	SEE #2	Transparent left guide plate (Replaced by 68015660)	83	68022684	Screw
10	SEE #2	Bottom thread positioning plate (Replaced by 68015660)	84	68022672	Stitch length seat shaft sleeve
11	SEE #2	Screw (Replaced by 68015660)	85	68022673	Limit screw
12	68021570	Bobbin	86	68022674	FPM Stepping motor
13	68015669	Horizontal shuttle bobbin case	87	68022677	Stitch length Spring
14	68022587	Horizontal shuttle inner axle	88	68022678	PM motor gear
15	68021014	Washer	89	68022679	Screw
16	68022590	Horizontal shuttle race	90	68022680	Bracket
17	68021299	Set screw			
18	68022591	Feed dog holder			
19	68022592	Feeding seat connecting pin			
20	68022593	Feed dog			
21	68022594	Screw			
22	68022595	Drop feed guide plate			
23	68022596	Feeding adjusting screw			
24	68022597	Fin thread nut			
25	68022599	Feeding adjusting pin			
26	68021246	Flat washer			
27	68022600	Drop feed lever			
28	68022601	Screw			
29	68021136	Snap ring			
30	68022602	Teeth drop push button			
31	68022603	Fork pin			
32	68022604	Washer			
33	68022613	Drop feed lever spring			
34	68021001	Set screw			
35	68022623	Feeding fork			
36	68022624	Feeding seat axle			
37	68020982	Set screw			
38	68022625	Feeding connecting rod support axle			
39	68022626	Feeding wrist			
40	68021278	Snap ring			
41	68022627	Needle plate assitant support plate			
42	68022629	Screw			
43	68022632	Shuttle Stop positioning plate			
44	68022633	Shuttle stop spring shrapnel			
45	68022635	Shuttle stop support			
46	68022636	Feeding platform fixing seat			
47	68021300	Screw			
48	68021232	Flat washer			
49	68021387	Washer			
50	68021563	Snap ring			
51	68021384	Set screw			
52	68021094	Nylon cable ties			
53	68022637	Feeding wrist connecting axle			
54	68022638	Shuttle limit plate			
55	68022640	Shuttle limit support			
56	68022641	Lower shaft gear			
57	68022642	Partiality ball bearing			
58	68022643	Lower shaft bearing board			
59	68021592	Spring pin			
60	68022644	Lower shaft			
61	68022645	Wrist press spring			
62	68022646	Top and Bottom wrist			
63	68022648	Feeding pull spring			
64	68022650	Shaft			
65	68022651	Feed regulator			
66	68021550	Sleeve			
67	68022652	Screw			
68	68022654	Feed regulator bush			
69	68022656	Screw			
70	68022657	Horizontal feeding cam			
71	68022659	Top and Bottom feeding cam			
72	68022661	Adjusting pull spring			
73	68022662	FPM Motor stand			
74	68022663	FPM Switch			

C

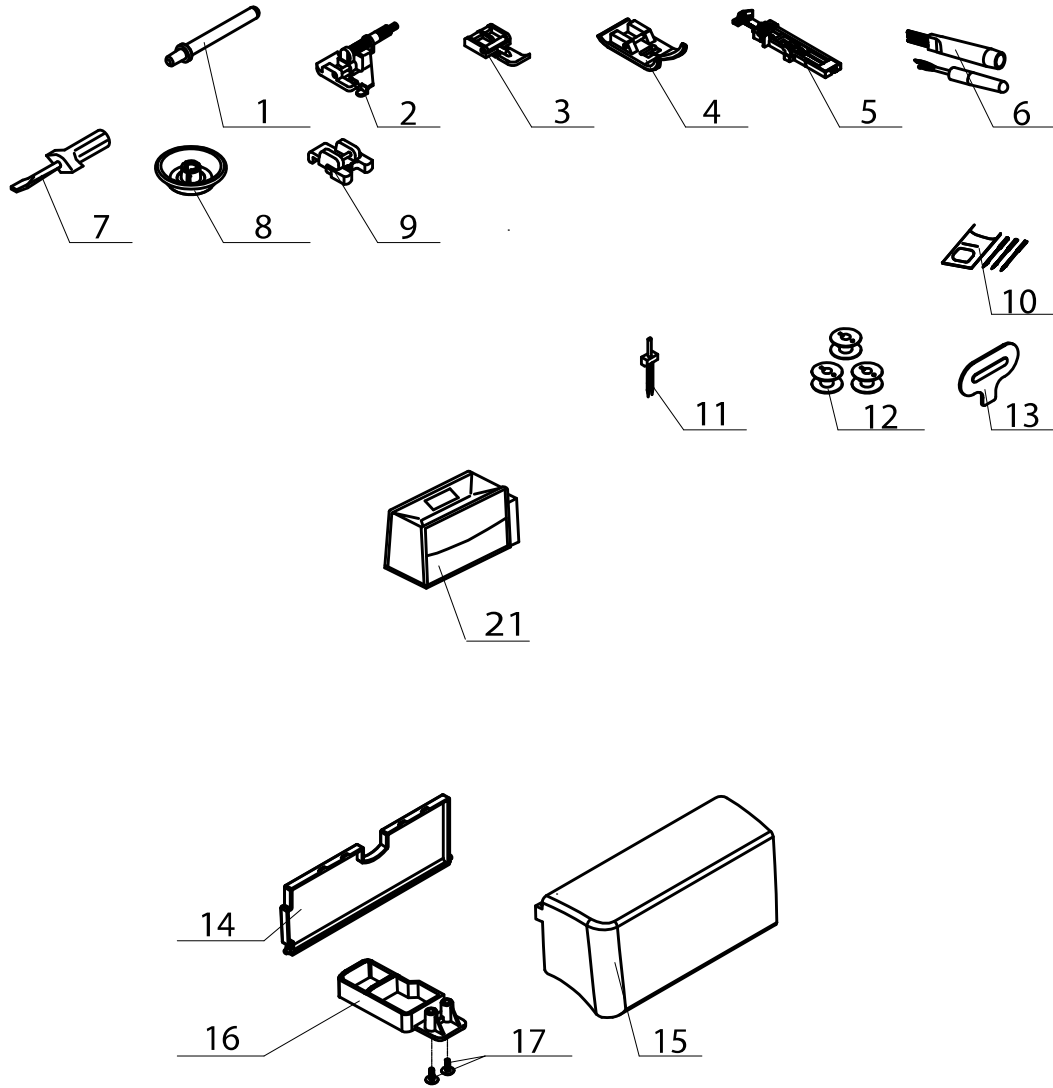


No	Part No	Part Name			
1	68022684	Screw	75	68022750	Bobbin winder
2	68021536	Set screw	76	68021569	Washer
3	68021275	Nut	77	68021563	Snap ring
4	68021266	Screw	78	68022751	Tension wheel
5	68022685	ZPM gear	79	68022752	Tension wheel fixing rack
6	68022688	Needle bar support inner axle	80	68021802	Flat washer
7	68022668	Needle bar support adjusting axle	81	68021087	Snap ring
8	68022601	Screw	82	68022754	Photoelectric coded disk
9	68022689	BH spring positioning plate	83	68021052	Upper shaft ball bearing
10	68022690	Pressure lever spring	84	68021091	Clutch pin
11	68022691	Pressure lever hold	85	68022756	Belt
12	68022655	Step screw	86	68021461	Stop collar
13	68022667	Presser foot lifter	87	68021384	Set screw
14	68022683	Presser foot fixing screw	88	68021053	Washer
15	68022687	Presser foot lifter	89	68022757	Thread take-up lever
16	68021203	Hex nut	90	68022758	Needle clamp connecting rod
17	68022693	FPM Stepping motor	91	68022760	Screw
18	68022695	Bracket	92	68022761	Upper shaft Cam
19	68022678	PM motor gear	93	68021014	Washer
20	68020982	Set screw	94	68021051	Spring pin
21	68021414	Tapping Screw	95	68022762	Spring pin
22	68022701	LED light insulating plate	96	68022764	Upper shaft
23	68022703	LED light	97	68022765	Axle
24	68022704	Double LED lamp holder	98	68022768	Sliding piece
25	68021094	Nylon cable ties	99	68022769	Hand wheel
26	68022652	Screw	100	68022770	Upper shaft belt pulley
27	68022707	Thread hook	101	68021073	Winding clutch spring
28	68022708	Needle bar support pull spring	102	68021060	Winding clutch sliding block
29	68022714	Flat washer	103	68022773	Side cover limit plate
30	68021136	Snap ring	104	68022774	Upper shaft synchromesh gear
31	68021001	Set screw	105	68022775	DT release plate
32	68022718	Washer	106	68021059	Spring pin
33	68022719	ZPM connecting plate	107	68022777	Tension release plate
34	68022720	Pin	108	68022778	Thread press piece B
35	68022721	Washer	109	68022780	Thread press piece A
36	68021013	Auto threader Spring	110	68021292	Spring
37	68021363	Auto threader positioning block	111	68022781	Spring
38	68020993	Auto threader round pin	112	68021295	Lifting nut
39	68020999	Screw	113	68022726	DT screw
40	68022722	Auto threader axle	114	68022745	Tension device support plate
41	68015676	Needle threading Guide	115	68022759	Leaf spring
42	68022723	Needle bar support fixing plate	116	68021300	Screw
43	68022724	Screw	117	68022772	DT table
44	68022725	Needle bar support rack	118	68021144	Tapping screw
45	68021000	Spring hook	119	68022776	Limit board
46	68020992	Spring	120	68022785	Spring
47	68022727	Step screw	121	68022786	Tension device
48	68022728	Nylon washer	122	68022793	Spring
49	68022730	Swing connecting rod	123	68022794	DT gear
50	68022731	Hex nut	124	68022797	DT knob
51	68020989	Automatic threader limit block	125	68022798	Washer
52	68020995	Needle bar hold (Group)	126	68022799	Step screw
53	68021006	Needle bar			
54	68021623	Screw			
55	68021371	Needle clamp (Group)			
56		SINGER Needle			
57	68022732	BH tension Spring			
58	68022733	Screw			
59	68022734	Pressure lever support			
60	68022735	BH switch			
61	68022738	Spring			
62	68022739	BH activate plate			
63	68021359	Set screw			
64	68022740	Pressure lever supporter			
65	68022741	Felt washer			
66	68022742	Screw			
67	68022743	BH Pull lever positioning plate			
68	68022746	BH pull lever			
69	68022747	Pressure lever			
70	68015732	Presser foot set			
71	SEE #70	Zigzag presser foot (Replaced by 68015732)			
72	68021378	Presser foot screw			
73	68022748	Screw			
74	68022749	Switch group			



No	Part No	Part Name
1	68021138	Screw
2	68021157	Screw
3	68021416	Cable clamp
4	68021089	Tapping Screw
5	68022801	Power board cover
6	68015720	Power Board
7	68022802	Power board fixing box
8	68021094	Nylon cable ties
9	68022803	Cable
10	68022804	Motor belt cover
11	68021493	Screw
12	68022873	Mainboard
13	68021144	Tapping screw
14	68022818	Mainboard fixing box
15	68022819	Socket module 220V
15	68022878	Socket module 120V
16	68022820	Synchronous belt
17	68022811	Motor pulley
18	68021022	Clamping ring
19	68021299	Set screw
20	68022813	DC motor leadwire
21	68022652	Screw
22	68015735	Motor
23	68022665	Screw with washer
24	68022815	DC Motor stand
25	412157801	Power wire (220V)
25	412157903	Power wire (120V)
25	412158002	Power wire (UK)
25	412158101	Power wire (AU)
25		Power wire (KR)
25		Power wire (AR)
25		Power wire (BR)
25		Power wire (CN)
25		Power wire (JP)
25		Power wire (LK)
26	SEE #38	Foot controller pressure spring
27	SEE #38	The upper cover of foot controller
28	SEE #38	Tapping screw
29	SEE #38	The specification label of foot controller
30	SEE #38	The control panel of foot controller
31	SEE #38	Foot controller
32	SEE #38	The foot pad of foot controller
33	SEE #38	Flat washer
34	SEE #38	The sliding block of foot controller
35	SEE #38	Foot controller torsional spring
36	SEE #38	The limit board of foot controller
37	SEE #38	The connecting line of foot controller
38	68015678	Foot controller CPL.

E



<u>No</u>	<u>Part No</u>	<u>Part Name</u>
1	68022817	Spool pin
2	68022823	Blind presser foot
3	68021081	Zipper presser foot
4	68022824	Intertexture presser foot
5	68022827	Automatic buttonhole presser foot
6	68021062	Buttonhole opener with brush
7	412381501	Screwdriver
8	68019597	Spool pin lid
9	68021074	Button presser foot
10	250052603	SINGER Needle (5 pcs)
11	250058003	SINGER Twin needle
12	68021570	Bobbin
13	68022874	Screwdriver for needle plate
14	68022875	Accessories box side cover
15	68022877	Accessories box
16	68022879	Accessories box mounting plate
17	68021249	Tapping Screw
21	68022881	Dust cover