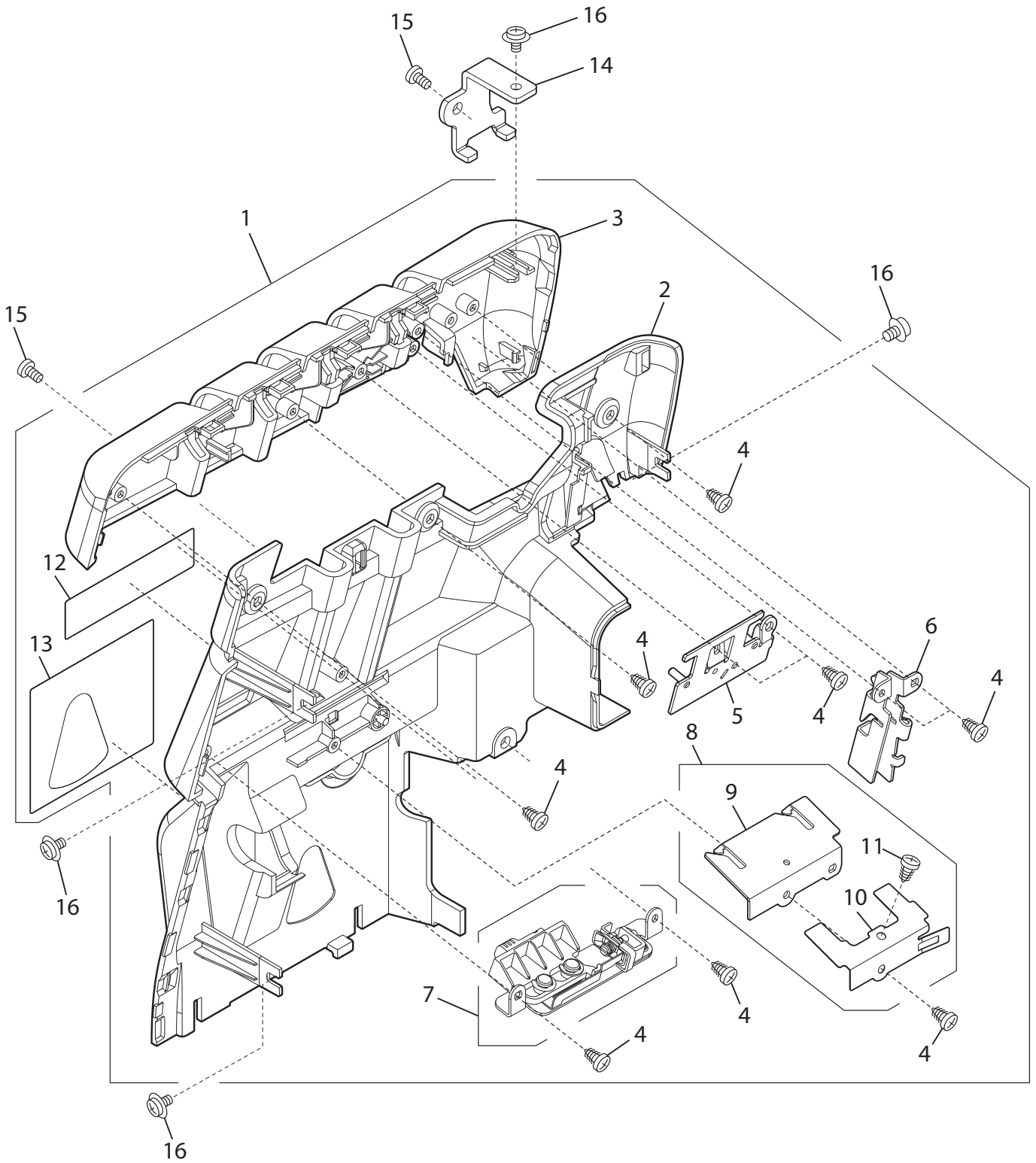




Parts list

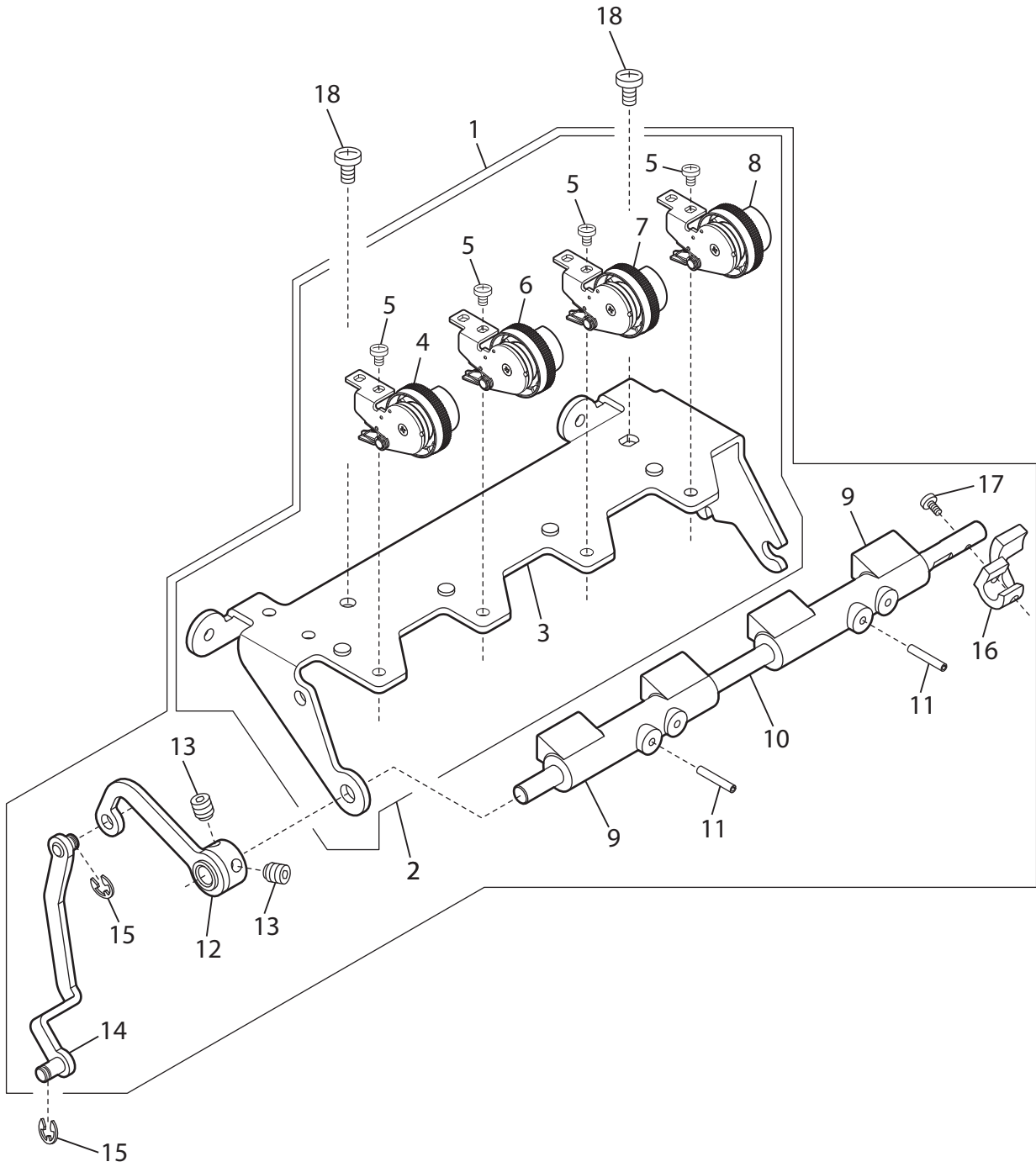
S0705

A



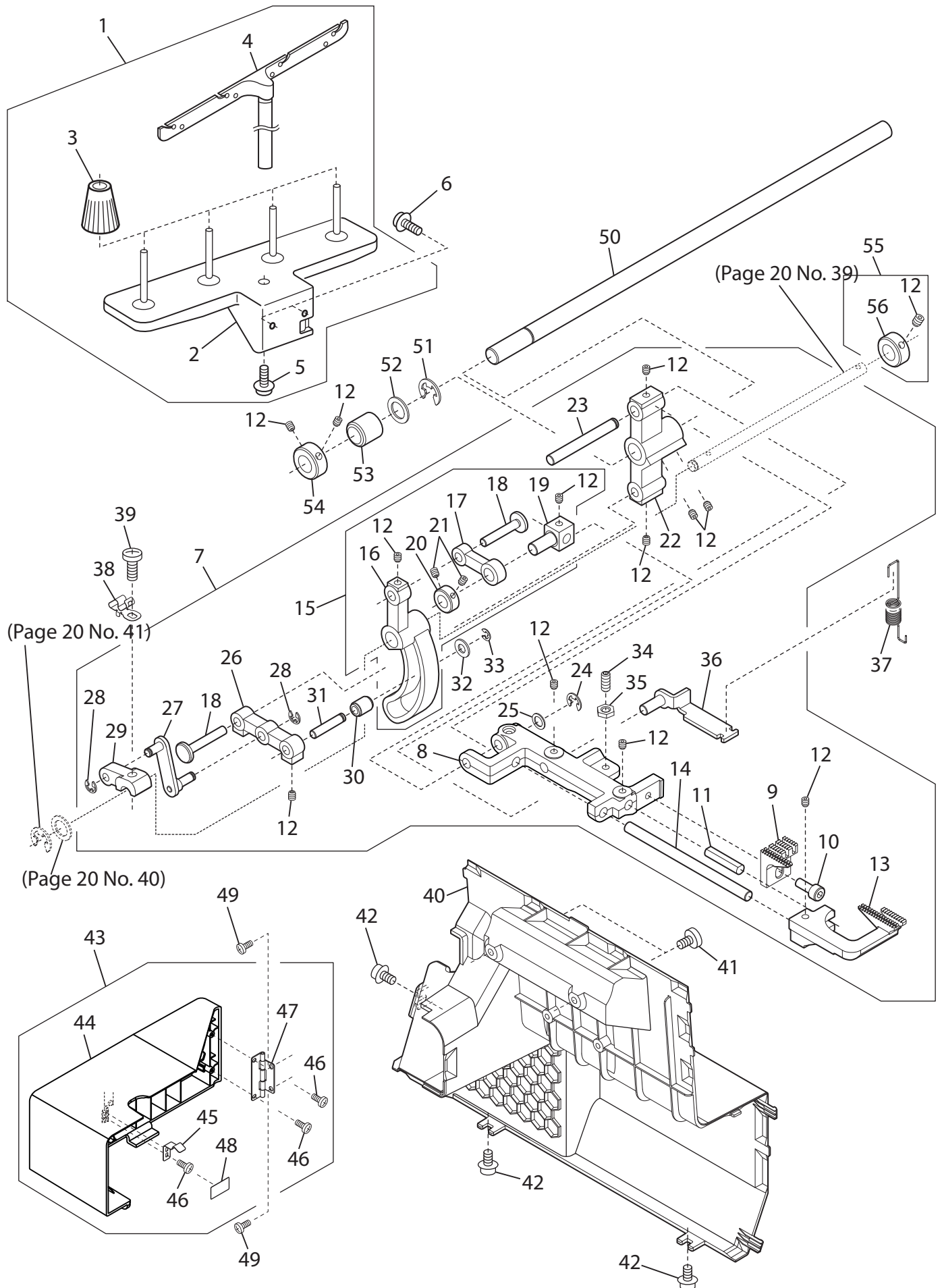
1	68014007	Front cover (unit) Singer
2		Front cover Singer
3		Front cover ornamental panel
4		Setscrew 3x8 (B)
5		Thread guide plate
6		Thread take-up lever cover
7	68014008	Pre-tension (unit)
8	68011888	Looper thread guide (unit)
9		Looper thread guide
10		Limit plate
11		Setscrew 3x3
12		Sticker
13		Sticker
14		Front cover set plate
15		Setscrew 4x8
16		Setscrew TP 4x6

B



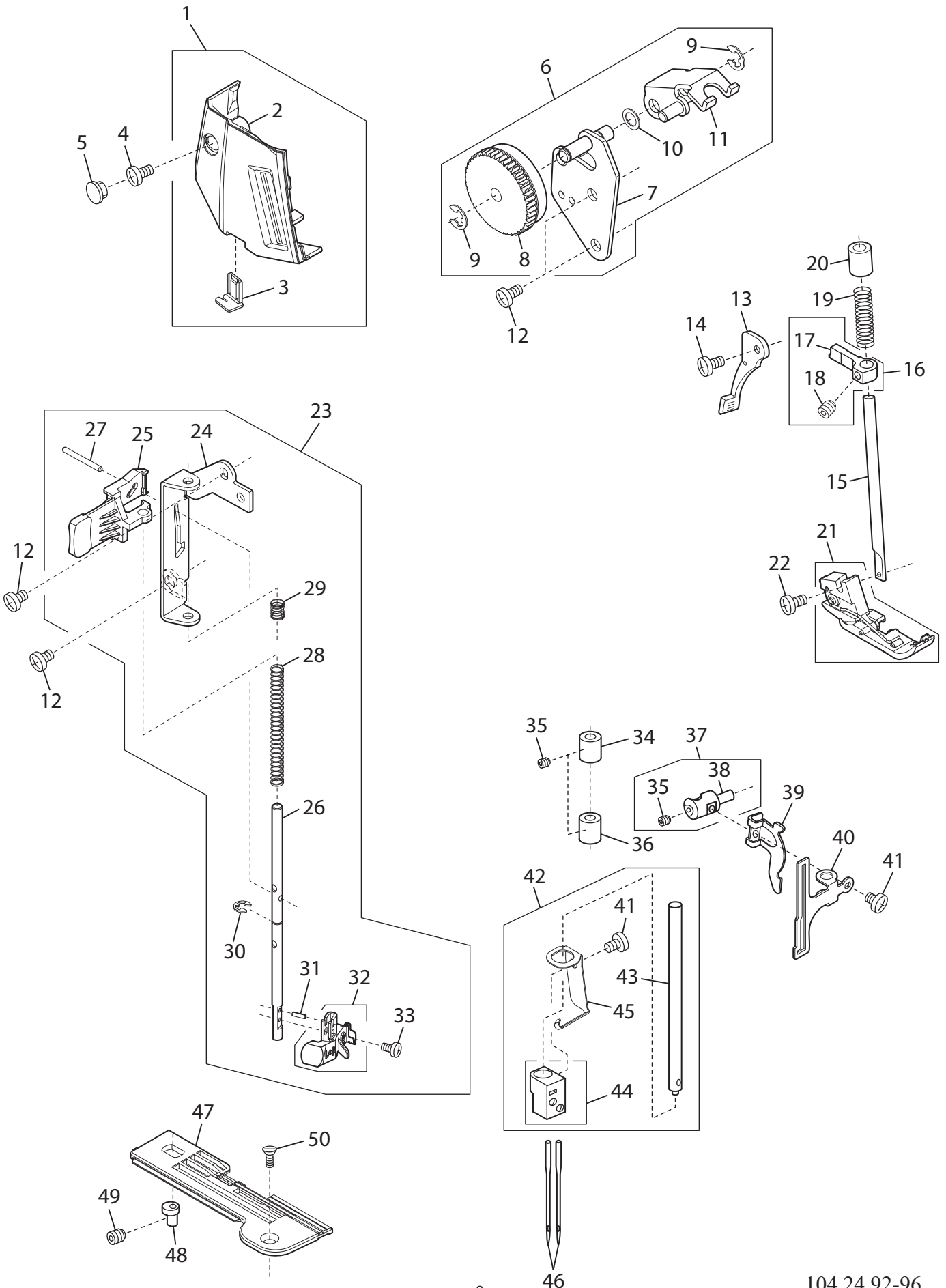
1		Thread tension (whole unit)
2		Thread tension (unit)
3		Thread tension set plate
4	68011789	Left needle thread tension dial (unit)
5		Setscrew 4x6
6	68011786	Right needle thread tension dial (unit)
7	68011787	Upper looper thread tension dial (unit)
8	68011788	Lower looper thread tension dial (unit)
9		Thread tension release cam
10		Thread tension release shaft
11		Spring pin 2x12
12		Thread tension release lever
13		Hexagonal socket screw 4x4
14		Thread tension release link
15		Snap ring E-3
16		Presser foot lifter switch cam
17		Setscrew 2.5x10
18		Setscrew 4x8

C



1	68012658	Spool stand (unit)
2		Spool stand
3	416078101	Spool holder
4	68012659	Thread guide bar (unit)
5		Setscrew TP 4x10
6		Setscrew 4x14
7		Feed base (unit)
8		Feed base
9	68011837	Main feed dog
10	68011790	Hexagonal socket bolt 4x10
11		Guide pin
12		Hexagonal socket screw 4x4
13	68011839	Sub feed dog
14		Feed bar
15	68023647	Sub feed drive arm (unit)
16		Sub feed drive arm
17		Feed bar link
18		Looper rod pin
19		Feed bar bracket
20		Ring 6
21		Hexagonal socket screw 3x3
22		Feed arm (L)
23		Feed arm shaft
24		Snap ring E-4
25		Washer FT50
26		FR rod
27		DF rod
28		Snap ring E-3
29		DF arm
30		Sub feed drive arm roller
31		Pin
32		Washer 4
33		Snap ring E-2.5
34		Hexagonal socket screw 4x10
35		Adjustable lock nut 4
36		Feed rock adjusting plate
37	68023648	Feed base spring
38		Differential limit spring
39		Setscrew 4x10
40		Rear cover
41		Setscrew 4x8
42		Setscrew TP 4x8
43	68013791	Side cover (unit) 120 V US
	68012803	Side cover (unit) EU 220-240V
44	68014017	Side cover
45		Side cover spring
46		Setscrew 3x10 (B)
47		Hinge (unit)
48		Caution sticker
49		Setscrew 4x8
50	68023224	Feed rock shaft
51		Snap ring E-7
52		Washer FT80
53	68023225	Main shaft bushing
54		Looper shaft ring
55	68023649	Ring 7 (unit)
56		Ring 7

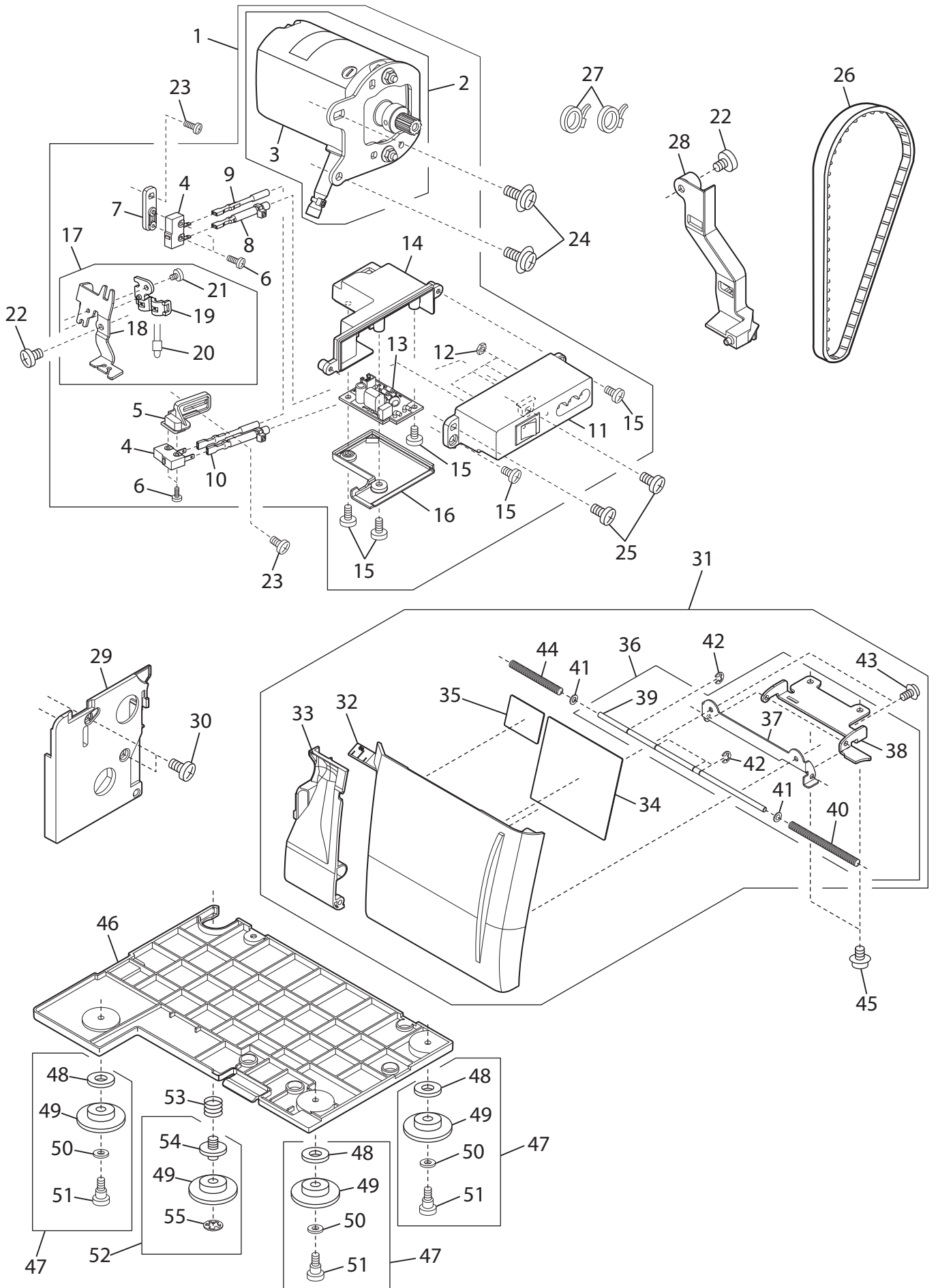
D



1	68012804	Face plate (unit)
2		Face plate
3	416044601	Thread cutter (unit)
4		Setscrew 4x8
5		Cap
6		Pressure adjusting dial base (unit)
7		Pressure adjusting dial base
8	68014009	Pressure adjusting dial Singer
9		Snap ring E-5
10		Washer FT60
11		Pressure adjusting lever
12		Setscrew 4x6
13	68011803	Presser foot lifter
14		Hinge screw
15		Presser bar
16	68023223	Presser bar supporter (unit)
17		Presser bar supporter
18		Hexagonal socket screw 5x5
19		Presser bar spring
20		Presser bar bushing (upper)
21	68011762	Presser foot (unit)
22	68011871	Setscrew
23		Needle threader (unit)
24		Threader shaft guide plate
25		Threader lever
26		Threader shaft
27		Guide pin E-2x20-CH
28		Threader shaft spring
29		Threader lever spring
30		Snap ring E-3
31		Spring pin 1.6x5.5
32	68011881	Needle threader plate (unit)
33		Setscrew 2x3.5
34	68012527	Needle bar upper bushing
35		Hexagonal socket screw 4x4
36		Needle bar lower bushing
37		Needle bar stud (unit)
38		Needle bar stud
39	68012528	Thread take-up lever
40	68012529	Threader positioning plate
41		Setscrew 3x6
42	68023163	Needle bar (unit)
43		Needle bar
44	68011831	Needle clamp (unit)
45	68011833	Needle bar thread guide
46		Needle
47	68011851	Needle plate (unit)
48	68011821	Eccentric pin
49		Hexagonal socket screw 3x4
50	68011805	Plain head screw

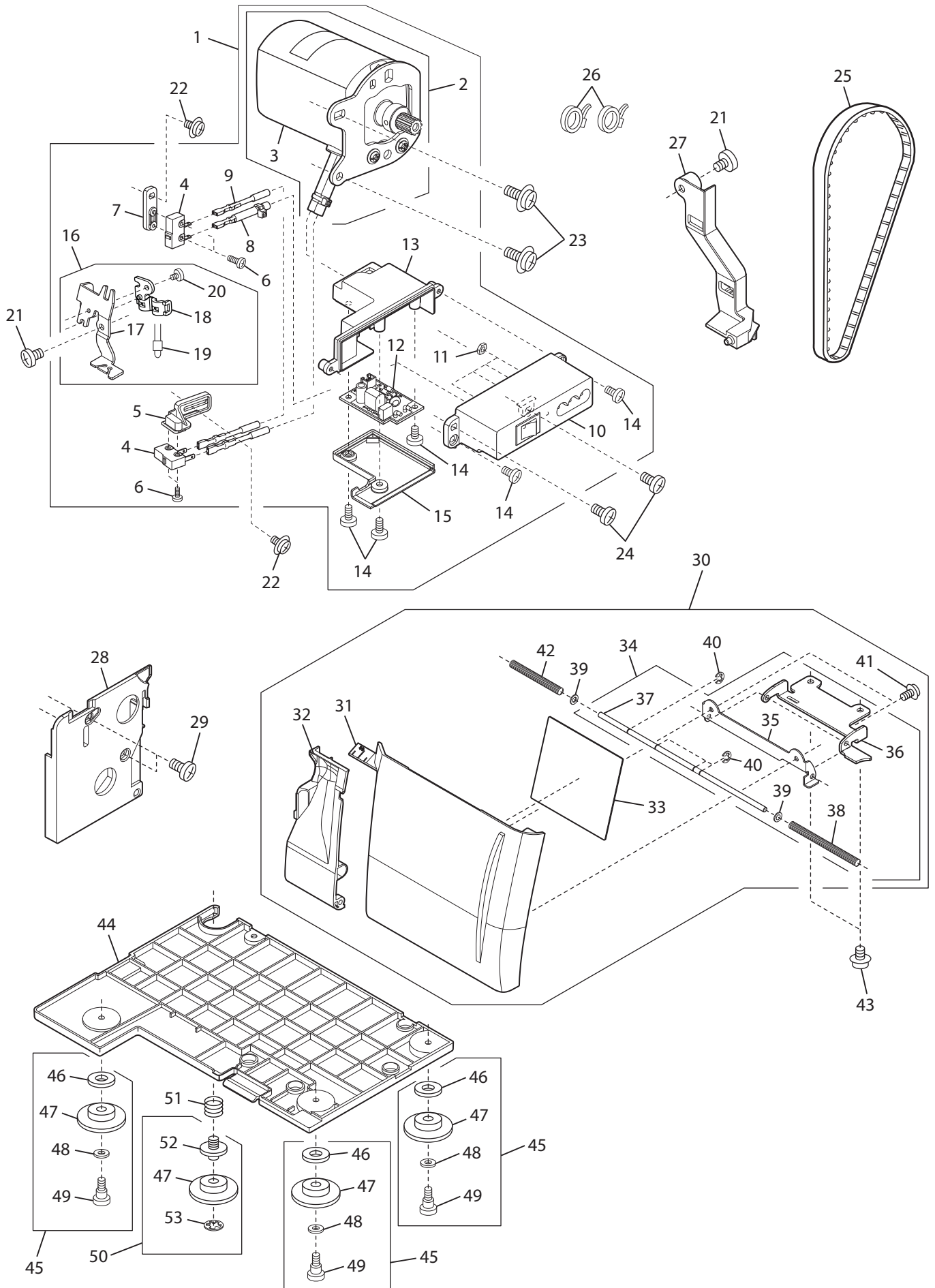
E

120 Volt



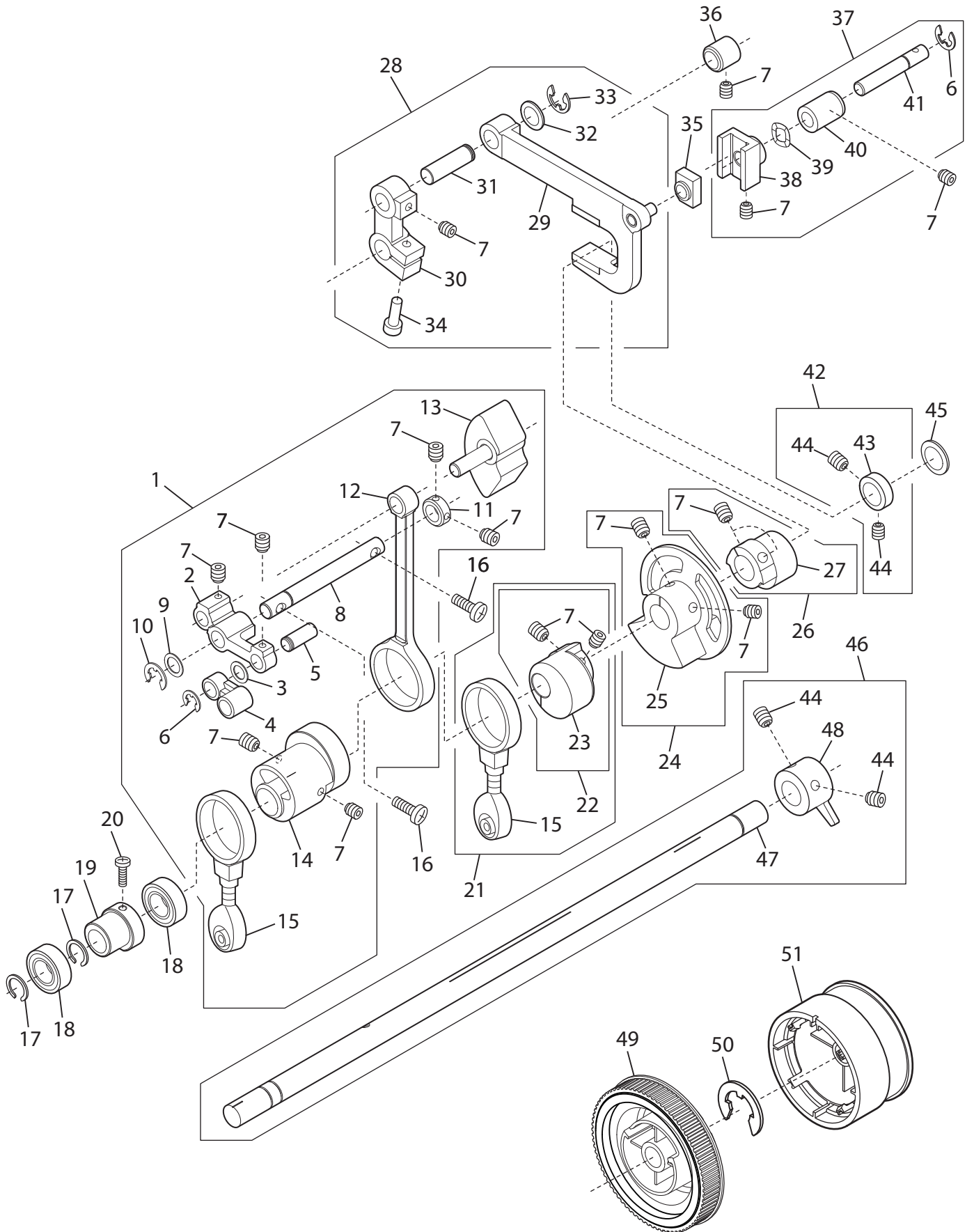
1	68011882	Machine socket (whole unit) 120v
2	68011884	Motor (unit) 120v
3		Motor 120v
4		Micro switch (unit)
5		Switch set plate 1
6		Setscrew 2.3x12 (B)
7		Switch set plate 2
8		Relay cable RF (unit)
9		Relay cable FF (unit)
10		Relay cable RF (unit)
11	68012672	Machine socket (unit)120v
12		Nut 3-1-5.5
13	68011800	Printed circuit board C (unit) 120V
14		Machine socket cover
15		Setscrew 3x8 (B)
16		Printed circuit board C case cover
17	68023166	Needle thread guide (unit)
18	68023229	Needle thread guide
19		LED holder
20	68020789	LED (unit)
21		Setscrew 3x4
22		Setscrew 4x6
23		Setscrew TP 3x6
24		Setscrew TP 5x10
25		Setscrew 4x8
26	68011799	Syncro belt B107XXL
27		Cord binder
28		Cord guide
29		Looper cover guide
30		Setscrew 3x6
31	68014011	Looper cover (unit)Singer 120 V
32	68014013	Looper cover Singer
33	68014014	Auxiliary looper cover Singer
34		Sticker
35		Caution sticker
36	68023200	Looper cover hinge (unit)
37		Looper cover support plate
38		Looper cover hinge
39		Looper cover shaft
40	68023230	Looper cover spring
41		Washer 4
42		Snap ring E-3
43		Setscrew 3x8 (B)
44	68023231	Auxiliary looper cover spring
45		Setscrew TP 4x6
46		Base plate
47	68011868	Rubber foot (unit)
48		Washer
49		Rubber foot
50		Washer 5
51		Setscrew
52	68011868	Rubber foot (unit)
53		Spring
54		Adjusting screw
55		Snap ring CS-4

220 v / 240 v



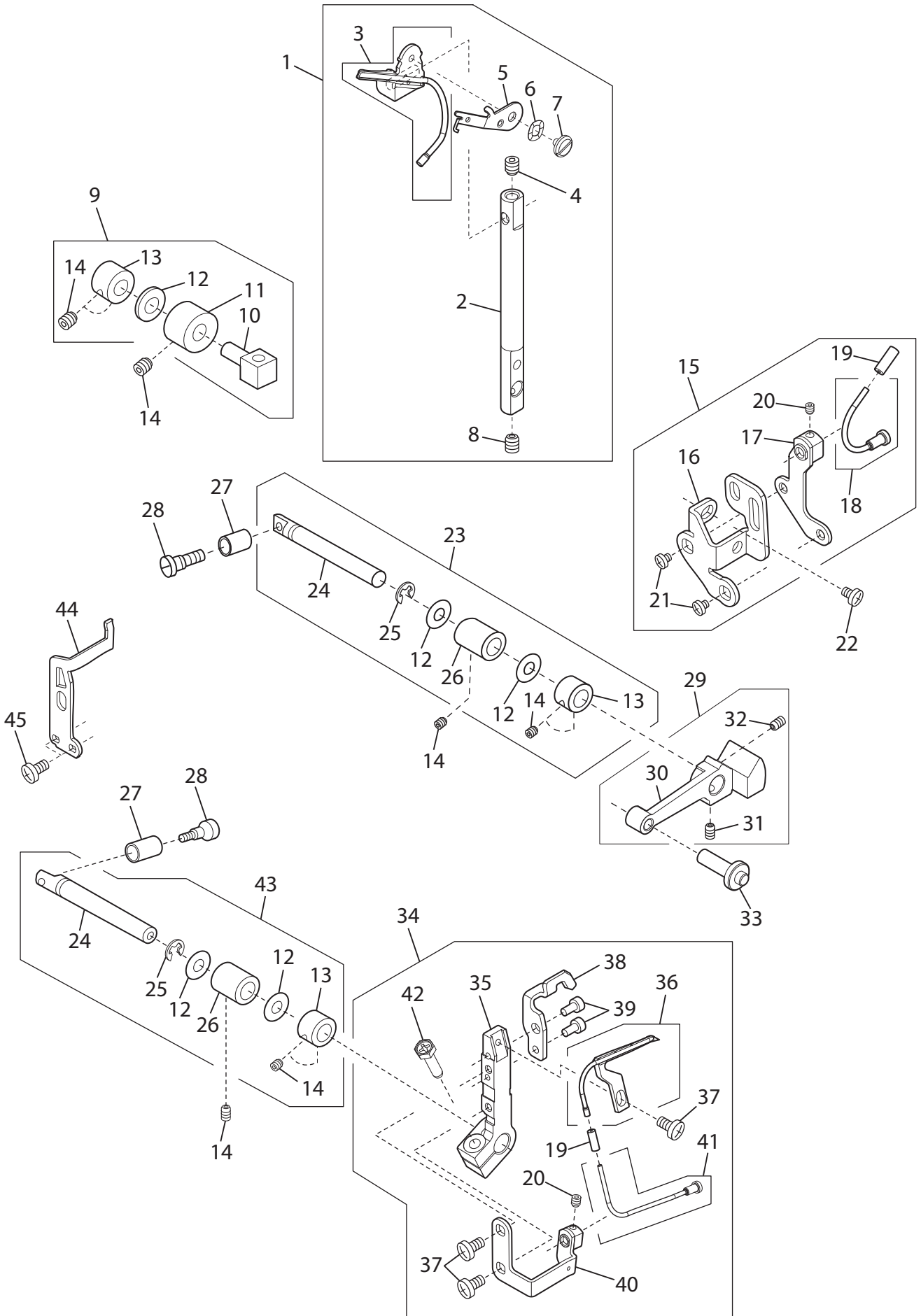
1	68011889	Machine socket (whole unit) (Continental Europe)
1	68011739	Machine socket (whole unit) (Australia)
2	68011885	Motor (unit) (Continental Europe)
2	68011886	Motor (unit) (Australia)
3		Motor (Continental Europe)
3		Motor (Australia)
4		Micro switch (unit)
5		Switch set plate 1
6		Setscrew 2.3x12 (B)
7		Switch set plate 2
8		Relay cable RF (unit)
9		Relay cable FF (unit)
10	68012822	Machine socket (unit) 220-240V
11		Nut 3-1-5.5
12	68012823	Printed circuit board C (unit) 220V 240V
13		Machine socket cover
14		Setscrew 3x8 (B)
15		Printed circuit board C case cover
16		Needle thread guide (unit)
17		Needle thread guide
18		LED holder
19		LED (unit)
20		Setscrew 3x4
21		Setscrew 4x6
22		Setscrew TP 3x6
23		Setscrew TP 5x10
24		Setscrew 4x8
25	68011799	Syncro belt B107XXL
26		Cord binder
27		Cord guide
28		Looper cover guide
29		Setscrew 3x6
30	68014015	Looper cover (unit) EU
31	68014013	Looper cover
32	68014014	Auxiliary looper cover
33		Sticker
34	68023200	Looper cover hinge (unit)
35		Looper cover support plate
36		Looper cover hinge
37		Looper cover shaft
38	68023230	Looper cover spring
39		Washer 4
40		Snap ring E-3
41		Setscrew 3x8 (B)
42	68023231	Auxiliary looper cover spring
43		Setscrew TP 4x6
44		Base plate
45	68011868	Rubber foot (unit)
46		Washer
47		Rubber foot
48		Washer 5
49		Setscrew
50	68011870	Rubber foot (unit)
51		Spring
52		Adjusting screw
53		Snap ring CS-4

F



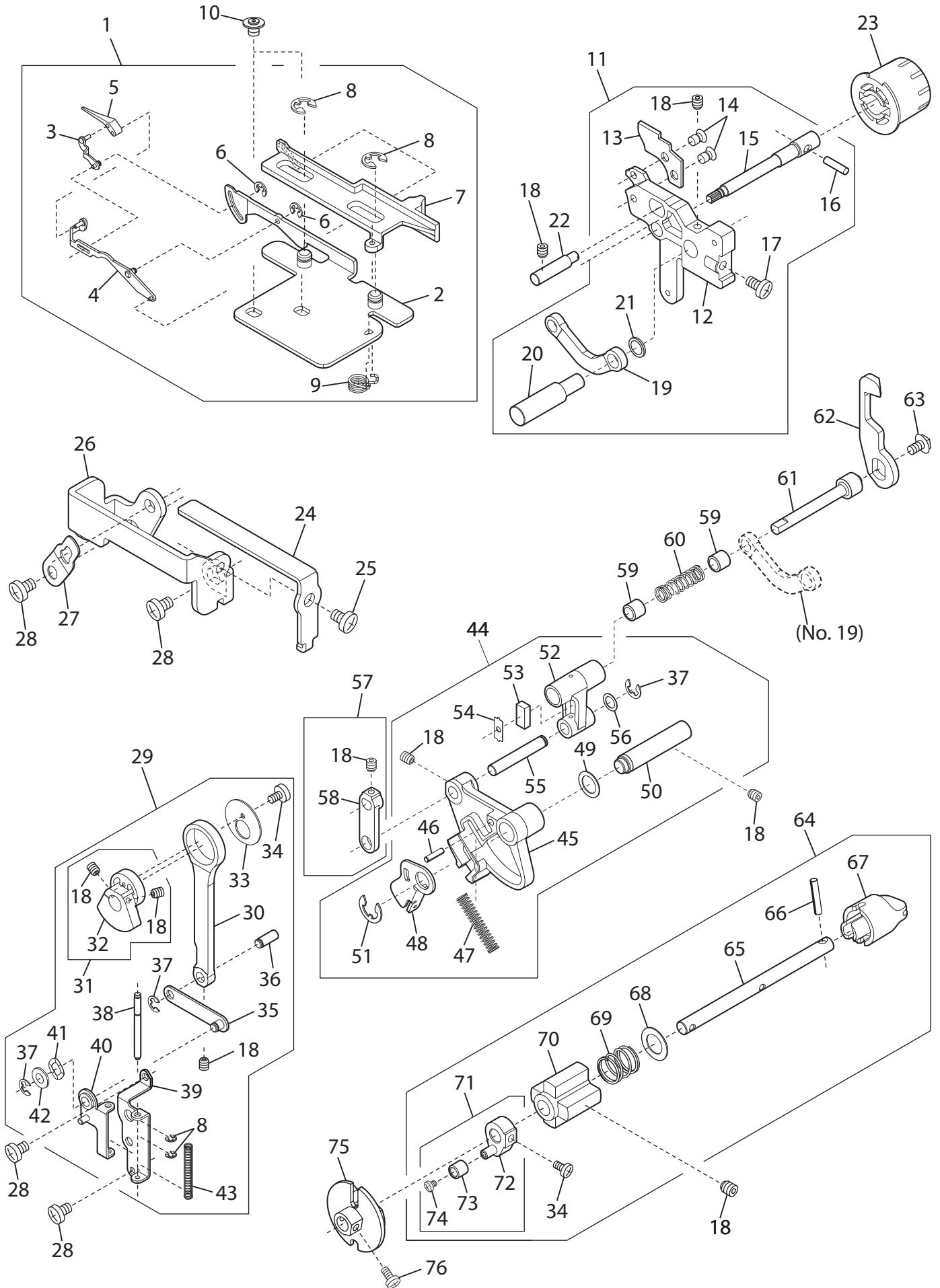
1	68023209	Needle bar crank (unit)
2		Needle bar crank
3		Washer
4		Needle bar link
5		Link pin
6		Snap ring E-5
7		Hexagonal socket screw 4x4
8		Needle bar crank shaft
9		Washer
10		Snap ring E-7
11		Looper shaft ring
12		Needle bar crank rod
13		Needle bar balancer
14		Needle bar cam
15		Looper cam ring
16		Setscrew 4x14
17		Snap ring crescent
18	68004653	Bearing
19		Feed lifting cam
20		Setscrew 3x16
21		Upper looper cam (whole unit)
22		Upper looper cam (unit)
23	68023234	Upper looper cam
24	68023286	Main shaft fixing plate (unit)
25		Main shaft fixing plate
26		Feed cam (unit)
27	68023235	Feed cam
28	68023206	Feed fork (unit)
29		Feed fork
30		Feed arm (R)
31		Link pin
32		Washer FT70
33		Snap ring E-6
34		Hexagonal socket bolt 4x12
35	68011832	Slide block
36	68023225	Main shaft bushing
37	68012674	Feed regulator (unit)
38		Feed regulator
39		Spring washer 6
40		Feed shaft bushing (front)
41		Feed regulator shaft
42	68023217	Ring (unit)
43		Ring
44		Hexagonal socket screw 5x5
45		Washer
46	68023222	Main shaft (unit)
47		Main shaft
48		Balance weight
49	68014016	Belt wheel (unit) Singer
50		Snap ring E-9
51	68012843	Handwheel

G

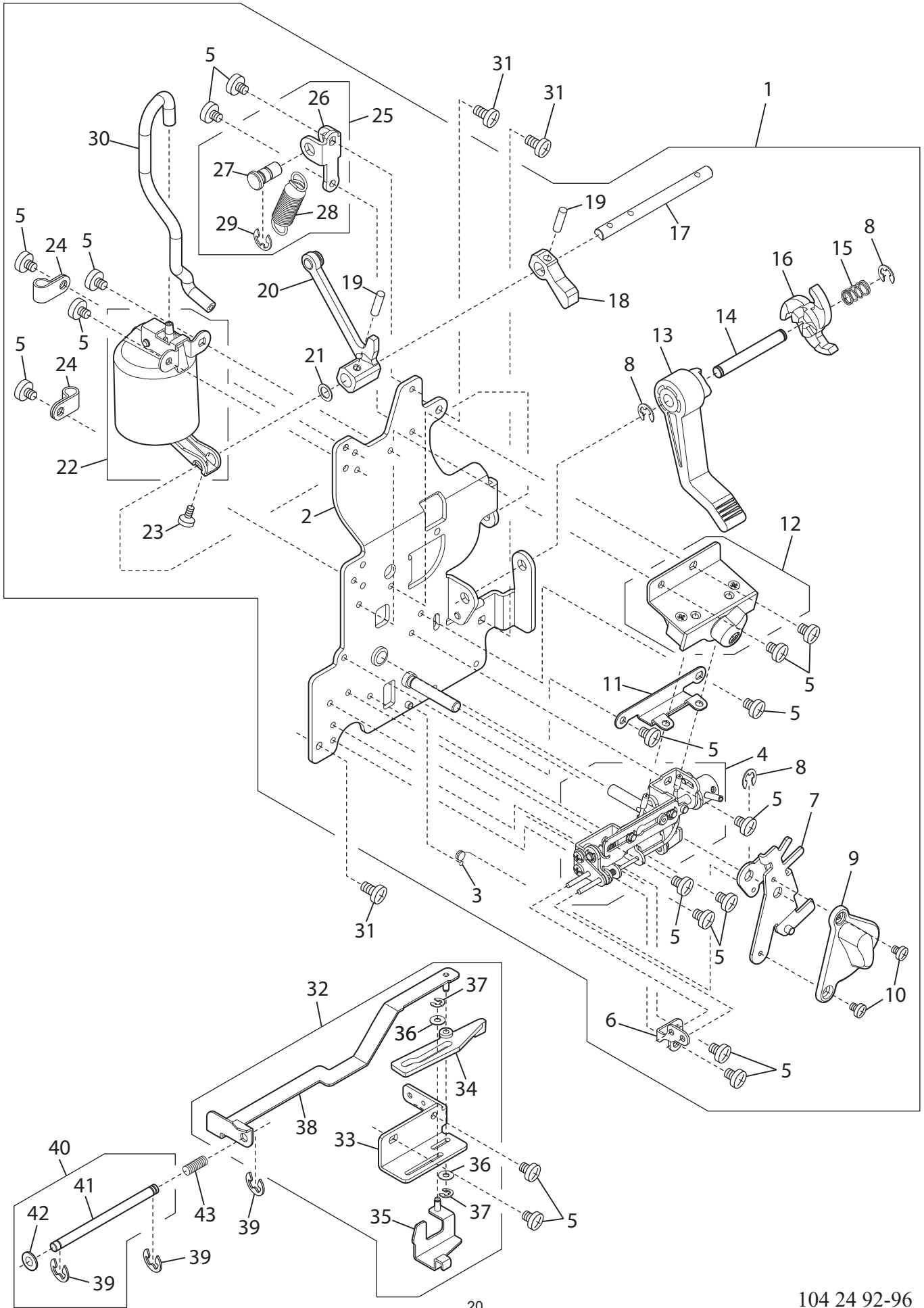


1		Upper looper shaft (unit)
2		Upper looper shaft
3	68011846	Upper looper (unit)
4		Hexagonal socket screw 4x4
5	68011835	Spreader
6		Spring washer 4
7		Spreader setscrew
8		Hexagonal socket screw 3x6
9	68012530	Upper looper shaft guide (unit)
10		Upper looper shaft guide
11		Bushing
12		Washer
13		Looper shaft ring
14		Hexagonal socket screw 4x4
15	68012531	Looper thread take-up lever (unit)
16		Looper thread take-up lever
17		Upper looper connecting pipe set plate
18	68011847	Upper looper connecting pipe (unit)
19	68011845	Tube1x3 (L=8□ (50/pack)
20		Hexagonal socket screw 3x4
21		Setscrew 3x4
22		Setscrew 3.5x6
23	68023237	Upper looper crank shaft (unit)
24		Upper looper crank shaft
25		Snap ring E-6
26		Bushing
27		Crank spacer
28		Crank setscrew
29	68012532	Upper looper driving arm (unit)
30		Upper looper driving arm
31		Hexagonal socket screw 5x5
32		Hexagonal socket screw 5x5 (WP)
33		Upper looper pin
34	68012533	Lower looper base (unit)
35		Lower looper base
36	68011849	Lower looper (unit)
37		Setscrew 3x6
38	68011835	Needle guard (rear)
39		Hexagonal socket bolt 3x6
40		Lower looper connecting pipe arm
41	68011850	Lower looper connecting pipe (unit)
42		Bolt 4x16
43	68023227	Lower looper crank shaft (unit)
44	68011841	Needle guard (front)
45		Setscrew 4x8

H

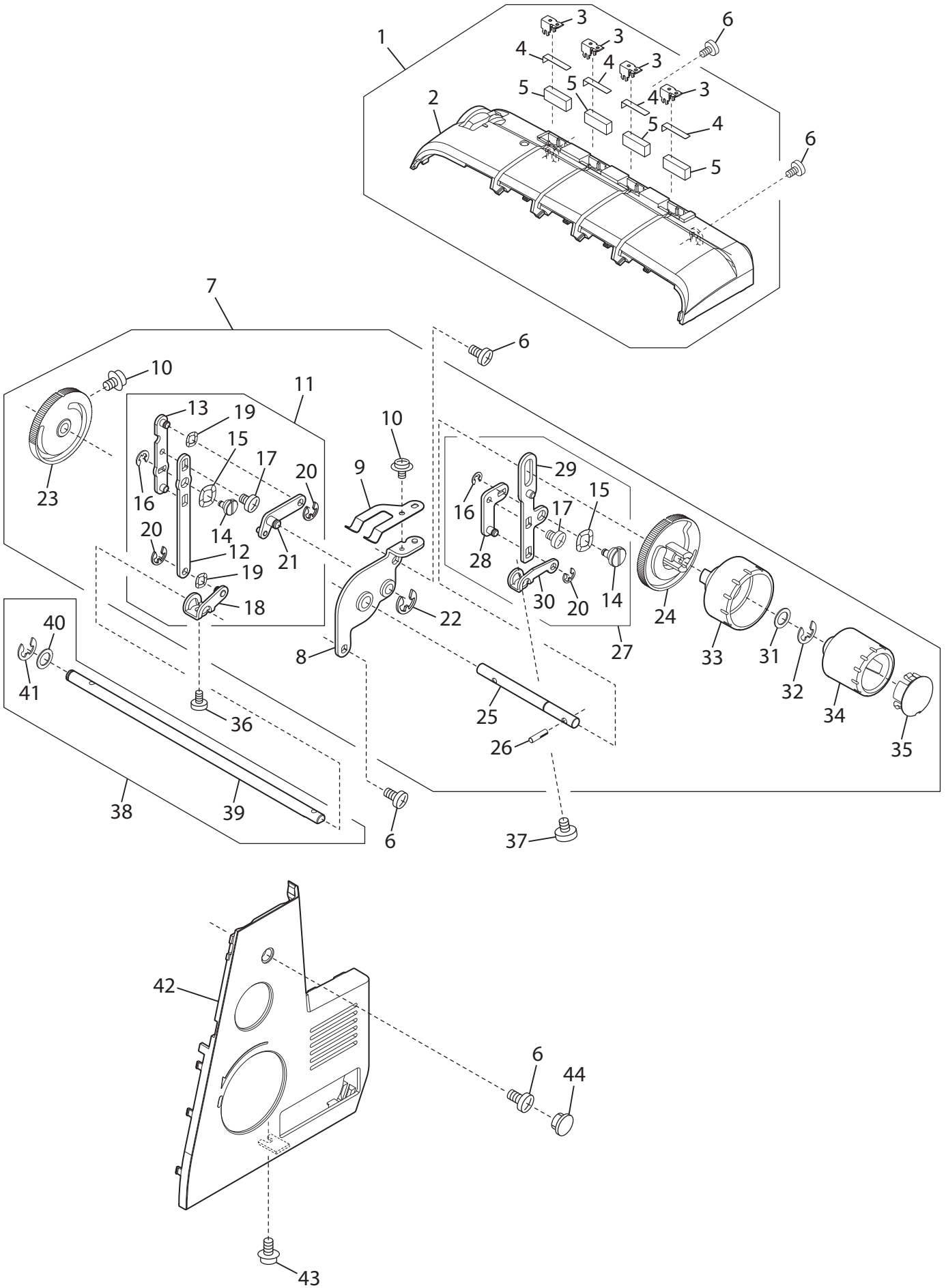


			55		Upper knife drive arm shaft	H
1	68012676	Chaining finger (unit)	56		Washer	
2		Chaining finger set plate	57	68023346	Upper knife support plate (unit)	
3		Chaining finger pin	58		Upper knife support plate	
4		Chaining finger support plate	59	68012537	Upper knife supporter bushing	
5	68012534	Chaining finger	60		Spring	
6		Snap ring E-1.2	61		Upper knife supporter	
7		Chaining finger switch knob	62	68011814	Upper knife	
8		Snap ring E-3	63	68011793	Hexagonal setscrew TP 4x8	
9		Spring	64	68023392	Upper knife release shaft (unit)	
10		Thin-head setscrew TP 3x4	65		Upper knife release shaft	
11	68023339	Lower knife bracket (unit)	66		Spring pin 3x16	
12	68023242	Lower knife bracket	67	68023397	Upper knife release knob	
13	68011817	Lower knife	68		Washer FT90	
14		Setscrew 4x6	69		Spring	
15		Cutting width adjusting shaft	70		Bushing	
16		Spring pin 3x12	71	68023398	Upper knife release arm (unit)	
17		Setscrew 4x8	72		Upper knife release arm	
18		Hexagonal socket screw 4x4	73		Upper knife release arm roller	
19		Upper knife rod support arm	74		Setscrew 2.5x3	
20		Upper knife rod support shaft	75	68023401	Upper knife release cam	
21		Washer	76		Setscrew 3x10	
22	68023238	Lower knife bracket shaft				
23	68011844	Cutting width adjusting dial				
24		Spring				
25		Setscrew 3x4				
26		Side cover spring support plate				
27		Cutting width adjusting stopper				
28		Setscrew 4x6				
29	68023340	Upper knife rod (unit)				
30		Upper knife rod				
31	68023342	Upper knife drive cam (unit)				
32		Upper knife drive cam				
33		Upper knife rod limit plate				
34		Setscrew 3x8				
35		Upper knife rod support arm				
36		Upper knife rod pin				
37		Snap ring E-5				
38		Upper knife rod support shaft				
39		Upper knife drive shaft support plate				
40		Upper knife rod support plate				
41		Spring washer 6				
42		Washer 6				
43		Spring				
44	68023344	Upper knife drive arm (unit)				
45		Upper knife drive arm				
46		Spring pin 3x12				
47		Spring				
48		Upper knife release plate				
49		Washer				
50		Upper knife drive shaft				
51		Snap ring E-8				
52		Upper knife drive arm				
53		Felt				
54		Felt holder				



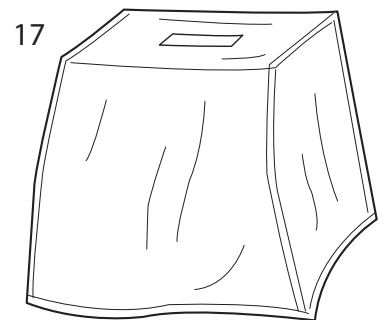
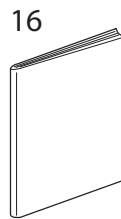
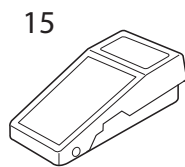
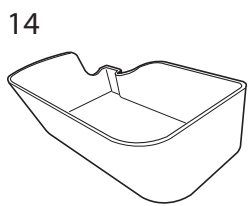
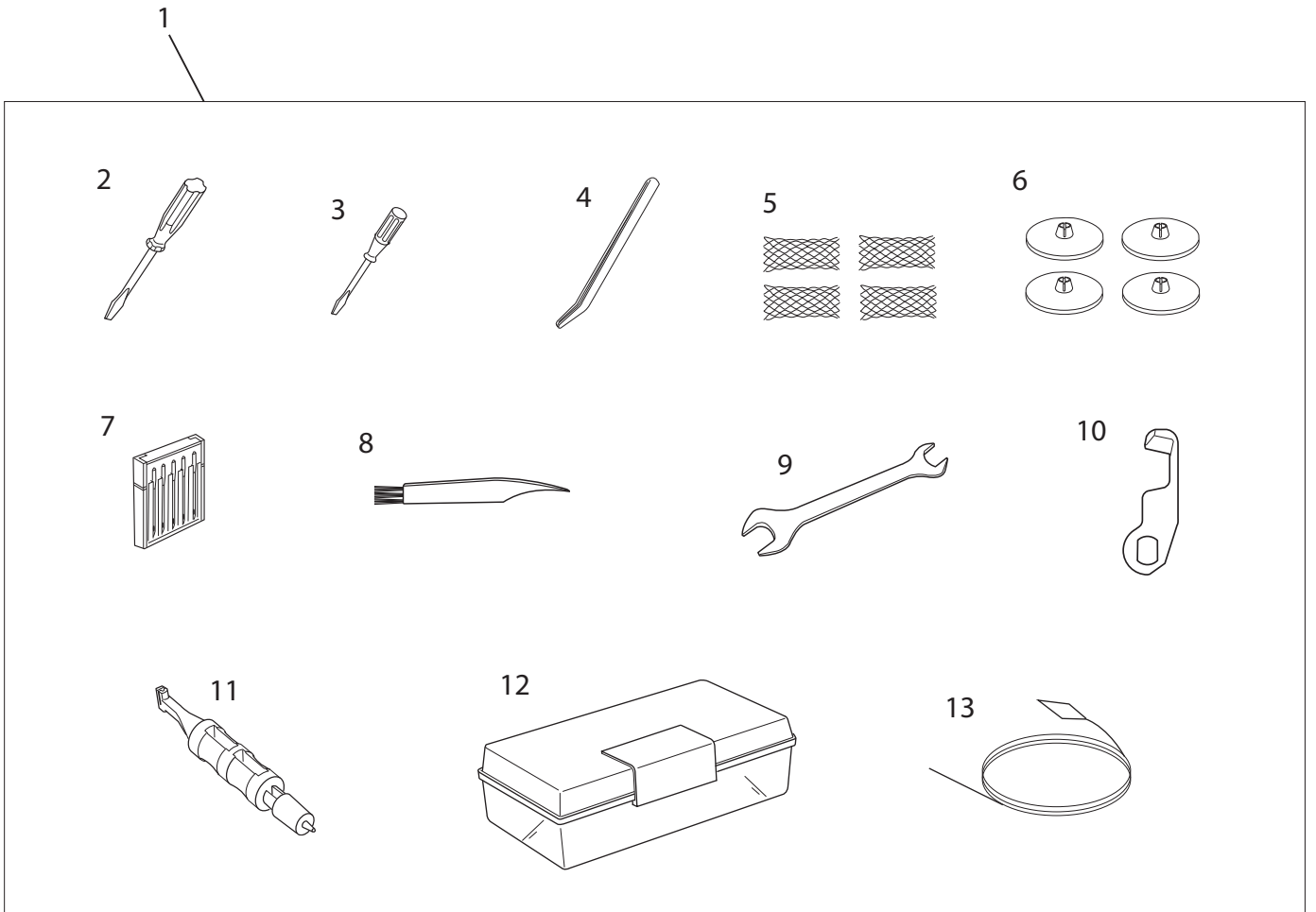
1	68011852	Looper threader (air) (unit)
2		Looper threader set plate
3		Spring
4	68012538	Slide plate supporter (unit)
5		Setscrew 4x5
6		Looper thread take-up lever guide
7		Looper threader connecting lever
8		Snap ring E-5
9		Looper threader switch lever
10		Setscrew 3x3
11	68012539	Pipe supporter
12	68011879	Threader hole plate (unit)
13	68011843	Looper threader lever
14		Looper threader lever shaft
15		Spring
16		Middle arm
17		Piston drive shaft
18		Piston return arm
19		Spring pin 3x12
20		Piston drive arm
21		Washer FT70
22	68011880	Tank (unit)
23		Setscrew 3.5x8
24		Nylon clip ACC-2
25	68023402	Piston drive spring set plate (unit)
26		Piston drive spring set plate
27		Piston drive spring pin
28		Piston drive spring
29		Snap ring E-6
30	68011797	Tube
31		Setscrew 4x8
32	68023404	Cover detecting base (unit)
33		Cover detecting base
34		Detecting lever
35		Looper cover detecting arm
36		Washer 3
37		Snap ring E-2
38		Side cover detecting rod
39		Snap ring E-4
40	68023405	Side cover detecting shaft (unit)
41		Side cover detecting shaft
42		Washer 5
43		Spring

J



1	68012845	Top cover (unit)
2		Top cover
3	68012543	Thread guide cover
4	68012544	Thread guide spring
5	68012545	Cushion
6		Setscrew 4x8
7	68012846	Adjusting dial (unit)
8		Adjusting dial set plate
9		Spring
10		Setscrew TP 3x6
11	68023408	Differential feed adjusting rod (unit)
12		Differential feed adjusting rod 1
13		Differential feed adjusting rod 2
14		Stitch length adjusting pin
15		Spring washer 6
16		Snap ring E-2.5
17		Setscrew 4x5
18		Differential feed adjusting arm
19		Spring washer 4
20		Snap ring E-3
21		Differential feed adjusting link
22		Snap ring E-4
23		Differential feed adjusting cam
24		Feed regulator cam
25		Adjusting dial shaft
26		Spring pin 3x12 (K)
27	68023410	Stitch length adjusting rod (unit)
28		Stitch length adjusting rod 1
29		Stitch length adjusting rod 2
30		Stitch length adjusting arm
31		Washer FT60
32		Snap ring E-5
33		Stitch length dial
34		Differential feed dial
35		Cap
36		Setscrew 3x6
37		Setscrew 4x6
38	68023411	Differential feed adjusting shaft (unit)
39		Differential feed adjusting shaft
40		Washer FT70
41		Snap ring E-6
42	68012848	Belt cover
43		Setscrew TP 4x8
44		Cap

K



1		Standard accessories
2		Screwdriver (large)
3	412289001	Screwdriver (small)
4	416373101	Tweezers
5	416383901	Net
6	416078401	Spool holder cap (large)
7	620100396	Needle size 75
	620100496	Needle size 90
8	416040901	Lint brush
9	68011815	Double-ended spanner
10	68011814	Upper knife
11	68011816	Needle holder/spreader pin
12		Accessory box
13	68011818	Looper threading wire (Looper threader)
14	68023384	Waste chip box
15	68011856	Foot control (Continental Europe)
	68011866	Foot control (UK)
		Foot control (Australia)
	68011823	Foot control (120 V) US
16		Instruction manual
17	68011820	Soft Cover