



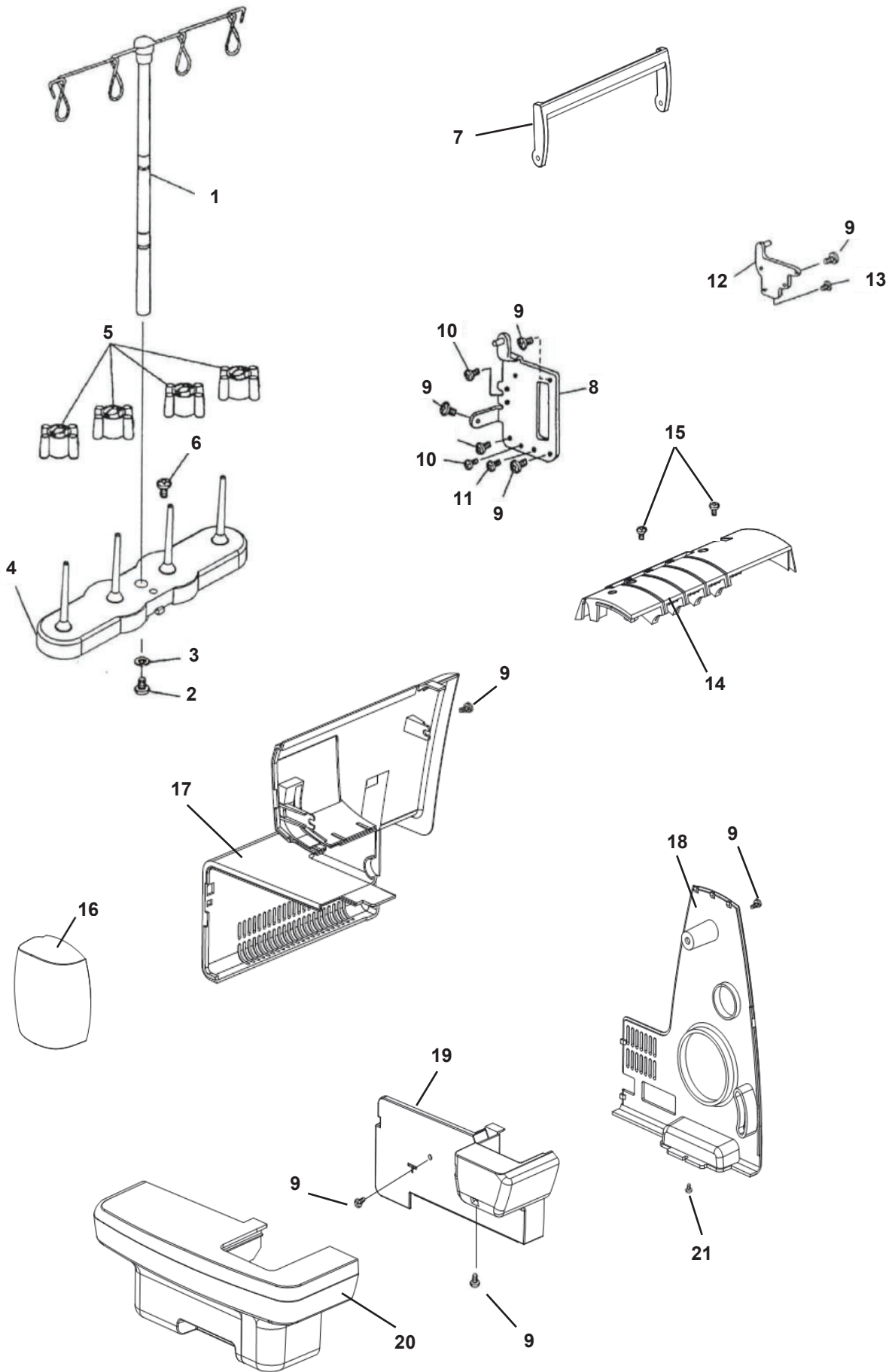
SINGER®

S0100

S0105

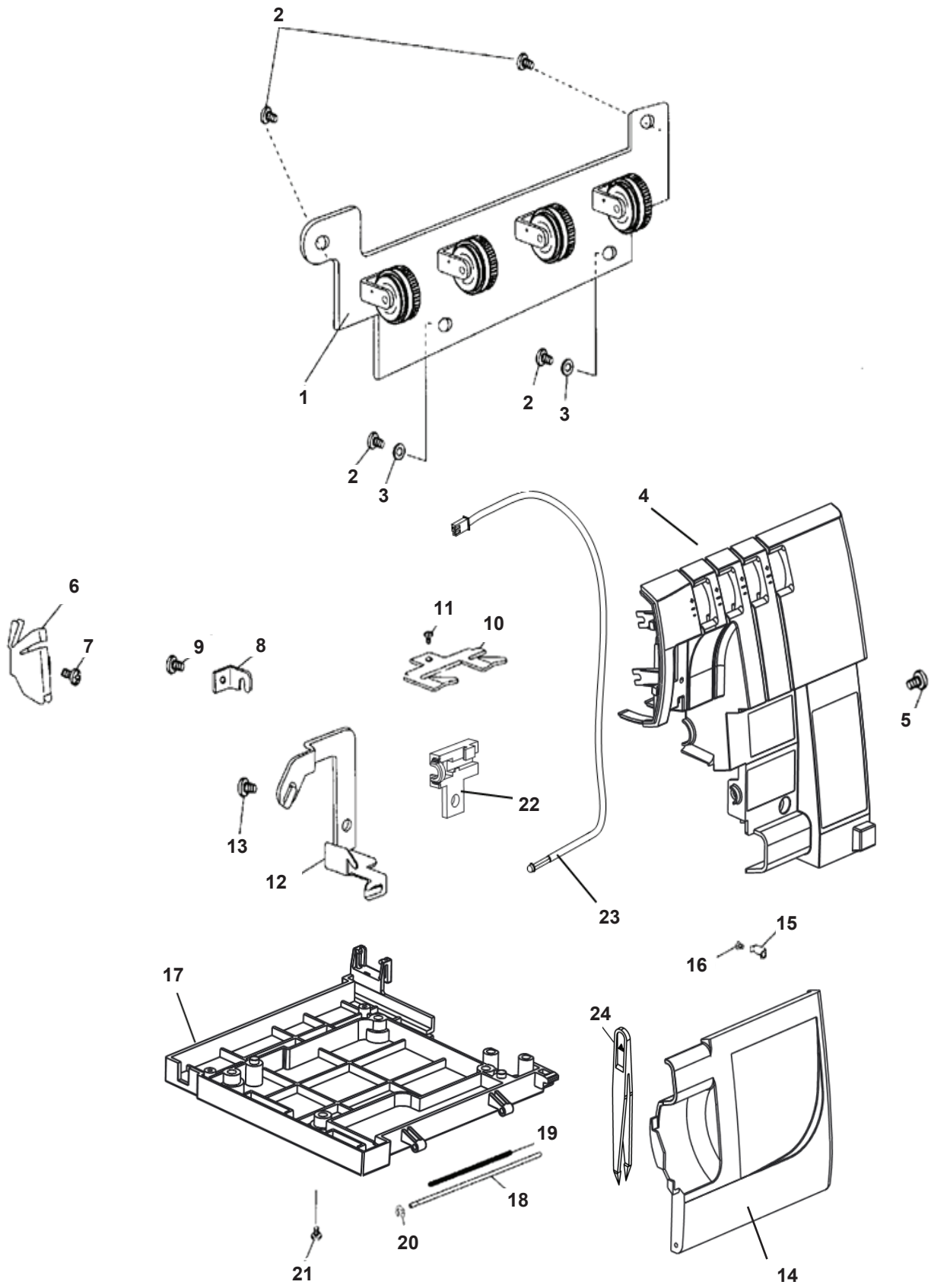
Liste de pièces
Lista de Piezas
Parts List

A



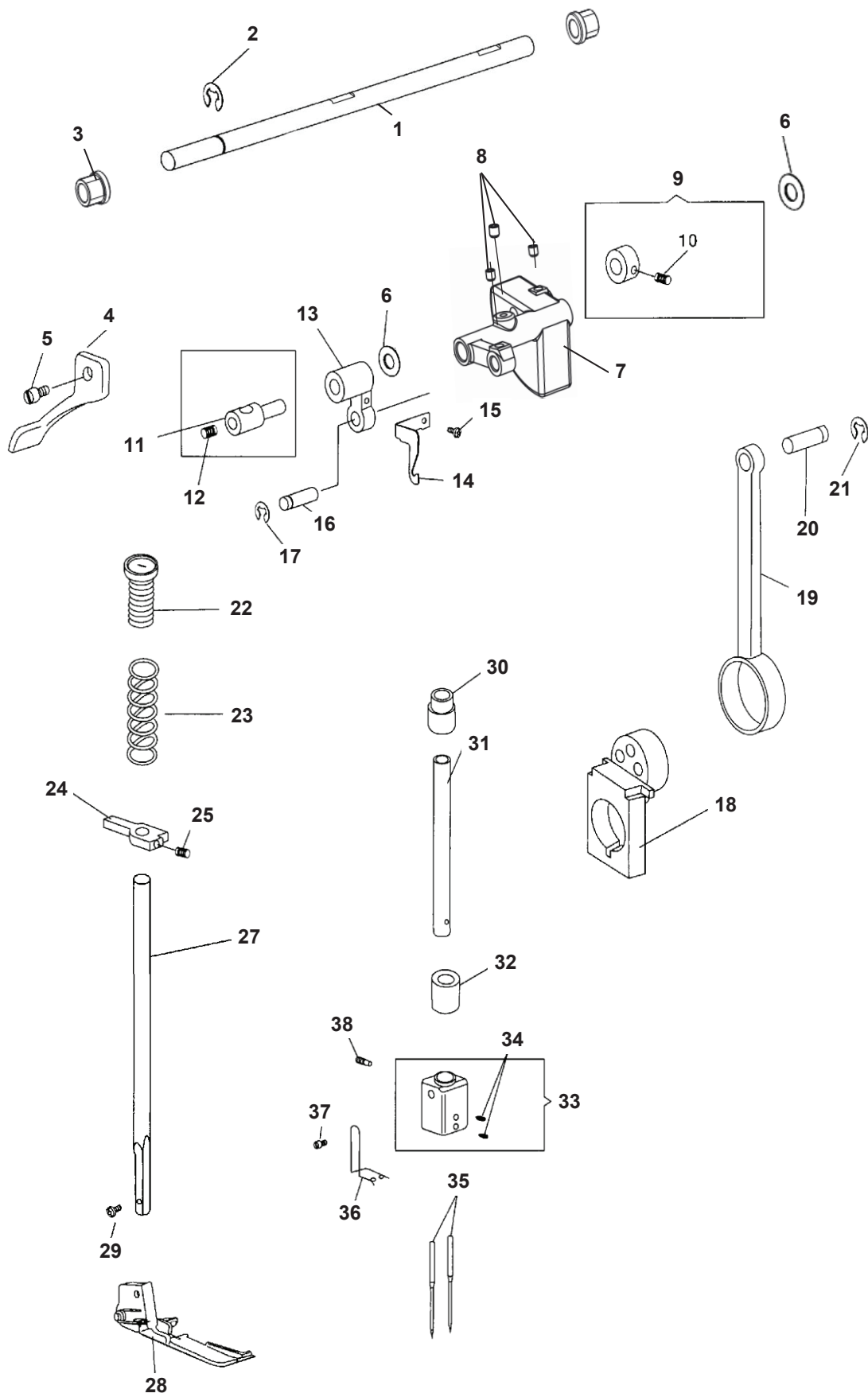
Pos	Part Number	Description
1	See #22	TELESCOPIC THREAD STAND
2	416324201	TELESCOPIC THREAD STAND SCREW
3	416322901	TELESCOPIC THREAD STAND WASHER
4	See #22	UPPER SPOOL STAND
5	416324901	SPOOL HOLDER
6	416676201	THREAD UNWINDER (COMP.) SCREW
7	68015765	HANDLE
8	416691601	HANDLE BRACKET(LEFT) COMP.
9	416324601	SCREW
10	416323701	PRESSER BAR OIL FELT SCREW
11	416324101	SCREW
12	416691701	HANDLE BRACKET (RIGHT) COMP.
13	416324101	HANDLE BRACKET (RIGHT) COMP.SCREW
14	68015792	TOP COVER COMP.
15	416324301	TOP COVER SCREW
16	68015798	LIGHT COVER COMP.
17	68015827	REAR COVER
18	68015829	PULLEY COVER S0100
19	68015830	EXTENSION TABLE
20	68015834	ATTACHED EXTENSION TABLE
21	416692001	SCREW
# 22	68017433	THREAD UNWINDER COMP (No 1 and 4)

B



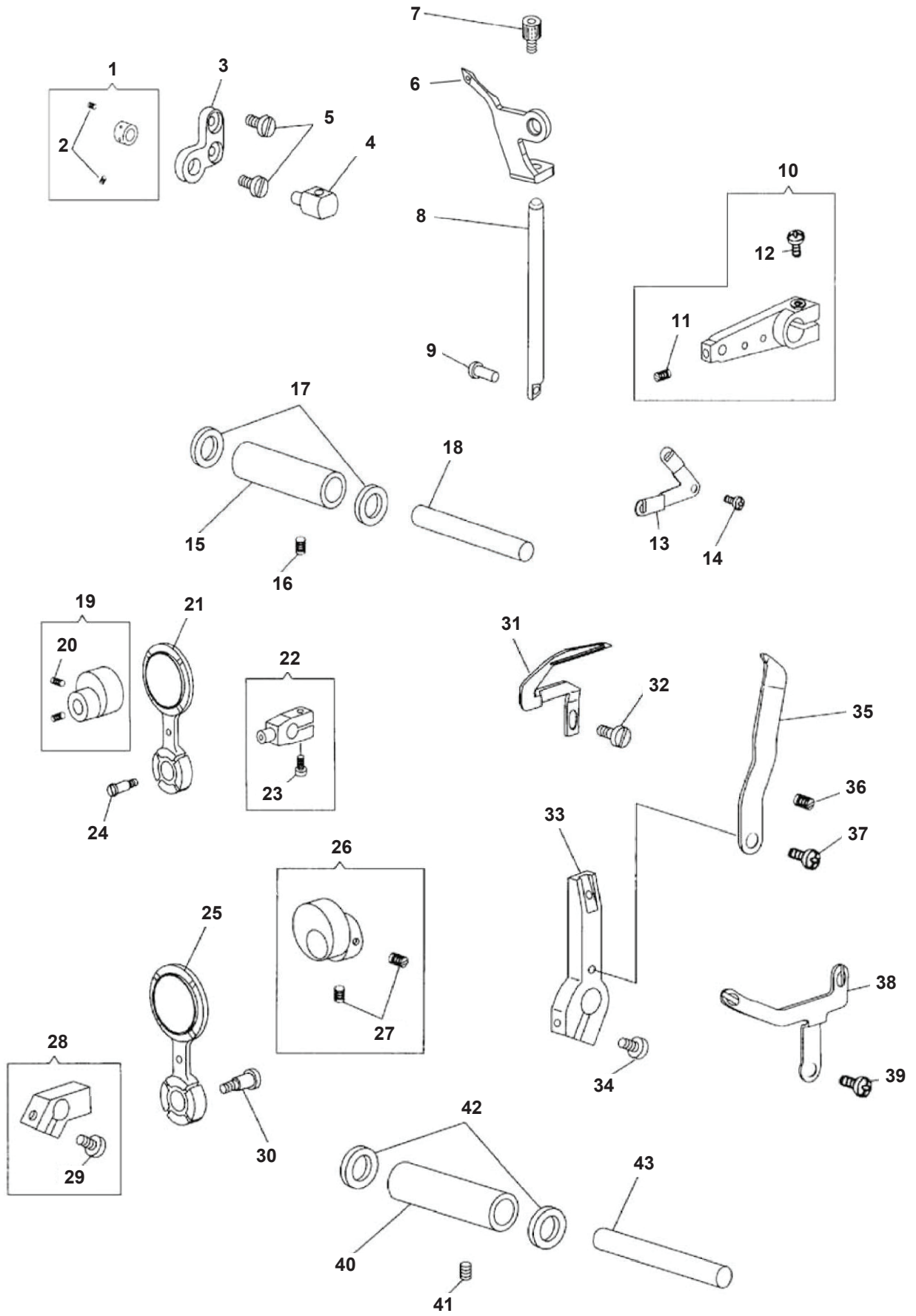
Pos	Part Number	Description
1	see 25	THREAD TENSION UNIT
2	270 364298000	SET SCREW
3	416322801	WASHER
4	see 25	FRONT COVER
5	416324601	FRONT COVER SCREW
6	see 25	THREAD GUIDE
7	416321901	SCREW
8	416321601	THREAD GUIDE (SMALL)
9	412697003	FRONT COVER THREAD GUIDE (SMALL) SCREW
10	416576601	FRONT COVER THREAD GUIDE (LOWER)
11	416323701	SCREW
12	See 25	LOOPER THREAD GUIDE
13	416321901	LOOPER THREAD GUIDE SCREW
14	See 26	LOOPER COVER
15	416691901	LOOPER COVER HOOK
16	416692001	SCREW
17	See 26	MACHINE BASE
18	416333801	PIN
19	416327401	SPRING
20	416327401	RING
21	416324501	SCREW
22	See 25	LED BRACKET B
23	68015892	LED
24	68015893	PLASTIC TWEEZERS
#25	68016899	COVER AND TENSION UNIT (NO 1,4,6,12 AND 22)
#26	68017884	Looper cover and machine base (No 14 and 17)

C



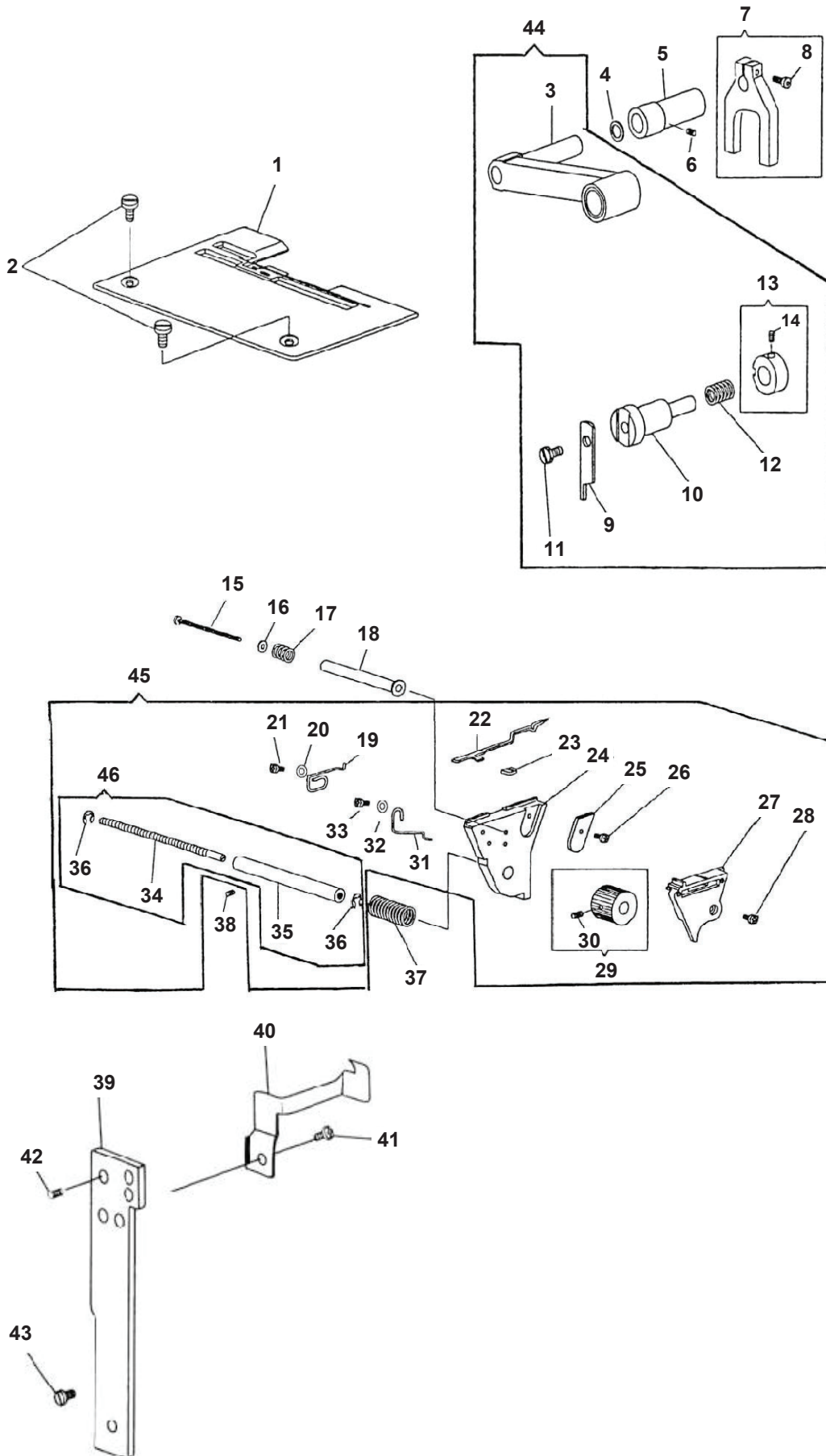
Pos	Part Number	Description
1	68016835	ARM SHAFT
2	416322701	E-RING
3	68016836	BUSHING
4	68016837	PRESSER BAR LIFTER
5	68015903	SCREW STUD
6	416322301	THRUST WASHER
7	68016838	NEEDLE BAR CRANK
8	68015896	SCREW
9	416692301	ARM SHAFT COLLAR COMP.
10	68015896	SCREW
11	416321201	NEEDLE BAR CONNECTING STUD
12	416323301	SCREW
13	416692401	NEEDLE BAR CONNECTING LINK
14	416319801	STRIKER
15	416323801	SCREW
16	416692501	NEEDLE BAR CONNECTING LINK PIN
17	416322601	E-RING
18	416692601	NEEDLE BAR ECC KNIFE(MOVABLE) FORKED LEVER SLIDE BLOCK
19	416692701	NEEDLE BAR CRANK ROD
20	416692501	NEEDLE BAR CONNECTING LINK PIN
21	416322601	E-RING
22	416670401	PRESSER REGULATING THUMB COMP.
23	416321301	PRESSER BAR SPRING
24	416692801	PRESSER BAR GUIDE BRACKET
25	416323401	PRESSER BAR GUIDE BRACKET SCREW
27	416331201	PRESSER BAR
28	416325201	PRESSER FOOT COMP (SNA P- ON TYPE)
29	416322201	PRESSER FOOT SCREW
30	416692901	NEEDLE BAR BUSHING (UPPER)
31	416320801	NEEDLE BAR
32	416693001	BUSHING
33	416327501	NEEDLE CLAMP (BODY) COMP.(FOR 4 THREAD)
34	416320701	NEEDLE SET SCREW
35		NEEDLE(#1 4)
36	416320901	NEEDLE CLAMP THREAD GUIDE
37	416324001	NEEDLE CLAMP THREAD GUIDE SET SCREW
38	416320401	NEEDLE CLAMP THREAD GUIDE

D



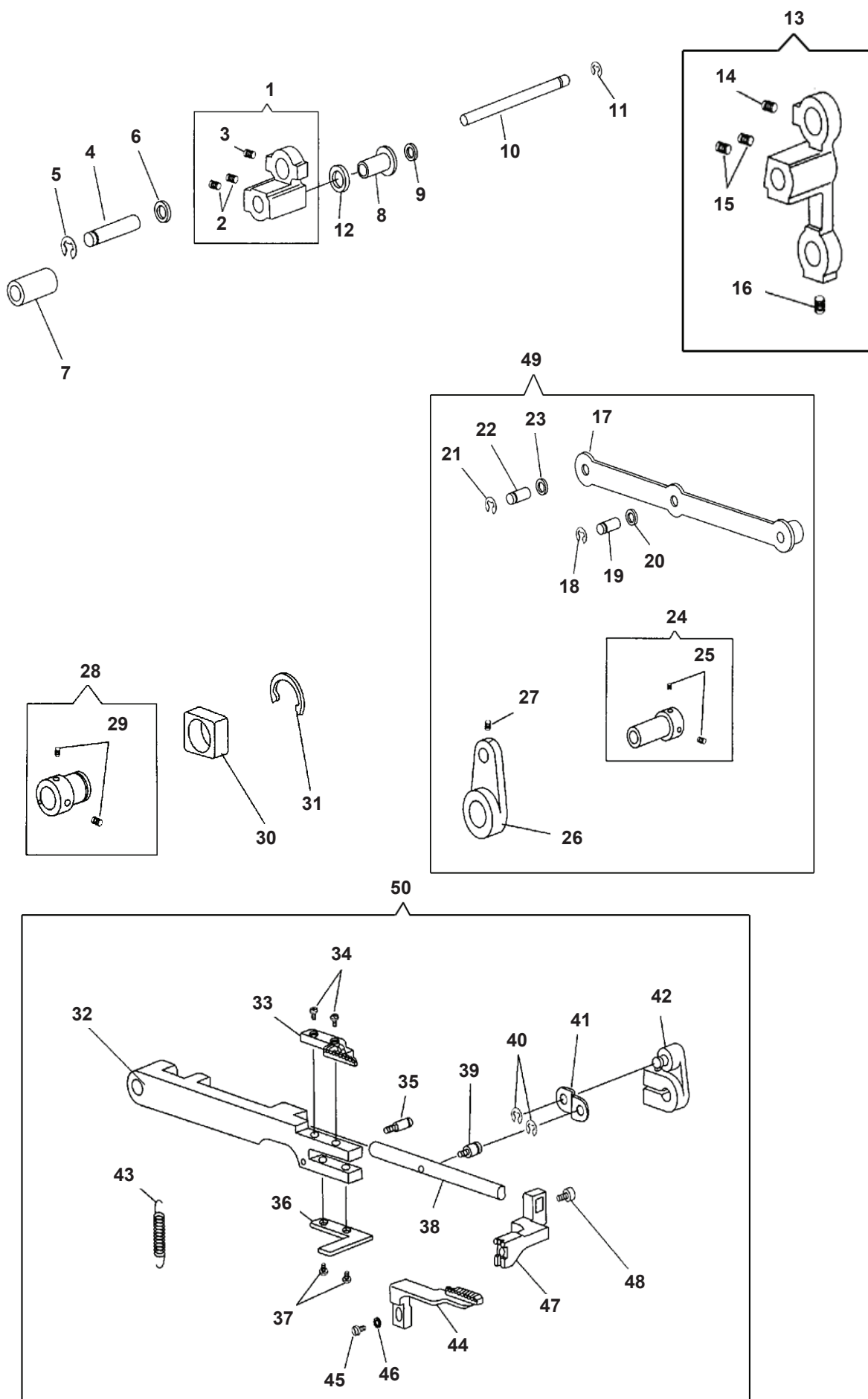
Pos	Part Number	Description
1	416325301	UPPER LOOPER RETAINER GUIDE COLLAR COMP.
2	68015896	SCREW
3	68015908	UPPER LOOPER RETAINER GUIDE BRACKET
4	416321401	UPPER LOOPER RETAINER GUIDE
5	416324401	UPPER LOOPER RETAINER GUIDE BRACKET SCREW
6	416327101	UPPER LOOPER
7	416322101	UPPER LOOPER SCREW
8	416321501	UPPER LOOPER RETAINER
9	416693201	UPPER LOOPER RETAINER DRIVING LEVER STUD
10	416327201	UPPER LOOPER RETAINER DRIVING LEVER COMP.
11	68015896	SCREW
12	416693301	SCREW
13	68015910	UPPER LOOPER THREAD GUIDE
14	416324101	UPPER LOOPER THREAD GUIDE SCREW
15	416693401	UPPER LOOPER SHAFT BUSHING
16	68015896	SCREW
17	416322301	THRUST WASHER
18	416693501	UPPER LOOPER SHAFT
19	416693601	LOOPER CAM COMP
20	68015896	SCREW
21	416327601	LOOPER CAM ROD COMP.
22	416693701	UPPER LOOPER SHAFT LEVER COMP.
23	416493501	SCREW
24	416678401	UPPER LOOPER CAM ROD END SCREW STUD
25	416327601	LOOPER CAM ROD COMP.
26	416693601	LOOPER CAM COMP.
27	68015896	SCREW
28	68015916	LOWER LOOPER SHAFT LEVER COMP.
29	416493501	SCREW
30	416678401	LOOPER CAM ROD END SCREW STUD
31	416325601	LOWER LOOPER
32	416323901	LOWER LOOPER SCREW
33	270 376839900	LOWER LOOPER HOLDER
34	416493501	SCREW
35	416319501	NEEDLE GUARD (BACK) (FOR OVEREDGE NEEDLE)
36	416320501	NEEDLE GUARD (BACK) (FOR OVEREDGE NEEDLE) ADJUSTING SCREW
37	416324101	NEEDLE GUARD (BACK) (FOR OVEREDGE NEEDLE) SCREW
38	68015917	LOWER LOOPER HOLDER THREAD GUIDE
39	416324101	LOWER LOOPER HOLDER THREAD SCREW
40	416693801	LOWER LOOPER SHAFT BUSHING
41	68015896	SCREW
42	416322301	THRUST WASHER
43	416693901	UPPER LOOPER SHAFT

E



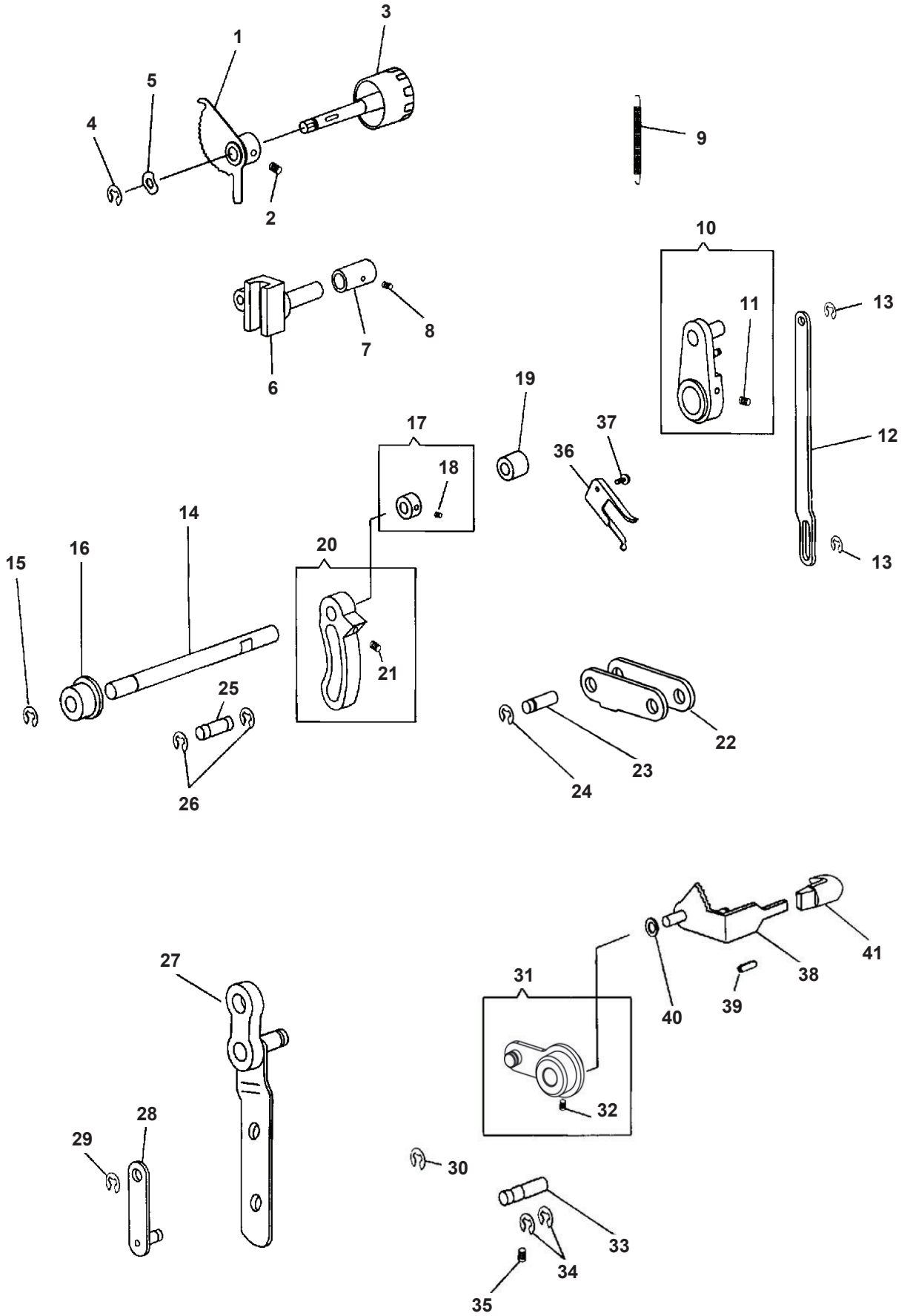
Pos	Part Number	Description
1	68015918	THROAT PLATE CPL
2	416327001	THROAT PLATE POSITION SCREW
3	68015919	KNIFE (MOVABLE) LEVER COMP.
4	416322301	THRUST WASHER
5	416694001	KNIFE (MOVABLE) FORKED LEVER STUD BUSHING
6	68015896	SCREW
7	416694101	KNIFE (MOVABLE) FORKED LEVER COMP.
8	416694201	KNIFE (MOVABLE) FORKED LEVER SCREW
9	416321701	KNIFE (MOVABLE)
10	416321801	KNIFE (MOVABLE) HOLDER
11	416324701	KNIFE (MOVABLE) SCREW
12	416321101	KNIFE (MOVABLE) HOLDER SPRING
13	416694301	KNIFE (MOVABLE) HOLDER COLLAR COMP.
14	68015896	SCREW
15	416694401	KNIFE (STATIONARY) HOLDER STUD SCREW
16	416694501	KNIFE (STATIONARY) HOLDER STUD SCREW WASHER
17	416694601	KNIFE (STATIONARY) HOLDER STUD SPRING
18	416694701	KNIFE (STATIONARY) HOLDER STUD
19	416326101	SEAM WIDTH FINGER SPRING
20	416694801	SPRING WASHER
21	416323701	SCREW
22	416326001	SEAM WIDTH FINGER
23	270 550453391	SEAM WIDTH FINGER KNOB
24	416694901	KNIFE (STATIONARY) HOLDER
25	416325901	KNIFE (STATIONARY)
26	416323801	SCREW
27	270 550451391	SEAM WIDTH FINGER SUPPORT PLATE
28	416323701	SCREW
29	416677201	SEAM WIDTH CONTROL DIAL COMP.
30	68015896	SCREW
31	270 550602	SEAM WIDTH CONTROL DIAL SPRING
32	416694801	SPRING WASHER
33	416323701	SCREW
34	416695001	SEAM WIDTH CONTROL SCREW
35	416695101	SEAM WIDTH CONTROL SCREW BUSHING
36	416695201	E-RING
37	550359	SEAM WIDTH CONTROL SCREW SPRING
38	68015896	SCREW
39	68015920	NEEDLE GUARD BRACKET
40	416325701	NEEDLE GUARD (FRONT) FOR OVEREDGE NEEDLE
41	416323601	NEEDLE GUARD (FRONT) FOR OVEREDGE NEEDLE SCREW
42	68015922	NEEDLE GUARD ADJUSTING SCREW
43	416324101	NEEDLE GUARD BRACKET COMP. SCREW
44	270 550436391	KNIFE (MOVABLE) COMP.
45	270 550447	KNIFE (STATIONARY) COMP.
46	416695401	SEAM WIDTH CONTROL SCREW COMP.

F



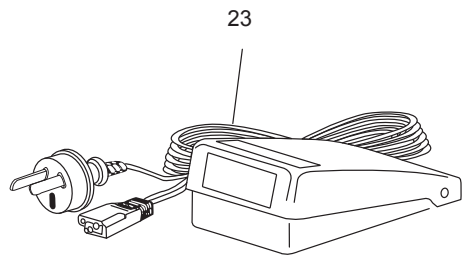
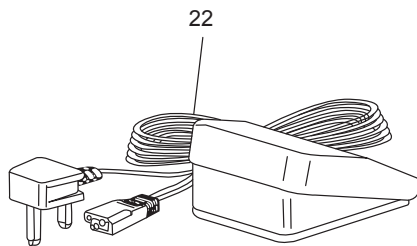
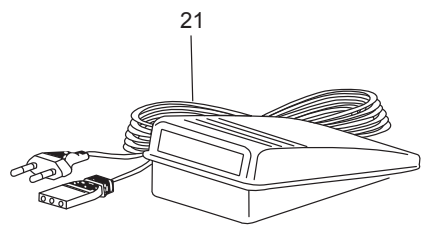
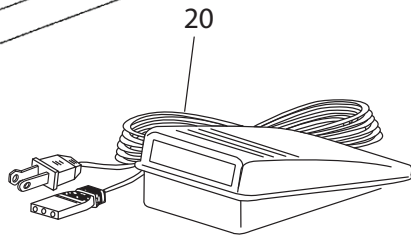
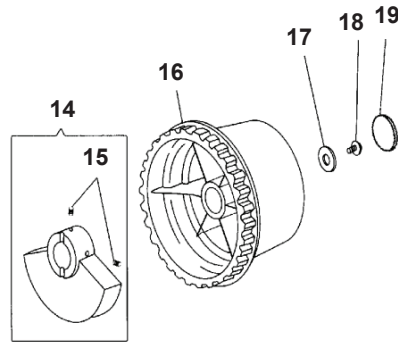
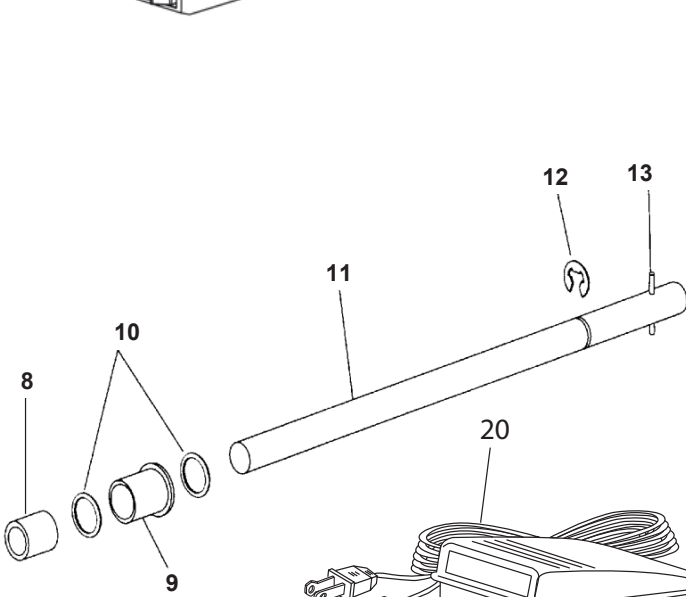
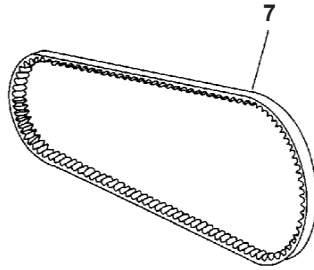
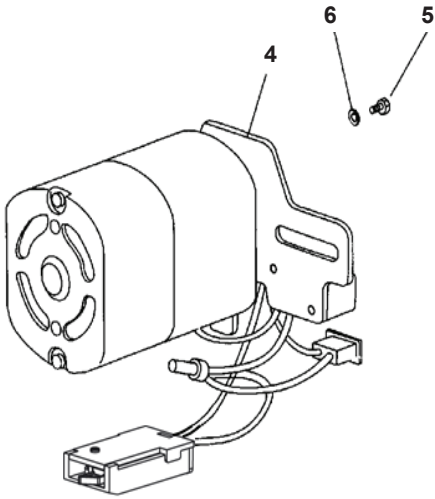
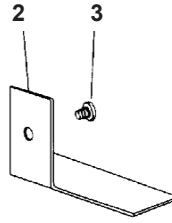
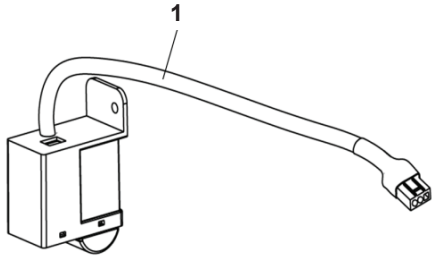
Pos	Part Number	Description
1	416695501	FEED CRANK (LEFT) COMP.
2	68015896	SCREW
3	68015896	SCREW
4	416492101	FEED CRANK (LEFT) STUD
5	416322601	E-RING
6	416322301	THRUST WASHER
7	416695601	FEED CRANK SHAFT BUSHING (LEFT)
8	416695701	FEED CRANK SHAFT BUSHING (RIGHT)
9	416322401	THRUST WASHER
10	416326301	FEED CRANK SHAFT
11	68015926	E- RING
12	416695801	THRUST WASHER
13	416695901	FEED CRANK (RIGHT) (FOR DIFF.FEED) COMP.
14	68015896	SCREW.
15	68015896	SCREW
16	68015896	SCREW
17	68015927	CRANK ROD COMP.
18	416322601	E-RING
19	270 412635	FEED CRANK ROD STUD
20	416322401	THRUST WASHER
21	416322601	E-RING
22	416696001	FEED CRANK (RIGHT) STUD
23	416322301	THRUST WASHER
24	68015929	FEED CAM COMP.
25	68015896	SCREW
26	416696101	FEED CRANK ROD
27	68015896	SCREW
28	416696601	FEED LIFTING CAM COMP.
29	68015896	SCREW
30	416696201	FEED LIFTING CAM SLIDE BLOCK
31	416696301	FEED LIFTING CAM SLIDE BLOCK RETAINING RING
32	68015930	MAIN FEED BAR
33	68015932	MAIN FEED DOG
34	416323701	SCREW
35	416326401	MAIN FEED BAR SPRING SCREW STUD
36	68015934	AUXILIARY FEED SUPPORT BRACKET
37	416323701	SCREW
38	416696401	AUXILIARY FEED BAR
39	416326701	AUXILIARY FEED BAR GUIDE PIN SCREW
40	416695201	E-RING
41	416696501	AUXILIARY FEED BAR LINK
42	416699401	DIFFER ENTIAL FEED ARM COMP.
43	416326801	MAIN FEED BAR SPRING
44	68015936	AUXILIARY FEED DOG
45	416324201	AUXILIARY FEED DOG SCREW
46	416322801	WASHER
47	416696701	AUXILIARY FEED DOG HOLDER
48	416323701	SCREW
49	68015937	FEED REGULATOR ROD COMP.
50	68015938	DIFFERENTIAL FEED BAR COMP

G

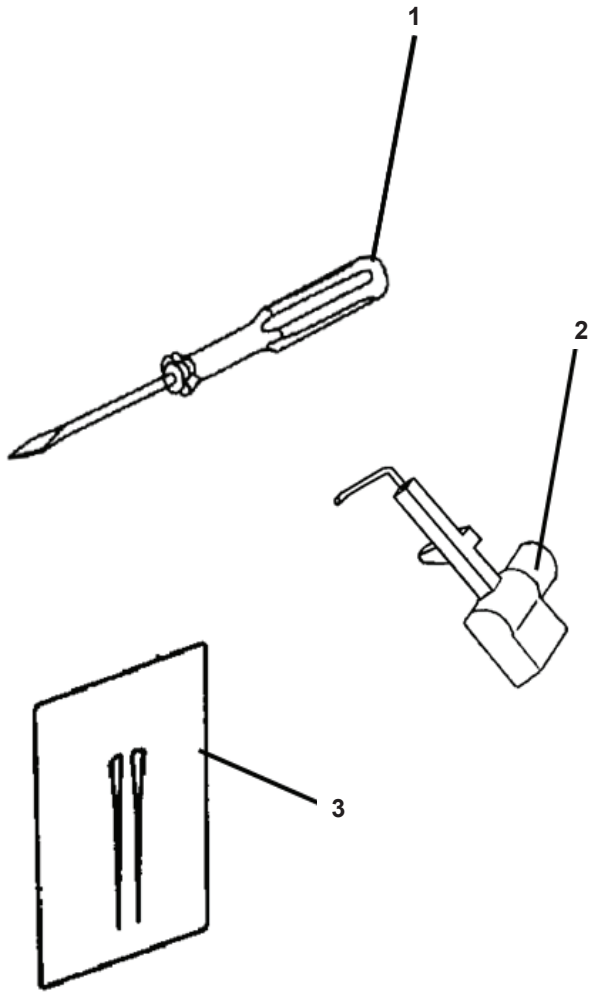


Pos	Part Number	Description
1	416696801	FEED REGULATOR DRIVING CAM (BODY) COMP.
2	68015896	SCREW
3	68015939	FEED DIAL
4	416322601	E-RING
5	416321001	FEED DIAL WAVE WASHER
6	68015940	FEED REGULATOR
7	416696901	FEED REGULATOR STUD BUSHING
8	68015896	SCREW
9	416319601	FEED REGULATOR LEVER SPRING
10	416319601	FEED REGULATOR LEVER COMP.
11	68015896	SCREW
12	416697101	DIFFERENTIAL FEED SAFETY PLATE
13	416327401	E-RING
14	416697201	DIFFERENTIAL FEED SHAFT
15	416322601	E-RING
16	416697301	DIFFERENTIAL FEED SHAFT BUSHING (LEFT)
17	416697401	DIFFERENTIAL FEED SHAFT COLLAR COMP.
18	68015896	SCREW
19	416693001	BUSHING
20	416697501	DIFFERENTIAL FEED ADJUSTING ARM COMP.
21	68015896	SCREW
22	416697601	DIFFERENTIAL FEED CRANK ROD
23	416697701	DIFFERENTIAL FEED CRANK STUD
24	416322601	E-RING
25	416697801	DIFFERENTIAL FEED CRANK ROD STUD
26	416322601	E-RING
27	416697901	DIFFERENTIAL FEED ADJUSTING LEVER (LOWER)
28	416698001	DIFFERENTIAL FEED LEVER LINK COMP.
29	68015926	E-RING
30	416322601	E-RING
31	416698101	DIFFERENTIAL FEED LEVER COMP.
32	68015896	SCREW
33	416698201	DIFFERENTIAL FEED ADJUSTING LEVER STUD
34	416322601	E-RING
35	68015896	SCREW
36	416698301	DIFFERENTIAL FEED ADJUSTING LEVER SPRING
37	416324601	DIFFERENTIAL FEED ADJUSTING LEVER SPRING SCREW
38	416698401	DIFFERENTIAL FEED ADJUSTING LEVER COMP.
39	416323101	DIFFERENTIAL FEED ADJUSTING LEVER PIN
40	416698501	DIFFERENTIAL FEED ADJUSTING LEVER WASHER
41	68015941	DIFFERENTIAL FEED ADJUSTING LEVER KNOB

H



Pos	Part Number	Description
1	68015950	LED LIGHT CPL.(FOR 120V)
1	68015951	LED LIGHT CPL.(FOR 230V)
2	416698701	CORD CLAMPING PLATE
3	416324101	CORD CLAMPING PLATE SCREW
4	68015962	MOTOR COMP. (110~127V 90W)
4	68015963	MOTOR COMP. (220~240V 90W)
5	416324801	MOTOR , BRACKET SCREW
6	416323001	MOTOR , BRACKET SCREW WASHER
7	416327701	TIMING BELT
8	416698801	ROTATING SHAFT BUSHING (LEFT)
9	416698901	ROTATING SHAFT BUSHING (RIGHT)
10	416699001	ROTATING SHAFT THRUST WASHER
11	416699101	ROTATING SHAFT
12	416699201	ROTATING SHAFT RETAINING RING
13	416699301	ROTATING SHAFT SPRING PIN
14	416698601	ROTATING SHAFT BALANCE WEIGHT COMP.
15	68015896	SCREW
16	68015952	TIMING BELT PULLEY
17	416323201	TIMING BELT PULLEY SET SCREW WASHER
18	416324601	TIMING BELT PULLEY SET SCREW
19	416319201	TIMING BELT PULLEY COVER
20	416669101	Controller Comp. (for 230V) (Plug C-Type)
21	416669102	Controller Comp. (for 230V) (Plug BF-Type)
22	416669103	Controller Comp. (for 220-250V) (Plug S-Type)
23	416669201	Controller Comp. (for 100-120V) (Plug A-Type)



<u>Pos</u>	<u>Part Number</u>	<u>Description</u>
1	270 541514	SCREW DRIVER (SMALL)
2	416326901	CONVERSION
3		OVERLOCK NEEDLE PACK

