

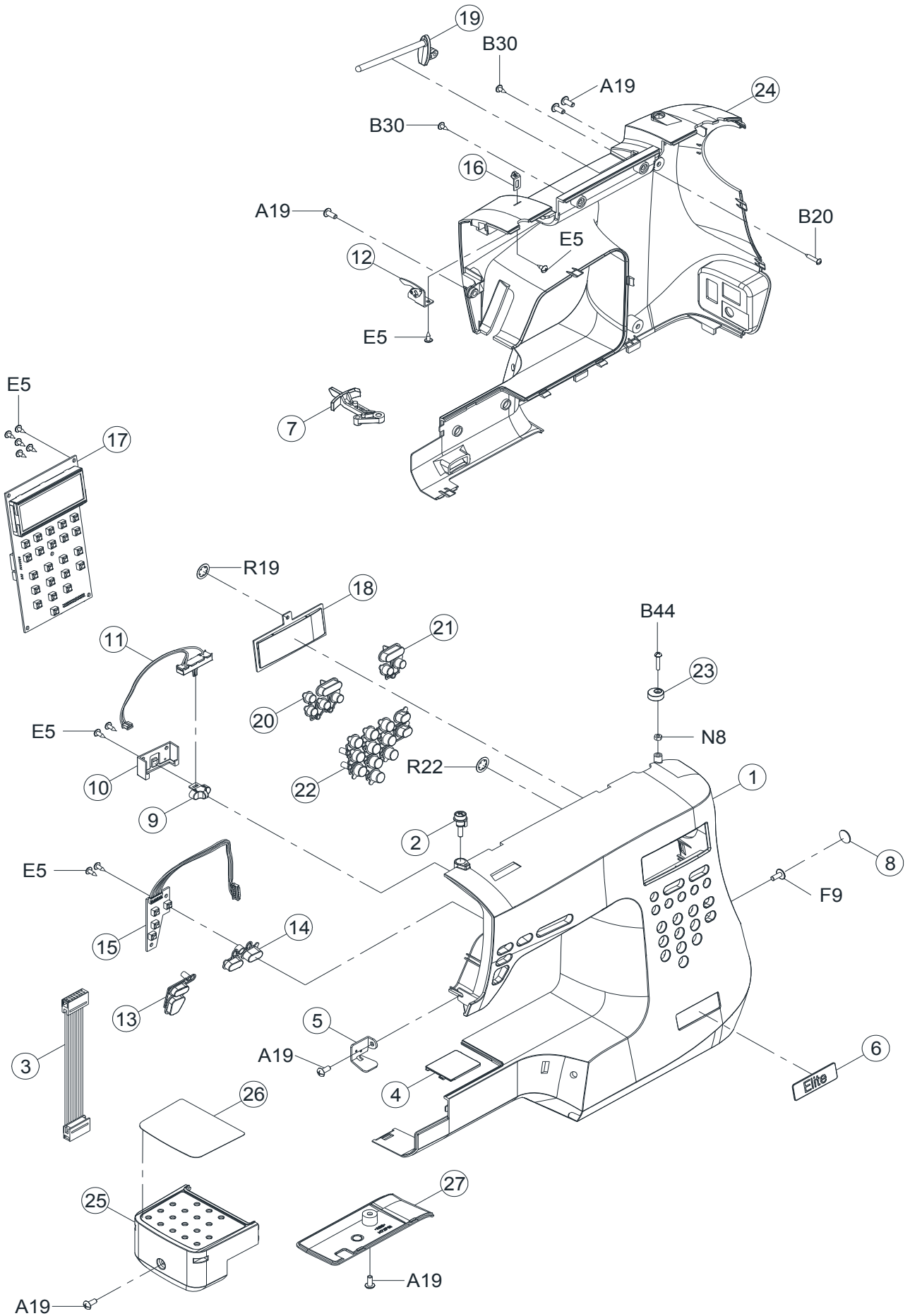


SINGER®

CE677

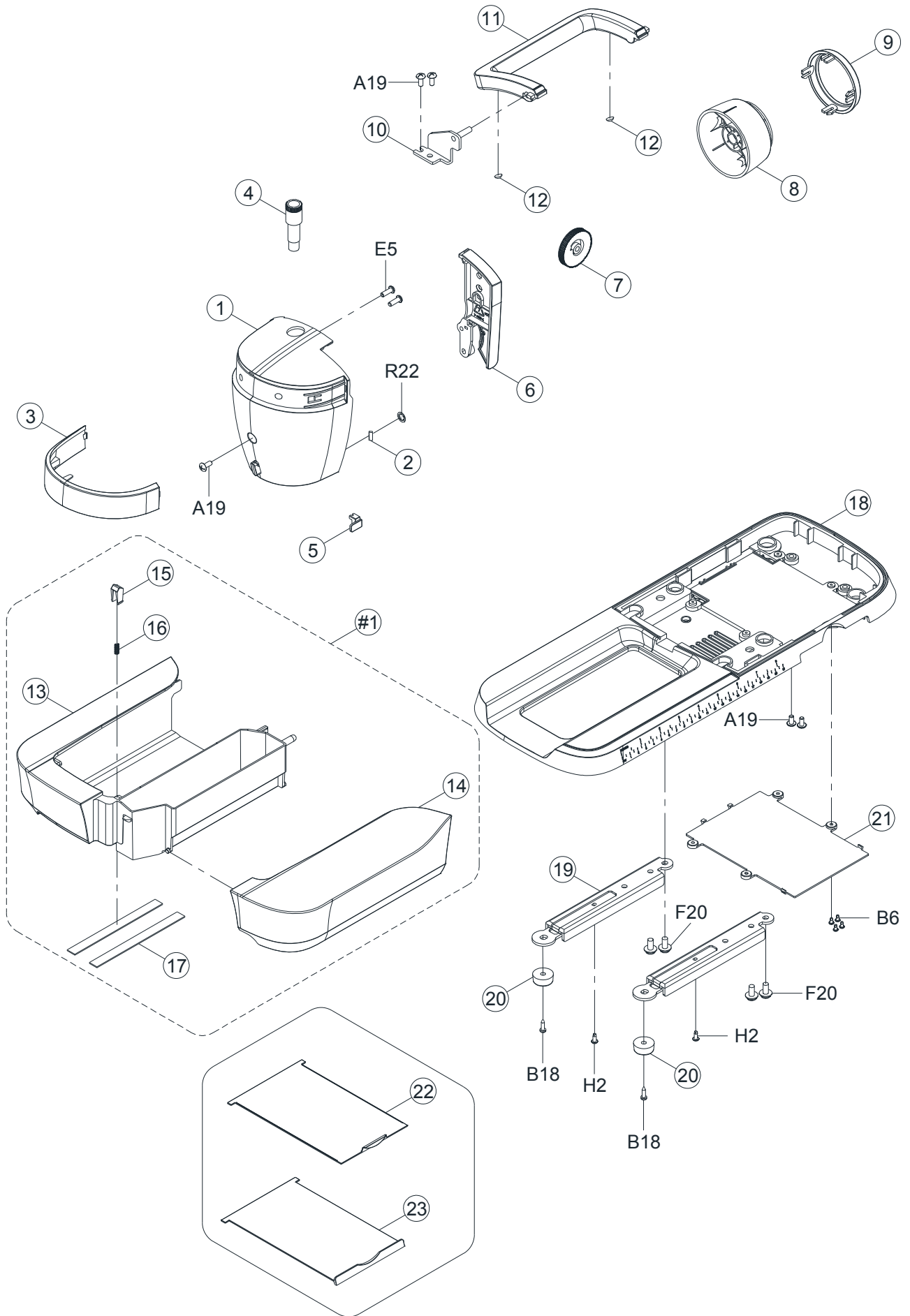
Liste de pièces
Lista de Piezas
Parts List

A



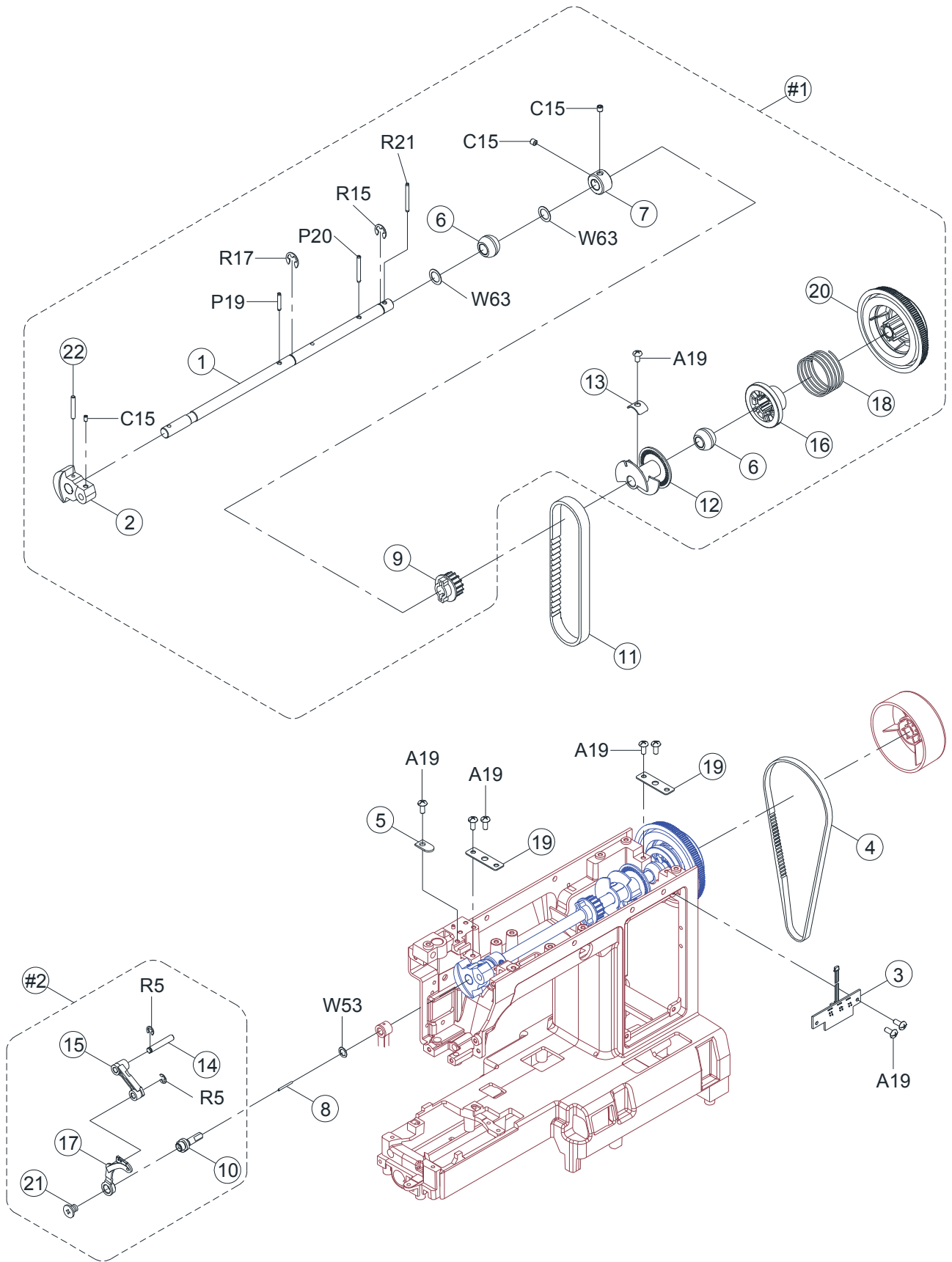
Ref No	Part No	Part Name
1	68016948	FRONT COVER
2	68015139	BOBBIN WINDER THREAD GUIDE ADJUSTING CPL.
3	68015142	ROW LINE
4	68016949	NEEDLE PLATE COVER
5	68016951	ARM THREAD GUIDE PLATE
6	68016952	ELECTROFORM NAMEPLATE
7	68016953	TOOTH LEVER ARM
8	68013144	PLATE (1)
9	68016954	SLIDE VOLUME KNOB
10	416481401	SLIDE VOLUME KNOB CONNECTOR
11	68003819	SLIDE VOLUME
12	68016955	THREAD GUIDE CPL.
13	68016945	REVERSE & START/STOP BUTTON
14	68016946	OPERATION BUTTON (1)
15	68016947	UP & DOWN FIXED POSITION SWITCH
16	416804501	THREAD GUIDE
17	68015165	LCD MAIN CIRCUIT BOARD
18	68016958	LCD PLASTIC COVER
19	416804601	SPOOL ROD
20	68016961	FUNCTION BUTTON (1)
21	68016965	FUNCTION BUTTON (2)
22	68016966	NUMERAL BUTTON
23	416554101	BOBBIN WINDER STOPPER
24	68016967	BACK COVER
25	68016981	FREE ARM COVER
26	68016982	SLAB CPL. (LEFT)
27	68016985	FREE ARM BASE PLATE
A19	416121501	PAN HEAD SCREW (L) M4*0.7*L8
B20	270 004230646	PAN HEAD SCREW (S) M3*0.5*L16.7
B30	416122201	PAN HEAD SCREW (S) M4*0.7*L10
B44	416793601	PAN HEAD SCREW (S) SM9/64-40*L18
E5	416681501	TRUSS HEAD SCREW M3*0.5*L8.5
F9	270 004240586	WASHER HEAD SCREW M4*0.7*L8
N8	416126301	SCREW SM9/64-40*3
R19	270 003020033	RING CSTW-3, Ø2.8*Ø8*0.25
R22	416116701	RING CSTW-5, Ø4.8*Ø10*0.25

B



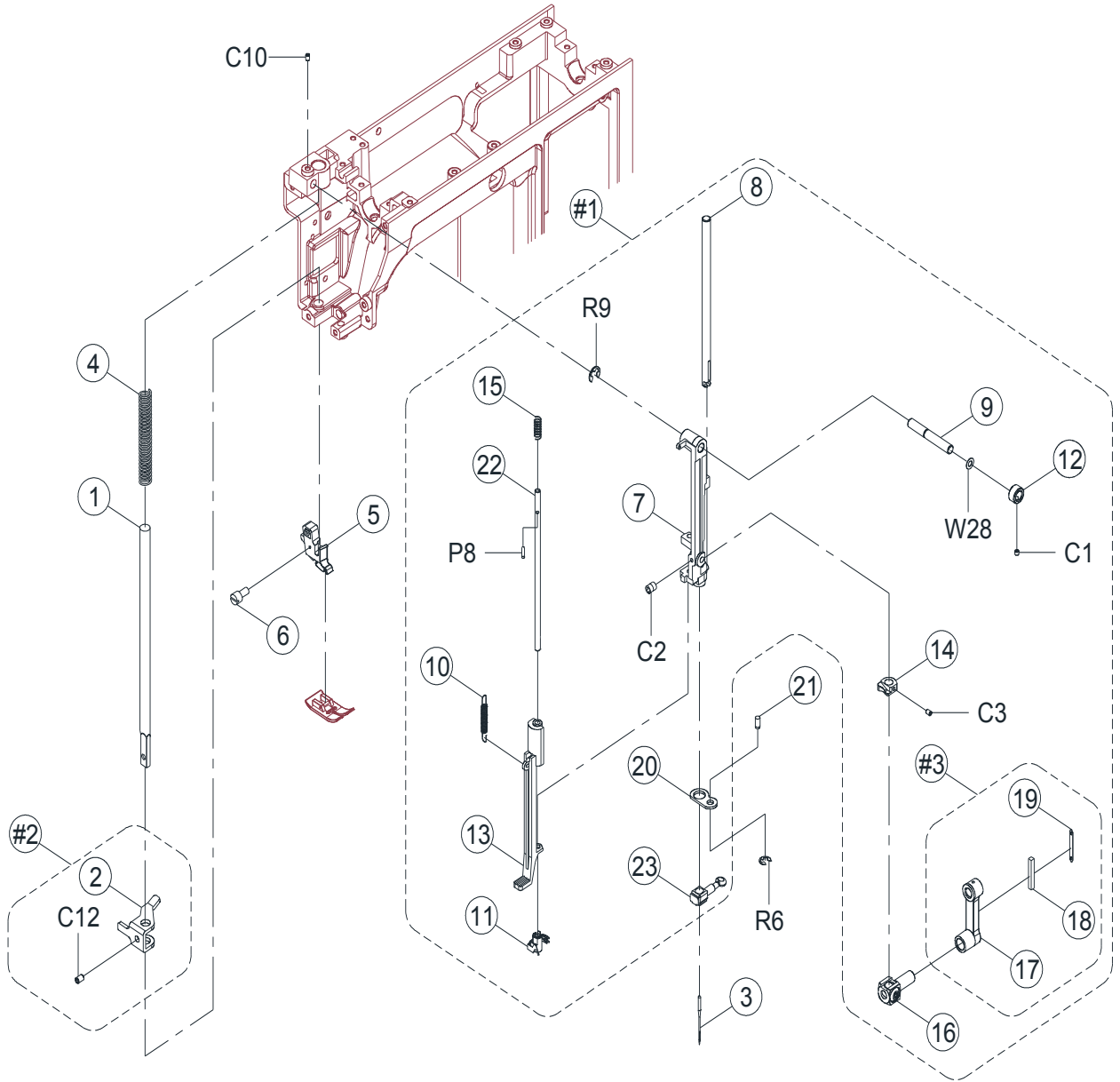
Ref No	Part No	Part Name
#1	68017004	SEWING TABLE CPL.
1	68016986	FACE COVER
2	412423701	CUTTER
3	68016987	FACE PLATE
4	416730701	PRESSER BAR REGULATING SCREW CPL.
5	68015178	BH LEVER BUTTON
6	68016988	TENSION SUPPORTER COVER
7	68010960	THREAD TENSION DIAL
8	68016989	HAND WHEEL
9	68016990	HAND WHEEL PLATE
10	270 V62033006	ARM TOP COVER PLATE CPL.
11	68016991	HANDLE
12	68015189	SPACER
13	68016992	SEWING TABLE BODY
14	68016994	SEWING TABLE COVER
15	416424501	SEWING TABLE BODY GUIDE
16	416424401	SEWING TABLE BODY GUIDE SPRING
17	416633701	FELT SEAL
18	68016996	BASE
19	68015214	FREE ARM FOOT
20	68012007	FREE ARM BASE CUSHION RUBBER
21	68016997	PATTERN PLATE COVER
22	68016999	PATTERN PLATE (1)
23	68017000	PATTERN PLATE (2)
A19	416121501	PAN HEAD SCREW (L) M4*0.7*L8
B6	416632701	PAN HEAD SCREW (S) M2.5*0.45*L5
B18	416716601	PAN HEAD SCREW (S) M3*0.5*L12
E5	416681501	TRUSS HEAD SCREW M3*0.5*L8.5
F20	270 004250426	WASHER HEAD SCREW M5*0.8*L10
H2	416184801	CHEESE HEAD SCREW M3*0.5*L8
R22	416116701	RING CSTW-5, Ø4.8*Ø10*0.25

C



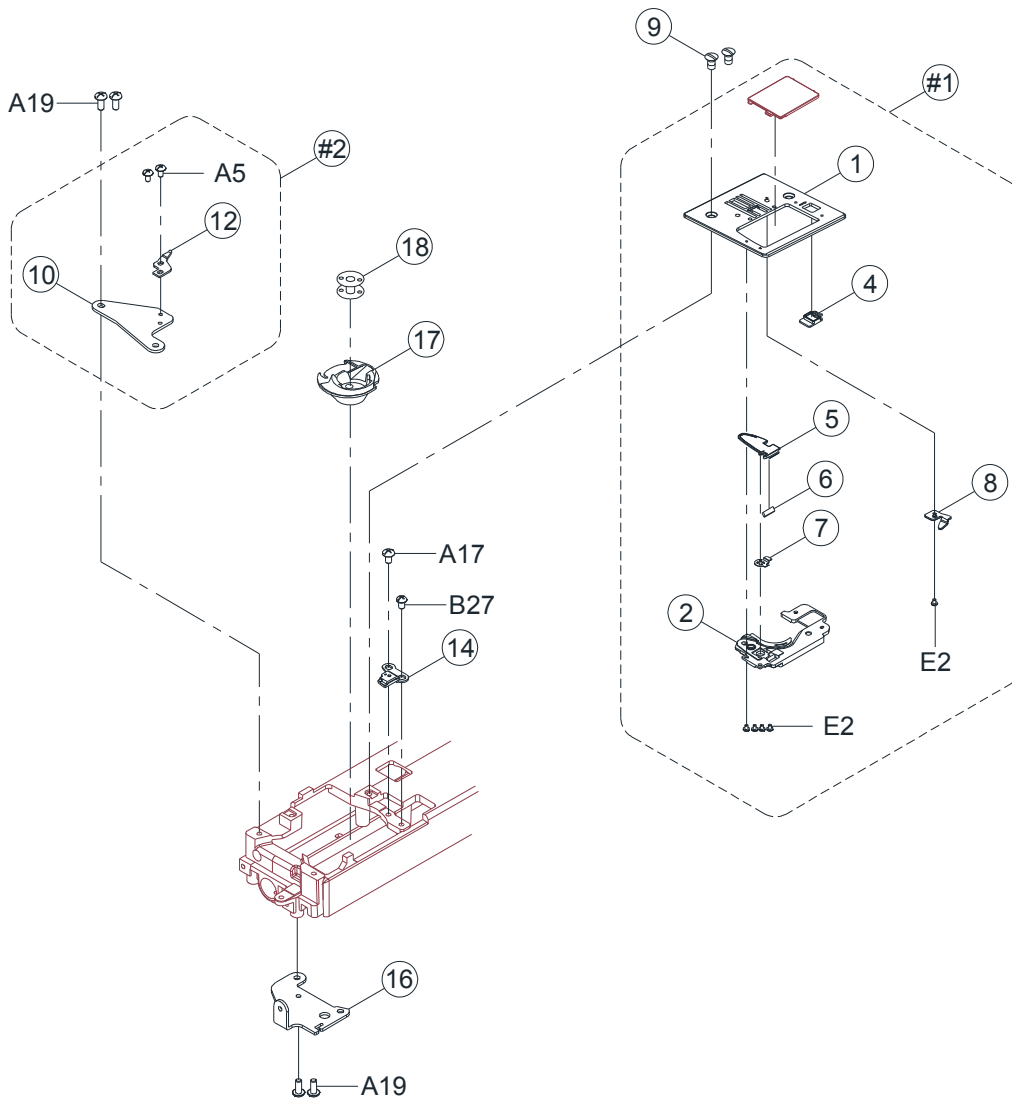
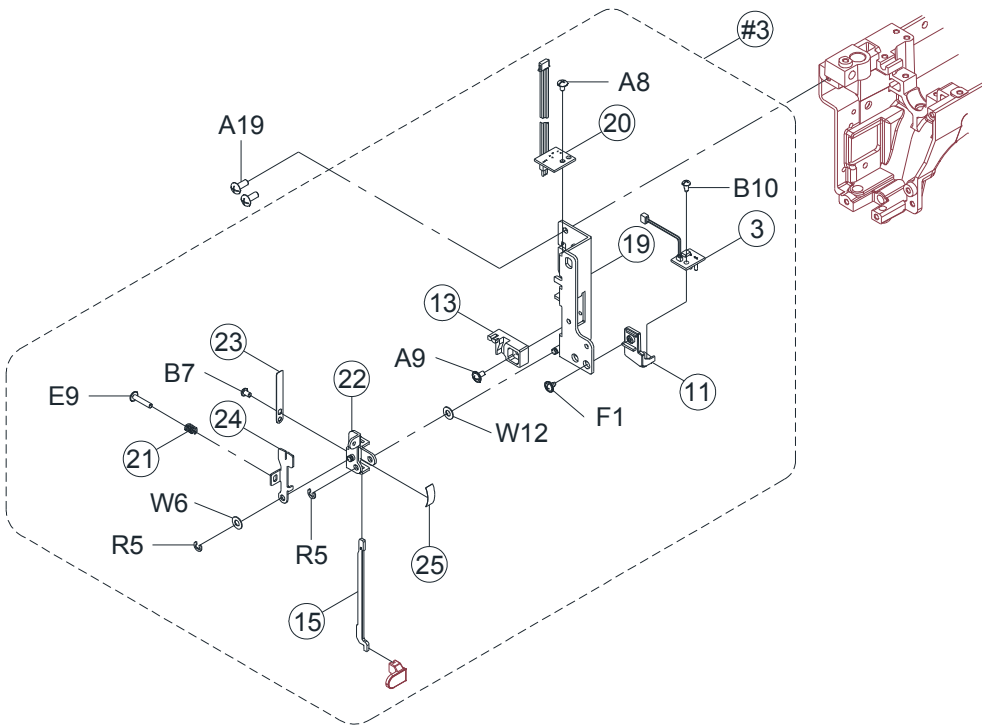
Ref No	Part No	Part Name
#1	68015223	ARM SHAFT CPL.
#2	416466701	THREAD TAKE UP LEVER CPL.
1	270 H1A0033000	ARM SHAFT
2	416542401	ARM SHAFT BALANCE
3	68003049	PHOTO SENSOR CPL.
4	416685701	BELT
5	416522601	CARRYING HANDLE SHAFT
6	416156301	ARM SHAFT BUSING
7	416156501	ARM SHAFT COLLAR
8	416543401	OIL COTTON
9	416680201	ARM SHAFT SPROCKET
10	416543201	ARM SHAFT BALANCE PIN CPL.
11	416680301	BELT
12	68015222	ROTARY SENSOR COLLAR
13	416133301	ARC WASHER
14	416162201	THREAD TAKE UP LEVER SUPPORTER SHAFT
15	416466701	THREAD TAKE UP LEVER SUPPORTER
16	416307201	CLUTCH SLEEVE
17	416543101	THREAD TAKE UP LEVER CPL.
18	270 D5A0573003	ARM SHAFT CLUTCH ANNULUS SPRING
19	416161701	ARM SHAFT BUSHING HOLDER PLATE
20	416680801	ARM SHAFT DRIVE BELT PULLEY
21	416404501	SET SCREW (9/64x40x5)
22	416117701	PIN (3.5x24)
A19	416121501	PAN HEAD SCREW (L) M4*0.7*L8
C15	270 004250203	SET SCREW M5*0.8*L5
P19	416117601	PIN Ø3*L18*0.6
P20	270 003043028	PIN Ø3*L28*0.6
R5	416116001	RING ETW-3, Ø3.2*Ø7*0.6
R15	270 003010083	RING ETW-8, Ø8*Ø16*0.8
R17	416116501	RING ETW-9, Ø9*Ø18*0.8
R21	416116801	RING CSTW-4.5, Ø4.3*10*0.25
W53	416125901	WASHER Ø6.2*Ø9.6*0.5
W63	416125101	WASHER Ø10.2*Ø15*0.5

D

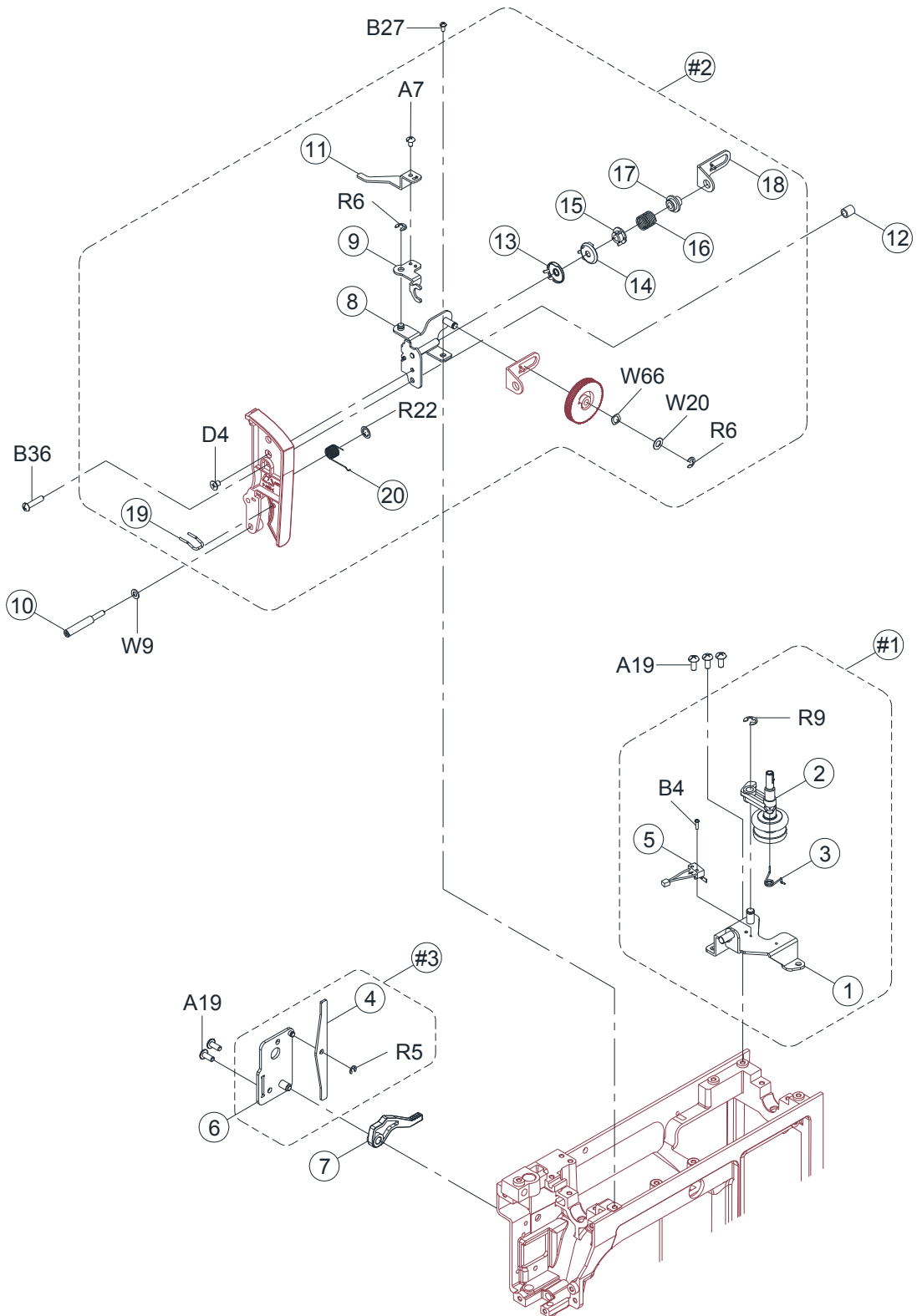


Ref No	Part No	Part Name
#1	68015233	NEEDLE BAR SUPPORTER CPL.
#2	68015235	PRESSER BAR BRACKET CPL.
#3	68015238	NEEDLE BAR CRANK ROD CPL.
1	416173401	PRESSER BAR
2	270 H1A0093003	PRESSER BAR BRACKET
3		NEEDLE
4	68015224	PRESSER BAR SPRING
5	68017005	SHANK CPL.
6	416118401	SET SCREW (9/64x40x7)
7	416566901	NEEDLE BAR SUPPORTER
8	416173601	NEEDLE BAR
9	416642401	NEEDLE BAR SUPPORTER PIN
10	68015232	SPRING
11	68003556	AUTO THREADER
12	68015225	COLLAR
13	270 R10083000	AUTO THREAD LEVER
14	68013217	THREADING STOPPER
15	68015231	SPRING
16	416150801	NEEDLE BAR BRACKET CPL.
17	68015226	NEEDLE BAR CRANK ROD
18	68015227	OIL COTTON
19	68015229	OIL COTTON HOLDER PLATE
20	416567001	NEEDLE BAR SUPPORTER
21	68014111	NEEDLE BAR SUPPORTER PLATE PIN
22	68015230	THREADING SHAFT
23	416245301	NEEDLE CLAMP CPL.
C1	416120001	SET SCREW M3*0.5*L3
C2	416184601	SET SCREW M3*0.5*L4
C3	68013218	SET SCREW M3*0.5*L4
C10	416121001	SET SCREW M4*0.7*L5
C12	416122101	SET SCREW M4*0.7*L6
P8	416117201	PIN Ø2*L14*0.4
R9	416116301	RING ETW-5, Ø5*Ø11*0.6
W28	270 004300186	WASHER Ø6.2*Ø12*0.5

E

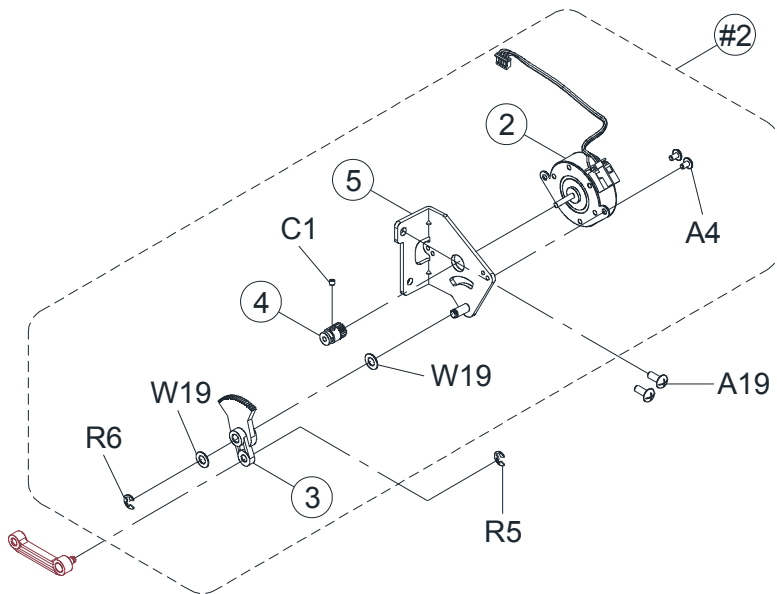
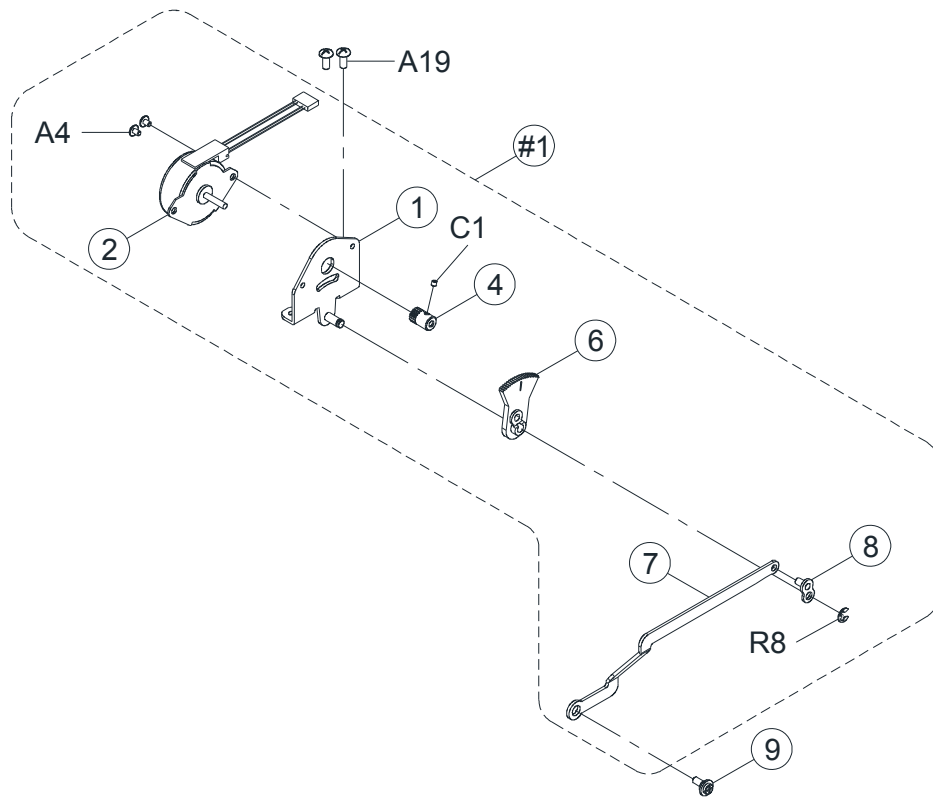


Ref No	Part No	Part Name
#1	68017006	NEEDLE PLATE CPL.
#2	416687901	ROTARY HOOK PLATE CPL.
#3	68015290	BH LEVER PLATE CPL.
1	68015280	NEEDLE PLATE
2	68003729	NEEDLE PLATE SUPPORTER
3	68009195	LED LIGHT LAMP CPL.
4	416155201	NEEDLE PLATE COVER OPEN
5	68015281	THREAD GUIDE STAND
6	412423701	THREAD CUTTER
7	68003570	PRESS PLATE
8	68015282	NO SKIPPING PLATE
9	416122901	SET SCREW (M4x6)
10	416687901	ROTARY HOOK PLATE
11	68009193	LED HOLDER
12	416687901	ROTARY HOOK PLATE
13	416570201	BH MOVEMENT CRANK
14	416687801	ROTARY HOOK PLATE (2) CPL.
15	416686501	BH LEVER
16	416569501	SUPPORTER
17	416568801	SHUTTLE HOOK ASSEMBLE
18	68000175	BOBBIN
19	68015285	BH LEVER PLATE CPL.
20	416642801	PHOTO SENSOR CPL.
21	416306901	PULSE SUPPORT SPRING
22	68015287	BH LEVER CRANK CPL.
23	68015288	BH LEVER CRANK SPRING
24	416569801	PHOTO PLATE
25	416310401	BH SPRING PLATE
A5	416569401	PAN HEAD SCREW (L) M3*0.5*L4
A8	416120601	PAN HEAD SCREW (L) M3*0.5*L5
A9	416119201	PAN HEAD SCREW (L) M3*0.5*L6
A17	68015283	PAN HEAD SCREW (L) M4*0.7*L6
A19	416121501	PAN HEAD SCREW (L) M4*0.7*L8
B7	270 004230056	PAN HEAD SCREW (S) M3*0.5*L5
B10	270 004230082	PAN HEAD SCREW (S) M3*0.5*L6
B27	416121201	PAN HEAD SCREW (S) M4*0.7*L6
E2	270 0042200016	TRUSS HEAD SCREW M2*0.4*L3
E9	416570101	TRUSS HEAD SCREW M3*0.5*L16
F1	416686701	WASHER HEAD SCREW M3*0.5*L5
R5	416116001	RING ETW-3, Ø3.2*Ø7*0.6
W6	270 004300096	WASHER Ø4*Ø8*0.5
W12	416185901	WASHER Ø4.2*Ø9*0.5

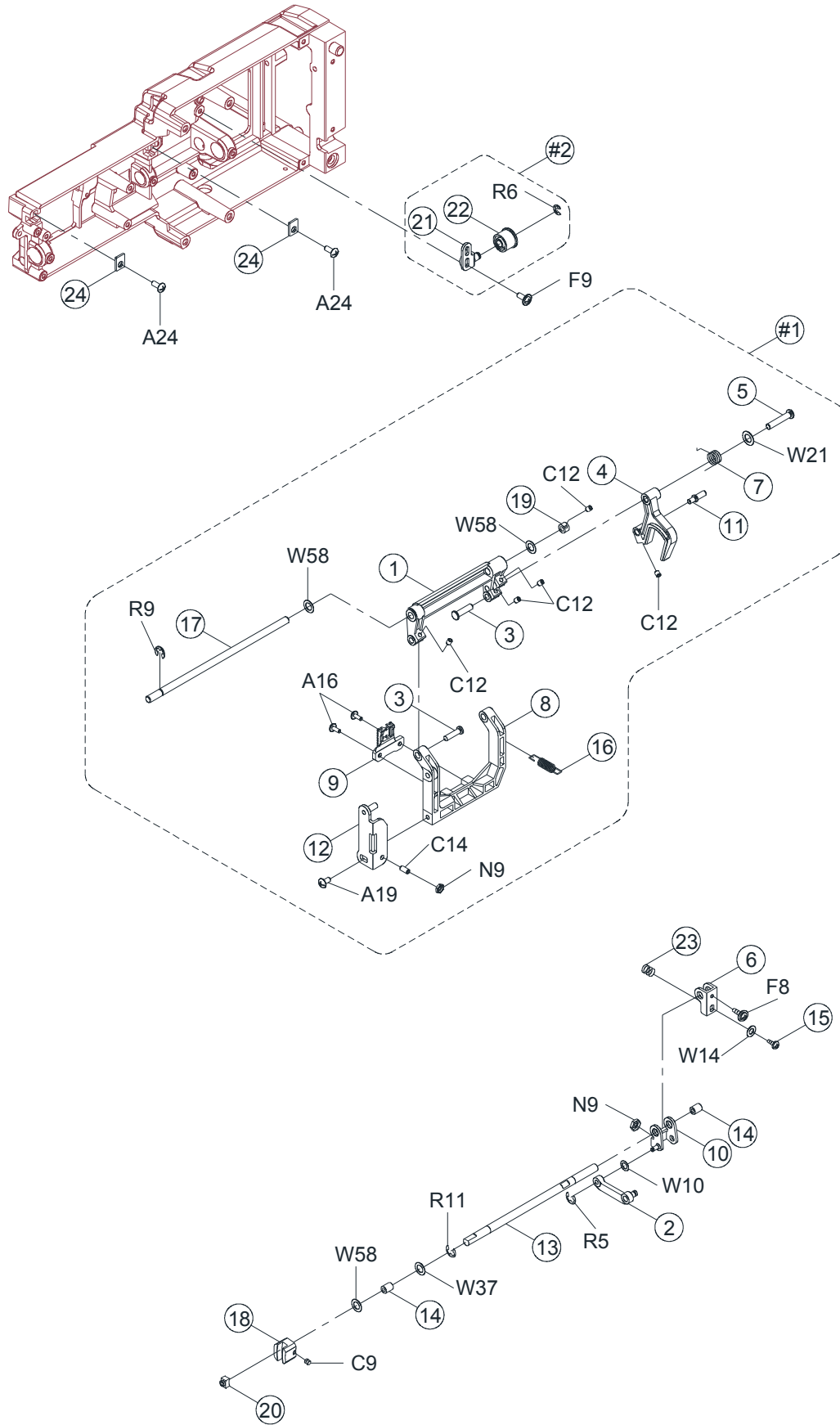


Ref No	Part No	Part Name
#1	416644001	BOBBIN WINDER CPL.
#2	68017007	DIAL TENSION CPL.
#3	68015299	CLAMP PLATE CPL.
1	68015291	BOBBIN WINDER FRAME PLATE CPL.
2	416700601	BOBBIN WINDER CRANK CPL.
3	270 K6A0573003	BOBBIN WINDER CRANK SPRING
4	270 H1A0063003	TENSION LEVER LIFTER
5	416684601	MICRO SWITCH
6	270 H1A0053003	CLAMP PLATE
7	68003659	PRESSER BAR LIFTER LEVER
8	68015292	DIAL TENSION SUPPORTER PLATE CPL.
9	68015293	DIAL TENSION WAFT PLATE
10	416123001	SET SCREW (M4x14 L=37)
11	68015294	DIAL TENSION WAFT TRIMMING PLATE
12	416151701	DIAL TENSION GUIDE SPRING TUBE
13	68015296	DIAL TENSION DISC
14	416146301	DIAL TENSION DISC
15	416412001	DIAL TENSION SPRING REGULATOR
16	416772201	DIAL TENSION SPRING
17	416153801	DIAL TENSION REGULATOR
18	416162501	DIAL TENSION SPRING PLATE
19	416198701	THREAD GUIDE
20	68015297	THREAD GUIDE SPRING
A7	68015295	PAN HEAD SCREW (L) M3*0.5*L5
A19	416121501	PAN HEAD SCREW (L) M4*0.7*L8
B4	416119101	PAN HEAD SCREW (S) M2*0.4*L7.5
B27	416121201	PAN HEAD SCREW (S) M4*0.7*L6
B36	416121701	PAN HEAD SCREW (S) M4*0.7*L15
D4	416121901	FLAT HEAD SCREW M4*0.7*L6
R5	416116001	RING ETW-3, Ø3.2*Ø7*0.6
R9	416116301	RING ETW-5, Ø5*Ø11*0.6
R22	416116701	RING CSTW-5, Ø4.8*Ø10*0.25
W9	416186401	WASHER Ø4.1*Ø8*1
W20	416124501	WASHER Ø5.2*Ø10*0.5
W66	416126001	WASHER Ø5.4*Ø9*1.5*0.3

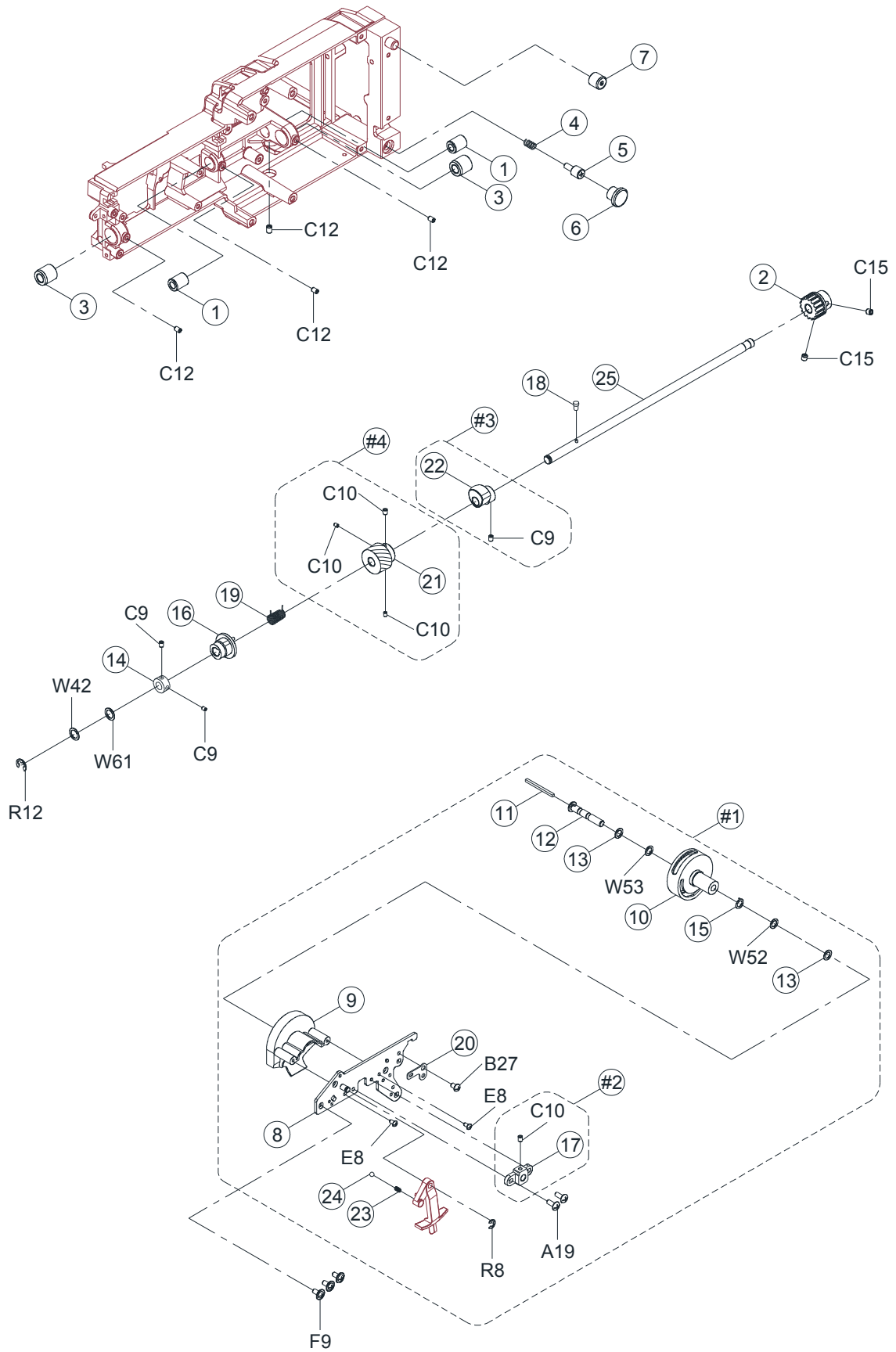
G



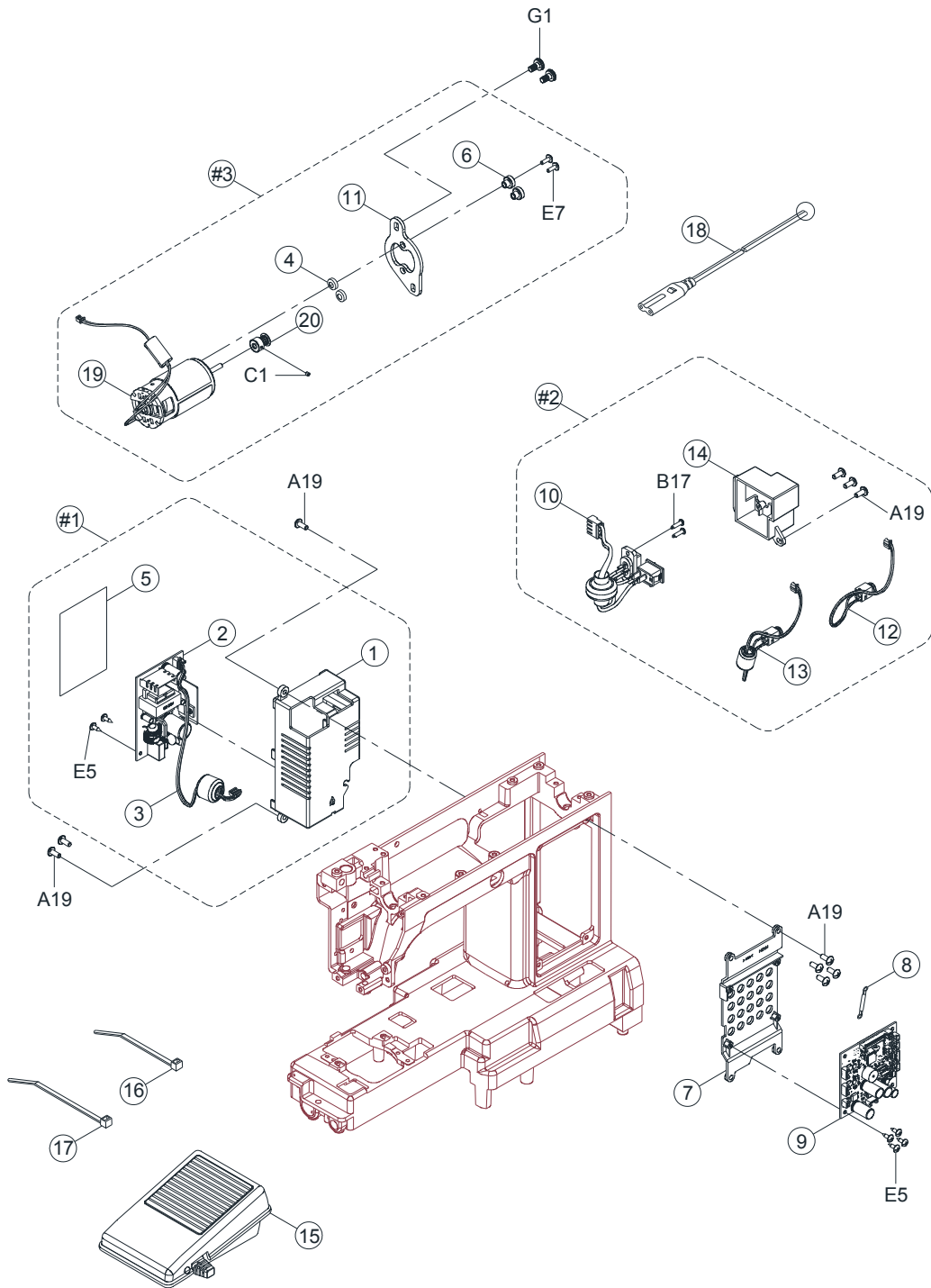
Ref No	Part No	Part Name
#1	68015306	ZIGZAG PULSE MOTOR PLATE CPL.
#2	68015307	PULSE SUPPORT PLATE CPL.
1	68015300	ZIGZAG PULSE MOTOR PLATE CPL.
2	N/A	PULSE MOTOR (SEE COMPL. #1 AND #2)
3	270 P3C0243000	FEED CRANK SHAFT GEAR
4	68015302	PULSE MOTOR GEAR
5	68015304	PULSE SUPPORT PLATE CPL.
6	68015303	ZIGZAG CRANK GEAR
7	416567101	NEEDLE BAR DRIVING ROD
8	270 P3C0123002	NEEDLE BAR DRIVING ROD PLATE
9	416801101	NEEDLE BAR DRIVING ROD PIN
A4	68015301	PAN HEAD SCREW (L) M3*0.5*L3.5
A19	416121501	PAN HEAD SCREW (L) M4*0.7*L8
C1	416120001	SET SCREW M3*0.5*L3
R5	416116001	RING ETW-3, Ø3.2*Ø7*0.6
R8	416116201	RING ETW-4, Ø4*Ø9*0.6
W19	416186201	WASHER Ø5.2*Ø10*0.2



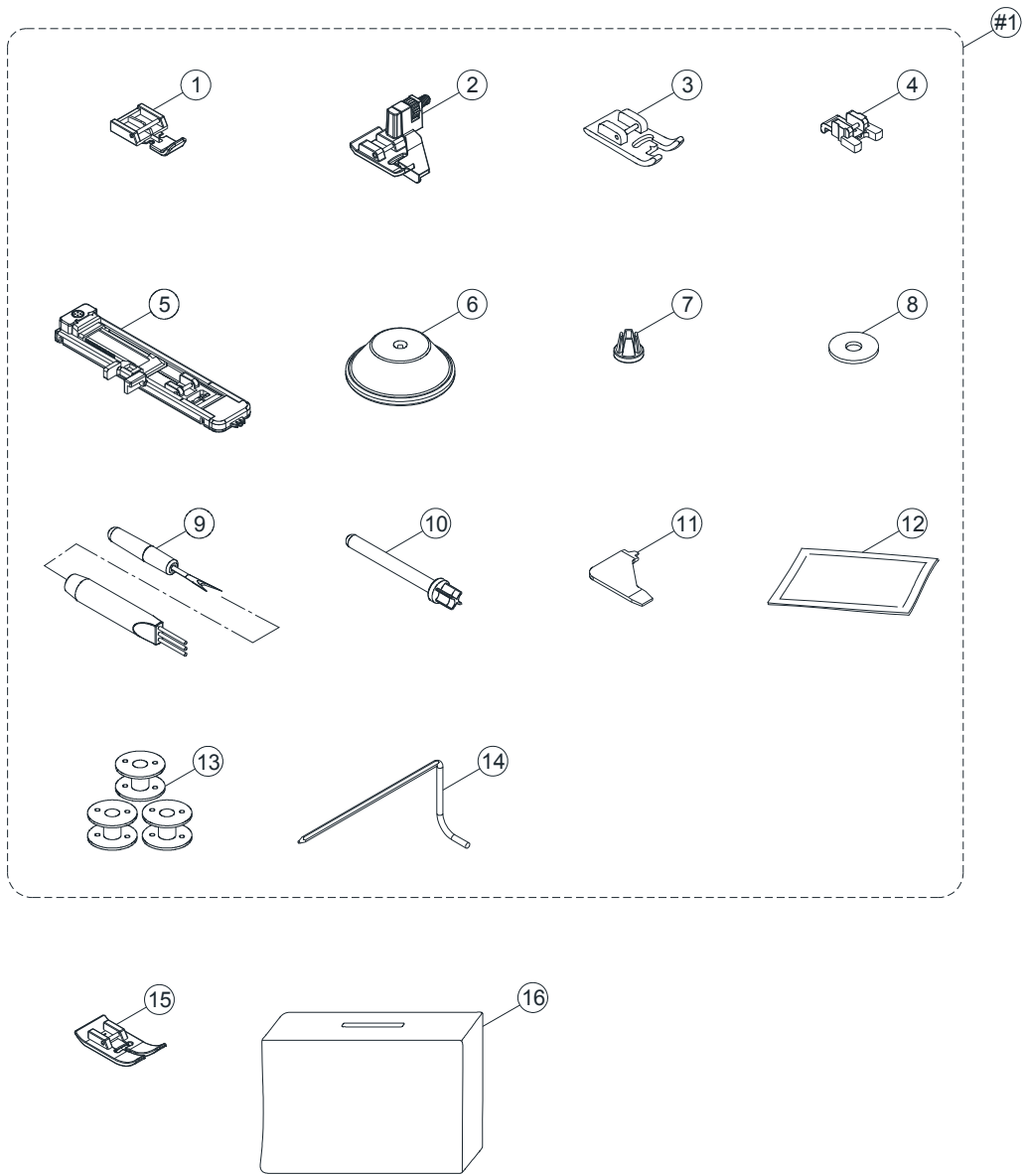
Ref No	Part No	Part Name
#1	68015314	FEED ROCK SHAFT CPL.
#2	416633601	BELT REGULATING PLATE CPL.
1	416570501	FEED ROCK SHAFT
2	416136101	FEED ROCK ROD
3	416192101	FEED DOG SHAFT
4	416192401	FEED ROCK CRANK
5	416192501	FEED ROCK SHAFT
6	416631501	FEED CRANK
7	416195701	FEED ROCK CRANK SPRING
8	416192001	FEED DOG SUPPORTER
9	416498501	FEED DOG
10	416134701	FEED REGULATING CRANK
11	416631301	REGULATING BLOCK SHAFT
12	416192301	FEED LIFTING ROCK CRANK
13	270 H1A0203000	FEED REGULATING SHAFT
14	416156901	FEED ROCK BUSHING
15	416123401	FEED REGULATING CRANK SET SCREW
16	68003066	FEED DOG SPRING
17	416570701	FEED ROCK SHAFT
18	416356501	FEED REGULATING
19	416570801	FEED COLLAR
20	416356601	FEED REGULATING BLOCK
21	416683801	BELT ADJUSTING PLATE
22	416683901	BELT ADJUSTING PLATE PULLEY
23	416571701	FEED REGULATING CRANK SPRING
24	68001430	SET WASHER
A16	270 004235016	PAN HEAD SCREW (L) M3.5*0.6*L8
A19	416121501	PAN HEAD SCREW (L) M4*0.7*L8
A24	416523301	PAN HEAD SCREW (L) M4*0.7*L12
C9	416122401	SET SCREW M4*0.7*L4
C12	416122101	SET SCREW M4*0.7*L6
C14	416185501	SET SCREW M4*0.7*L9
F8	416595701	WASHER HEAD SCREW M3*0.5*L12
F9	270 004240586	WASHER HEAD SCREW M4*0.7*L8
N9	68015308	SCREW M4*0.7*2.1
R5	416116001	RING ETW-3, Ø3.2*Ø7*0.6
R9	416116301	RING ETW-5, Ø5*Ø11*0.6
R11	416116301	RING ETW-5, Ø5*Ø11*0.6
W10	416124101	WASHER Ø4.2*Ø8*0.8
W14	416595801	WASHER Ø4.2*Ø10*0.5
W37	416124001	WASHER Ø6.7*Ø12*1
W58	416125601	WASHER Ø6.7*Ø11.8*0.5



Ref No	Part No	Part Name
#1	68017008	ROTARY HOOK HOLDER CPL.
#2	68015319	ROTARY HOOK SUPPORTER CPL.
#3	68015320	FEED ROCK CAM CPL.
#4	416197101	LOWER SHAFT GEAR CPL.
1	416156901	FEED ROCK BUSHING
2	270 H1A0463000	LOWER SHAFT BELT PULLEY
3	416141701	LOWER SHAFT BUSHING
4	416147301	BASE PLATE ADJUSTMENT SPRING
5	416154601	BASE PLATE ADJUSTMENT SCREW
6	416526001	FREE ARM BASE CUSHION
7	68003263	FREE ARM BASE CUSHION
8	416572401	ROTARY HOOK HOLDER CPL.
9	68013932	SHUTTLE HOOK COVER
10	416479801	SHUTTLE HOOK HOLDER
11	416155801	BOBBIN SHAFT OIL CLOTH
12	416145401	BOBBIN SHAFT
13	416155601	BOBBIN SHAFT WASHER (2)
14	416158801	LOWER SHAFT COLLAR
15	416155701	BOBBIN SHAFT WASHER (3)
16	416191201	FEED LIFTING ROCK CAM
17	416143401	ROTARY HOOK SUPPORTER
18	416191301	FEED LIFTING ROCK COM PIN
19	416191401	LOWER SHAFT SPRING
20	416191801	ROTARY HOOK HOLDER POSITIONED PLATE
21	68013976	LOWER SHAFT GEAR
22	68003196	FEED ROCK CAM
23	416145001	SPRING
24	416415501	BALL
25	270 H1A0133000	LOWER SHAFT
A19	416121501	PAN HEAD SCREW (L) M4*0.7*L8
B27	416121201	PAN HEAD SCREW (S) M4*0.7*L6
C1	416120001	SET SCREW M3*0.5*L3
C9	416122401	SET SCREW M4*0.7*L4
C10	416121001	SET SCREW M4*0.7*L5
C12	416122101	SET SCREW M4*0.7*L6
C15	270 004250203	SET SCREW M5*0.8*L5
E8	416119501	TRUSS HEAD SCREW M3*0.5*L12
F9	270 004240586	WASHER HEAD SCREW M4*0.7*L8
R8	416116201	RING ETW-4, Ø4*Ø9*0.6
R12	416116401	RING ETW-6, Ø6*Ø12*0.8
W42	416186501	WASHER Ø8.2*Ø12*0.5
W52	68013850	WASHER Ø6.2*Ø9.6*0.25
W53	416125901	WASHER Ø6.2*Ø9.6*0.5
W61	416125801	WASHER Ø8.2*Ø12*0.5



Ref No	Part No	Part Name
#1	68015334	HF TRANSFORMER BOX CPL.
#2	68017015	RECEPTACLE HOLDER CPL. FOR 230V
#2	68017016	RECEPTACLE HOLDER CPL. FOR 120V
#3	68015337	DC MOTOR CPL.
1	416643201	HF TRANSFORMER BOX
2	68015321	HF TRANSFORMER CPL.
3	68015322	HF TRANSFORMER WIRE
4	416418901	INSULATION SPACER
5	270 008H1A0027	SMPS INSULATING SLICE
6	416419001	INSULATION SPACER
7	68015323	FRAME OF MAIN CIRCUIT BOARD
8	416687301	GROUND CONNECTION
9	68017012	MAIN CIRCUIT BOARD
10	68009202	SWITCH RECEPTACLE ASS'Y FOR 230V
10	68009203	SWITCH RECEPTACLE ASS'Y FOR 120V
11	68015333	MOTOR BRACKET
12	68020225	CONTROLLER RECEPTACLE FOR 230V
13	416685401	CONTROLLER RECEPTACLE FOR 120V
14	68017013	RECEPTACLE HOLDER
15	68011738	FOOT CONTROLLER
16	416113901	CORD CLIP
17	416115501	CORD CLIP (L=20)
18	412157801	POWER CORD CPL. FOR 230V
18	412157903	POWER CORD CPL. FOR 120V
19	68017014	DC MOTOR
20	416418801	MOTOR WHEEL
A19	416121501	PAN HEAD SCREW (L) M4*0.7*L8
B17	270 004230326	PAN HEAD SCREW (S) M3*0.5*L12
E5	416681501	TRUSS HEAD SCREW M3*0.5*L8.5
E7	416120201	TRUSS HEAD SCREW M3*0.5*L10
G1	68013176	SEMS SCREW M5*0.8*L12



Ref No	Part No	Part Name
#1	68017023	ACCESSORY CPL.
1	416128701	ZIPPER FOOT (I)
2	416437101	BLIND HEM FOOT (F)
3	416437201	SATIN STITCH FOOT
4	416284501	BUTTON SEWING FOOT
5	68017017	BUTTONHOLE FOOT
6	68003700	SPOOL HOLDER (LARGE)
7	68003701	SPOOL HOLDER (SMALL)
8	416127301	SPOOL PIN FELT
9	416127701	BRUSH & SEAM RIPPER CPL.
10	68003702	SECOND SPOOL PIN
11	68000177	L-SCREWDRIVER
12		NEEDLE (3 PCS FOR 1 PACK)
13	68000175	BOBBIN
14	68017018	SEAM GUIDE / QUILTING BAR
15	68017019	ALL PURPOSE FOOT (T)
16	68017022	SOFT COVER