

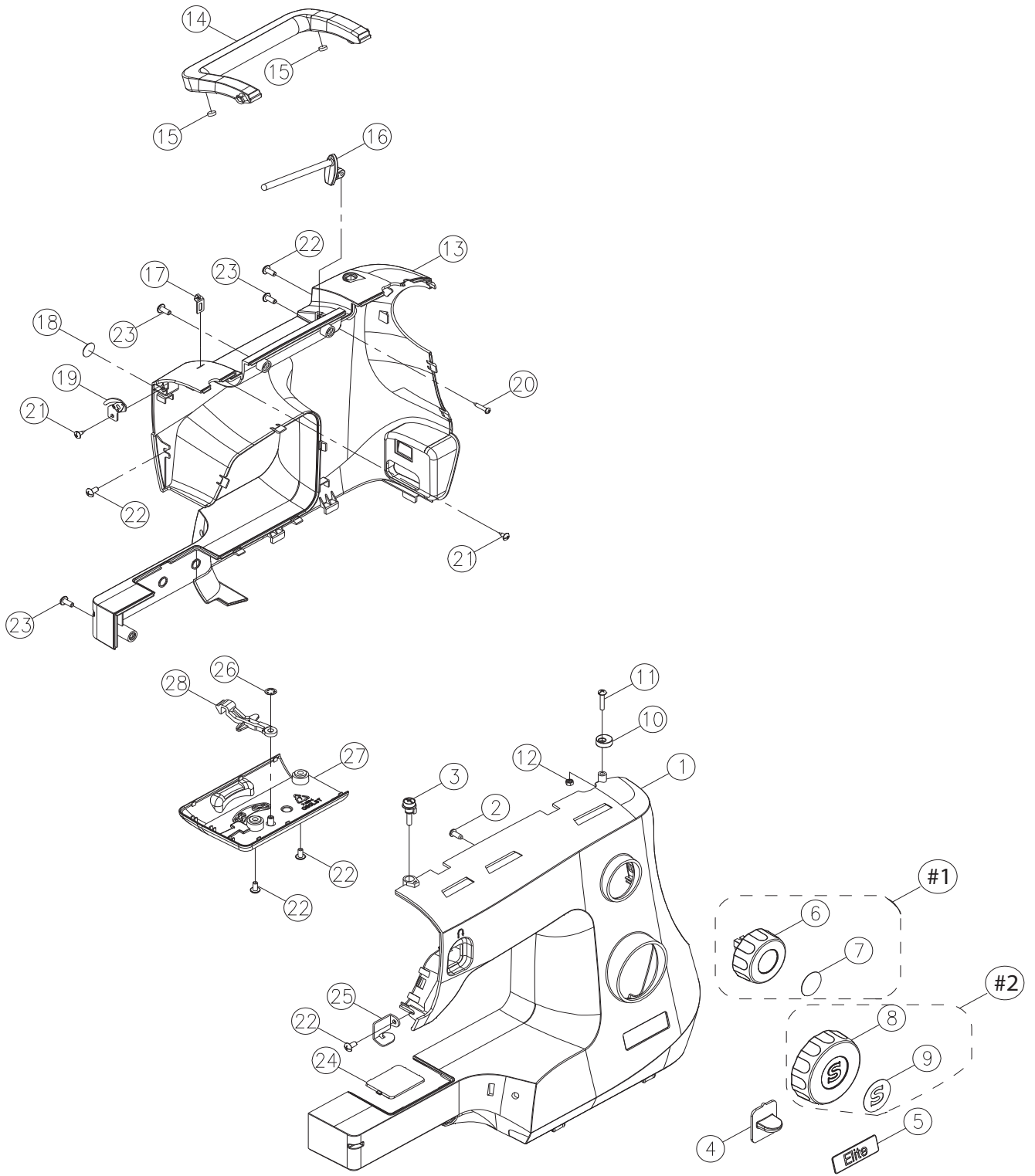


SINGER®

ME457

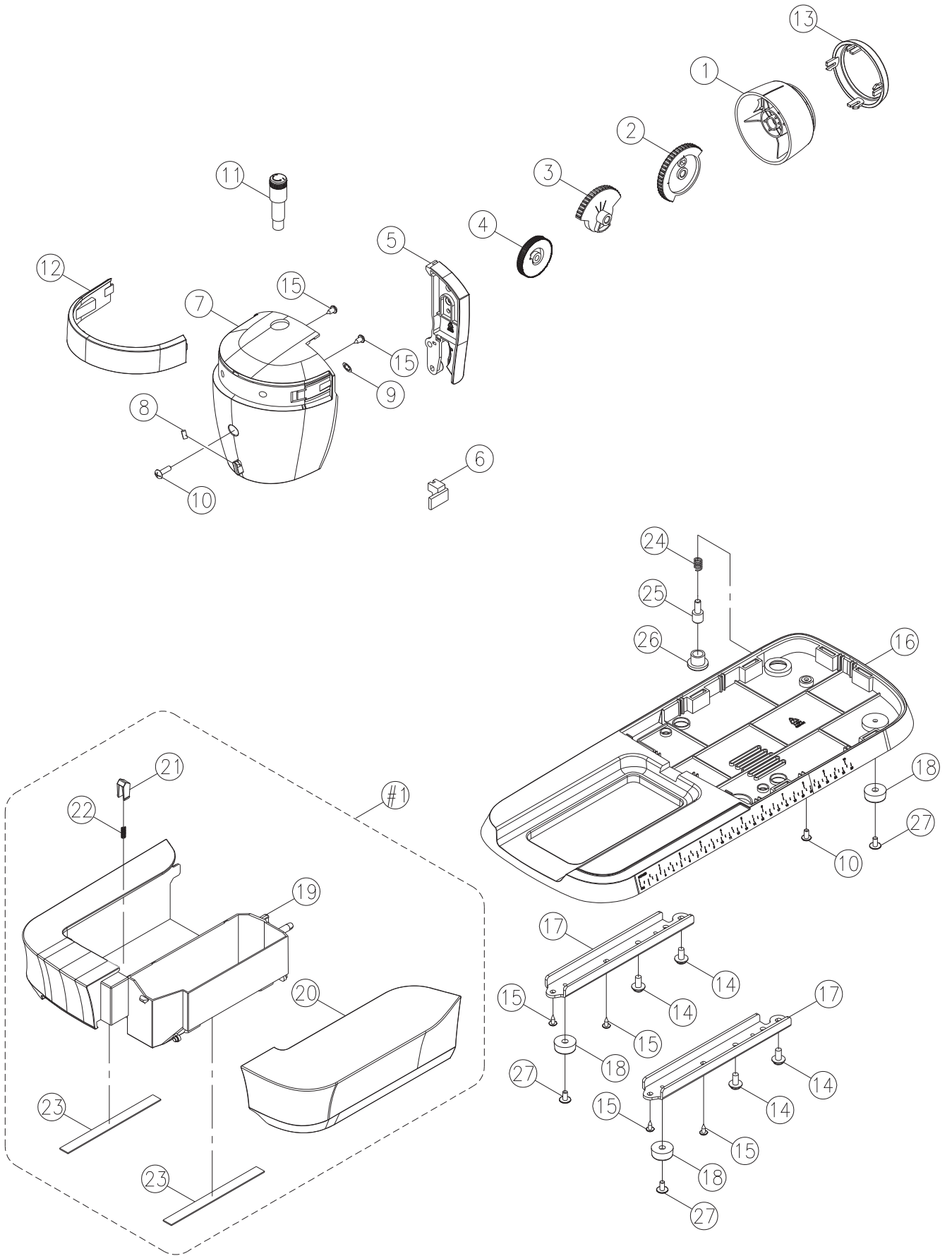
Liste de pièces
Lista de Piezas
Parts List

A



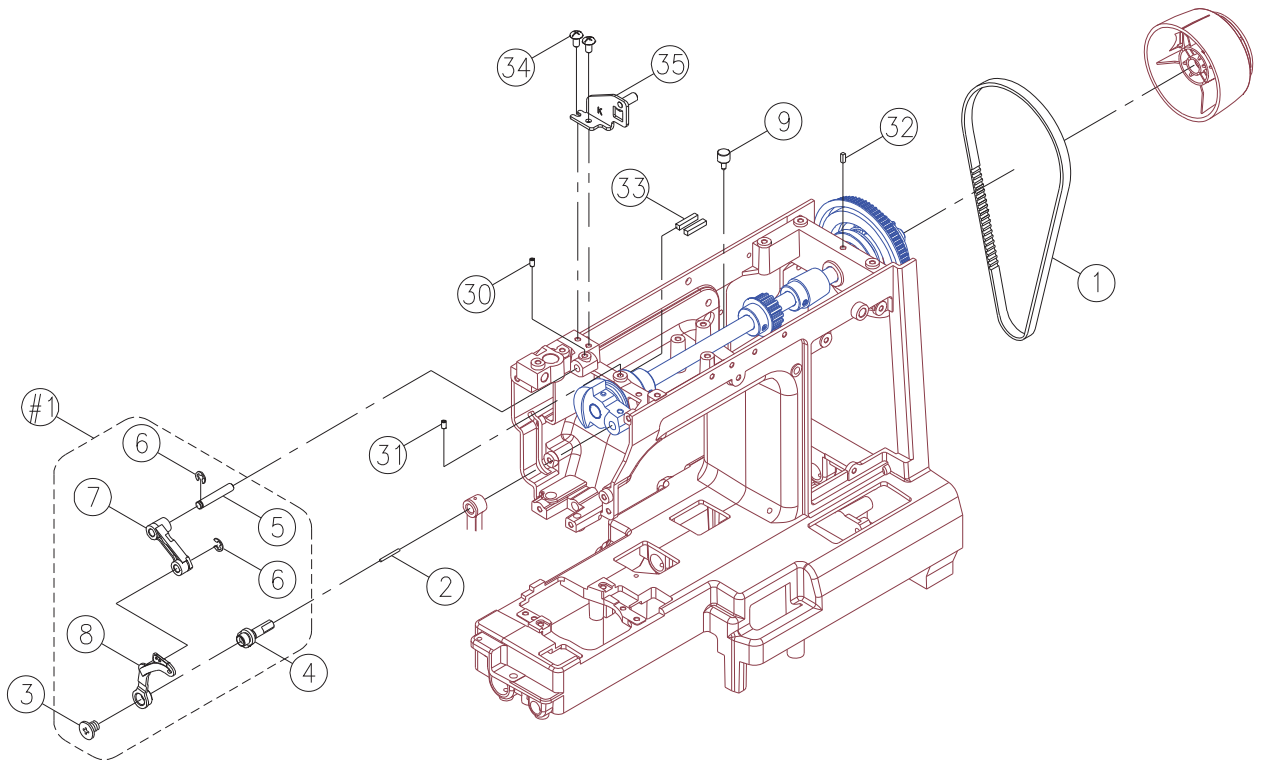
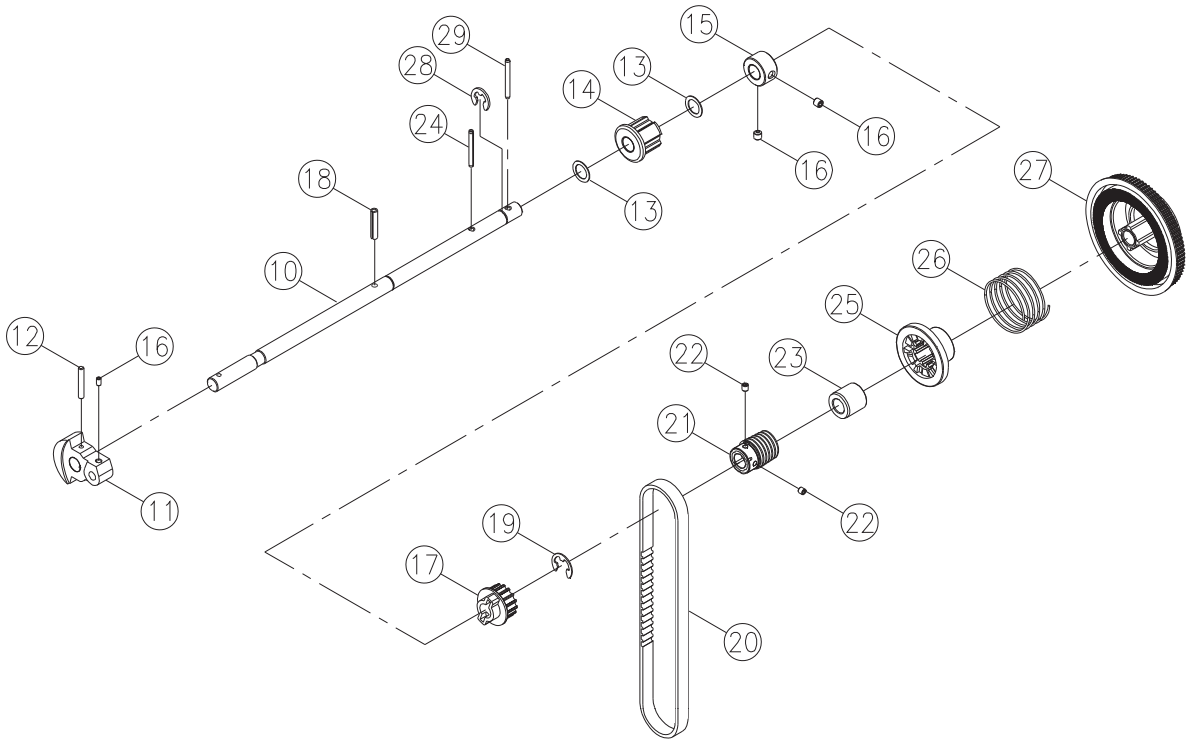
Ref No	Part No	Part Name
1	68016795	FRONT COVER
2	270 004240186	SET SCREW (M4×15 B)
3	416804901	BOBBIN WINDER THREAD GUIDE CPL.
4	68016804	REVERSE BUTTON
5	68016952	ELECTROFORM NAMEPLATE
6	See #1	STITCH LENGTH DIAL
7	See #1	STITCH LENGTH DIAL PANEL
8	See #2	PATTERN SELECTOR DIAL
9	See #2	PATTERN SELECTOR DIAL PANEL
10	416554101	BOBBIN WINDER
11	416174001	SET SCREW (9/64x40x16)
12	416126301	NUT (9/64x40 t=3)
13	68016889	BACK COVER
14	68016894	HANDLE
15	68015189	SPACER
16	416804601	SPOOL PIN BASE
17	416804501	THREAD GUIDE
18	68013144	PLATE (1)
19	68003576	THREAD GUIDE CPL.
20	416718401	SET SCREW (M3x12 B)
21	416681501	SET SCREW (M3x8.5)
22	416121501	SET SCREW (M4x8 A)
23	416122201	SET SCREW (M4x10 B)
24	68016939	NEEDLE PLATE COVER
25	416145101	ARM TOP COVER THREAD GUIDE PLATE
26	416116701	CS-RING (CSTW-5)
27	68016941	FREE ARM BASE
28	416804801	TOOTH LEVER ARM
#1	68022446	STITCH LENGTH DIAL CPL.
#2	68022454	PATTERN SELECTOR DIAL CPL.

B



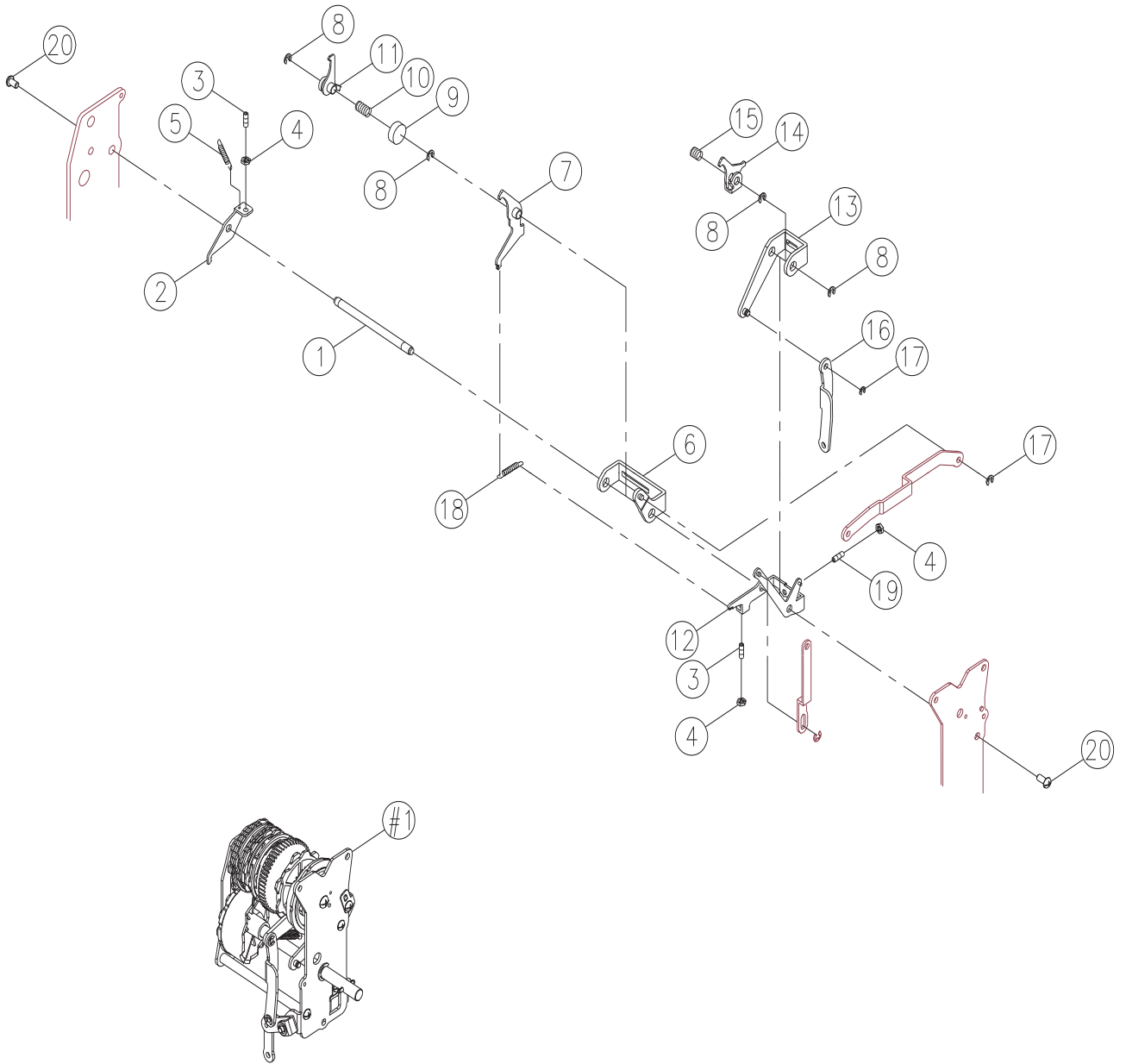
Ref No	Part No	Part Name
#1	68017045	SEWING TABLE BODY COMPLETE
1	68016959	HAND WHEEL
2	68016960	ZIGZAG WIDTH DIAL
3	68016962	NEEDLE POSITION BUTTON
4	68016963	DIAL TENSION KNOB
5	68016964	DIAL TENSION SUPPORTER PLATE COVER
6	416310901	BH LEVER BUTTON
7	68016974	FACE COVER
8	412423701	CUTTER
9	416116701	CS-RING (CSTW-5)
10	416121501	SET SCREW (M4x8 A)
11	416730701	PRESSER BAR REGULATING SCREW
12	68017039	FACE COVER PANEL
13	68016990	HAND WHEEL PLATE
14	270 004250426	SET SCREW (M5x10)
15	416681501	SET SCREW (M3x8.5)
16	68017042	BASE
17	416466301	FREE ARM FOOT
18	68012007	FREE ARM BASE CUSHION RUBBER
19	68017043	SEWING TABLE BODY
20	68017044	SEWING TABLE BODY COVER
21	416424501	SEWING TABLE BODY GUIDE
22	416424401	SEWING TABLE BODY GUIDE SPRING
23	416633701	SEWING TABLE BODY FELT
24	416154401	SPRING
25	416154601	ADJUSTMENT SCREW
26	416526001	FREE ARM BASE CUSHION
27	270 004240586	SET SCREW (M4x8)

C



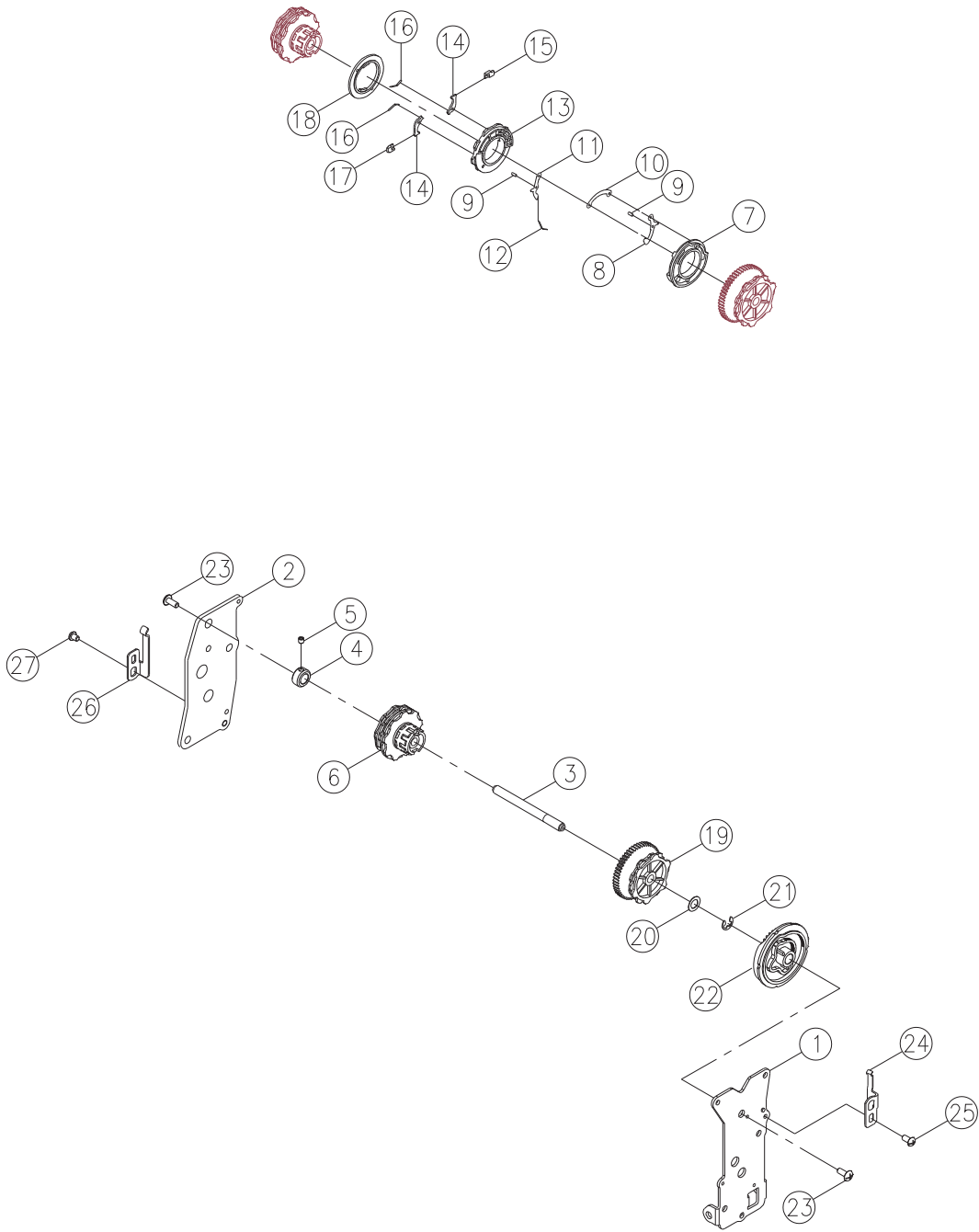
Ref No	Part No	Part Name
#1	416466701	THREAD TAKE UP LEVER CPL.
1	416466401	BELT
2	416543401	OIL COTTON
3	416404501	SET SCREW (9/64x40x5)
4	416543201	ARM SHAFT BALANCE PIN CPL.
5	416162201	THREAD TAKE UP LEVER SUPPORTER SHAFT
6	416116001	E-RING (ETW-3)
7	416466701	THREAD TAKE UP LEVER SUPPORTER
8	416466701	THREAD TAKE UP LEVER
9	416577401	PIN
10	68017049	ARM SHAFT
11	416542401	ARM SHAFT BALANCE
12	416117701	ARM SHAFT BALANCE PIN (3.5x24)
13	416125101	ENDURE ATTRITION WASHER (10.2x15x0.5)
14	416727201	ARM SHAFT BUSING
15	416156501	ARM SHAFT COLLAR
16	270 004250203	SET SCREW (M5x5 C)
17	416680201	ARM SHAFT SPROCKET
18	416117601	SPRIN PIN (3x18)
19	416116501	E-RING (ETW-9)
20	416727301	BELT
21	68013256	ARM SHAFT WORM CPL.
22	416122401	SET SCREW (M4x4 C)
23	416727401	ARM SHAFT BUSING
24	270 003043028	SPRIN PIN (3x28)
25	416307201	CLUTCH SLEEVE
26	270 D5A0573003	ARM SHAFT CLUTCH ANNULUS SPRING
27	416542801	ARM SHAFT DRIVER BELT PULLEY
28	416542901	E-RING (ETW-8)
29	416680701	SPRIN PIN (3x30)
30	416121001	SET SCREW (M4x5 C)
31	416122101	SET SCREW (M4x6 C)
32	416543001	OIL COTTON
33	416727501	OIL COTTON
34	416121501	SET SCREW (M4x8 A)
35	68017050	HANDLE BRACKET CPL.

D



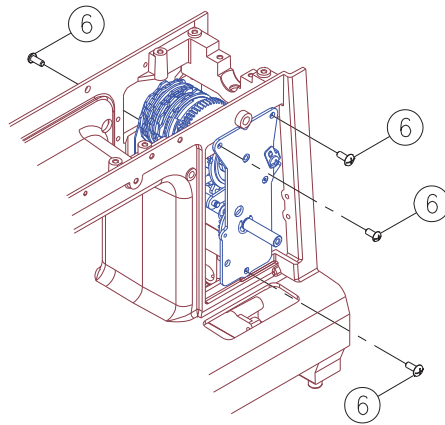
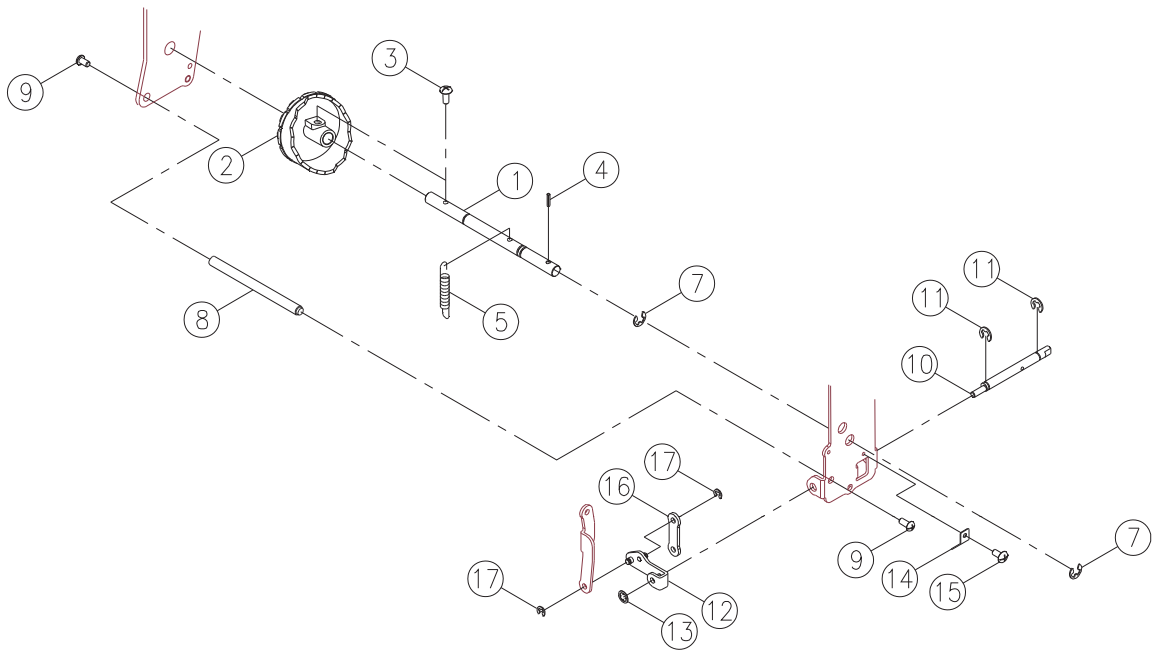
Ref No	Part No	Part Name
#1	68017053	PATTERN CAM CONTACT CPL.
1	416598001	ZIGZAG CAM CONTACT SUPPORTER SHAFT
2	416544901	ZIGZAG RELEASE PLATE
3	416185501	SET SCREW (M4x0.7 L9)
4	68015308	NUT (ALN-4)
5	68017051	ZIGZAG RELEASE PLATE SPRING
6	416545101	ZIGZAG CAM CONTACT SUPPORTER
7	416545201	BH FEED CRANK
8	416183801	E-RING (ETW-5)
9	416545301	SPRING PEDESTAL
10	68013835	ZIGZAG CAM CONTACT SPRING
11	416545501	ZIGZAG CAM CONTACT
12	416545601	BH ADJUSTING CRANK
13	416545701	SS CAM CONTACT SUPPORTER
14	416597501	SS CAM CONTACT
15	416166401	SS CAM CONTACT SPRING
16	416546001	FEED ROCK SHAFT
17	416116001	E-RING (ETW-3)
18	416187301	BH FEED CRANK SPRING
19	416122701	SET SCREW (M4x0.7 L12)
20	416119201	SET SCREW (M3x6 A)

E

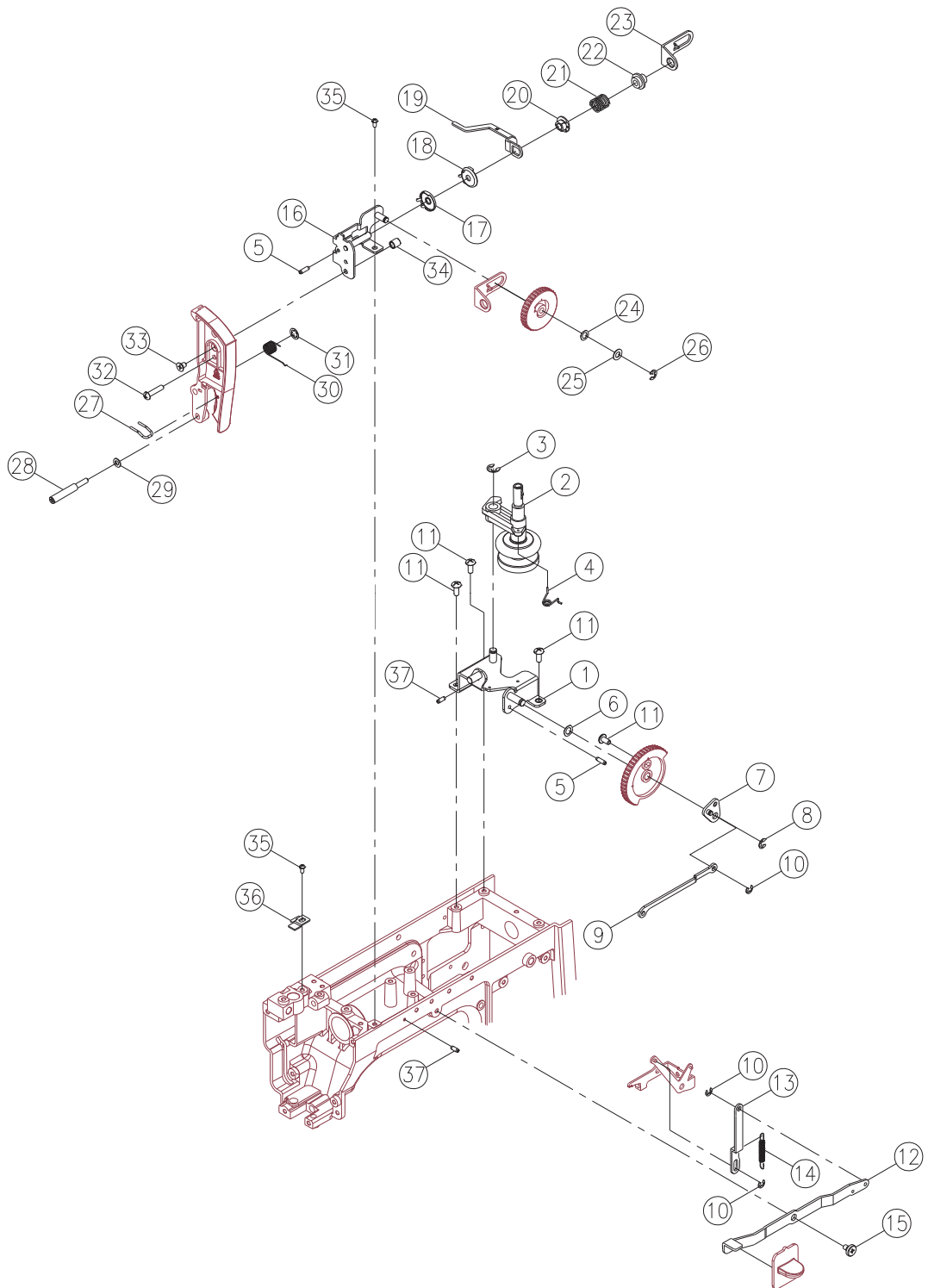


Ref No	Part No	Part Name
1	416543501	PATTERN CAM CONTACT PLATE (FRONT)
2	416543701	PATTERN CAM CONTACT PLATE (BACK)
3	416543801	PATTERN CAM SHAFT
4	416151801	PATTERN CAM SHAFT COLLAR
5	416122401	SET SCREW (M4x4 C)
6	68003183	PATTERN CAM
7	416543901	BH FEED REGULATOR CAM
8	416544001	BH CLUTCH CONTACT A
9	416229201	BH CLUTCH SHAFT
10	416544101	BH CLUTCH LEVER
11	416544201	BH CLUTCH CONTACT B
12	416229601	BH CLUTCH SPRING PLATE
13	416544301	BH CAM
14	416544401	BH CONTACT
15	416544501	BH SLIDE BLOCK R
16	416544601	BH CONTACT SPRING PLATE
17	416544701	BH SLIDE BLOCK L
18	416544801	STRAIGHT STITCH CAM
19	416427901	SS CAM
20	416228101	WASHER (8.2x14x0.5)
21	416116401	E-RING (ETW-6)
22	68003182	FEED REGULATOR CAM
23	416121501	SET SCREW (M4x8 A)
24	416546501	FEED REGULATOR FIX PLATE
25	416524501	SET SCREW (M4x4 B)
26	416195301	PATTERN FIX SPRING PLATE
27	416226601	SET SCREW (M4x5 B)

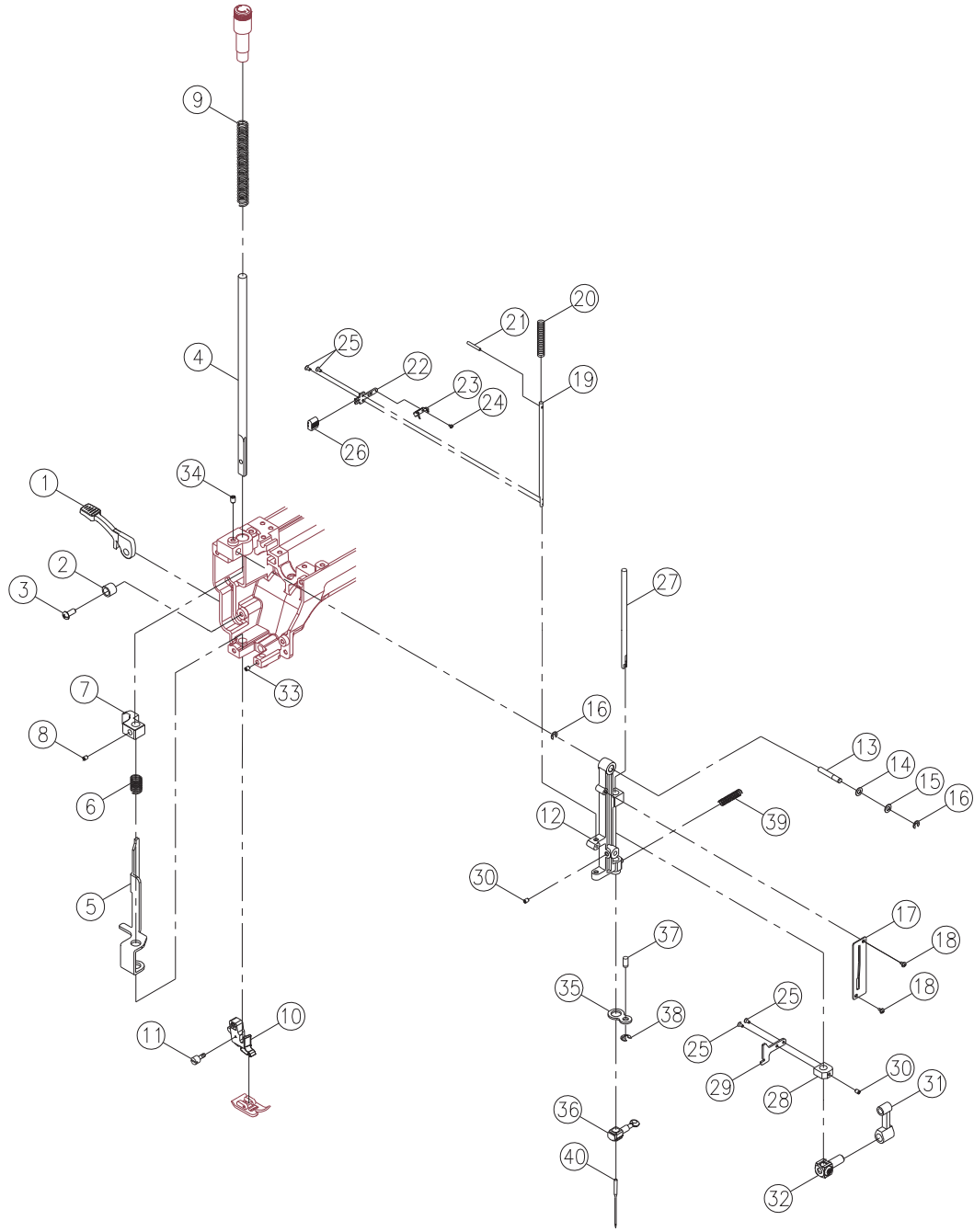
F



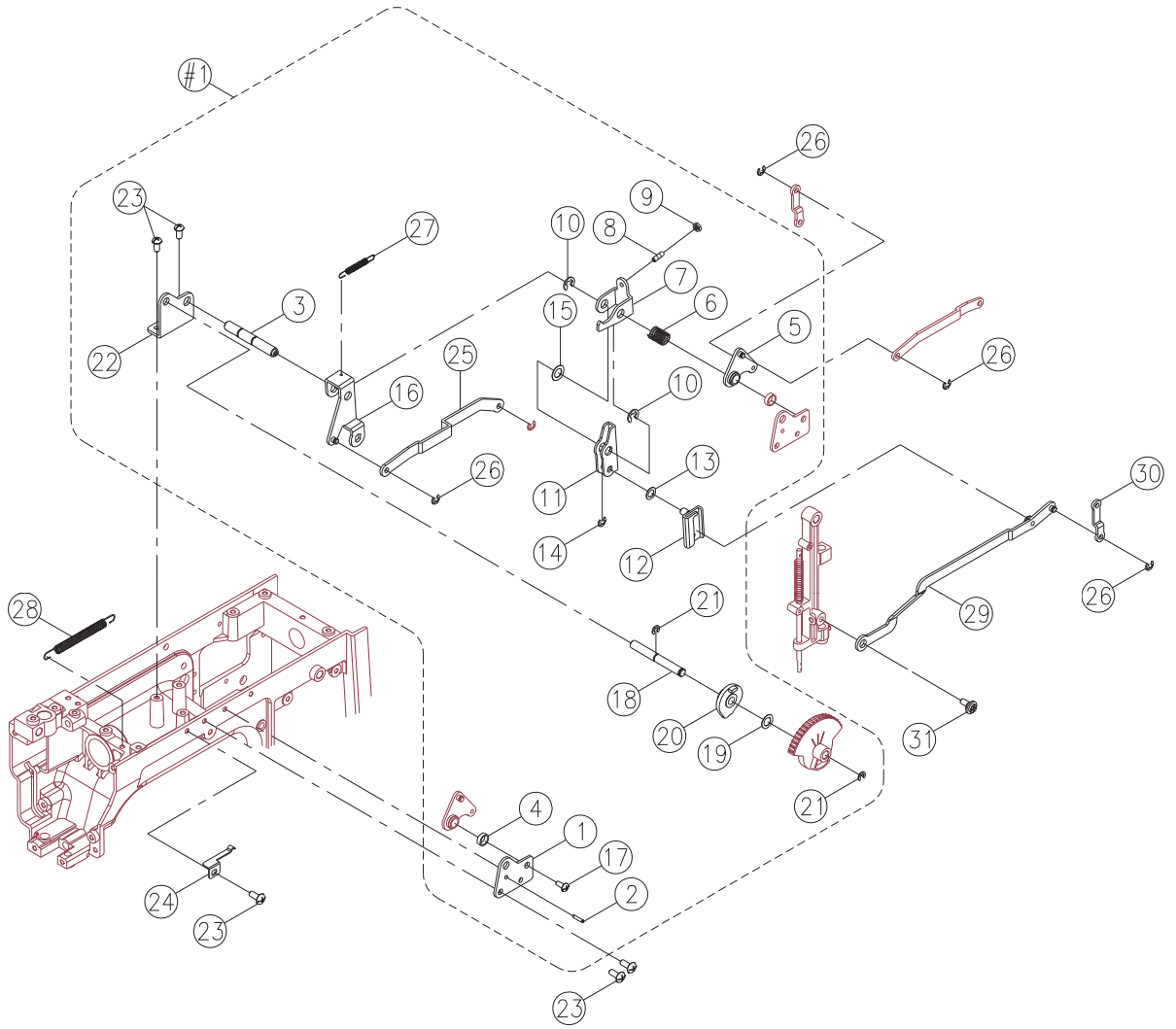
Ref No	Part No	Part Name
1	416599501	PATTERN SELECTOR CAM SHAFT
2	416727701	PATTERN SELECTOR CAM
3	416185201	SET SCREW (M4x10)
4	416183901	SPRING PIN (2.5x16)
5	416546301	FEED REGULATING CRANK SPRING
6	416121501	SET SCREW (M4x8 A)
7	416116401	E-RING (ETW-6)
8	416546401	PATTERN CAM CONTACT SUPPORTER SHAFT
9	416119201	SET SCREW (M3x6 A)
10	68015439	TRIMMING SHAFT
11	416116101	E-RING (ETW-4)
12	416546801	ADJUSTING PLATE
13	416225801	CS-RING (CSTW-4)
14	416546901	TRIMMING SHAFT PLATE
15	416120601	SET SCREW (M3x5 A)
16	416547001	FEED REGULATING ROD
17	416116001	E-RING (ETW-3)



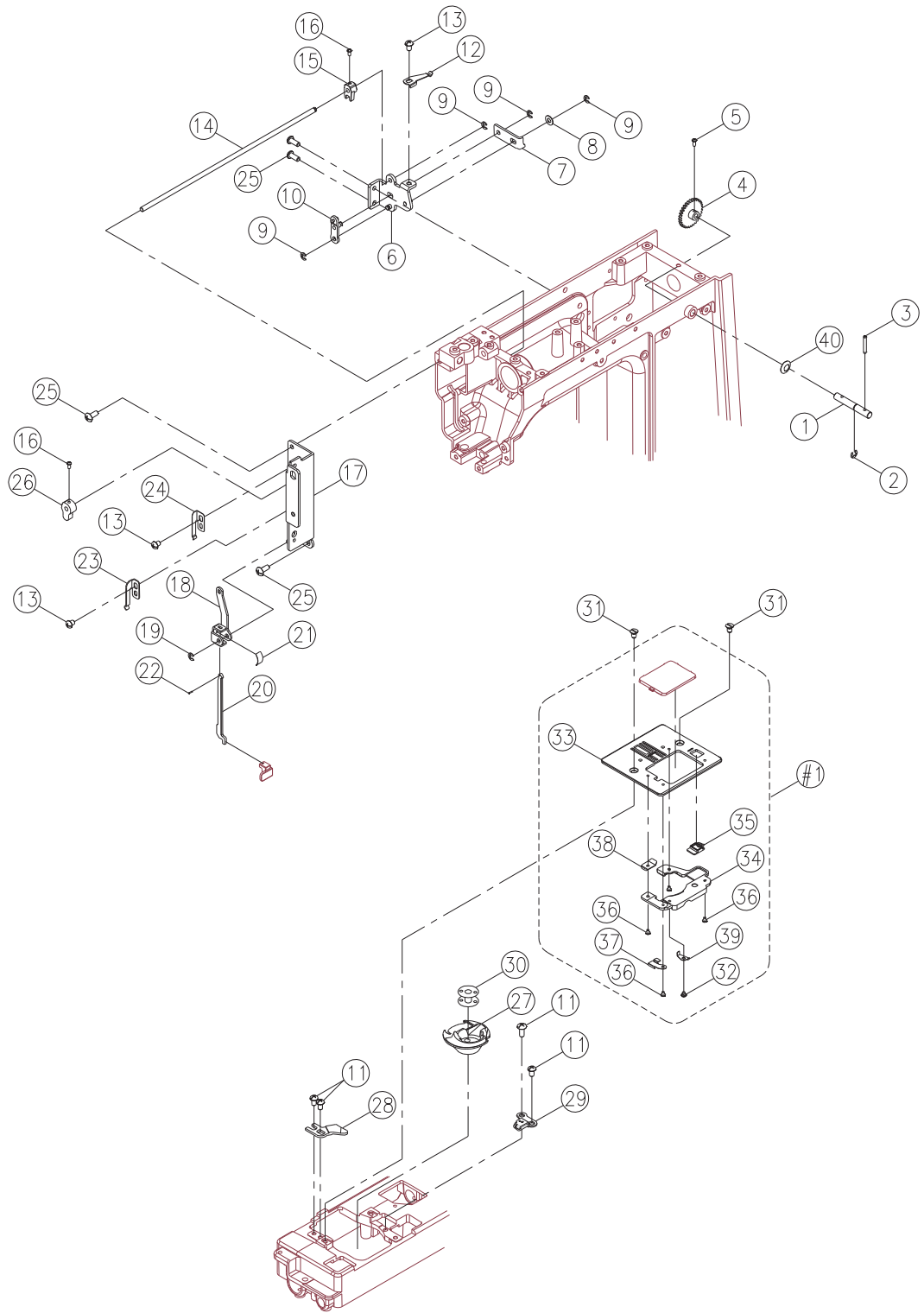
Ref No	Part No	Part Name
1	68017055	BOBBIN WINDER FRAME PLATE CPL.
2	416700601	BOBBIN WINDER CRANK CPL.
3	416116301	E-RING (ETW-5)
4	270 K6A0573003	BOBBIN WINDER CRANK SPRING
5	416117501	SPRING PIN (3x10)
6	416186901	WASHER (6.4x11x1x0.15)
7	416551101	ZIGZAG REGULATOR CRANK
8	416116201	E-RING (ETW-4)
9	68017056	ZIGZAG WIDTH ADJUSTMENT ROD
10	416116001	E-RING (ETW-3)
11	416121501	SET SCREW (M4x8 A)
12	416802801	REVERSE LEVER
13	416802801	REVERSE ROD
14	416155001	AUTO THREADED LEVER SPRING
15	416716301	SET SCREW (M4x4.5)
16	416735001	DIAL TENSION SUPPORTER PLATE CPL.
17	416153601	DIAL TENSION DISC
18	416146301	DIAL TENSION DISC
19	416735101	DIAL TENSION WAFT PLATE
20	416526801	DIAL TENSION SPRING REGULATOR
21	416155901	DIAL TENSION SPRING
22	416153801	DIAL TENSION REGULATOR
23	416162501	DIAL TENSION SPRING PLATE
24	416126001	WASHER (WW-5)
25	416124501	WASHER (5.2x10x0.5)
26	416116101	E-RING (ETW-4)
27	416198701	THREAD GUIDE
28	68013222	SET SCREW (M4x0.7 L42)
29	416124101	WASHER (4.2x8x0.8)
30	416162601	DIAL TENSION SPRING
31	416116701	CS-RING (CSTW-5)
32	416121701	SET SCREW (M4x15 B)
33	416121901	SET SCREW (M4x6 D)
34	416151701	DIAL TENSION GUIDE SPRING TUBE
35	416121201	SET SCREW (M4x6 B)
36	416527201	TENSION LEVER REGULATING PLATE
37	270 003043008	SPRING PIN (3x8)



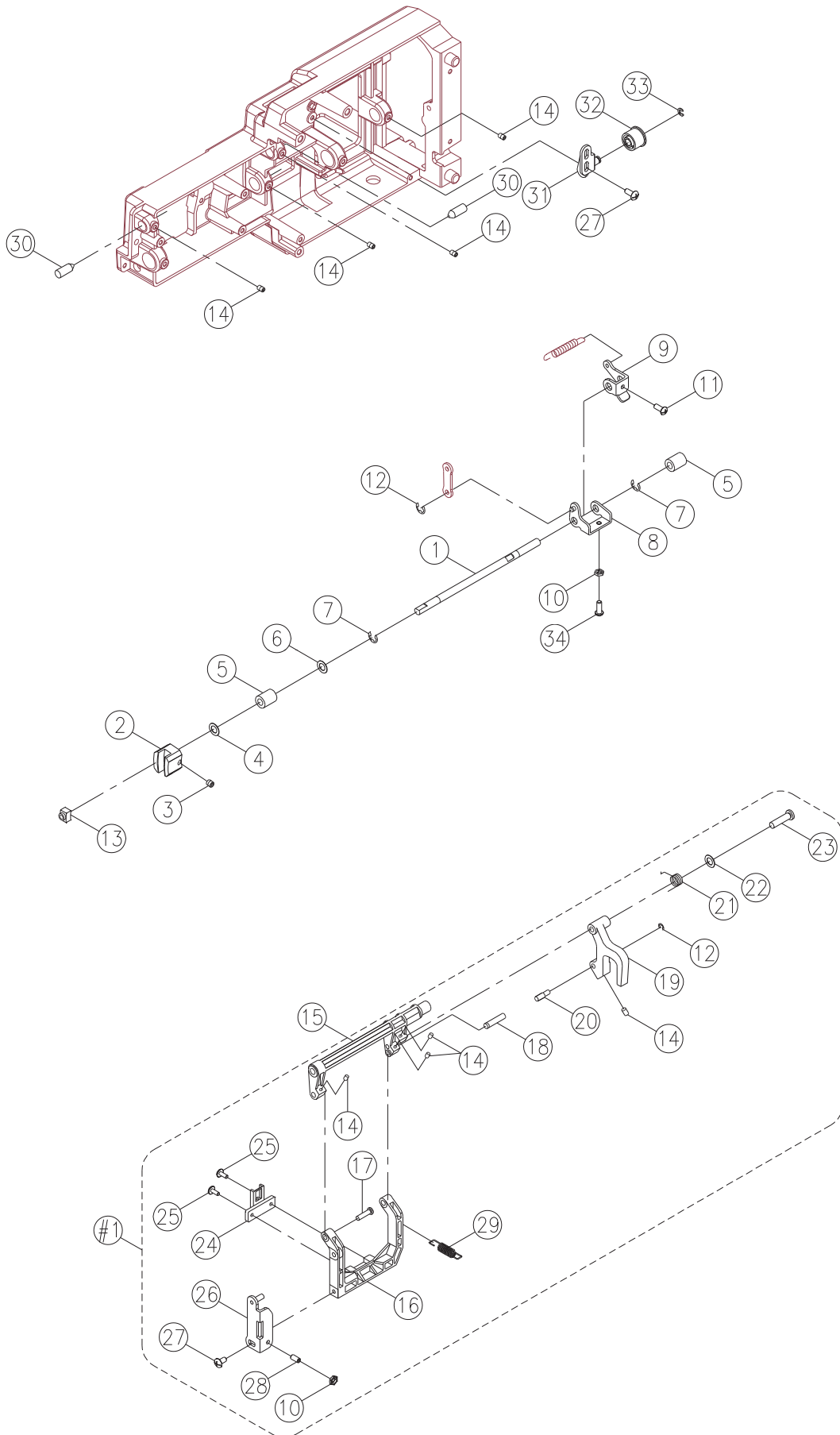
Ref No	Part No	Part Name
1	416466901	PRESSER BAR LIFTER LEVER
2	416162101	PRESSER BAR LIFTER LEVER SCREW WASHER
3	416121101	SET SCREW (M4x10 B)
4	416173401	PRESSER BAR
5	416730201	TENSION LEVER LIFTER
6	416151601	TENSION LEVER LIFTER SPRING
7	416151401	PRESSER BAR BRACKET
8	416151401	SET SCREW (M6x5 C)
9	416173501	PRESSER BAR SPRING
10	68017005	SHANK CPL.
11	416118401	SET SCREW (9/64x40x7.5)
12	270 Q6A0053000	NEEDLE BAR SUPPORTER
13	416189301	NEEDLE BAR SUPPORTER PIN
14	416186901	WASHER (WW-6)
15	416185801	WASHER (6.5x13x1)
16	416116201	E-RING (ETW-4)
17	416189801	THREADING GUIDE
18	416119201	SET SCREW (M3x6 A)
19	416189901	THREADING SHAFT
20	416190001	THREADING SHAFT SPRING
21	270 003045014	PIN (2x14)
22	416190201	THREADING PLATE
23	416190401	THREADING SHAFT CPL.
24	416184301	SET SCREW (M1.6x3)
25	416184401	SET SCREW (M2x4)
26	416190301	THREADING BUTTON
27	416466801	NEEDLE BAR
28	416189601	THREADING STOPPER
29	416493901	THREADING STOP HOLDER
30	416184601	SET SCREW (M3x4 C)
31	416245501	NEEDLE BAR CRANK ROD
32	416150801	NEEDLE BAR BRACKET CPL.
33	416121001	SET SCREW (M4x5 C)
34	416122101	SET SCREW (M4x6 C)
35	416682401	NEEDLE BAR SWING RING
36	416245301	NEEDLE CLAMP CPL.
37	68014111	NEEDLE BAR SUPPORTER PIN
38	416116101	E-RING (ETW-4)
39	416152701	NEEDLE BAR SUPPORTER SPRING
40		NEEDLE (14/90)



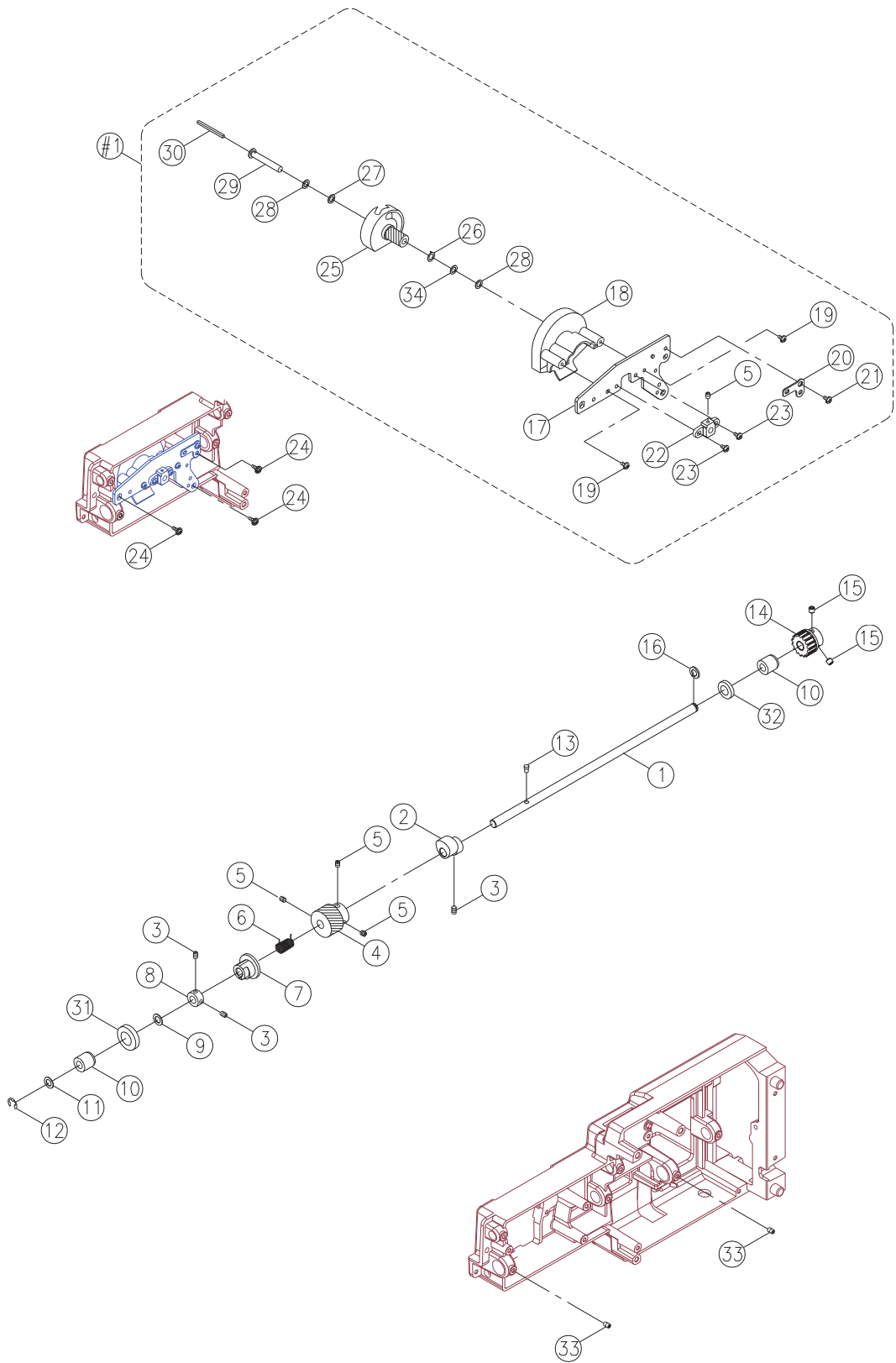
Ref No	Part No	Part Name
#1	68017060	NEEDLE POSITION PLATE CPL.
1	68014112	NEEDLE POSITION PLATE (FRONT)
2	416117501	SPRING PIN (3x10)
3	416550001	NEEDLE POSITION CRANK SHAFT
4	416550101	TUBE
5	416550201	ZIGZAG WIDTH CRANK
6	416151601	TENSION LEVER LIFTER SPRING
7	416550301	NEEDLE POSITION ADJUSTMENT CRANK
8	416185501	SET SCREW (M4x9)
9	68015308	SET NUT (ALN-4)
10	416116401	E-RING (ETW-6)
11	68016383	NEEDLE POSITION CRANK
12	68016384	ZIGZAG WIDTH REGULATING CAM BOX
13	416186201	WASHER (5.2x10x0.2)
14	416116101	E-RING (ETW-4)
15	416186501	WASHER (8.2x12x0.5)
16	416550401	AMPLITUDE CRANK
17	416119201	SET SCREW (M3x6 A)
18	416550501	NEEDLE POSITION BUTTON SHAFT
19	416186901	WASHER (6.4x11x0.15)
20	416550601	NEEDLE POSITION CAM
21	416183801	E-RING (ETW-5)
22	416550701	NEEDLE POSITION PLATE (BACK)
23	416121501	SET SCREW (M4x8 A)
24	416550801	NEEDLE POSITION PLATE
25	416550901	ROD
26	416116001	E-RING (ETW-3)
27	416155001	AUTO THREADED LEVER SPRING
28	416551501	NEEDLE POSITION SPRING
29	68015440	NEEDLE BAR DRIVING ROD CPL.
30	416548701	ZIGZAG WIDTH CRANK ROD
31	416801101	NEEDLE BAR DRIVING ROD PIN



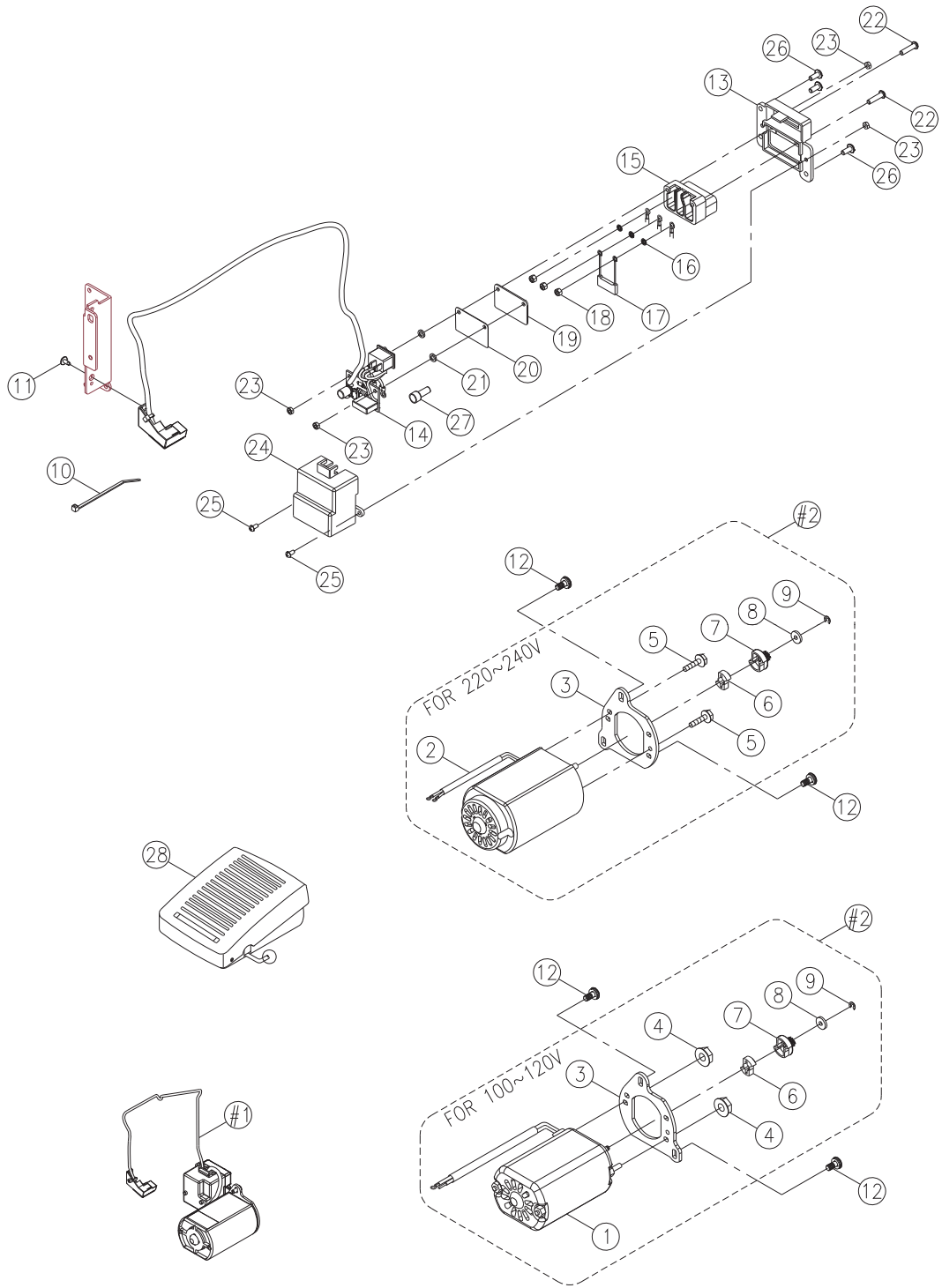
Ref No	Part No	Part Name
#1	68017063	NEEDLE PLATE CPL.
1	416547301	FEED REGULATOR DIAL SHAFT
2	416116301	E-RING (ETW-5)
3	416183901	SPRING PIN (2.5x16)
4	416195501	FEED REGULATOR GEAR
5	416518401	SET SCREW (M3x8 A)
6	416600901	BH SELECTOR PLATE
7	416600901	BH SLIDE PLATE
8	416185901	WASHER (4.2x9x0.5)
9	416116001	E-RING (ETW-3)
10	416728401	BH SELECTOR PLATE
11	416121201	SET SCREW (M4x6 B)
12	416728501	BH CAM PLATE
13	416226601	SET SCREW (M4x5 B)
14	68003185	BH SELECT CRANK SHAFT
15	416728601	BH SELECT CRANK
16	270 004230056	SET SCREW (M3x5 B)
17	68013842	BH LEVER PLATE CPL.
18	416728801	BH LEVER CRANK
19	416116001	E-RING (ETW-3)
20	416728901	BH LEVER
21	416729001	BH LEVER SPRING PLATE
22	416117001	SPRING PIN (1.6x5)
23	416232001	BH POSITIONED PLATE
24	270 E1A1523003	BH POSITIONED PLATE
25	416121501	SET SCREW (M4x8 A)
26	416231801	BH MOVEMENT CRANK
27	68017061	SHUTTLE HOOK CPL.
28	416144001	ROTARY HOOK PLATE
29	416687801	ROTARY HOOK PLATE (2) CPL.
30	68000175	BOBBIN
31	416122901	SET SCREW (M4x6)
32	416315201	SET SCREW (M2.5x3)
33	416735301	NEEDLE PLATE
34	416735401	NEEDLE PLATE SUPPORTER
35	416155201	NEEDLE PLATE COVER OPEN
36	270 0042200016	SET SCREW (M2x3)
37	416147501	NEEDLE PLATE SPRING
38	416315001	NEEDLE PLATE COVER PLATE
39	416315101	NEEDLE PLATE COVER SPRING
40	270 004900063	WASHER (6.2x12x2.0x0.15)



Ref No	Part No	Part Name
#1	68013931	FEED ROCK SHAFT CPL.
1	416730901	FEED REGULATING SHAFT
2	416149701	FEED REGULATING
3	416122401	SET SCREW (M4x4 C)
4	416125601	WASHER (6.7x11.8x0.5)
5	416156901	FEED ROCK BUSHING
6	416124001	WASHER (6.7x12x1)
7	416116301	E-RING (ETW-5)
8	416731001	FEED REGULATING CRANK
9	270 E1A0493003	FEED CRANK
10	68015308	ADJUSTING NUT (ALN-4)
11	416121101	SET SCREW (M4x10 B)
12	416116001	E-RING (ETW-3)
13	416149601	FEED REGULATING BLOCK
14	416122101	SET SCREW (M4x6 C)
15	68013931	FEED ROCK SHAFT
16	68013931	FEED DOG SUPPORTER
17	416192101	FEED DOG SHAFT
18	416549201	FEED ROCK FRAME SHAFT (2)
19	68013931	FEED ROCK CRANK
20	416192601	REGULATING BLOCK SHAFT
21	416195701	FEED ROCK CRANK SPRING
22	416186301	WASHER (5.2x12x1)
23	416192501	FEED ROCK SHAFT
24	68003195	FEED DOG
25	270 004235016	SET SCREW (M3.5x8 A)
26	416192301	FEED LIFTING ROCK CRANK
27	416121501	SET SCREW (M4x8 A)
28	416185501	SET SCREW (M4x0.7 L9)
29	416631201	FEED DOG SPRING
30	416192801	FEED CRANK SHAFT
31	416683801	BELT ADJUSTING PLATE
32	416683901	BELT ADJUSTING PLATE PULLEY
33	416116101	E-RING (ETW-4)
34	416121601	SET SCREW (M4x12 B)



Ref No	Part No	Part Name
#1	68013854	ROTARY HOOK HOLDER CPL.
1	416731301	LOWER SHAFT
2	68003196	FEED ROCK CAM
3	416122401	SET SCREW (M4x4 C)
4	68013976	LOWER SHAFT GEAR
5	416121001	SET SCREW (M4x5 C)
6	416191401	LOWER SHAFT SPRING
7	416191201	FEED LIFTING ROCK CAM
8	416158801	LOWER SHAFT COLLAR
9	416125801	ENDURE ATTRITION WASHER
10	416141701	LOWER SHAFT BUSHING
11	416186501	WASHER (8.2x12x0.5)
12	416116401	E-RING (ETW-6)
13	416191301	FEED LIFTING ROCK COM PIN
14	270 H1A0463000	LOWER SHAFT BELT PULLEY
15	270 004250203	SET SCREW (M5x5 C)
16	416549701	C-RING (7.9x11.9 t1.9)
17	270 H1A0383006	ROTARY HOOK HOLDER
18	68013932	SHUTTLE HOOK COVER
19	416119501	SET SCREW (M3x12)
20	416191801	ROTARY HOOK HOLDER POSITIONED PLATE
21	416121201	SET SCREW (M4x6 B)
22	416143401	ROTARY HOOK SUPPORTER
23	416121501	SET SCREW (M4x8 A)
24	270 004240586	SET SCREW (M4x8)
25	416479801	SHUTTLE HOOK HOLDER
26	416155701	BOBBIN SHAFT WASHER (3)
27	416125901	ENDURE ATTRITION WASHER (6.2x9.6x0.5)
28	416155601	BOBBIN SHAFT WASHER (2)
29	416145401	BOBBIN SHAFT
30	416155801	BOBBIN SHAFT OIL CLOTH
31	416404601	FELT SEAL (12.7x18.7 t3.5)
32	416549801	FELT SEAL (7.5x13.5 t3.5)
33	416122101	SET SCREW (M4x6 C)
34	68013850	ENDURE ATTRITION WASHER (6.2x9.6x0.25)



Ref No	Part No	Part Name
#1	68016389	MOTOR ELECTRIC WIRE CPL. FOR 120V / US
#1	68016392	MOTOR ELECTRIC WIRE CPL. FOR 230V / E.U.R
#2	68017064	MOTOR CPL. FOR 120V / US
#2	68017066	MOTOR CPL. FOR 230V / E.U.R
1	416593001	MOTOR FOR 120V / US
2	416467901	MOTOR FOR 230V / E.U.R
3	416603701	MOTOR BRACKET
4	270 004840131	NUT (M4 t=5.5) FOR 100~120V
5	416528601	SET SCREW (M4x10.2) FOR 220~240V
6	416129401	CUSHION RUBBER
7	416468001	BELT WHEEL
8	416114001	MOTOR FEED REGULATOR COLLAR
9	416116001	E-RING (ETW-3)
10	416113901	CORD CLIP
11	416686701	SET SCREW (M3x5)
12	68013176	SET SCREW (M5x12)
13	416732301	RECEPTACLE HOLDER
14	416732501	LED HOLDER CPL. FOR 120V
14	68015443	LED HOLDER CPL. FOR 220V~240V
15	416184701	RECEPTACLE
16	68013230	WASHER
17	68013175	CONDENSER FOR 220V-240V
18	270 004840120	NUT (M3x4)
19	416183601	CONCERT INSULATION PLATE
20	68013906	INSULATING SLICE FOR 120V / US
21	68013231	WASHER
22	68013281	SET SCREW (M3x25 B)
23	416302901	NUT(M3 t=2.3)
24	416803701	RECEPTACLE HOLDER COVER FOR 220V~240V
25	416119701	SET SCREW (M3x8 B) FOR 220V~240V
26	416185401	SET SCREW (M4x10 A)
27	416133001	END TERMED
28	416732701	FOOT CONTROLLER FOR 120V / US
28	68001147	FOOT CONTROLLER FOR 230V / E.U.R

N



Ref No	Part No	Part Name
#1	68016386	FOOT CONTROLLER BAG CPL. FOR 120V / US
#1	68016387	FOOT CONTROLLER BAG CPL. FOR 230V / E.U.R
1	68017019	ALL PURPOSE FOOT (T)
2	416128701	ZIPPER FOOT (I)
3	68003698	BUTTONHOLE FOOT
4	416437201	SATIN STITCH FOOT
5	416437101	BLIND HEM FOOT (F)
6	68000177	L-SCREWDRIVER
7	416127701	SEAM RIPPER/ BRUSH
8	68017018	EDGE/ QUILTING GUIDE
9		PACK OF NEEDLES
10	68000175	BOBBIN
11	416127301	SPOOL PIN FELT
12	68003700	SPOOL HOLDER (LARGE)
13	68003701	SPOOL HOLDER (SMALL)
14	68003702	SECOND SPOOL PIN
15	68017069	SOFT COVER CPL.