

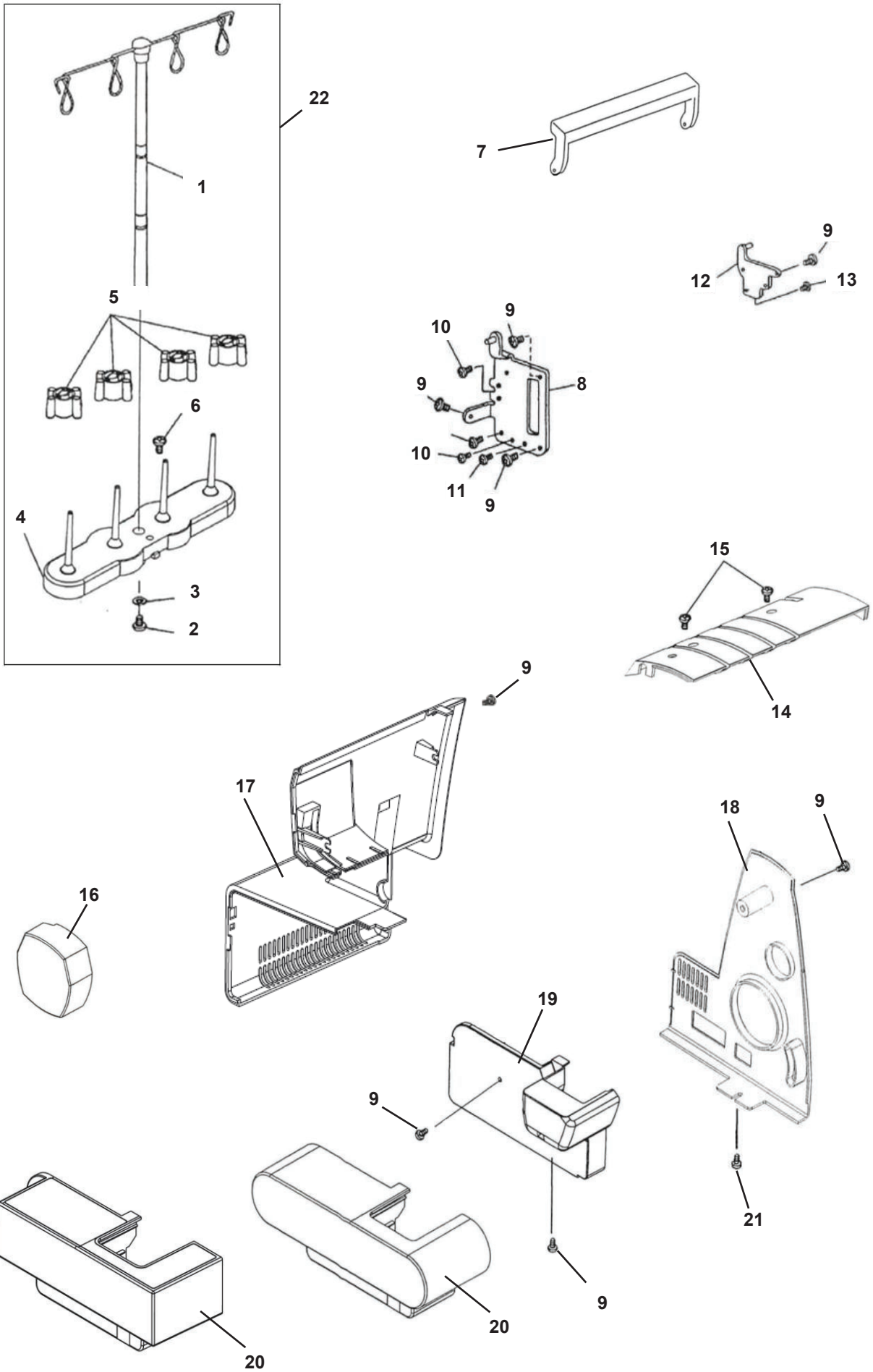


SINGER®

HD0400S
HD0405
SX5004-HD

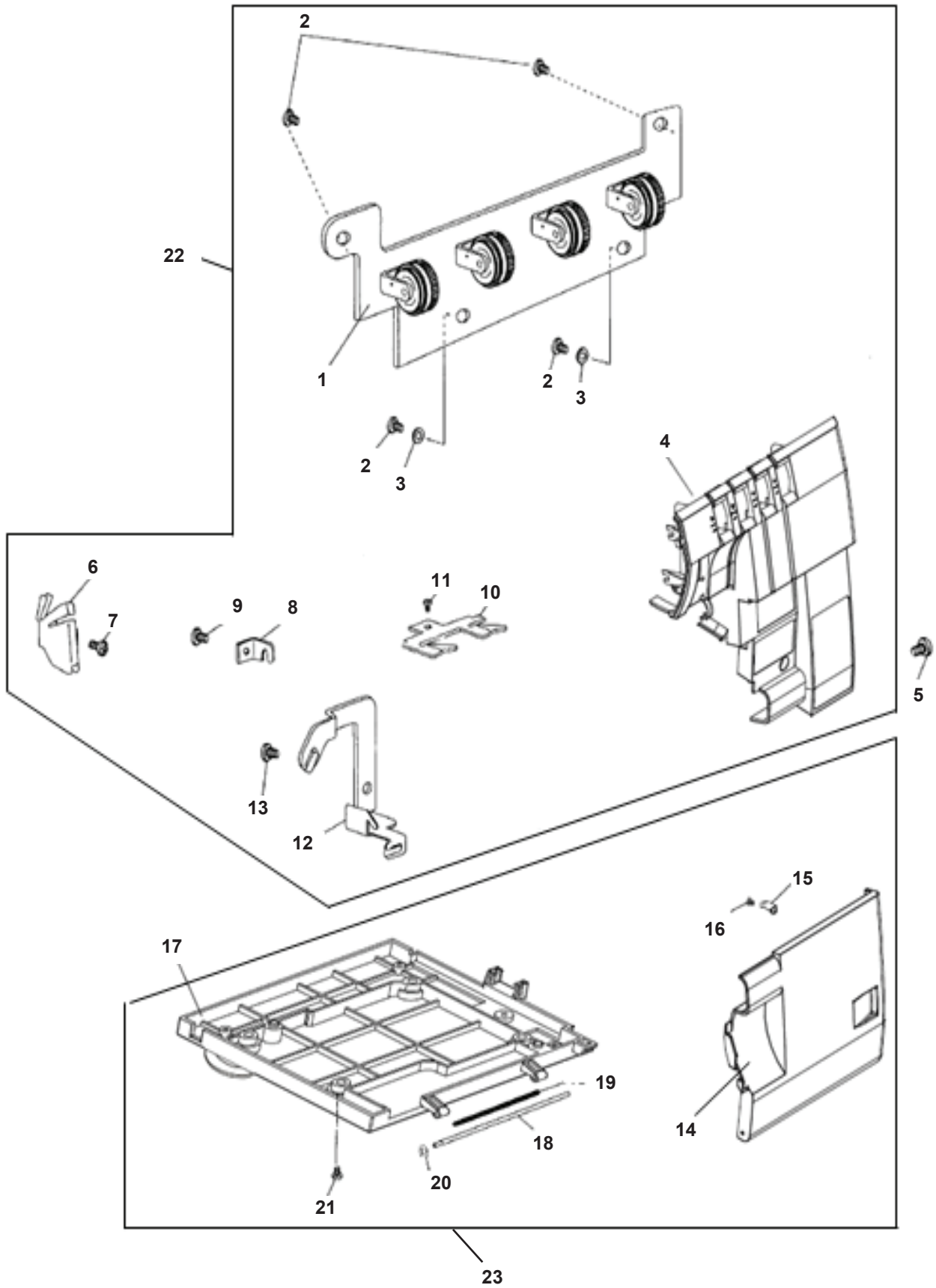
Liste de pièces
Lista de Piezas
Parts List

A



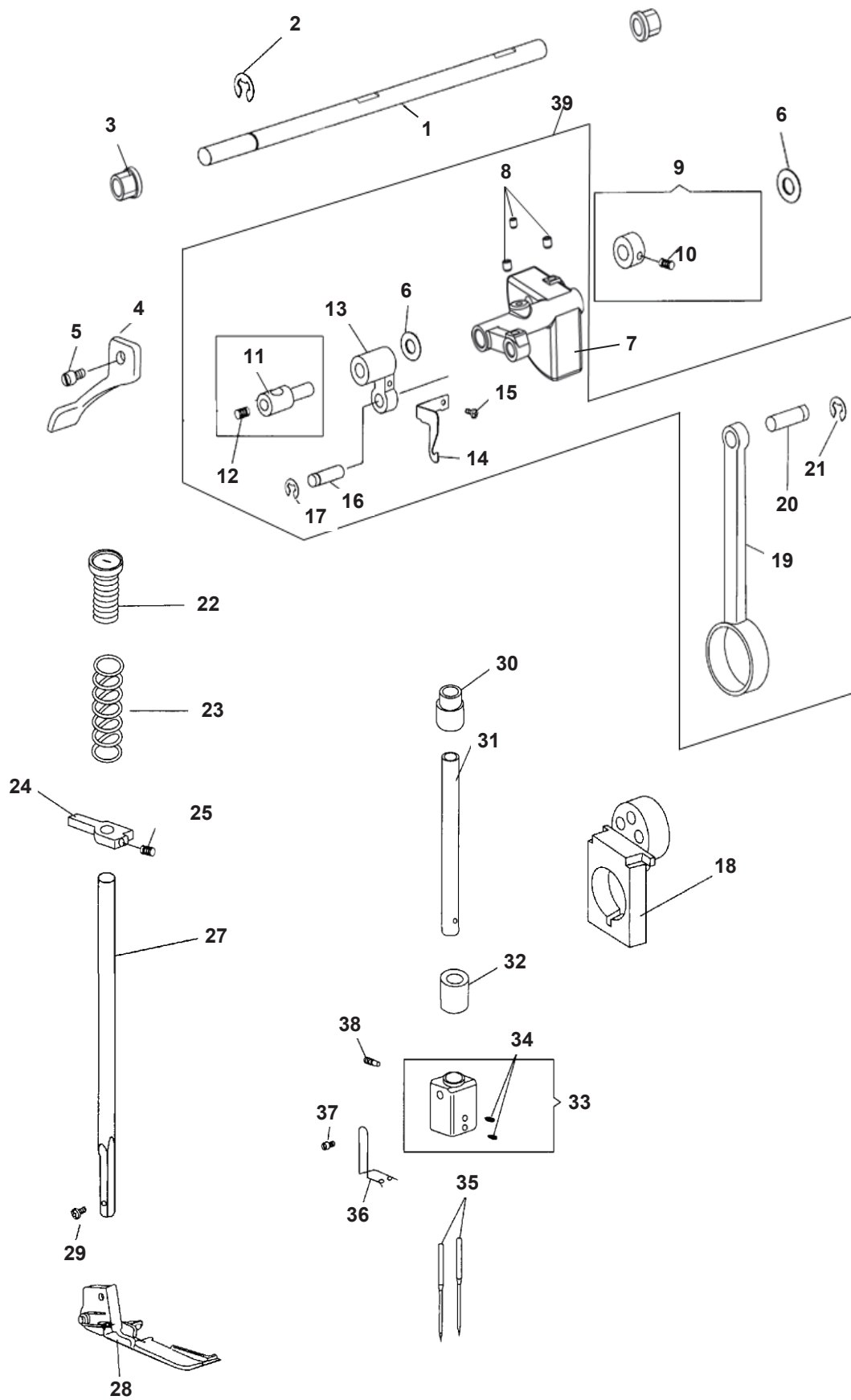
| Pos | Part Number | Description |
|-----|-------------|---|
| 1 | 68016768 | THREAD UNWINDER THREAD GUIDE ROD COMP. |
| 2 | 416324201 | THREAD UNWINDER THREAD GUIDE ROD SCREW |
| 3 | 416322901 | THREAD UNWINDER THREAD GUIDE ROD SCREW WASHER |
| 4 | 68016777 | THREAD UNWINDER |
| 5 | 416324901 | SPOOL HOLDER |
| 6 | 416676201 | THREAD UNWINDER (COMP.) SCREW |
| 7 | 68016779 | HANDLE |
| 8 | 416691601 | HANDLE BRACKET(LEFT) COMP. |
| 9 | 416324601 | SCREW |
| 10 | 416323701 | PRESSER BAR OIL FELT SCREW |
| 11 | 416324101 | SCREW |
| 12 | 416691701 | HANDLE BRACKET (RIGHT) COMP. |
| 13 | 416324101 | HANDLE BRACKET (RIGHT) COMP.SCREW |
| 14 | 68016780 | TOP COVER COMP. |
| 15 | 416324301 | TOP COVER SCREW |
| 16 | 68016782 | LIGHT COVER COMP. HD0400S HD0405 |
| 16 | 68016783 | LIGHT COVER COMP. SX5004-HD |
| 17 | 68016786 | REAR COVER |
| 18 | 68016809 | PULLEY COVER |
| 19 | 68016811 | CYLINDER COVER |
| 20 | 68016813 | CLOTH PLATE COMP. HD0400S HD0405 |
| 20 | 68016814 | CLOTH PLATE COMP. SX5004-HD |
| 21 | 416676201 | SCREW |
| 22 | 68016816 | THREAD UNWINDER COMP |

B



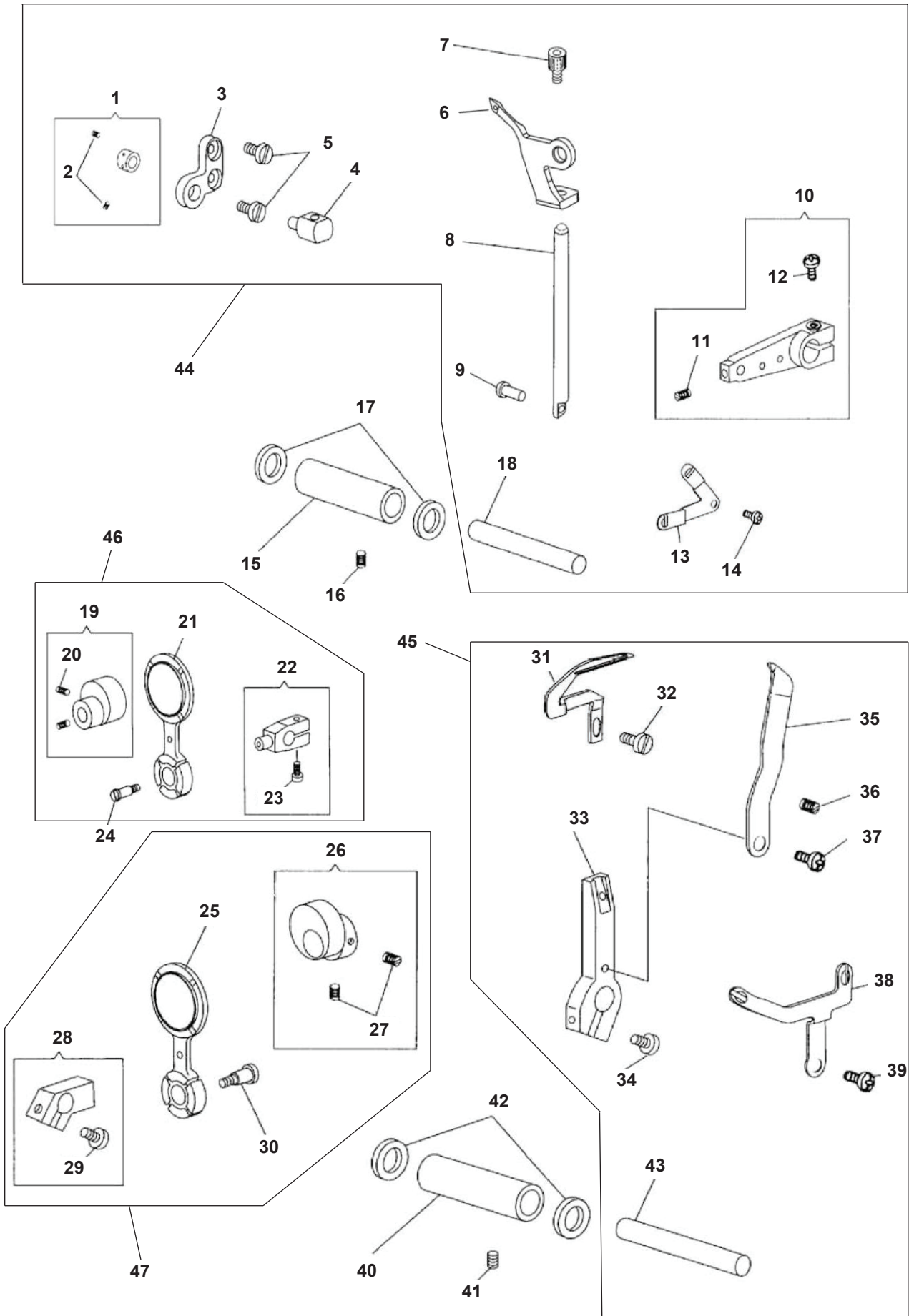
| Pos | Part Number | Description |
|-----|-------------|--|
| 1 | 68016817 | ONE TURN TENSION DIAL COMP. |
| 2 | 416676201 | ONE TURN TENSION DIAL COMP. SET SCREW |
| 3 | 416322801 | ONE TURN TENSION DIAL COMP. SET SCREW WASHER |
| 4 | 68016818 | FRONT COVER (GRAPHIC) |
| 5 | 416324601 | FRONT COVER SCREW |
| 6 | 68016819 | FRONT COVER THREAD GUIDE |
| 7 | 416321901 | FRONT COVER THREAD GUIDE BRACKET SCREW |
| 8 | 416321601 | FRONT COVER THREAD GUIDE (SMALL) |
| 9 | 412697003 | FRONT COVER THREAD GUIDE (SMALL) SCREW |
| 10 | 416576601 | FRONT COVER THREAD GUIDE (LOWER) |
| 11 | 416323701 | FRONT COVER THREAD GUIDE (LOWER) SCREW |
| 12 | 270 550412 | LOOPER THREAD GUIDE |
| 13 | 412697003 | LOOPER THREAD GUIDE SCREW |
| 14 | 68016820 | LOOPER COVER HD0400S |
| 14 | 68016822 | LOOPER COVER HD0405S |
| 14 | 68016823 | LOOPER COVER X5004-HD |
| 15 | 270 556165 | LOOPER COVER HOOK |
| 16 | 68016824 | LOOPER COVER HOOK SCREW |
| 17 | 68016825 | MACHINE BASE |
| 18 | 416333801 | LOOPER COVER HINGE PIN |
| 19 | 416327401 | LOOPER COVER HINGE PIN SPRING |
| 20 | 416327401 | LOOPER COVER HINGE PIN RETAINING RING |
| 21 | 416324501 | MACHINE BASE SCREW |
| 22 | 68016828 | FRONT COVER COMP. |
| 23 | 68016832 | LOOPER COVER COMP. HD0400S |
| 23 | 68016839 | LOOPER COVER COMP. HD0405S |
| 23 | 68016841 | LOOPER COVER COMP. X5004-HD |

C



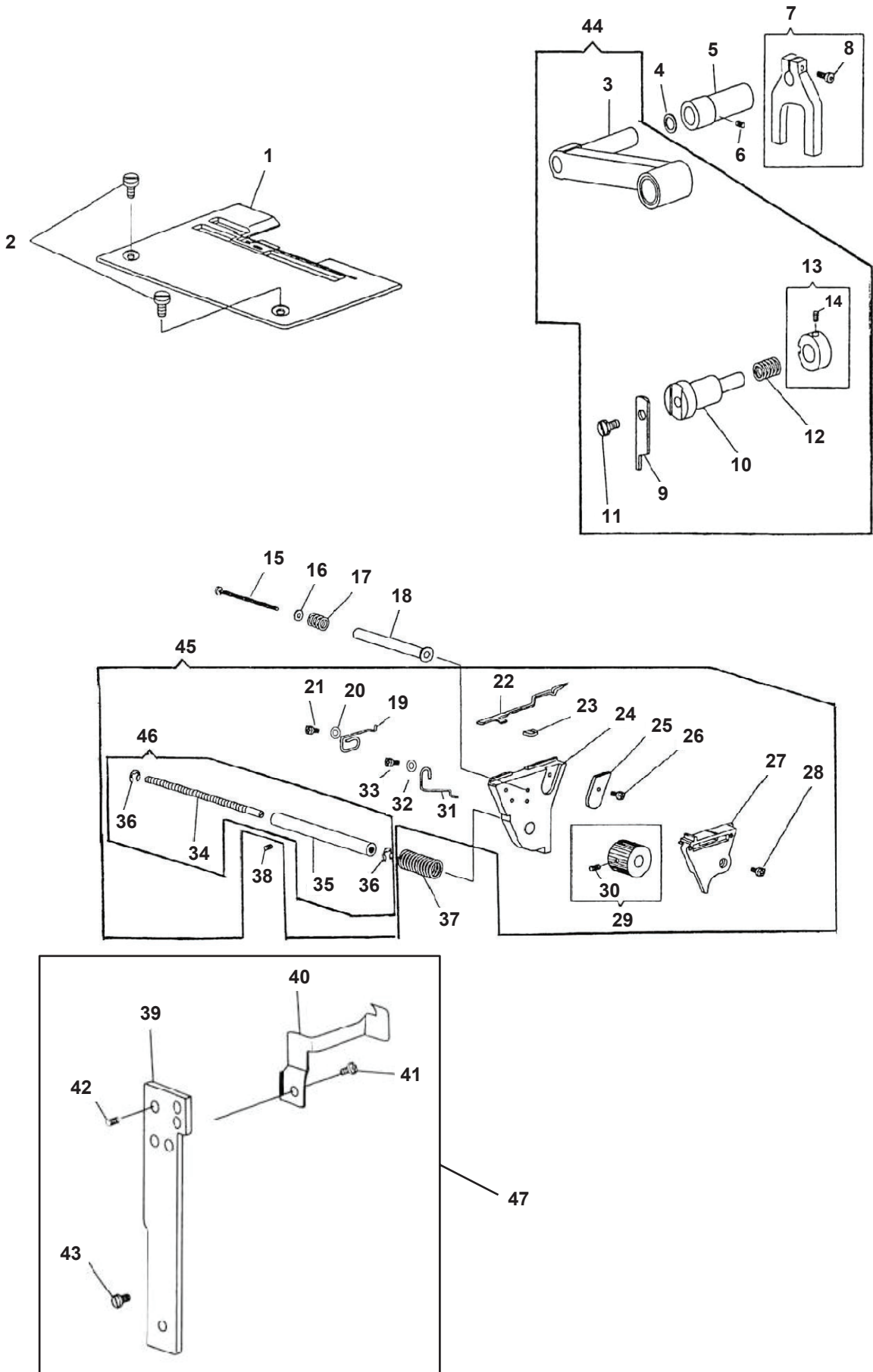
| Pos | Part Number | Description |
|-----|-------------|--|
| 1 | 68016835 | ARM SHAFT |
| 2 | 416322701 | ARM SHAFT RETAINING RING |
| 3 | 68016836 | BUSHING |
| 4 | 68016837 | PRESSER BAR LIFTER |
| 5 | 68015903 | PRESSER BAR LIFTER SCREW STUD |
| 6 | 416322301 | THRUST WASHER |
| 7 | 68016838 | NEEDLE BAR CRANK |
| 8 | 68015896 | NEEDLE BAR CRANK ROD PIN SCREW |
| 9 | 416692301 | ARM SHAFT COLLAR COMP. |
| 10 | 68015896 | ARM SHAFT COLLAR SCREW |
| 11 | 416321201 | NEEDLE BAR CONNECTING STUD |
| 12 | 416323301 | NEEDLE BAR CONNECTING STUD SCREW |
| 13 | 416692401 | NEEDLE BAR CONNECTING LINK |
| 14 | 416319801 | STRIKER |
| 15 | 416323801 | STRIKER SCREW |
| 16 | 416692501 | NEEDLE BAR CONNECTING LINK PIN |
| 17 | 416322601 | NEEDLE BAR CONNECTING LINK PIN RETAINING RING |
| 18 | 416692601 | NEEDLE BAR ECC KNIFE(MOVABLE) FORKED LEVER SLIDE BLOCK |
| 19 | 416692701 | NEEDLE BAR CRANK ROD |
| 20 | 416692501 | NEEDLE BAR CONNECTING LINK PIN |
| 21 | 416322601 | NEEDLE BAR CONNECTING LINK PIN RETAINING RING |
| 22 | 416670401 | PRESSER REGULATING THUMB COMP. |
| 23 | 416321301 | PRESSER BAR SPRING |
| 24 | 416692801 | PRESSER BAR GUIDE BRACKET |
| 25 | 416323401 | PRESSER BAR GUIDE BRACKET SCREW |
| 27 | 416331201 | PRESSER BAR |
| 28 | 416325201 | PRESSER FOOT COMP (SNA P- ON TYPE) |
| 29 | 416322201 | PRESSER FOOT SCREW |
| 30 | 416692901 | NEEDLE BAR BUSHING (UPPER) |
| 31 | 416320801 | NEEDLE BAR |
| 32 | 416693001 | NEEDLE BAR BUSHING (LOWER) |
| 33 | 416327501 | NEEDLE CLAMP (BODY) COMP.(FOR 4 THREAD) |
| 34 | 416320701 | NEEDLE SET SCREW |
| 35 | | NEEDLE(#1 4) |
| 36 | 416320901 | NEEDLE CLAMP THREAD GUIDE |
| 37 | 416324001 | NEEDLE CLAMP THREAD GUIDE SET SCREW |
| 38 | 416320401 | NEEDLE CLAMP THREAD GUIDE |
| 39 | 68016842 | NEEDLE BAR CRANK CPL |

D



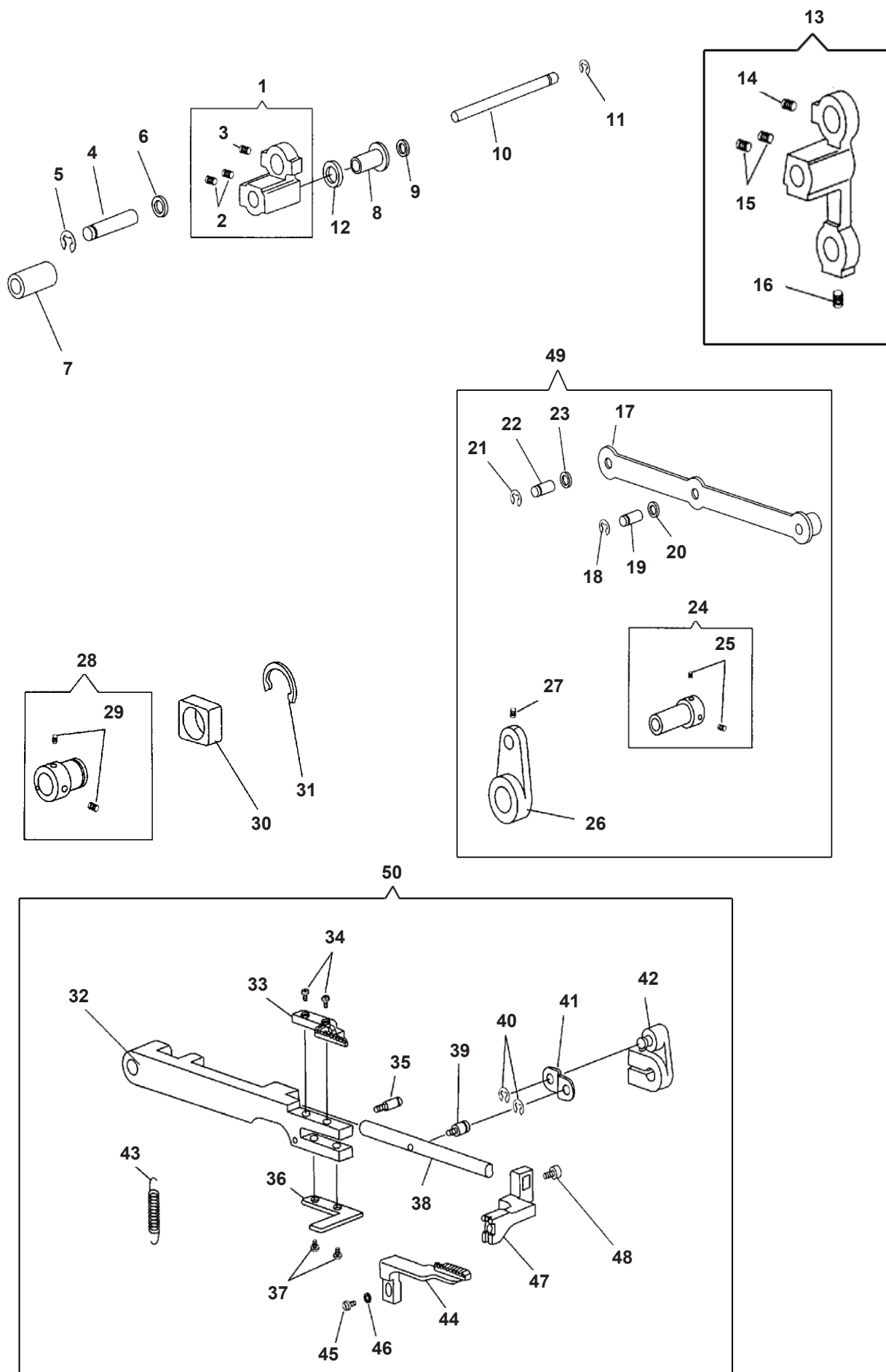
| Pos | Part Number | Description |
|-----|---------------|--|
| 1 | 416325301 | UPPER LOOPER RETAINER GUIDE COLLAR COMP. |
| 2 | 68015896 | UPPER LOOPER RETAINER GUIDE COLLAR SCREW |
| 3 | 68016847 | UPPER LOOPER RETAINER GUIDE BRACKET |
| 4 | 416321401 | UPPER LOOPER RETAINER GUIDE |
| 5 | 416324401 | UPPER LOOPER RETAINER GUIDE BRACKET SCREW |
| 6 | 416327101 | UPPER LOOPER |
| 7 | 416322101 | UPPER LOOPER SCREW |
| 8 | 416321501 | UPPER LOOPERR ETAINER |
| 9 | 416693201 | UPPER LOOPER RETAINER DRIVING LEVER STUD |
| 10 | 416327201 | UPPER LOOPER RETAINER DRIVING LEVER COMP. |
| 11 | 68015896 | UPPER LOOPER RETAINER DRIVING LEVER STUD SCREW |
| 12 | 416693301 | UPPER LOOPER RETAINER DRIVING LEVER CLAMPING SCREW |
| 13 | 68015910 | UPPER LOOPER THREAD GUIDE |
| 14 | 416324101 | UPPER LOOPER THREAD GUIDE SCREW |
| 15 | 416693401 | UPPER LOOPER SHAFT BUSHING |
| 16 | 68015896 | UPPER LOOPER SHAFT BUSHING SCREW |
| 17 | 416322301 | UPPER LOOPER SHAFT BUSHING SCREW WASHER |
| 18 | 416693501 | UPPER LOOPER SHAFT |
| 19 | 416693601 | UPPER LOOPER CAM COMP |
| 20 | 68015896 | UPPER LOOPER CAM SCREW |
| 21 | 416327601 | UPPER LOOPER CAM ROD COMP. |
| 22 | 416693701 | UPPER LOOPER SHAFT LEVER COMP. |
| 23 | 416493501 | UPPER LOOPER SHAFT LEVER CLAM PING SCREW |
| 24 | 416678401 | UPPER LOOPER CAM ROD END SCREW STUD |
| 25 | 416327601 | LOWER LOOPER CAM ROD COMP. |
| 26 | 416693601 | LOWER LOOPER CAM COMP. |
| 27 | 68015896 | LOWER LOOPER CAM SCREW |
| 28 | 68015916 | LOWER LOOPER SHAFT LEVER COMP. |
| 29 | 416493501 | LOWER LOOPER SHAFT LEVER CLAMPING SCREW |
| 30 | 416678401 | LOWER LOOPER CAM ROD END SCREW STUD |
| 31 | 416325601 | LOWER LOOPER |
| 32 | 416323901 | LOWER LOOPER SCREW |
| 33 | 270 376839900 | LOWER LOOPER HOLDER |
| 34 | 416493501 | LOWER LOOPER HOLDER CLAMPING SCREW |
| 35 | 416319501 | NEEDLE GUARD (BACK) (FOR OVEREDGE NEEDLE) |
| 36 | 416320501 | NEEDLE GUARD ADJUSTING SCREW |
| 37 | 416324101 | NEEDLE GUARD (BACK) (FOR OVEREDGE NEEDLE) SCREW |
| 38 | 270 550410 | LOWER LOOPER HOLDER THREAD GUIDE |
| 39 | 416324101 | LOWER LOOPER HOLDER THREAD SCREW |
| 40 | 416693801 | LOWER LOOPER SHAFT BUSHING |
| 41 | 68015896 | LOWER LOOPER SHAFT BUSHING SCREW |
| 42 | 416322301 | UPPER LOOPER SHAFT BUSHING THRUST WASHER |
| 43 | 416693901 | UPPER LOOPER SHAFT |
| 44 | 68016848 | RIGHT LOOPER COMP. |
| 45 | 68016850 | LEFT LOOPER COMP. |
| 46 | 270 557702 | RIGHT LOOPER SHAFT LEVER COMP. |
| 47 | 270 557706 | LEFT LOOPER SHAFT LEVER COMP. |

E



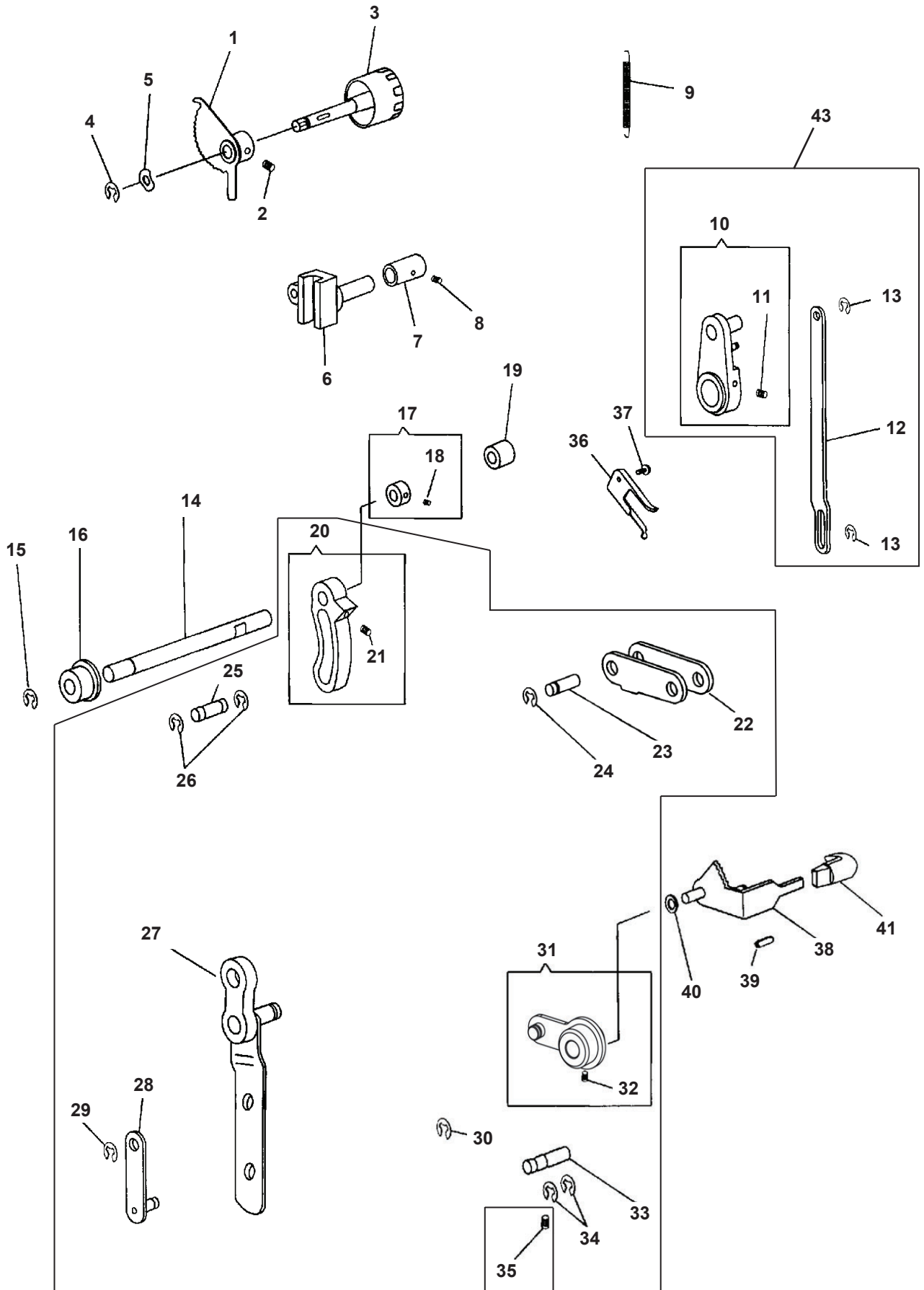
| Pos | Part Number | Description |
|-----|-------------|---|
| 1 | 68015918 | THROAT PLATE CPL |
| 2 | 416327001 | THROAT PLATE POSITION SCREW |
| 3 | 416676901 | KNIFE (MOVABLE) LEVER COMP. |
| 4 | 416322301 | KNIFE (MOVABLE) FORKED LEVER STUD BUSHING THRUST WASHER |
| 5 | 416694001 | KNIFE (MOVABLE) FORKED LEVER STUD BUSHING |
| 6 | 68015896 | KNIFE (MOVABLE) FORKED LEVER STUD BUSHING SCREW |
| 7 | 416694101 | KNIFE (MOVABLE) FORKED LEVER COMP. |
| 8 | 416694201 | KNIFE (MOVABLE) FORKED LEVER SCREW |
| 9 | 416669301 | KNIFE (MOVABLE) |
| 10 | 416321801 | KNIFE (MOVABLE) HOLDER |
| 11 | 416324701 | KNIFE (MOVABLE) SCREW |
| 12 | 416670501 | KNIFE (MOVABLE) HOLDER SPRING |
| 13 | 416694301 | KNIFE (MOVABLE) HOLDER COLLAR COMP. |
| 14 | 68015896 | KNIFE (MOVABLE) HOLDER COLLAR SCREW |
| 15 | 416694401 | KNIFE (STATIONARY) HOLDER STUD SCREW |
| 16 | 416694501 | KNIFE (STATIONARY) HOLDER STUD SCREW WASHER |
| 17 | 416694601 | KNIFE (STATIONARY) HOLDER STUD SPRING |
| 18 | 416694701 | KNIFE (STATIONARY) HOLDER STUD |
| 19 | 416326101 | SEAM WIDTH FINGER SPRING |
| 20 | 416694801 | SEAM WIDTH FINGER SPRING WASHER |
| 21 | 416323701 | SEAM WIDTH FINGER SPRING SCREW |
| 22 | 416326001 | SEAM WIDTH FINGER |
| 23 | 68016851 | SEAM WIDTH FINGER KNOB |
| 24 | 416694901 | KNIFE (STATIONARY) HOLDER |
| 25 | 416325901 | KNIFE (STATIONARY) |
| 26 | 416323801 | KNIFE (STATIONARY) SCREW |
| 27 | 550451-395 | SEAM WIDTH FINGER SUPPORT PLATE |
| 28 | 416323701 | SEAM WIDTH FINGER SUPPORT PLATE SCREW |
| 29 | 416677201 | SEAM WIDTH CONTROL DIAL COMP. |
| 30 | 68015896 | SEAM WIDTH CONTROL DIAL SCREW |
| 31 | 270 550602 | SEAM WIDTH CONTROL DIAL SPRING |
| 32 | 416694801 | SEAM WIDTH CONTROL DIAL SPRING WASHER |
| 33 | 416323701 | SEAM WIDTH CONTROL SPRING SCREW |
| 34 | 416695001 | SEAM WIDTH CONTROL SCREW |
| 35 | 416695101 | SEAM WIDTH CONTROL SCREW BUSHING |
| 36 | 416695201 | SEAM WIDTH CONTROL SCREW RETAINING RING |
| 37 | 550359 | SEAM WIDTH CONTROL SCREW SPRING |
| 38 | 68015896 | SEAM WIDTH CONTROL STUD SCREW |
| 39 | 68015920 | NEEDLE GUARD BRACKET |
| 40 | 416325701 | NEEDLE GUARD (FRONT) FOR OVEREDGE NEEDLE |
| 41 | 416323601 | NEEDLE GUARD (FRONT) FOR OVEREDGE NEEDLE SCREW |
| 42 | 68016852 | ADJUSTING SCREW |
| 43 | 416324101 | NEEDLE GUARD BRACKET COMP. SCREW |
| 44 | 416677301 | KNIFE (MOVABLE) COMP. |
| 45 | 68016857 | KNIFE (STATIONARY) COMP. |
| 46 | 416695401 | SEAM WIDTH CONTROL SCREW COMP. |
| 47 | 600467-001 | NEEDLE GUARD COMP. |

F

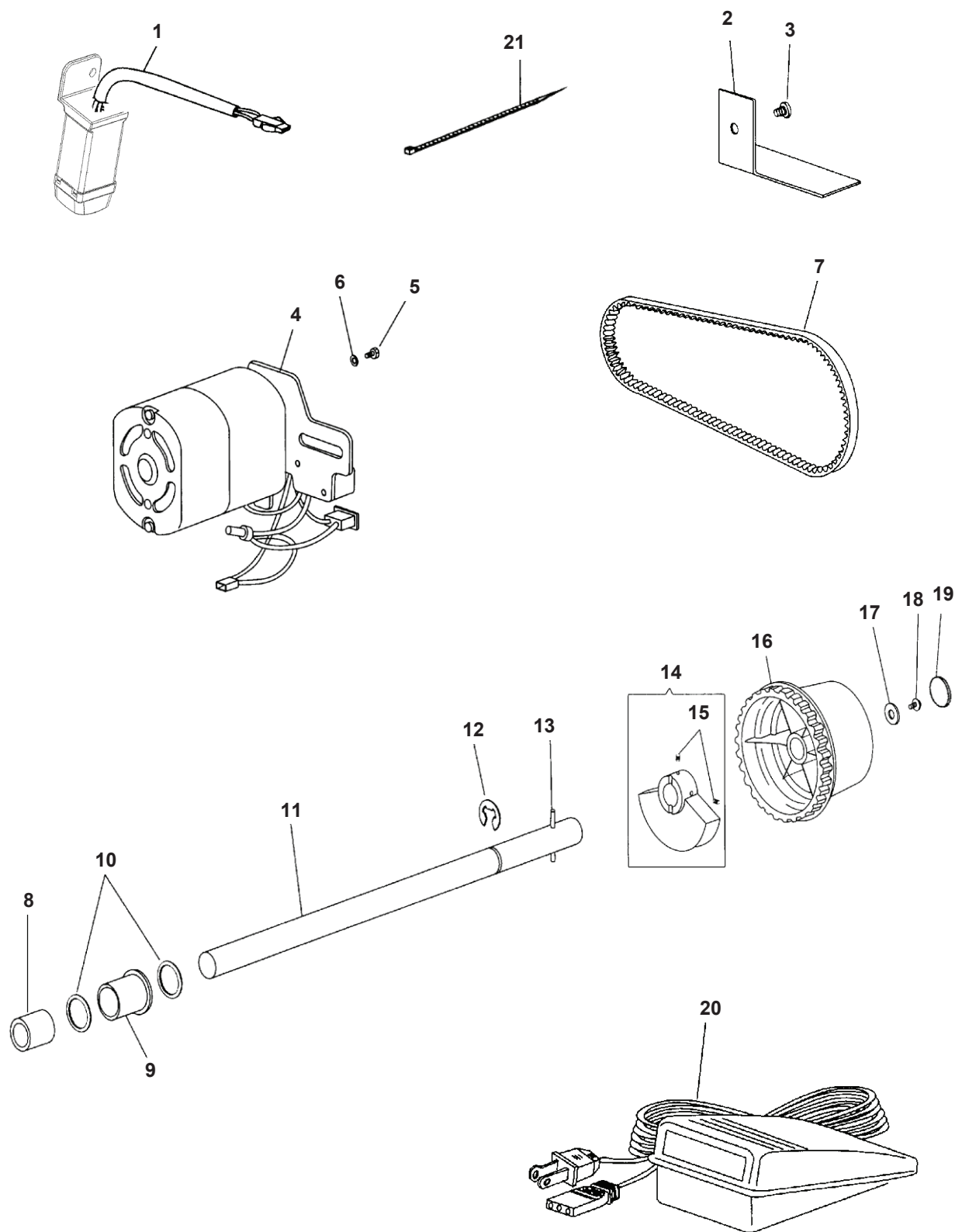


| Pos | Part Number | Description |
|-----|-------------|---|
| 1 | 416695501 | FEED CRANK (LEFT) COMP. |
| 2 | 68015896 | FEED CRANK (LEFT) SCREW |
| 3 | 68015896 | FEED CRANK (LEFT) STUD SCREW |
| 4 | 416678301 | FEED CRANK (LEFT) STUD |
| 5 | 416322601 | FEED CRANK (LEFT) STUD RETAINING RING |
| 6 | 416322301 | FEED CRANK (LEFT) STUD THRUST WASHER |
| 7 | 416695601 | FEED CRANK SHAFT BUSHING (LEFT) |
| 8 | 416695701 | FEED CRANK SHAFT BUSHING (RIGHT) |
| 9 | 416322401 | FEED CRANK SHAFT THRUST WASHER |
| 10 | 416326301 | FEED CRANK SHAFT |
| 11 | 68015926 | FEED CRANK SHAFT BUSHING RETAINING RING |
| 12 | 416695801 | FEED CRANK SHAFT THRUST WASHER |
| 13 | 416695901 | FEED CRANK (RIGHT) (FOR DIFF.FEED) COMP. |
| 14 | 68015896 | FEED CRANK (RIGHT) (FOR DIFF.FEED) SCREW. |
| 15 | 68015896 | FEED CRANK (RIGHT) STUD SCREW |
| 16 | 68015896 | DIFFERENTIAL FEED CRANK STUD SCREW |
| 17 | 68015927 | FEED REGULATOR CRANK ROD COMP. |
| 18 | 416322601 | FEED CRANK ROD STUD RETAINING RING |
| 19 | 270 412635 | FEED CRANK ROD STUD |
| 20 | 416322401 | FEED CRANK ROD STUD THRUST WASHER |
| 21 | 416322601 | FEED CRANK (RIGHT) STUD RETAINING RING |
| 22 | 416696001 | FEED CRANK (RIGHT) STUD |
| 23 | 416322301 | FEED CRANK (RIGHT) STUD THRUST WASHER |
| 24 | 68015929 | FEED CAM COMP. |
| 25 | 68015896 | FEED CAM SCREW |
| 26 | 416696101 | FEED CRANK ROD |
| 27 | 68015896 | FEED CRANK ROD PIN SCREW |
| 28 | 416696601 | FEED LIFTING CAM COMP. |
| 29 | 68015896 | FEED LIFTING CAM SCREW |
| 30 | 416696201 | FEED LIFTING CAM SLIDE BLOCK |
| 31 | 416696301 | FEED LIFTING CAM SLIDE BLOCK RETAINING RING |
| 32 | 416677501 | MAIN FEED BAR |
| 33 | 68015932 | MAIN FEED DOG |
| 34 | 416323701 | MAIN FEED DOG SCREW |
| 35 | 416326401 | MAIN FEED BAR SPRING SCREW STUD |
| 36 | 68015934 | AUXILIARY FEED SUPPORT BRACKET |
| 37 | 416323701 | AUXILIARY FEED SUPPORT BRACKET SCREW |
| 38 | 416696401 | AUXILIARY FEED BAR |
| 39 | 416326701 | AUXILIARY FEED BAR GUIDE PIN SCREW |
| 40 | 416695201 | AUXILIARY FEED BAR LINK RETAINING RING |
| 41 | 416696501 | AUXILIARY FEED BAR LINK |
| 42 | 416699401 | DIFFERENTIAL FEED ARM COMP. |
| 43 | 416326801 | MAIN FEED BAR SPRING |
| 44 | 68015936 | AUXILIARY FEED DOG |
| 45 | 416324201 | AUXILIARY FEED DOG SCREW |
| 46 | 416322801 | AUXILIARY FEED DOG SCREW WASHER |
| 47 | 416696701 | AUXILIARY FEED DOG HOLDER |
| 48 | 416323701 | AUXILIARY FEED DOG HOLDER SCREW |
| 49 | 68015937 | FEED REGULATOR ROD COMP. |
| 50 | 68016860 | DIFFERENTIAL FEED BAR COMP |

G



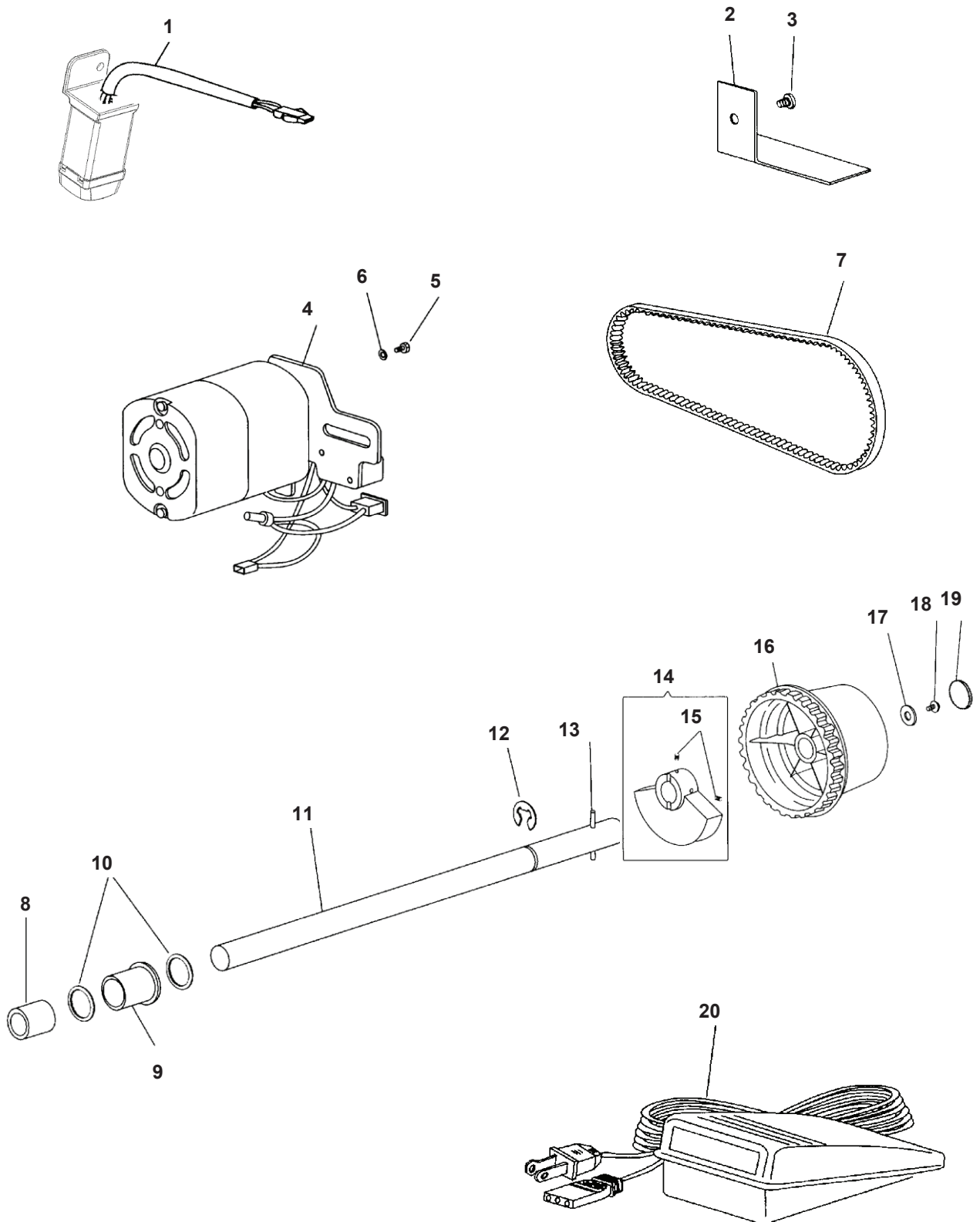
| Pos | Part Number | Description |
|-----|-------------|--|
| 1 | 416696801 | FEED REGULATOR DRIVING CAM (BODY) COMP. |
| 2 | 68015896 | FEED REGULATOR DRIVING CAM SCREW |
| 3 | 68016861 | FEED DIAL (GRAPHIC) HD0400S-HD0405S |
| 3 | 68016862 | FEED DIAL (GRAPHIC) X5004-HD |
| 4 | 416322601 | FEED DIAL (GRAPHIC) REGAINING RING |
| 5 | 416321001 | FEED DIAL WAVE WASHER |
| 6 | 68015940 | FEED REGULATOR |
| 7 | 416696901 | FEED REGULATOR STUD BUSHING |
| 8 | 68015896 | FEED REGULATOR STUD BUSHING SET SCREW |
| 9 | 416319601 | FEED REGULATOR LEVER SPRING |
| 10 | 416319601 | FEED REGULATOR LEVER COMP. |
| 11 | 68015896 | FEED REGULATOR LEVER SCREW |
| 12 | 416697101 | DIFFERENTIAL FEED SAFETY PLATE |
| 13 | 416327401 | DIFFERENTIAL FEED SAFETY PLATE RETAINING PLATE |
| 14 | 416697201 | DIFFERENTIAL FEED SHAFT |
| 15 | 416322601 | DIFFERENTIAL FEED SHAFT RETAINING RING |
| 16 | 416697301 | DIFFERENTIAL FEED SHAFT BUSHING (LEFT) |
| 17 | 416697401 | DIFFERENTIAL FEED SHAFT COLLAR COMP. |
| 18 | 68015896 | DIFFERENTIAL FEED SHAFT COLLAR SCREW |
| 19 | 416693001 | DIFFERENTIAL FEED SHAFT BUSHING |
| 20 | 416697501 | DIFFERENTIAL FEED ADJUSTING ARM COMP. |
| 21 | 68015896 | DIFFERENTIAL FEED ADJUSTING ARM SCREW |
| 22 | 416697601 | DIFFERENTIAL FEED CRANK ROD |
| 23 | 416697701 | DIFFERENTIAL FEED CRANK STUD |
| 24 | 416322601 | DIFFERENTIAL FEED CRANK STUD RETAINING RING |
| 25 | 416697801 | DIFFERENTIAL FEED CRANK ROD STUD |
| 26 | 416322601 | DIFFERENTIAL FEED CRANK ROD STUD RETAINING RING |
| 27 | 416697901 | DIFFERENTIAL FEED ADJUSTING LEVER (LOWER) |
| 28 | 416698001 | DIFFERENTIAL FEED LEVER LINK COMP. |
| 29 | 68015926 | DIFFERENTIAL FEED LEVER RETAINING RING |
| 30 | 416322601 | DIFFERENTIAL FEED ADJUSTING LEVER (LOWER) RETAINING RING |
| 31 | 416698101 | DIFFERENTIAL FEED LEVER COMP. |
| 32 | 68015896 | DIFFERENTIAL FEED ADJUSTING LEVER SCREW |
| 33 | 416698201 | DIFFERENTIAL FEED ADJUSTING LEVER STUD |
| 34 | 416322601 | DIFFERENTIAL FEED ADJUSTING LEVER STUD RETAINING RING |
| 35 | 68015896 | DIFFERENTIAL FEED ADJUSTING LEVER STUD SCREW |
| 36 | 416698301 | DIFFERENTIAL FEED ADJUSTING LEVER SPRING |
| 37 | 416324601 | DIFFERENTIAL FEED ADJUSTING LEVER SPRING SCREW |
| 38 | 416698401 | DIFFERENTIAL FEED ADJUSTING LEVER COMP. |
| 39 | 416323101 | DIFFERENTIAL FEED ADJUSTING LEVER PIN |
| 40 | 416698501 | DIFFERENTIAL FEED ADJUSTING LEVER WASHER |
| 41 | 68016863 | DIFFERENTIAL FEED ADJUSTING LEVER KNOB HD0400S-HD0405S |
| 41 | 68016864 | DIFFERENTIAL FEED ADJUSTING LEVER KNOB X5004-HD |
| 42 | 270 557750 | DIFFERENTIAL FEED LINK COMP. |
| 43 | 68016873 | FEED REGULATOR LEVER COMP. |



| Pos | Part Number | Description |
|-------------|-------------|--|
| <u>220V</u> | | |
| 1 | 416669002 | LED LIGHT COMP.(FOR 220-240V) |
| 2 | 416698701 | CORD CLAMPING PLATE |
| 3 | 416324101 | CORD CLAMPING PLATE SCREW |
| 4 | 416677801 | MOTOR , SWITCH BOX COMP. (230V) |
| 5 | 416324802 | MOTOR , BRACKET SCREW |
| 6 | 416323001 | MOTOR , BRACKET SCREW WASHER |
| 7 | 416327701 | TIMING BELT |
| 8 | 416698801 | ROTATING SHAFT BUSHING (LEFT) |
| 9 | 416698901 | ROTATING SHAFT BUSHING (RIGHT) |
| 10 | 416699001 | ROTATING SHAFT THRUST WASHER |
| 11 | 416699101 | ROTATING SHAFT |
| 12 | 416699201 | ROTATING SHAFT RETAINING RING |
| 13 | 416699301 | ROTATING SHAFT SPRING PIN |
| 14 | 416698601 | ROTATING SHAFT BA LANCE WEIGHT COMP. |
| 15 | 68015896 | ROTATING SHAFT BA LANCE WEIGHT COMP.SCREW |
| 16 | 416668601 | HAND WHEEL HD0400S-HD0405S |
| 16 | 68016874 | HAND WHEEL X5004-HD |
| 17 | 416323201 | WASHER |
| 18 | 416324601 | SCREW |
| 19 | 68016882 | HAND WHEEL CAP HD0400S-HD0405S |
| 19 | 68016883 | HAND WHEEL CAP X5004-HD |
| 20 | 68016884 | FOOT CONTROLLER COMP. (CARBON 220-240V)(PLUG C-TYPE) |
| 21 | 68016885 | CORD RETAINER |

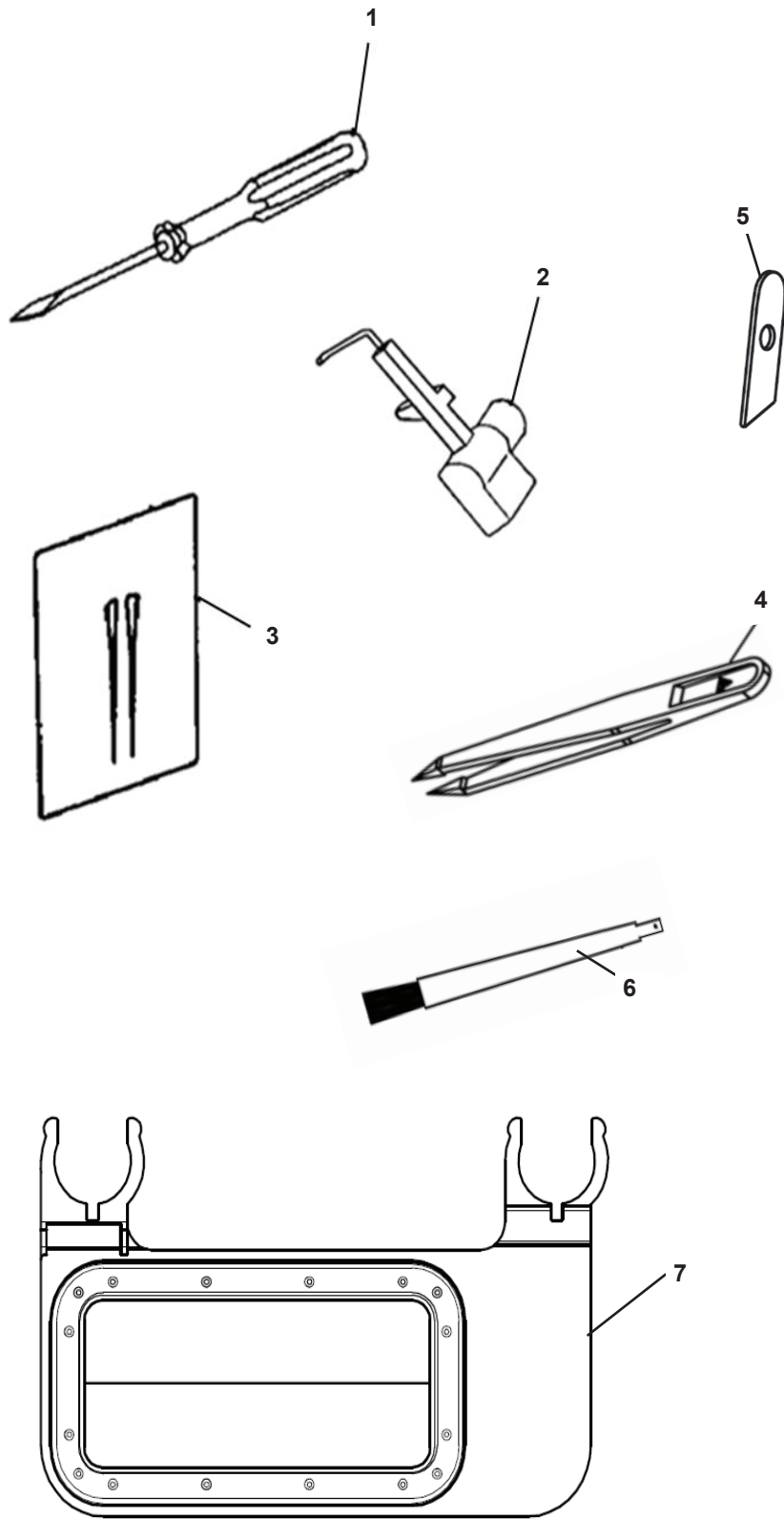
H

120V



| Pos | Part Number | Description |
|------|-------------|---|
| 120V | | |
| 1 | 416669001 | LED LIGHT COMP.(FOR 120V) |
| 2 | 416698701 | CORD CLAMPING PLATE |
| 3 | 416324101 | CORD CLAMPING PLATE SCREW |
| 4 | 416678201 | MOTOR , SWITCH BOX COMP. (120V) |
| 5 | 416324802 | MOTOR , BRACKET SCREW |
| 6 | 416323001 | MOTOR , BRACKET SCREW WASHER |
| 7 | 416327701 | TIMING BELT |
| 8 | 416698801 | ROTATING SHAFT BUSHING (LEFT) |
| 9 | 416698901 | ROTATING SHAFT BUSHING (RIGHT) |
| 10 | 416699001 | ROTATING SHAFT THRUST WASHER |
| 11 | 416699101 | ROTATING SHAFT |
| 12 | 416699201 | ROTATING SHAFT RETAINING RING |
| 13 | 416699301 | ROTATING SHAFT SPRING PIN |
| 14 | 416698601 | ROTATING SHAFT BA LANCE WEIGHT COMP. |
| 15 | 68015896 | ROTATING SHAFT BA LANCE WEIGHT COMP.SCREW |
| 16 | 416668601 | HAND WHEEL HD0400S-HD0405S |
| 16 | 68016874 | HAND WHEEL X5004-HD |
| 17 | 416323201 | WASHER |
| 18 | 416324601 | SCREW |
| 19 | 68016882 | HAND WHEEL CAP HD0400S-HD0405S |
| 19 | 68016883 | HAND WHEEL CAP X5004-HD |
| 20 | 416669201 | FOOT CONTROLLER COMP. (OPTIONAL) |

J



| Pos | Part Number | Description |
|-----|-------------|--|
| 1 | 270 541514 | SCREW DRIVER (SMALL) |
| 2 | 416326901 | CONVERSION |
| 3 | 552225 | NEEDLE PACK(CAT 2022 90/14) |
| 4 | 68015893 | PLASTIC TWEEZERS |
| 5 | 416325901 | KNIFE |
| 6 | 416678001 | LINT BRUSH WITH HOLE FOR MOUNTING NEEDLE |
| 7 | 416678101 | WASTE BAG COMP. |