

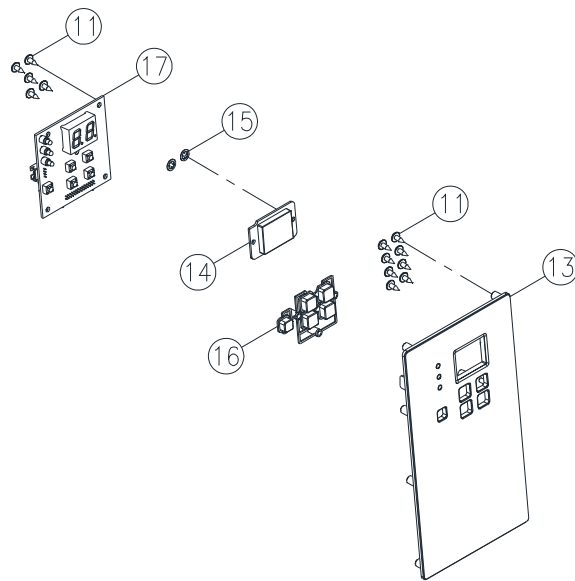
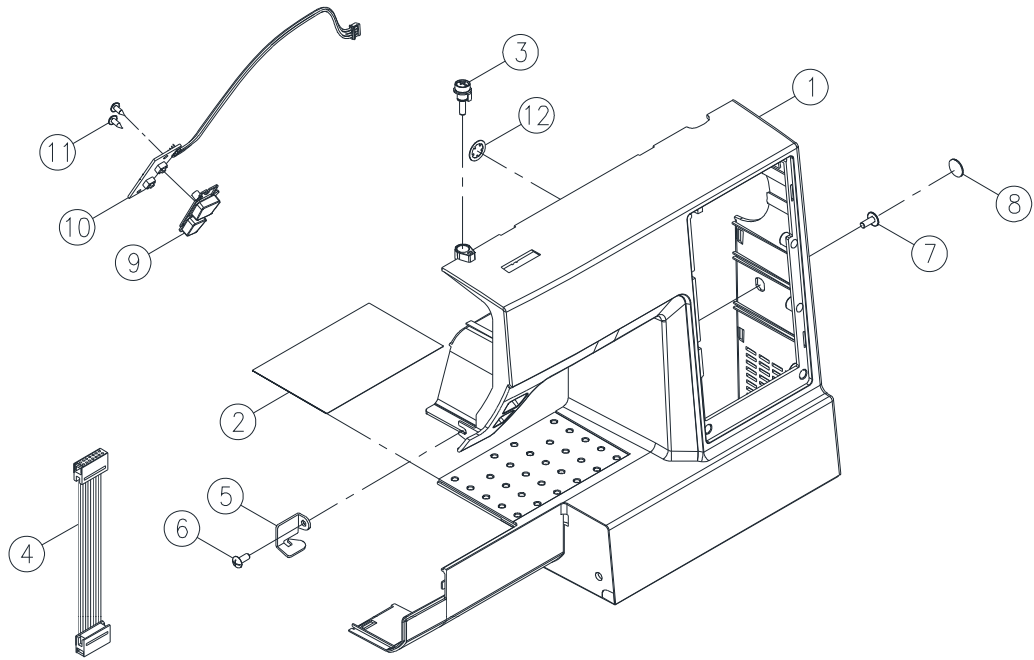


**SINGER®**

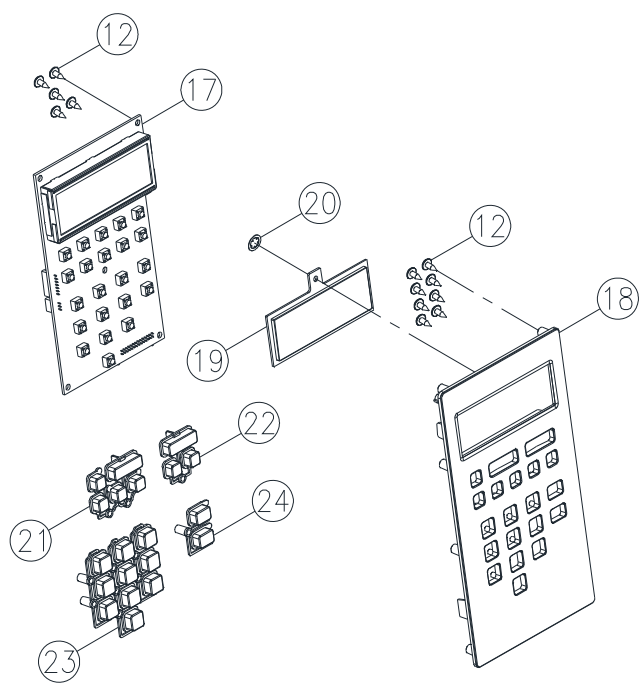
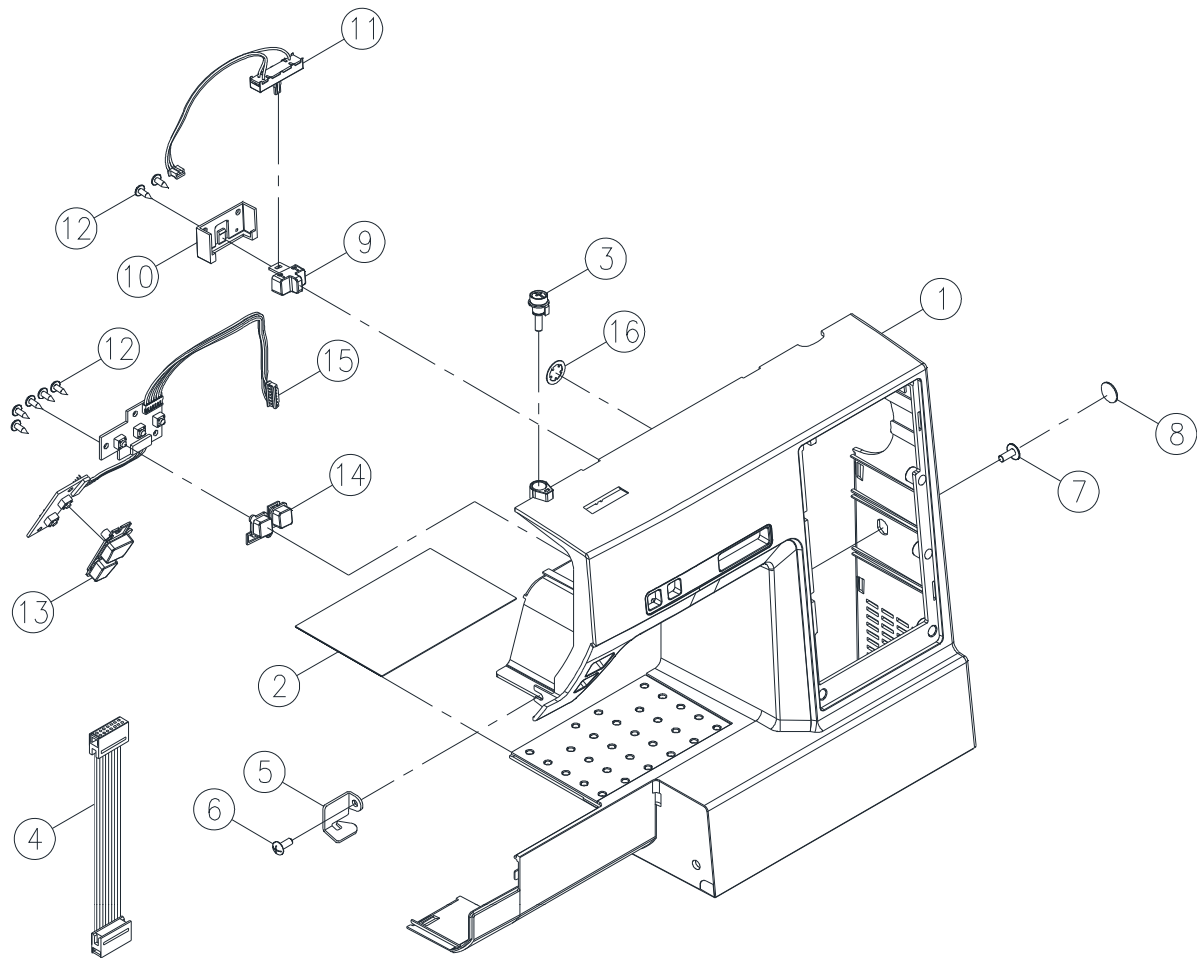
HD6600 -HD6605  
CHD6700-HD6705  
CHD6800C-HDD6805C

® A registered trademark of The Singer Company Ltd. or its affiliates.  
® *Una marca registrada de The Singer Company Ltd. o sus afiliados.*  
® *Une marca déposée de The Singer Company Ltd. ou ses filiales.*

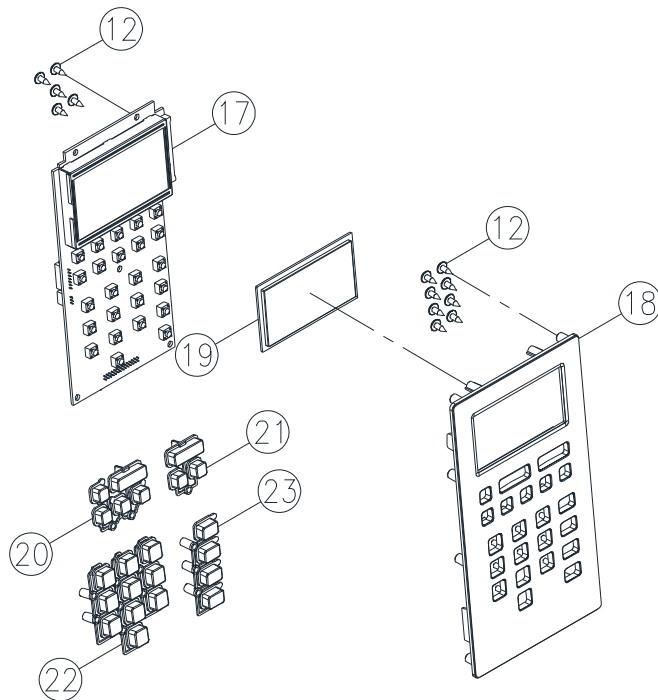
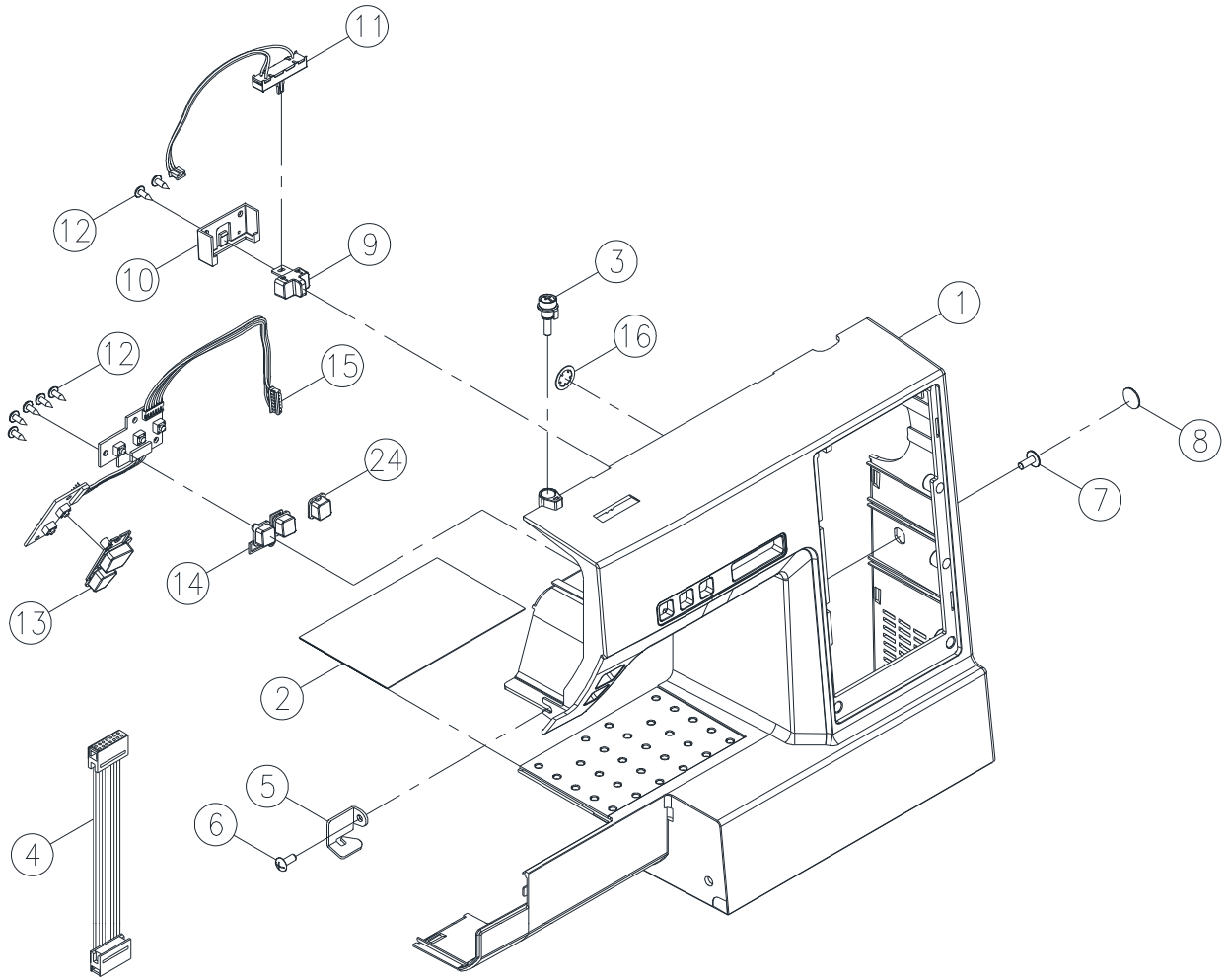
Liste de pièces  
Lista de Piezas  
Parts List



Ref No	Part No	Part Name
1	68015136	FRONT COVER HD660XC
2	68015137	SLAB CPL. (RIGHT)
3	68015139	BOBBIN WINDER THREAD GUIDE ADJUSTING CPL.
4	68015142	ROW LINE
5	416145101	ARM THREAD GUIDE PLATE
6	416121501	SET SCREW (M4x8 A)
7	270 00424058	SET SCREW (M4x8)
8	416736501	PLATE (1)
9	68015149	REVERSE & START/STOP BUTTON
10	68015153	UP & DOWN FIXED POSITION SWITCH
11	416681501	SET SCREW (M3x8.5)
12	416116701	CS RING (CSTW-5)
13	68015155	FRONT PANEL HD660XC
14	68015156	LCD PLASTIC COVER
15	270 003020033	CS RING (CSTW-3)
16	68015157	FUNCTION BUTTON (1)
17	68015158	LED MAIN CIRCUIT BOARD

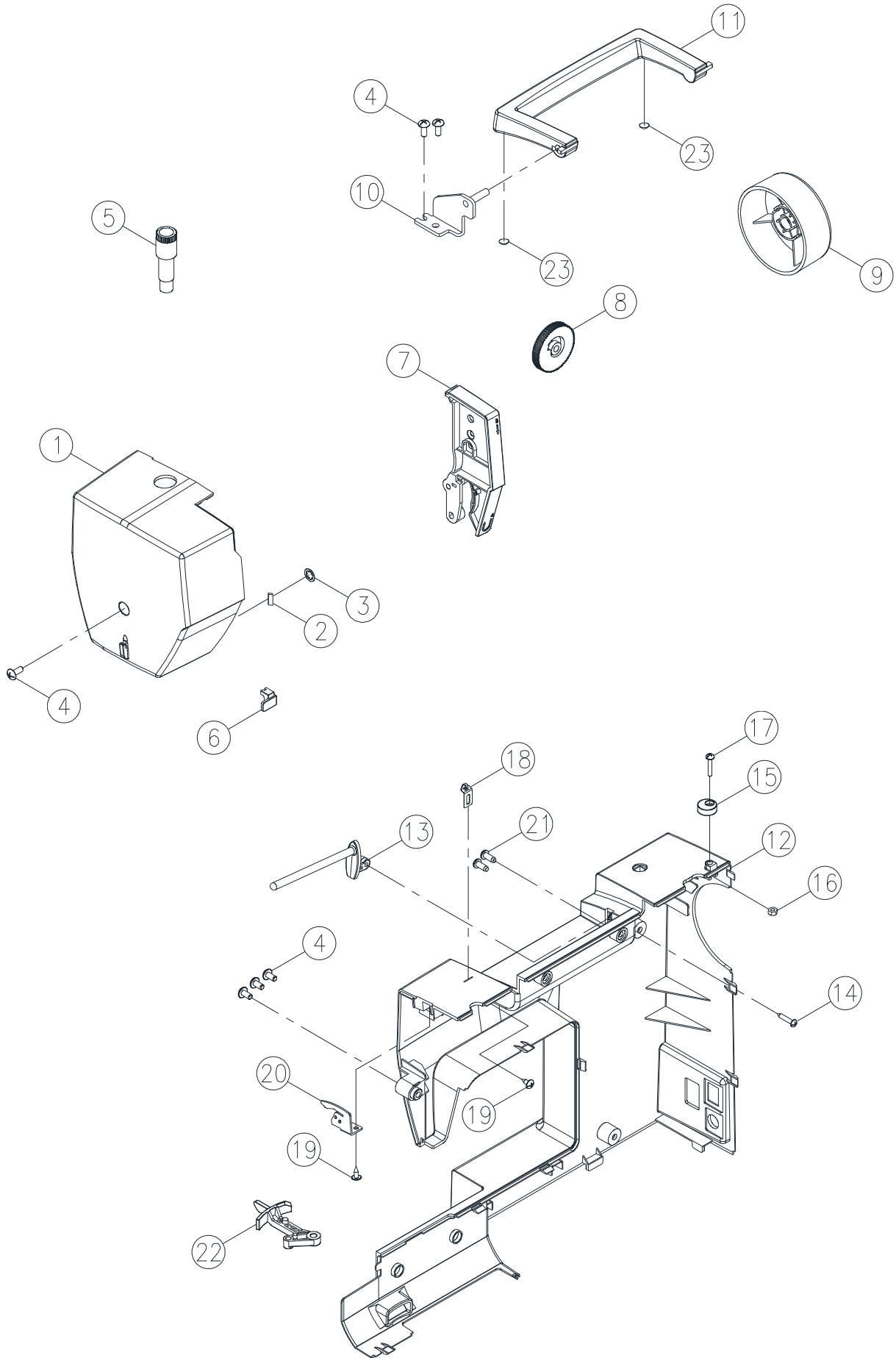


Ref No	Part No	Part Name
1	68015159	FRONT COVER HD670XC
2	68015137	SLAB CPL. (RIGHT)
3	68015139	BOBBIN WINDER THREAD GUIDE ADJUSTING CPL.
4	68015142	ROW LINE
5	416145101	ARM THREAD GUIDE PLATE
6	416121501	SET SCREW (M4x8 A)
7	270 00424058	SET SCREW (M4x8)
8	416736501	PLATE (1)
9	68015160	SLIDE VOLUME KNOB
10	416307001	SLIDE VOLUME KNOB CONNECTOR
11	68003819	SLIDE VOLUME
12	416681501	SET SCREW (M3x8.5)
13	68015161	REVERSE & START/STOP BUTTON
14	68015162	OPERATION BUTTON (1)
15	68015164	UP & DOWN FIXED POSITION SWITCH
16	416116701	CS RING (CSTW-5)
17	68015165	LCD MAIN CIRCUIT BOARD
18	68015166	FRONT PANEL
19	68015168	LCD PLASTIC COVER
20	270 003020033	CS RING (CSTW-3)
21	68015167	FUNCTION BUTTON (1)
22	68015169	FUNCTION BUTTON (2)
23	68015170	NUMERAL BUTTON
24	68015171	SETTING BUTTON



Ref No	Part No	Part Name
1	68015343	FRONT COVER HD680XC
2	68015137	SLAB CPL. (RIGHT)
3	68015139	BOBBIN WINDER THREAD GUIDE ADJUSTING CPL.
4	68015142	ROW LINE
5	416145101	ARM THREAD GUIDE PLATE
6	416121501	SET SCREW (M4x8 A)
7	270 004240586	SET SCREW (M4x8)
8	416736501	PLATE (1)
9	68015160	SLIDE VOLUME KNOB
10	416307001	SLIDE VOLUME KNOB CONNECTOR
11	68003819	SLIDE VOLUME
12	416681501	SET SCREW (M3x8.5)
13	68015161	REVERSE & START/STOP BUTTON
14	68015162	OPERATION BUTTON
15	68015164	UP & DOWN FIXED POSITION SWITCH
16	416116701	CS RING (CSTW-5)
17	68015347	LCD MAIN CIRCUIT BOARD
18	68015348	FRONT PANEL
19	68015358	LCD PLASTIC COVER
20	68015167	FUNCTION BUTTON (1)
21	68015169	FUNCTION BUTTON (2)
22	68015170	NUMERAL BUTTON
23	68015359	SETTING BUTTON
24	68015360	OPERATION BUTTON (2)

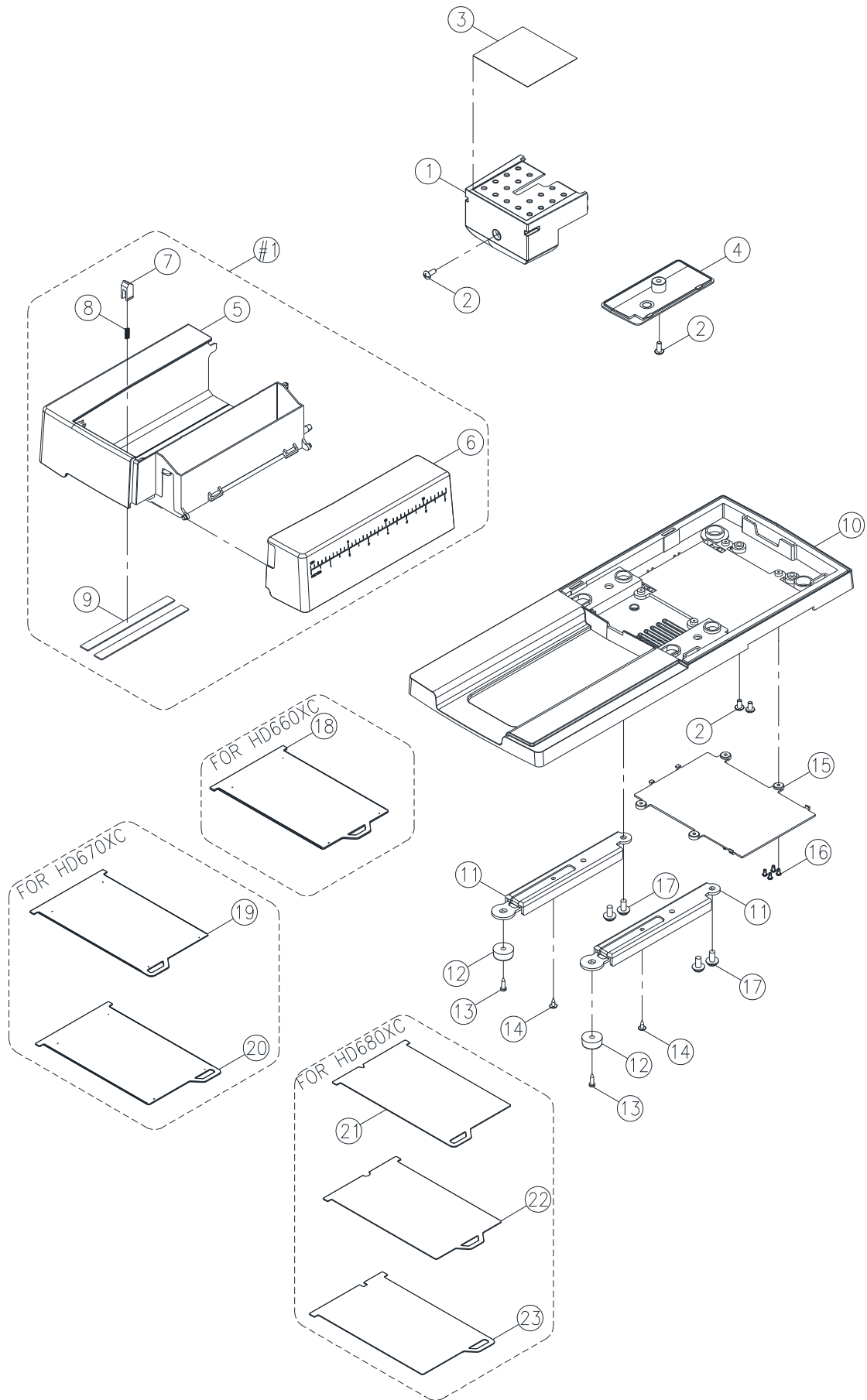
# D





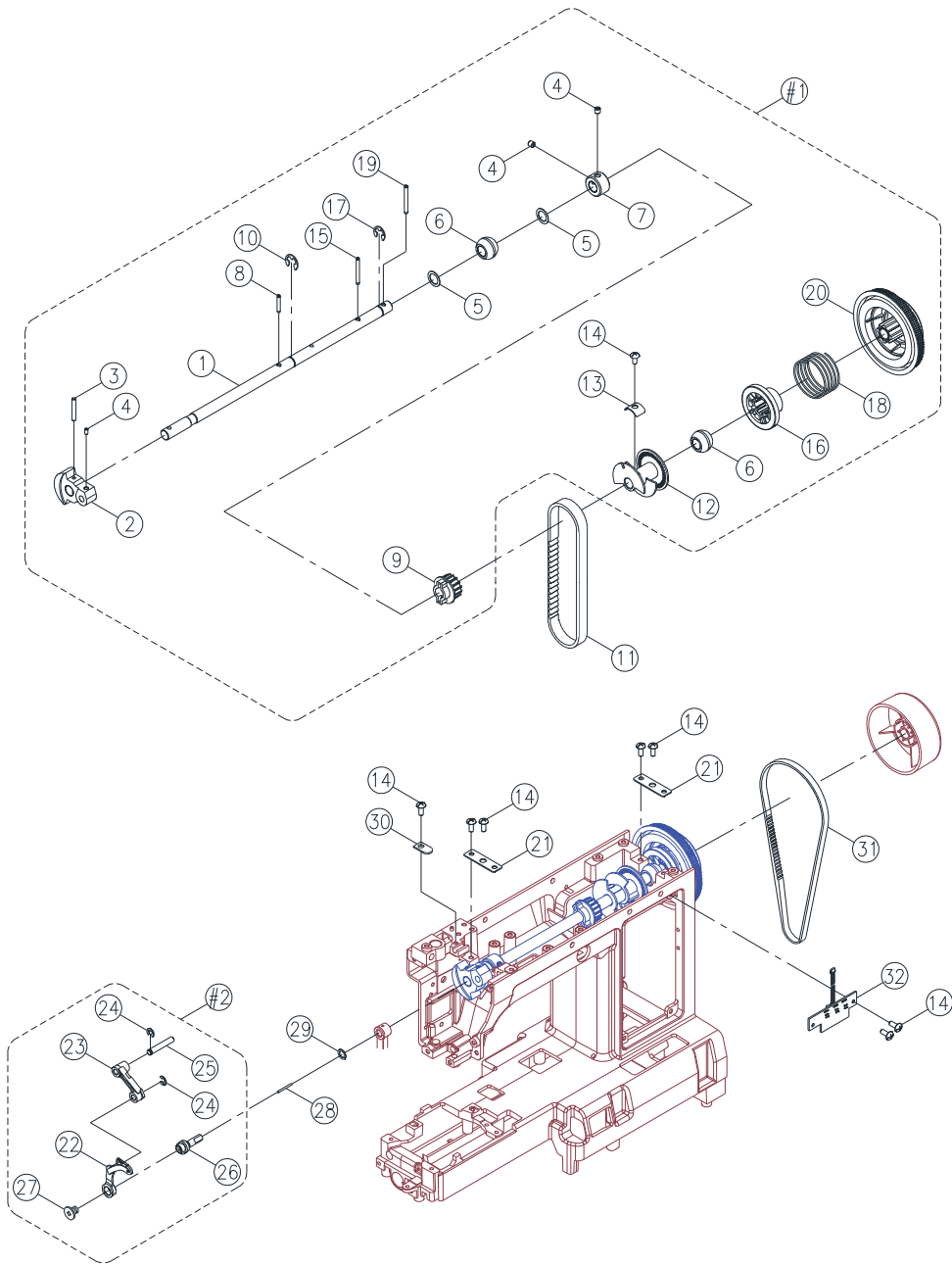
Ref No	Part No	Part Name
1	68015172	FACE COVER
2	412423701	CUTTER
3	416116701	CS-RING (CSTW-5)
4	416121501	SET SCREW (M4x8 A)
5	68015173	PRESSER BAR REGULATING SCREW CPL.
6	68015178	BH LEVER BUTTON
7	68015180	TENSION SUPPORTER COVER
8	68015182	THREAD TENSION DIAL
9	68015183	HAND WHEEL
10	270 V62033006	ARM TOP COVER PLATE CPL.
11	68015185	HANDLE
12	68015186	BACK COVER
13	416738401	SPOOL ROD
14	270 004230646	SET SCREW (M3x16.7 B)
15	416554101	BOBBIN WINDER STOPPER
16	416126301	NUT (9/64x40 t=3)
17	416793601	SET SCREW (9/64x4 L=18)
18	416804501	THREAD GUIDE
19	416681501	SET SCREW (M3x8.5)
20	68015187	THREAD GUIDE CPL.
21	416122201	SET SCREW (M4x10 B)
22	68015188	TOOTH LEVER ARM
23	68015189	SPACER

# E



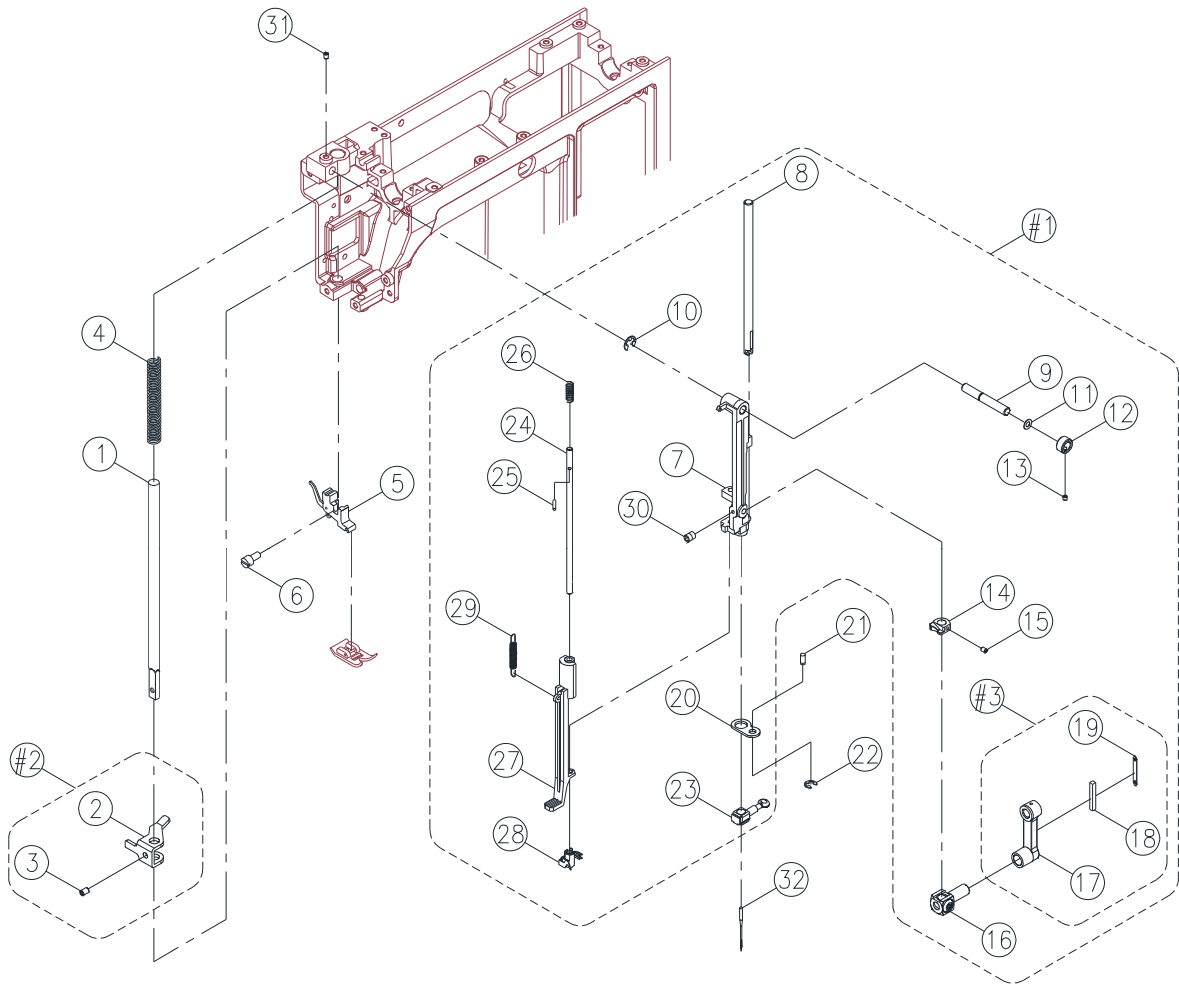
Ref No	Part No	Part Name
1	68015206	FREE ARM COVER
2	416121501	SET SCREW (M4x8 A)
3	68015207	SLAB CPL. (LEFT)
4	68015210	FREE ARM BASE PLATE
5	68015220	SEWING TABLE CPL.
6	#1	SEWING TABLE CPL.
7	#1	
8	416424401	SEWING TABLE BODY GUIDE SPRING
9	#1	
10	68015213	BASE
11	68015214	FREE ARM FOOT
12	68012007	FREE ARM BASE CUSHION RUBBER
13	416716601	SET SCREW (M3x12)
14	416681501	SET SCREW (M3x8.5)
15	68015215	PATTERN PLATE COVER
16	416632701	SET SCREW (M2.5x5)
17	270 004250426	SET SCREW (M5x10)
18	68015216	PATTERN PLATE
19	68015218	PATTERN PLATE (1)
20	68015219	PATTERN PLATE (2)
21	68015361	PATTERN PLATE (1)
22	68015362	PATTERN PLATE (2)
23	68015363	PATTERN PLATE (3)
#1	68015220	SEWING TABLE CPL.

# F

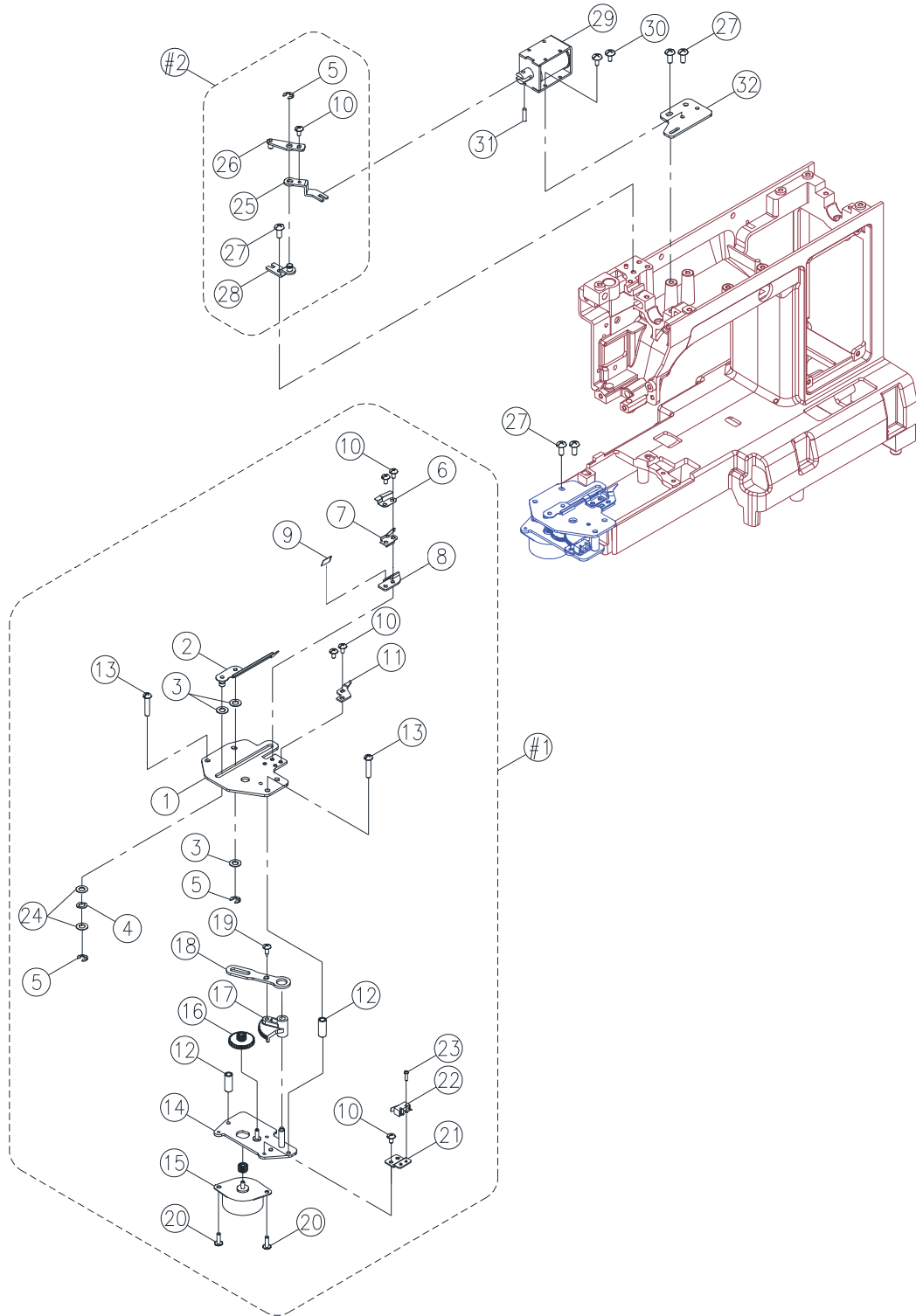


Ref No	Part No	Part Name
1	270 H1A0033000	ARM SHAFT
2	416542401	ARM SHAFT BALANCE
3	416117701	PIN (3.5x24)
4	416123601	SET SCREW (M5x5 C)
5	416125101	ENDURE ATTRITION WASHER
6	416156301	ARM SHAFT BUSING
7	416156501	ARM SHAFT COLLAR
8	416117601	SPRING PIN (3x18)
9	416680201	ARM SHAFT SPROCKET
10	416116501	E-RING (ETW-9)
11	416680301	BELT
12	68015222	ROTARY SENSOR COLLAR
13	416133301	ARC WASHER
14	416121501	SET SCREW (M4x8 A)
15	270 003043028	SPRING PIN (3x28)
16	416307201	CLUTCH SLEEVE
17	270 003010083	E-RING (ETW-8)
18	270 D5A0573003	ARM SHAFT CLUTCH ANNULUS SPRING
19	416680701	SPRING PIN (3x30)
20	416680801	ARM SHAFT DRIVE BELT PULLEY
21	416161701	ARM SHAFT BUSHING HOLDER PLATE
22	416543101	THREAD TAKE UP LEVER CPL.
23	#2	THREAD TAKE UP LEVER SUPPORTER
24	416116001	E-RING (ETW-3)
25	416162201	THREAD TAKE UP LEVER SUPPORTER SHAFT
26	416543201	ARM SHAFT BALANCE PIN CPL.
27	416404401	SET SCREW (9/64x40x5)
28	416543401	OIL COTTON
29	416125901	ENDURE ATTRITION WASHER (6.2x9.6x0.5)
30	416152201	CARRYING HANDLE SHAFT
31	416685701	BELT
32	68003049	PHOTO SENSOR CPL.
#1	68015223	ARM SHAFT CPL.
#2	416466701	THREAD TAKE UP LEVER CPL.

# G

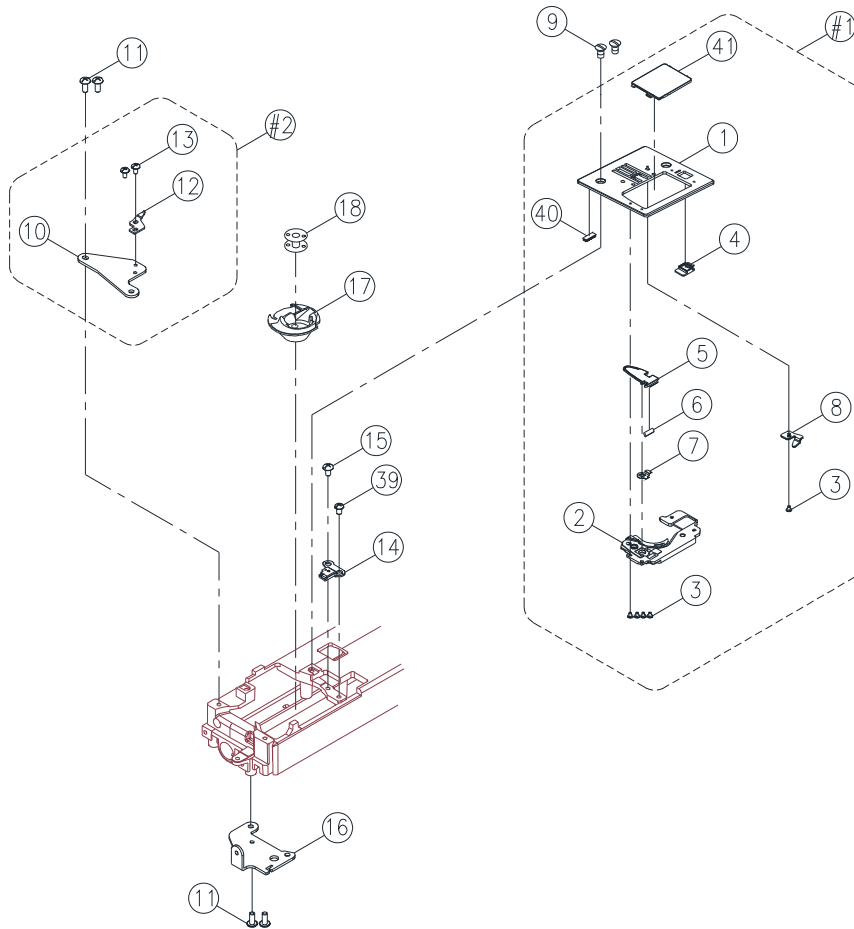
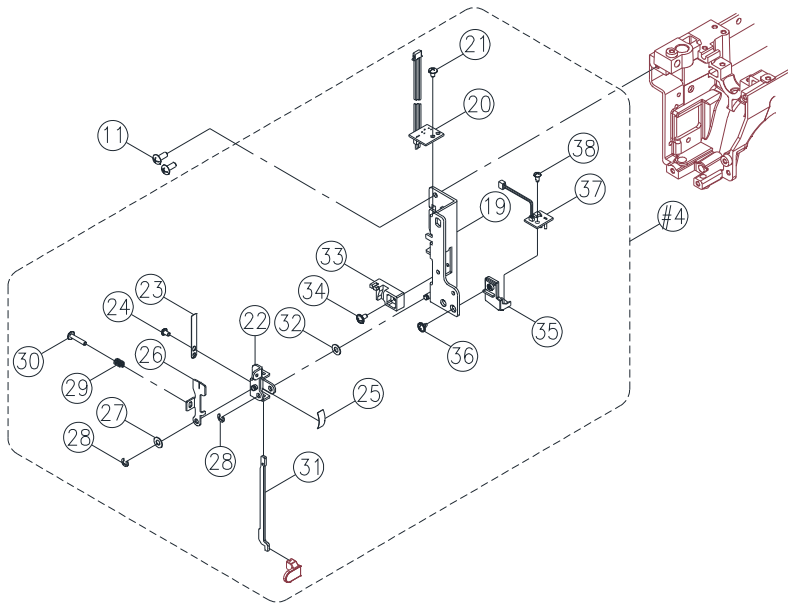


Ref No	Part No	Part Name
1	416173401	PRESSER BAR
2	68013267	PRESSER BAR BRACKET
3	416122101	SET SCREW (M4x6 C)
4	68015224	PRESSER BAR SPRING
5	416128201	SHANK CPL.
6	416118401	SET SCREW (9/64x40x7)
7	416566901	NEEDLE BAR SUPPORTER
8	416173601	NEEDLE BAR
9	416642401	NEEDLE BAR SUPPORTER PIN
10	416116301	E-RING (ETW-5)
11	270 004300186	WASHER (6.2x12x0.5)
12	68015225	COLLAR
13	416120001	SET SCREW (M3x3 C)
14	68013217	THREADING STOPPER
15	068013218	SET SCREW (M3x4 C)
16	416150801	NEEDLE BAR BRACKET CPL.
17	68015226	NEEDLE BAR CRANK ROD
18	68015227	OIL COTTON
19	68015229	OIL COTTON HOLDER PLATE
20	416567001	NEEDLE BAR SUPPORTER
21	68014111	NEEDLE BAR SUPPORTER PLATE PIN
22	416116101	E-RING (ETW-4)
23	416245301	NEEDLE CLAMP CPL.
24	68015230	THREADING SHAFT
25	416117201	AUTO THREADER SHAFT PIN (2x14)
26	68015231	SPRING
27	270 R10083000	AUTO THREAD LEVER
28	68003556	AUTO THREADER
29	68015232	SPRING
30	416184601	SET SCREW (M3x4 C)
31	416121001	SET SCREW (M4x5 C)
32		NEEDLE
#1	68015233	NEEDLE BAR SUPPORTER CPL.
#2	68015235	PRESSER BAR BRACKET CPL.
#3	68015238	NEEDLE BAR CRANK ROD CPL.

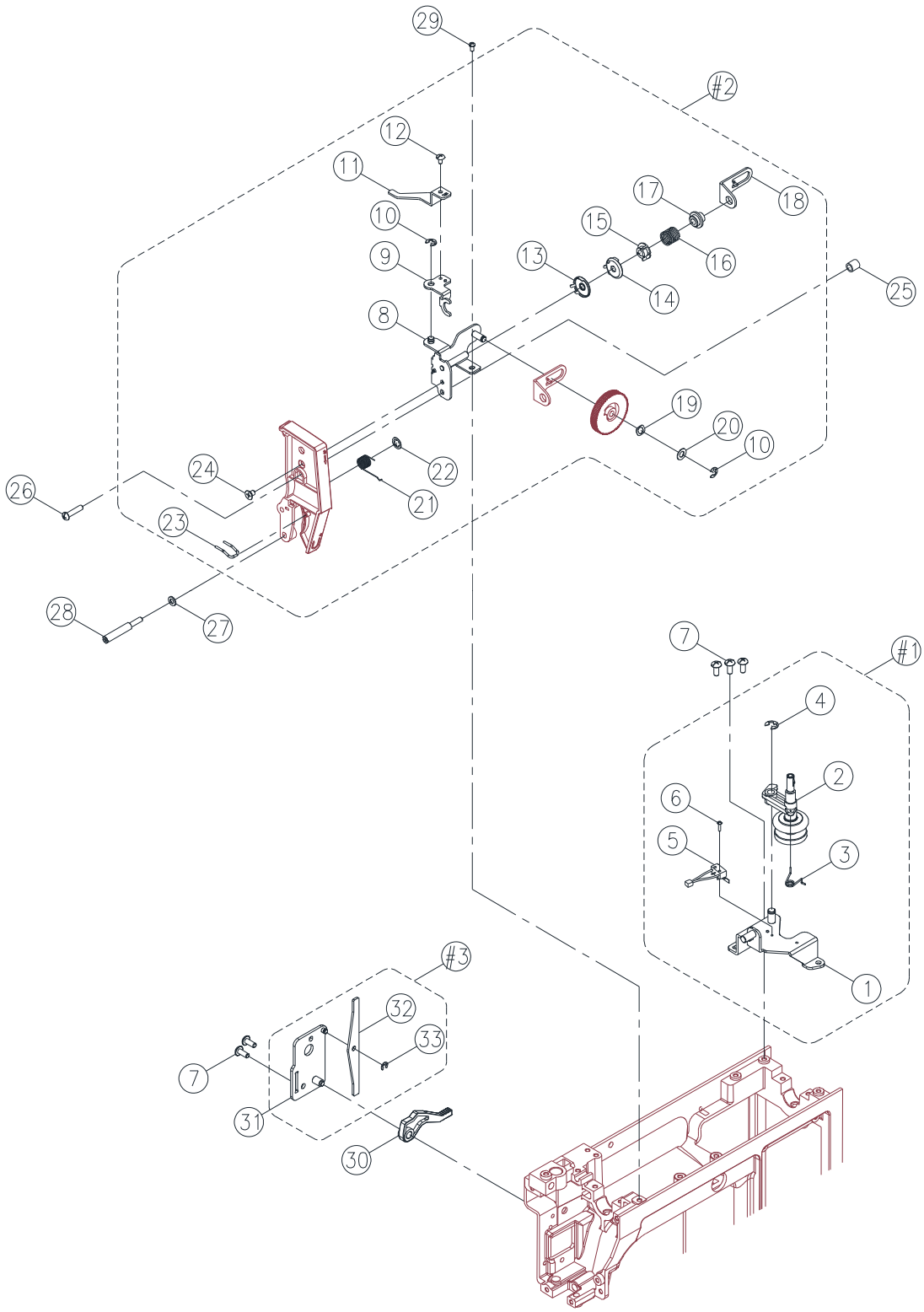




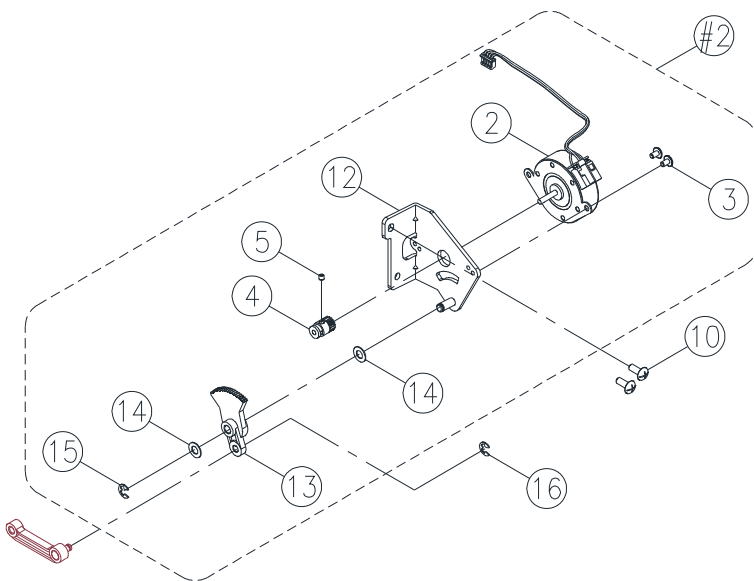
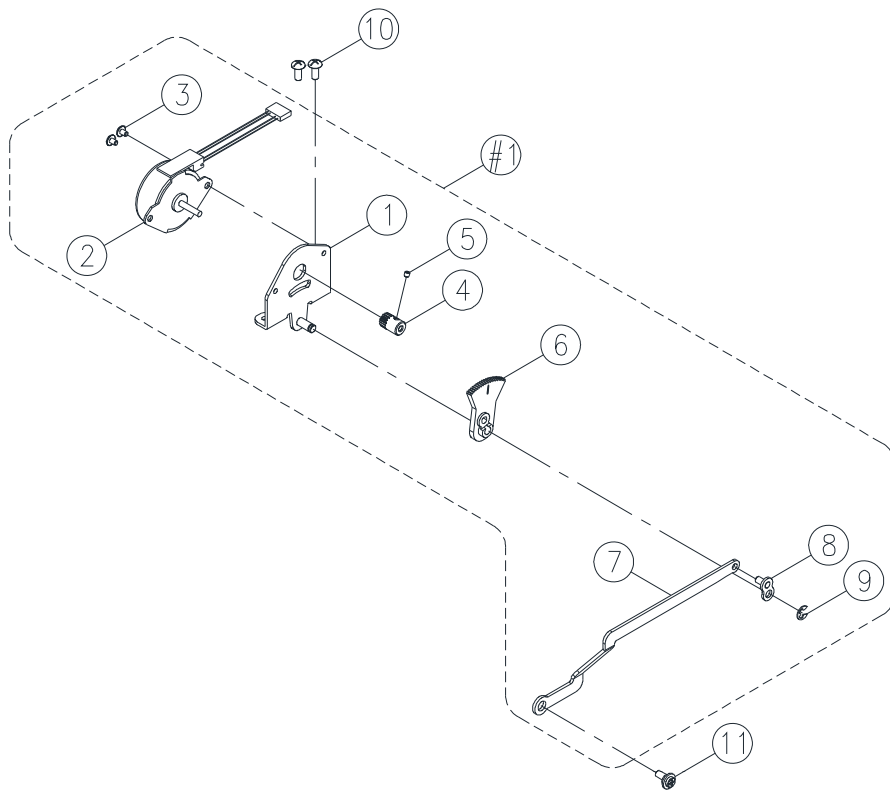
Ref No	Part No	Part Name
1	68015364	MOVABLE CUTTER PLATE
2	68015365	MOVABLE CUTTER PLATE
3	416124501	WASHER (5.2x10x0.5)
4	416567501	WASHER (WW-5.2)
5	416116101	E-RING (ETW-4)
6	416567601	MOVABLE KNIFE PLATE
7	68015366	SPLINT
8	68015367	FIXED BRACKET
9	412423701	THREAD CUTTER
10	416569401	SET SCREW (M3x4 A)
11	416687601	ROTARY HOOK PLATE
12	416567801	SLEEVE
13	416567901	SET SCREW (M4x25 B)
14	68015368	PULSE MOTOR PLATE
15	68015369	PULSE MOTOR CPL.
16	416568201	LOWER THRAD GEAR
17	416568301	MOVABLE CUTTER GEAR
18	416568401	MOVABLE CUTTER CRANK
19	416681501	SET SCREW (M3x8.5)
20	68015301	SET SCREW (M3x3.5 A)
21	416568501	TRIMMER MICRO SWITCH SUPPORTER
22	416569701	MICRO SWITCH CPL.
23	416119101	SET SCREW (M2x0.4 L=7.5)
24	416186201	WASHER (5.2x10x0.2)
25	416569201	MOVEMENT PLATE CRANK
26	416569301	MOVEMENT PLATE CRANK PLATE
27	416121501	SET SCREW (M4x8 A)
28	416569101	MOVEMENT PLATE SUPPORTER
29	416569001	SOLENOID VALVE
30	416119201	SET SCREW (M3x6 A)
31	416680701	PIN (3x30)
32	416568901	SOLENOID VALVE PLATE
#1	68015370	AUTO CUTTER CPL.
#2	416828801	MOVEMENT PLATE CRANK CPL



Ref No	Part No	Part Name
1	68015280	NEEDLE PLATE
2	68003729	NEEDLE PLATE SUPPORTER
3	270 0042200016	SET SCREW (M2x3)
4	416155201	NEEDLE PLATE COVER OPEN
5	68015281	THREAD GUIDE STAND
6	412423701	THREAD CUTTER
7	68003570	PRESS PLATE
8	68015282	NO SKIPPING PLATE
9	416122901	SET SCREW (M4x6)
10	416687501	ROTARY HOOK PLATE FOR HD660XC/HD670XC
11	416121501	SET SCREW (M4x8 A)
12	416687601	ROTARY HOOK PLATE
13	416569401	SET SCREW (M3x4 A)
14	416769001	ROTARY HOOK PLATE (2) CPL.
15	68015283	SET SCREW (M4x6 A)
16	416569501	SUPPORTER
17	416568801	SHUTTLE HOOK ASSEMBLE
18	68000175	BOBBIN
19	68015285	BH LEVER PLATE CPL.
20	416642801	PHOTO SENSOR CPL.
21	416120601	SET SCREW (M3x5 A)
22	68015287	BH LEVER CRANK CPL.
23	68015288	BH LEVER CRANK SPRING
24	270 004230056	SET SCREW (M3x5 B)
25	416310401	BH SPRING PLATE
26	416569801	PHOTO PLATE
27	270 004300096	WASHER (4x8x0.5)
28	416116001	E-RING (ETW-3)
29	416306901	PULSE SUPPORT SPRING
30	416570101	SET SCREW (M3x16)
31	416686501	BH LEVER
32	416185901	WASHER (4.2x9x0.5)
33	416570201	BH MOVEMENT CRANK
34	416119201	SET SCREW (M3x6 A)
35	68009193	LED HOLDER
36	416686701	SET SCREW (M3x5)
37	68009195	LED LIGHT LAMP CPL.
38	416686601	SET SCREW (M3x6 B)
39	416121201	SET SCREW (M4x6 B)
40	68015371	BRUSH FOR HD680XC
41	68015143	NEEDLE PLATE COVER
#1	68015289	NEEDLE PLATE CPL. FOR HD660XC/HD670XC
	68015372	NEEDLE PLATE CPL. FOR HD680XC
#2	416687901	ROTARY HOOK PLATE CPL. FOR HD660XC/HD670XC
#3	68015290	BH LEVER PLATE CPL.

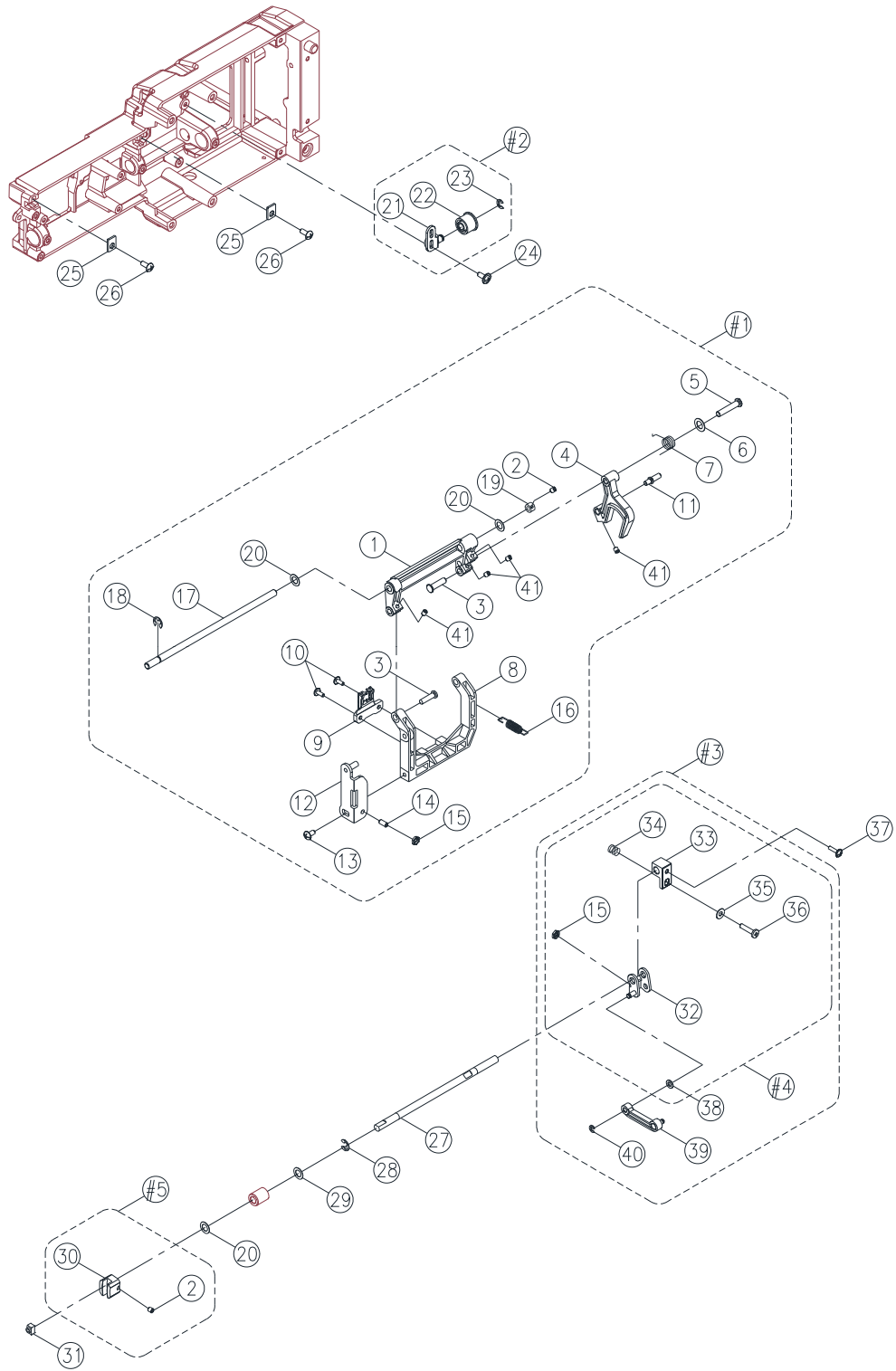


Ref No	Part No	Part Name
1	68015291	BOBBIN WINDER FRAME PLATE CPL.
2	416700601	BOBBIN WINDER CRANK CPL.
3	270 K6A0573003	BOBBIN WINDER CRANK SPRING
4	416116301	E-RING (ETW-5)
5	416480101	MICRO SWITCH
6	416119101	SET SCREW (M2x0.4x7.5)
7	416121501	SET SCREW (M4x8 A)
8	68015292	DIAL TENSION SUPPORTER PLATE CPL.
9	68015293	DIAL TENSION WAFT PLATE
10	416116101	E-RING (ETW-4)
11	68015294	DIAL TENSION WAFT TRIMMING PLATE FOR HD660XC/HD670XC
	68015373	DIAL TENSION WAFT TRIMMING PLATE FOR HD680XC
12	68015295	SET SCREW ( M3x0.5x5 A) FOR HD660XC/HD670XC
	416569401	SET SCREW (M3x4 A) FOR HD680XC
13	68015296	DIAL TENSION DISC
14	416146301	DIAL TENSION DISC
15	416412001	DIAL TENSION SPRING REGULATOR
16	416772201	DIAL TENSION SPRING
17	416153801	DIAL TENSION REGULATOR
18	416162501	DIAL TENSION SPRING PLATE
19	416126001	WASHER (5.4x9x1.5x0.3)
20	416124501	WASHER (5.2x10x0.5)
21	68015297	THREAD GUIDE SPRING
22	416116701	CS-RING (CSTW-5)
23	416198701	THREAD GUIDE
24	416121901	SET SCREW (M4x6 D)
25	416151701	DIAL TENSION GUIDE SPRING TUBE
26	416121701	SET SCREW (M4x15 B)
27	416186401	WASHER (4.1x8x1)
28	416123001	SET SCREW (M4x14 L=37)
29	416121201	SET SCREW (M4x6 B)
30	68003659	PRESSER BAR LIFTER LEVER
31	68013272	CLAMP PLATE
32	68013273	TENSION LEVER LIFTER
33	416116001	E-RING (ETW-3)
#1	416644001	BOBBIN WINDER CPL.
#2	68015298	DIAL TENSION CPL. FOR HD660XC/HD670XC
#2	68015374	DIAL TENSION CPL. FOR HD680XC
#3	68015299	CLAMP PLATE CPL.



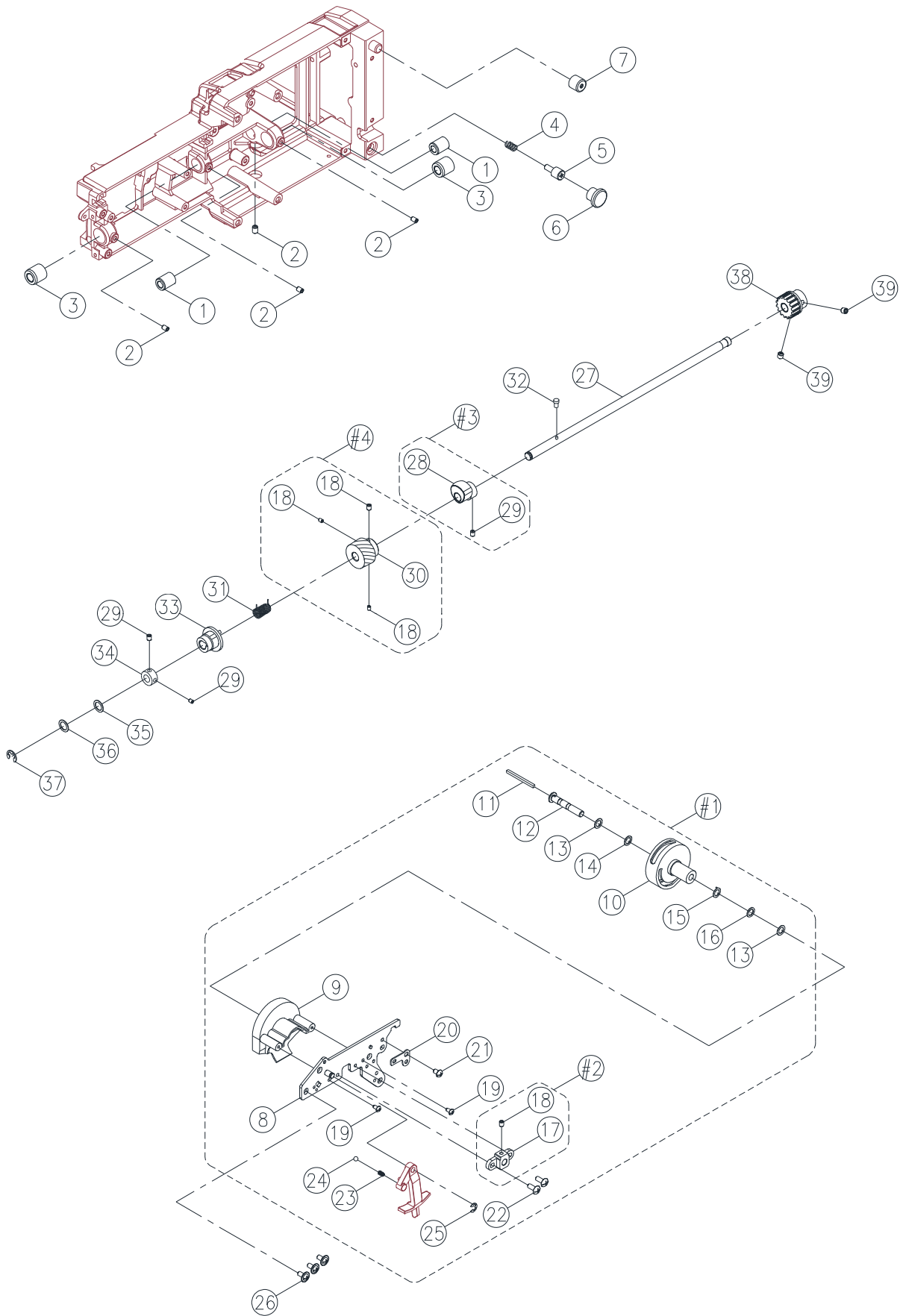
Ref No	Part No	Part Name
1	68015300	ZIGZAG PULSE MOTOR PLATE CPL.
2	68009172	PULSE MOTOR
3	68015301	SET SCREW (M3x3.5 A)
4	68015302	PULSE MOTOR GEAR
5	416120001	SET SCREW (M3x3 C)
6	68015303	ZIGZAG CRANK GEAR
7	416567101	NEEDLE BAR DRIVING ROD
8	270 P3C0123002	NEEDLE BAR DRIVING ROD PLATE
9	416116201	E-RING (ETW-4)
10	416121501	SET SCREW (M4x8 A)
11	416801101	NEEDLE BAR DRIVING ROD PIN
12	68015304	PULSE SUPPORT PLATE CPL.
13	270 P3C0243000	FEED CRANK SHAFT GEAR
14	416186201	WASHER (5.2x10x0.2)
15	416116101	E-RING (ETW-4)
16	416116001	E-RING (ETW-3)
#1	68015306	ZIGZAG PULSE MOTOR PLATE CPL.
#2	68015307	PULSE SUPPORT PLATE CPL.

L

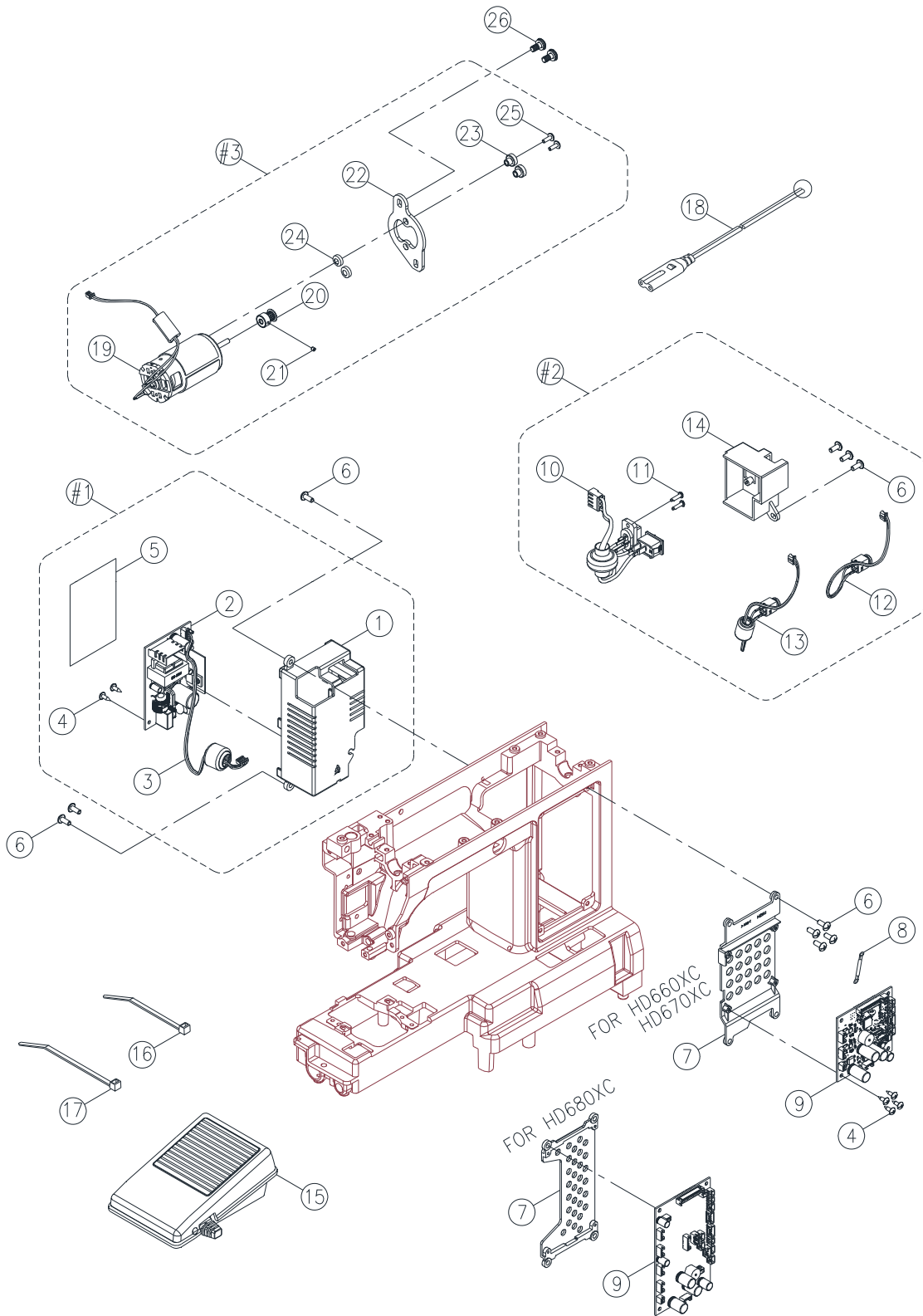




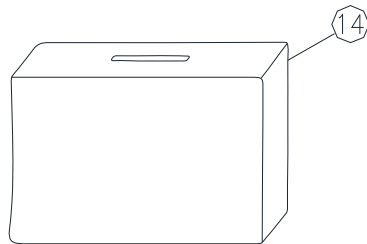
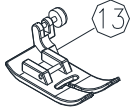
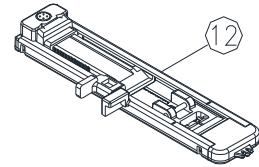
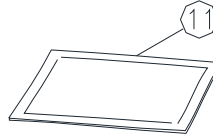
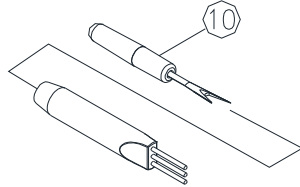
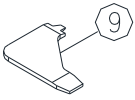
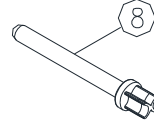
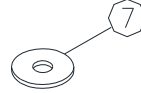
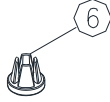
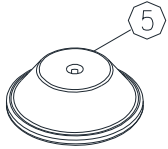
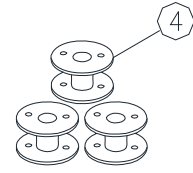
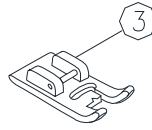
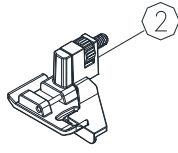
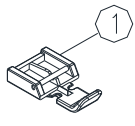
Ref No	Part No	Part Name
1	416570501	FEED ROCK SHAFT
2	416122401	SET SCREW (M4x4 C)
3	416192101	FEED DOG SHAFT
4	416192401	FEED ROCK CRANK
5	416192501	FEED ROCK SHAFT
6	416186301	WASHER (5.2x12x1)
7	416195701	FEED ROCK CRANK SPRING
8	416192001	FEED DOG SUPPORTER
9	416498501	FEED DOG
10	416185001	SET SCREW (M3.5x8 A)
11	416631301	REGULATING BLOCK SHAFT
12	416192301	FEED LIFTING ROCK CRANK
13	416121501	SET SCREW (M4x8 A)
14	416185501	SET SCREW (M4x0.7 L9)
15	68015308	ADJUSTING NUT (ALN-4)
16	68003066	FEED DOG SPRING
17	416570701	FEED ROCK SHAFT
18	416116301	E-RING (ETW-5)
19	416570801	FEED COLLAR
20	416125601	ENDURE ATTRITION WASHER (6.7x11.8x0.5)
21	416683801	BELT ADJUSTING PLATE
22	416683901	BELT ADJUSTING PLATE PULLEY
23	416116101	E-RING (ETW-4)
24	270 00424058	SET SCREW (M4x8)
25	68001430	SET WASHER
26	416523301	SET SCREW (M4x12 A)
27	270 H1A0203000	FEED REGULATING SHAFT
28	416116301	E-RING (ETW-5)
29	416124001	WASHER (6.7x12x1)
30	416356501	FEED REGULATING
31	416356601	FEED REGULATING BLOCK
32	68015309	FEED REGULATING CRANK CPL. (2)
33	68015310	FEED REGULATING CRANK (1)
34	68015311	FEED REGULATING CRANK SPRING
35	68015313	SET SCREW (M4x16)
36	416571401	WASHER (4x10x0.4)
37	416136101	FEED ROCK ROD
38	416185901	WASHER (4.2x9x0.5)
39	416116001	E-RING (ETW-3)
40	416595701	SET SCREW (M3x12)
#1	68015314	FEED ROCK SHAFT CPL.
#2	416633601	BELT ADJUSTING PLATE CPL.
#3	68015316	FEED REGULATING CRANK CPL.
#4	68015317	FEED REGULATING CRANK CPL.
#5	270 D3A1674000	FEED REGULATING CPL.



Ref No	Part No	Part Name
1	416156901	FEED ROCK BUSHING
2	416122101	SET SCREW (M4x6 C)
3	416141701	LOWER SHAFT BUSHING
4	416141701	BASE PLATE ADJUSTMENT SPRING
5	416154601	BASE PLATE ADJUSTMENT SCREW
6	416526001	FREE ARM BASE CUSHION
7	68003263	FREE ARM BASE CUSHION
8	416572401	ROTARY HOOK HOLDER CPL.
9	68013932	SHUTTLE HOOK COVER
10	416479801	SHUTTLE HOOK HOLDER
11	416155801	BOBBIN SHAFT OIL CLOTH
12	416145401	BOBBIN SHAFT
13	416155601	BOBBIN SHAFT WASHER (2)
14	416125901	ENDURE ATTRITION WASHER (6.2x9.6x0.5)
15	416155701	BOBBIN SHAFT WASHER (3)
16	68013850	ENDURE ATTRITION WASHER (6.2x9.6x0.25)
17	416143401	ROTARY HOOK SUPPORTER
18	416121001	SET SCREW (M4x5 C)
19	416119501	SET SCREW (M3x12)
20	416191801	ROTARY HOOK HOLDER POSITIONED PLATE
21	416121201	SET SCREW (M4x6 B)
22	416121501	SET SCREW (M4x8 A)
23	416145001	SPRING
24	416415501	BALL
25	416116201	E-RING (ETW-4)
26	270 00424058	SET SCREW (M4x8)
27	270 H1A0133000	LOWER SHAFT
28	68003196	FEED ROCK CAM
29	416122401	SET SCREW (M4x4 C)
30	68013976	LOWER SHAFT GEAR
31	416191401	LOWER SHAFT SPRING
32	416191301	FEED LIFTING ROCK COM PIN
33	416191201	FEED LIFTING ROCK CAM
34	416158701	LOWER SHAFT COLLAR
35	416125801	ENDURE ATTRITION WASHER (8.2x12x0.5)
36	416186501	WASHER (8.2x12x0.5)
37	416116401	E-RING (ETW-6)
38	416683701	LOWER SHAFT BELT PULLEY
39	416123601	SET SCREW (M5x5 C)
#1	68015318	ROTARY HOOK HOLDER CPL.
#2	68015319	ROTARY HOOK SUPPORTER CPL.
#3	68015320	FEED ROCK CAM CPL.
#4	416197101	LOWER SHAFT GEAR CPL.



Ref No	Part No	Part Name
1	416643201	HF TRANSFORMER BOX
2	68015321	HF TRANSFORMER CPL.
3	68015322	HF TRANSFORMER WIRE
4	416681501	SET SCREW (M3x8.5)
5	270 008H1A0027	SMPS INSULATING SLICE
6	416121501	SET SCREW (M4x8 A)
7	68015323	FRAME OF MAIN CIRCUIT BOARD FOR HD660XC/HD670XC
7	68015376	FRAME OF MAIN CIRCUIT BOARD FOR HD680XC
8	416687301	GROUND CONNECTION
9	68015326	MAIN CIRCUIT BOARD FOR HD660XC
9	68015327	MAIN CIRCUIT BOARD FOR HD670XC
9	68015377	MAIN CIRCUIT BOARD FOR HD680XC
10	68009203	SWITCH RECEPTACLE ASS'Y FOR 120V
10	68009202	SWITCH RECEPTACLE ASS'Y FOR FOR HD680XC /220V~240V HD660XC/ HD670XC
11	416119901	SET SCREW (M3x12 B)
12	416685401	CONTROLLER RECEPTACLE FOR 120V
13	68015378	CONTROLLER RECEPTACLE FOR 220V~240V HD680XC
13	68015328	CONTROLLER RECEPTACLE FOR FOR 220V~240V HD660XC/HD670XC
14	416643701	RECEPTACLE HOLDER
15	68011738	FOOT CONTROLLER
16	416113901	CORD CLIP
17	416115501	CORD CLIP (L=20)
18		POWER CORD CPL. FOR 120V / US
18		POWER CORD CPL. FOR 230V / EU.
18		POWER CORD CPL. FOR 240V / UK.
19	68015330	DC MOTOR
20	416418801	MOTOR WHEEL
21	416120001	SET SCREW (M3x3 C)
22	68015333	MOTOR BRACKET
23	416419001	INSULATION SPACER
24	416418901	INSULATION SPACER
25	416120201	SET SCREW (M3x10)
26	68013176	SET SCREW (M5x12)
#1	68015334	HF TRANSFORMER BOX CPL.
#2	68015335	RECEPTACLE HOLDER CPL. FOR 120V
#2	68015336	RECEPTACLE HOLDER CPL. FOR 220V~240V HD660XC/HD670XC
#2	68015379	RECEPTACLE HOLDER CPL. FOR HD680XC
#3	68015337	DC MOTOR CPL.



Ref No	Part No	Part Name
1	416128701	ZIPPER FOOT (I)
2	416437101	BLIND HEM FOOT (F)
3	416437201	SATIN STITCH FOOT (A)
4	68000175	BOBBIN
5	68003700	SPOOL HOLDER (LARGE)
6	68003701	SPOOL HOLDER (SMALL)
7	416127301	SPOOL PIN FELT
8	68003702	SECOND SPOOL PIN
9	68000177	L-SCREWDRIVER
10	416127701	BRUSH & SEAM RIPPER CPL.
11		NEEDLE
12	270 006H1A0004	BUTTONHOLE FOOT
13	416127501	ALL PURPOSE FOOT
14	68015339	DUST COVER CPL.