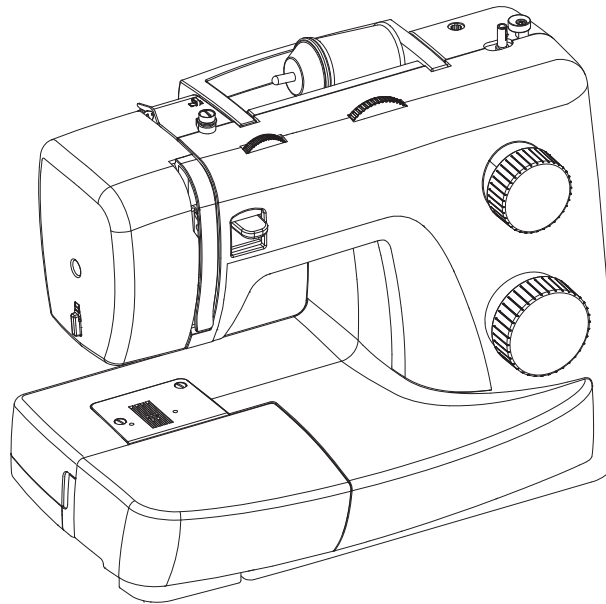




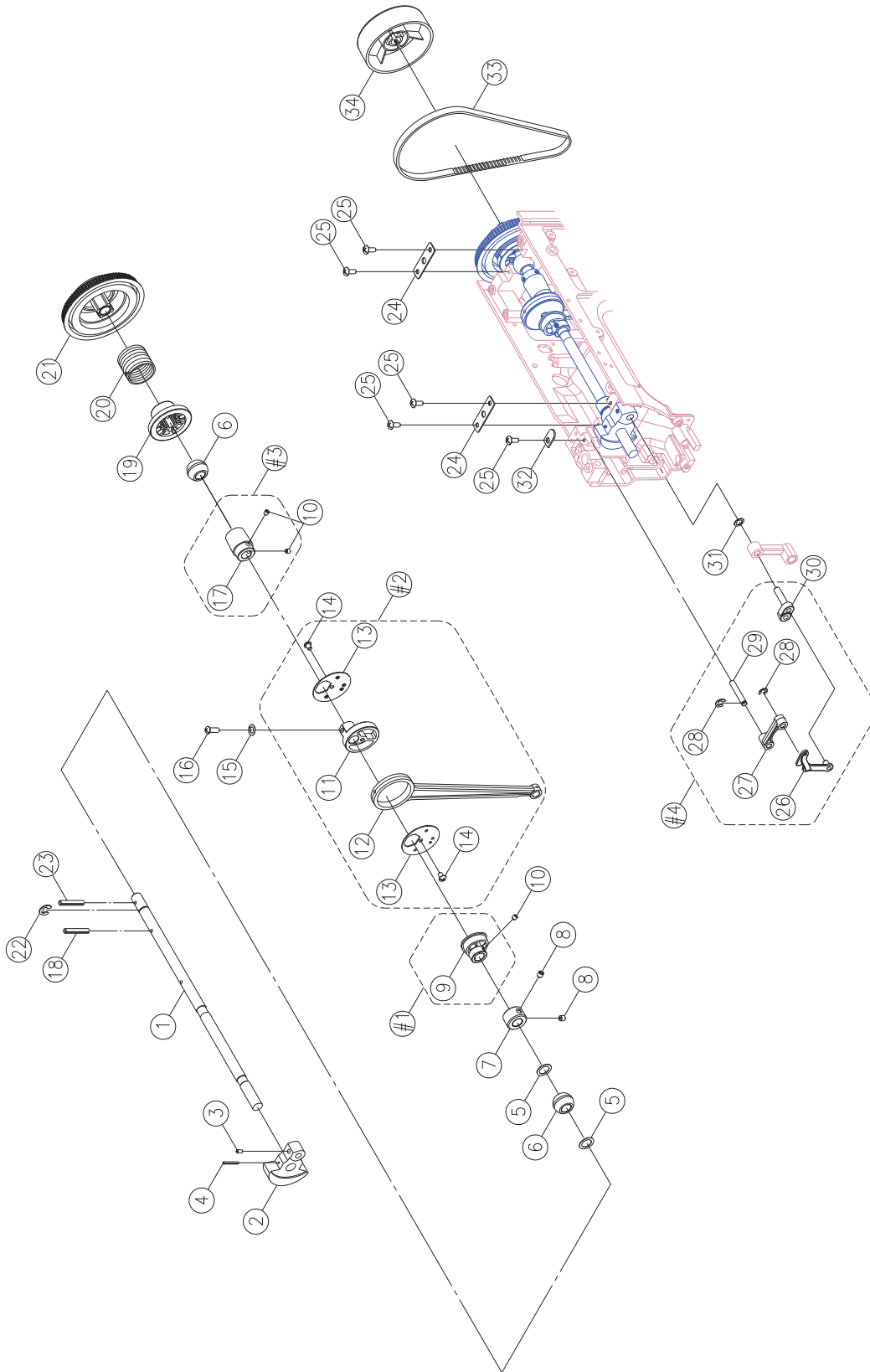
3221  
3232



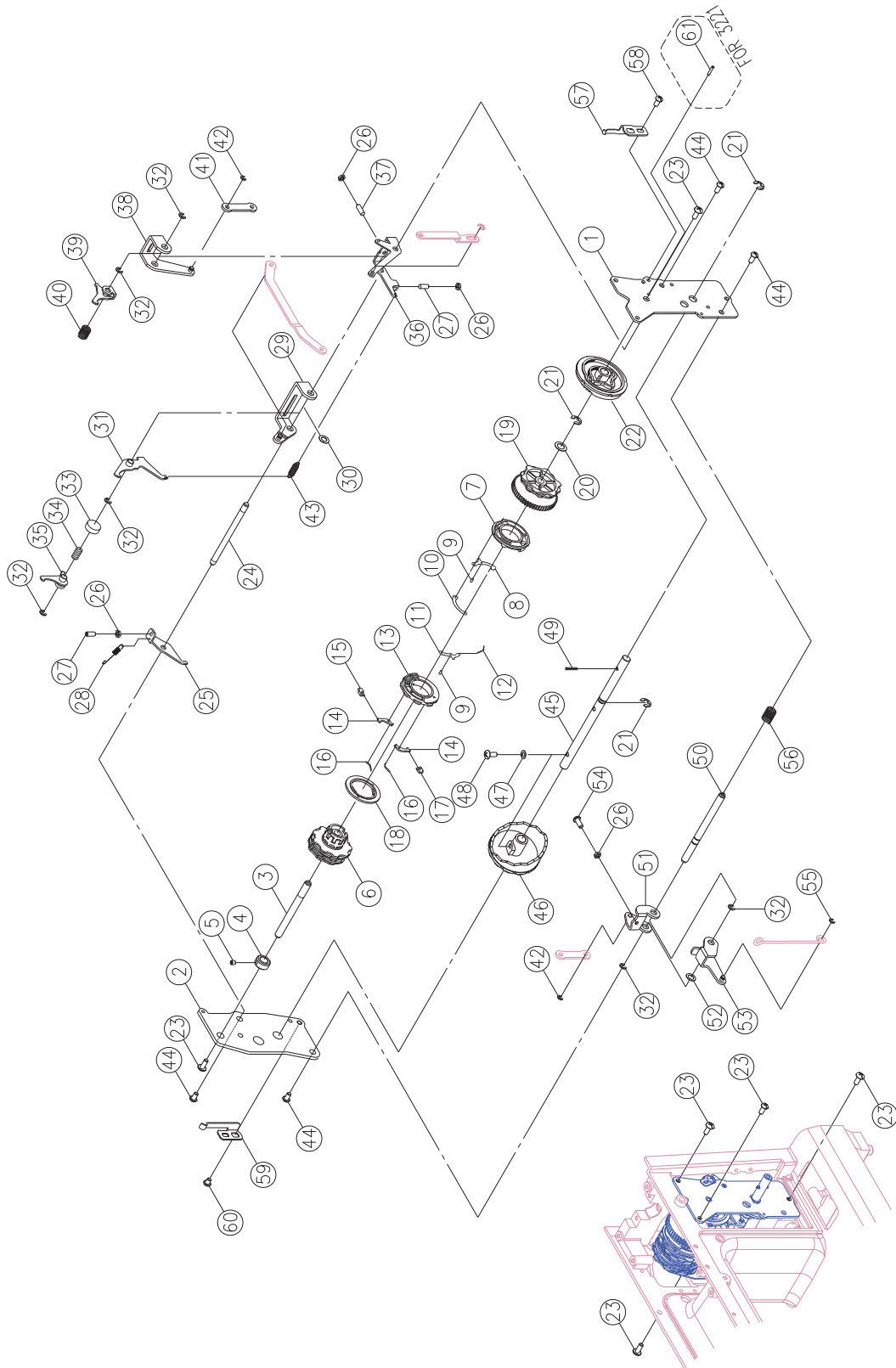
Liste de pièces  
Lista de Piezas  
Parts List

® A registered trademark of The Singer Company Ltd. or its affiliates.  
® *Una marca registrada de The Singer Company Ltd. o sus afiliados.*  
® *Une marca déposée de The Singer Company Ltd. ou ses filiales.*

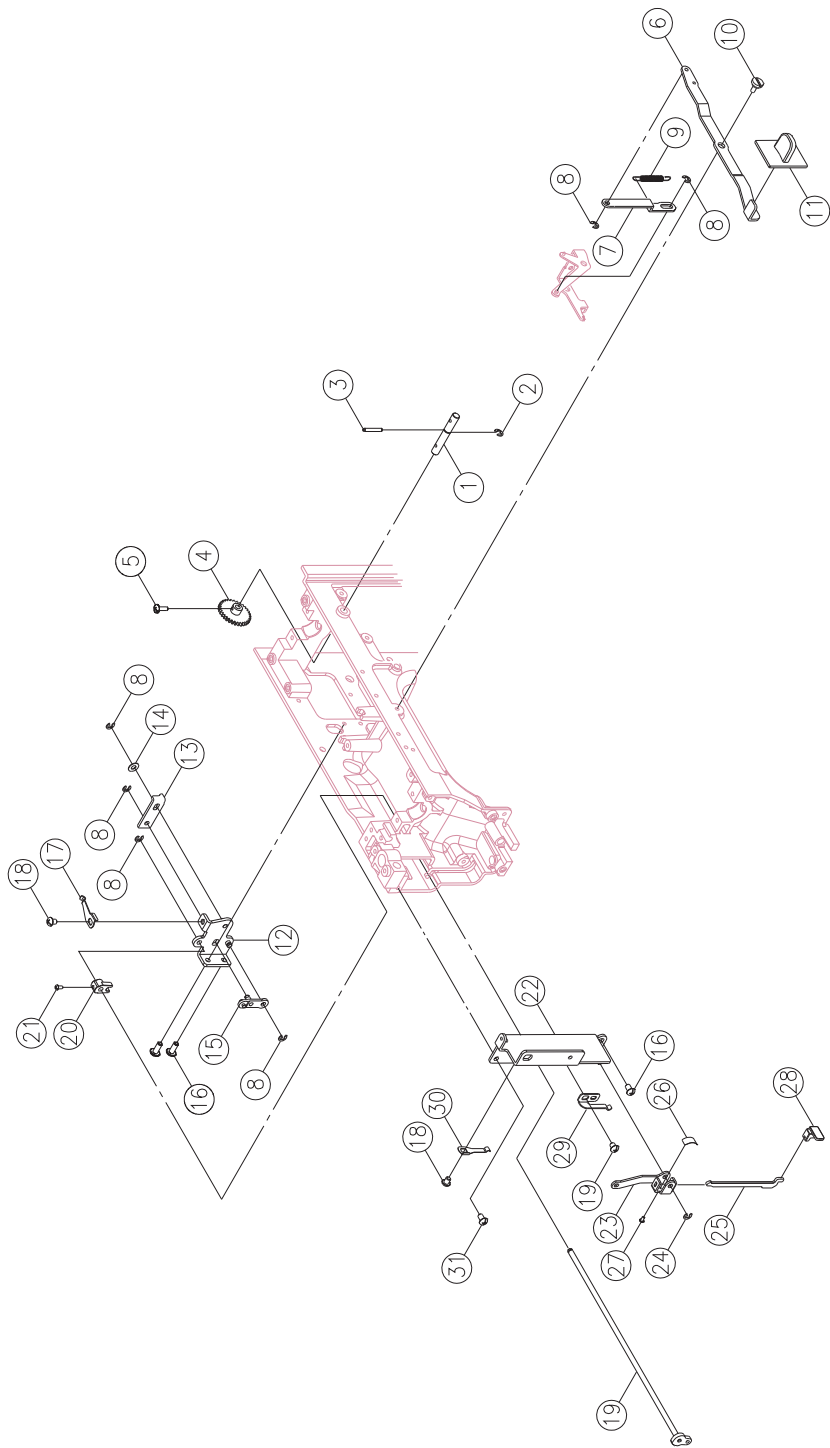
A



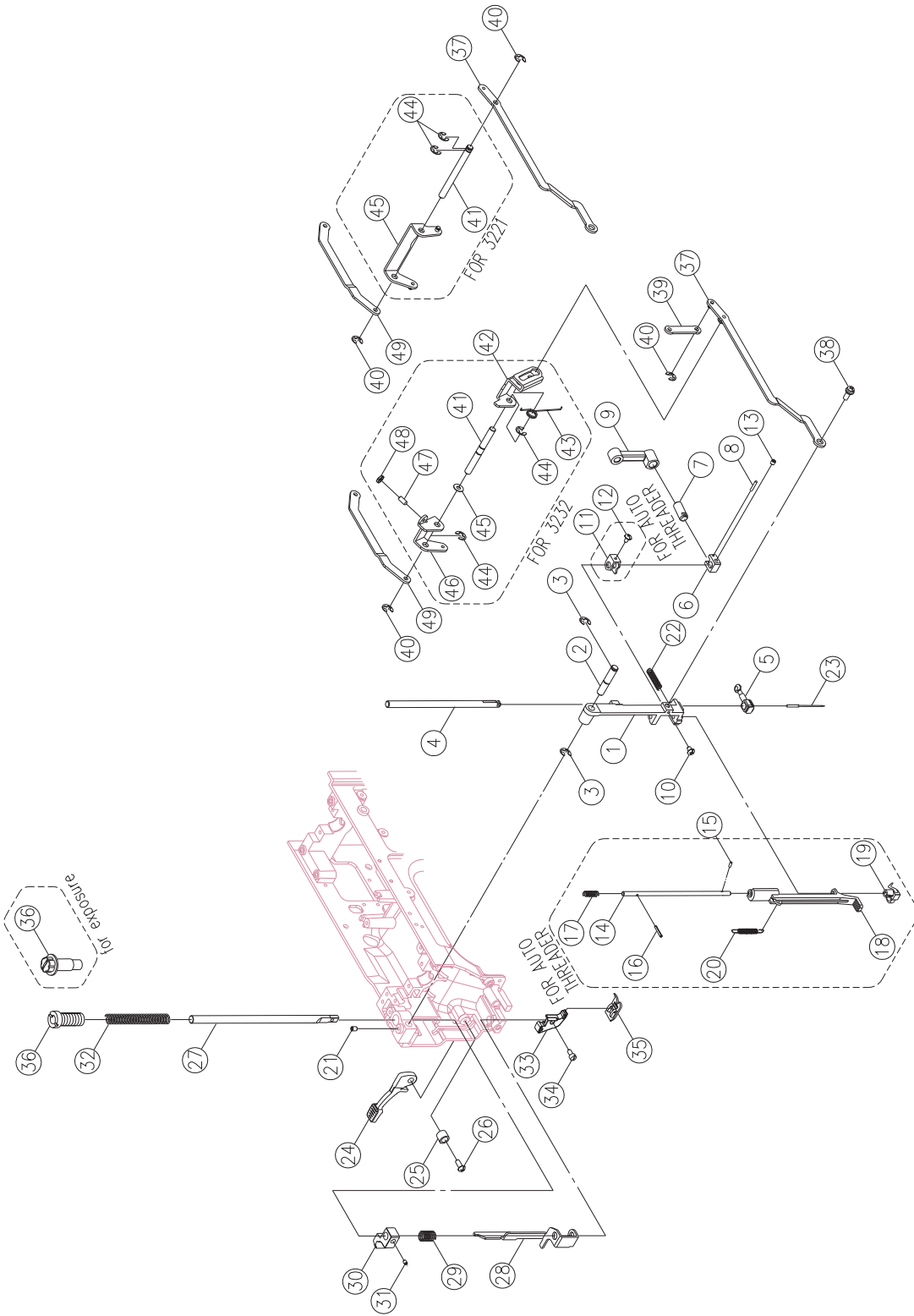
Pos	Part No.	Description
1		ARM SHAFT
2		ARM SHAFT BALANCE
3		SET SCREW(M4×6 C)
4		ARM SHAFT BALANCE PIN ( $\phi$ 3.5×24)
5		ENDURE ATTRITION WASHER (10.2×15×0.5)
6		ARM SHAFT BUSING
7		ARM SHAFT COLLAR
8		SET SCREW(M5×5 C)
9		FEED CAM
10		SET SCREW(M4×4 C)
11		CRANK CONNECTING ROD CAM
12		CRANK CONNECTING ROD
13		CRANK CONNECTING ROD COVER
14		SET SCREW (M4X4 B)
15		WASHER(4.2×7.2×1.2)
16		SET SCREW(11/64×40×12)
17		ARM SHAFT WORM
18		SPRING PIN( $\phi$ 3×28)
19		ARM SHAFT COLLAR
20		ARM SHAFT CLUTCH ANNULUS SPRING
21	68003212	ARM SHAFT DRIVER BELT PULLEY
22	416542901	E-RING (ETW-8)
23		SPRING PIN( $\phi$ 3×30)
24		ARM SHAFT BUSHING HOLDER PLATE
25		SET SCREW(M4×8 A)
26		THREAD TAKE UP LEVER
27		THREAD TAKE UP LEVER SUPPORTER
28		E-RING (ETW-4)
29		THREAD TAKE UP LEVER SUPPORTER SHAFT
30		ARM SHAFT BALANCE PIN
31		ENDURE ATTRITION WASHER (6.2×12×0.25)
32		CARRYING HANDLE PLATE
33	270 007158XXL5	MOTOR DRIVE BELT (158XXL)
34	416495001	HAND WHEEL
#1		FEED CAM COMPLETE
#2		CRANK CONNECTING ROD COMPLETE
#3		ARM SHAFT WORM COMPLETE
#4	416147201	THREAD TAKE UP LEVER COMPLETE



Pos	Part No.	Description
1		PATTERN CAM CONTACT PLATE (FRONT)
2		PATTERN CAM CONTACT PLATE (BACK)
3		PATTERN CAM SHAFT
4		PATTERN CAM SHAFT COLLAR
5		SET SCREW(M4×4C)
6		PATTERN CAM
7		BH FEED REGULATOR CAM
8		BH CLUTCH CONTACT A
9		BH CLUTCH SHAFT
10		BH CLUTCH LEVER
11		BH CLUTCH CONTACT B
12		BH CLUTCH SPRING PLATE
13		BH CAM
14		BH CONTACT
15		BH SLIDE BLOCK R
16		BH CONTACT SPRING PLATE
17		BH SLIDE BLOCK L
18		STRAIGHT STITCH CAM
19		SS CAM
20		WASHER( $\phi$ 8.2× $\phi$ 14×0.5)
21		E-RING (ETW-6)
22		FEED REGULATOR CAM
23		SET SCREW (M4×8 A)
24		ZIGZAG CAM CONTACT SUPPORTER SHAFT
25		ZIGZAG RELEASE PLATE
26		NUT (ALN-4)
27		SET SCREW (M4×0.7 L9)
28		ZIGZAG RELEASE PLATE SPRING
29		ZIGZAG CAM CONTACT SUPPORTER
30		WASHER( $\phi$ 6.7× $\phi$ 12×T0.5)
31		BH FEED CRANK
32		E-RING (ETW-5)
33		SPRING PEDESTAL
34		ZIGZAG CAM CONTACT SPRING
35		ZIGZAG CAM CONTACT
36		BH ADJUSTING CRANK
37		SET SCREW (M4×0.7 L12)
38		SS CAM CONTACT SUPPORTER
39		SS CAM CONTACT
40		SS CAM CONTACT SPRING
41		FEED ROCK SHAFT
42		E-RING (ETW-3)
43		BH FEED CRANK SPRING
44		SET SCREW(M3×8 B)
45		PATTERN SELECTOR CAM SHAFT
46		PATTERN SELECTOR CAM- 3221
46		PATTERN SELECTOR CAM-3232
47		WASHER ( $\phi$ 4.2× $\phi$ 9×0.5 )
48		SET SCREW (M4×10)
49		SPRING PIN (Ø2.5×16)
50		FEED CRANK SHAFT
51		FEED ADJUSTING CRANK
52		WASHER( $\phi$ 6.7× $\phi$ 14×0.8)
53		CRANK SHAFT
54		SET SCREW (M4×10B)
55		E-RING (ETW-4)
56		TENSION LEVER LIFTER SPRING
57		FEED REGULATOR FIX PLATE
58		SET SCREW (M4×4B)
59		PATTERN FIX SPRING PLATE
60		SET SCREW (M4×5B)
61		SPRING PIN (Ø2.5×10) -3221



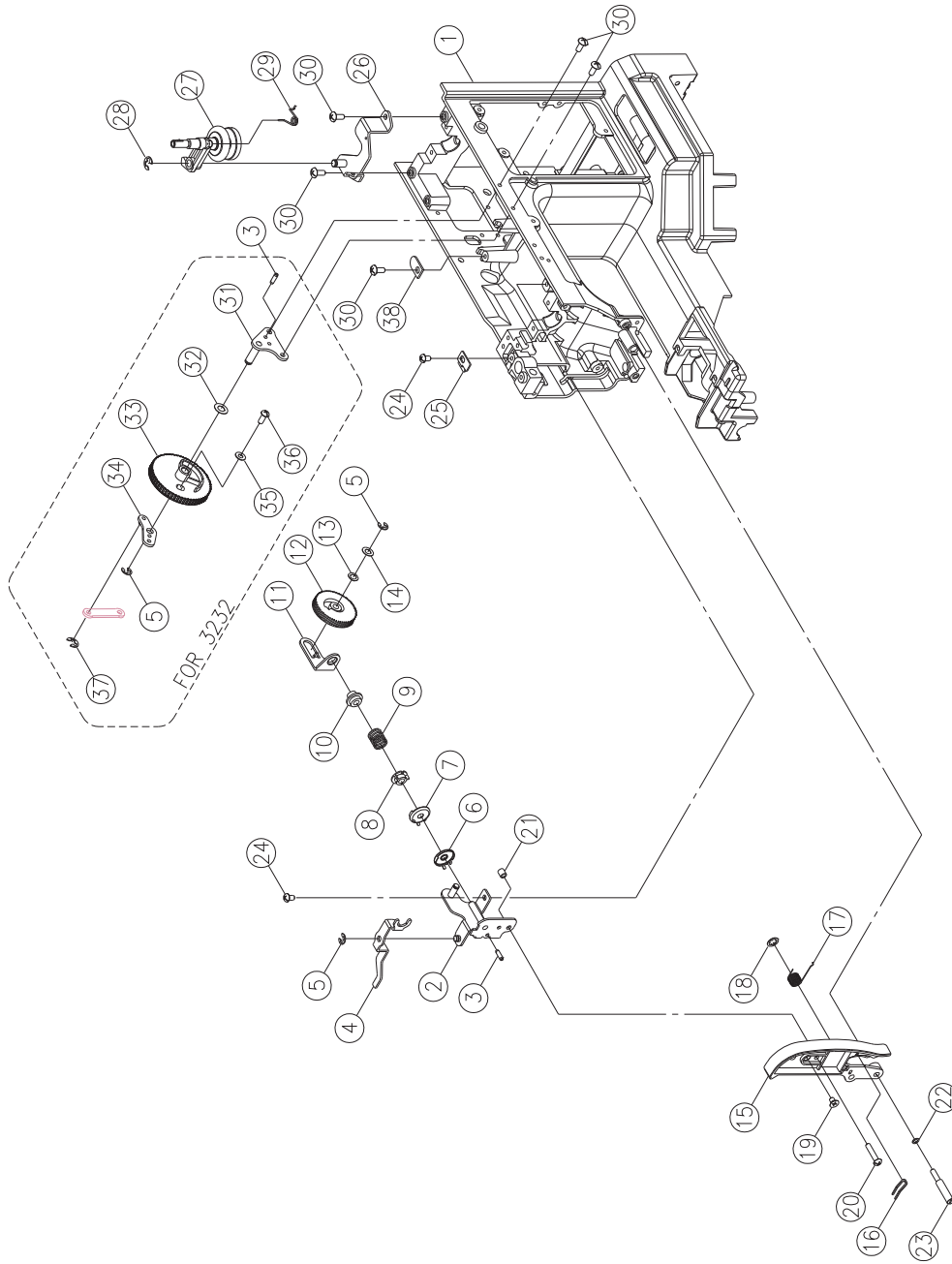
Pos	Part No.	Description
1		FEED REGULATOR DIAL SHAFT
2		E-RING (ETW-5)
3		SPRING PIN (Ø2.5×16)
4		FEED REGULATOR GEAR
5		SET SCREW (M3×8 A)
6		REVERSE LEVER
7		REVERSE ROD
8		E-RING (ETW-3)
9		AUTO THREADED LEVER SPRING
10		SET SCREW (M4×6)
11		REVERSE BUTTON
12		BH SELECTOR PLATE
13		BH SLIDE PLATE
14		WASHER(4.2×9×0.5)
15		BH SELECTOR PLATE
16		SET SCREW(M4×8 A)
17		BH CAM PLATE
18		SET SCREW (M4×5 B)
19		BH MOVEMENT CRANK COMPLETE
20		BH SELECT CRANK
21		SET SCREW (M3×5 B)
22		BH LEVER PLATE COMPLETE
23		BH LEVER CRANK
24		E-RING (ETW-3)
25		BH LEVER
26		BH LEVER SPRING PLATE
27		SET SCREW (M2×4 B)
28		BH LEVER BUTTON
29		BH POSITIONED PLATE
30		BH POSITIONED PLATE
31		SET SCREW(M4×6 B)



TAKE CARE THE CIRCLED PARTS FOR THE MODEL YOU WANT.

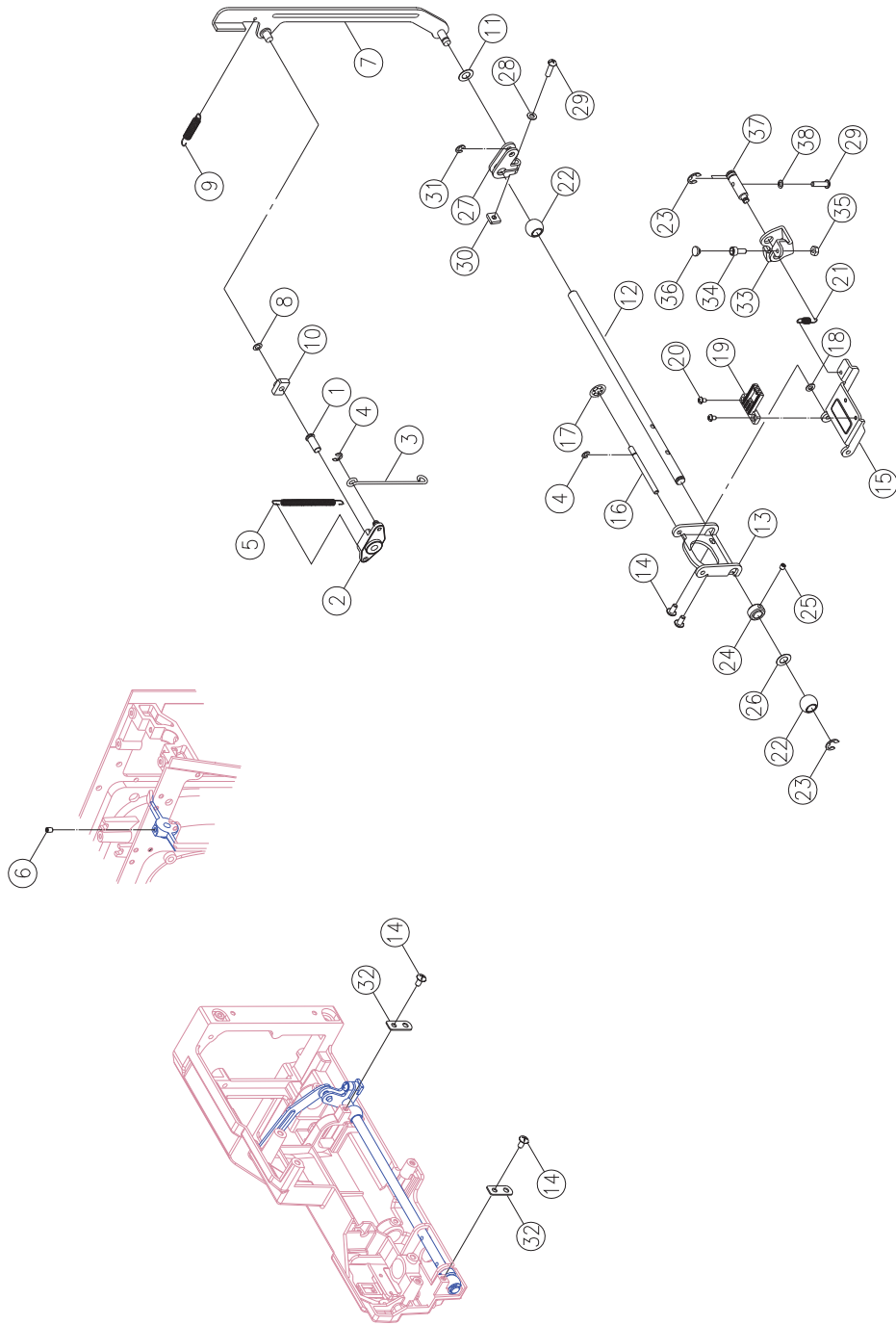


Pos	Part No.	Description	
1		NEEDLE BAR SUPPORTER	
2		NEEDLE BAR SUPPORTER PIN	
3		E-RING (ETW-5)	
4		NEEDLE BAR	
5	416245301	NEEDLE CLAMP COMPLETE	
6		NEEDLE BAR BRACKET (1)	
7		NEEDLE BAR BRACKET (2)	
8		PIN ( $\phi$ 2×12)	
9		NEEDLE BAR CRANK ROD	
10		SET SCREW(9/64×40×6)	
11		SET SCREW (M4×4 C)	
12		AUTO THREADER STOPPER	
13		SET SCREW (M3×6 A)	
14		AUTO THREADER SHAFT	
15		SPRING PIN ( $\phi$ 2×6)	
16		SPRING PIN ( $\phi$ 2×14)	
17		AUTO THREADER SHAFT SPRING	
18		AUTO THREADER LERER	
19	416145801	AUTO THREADER	
20		AUTO THREADER LERER SPRING	
21		SET SCREW (M4×5 C)	
22		NEEDLE BAR SUPPORTER SPRING	
23		NEEDLE	
24	416466901	PRESSER BAR LIFTER LEVER	
25		PRESSER BAR LIFTER LEVER SCREW WASHER	
26		SET SCREW (M4×10 B)	
27		PRESSER BAR	
28		TENSION LEVER LIFTER	
29		TENSION LEVER LIFTER SPRING	
30		PRESSER BAR BRACKET	
31		SET SCREW(M6×5 C)	
32		PRESSER BAR SPRING	
33	416495501	SHANK COMPLETE	
34	416118401	SHANK SCREW (9/64×40×8)	
35	416128401	All purpose foot(J)	
36		PRESSER BAR REGULATING SCREW	FOR NON-EXPOSURE
36		PRESSER BAR REGULATING SCREW	FOR EXPOSURE
37		NEEDLE BAR DRIVING ROD	FOR 3221
37		NEEDLE BAR DRIVING ROD COMPLETE	FOR 3232
38		NEEDLE BAR DRIVING ROD PIN	
39		ZIGZAG WIDTH CRANK ROD	FOR 3232
40		E-RING (ETW-3)	FOR 3232
41		ZIGZAG CONTACT SUPPORTER SHAFT	FOR 3221
41		ZIGZAG CONTACT SUPPORTER SHAFT	FOR 3232
42		ZIGZAG WIDTH REGULATING CAM BOX	FOR 3232
43		ZIGZAG WIDTH SPRING	FOR 3232
44		E-RING (ETW-5)	
45		WASHER( $\phi$ 14× $\phi$ 6.2×3)	FOR 3232
46		ZIGZAG REGULATOR CRANK	FOR 3232
46		ZIGZAG REGULATOR CRANK	FOR 3232
47		SET SCREW (M4×9)	FOR 3232
48		NUT (M4×0.7)	FOR 3232
49		ROD	



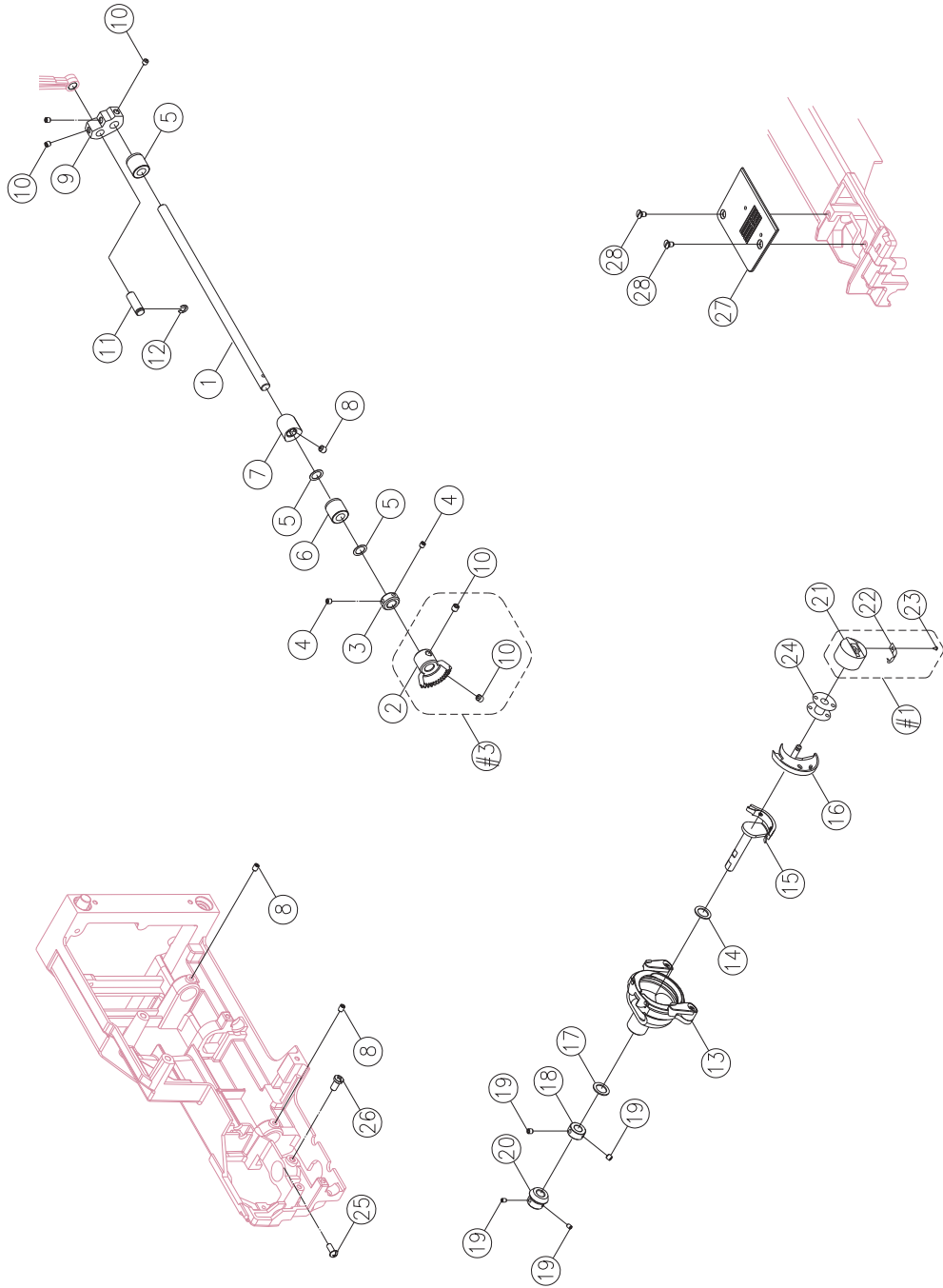
TAKE CARE THE CIRCLED PARTS FOR THE MODEL YOU WANT.

Pos	Part No.	Description
1		ARM
2		DIAL TENSION SUPPORTER PLATE
3		SPRING PIN ( $\phi$ 3×10)
4		DIAL TENSION WAFT PLATE
5		E-RING (ETW-4)
6	416153601	DIAL TENSION DISC (1)
7	416146301	DIAL TENSION DISC
8		DIAL TENSION SPRING REGULATOR
9		DIAL TENSION SPRING
10	416153801	DIAL TENSION REGULATOR
11		DIAL TENSION SPRING PLATE
12		DIAL TENSION KNOB
13		WASHER (WW-5)
14		WASHER ( $\phi$ 5.2× $\phi$ 10×0.5)
15		DIAL TENSION SUPPORTER PLATE COVER
16	416198701	THREAD GUIDE
17	416162601	DIAL TENSION SPRING
18		CS-RING (CSTW-5)
19		SET SCREW (M4×6 D)
20		SET SCREW (M4×15 B)
21		DIAL TENSION GUIDE SPRING TUBE
22		WASHER ( $\phi$ 4.2× $\phi$ 8×0.8)
23		SET SCREW (M4×0.7 L42)
24		SET SCREW(M4×6 B)
25		TENSION LEVER REGULATING PLATE
26		BOBBIN WINDER FRAME PLATE COMPLETE
27	416700601	BOBBIN WINDER CRANK COMPLETE
28		E-RING (ETW-5)
29	270 K6A0573003	BOBBIN WINDER CRANK SPRING
30		SET SCREW(M4×8 A)
31		ZIGZAG WIDTH DIAL PLATE FOR 3232
32		WASHER FOR 3232
33		ZIGZAG WIDTH DIAL FOR 3232
34		ZIGZAG WIDTH CRANK FOR 3232
35		WASHER (4.2×10×0.5) FOR 3232
36		SET SCREW (M4×10 B) FOR 3232
37		E-RING (ETW-3) FOR 3232
38		CARRYING HANDLE PLATE



Pos	Part No.	Description
1		FEED REGULATING SHAFT
2		FEED REGULATING
3		FEED ROD
4		E-RING (ETW-4)
5		FEED REGULATING SPRING
6		SET SCREW (M4×6 C)
7		FORK ROD
8		ENDURE ATTRITION WASHER (5.7×10.2×0.5)
9		FORK ROD SPRING
10		FEED REGULATING BLOCK
11		ENDURE ATTRITION WASHER (5.5×12×0.25)
12		FEED ROCK SHAFT
13		FEET ROCK FRAME
14		SET SCREW (M4×8 A)
15		FEED DOG FRAME
16		FEED DOG FRAME SHAFT
17		E-RING (ETW-3)
18		NUT (SPN-4)
19	416171601	FEET DOG
20		SET SCREW (M3×5 B)
21		FEED DOG FRAME SPRING
22		FEED ROCK BUSHING
23		E-RING (ETW-6)
24		PATTERN CAM SHAFT COLLAR
25		SET SCREW (M4×4 C)
26		ENDURE ATTRITION WASHER (8.2×12×0.25)
27		FEED ROCK CRANK
28		WASHER (4×8×0.5)
29		SET SCREW (M4×15 B)
30		FEED ROCK CRANK NUT (M4)
31		E-RING (ETW-4)
32		BUSHING HOLDER PLATE
33		FEED LIFTING ROCK CRANK
34		SEW SCREW
35		NUT (M4 t=3)
36		SEW SCREW KNOB
37		FEED LIFTING ROCK SHAFT
38		WASHER (4.2×7.2×1.2)
39		WASHER (4.2×8×0.8)

# G

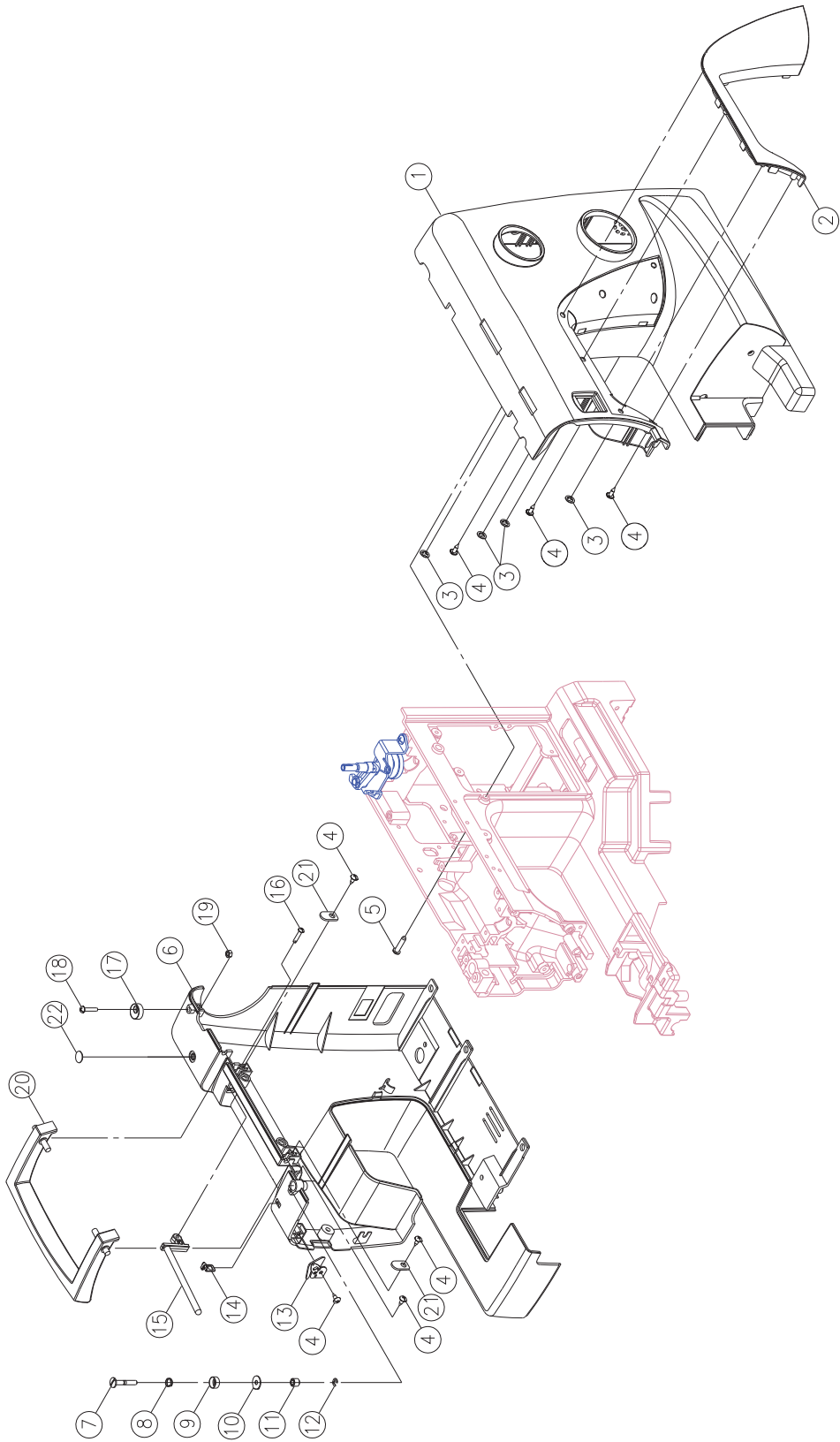


Pos	Part No.	Description
1		LOWER SHAFT
2		LOWER SHAFT GEAR
3		LOWER SHAFT COLLAR
4		SET SCREW (M4X4C)
5		ENDURE ATTRITION WASHER (8.2X12X0.25)
6		FEED ROCK BUSHING
7		FEED LIFTING ROCK CAM
8		SET SCREW (M4X6C)
9		CRANK CONNECTING ROD CRANK
10		SET SCREW (M5X5C)
11		CRANK CONNECTING ROD CRANK PIN
12		E-RING (ETW-5)
13	68000176	OPEN SHUTTLE RACE COMPLETE
14		ENDURE ATTRITION WASHER (7.6×12×0.13)
15		SHUTTLE DRIVER COMPLETE
16	416392101	SHUTTLE HOOK (4.6MM)
17		ENDURE ATTRITION WASHER (8.2×16×0.5)
18		SHUTTLE DRIVER SHAFT COLLAR
19		SET SCREW(11/64×40×4)
20		SHUTTLE DRIVER SHAFT GEAR
21		BOBBIN CASE
22		BOBBIN CASE SPRING
23		BOBBIN CASE SPRING SET SCREW
24	68000175	BOBBIN
25		SET SCREW (M4X10B)
26		SET SCREW (M5X10B)
27	416171501	NEEDLE PLATE
28	416122901	NEEDLE PLATE COMPLETE SET SCREW
#1	416153401	BOBBIN CASE COMPLETE
#2	416245801	LOWER SHAFT GEAR COMPLETE

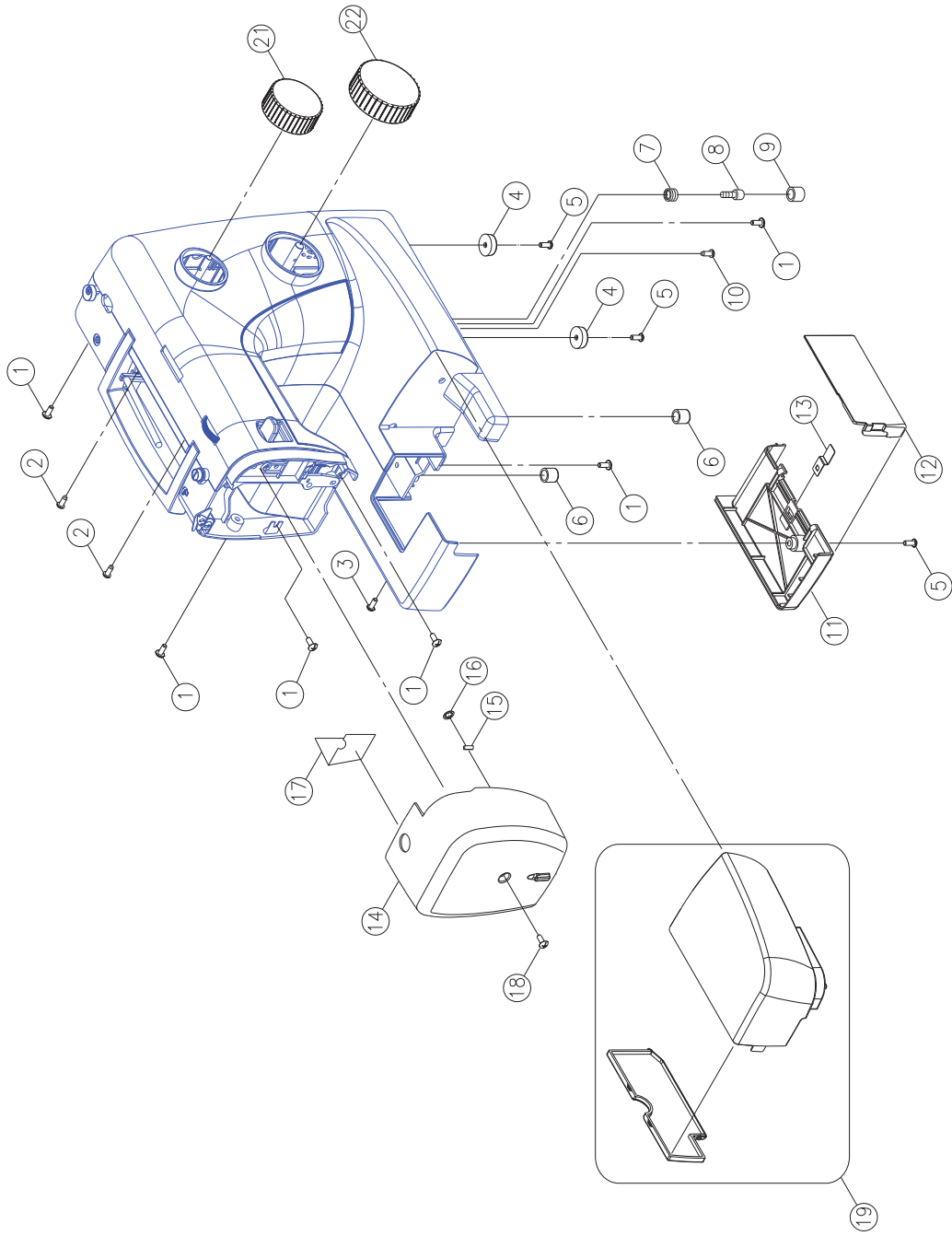




Pos	Part No.	Description	
1	416732501	LED HOLDER COMPLETE	FOR 120V
	416732601	LED HOLDER COMPLETE	FOR 220V~240V
2		CORD CLIP	
3		END TERMED	
4		CONDENSER	FOR 220V~240V
5		MOTOR	FOR 110V / TAIWAN
6	416528001	MOTOR	FOR 120V / US
		MOTOR	FOR 220V / BRAZIL
	270 001V881001	MOTOR	FOR 220V / KOREA
		MOTOR	FOR 230V / E.U.R
		MOTOR	FOR 230V / DUBAI
	270 001V881008	MOTOR	FOR 230V / SAUDI ARABIA
	416528301	MOTOR	FOR 240V / U.K
	270 001V881005	MOTOR	FOR 240V / SAA
7		CUSHION RUBBER	
8		BELT WHEEL	
9		MOTOR FEED REGULATOR COLLAR	
10		E-RING (ETW-3)	
11		MOTOR BRACKET	
12		NUT (M4 T=5.5)	FOR 100~120V
13		SET SCREW (M4×10.2)	FOR 220~240V
14		WASHER (5.4×10×0.9)	
15		SPRING WASHER (5.2×9×1)	
16		SET SCREW (M5×12)	
17		RECEPTACLE HOLDER	
18		WASHER	
19		RECEPTACLE	
20		NUT (M3×4)	
21		CONCERT INSULATION PLATE	FOR 220~240V
22		SET SCREW (M3×20 B)	
23		NUT (M3 T=2.3)	
24		RECEPTACLE HOLDER COVER	
25		SET SCREW (M3×8 B)	
26		SET SCREW (M4×15B)	
27		FOOT CONTROLLER	FOR 110V / BRAZIL
28	416183301	FOOT CONTROLLER	FOR 120V / US
		FOOT CONTROLLER	FOR 220V / BRAZIL
		FOOT CONTROLLER	FOR 220V / SAUDI ARABIA
	270 002V881004	FOOT CONTROLLER	FOR 220V / KOREA
	68001147	FOOT CONTROLLER	FOR 230V / E.U.R
		FOOT CONTROLLER	FOR 230V / SAUDI ARABIA
		FOOT CONTROLLER	FOR 230V / DUBAI
		FOOT CONTROLLER	FOR 230V / ARGENTINA
	416112701	FOOT CONTROLLER	FOR 240V / U.K
	416183701	FOOT CONTROLLER	FOR 240V / SAA
29		WASHER	

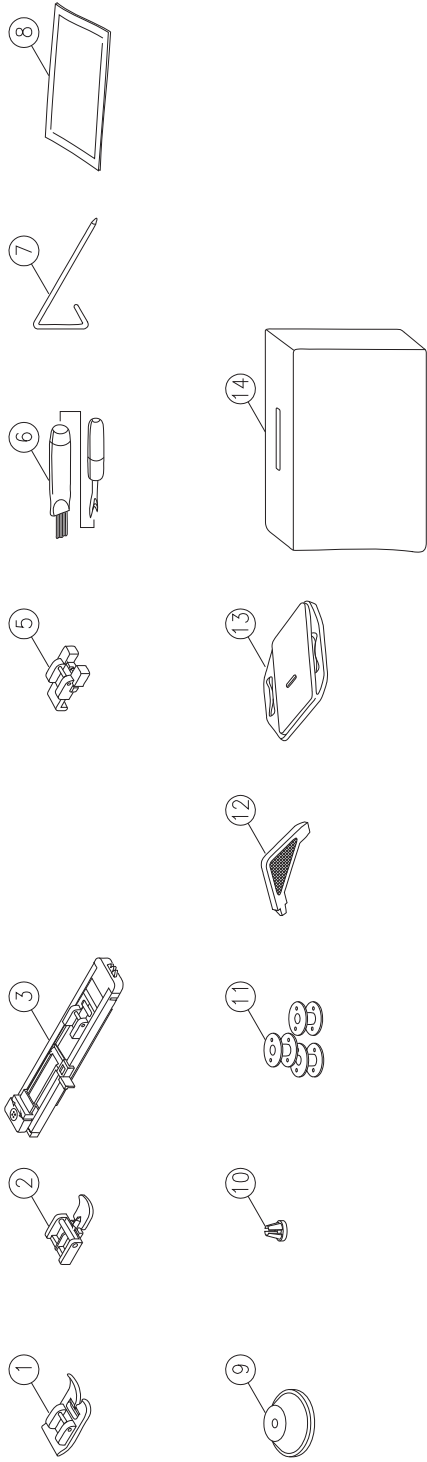


Pos	Part No.	Description	
1		FRONT COVER	FOR 3221
1		FRONT COVER	FOR 3232
2		FRONT DECORATED PLATE	FOR 3221
2		FRONT DECORATED PLATE	FOR 3232
3		CS-RING (CSTW-4)	
4		SET SCREW (M3×8.5)	
5		SET SCREW (M4×15 B)	
6		BACK COVER	
7	416148101	BOBBIN WINDER THREAD GUIDE CPL	
8		BOBBIN WINDER THREAD GUIDE SPRING	
9		BOBBIN WINDER SPRING DISC	
10		BOBBIN WINDER THREAD GUIDE	
11		SPACER	
12		RING (ETW-3)	
13	416641101	THREAD GUIDE COMPLETE	
14	416145501	THREAD GUIDE	
15	68004413	SPOOL PIN BASE	
16		SET SCREW (M4×35 B)	
17	416554101	BOBBIN WINDER	
18		SET SCREW (9/64×40×16)	
19		NUT (9/64×40 t=3)	
20		HANDLE	
21		SET WASHER	
22		PLATE STICKER	

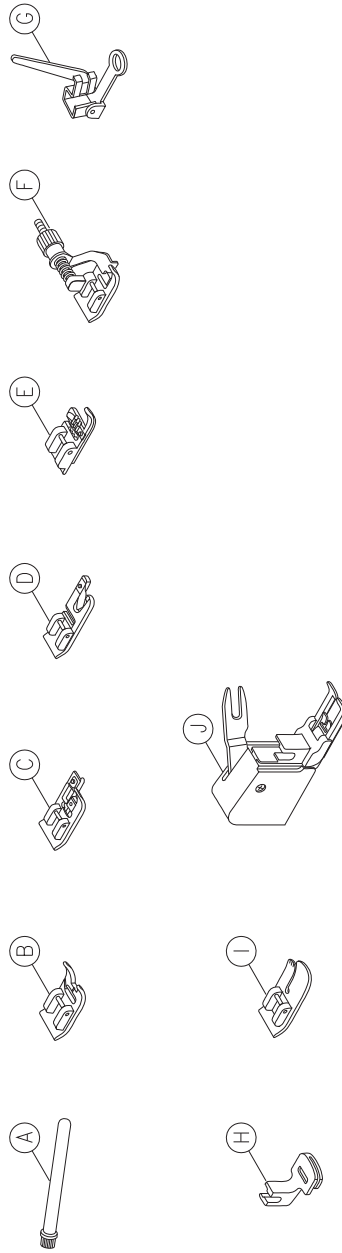


Pos	Part No.	Description	
1	416121501	SET SCREW (M4X8 A)	
2	416122201	SET SCREW (M4 X 10 B)	
3	416121601	SET SCREW (M4×12 B)	
4	270 J3141300	FREE ARM BASE CUSHION RUBBER	
5	416121101	SET SCREW (M4 X 10 B)	
6	416496401	FREE ARM BASE CUSHION RUBBER	
7	416154601	BASE PLATE ADJUSTMENT SCREW	
8	416154401	BASE PLATE ADJUSTMENT SCREW SPRING	
9	270 K6A006300	FREE ARM BASE CUSHION	
10	270 004240166	SET SCREW (M4X8 A)	
11	416496501	BED COVER	
12	416496601	HOOK COVER	
13	416421301	HOOK COVER SPRING	
14	416496701	FACE PLATE(WITHOUT HOLE FOR REGULATING)	
14		FACE PLATE(HOLE FOR REGULATING)	
15	416172501	CUTTER	
16	416116701	CS-RING (CSTW-5)	
17	416497701	HEAT RESISTANT PLATE	
18	416185401	SET SCREW (M4X10 A)	
19	416809501	SEWING TABLE COMP	
21	416497001	STITCH LENGTH DIAL	FOR 3221
21	416497101	STITCH LENGTH DIAL	FOR 3232
22	416497201	PATTERN DIAL	FOR 3221
22	416497301	PATTERN DIAL	FOR 3232

# STANDARD ACCESSORIES



# OPTIONAL ACCESSORIES



Pos	Part No.	Description
1	416128401	ALL PURPOSE FOOT (J)
2	416128701	ZIPPER FOOT (I)
3	68003698	BUTTONHOLE FOOT (B) FOR 3221.3232
4		
5	416284501	BUTTON SEWING FOOT (H)
6	416127701	SEAM RIPPER / BRUSH
7	416497401	EDGE / QUILTING GUIDE
8		PACK OF NEEDLES
9	416157601	SPOOL HOLDER (LARGE)
10	416500801	SPOOL HOLDER (SMALL)
11	68000175	BOBBIN
12	68000177	L-SCREWDRIVER
13	416127901	DARNING PLATE
14	416796701	SOFT COVER
15	416636701	INSTR MAN, 3232