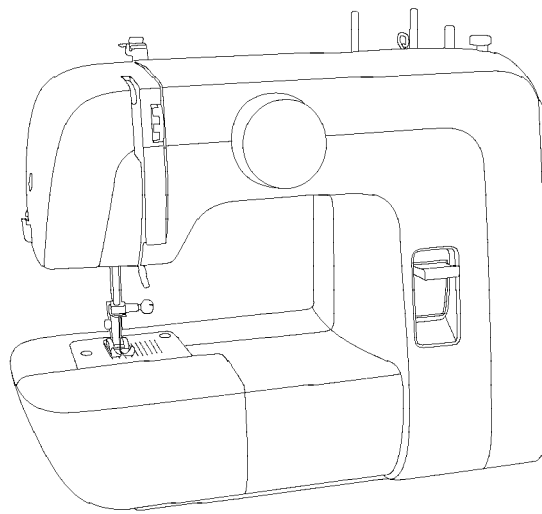




1304

1306

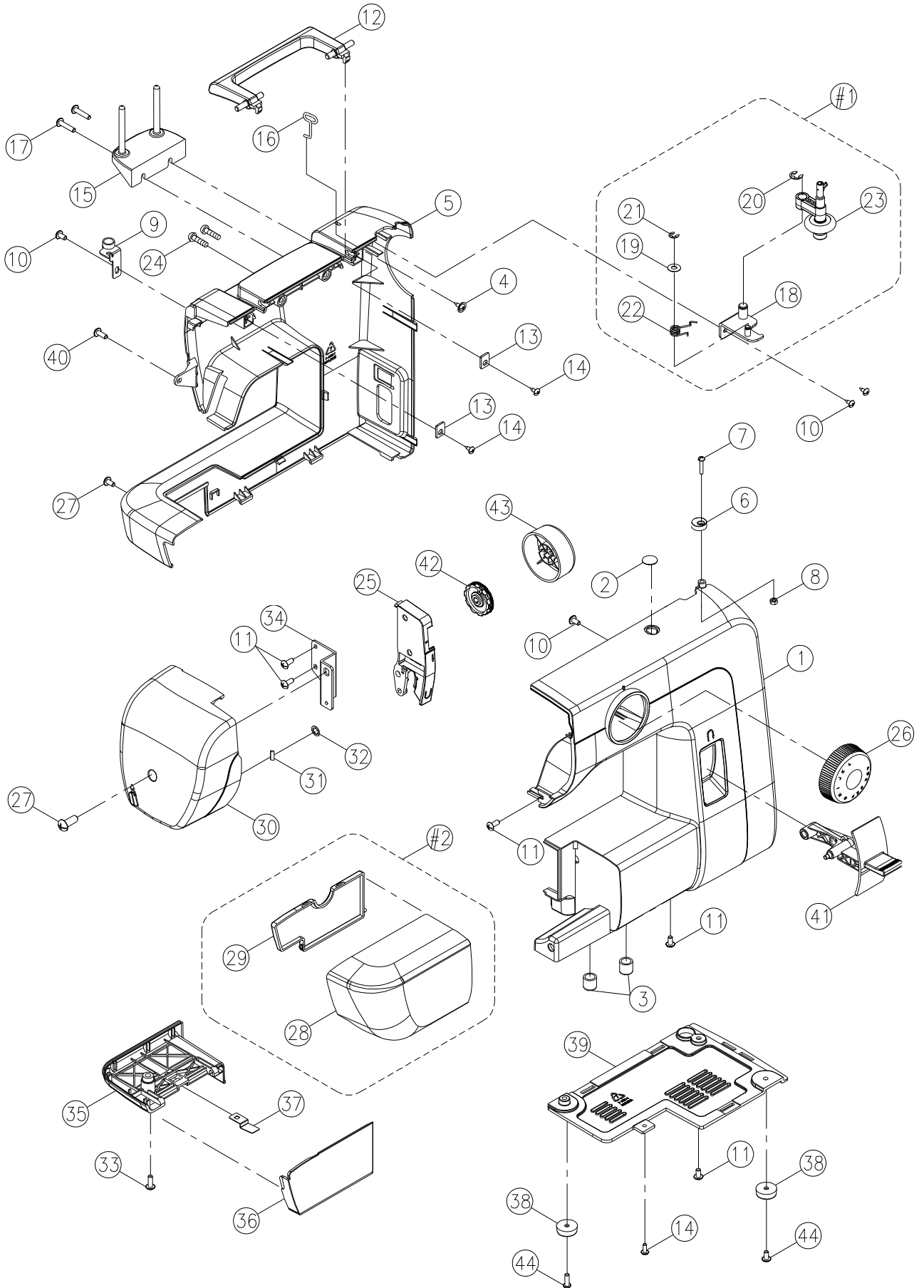
1234



Liste de pièces  
Lista de Piezas  
Parts List

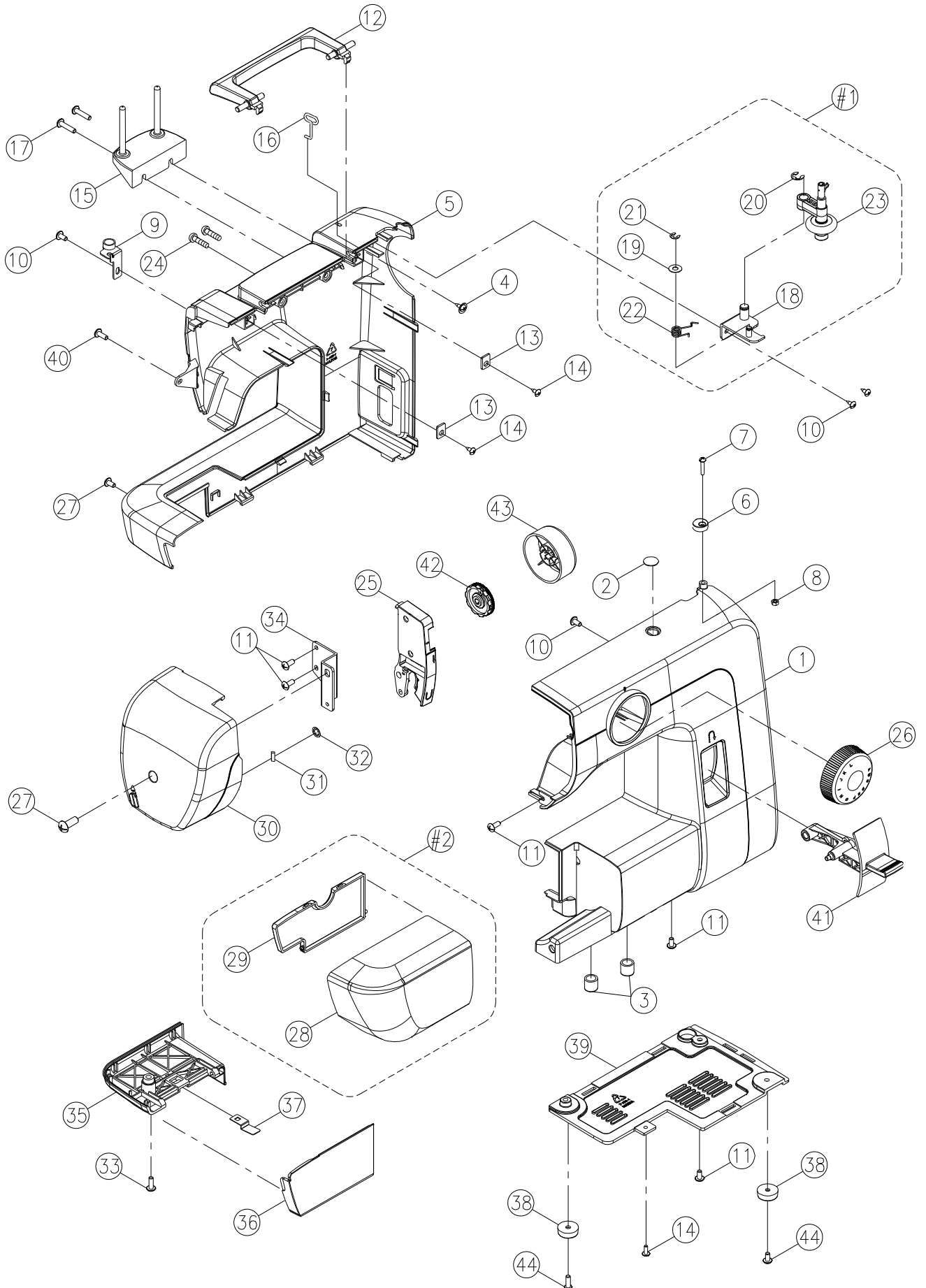
# A

## 1234



No.	Part No.	Description
		<b>1234</b>
#1	68001148	BOBBIN WINDER CPL.
#2	68020746	SEWING TABLE CPL.
1	68020713	FRONT COVER
2	68020716	PLATE (1)
3	68003263	FREE ARM BASE CUSHION RUBBER
4	416718201	SCREW (3x5)
5	68020721	BACK COVER
6	416554101	BOBBIN WINDER STOPPER
7	416174001	SET SCREW (9/64x40x16 B)
8	416126301	NUT (9/64x40 t=3)
9	270 V61325000	BOBBIN WINDER THREAD GUIDE CPL.
10	416122201	SET SCREW (M4x10 B)
11	416121501	SET SCREW (M4x8 A)
12	68020724	HANDLE
13	68001430	SET WASHER
14	416681501	SET SCREW (M3x8.5)
15	68020725	SPOOL PIN PLATE
16	416773101	GUIDE SPRING
17	416123501	SET SCREW (M4x20 A)
18	68001433	BOBBIN WINDER FRAME PLATE CPL.
19	416124301	WASHER (5.4x10x0.9)
20	416116401	E-RING (ETW-6)
21	416116101	E-RING (ETW-4)
22	68001434	BOBBIN WINDER CRANK SPRING
23	68001440	BOBBIN WINDER CRANK CPL.
24	68013156	SET SCREW (M4x10)
25	68020732	TENSION SUPPORTER COVER
26	68020735	PATTERN SELECTOR DIAL
27	416121701	SET SCREW (M4x15 B)
28	SEE #2	SEWING TABLE BODY (Replaced by 68020746)
29	SEE #2	SEWING TABLE COVER (Replaced by 68020746)
30	68020736	FACE PLATE
31	412423701	THREAD CUTTER
32	416116701	CS-RING (CSTW-5)
33	416523301	SET SCREW (M4x12 A)
34	68001162	FACE PLATE SUPPORTER
35	68020737	BED COVER
36	68020738	HOOK COVER
37	416157201	HOOK COVER SPRING
38	416642201	FREE ARM BASE CUSHION RUBBER
39	68020740	BOTTOM PLATE
40	416185401	SET SCREW (M4x10 A)
41	68020742	REVERSE LEVER BUTTON
42	68020744	THREAD TENSION DIAL
43	68020745	HAND WHEEL
44	68001182	SET SCREW (M4x15 A)

# A

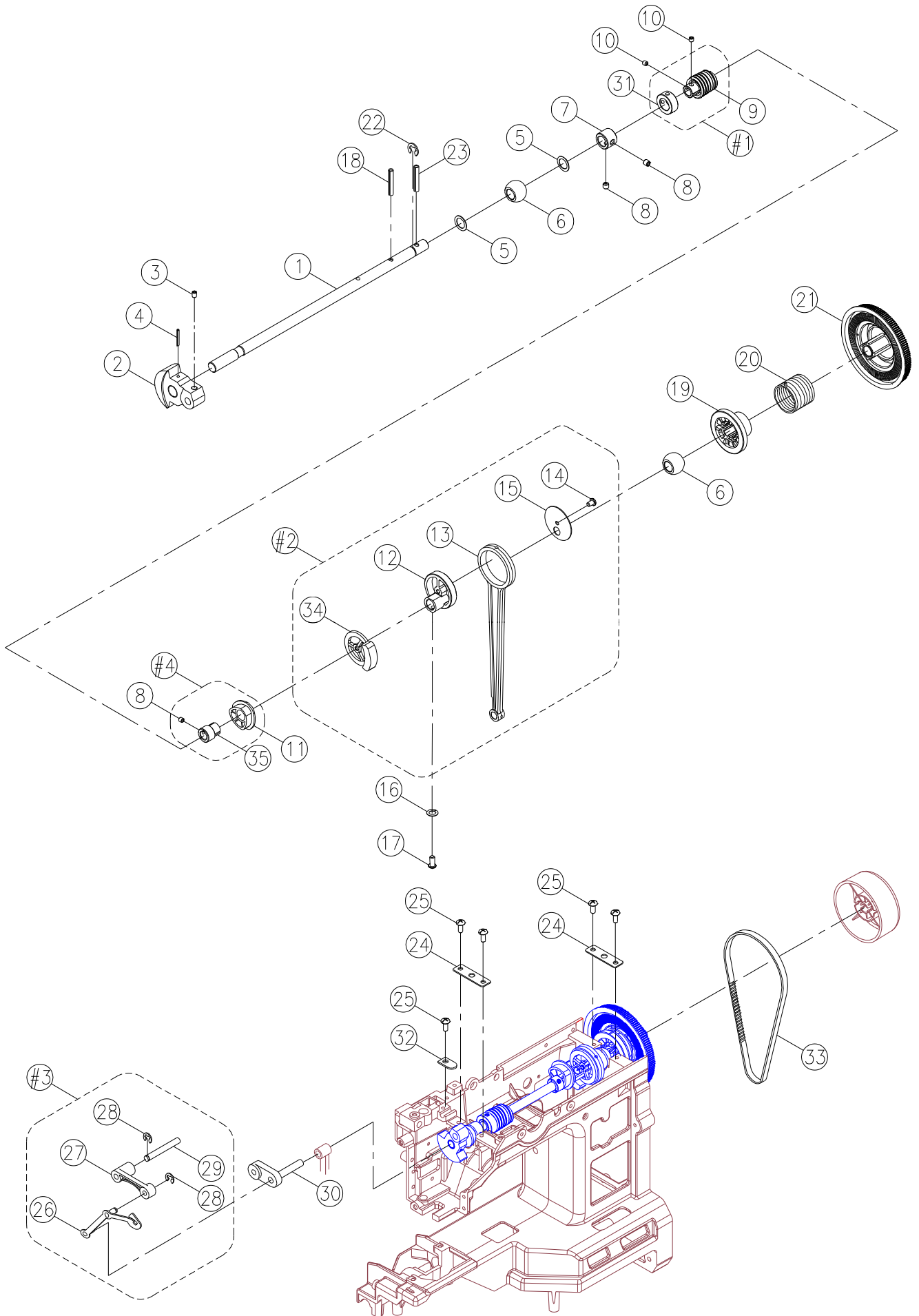


No.	Part No.	Description
		<b>1304</b>
#1	68001148	BOBBIN WINDER CPL.
#2	68000169	SEWING TABLE CPL.
1	68001418	FRONT COVER
2	68001420	PLATE (1)
3	68003263	FREE ARM BASE CUSHION RUBBER
4	416718201	SCREW (3x5)
5	68020748	BACK COVER
6	416554101	BOBBIN WINDER STOPPER
7	416174001	SET SCREW (9/64x40x16 B)
8	416126301	NUT (9/64x40 t=3)
9	270 V61325000	BOBBIN WINDER THREAD GUIDE CPL.
10	416122201	SET SCREW (M4x10 B)
11	416121501	SET SCREW (M4x8 A)
12	68001429	HANDLE
13	68001430	SET WASHER
14	416681501	SET SCREW (M3x8.5)
15	416515001	SPOOL PIN PLATE
16	416773101	GUIDE SPRING
17	416123501	SET SCREW (M4x20 A)
18	68001433	BOBBIN WINDER FRAME PLATE CPL.
19	416124301	WASHER (5.4x10x0.9)
20	416116401	E-RING (ETW-6)
21	416116101	E-RING (ETW-4)
22	68001434	BOBBIN WINDER CRANK SPRING
23	68001440	BOBBIN WINDER CRANK CPL.
24	68013156	SET SCREW (M4x10)
25	68001302	TENSION SUPPORTER COVER
26	68001149	PATTERN SELECTOR DIAL
27	416121701	SET SCREW (M4x15 B)
28	SEE #2	SEWING TABLE BODY (Replaced by 68000169)
29	68001108	SEWING TABLE COVER
30	68000172	FACE PLATE
31	412423701	THREAD CUTTER
32	416116701	CS-RING (CSTW-5)
33	416523301	SET SCREW (M4x12 A)
34	68001162	FACE PLATE SUPPORTER
35	68001112	BED COVER
36	68001114	HOOK COVER
37	416157201	HOOK COVER SPRING
38	416642201	FREE ARM BASE CUSHION RUBBER
39	68001126	BOTTOM PLATE
40	416185401	SET SCREW (M4x10 A)
41	68001139	REVERSE LEVER BUTTON
42	68001299	THREAD TENSION DIAL
43	68001133	HAND WHEEL
44	68001182	SET SCREW (M4x15 A)



No.	Part No.	Description
		<b>1306</b>
#1	68001148	BOBBIN WINDER CPL.
#2	68000170	SEWING TABLE CPL.
1	68001419	FRONT COVER
2	68001420	PLATE (1)
3	68003263	FREE ARM BASE CUSHION RUBBER
4	416718201	SCREW (3x5)
5	68001423	BACK COVER
6	416554101	BOBBIN WINDER STOPPER
7	416174001	SET SCREW (9/64x40x16 B)
8	416126301	NUT (9/64x40 t=3)
9	270 V61325000	BOBBIN WINDER THREAD GUIDE CPL.
10	416122201	SET SCREW (M4x10 B)
11	416121501	SET SCREW (M4x8 A)
12	68001429	HANDLE
13	68001430	SET WASHER
14	416681501	SET SCREW (M3x8.5)
15	416515001	SPOOL PIN PLATE
16	416773101	GUIDE SPRING
17	416123501	SET SCREW (M4x20 A)
18	68001433	BOBBIN WINDER FRAME PLATE CPL.
19	416124301	WASHER (5.4x10x0.9)
20	416116401	E-RING (ETW-6)
21	416116101	E-RING (ETW-4)
22	68001434	BOBBIN WINDER CRANK SPRING
23	68001440	BOBBIN WINDER CRANK CPL.
24	68013156	SET SCREW (M4x10)
25	68001302	TENSION SUPPORTER COVER
26	68001150	PATTERN SELECTOR DIAL
27	416121701	SET SCREW (M4x15 B)
28	SEE #2	SEWING TABLE BODY (Replaced by 68000170)
29	68001108	SEWING TABLE COVER
30	68000172	FACE PLATE
31	412423701	THREAD CUTTER
32	416116701	CS-RING (CSTW-5)
33	416523301	SET SCREW (M4x12 A)
34	68001162	FACE PLATE SUPPORTER
35	68001112	BED COVER
36	68001114	HOOK COVER
37	416157201	HOOK COVER SPRING
38	416642201	FREE ARM BASE CUSHION RUBBER
39	68001126	BOTTOM PLATE
40	416185401	SET SCREW (M4x10 A)
41	68001139	REVERSE LEVER BUTTON
42	68001299	THREAD TENSION DIAL
43	68001133	HAND WHEEL
44	68001182	SET SCREW (M4x15 A)

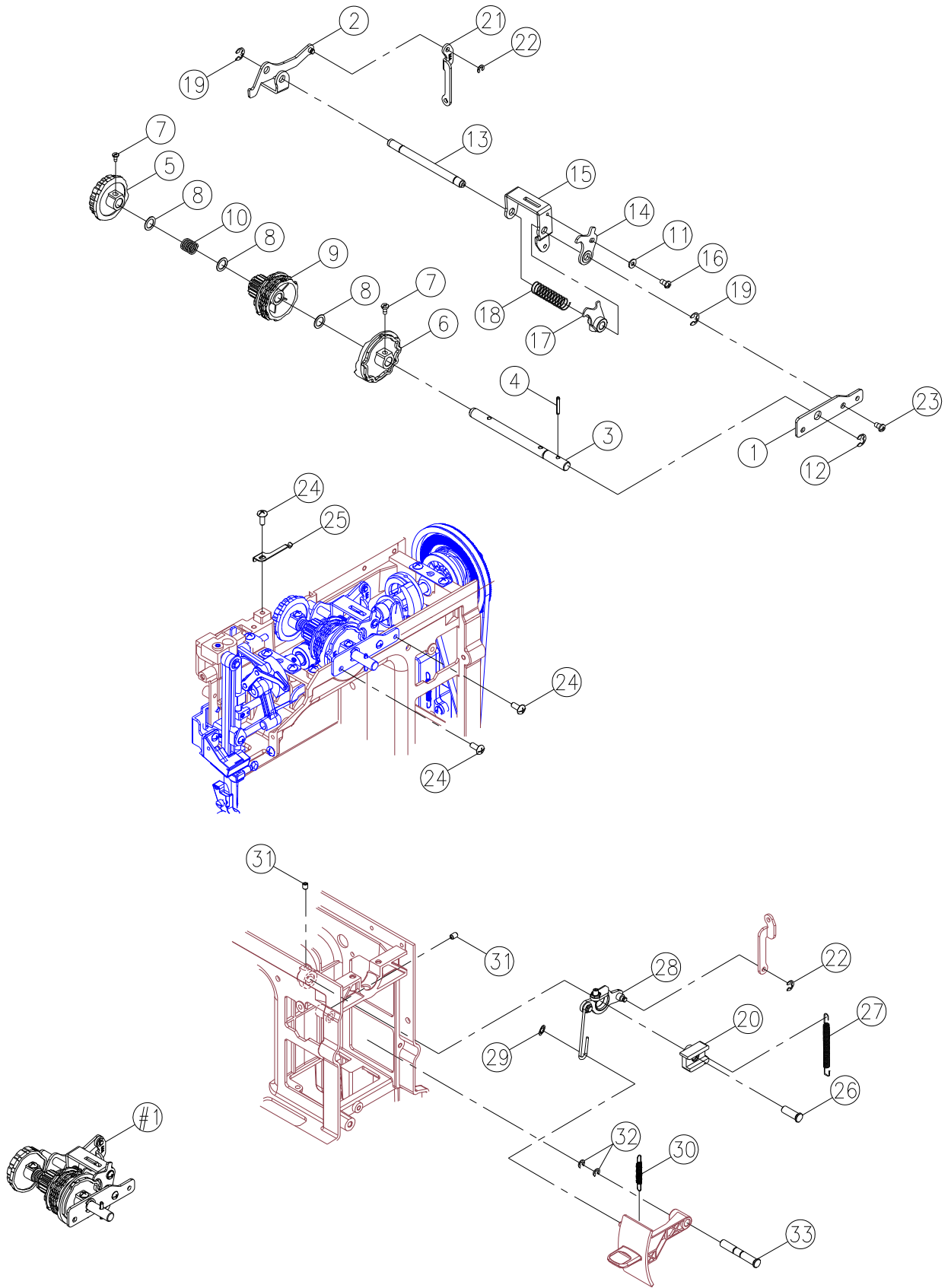
# D





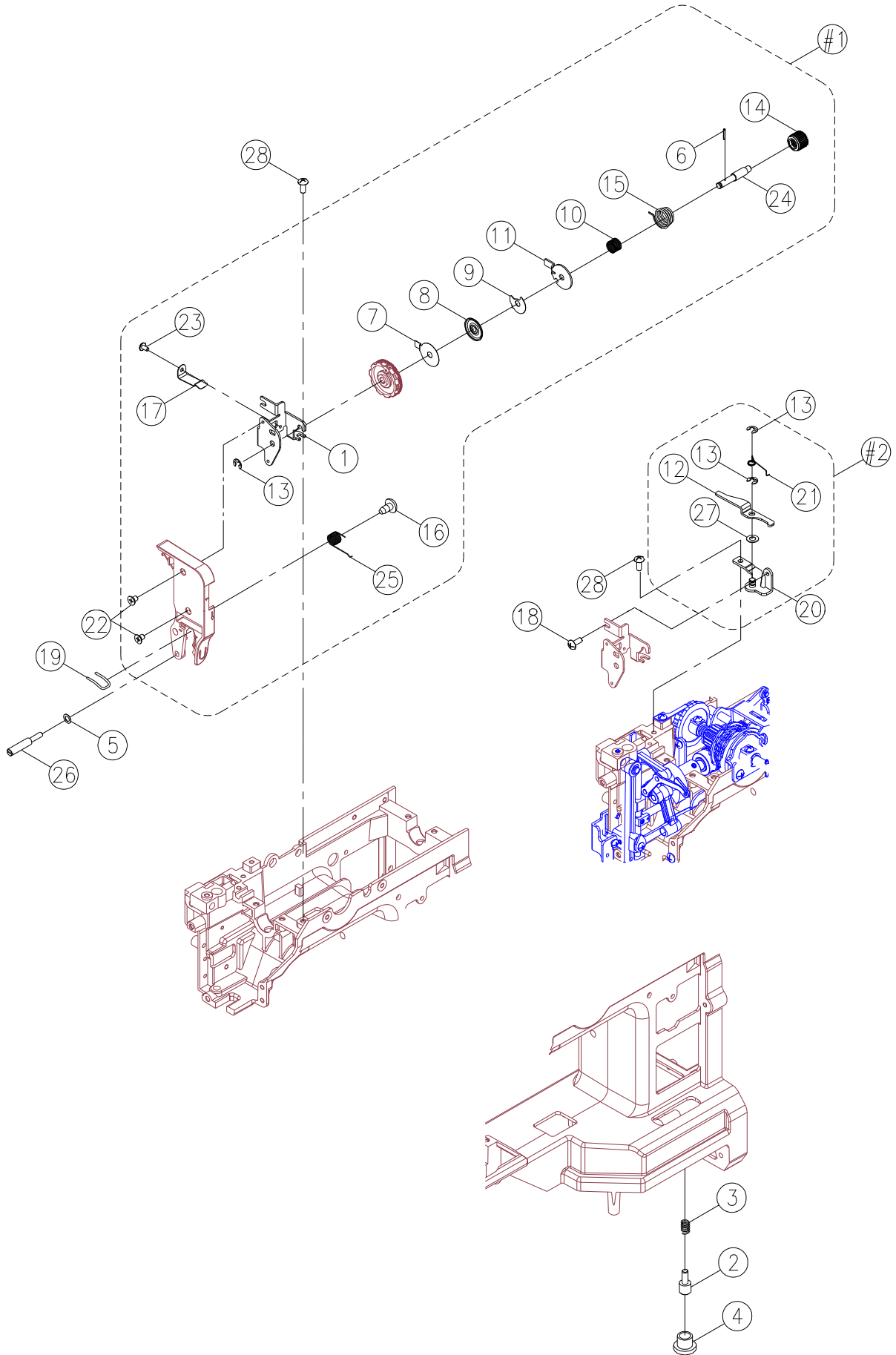
No.	Part No.	Description
#1	68001137	ARM SHAFT WORM CPL.
#2	68001152	CRANK CONNECTING ROD CPL.
#3	68013754	THREAD TAKE UP LEVER CPL.
#4	68013298	FEED CAM BUSHING CPL.
1	68000138	ARM SHAFT
2	68000139	ARM SHAFT BALANCE
3	68000140	SET SCREW (M5x6 C)
4	416117601	SPRING PIN (3x18)
5	416125801	ENDURE ATTRITION WASHER (8.2x12x0.5)
6	68001128	ARM SHAFT BUSHING
7	68000144	ARM SHAFT COLLAR
8	416122401	SET SCREW (M4x4 C)
9	68000146	ARM SHAFT WORM
10	416122101	SET SCREW (M4x6 C)
11	SEE #4	FEED CAM (Replaced by 68013298)
12	68000150	CRANK CONNECTING ROD CAM
13	68000152	CRANK CONNECTING ROD
14	416121601	SET SCREW (M4x12 B)
15	68000154	CRANK CONNECTING ROD COVER
16	416126101	WASHER (4.2x7.2x1.2)
17	416185401	SET SCREW (M4x10 A)
18	416680401	SPRING PIN (3x28)
19	416307201	CLUTCH SLEEVE
20	270 D5A0573003	ARM SHAFT CLUTCH ANNULUS SPRING
21	68000160	ARM SHAFT DRIVER BELT PULLEY
22	416116401	E-RING (ETW-6)
23	416680701	SPRING PIN (3x30)
24	416161701	ARM SHAFT BUSHING HOLDER PLATE
25	416121501	SET SCREW (M4x8 A)
26	SEE #3	THREAD TAKE-UP LEVER CPL. (S) (Replaced by 68013754)
27	SEE #3	THREAD TAKE UP LEVER SUPPORTER (Replaced by 68013754)
28	416116101	E-RING (ETW-4)
29	416162201	THREAD TAKE UP LEVER SUPPORTER SHAFT
30	68018247	ARM SHAFT BALANCE PIN CPL.
31	68001122	LOWER SHAFT GEAR BUSHING
32	416152201	SET WASHER
33	68001130	BELT
34	68001136	SWIVEL INLET GASKET
35	68001124	FEED CAM BUSHING

# E



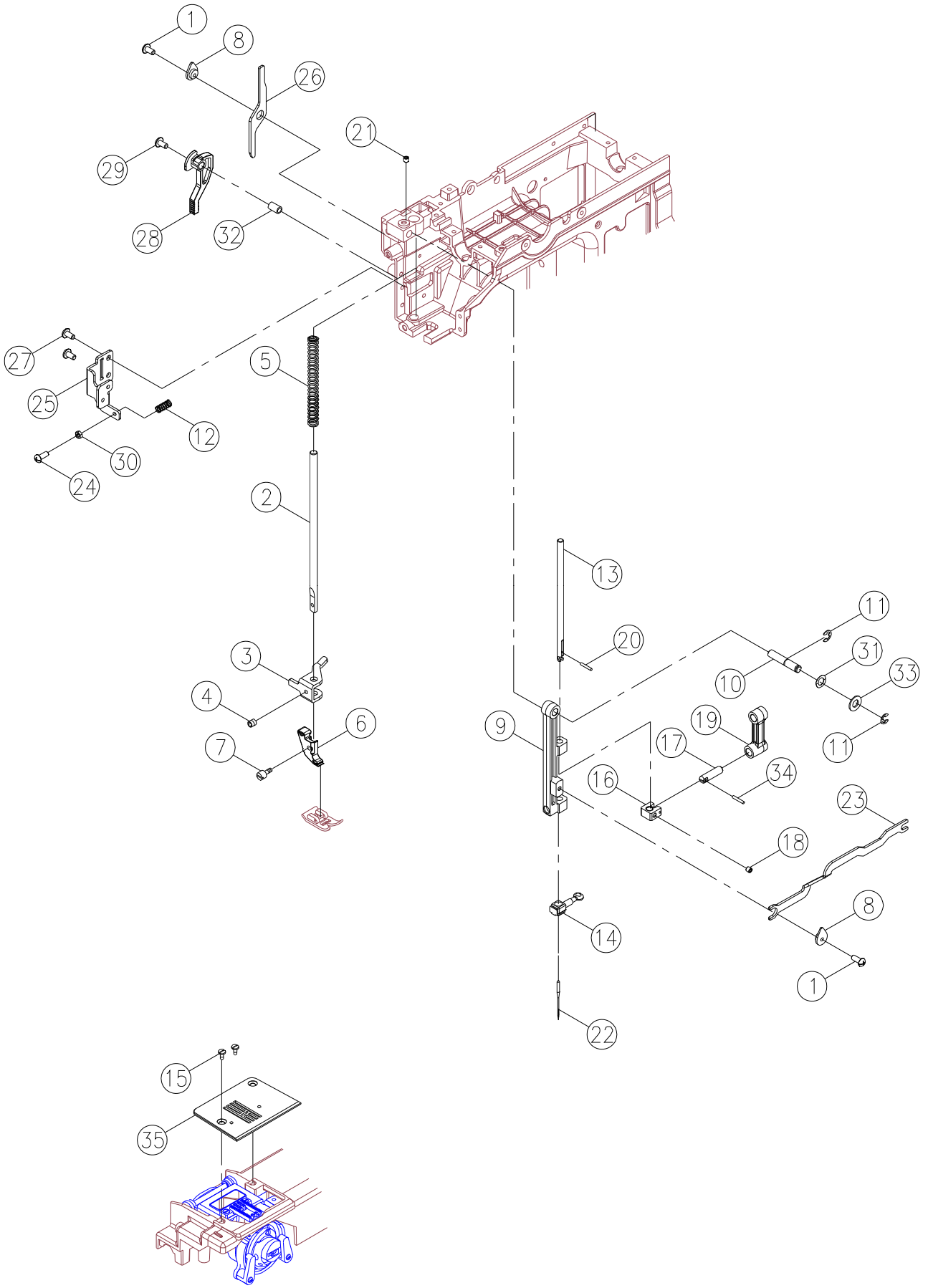
No.	Part No.	Description
#1	68001140	PATTERN CAM CONTACT CPL.
1	68013174	PATTERN CAM CONTACT PLATE (FRONT)
2	68000173	FEED CRANK
3	68001107	PATTERN SELECTOR CAM SHAFT
4	416183901	SPRING PIN (2.5x16)
5	68018249	FEED REGULATOR CAM
6	68018250	PATTERN SELECTOR CAM
7	270 004235016	SET SCREW (M3.5x8 A)
8	416186501	WASHER (8.2x12x0.5)
9	68001205	PATTERN CAM
10	416165501	PATTERN CAM SPRING
11	416186101	WASHER (3.2x8x0.8)
12	416116401	E-RING (ETW-6)
13	68001210	CONTACT SUPPORTER SHAFT
14	416517401	ZIGZAG RELEASE PLATE
15	68001213	ZIGZAG CAM CONTACT SUPPORTER CPL.
16	416119201	SET SCREW (M3x6 A)
17	416517701	ZIGZAG CAM CONTACT
18	416517801	ZIGZAG CAM CONTACT SPRING
19	416183801	E-RING (ETW-5)
20	68001248	FEED REGULATING
21	68001226	FEED ROD
22	416116001	E-RING (ETW-3)
23	416518401	SET SCREW (M3x8 A)
24	416121501	SET SCREW (M4x8 A)
25	68001233	FEED REGULATOR SET PLATE
26	68001231	FEED REGULATING SHAFT
27	68001237	FEED REGULATING SPRING
28	68001282	FEED REGULATING PLATE CPL.
29	416225801	CS-RING (CSTW-4)
30	416155001	AUTO THREADER LEVER SPRING
31	416122101	SET SCREW (M4x6 C)
32	416116301	E-RING (ETW-5)
33	68001246	FEED REGULATING SHAFT

# F



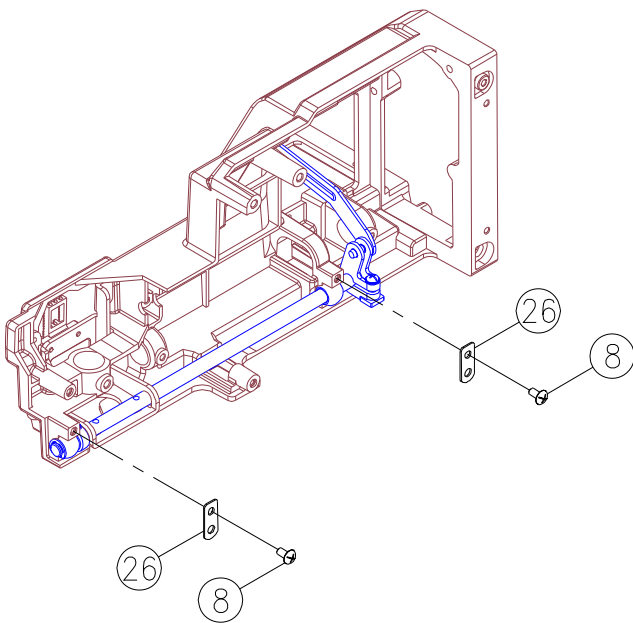
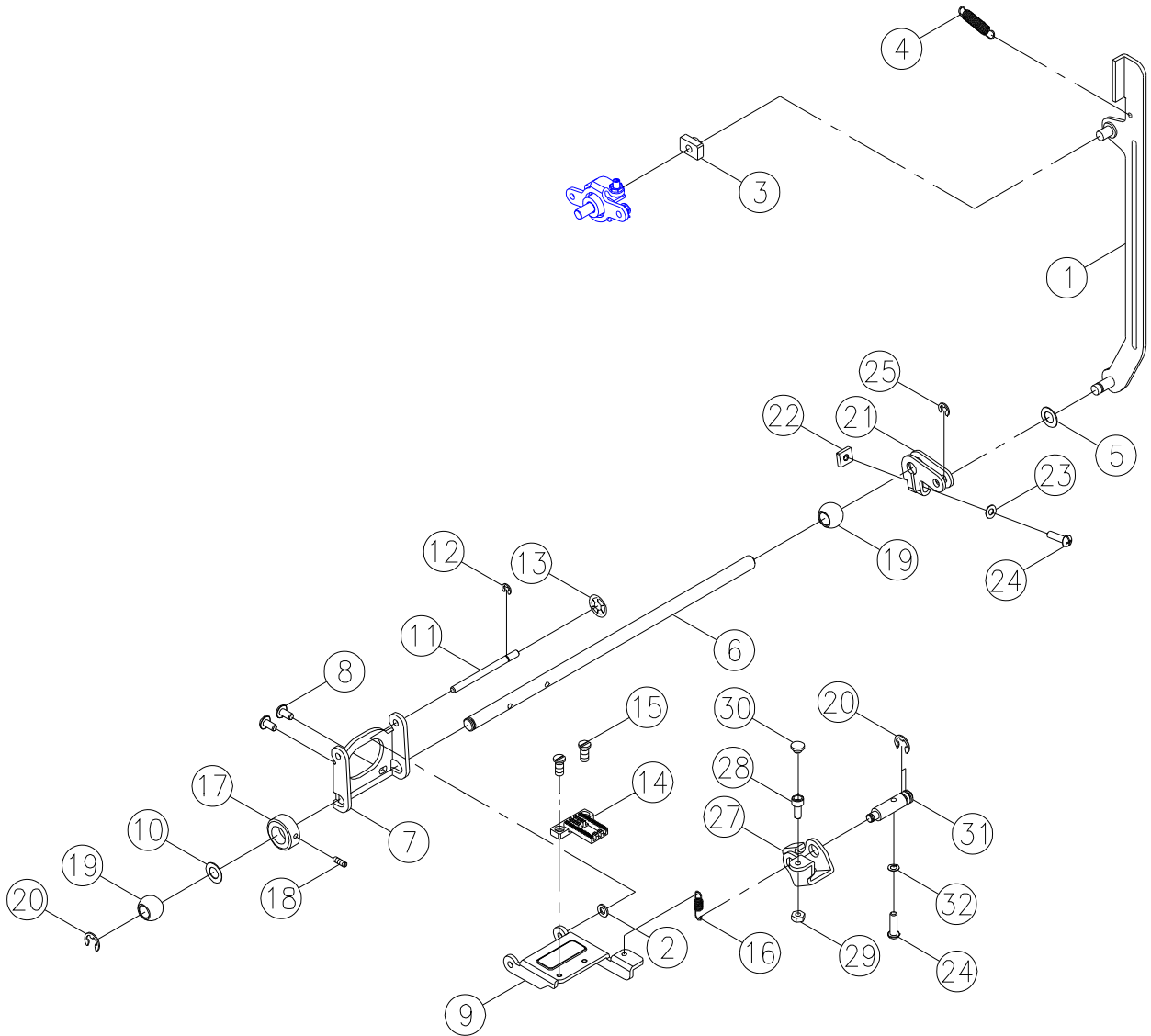
No.	Part No.	Description
#1	68020747	DIAL TENSION SUPPORTER PLATE CPL. (FOR 1234)
#1	68001141	DIAL TENSION SUPPORTER PLATE CPL. (FOR 1304/1306)
#2	68001142	MOVEMENT PLATE SUPPORTER CPL.
1	68001289	DIAL TENSION SUPPORTER PLATE
2	416154601	BASE PLATE ADJUSTMENT SCREW
3	416154401	BASE PLATE ADJUSTMENT SCREW SPRING
4	416526001	FREE ARM BASE CUSHION RUBBER
5	416124101	WASHER (4.2x8x0.8)
6	68001290	SPRING PIN (1.6x10)
7	68001291	DIAL TENSION BRACKET
8	68001292	DIAL TENSION PLATE
9	68001293	INTERMEDIUM PLATE
10	68001294	DIAL TENSION SPRING
11	68001295	INTERMEDIUM PLATE
12	68001296	DIAL TENSION WAFT PLATE
13	416116201	E-RING (ETW-4)
14	68001298	DIAL TENSION ADJUSTMENT KNOB
15	68001304	THREAD GUIDE SPRING
16	416718201	SET SCREW (M3x5)
17	68001301	DIAL TENSION ADJUSTMENT PLATE
18	416121201	SCREW (M4x6 B)
19	416198701	THREAD GUIDE
20	68001312	MOVEMENT PLATE SUPPORTER CPL.
21	68001305	SPRING
22	416184501	SET SCREW (M3x6)
23	416119201	SET SCREW (M3x6 A)
24	68001307	DIAL TENSION SHAFT
25	68001308	THREAD TAKE SPRING
26	416123001	SET SCREW (M4x14 L=37)
27	416124501	WASHER (5.2x10x0.5)
28	416121501	SET SCREW ( M4x8 A)

# G



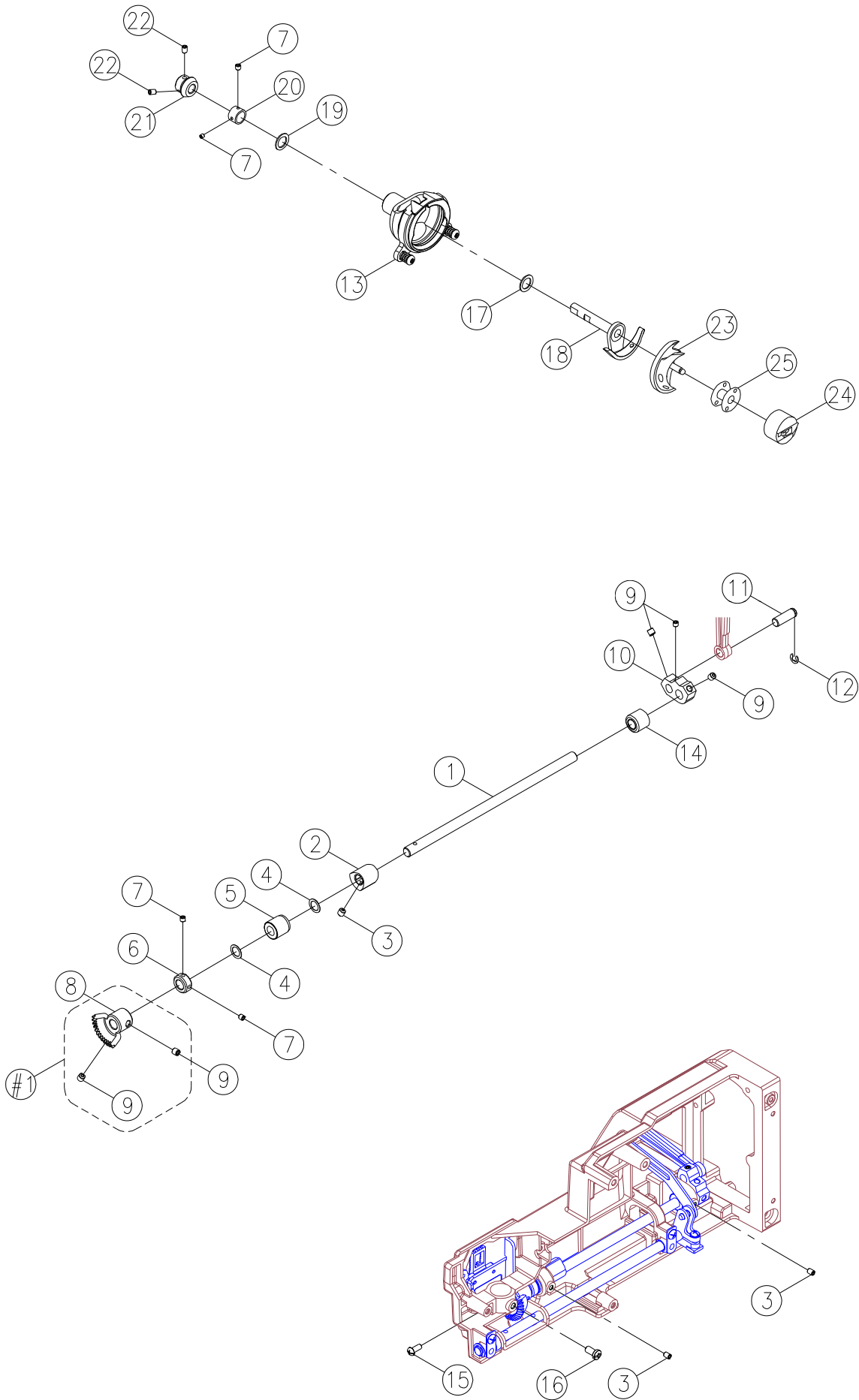
No.	Part No.	Description
1	416120201	SET SCREW (M3x10 A)
2	68013127	PRESSER BAR
3	68001160	PRESSER BAR BRACKET
4	416226801	SET SCREW (M4x8 C)
5	68013128	PRESSER BAR SPRING
6	416495501	SHANK CPL.
7	416118401	SHANK SCREW (9/64x40x8)
8	68001189	ADJUSTMENT BUTTON
9	68001165	NEEDLE BAR SUPPORTER
10	416189301	NEEDLE BAR SUPPORTER PIN
11	416116101	E-RING (ETW-4)
12	416157401	NEEDLE BAR SUPPORTER SPRING
13	68001168	NEEDLE BAR
14	68003221	NEEDLE CLAMP CPL.
15	416122901	SET SCREW
16	68001170	NEEDLE BAR BRACKET (1)
17	68001171	NEEDLE BAR BROCKET PIN
18	416122401	SET SCREW (M4x4 C)
19	68001174	NEEDLE BAR CRANK ROD
20	68001175	SPRING PIN (1.5x4)
21	416121001	SET SCREW (M4x5 C)
22		NEEDLE
23	68001178	NEEDLE BAR DRIVING ROD
24	416121701	SCREW (M4x15 B)
25	68001180	REVERSE LEVER
26	68001181	TENSION LEVER LIFTER
27	416121501	SET SCREW (M4x8 A)
28	68001135	PRESSER BAR LIFTER LEVER
29	68001182	SCREW (M4x15 A)
30	68015308	NUT (M4x0.7)
31	68013151	SPRING WASHER (6.2x12x2x0.15)
32	68001186	SCREW TUBE
33	416185801	WASHER (6.5x13x1)
34	416572001	PIN
35	416171501	NEEDLE PLATE

# H



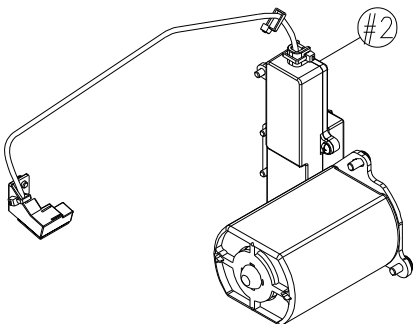
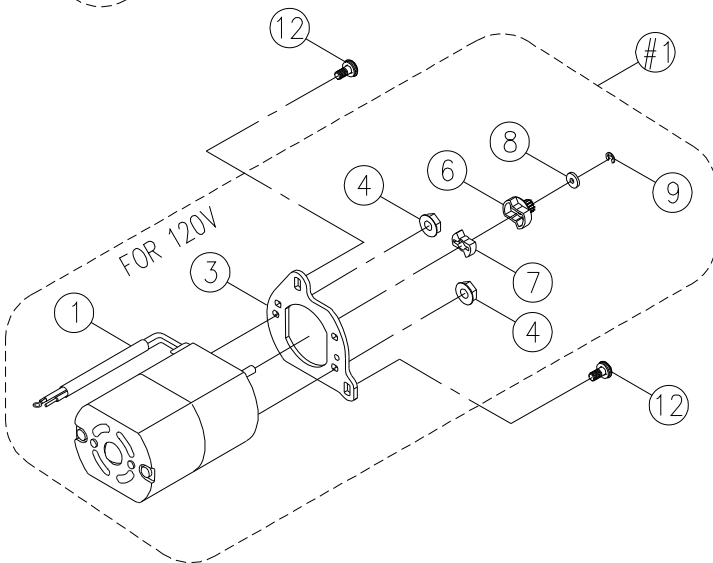
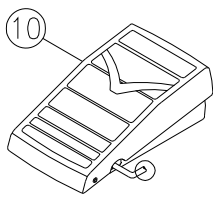
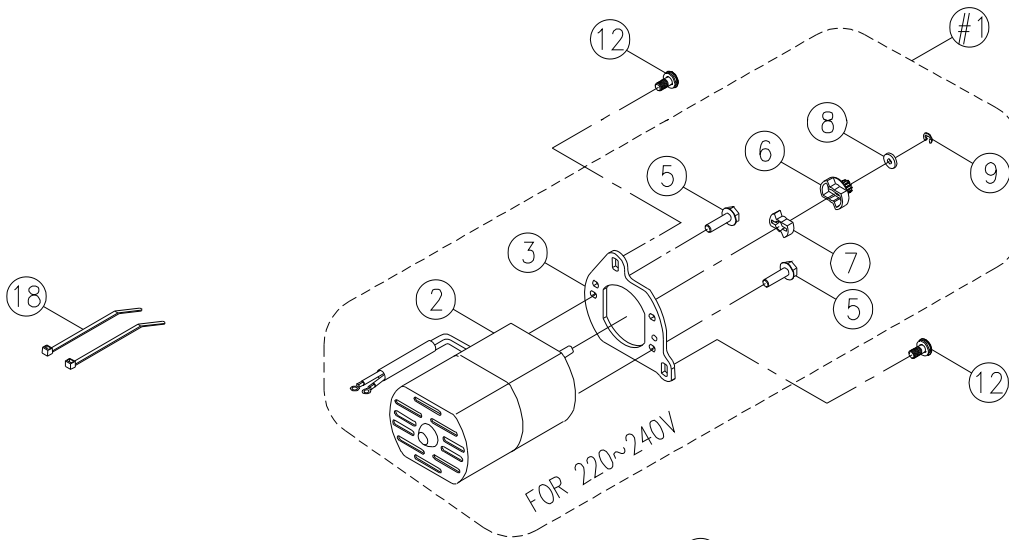
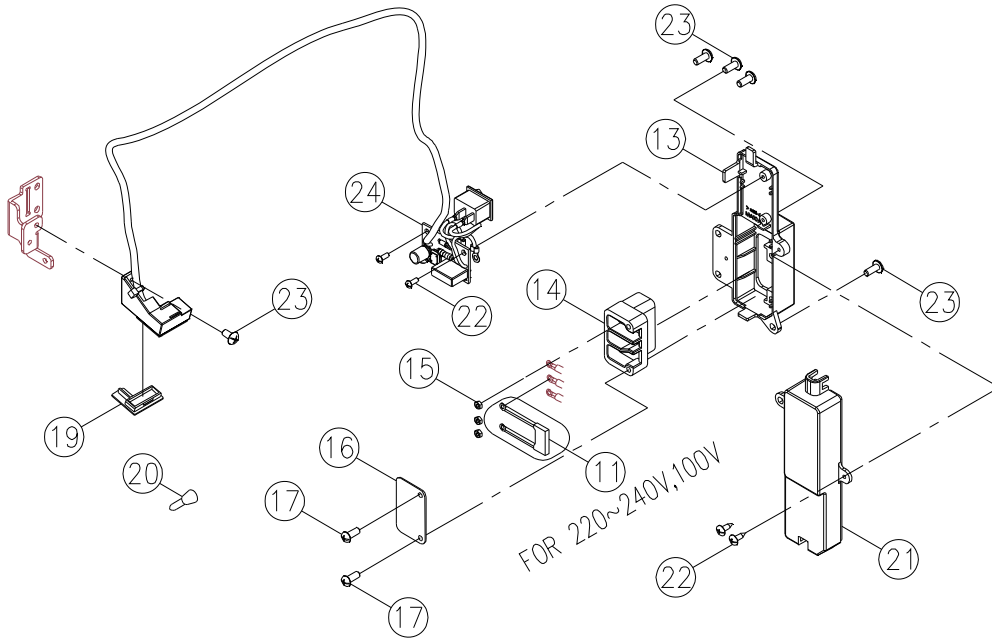


No.	Part No.	Description
1	68001314	FORK ROD CPL.
2	416125201	ENDURE ATTRITION WASHER (5.7x10.2x0.5)
3	416158601	FEED REGULATING BLOCK
4	416795201	FORK ROD SPRING
5	416125501	ENDURE ATTRITION WASHER (5.5x12x0.25)
6	68001320	FEED ROCK SHAFT
7	416164001	FEED ROCK FRAME
8	416121501	SET SCREW (M4x8 A)
9	416164101	FEED DOG FRAME
10	416125401	ENDURE ATTRITION WASHER (8.2x12x0.25)
11	416164201	FEED DOG FRAME SHAFT
12	416116001	E-RING (ETW-3)
13	416117901	NUT (SPN-4)
14	416171601	FEED DOG
15	270 004230056	SET SCREW (M3x5 B)
16	270 V60533003	FEED DOG FRAME SPRING
17	416151801	PATTERN CAM SHAFT COLLAR
18	416122401	SET SCREW(M4x4 C)
19	416162701	FEED ROCK BUSHING
20	416116401	E-RING (ETW-6)
21	68001343	FEED ROCK CRANK
22	416126701	FEED ROCK CRANK NUT (M4)
23	416124101	WASHER (4.2x8x0.8)
24	416121701	SET SCREW (M4x15 B)
25	416116101	E-RING (ETW-4)
26	416164601	BUSHING HOLDER PLATE
27	270 V60583003	FEED LIFTING ROCK CRANK
28	416123701	SEW SCREW
29	416126501	NUT (M4 t=3)
30	416154301	SEW SCREW KNOB
31	270 V60583003	FEED LIFTING ROCK SHAFT (Replaced by 270 V60583003)
32	416126101	WASHER (4.2x7.2x1.2)



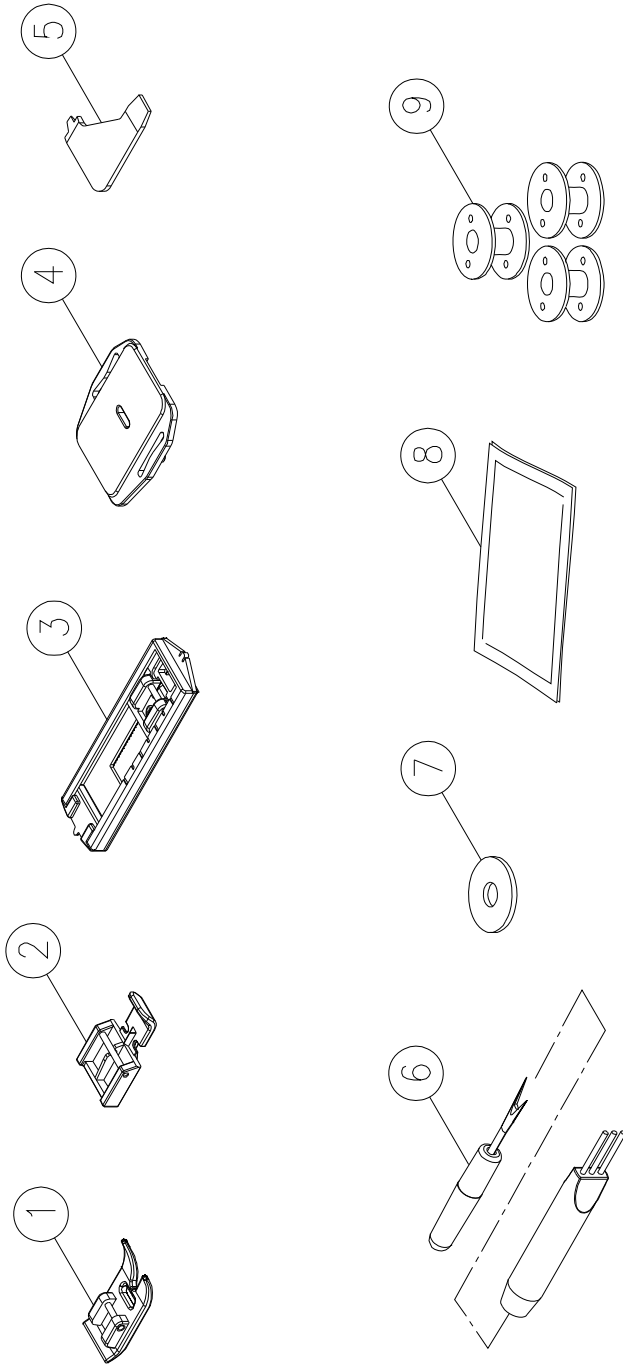
No.	Part No.	Description
#1	416245801	LOWER SHAFT GEAR CPL.
1	68001353	LOWER SHAFT
2	416520701	FEED LIFTING ROCK CAM
3	416122101	SET SCREW (M4x6 C)
4	416125401	ENDURE ATTRITION WASHER (8.2x12x0.25)
5	416141701	FEED ROCK BUSHING
6	416158801	LOWER SHAFT COLLAR
7	416122401	SET SCREW (M4x4 C)
8	270 G4A1573000	LOWER SHAFT GEAR
9	270 004250203	SET SCREW (M5x5 C)
10	68001362	CRANK CONNECTING ROD CRANK
11	68001363	CRANK CONNECTING ROD CRANK PIN
12	416116301	E-RING (ETW-5)
13	68000176	OPEN SHUTTLE RACE CPL.
14	68001391	FEED ROCK BUSHING
15	416121101	SET SCREW (M4x10 B)
16	68013169	SET SCREW (M5x10 B)
17	416125701	ENDURE ATTRITION WASHER (7.6x12x0.13)
18	68000174	SHUTTLE DRIVER CPL.
19	416125301	ENDURE ATTRITION WASHER (8.2x16x0.5)
20	416153101	SHUTTLE DRIVER SHAFT COLLAR
21	270 G4A1583000	SHUTTLE DRIVER SHAFT GEAR
22	416118701	SET SCREW (11/64x40x4)
23	416392101	SHUTTLE HOOK
24	416153401	BOBBIN CASE CPL.
25	68000175	BOBBIN

# J



No.	Part No.	Description
#1	68020749	MOTOR CPL. (FOR 230V / EU.)
#1	68020756	MOTOR CPL. (FOR 120V)
#2	68020760	MOTOR ELECTRIC WIRE CPL. (FOR 230V / EU.)
#2	68020762	MOTOR ELECTRIC WIRE CPL. (FOR 120V)
1	68001143	MOTOR (FOR 120V)
2	68001144	MOTOR (FOR 230V / EU.)
3	68001396	MOTOR BRACKET
4	416528501	NUT (M4 t=5.5) (FOR 120V)
5	416521501	SET SCREW (M4x10.2) (FOR 220V~240V)
6	416428701	BELT WHEEL
7	416129401	CUSHION RUBBER
8	416114501	MOTOR FEED REGULATOR COLLAR (Replaced by 416114501)
9	416116001	E-RING (ETW-3)
10	68001147	FOOT CONTROLLER BAG CPL. (FOR 230V / EU.)
10	68016629	FOOT CONTROLLER BAG CPL. (FOR 120V)
11	68013175	CONDENSER (FOR 220V~240V)
12	68013176	SET SCREW (M5x12)
13	68001402	RECEPTACLE HOLDER
14	416184701	RECEPTACLE
15	416528701	NUT (M3x4)
16	416183601	CONCERT INSULATION PLATE
17	68001407	SET SCREW (M3x22 B)
18	416113901	CORD CLIP
19	68001416	LAMPSHADE
20	416133001	END TERMED
21	68001410	RECEPTACLE HOLDER COVER
22	416681501	SET SCREW (M3x8.5)
23	416121501	SET SCREW (M4x8 A)
24	68003832	LED HOLDER CPL. (FOR 230V / EU.)
24	68013179	LED HOLDER CPL. (FOR 120V)

# K



<u>No.</u>	<u>Part No.</u>	<u>Description</u>
1	416128401	ALL PURPOSE FOOT
2	416128701	ZIPPER FOOT (I)
3	416128901	BUTTONHOLE FOOT (B)
4	416127901	EMBROIDERY PLATE
5	68000177	L-SCREWDRIVER
6	416127701	SEAM RIPPER/ BRUSH
7	416127301	SPOOL PIN FELT
8	620098796	NEEDLE
9	68000175	BOBBIN