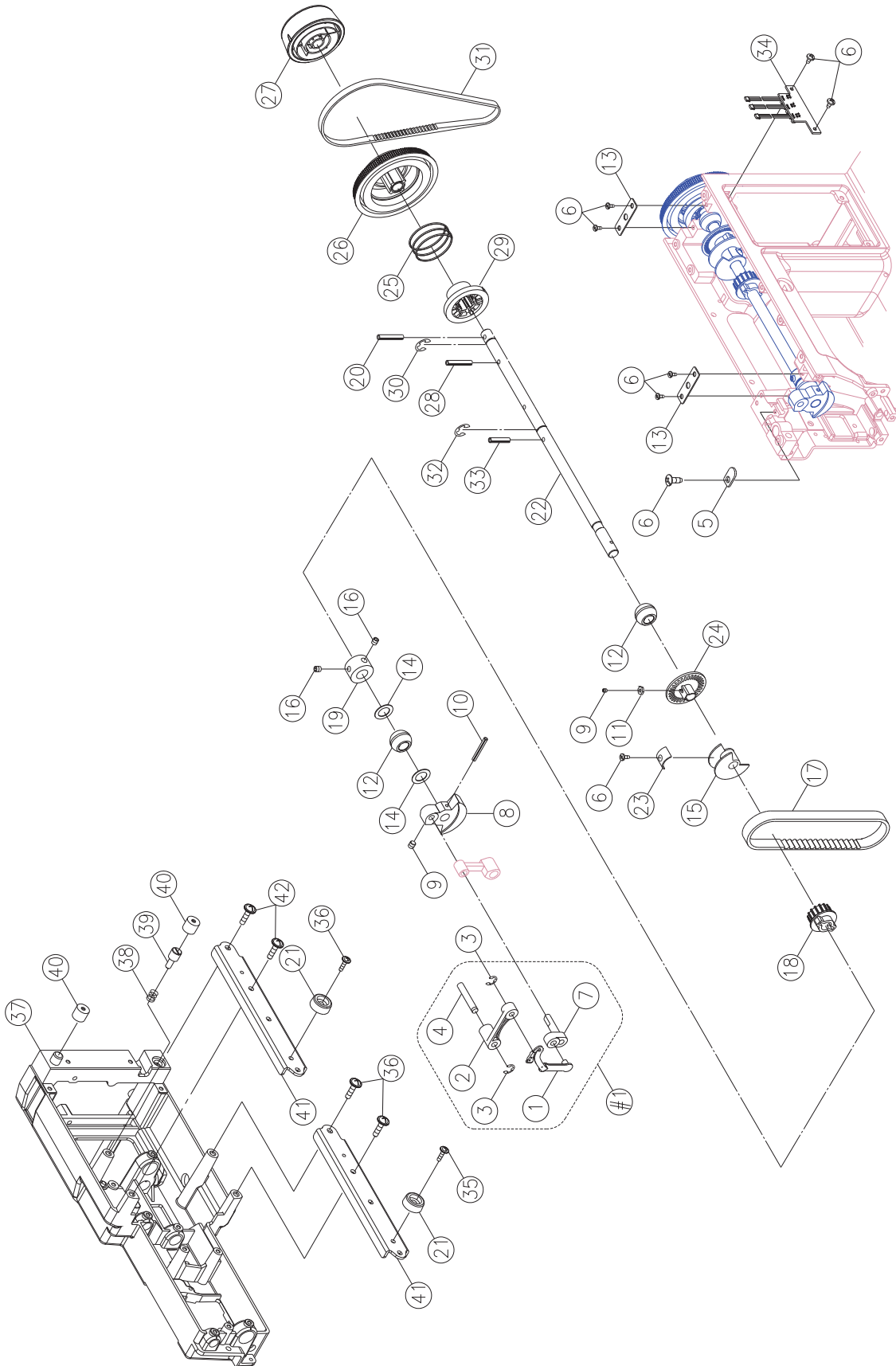




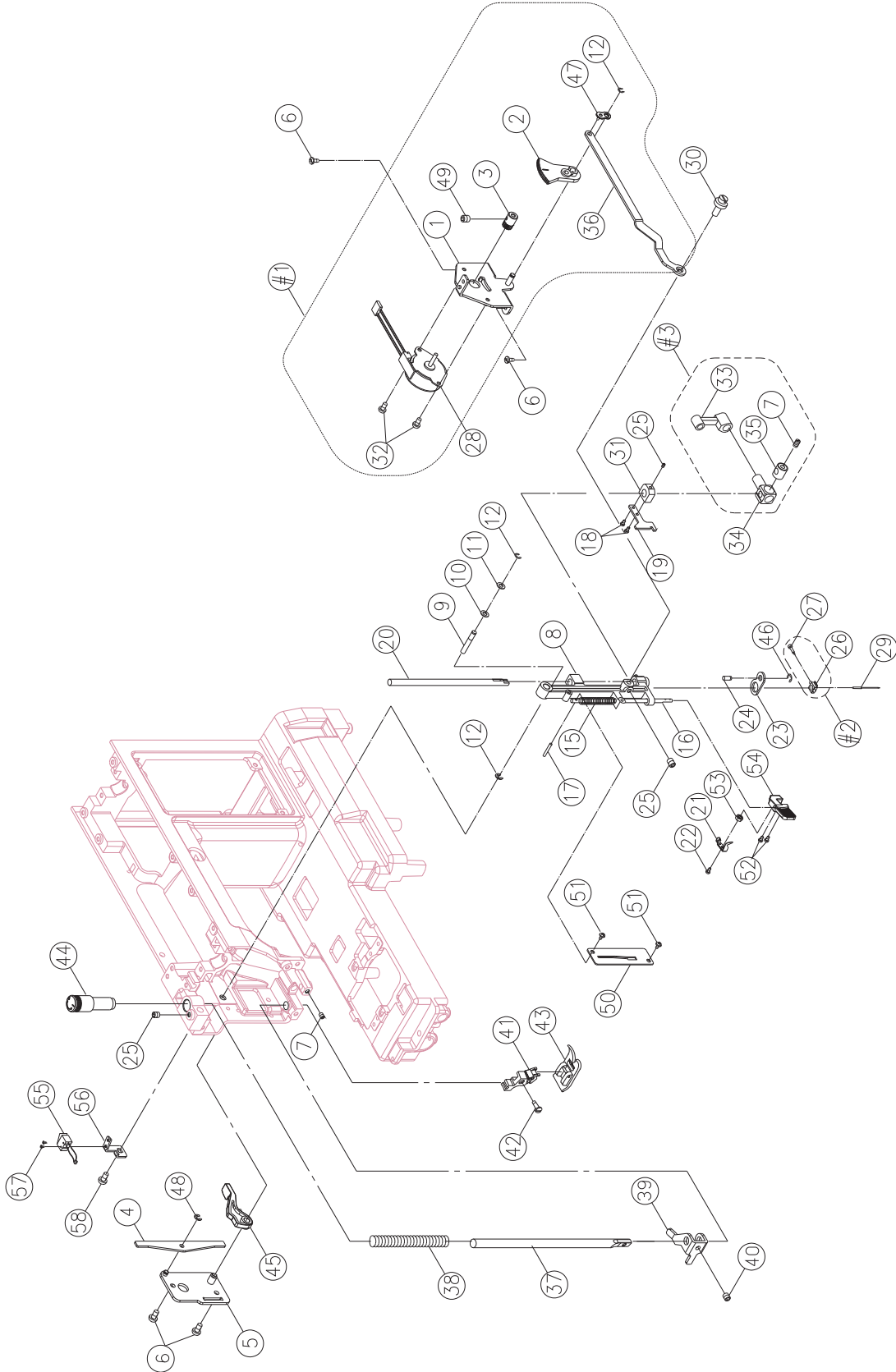
260C

Parts list

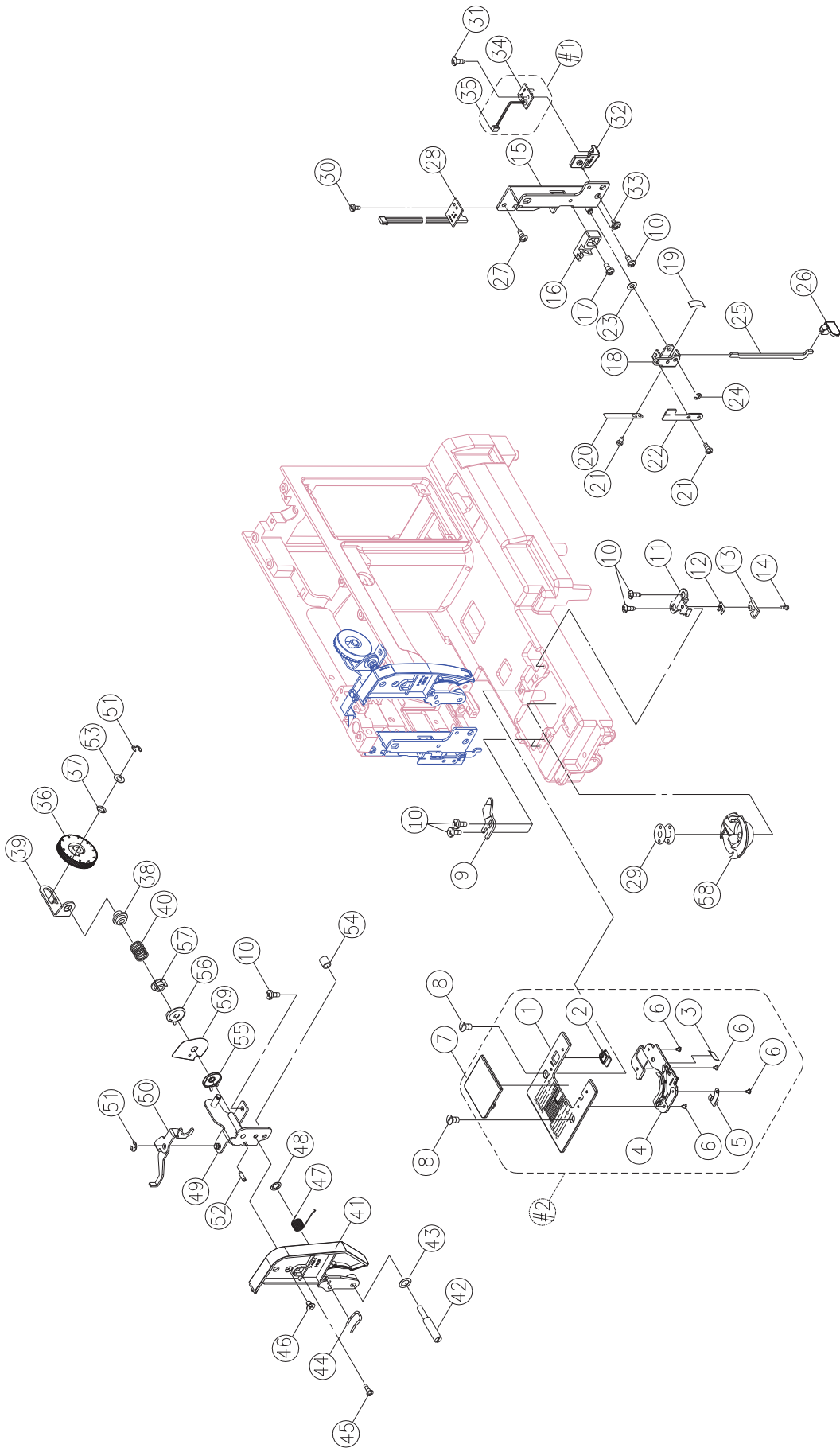
A



No.	Part No.	Description
1		THREAD TAKE UP LEVER COMPLETE
2		THREAD TAKE UP LEVER SUPPORTER
3		E-RING□ETW-3□
4		THREAD TAKE UP LEVER SUPPORTER SHAFT
5		SET WASTER
6		SET SCREW□M4×8A□
7		ARM SHAFT BALANCE PIN COMPLETE
8		ARM SHAFT BALANCE
9		SET SCREW (M4×6)
10		ARM SHAFT BALANCE PIN□□3.5×24□
11		NUT (M4 T=3)
12		ARM SHAFT BUSHING
13		ARM SHAFT BUSHING HOLDER PLATE
14		ENDURE ATTRITION WASHER
15	416642001	ROTARY SENSOR COLLAR
16		SET SCREW□M5×5□
17	416680301	MOTOR DRIVE BELT
18	416680201	ARM SHAFT SPROCKET
19		ARM SHAFT COLLAR
20		SPRING PIN□□3×30□
21	270 F31103000	FREE ARM BASE CUSHION RUBBER
22		ARM SHAFT
23		ARC WASHER
24		REVOLUTION CONTROL PANEL
25		ARM SHAFT CLUTCH ANNULUS SPRING
26	416680801	ARM SHAFT DRIVE BELT PULLEY
27	68009171	HAND WHEEL
28		SPRING PIN□□3×28□
29		ARM SHAFT COLLAR
30		E-RING□ETW-8□
31	416685701	MOTOR DRIVE BELT□2M□
32		E-RING□ETW-9□
33		SPRING PIN□□3×18□
34	416476401	PHOTO SENSOR PLATE
35		SET SCREW□M4×8□
36		SET SCREW□M5×10□
37		ARM
38		BASE PLATE ADJUSTMENT SCREW SPRING
39		BASE PLATE ADJUSTMENT SCREW
40	416526101	FREE ARM BASE CUSHION RUBBER
41		FREE ARM BASE CUSHION
#1	416484501	THREAD TAKE UP LEVER COMPLETE

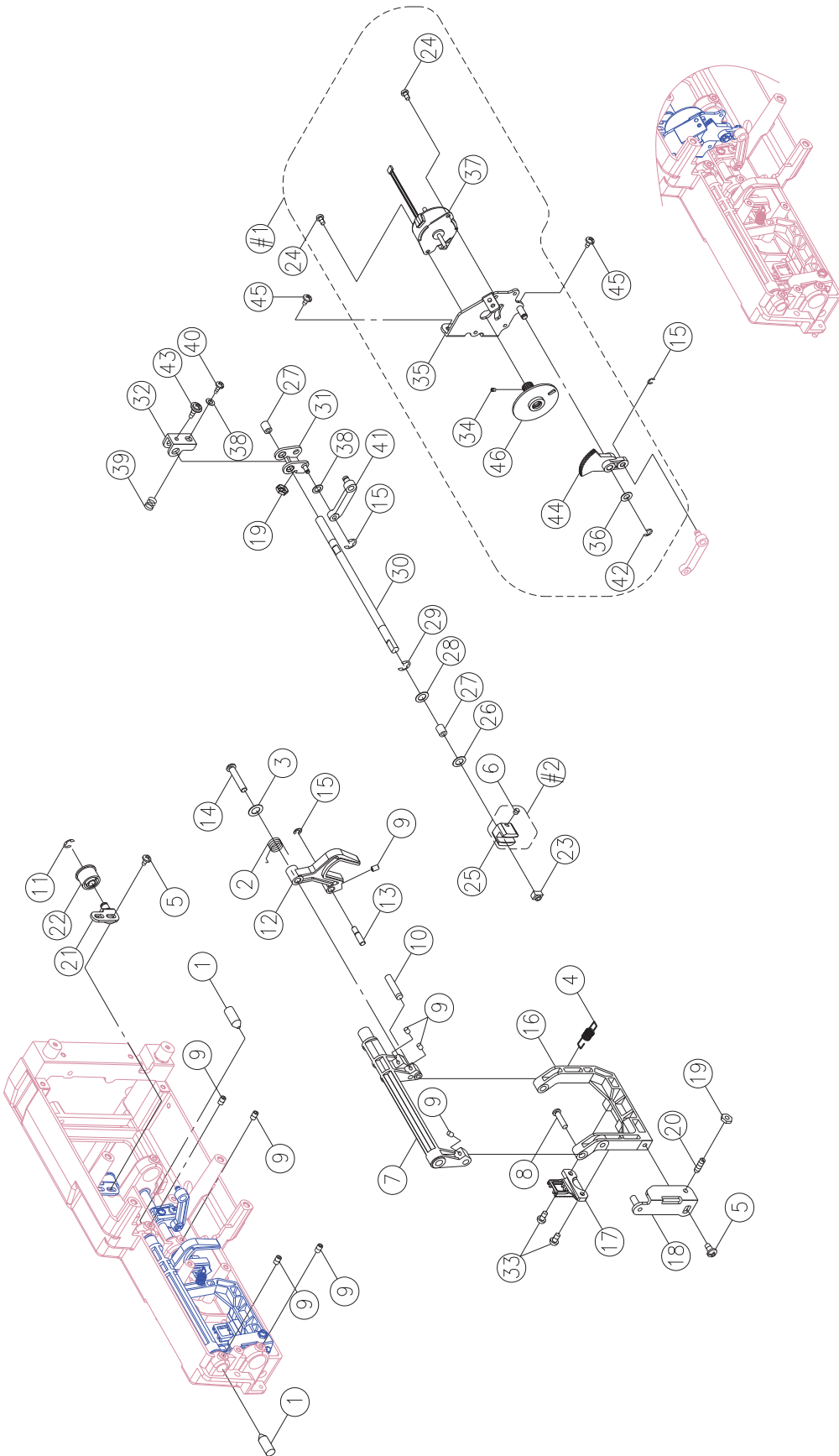


No.	Part No.	Description
1		ZIGZAG PULSE MOTOR PLATE
2		ZIGZAG CRANK GEAR
3		PULSE MOTOR GEAR
4		TENSION LEVER LIFTER
5		CLAMP PLATE
6		SET SCREW (M4×8 A)
7		SET SCREW (M4×4)
8		NEEDLE BAR SUPPORTER
9		NEEDLE BAR SUPPORTER PIN
10		WASHER (WW-6)
11		WASHER (6.5×13×1)
12		E-RING (ETW-4)
13		E-RING (ETW-5)
14		SET SCREW (M3×4 C)
15		THREADING SHAFT SPRING
16		THREADING SHAFT
17		PIN (□2×16)
18		SET SCREW (M2×4)
19		THREADING STOP HOLDER
20		NEEDLE BAR
21	416409701	NEEDLE HOOK COMPLETE
22		SET SCREW (M2×3.5)
23		NEEDLE BAR SUPPORTER
24		NEEDLE BAR SUPPORTER PLATE PIN
25		SET SCREW (M4×5)
26		NEEDLE CLAMP see #2
27		NEEDLE CLAMP SET SCREW see #2
28		PULSE MOTOR
29		NEEDLE (#80)
30		NEEDLE BAR DRIVING ROD PIN
31		THREADING STOPPER
32		SET SCREW□M3×5A□
33		NEEDLE BAR CRANK ROD
34		NEEDLE BAR BRACKET (1)
35		NEEDLE BAR BRACKET (2)
36		NEEDLE BAR DRIVING ROD
37		PRESSER BAR
38	68009173	PRESSER BAR SPRING
39		PRESSER BAR BRACKET
40		SET SCREW (M4×6)
41	416477001	SHANK COMPLETE
42	416430601	SET SCREW
43	820258096	ZIGZAG PRESSER FOOT
44		PRESSER BAR REGULATING SCREW COMPLETE
45	68009189	PRESSER BAR LIFTER LEVER
46		E-RING (ETW-4)
47		NEEDLE BAR DRIVING ROD PLATE
48		E-RING□ETW-3□
49		SET SCREW□M3×3□
50		THREADING GUIDE
51		SET SCREW (M3×6 A)
52		SET SCREW (M2×4B)
53		NUT (M2 T=1.6)
54	416580201	THREADING PLATE
55	416478001	MICRO SWITCH
56	68009190	PLATE (NO EMBROIDERY)(H30B)
57		SET SCREW□M2*0.4*L7.5□
58		SET SCREW□M4×6B□(NO EMBROIDERY)
#1	68009172	ZIGZAG PULSE MOTOR PLATE COMPLETE
#2	416613201	NEEDLE CLAMP COMPLETE
#3	416235801	NEEDLE BAR CRANK ROD COMPLETE

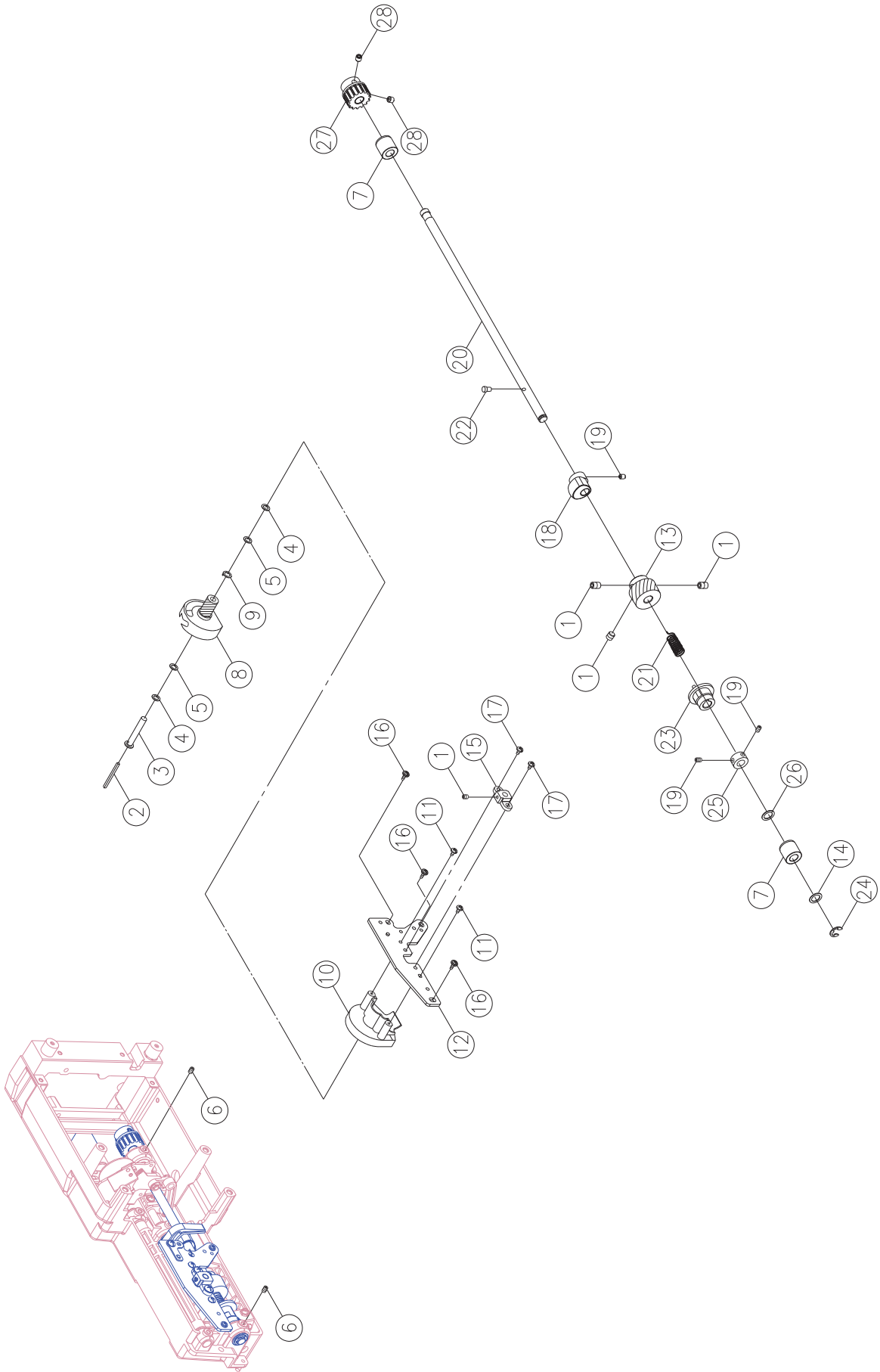


No.	Part No.	Description
1		NEEDLE PLATE
2	416155201	NEEDLE PLATE COVER OPEN
3	416172501	THREAD CUTTER
4	416568701	NEEDLE PLATE SUPPORTER
5	416147501	NEEDLE PLATE SPRING
6		SET SCREW (M2X3)
7	416679701	NEEDLE PLATE COVER
8	416122901	SET SCREW (M4×6)
9	416144001	ROTARY HOOK PLATE
10		SET SCREW (M4×6 B)
11	416687801	ROTARY HOOK PLATE (2)
12	416687801	ROTARY HOOK PLATE SPRING (2)
13	416687801	ROTARY HOOK PLATE SPRING (1)
14		SET SCREW (M2×2.5)
15		BH LEVER PLATE
16		BH MOVEMENT CRANK
17		SET SCREW (M3×6A)
18		BH LEVER CRANK
19		BH SPRING PLATE
20		BH LEVER CRANK SPRING
21		SET SCREW□M3×5B□
22		PHOTO PLATE
23		WASHER (5.2X10X0.2)
24		E-RING□ETW-3□
25		BH LEVER
26	68009191	BH LEVER BUTTON
27		SET SCREW (M4×8A)
28	68009192	PHOTO SENSOR PLATE
29	68000175	BOBBIN
30		SET SCREW (M3×5A)
31		SET SCREW (M3×6B)
32	68009193	LED HOLDER
33		SET SCREW□M3×5□
34		LED LIGHT LAMP
35		LED LAMP LINE
36		DIAL TENSION KNOB
37		WASHER (WW-5)
38	416153801	DIAL TENSION REGULATOR
39		DIAL TENSION SPRING PLATE
40		DIAL TENSION SPRING
41		DIAL TENSION SUPPORTER PLATE COVER
42		SET SCREW (M4)
43		WASHER (4.1*8*1)
44	416198701	THREAD GUIDE
45		SET SCREW□M4×15B□
46		SET SCREW□M4×6□
47	416162601	THREAD GUIDE SPRING
48		CS RING (CS-5)
49		DIAL TENSION SUPPORTER PLATE
50		DIAL TENSION WAFT PLATE
51		E-RING (ETW-4)
52		PIN
53		WASHER(5.2×10×0.5)
54		DIAL TENSION GUIDE SPRING TUBE
55	416153601	DIAL TENSION DISC (1)
56	416146301	DIAL TENSION DISC
57	416412001	DIAL TENSION SPRING REGULATOR
58	416827001	SHUTTLE HOOK COMPLETE
59	68009194	DUAL THREAD GUIDE PLATE
#1	68009195	LED LIGHT LAMP COMPLETE
#2	68009196	NEEDLE PLATE COMPLETE

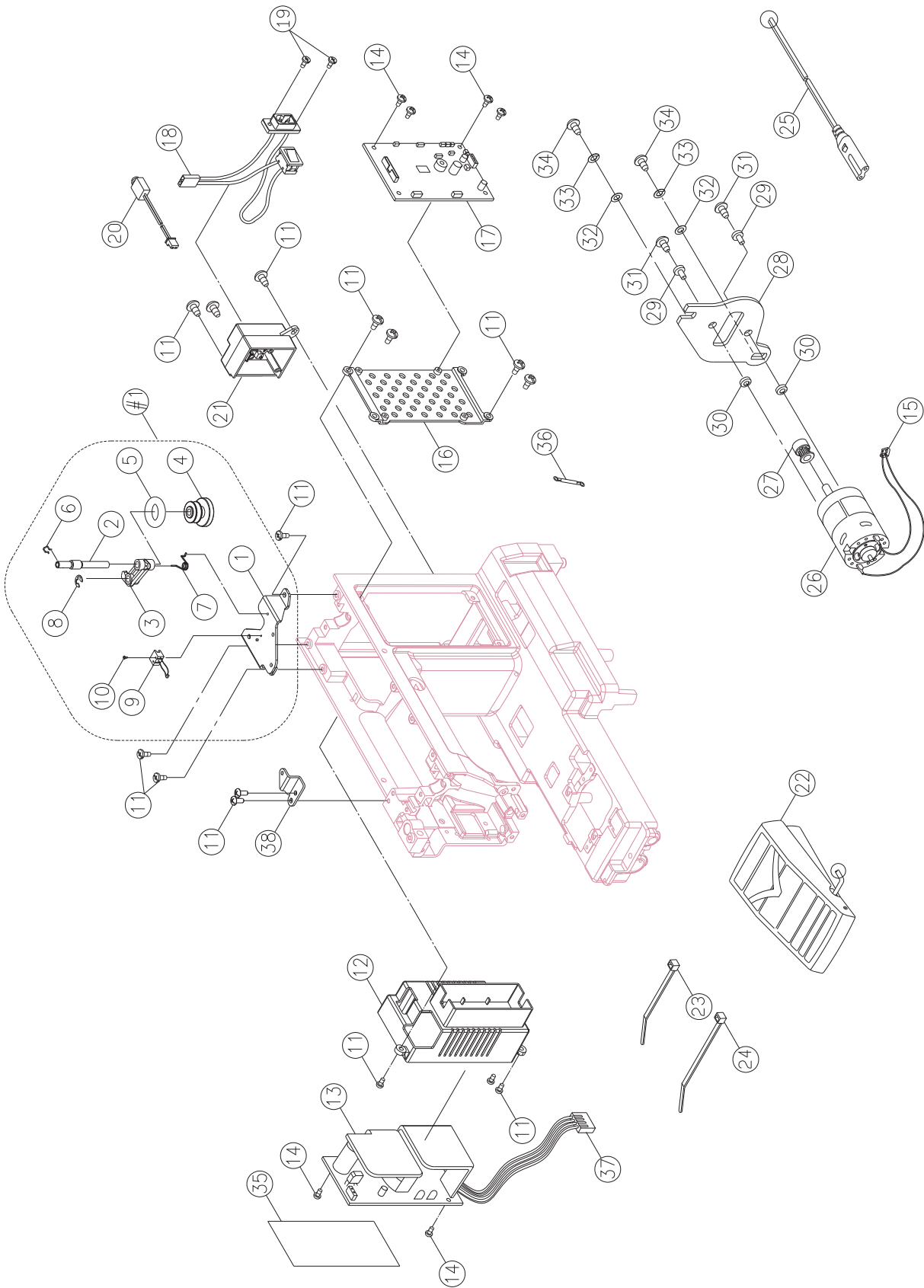
D



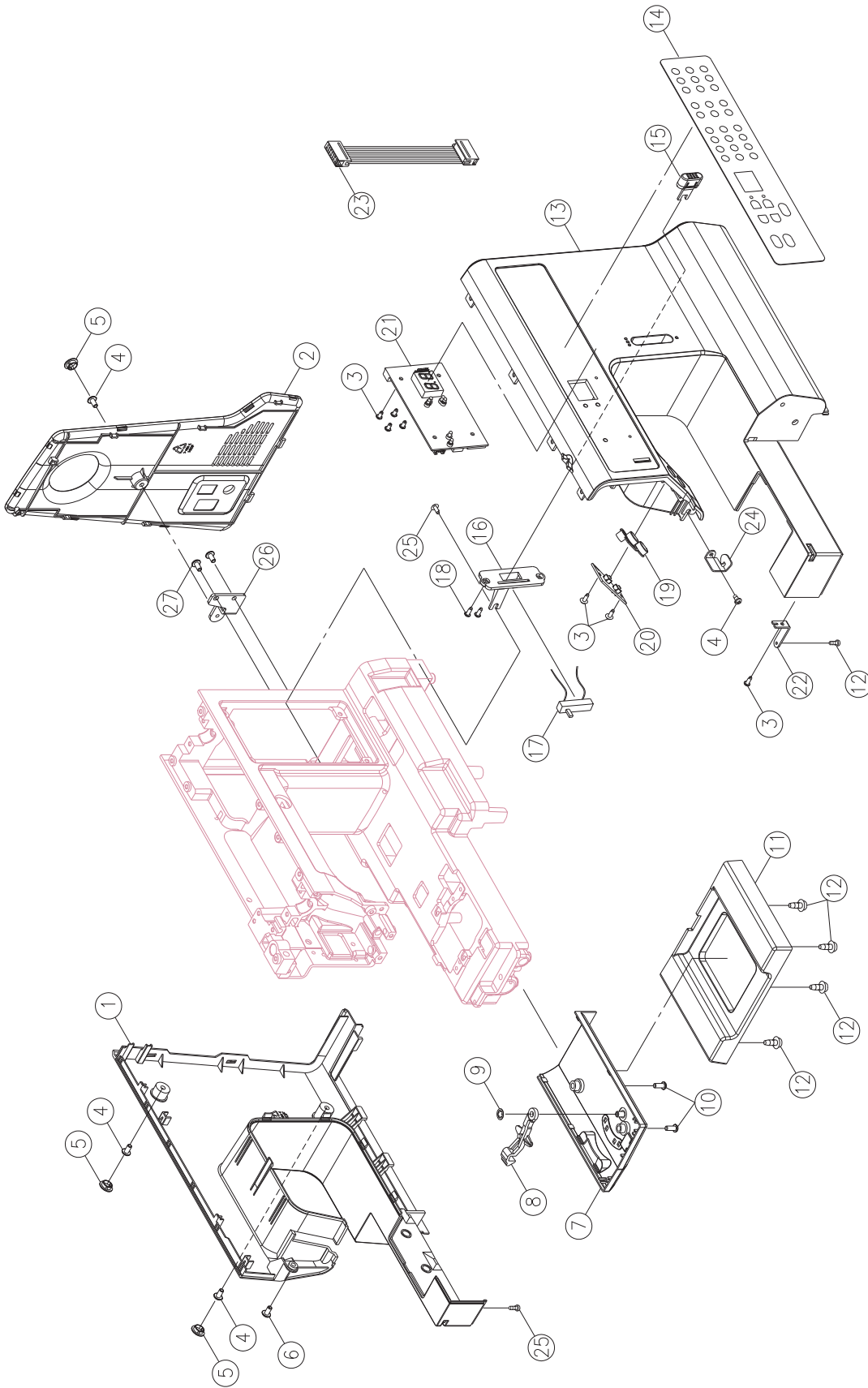
No.	Part No.	Description
1		FEED CRANK SHAFT
2		FEED ROCK CRANK SPRING
3		WASHER (5.2×12×1)
4	416631201	FEED DOG SPRING
5		SET SCREW □M4×8 A□
6		SET SCREW (M4×4)
7		FEED ROCK SHAFT
8	416192001	FEED DOG SHAFT
9		SET SCREW □M4×6□
10		FEED ROCK FRAME SHAFT (2)
11		E-RING (ETW-4)
12		FEED ROCK CRANK
13		REGULATING BLOCK SHAFT
14		FEED ROCK SHAFT
15		E-RING □ETW-3□
16	416192001	FEED DOG SUPPORTER
17	416479601	FEED DOG
18		FEED LIFTING ROCK CRANK
19		ADJUSTING NUT (ALN-4)
20		SET SCREW (M4×0.7 L9)
21		BELT ADJUSTING PLATE
22	416683901	BELT ADJUSTING PLATE PULLEY
23		FEED REGULATING BLOCK
24		SET SCREW (M3×5A)
25		FEED REGULATING
26		ENDURE ATTRITION WASHER
27		FEED ROCK BUSHING
28		WASHER □6.7×12×1□
29		E-RING □ETW-5□
30		FEED REGULATING SHAFT
31		FEED REGULATING CRANK
32		FEED CRANK
33		SET SCREW (M3.5×0.6 L8)
34		SET SCREW (M3×3)
35		PULSE SUPPORT PLATE
36		WASHER (5.2×10×0.5)
37		PULSE MOTOR COMPLETE (HX0A)
38		WASHER (4.2×8×0.8)
39		FEED REGULATING CRANK SPRING
40		SET SCREW
41		FEED ROCK ROD
42		E-RING □ETW-4□
43		SET SCREW (M3×12)
44		FEED ROCK CRANK GEAR
45		SET SCREW (M3×6A)
46		PULSE MOTOR GEAR COMPLETE
#1	416643101	PULSE SUPPORT PLATE COMPLETE
#2		FEED REGULATING COMPLETE



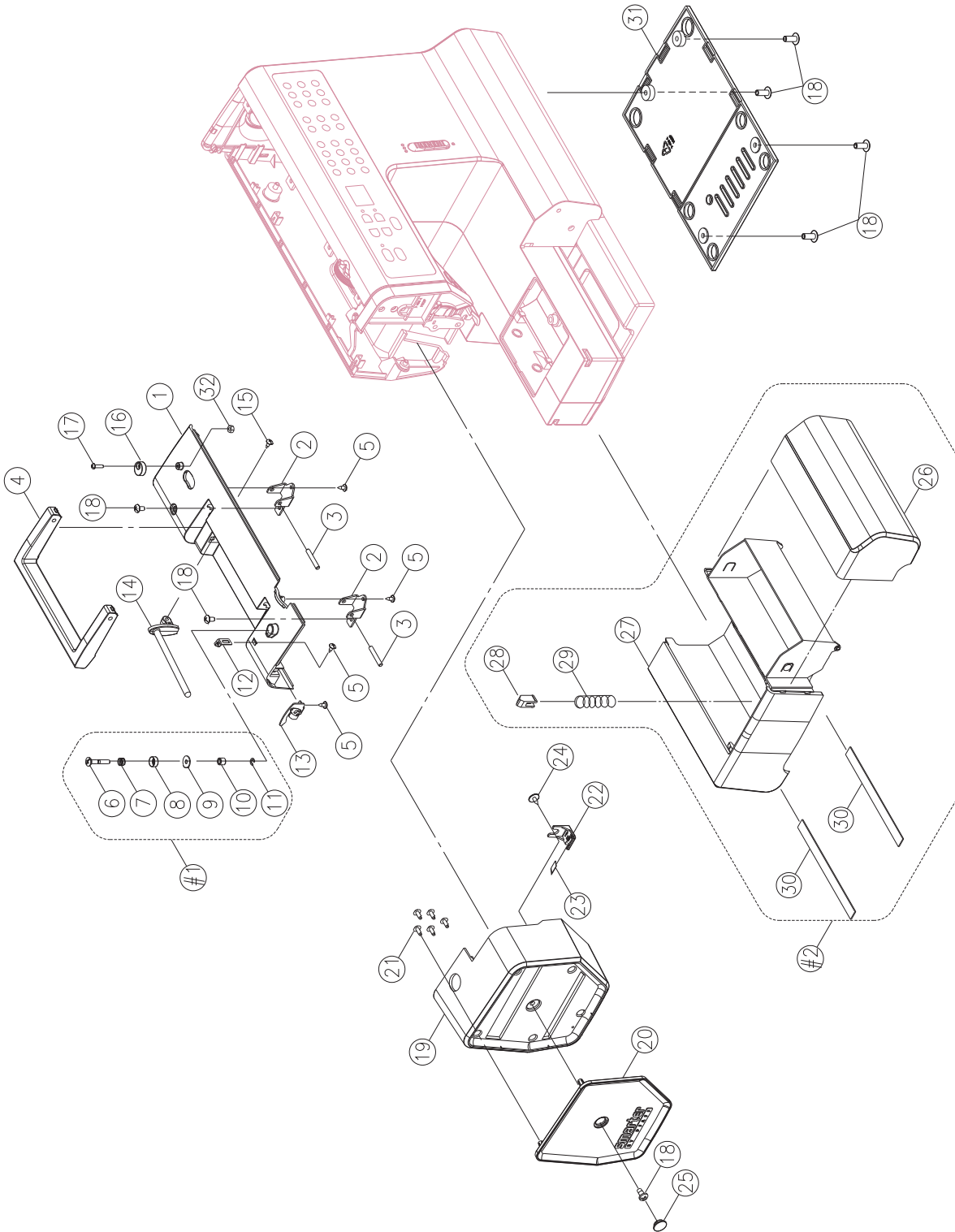
No.	Part No.	Description
1		SET SCREW□M4×5□
2	416155801	BOBBIN SHAFT OIL CLOTH
3	416145401	BOBBIN SHAFT
4		BOBBIN SHAFT WASHER (2)
5	416125901	ENDURE ATTRITION WASHER
6		SET SCREW□M4×6□
7		LOWER SHAFT BUSHING
8	416479801	SHUTTLE HOOK HOLDER
9		BOBBIN SHAFT WASHER (3)
10		SHUTTLE HOOK COVER
11		SET SCREW□M3×12□
12		ROTARY HOOK HOLDER
13	416197201	LOWER SHAFT GEAR
14		WASHER□8.2×12×0.5□
15		ROTARY HOOK SUPPORTER
16		SET SCREW□M4×8□
17		SET SCREW□M4×8 A□
18		FEED ROCK CAM
19		SET SCREW (M4×4)
20		LOWER SHAFT
21		LOWER SHAFT SPRING
22		FEED LIFTING ROCK COM PIN
23		FEED LIFTING ROCK CAM
24		E-RING□ETW-6□
25		LOWER SHAFT COLLAR
26		ENDURE ATTRITION WASHER
27		LOWER SHAFT BELT PULLEY
28		SET SCREW□M5×5□



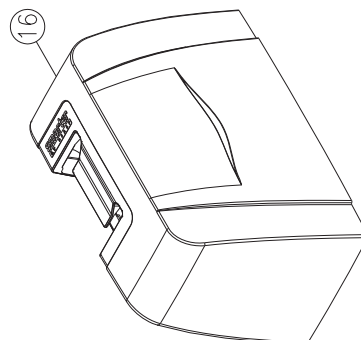
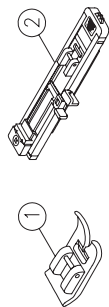
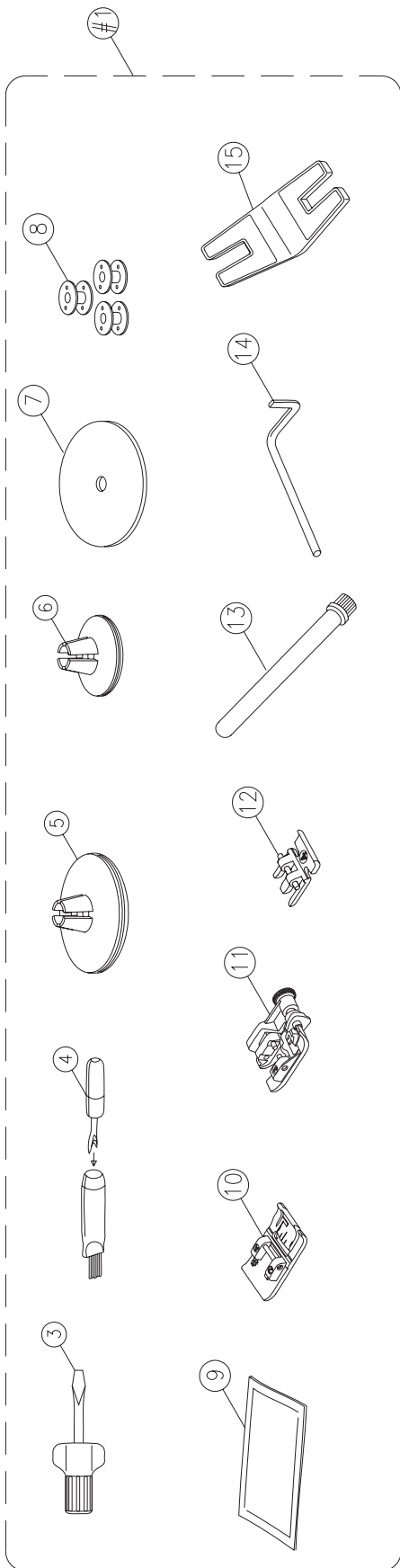
No.	Part No.	Description
1		BOBBIN WINDER PLATE
2		BOBBIN WINDER CRANK
3		BOBBIN WINDER CRANK
4		BOBBIN WINDER PULLEY
5	416149201	BOBBIN WINDER RUBBER PULLEY
6		BOBBIN WINDER CRANK SPRING
7	270 K6A0573003	BOBBIN WINDER CRANK SPRING
8		E-RING □ETW-5 □
9	416480101	MICRO SWITCH
10		SET SCREW (M2*0.4*7.5)
11		SET SCREW (M4×8A)
12		HF TRANSFORMER BOX
13	68009200	HF TRANSFORMER COMPLETE (FOR 100V/230V)
14		SET SCREW □M3×8.5 □
15		DC MOTOR LEAD CORD
16		FRAME OF MAIN CIRCUIT BOARD
17	68009201	MAIN CIRCUIT BOARD (H10E)
18	68009202	SWITCH RECEPTACLE ASS'Y (FOR 230V)
18	68009203	SWITCH RECEPTACLE ASS'Y (FOR 120V)
19		SET SCREW (M3×12B)
20	416685501	CONTROLLER RECEPTACLE (FOR 100V/230V)
20	416685401	CONTROLLER RECEPTACLE (FOR 120V)
21	68009204	RECEPTACLE HOLDER
22	68009205	FOOT CONTROLLER (C-9000)
23		CORD CLIP(L=12)
24		CORD CLIP(L=20)
25	416419702	POWER CORD (FOR 230V) EU.
25	416419802	POWER CORD (FOR 120V) UL
25	416420002	POWER CORD (FOR 240V)
26	416417101	DC MOTOR COMPLETE
27		MOTOR WHEEL
28		MOTOR BRACKET
29		INSULATION SPACER
30		INSULATION SPACER
31		SET SCREW (M3*10)
32		WASHER(5.4×10×0.9)
33		SPRING WASHER (5.1×9.2×1.3)
34		SET SCREW (M5×12)
35		SMPS INSULATING SLICE
36		GROUND CONNECTION
37		HF TRANSFORMER WIRE (FOR 230V)
37		HF TRANSFORMER WIRE (FOR 120V)
38		ARM TOP COVER BRACKET
#1	68009198	BOBBIN WINDER COMPLETE



No.	Part No.	Description
1	68009206	BACK COVER 260C
2	68009207	MOTOR DRIVE BELT COVER 260C
3		SET SCREW□M3×6B□
4		SET SCREW□M4×8A□
5	68009208	CAP
6		SET SCREW□M4×10B□
7		FREE ARM BASE
8		TOOTH LEVER ARM
9		CS-RING (CS-5)
10		SET SCREW□M4×12B□
11	68009209	FREE ARM FOOT BUSH
12		SET SCREW□M3×8.5□
13	68009210	FRONT COVER 260C
14	68009211	FRONT PANEL COMPLETE 260C
15	68009212	SLIDE VOLUME KNOB 260C
16	68009213	SLIDE VOLUME KNOB CONNECTOR
17	68009214	SLIDE VOLUME
18		SET SCREW□M3×7□
19	68009215	START/STOP PUSH BUTTON
20	68009216	START/STOP REVERSE CIRCUIT BOARD
21	68009217	LED MAIN CIRCUIT BOARD
22		ARM FRONT COVER SET PLATE
23	416689701	ROW LINE
24		ARM TOP COVER THREAD GUIDE PLATE
25		SET SCREW□M4×8□
26		MOTOR DRIVE BELT COVER FRAME
27		SET SCREW□M4×8B□



No.	Part No.	Description
1	68009226	TOP COVER 260C
2		HANDLE BRACKET
3		PIN
4	416804401	HANDLE
5		SET SCREW□M3×8.5□
6		BOBBIN WINDER THREAD GUIDE ADJ. SCREW
7		BOBBIN WINDER THREAD GUIDE SPRING
8		BOBBIN WINDER SPRING DISC
9		BOBBIN WINDER THREAD GUIDE
10		SPACER
11		E-RING□ETW-3□
12		THREAD GUIDE
13	416469501	THREAD GUIDE COMPLETE
14	416804601	SPOOL PIN BASE
15		SET SCREW□M3×12B□
16	416554101	BOBBIN WINDER
17		SET SCREW□9/64*40*16B□
18		SET SCREW□M4×8A□
19	68009227	FACE COVER 260C
20	68009228	FACE PANEL 260C
21		SET SCREW□M3×8□
22		FACE CUTTER PLATE
23	416172501	THREAD CUTTER
24		SET SCREW□M3×8□
25	68009208	CAP
26		SEWING TABLE BODY COVER
27		SEWING TABLE BODY
28		SEWING TABLE BODY GUIDE
29		SEWING TABLE BODY GUIDE SPRING
30		SEWING TABLE BODY FELT
31	68009229	BASE PLATE COVER
32		NUT (9/64*40*3)
#1	416804901	BOBBIN WINDER THREAD GUIDE COMPLETE
#2	68009232	SEWING TABLE BODY COMPLETE



No.	Part No.	Description
1	820258096	ALL PURPOSE FOOT
2	416483201	BUTTONHOLE FOOT COMPLETE
3	412381501	SCREW DRIVE (LARGE)
4	416691401	BRUSH/SEAM RIPPER
5	412371101	SPOOL HOLDER (LARGE)
6	416483401	SPOOL HOLDER (SMALL)
7	416483501	FELT PAD
8	68000175	BOBBIN
9		NEEDLE
10	413060501	FANCY STITCHES FOOT (#2A)
11		BLIND HEMMING FOOT (#3)
12		ZIPPER FOOT (#4)
13	416483801	SPOOL PIN AMBITION
14	416483701	EDGE/QUILTING GUIDE
15	416483601	CLEARANCE PLATE
16	68009230	HARD CASE COMPLETE 260C
#1	68009231	ACCESSORY COMPLETE 260C