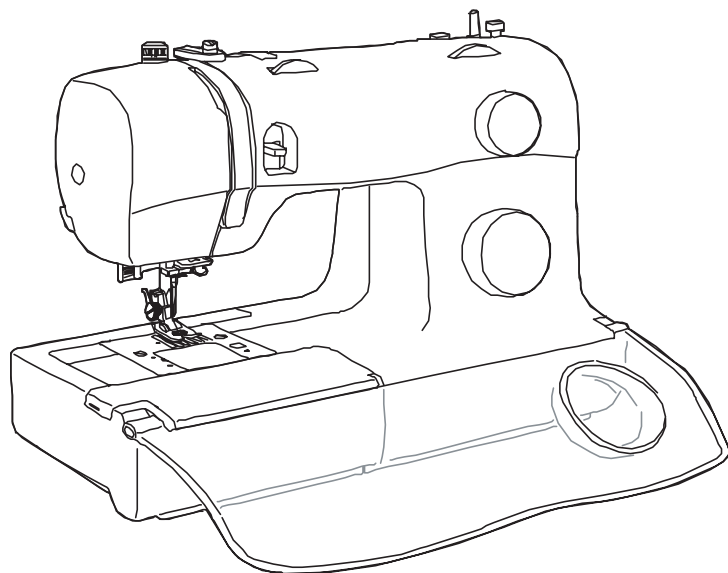


smart

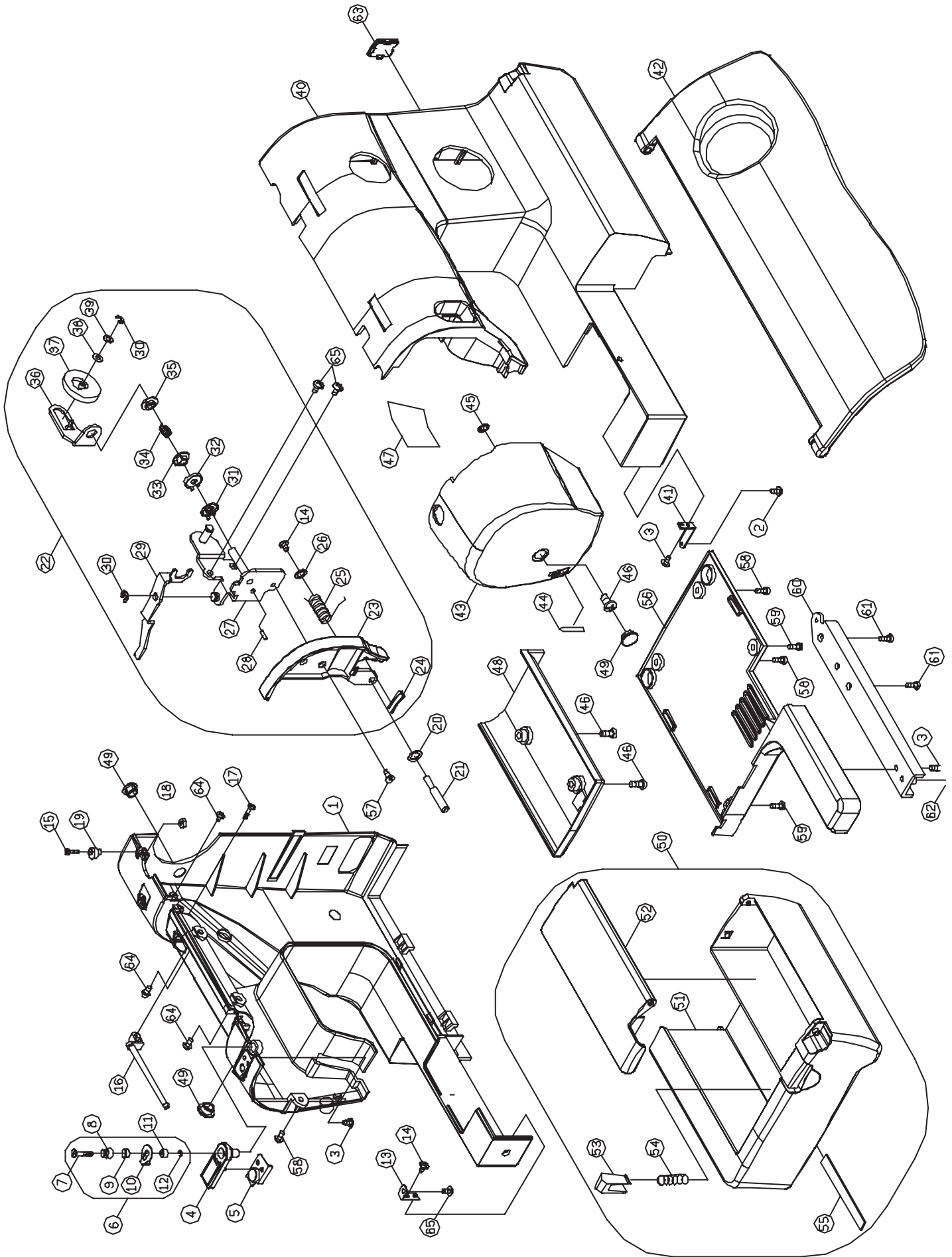
B Y P F A F F

100 S

Ersatzteile-Liste
List of spare parts
Liste des pièces détachées
Catalogo pezzi staccati
Lista de piezas de repuesto

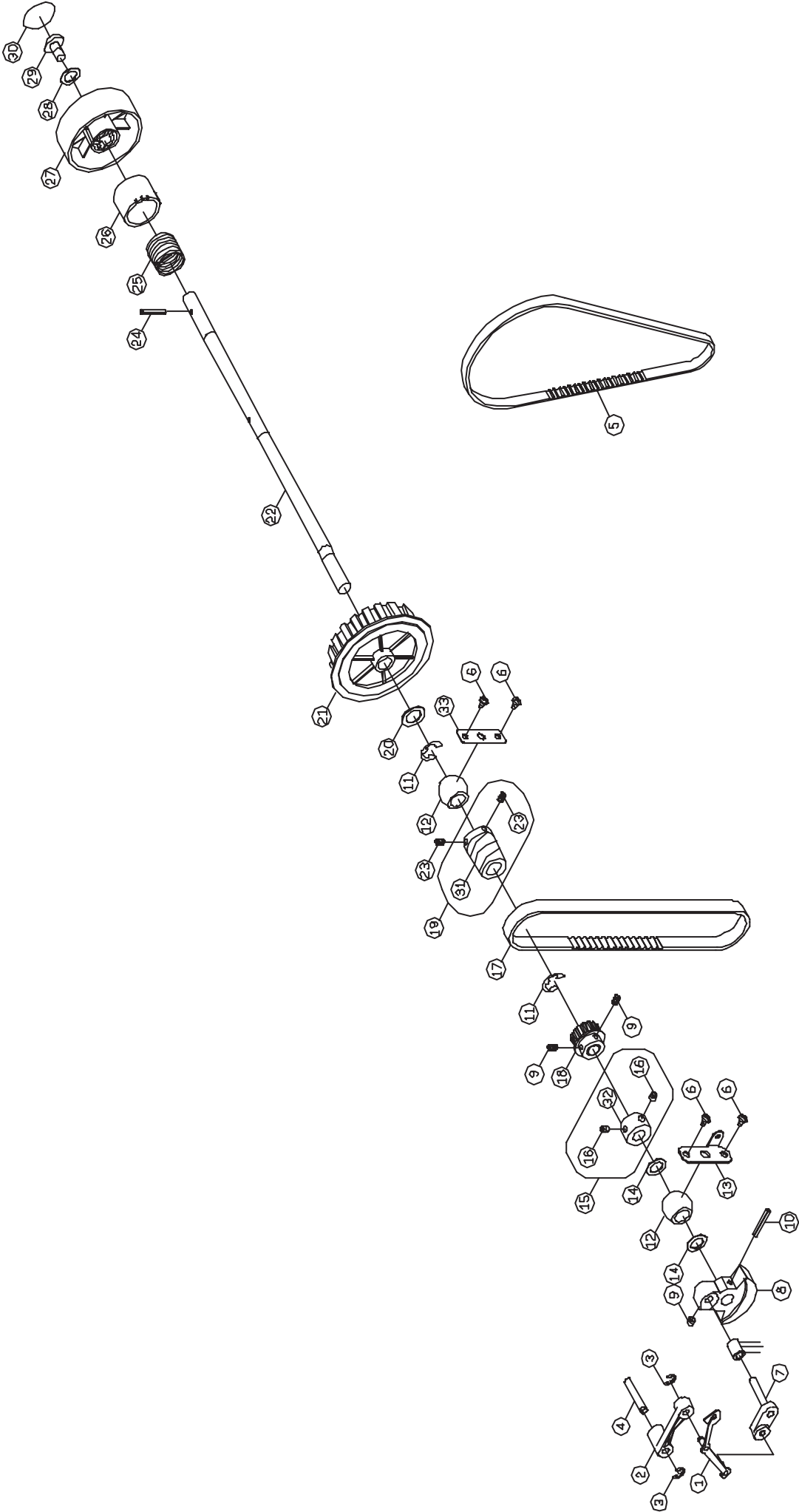


A



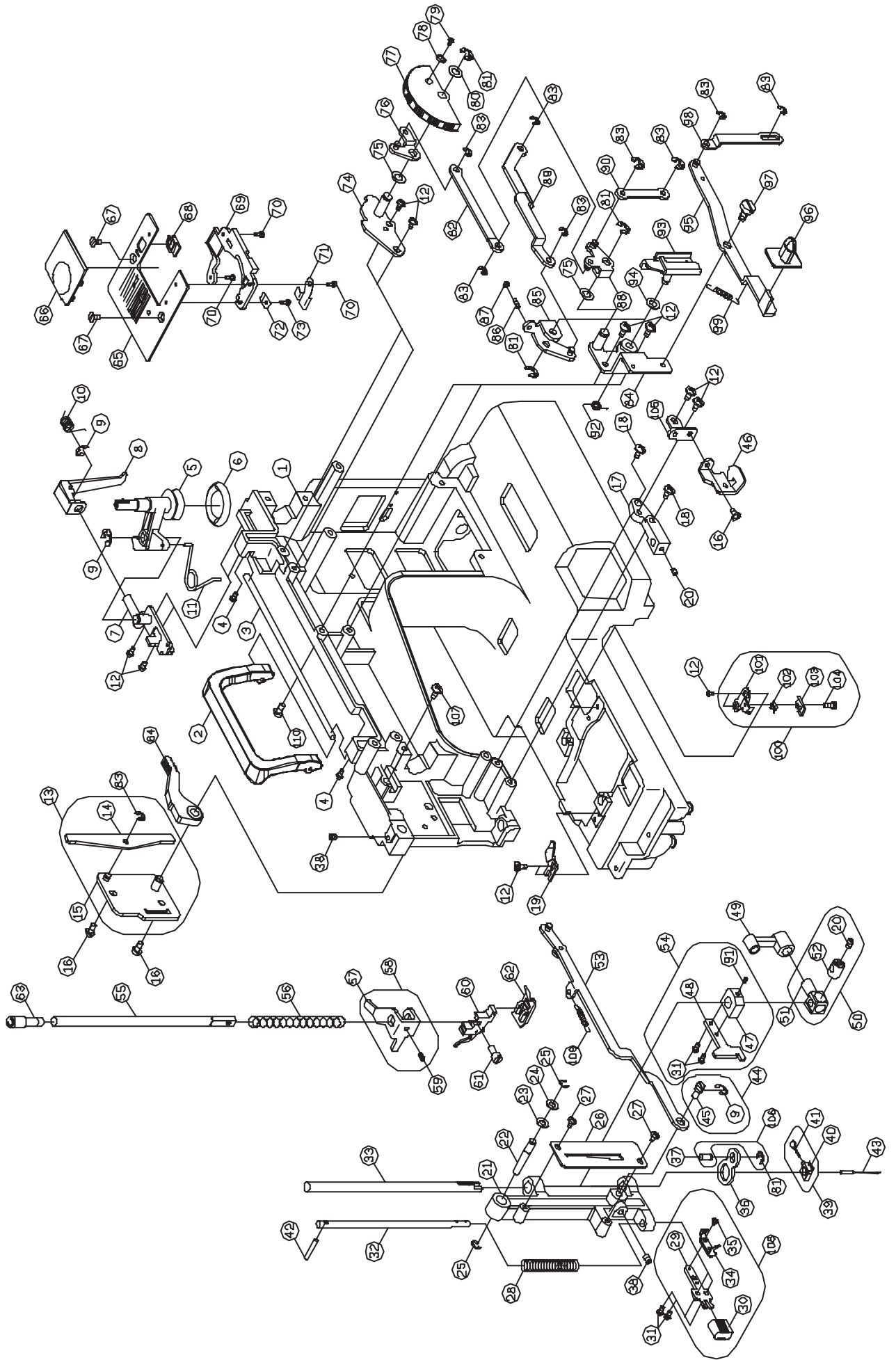
No.	Part No.	Description
1	416 20 09-01	Back cover
2	416 11 92-01	Set screw (M3×6 A)
3	416 18 48-01	Set screw (M3×8)
4	416 19 92-01	Bobbin winder thread guide disc
5	416 19 90-01	Thread guide complete
6	416 19 93-01	Bobbin winder thread guide complete
7	N/S	Bobbin winder thread guide adjusting
8	N/S	Bobbin winder thread guide spring
9	N/S	Bobbin winder spring disc
10	N/S	Bobbin winder thread guide
11	N/S	Spacer
12	416 11 60-01	E-Ring (ETW-3)
13	416 14 45-01	Arm back cover set plate
14	416 11 96-01	Set screw (M3×8.5)
15	416 17 40-01	Set screw (9/64×40×16)
16	416 19 89-01	Spool rod
17	416 12 04-01	Set screw (M3×1.06B)
18	416 12 63-01	Nut (9/64×40 t=3)
19	416 14 66-01	Bobbin winder stopper
20	416 18 64-01	Washer (4.1×8×1)
21	416 12 30-01	Set screw (M4)
22	416 20 08-01	Dial tension complete
23	N/S	Dial tension supporter plate cover
24	416 19 87-01	Thread guide
25	416 19 86-01	Thread take spring
26	N/S	Washer (3.2×10.5×0.5)
27	N/S	Dial tension supporter plate complete
28	416 11 75-01	Spring pin (ø3×10×0.6)
29	N/S	Dial tension waft plate
30	416 11 61-01	E-Ring (ETW-4)
31	416 14 63-01	Dial tension disc
32	416 15 36-01	Dial tension disc (1)
33	416 15 67-01	Dial tension spring regulator
34	416 15 59-01	Dial tension spring
35	416 15 38-01	Dial tension regulator
36	N/S	Dial tension spring plate
37	N/S	Dial tension knob
38	416 18 62-01	Washer (5.2×10×0.2)
39	416 12 60-01	Washer (WW-5)
40	416 20 11-01	Front cover
41	416 14 44-01	Arm front cover set plate
42	416 20 04-01	Front table
43	416 20 14-01	Face plate
44	416 17 25-01	Thread cutter
45	416 11 67-01	CS-ring (CSTW-5)
46	416 12 31-01	Set screw (M4×0.7 L12)
47	416 19 98-01	Heat resistant plate
48	416 19 99-01	Free arm base
49	416 14 91-01	Plug
50	416 20 01-01	Sewing table complete
51	N/S	Sewing table body
52	N/S	Sewing table body cover
53	416 15 06-01	Sewing table body guide spring
54	416 15 07-01	Sewing table body guide spring
55	416 14 49-01	Sewing table body felt
56	416 20 00-01	Free arm foot bush
57	N/S	Set screw (M3×6 D)
58	416 12 15-01	Set screw (M4×8 A)
59	416 18 52-01	Set screw (M4×10)
60	416 19 82-01	Free arm foot
61	416 18 57-01	Set screw (M6×10 B)
62	416 15 29-01	Free arm base cushion rubber
63	416 19 88-01	BH cover
64	416 12 16-01	Set screw (M4×12 B)
65	416 12 12-01	Set screw (M4×6 B)

B



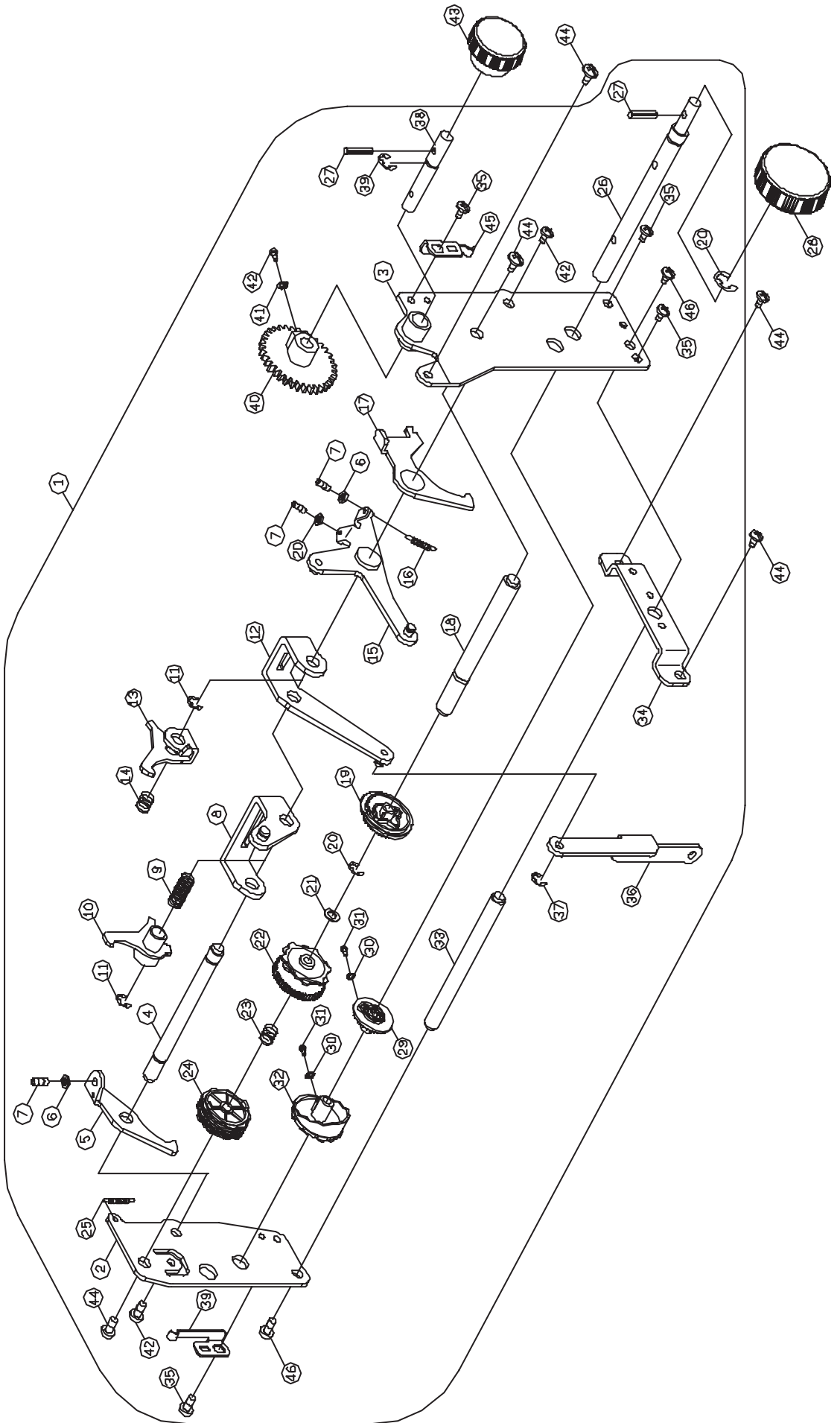
No.	Part No.	Description
1	416 18 78-01	Thread take up lever
2	416 15 79-01	Thread take up lever supporter
3	416 11 61-01	E-Ring (ETW-4)
4	416 16 22-01	Thread take up lever supporter shaft
5	416 12 92-01	Motor drive belt (B156XXL6.1)
6	416 12 15-01	Set screw (M4x8A)
7	416 15 80-01	Arm shaft balance pin complete
8	416 20 18-01	Arm shaft balance
9	416 12 21-01	Set screw (M4x6)
10	416 11 77-01	Arm shaft balance pin (ø3.5x24)
11	416 11 65-01	E-Ring (ETW-9)
12	416 15 63-01	Arm shaft bushing
13	416 18 84-01	Arm shaft bushing holder plate
14	416 12 51-01	Endure attrition washer
15	416 15 64-01	Arm shaft collar complete
16	416 12 36-01	Set screw (M5x5)
17	416 18 72-01	Motor drive belt (160XL031)
18	416 15 00-01	Arm shaft sprocket
19	N/S	Arm shaft worm complete
20	416 12 47-01	Washer (10.2x15x0.5)
21	416 14 85-01	Arm shaft drive belt pulley
22	416 18 81-01	Arm shaft
23	416 12 24-01	Set screw (M4x4 C)
24	416 11 76-01	Spring pin (ø3x18)
25	416 15 66-01	Arm shaft clutch annulus spring
26	416 15 67-01	Arm shaft collar
27	416 19 10-01	Hand wheel
28	416 12 44-01	Hand wheel washer (5.2x16x1.0)
29	416 18 28-01	Set screw (M5x10)
30	416 15 91-01	Hand wheel decorated plate
31	416 18 83-01	Arm shaft worm
32	416 15 65-01	Arm shaft collar
33	416 16 17-01	Arm shaft bushing holder plate

C

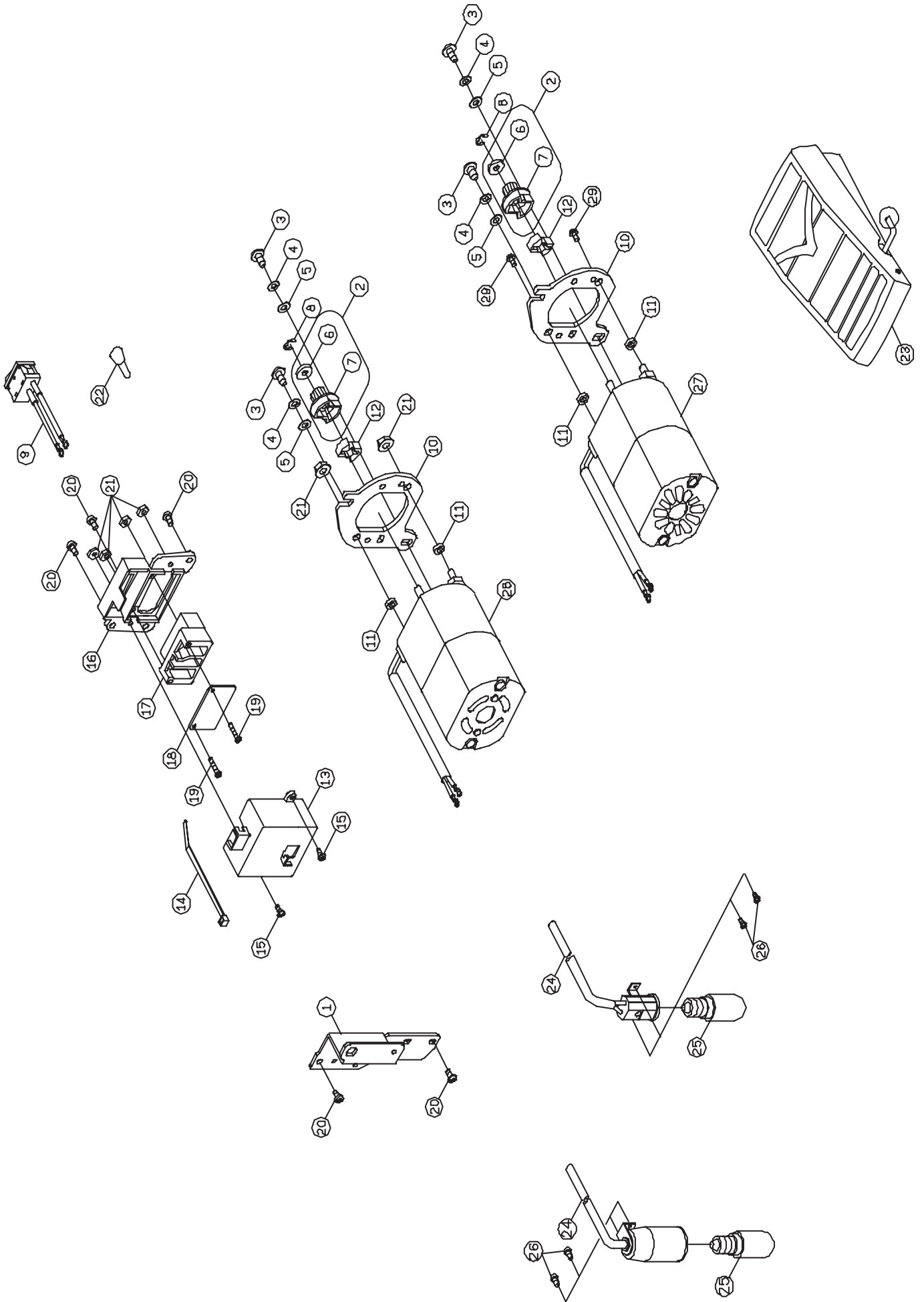


No.	Part No.	Description			
2	416 19 81-01	Handle	58	N/S	Presser bar bracket complete
3	416 19 80-01	Handle rod	59	416 12 21-01	Set screw (M4x6)
4	416 18 50-01	Set screw (M3.5x0.6)L8	60	416 12 90-01	Shank complete
5	416 16 97-01	Bobbin winder crank complete	61	416 18 42-01	Set screw (9/64x40x7.5)
6	416 14 92-01	Bobbin winder rubber pulley	62	416 18 71-01	Zig zag presser foot complete
7	N/S	Bobbin winder frame plate	63	416 20 10-01	Presser bar regulating screw complete
8	N/S	Clutch rod	64	416 18 88-01	Presser bar lifter lever
9	416 11 63-01	E-Ring (ETW-5)	65	416 19 09-01	Needle plate
10	N/S	Clutch rod spring	66	416 15 61-01	Needle plate cover
11	416 17 12-01	Bobbin winder crank spring	67	416 12 29-01	Set screw (M4x6)
12	416 12 12-01	Set screw (M4x6 B)	68	416 15 52-01	Needle plate cover open
13	416 18 85-01	Clamp setter complete	69	416 14 74-01	Needle plate cover
14	N/S	Untension link plate	70	416 18 29-01	Set screw (SM3/32x56 L3)
15	N/S	Clamp plate	71	416 14 75-01	Needle plate spring
16	416 12 15-01	Set screw (M4x8 A)	72	416 18 76-01	Needle plate cover plate
17	416 19 05-01	Needle bar supporter plate	73	416 18 41-01	Set screw(SM3/32x56 L=5)
18	416 12 11-01	Set screw (M4x10 B)	74	N/S	Zig zag width dial plate
19	416 14 40-01	Rotary hook plate	75	416 18 68-01	Washer (6.5x10.5x1.5)
20	416 12 24-01	Set screw (M4x4)	76	N/S	Zig zag width dial crank
21	416 18 92-01	Needle bar supporter	77	N/S	Zig zag width dial
22	416 18 93-01	Needle bar supporter pin	78	416 18 59-01	Washer (4.2x9x0.5)
23	416 18 69-01	Washer (WW-6)	79	416 12 16-01	Set screw (M4x12 B)
24	416 18 58-01	Washer (6.5x13x1)	80	N/S	Washer (6.2x12x0.6)
25	416 11 62-01	E-Ring (ETW-4)	81	416 11 61-01	E-Ring (ETW-4)
26	416 18 98-01	Threading guide	82	N/S	Zig zag width dial crank rod
27	416 11 92-01	Set screw (M3x6 A)	83	416 11 60-01	E-Ring (ETW-3)
28	416 19 00-01	Threading shaft spring	84	416 19 60-01	Zig zag width plate
29	416 19 02-01	Threading plate	85	416 19 62-01	Zig zag width crank
30	416 19 03-01	Threading button	86	416 12 27-01	Set screw (M4x0.7 L12)
31	416 18 44-01	Set screw (M2x4)	87	416 12 68-01	Nut (ALN-4)
32	416 18 99-01	Threading shaft	88	416 19 64-01	Zig zag width crank
33	416 18 94-01	Needle bar	89	416 19 67-01	Rod
34	416 19 04-01	Threading shaft complete	90	416 19 65-01	Zig zag width crank rod
35	416 18 43-01	Set screw (M1.6x3)	91	416 18 46-01	Set screw (M3x4 C)
36	416 19 06-01	Needle bar supporter	92	416 19 63-01	Zig zag width spring
37	416 14 13-01	Needle bar supporter plate pin	93	416 19 61-01	Zig zag width
38	416 12 10-01	Set screw (M4x5)	94	416 18 62-01	Washer (5.2x10x0.2)
39	416 15 03-01	Needle clamp complete	95	416 19 77-01	Reverse lever
40	N/S	Needle clamp	96	416 19 79-01	Reverse button
41	N/S	Needle clamp set screw	97	416 18 56-01	Set screw
42	416 18 40-01	Pin (o2x14)	98	416 19 78-01	Reverse rod
43	416 08 88-01	Needle 10x80	99	416 15 50-01	Spring
44	416 14 68-01	Needle bar driving rod pin complete	100	416 14 39-01	Rotary hook plate complete
45	416 14 67-01	Needle bar driving rod pin	101	416 14 41-01	Rotary hook plate (2)
46	416 19 07-01	Thread guide plate	102	416 14 99-01	Rotary hook plate spring (2)
47	416 18 96-01	Threading stopper	103	416 14 98-01	Rotary hook plate spring (1)
48	416 18 97-01	Threading stop holder	104	416 11 90-01	Set screw (M2x2.5)
49	416 20 17-01	Needle bar crank rod	105	416 19 08-01	Tension plate
50	416 15 08-01	Needle bar bracket complete	106	N/S	Needle bar supporter plate pin complete
51	416 15 11-01	Needle bar bracket (1)	107	416 18 54-01	Set screw (M4x10 A)
52	416 15 12-01	Needle bar bracket (2)	108	N/S	Threading plate complete
53	416 19 66-01	Needle bar driving rod	109	416 19 59-01	Needle bar driving rod spring
54	N/S	Threading stopper complete	110	416 12 17-01	Set screw (M4x15 B)
55	416 18 91-01	Presser bar			
56	416 18 77-01	Presser bar spring			
57	416 18 90-01	Presser bar bracket			

D

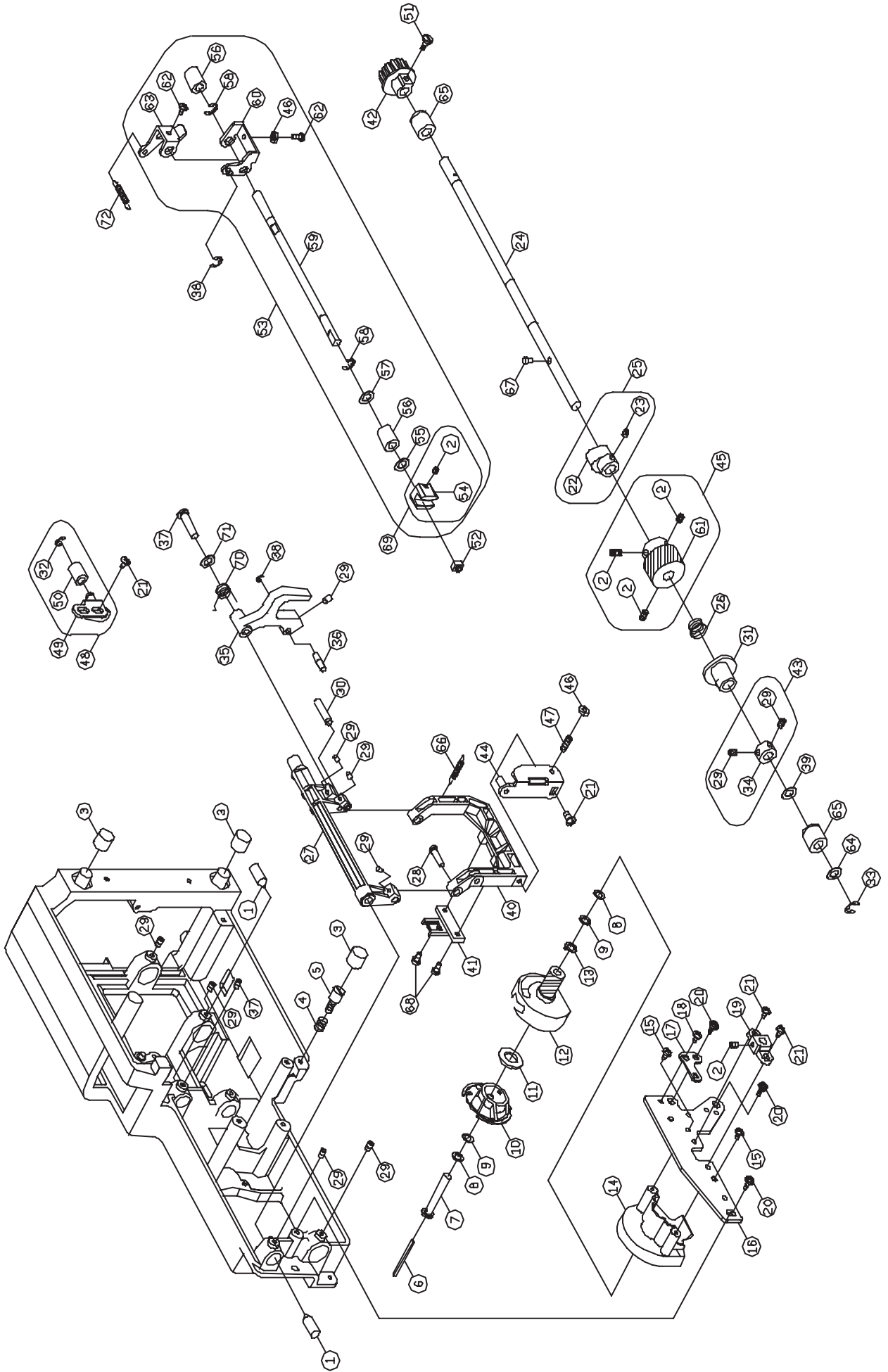


No.	Part No.	Description
1	416 19 33-01	Pattern cam contact complete
2	416 19 36-01	Pattern cam contact plate (back)
3	416 19 34-01	Pattern cam contact plate (front)
4	416 19 42-01	Contact supporter shaft
5	416 19 45-01	Zig zag release plate
6	416 12 68-01	Nut (ALN-4)
7	416 18 55-01	Set screw (M4×0.7)L9
8	416 19 43-01	Zig zag cam contact supporter
9	416 15 81-01	Zig zag cam contact spring
10	416 19 44-01	Zig zag cam contact
11	416 18 38-01	E-Ring (ETW-5)
12	416 19 46-01	SS cam contact supporter
13	416 19 47-01	SS cam contact
14	416 16 64-01	SS cam contact spring
15	416 19 48-01	Feed dial crank
16	416 18 73-01	BH Feed crank spring
17	416 19 49-01	BH Feed crank
18	416 19 37-01	Pattern cam shaft
19	416 19 38-01	Feed regulator cam
20	416 11 64-01	E-Ring (ETW-6)
21	416 18 65-01	Washer (8.2×12×0.5)
22	416 19 39-01	SS cam
23	416 19 41-01	Pattern cam spring
24	416 19 40-01	Pattern cam
25	416 18 79-01	Spring
26	416 19 51-01	Pattern selector cam shaft
27	416 18 39-01	Spring pin (ø2.5×16)
28	416 20 13-01	Pattern selector dial
29	416 19 54-01	BH Pattern selector cam
30	416 18 59-01	Washer (4.2×9×0.5)
31	416 18 52-01	Set screw (M4×10)
32	416 19 52-01	Pattern selector cam
33	416 19 50-01	Pattern cam contact supporter shaft
34	416 19 35-01	Pattern cam contact supporter plate
35	416 12 12-01	Set screw (M4×6 B)
36	416 19 58-01	Feed rock shaft
37	416 11 60-01	E-Ring (ETW-3)
38	416 19 56-01	Feed regulator dial shaft
39	416 19 53-01	Pattern fix spring plate
40	416 19 55-01	Feed regulator gear
41	416 18 61-01	Washer (3.2×8×0.8)
42	416 11 97-01	Set screw (M3×8 B)
43	416 20 15-01	Feed regulator dial
44	416 12 15-01	Set screw (M4×8 A)
45	416 25 83-01	Feed regulator fix plate
46	416 11 92-01	Set screw (M3×6 A)



No.	Part No.	Description	
1	416 19 73-01	Lamp receptacle plate	
2	416 11 45-01	Belt wheel complete	
3	N/S	Set screw (M5×12)	
4	416 12 62-01	Spring washer (5.1×9.2×1.3)	
5	416 12 43-01	Washer (5.4×10×0.9)	
6	N/S	Motor feed regulator collar	
7	N/S	Belt wheel	
8	416 11 60-01	E-Ring (ETW-3)	
9	416 11 50-01	Switch ass'y	
10	416 18 34-01	Motor bracket	
11	416 18 66-01	Washer (4.2×8×2.5)	
12	416 12 94-01	Cushion rubber	
13	416 18 75-01	Receptacle holder cover	
14	416 11 39-01	Cord clip	
15	416 11 97-01	Set screw (M3×8 B)	
16	416 22 43-01	Receptacle holder	
17	N/S	Receptacle	
18	N/S	Consent insulation plate	
19	N/S	Set screw (M3×20 B)	
20	416 12 15-01	Set screw (M4×8 A)	
21	416 12 64-01	Nut (M3 t=2.3)	
22	416 13 30-01	End terminal	
23	416 18 31-01	Foot controller (KD-2902) 220~240V	Europe
23	416 18 33-01	Foot controller (KD-1902) 100~120V	Japan/ USA/ Canada
23	416 18 37-01	Foot controller (KD-2902) 240V	Australia
23	416 11 27-01	Foot controller (KD-2902) 230 V	UK
24	416 18 35-01	Lamp Holder complete	
25	416 12 70-01	Lamp (240V 15W E-14)	
26	416 11 94-01	Set screw (M3×5B)	
27	416 18 30-01	Motor complete (NS-60) 230V	
28	416 18 32-01	Motor complete (HF-07150) 110V	
29	N/S	Set screw (M4×11.7)	

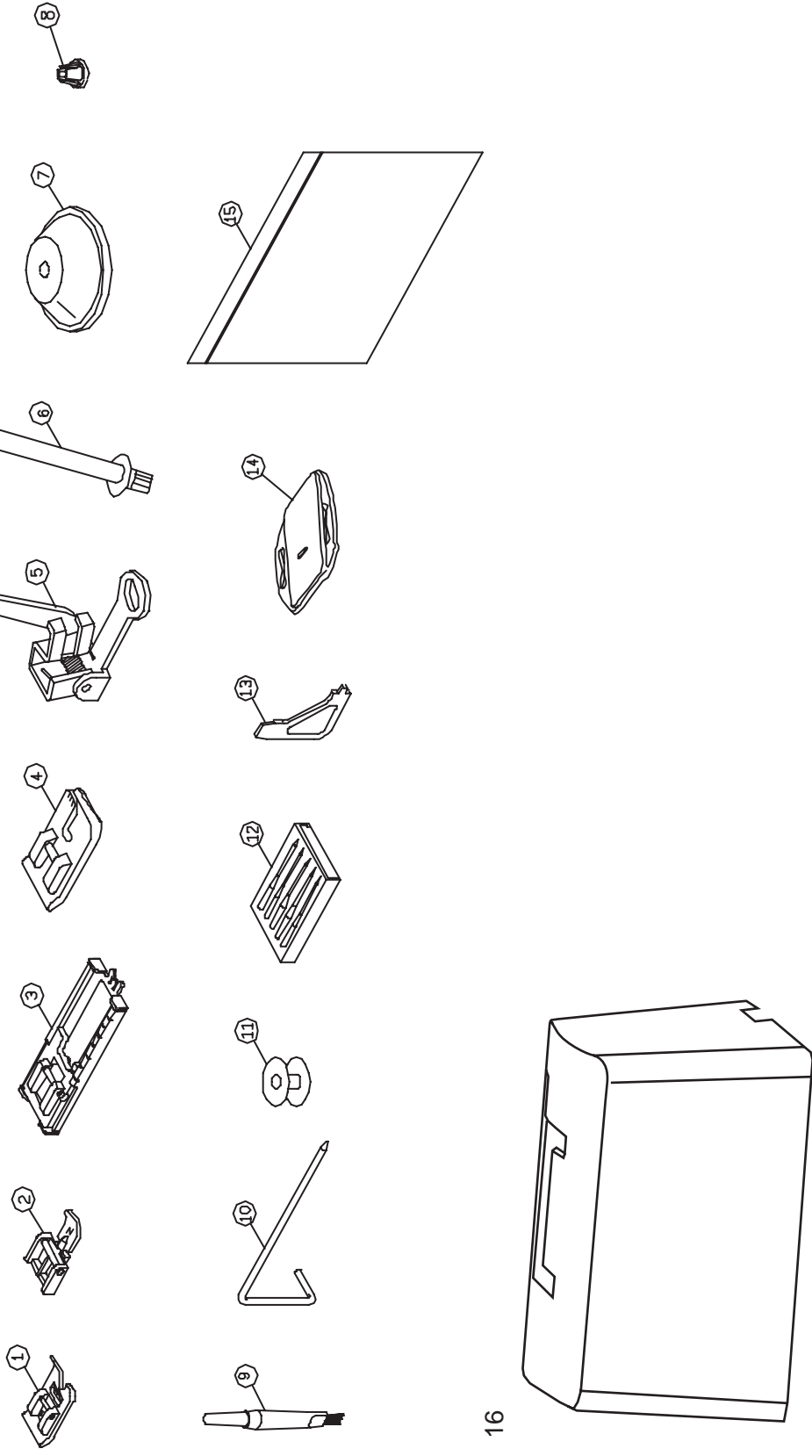
F



No.	Part No.	Description
1	416 19 28-01	Feed crank shaft
2	416 12 10-01	Set screw (M4x5)
3	416 15 29-01	Free arm base cushion rubber
4	416 14 73-01	Base plate adjustment screw spring
5	416 15 46-01	Base plate adjustment screw
6	416 15 58-01	Bobbin shaft oil cloth
7	416 14 54-01	Bobbin shaft
8	416 15 56-01	Bobbin shaft washer (2)
9	416 12 59-01	Endure attrition washer
10	416 14 80-01	Shuttle hook complete
11	416 15 55-01	Magnet
12	416 15 60-01	Shuttle hook holder
13	416 15 57-01	Bobbin shaft washer (3)
14	416 14 36-01	Needle plate cover
15	416 11 95-01	Set screw (M3x12)
16	416 19 17-01	Rotary hook holder
17	416 19 18-01	Rotary hook holder positioned plate
18	416 12 12-01	Set screw (M4x6 B)
19	416 14 34-01	Rotary hook supporter
20	416 12 26-01	Set screw (M4x8)
21	416 12 15-01	Set screw (M4x8 A)
22	416 20 05-01	Feed rock cam
23	416 12 24-01	Set screw (M4x4)
24	416 19 11-01	Lower shaft
25	N/S	Feed rock cam complete
26	416 19 14-01	Lower shaft spring
27	416 19 19-01	Feed rock shaft
28	416 19 21-01	Feed dog shaft
29	416 12 21-01	Set screw (M4x6)
30	416 14 27-01	Feed rock frame shaft (2)
31	416 19 12-01	Feed lifting rock cam
32	416 11 61-01	E-Ring (ETW-4)
33	416 11 64-01	E-Ring (ETW-6)
34	416 15 87-01	Lower shaft collar
35	416 19 24-01	Feed rock crank
36	416 19 26-01	Regulating block shaft
37	416 19 25-01	Feed rock shaft
38	416 11 60-01	E-Ring (ETW-3)
39	416 12 58-01	Endure attrition washer
40	416 19 20-01	Feed dog supporter
41	416 19 22-01	Feed dog
42	416 14 20-01	Lower shaft belt pulley
43	416 15 88-01	Lower shaft collar complete
44	416 19 23-01	Feed lifting rock crank
45	N/S	Lower shaft gear complete
46	416 12 68-01	Adjusting nut (ALN-4)
47	416 18 55-01	Set screw (M4x0.7 L9)
48	416 19 15-01	Belt adjusting plate complete
49	N/S	Belt adjusting plate
50	416 15 20-01	Belt adjusting plate pulley
51	416 12 05-01	Set screw (M3x14.5)
52	416 14 96-01	Feed regulating block
53	416 19 29-01	Feed regulating plate complete
54	416 14 97-01	Feed regulating
55	416 12 56-01	Endure attrition washer
56	416 15 69-01	Feed rock bushing
57	416 12 40-01	Washer (6.7x12x1)
58	416 11 66-01	E-Ring (ETW-5)
59	416 19 30-01	Feed regulating shaft
60	416 19 32-01	Feed regulating crank
61	416 19 72-01	Lower shaft gear
62	416 12 11-01	Set screw (M4x10B)
63	416 19 31-01	Feed crank
64	416 18 65-01	Washer (8.2x12x0.5)
65	416 14 17-01	Lower shaft bushing
66	416 19 27-01	Feed dog spring
67	416 19 13-01	Feed lifting rock com pin
68	416 18 50-01	Set screw (M3.5x0.6 L8)
69	416 13 62-01	Feed regulating complete
70	416 19 57-01	Feed rock crank spring
71	416 18 63-01	Washer (5.2x12x1)
72	416 18 74-01	Feed regulating crank spring
73	416 12 24-01	Set screw (M4x4)

G

Standard accessories



Standard accessories

No.	Part No.	Description
1	416 18 71-01	Zig zag foot (C)
2	416 12 87-01	Zipper foot (I)
3	416 18 70-01	Buttonhole foot
4	416 12 91-01	Quilting foot (P)
5	416 12 74-01	Darning /Embroidery foot
6	416 15 75-01	Second spool pin
7	416 15 71-01	Spool holder (Large)
8	416 15 76-01	Spool holder (Small)
9	401 53 99-01	Seam ripper
	401 55 55-01	Brush
10	416 12 71-01	Seam guide
11	416 12 76-01	Bobbin (3X)
12	416 08 88-01	Needle 10x80 Pack of needles
13	412 38 15-01	L-screw driver
14	416 22 39-01	Darning plate
15	416 12 72-01	Accessories bag
16	416 31 61-01	Hard case cover