

Select

2.0 3.0 4.0

2.2 3.2 4.2

150 th

Ersatzteile-Liste

List of spare parts

Liste des pièces détachées

Catalogo pezzi staccati

Lista de piezas de repuesto

Nicht nummerierte Teile im Katalog werden nicht geliefert.

The parts mentioned without number in the parts list are not available.

Les pièces qui ne sont pas numérotées dans la liste de pièces détachées ne peuvent être livrées.

Pezzi non catalogati non sono disponibili.

Las piezas de repuesto sin número en esta lista no se entregarán.

Bei Bestellung von Ersatzteilen muss die Modell-Nr. der Maschine, die Seitenzahl des Kataloges und die Teilenummer angegeben werden.
Die Verschleißteile-Nummern sind in der Teileliste unterstrichen.

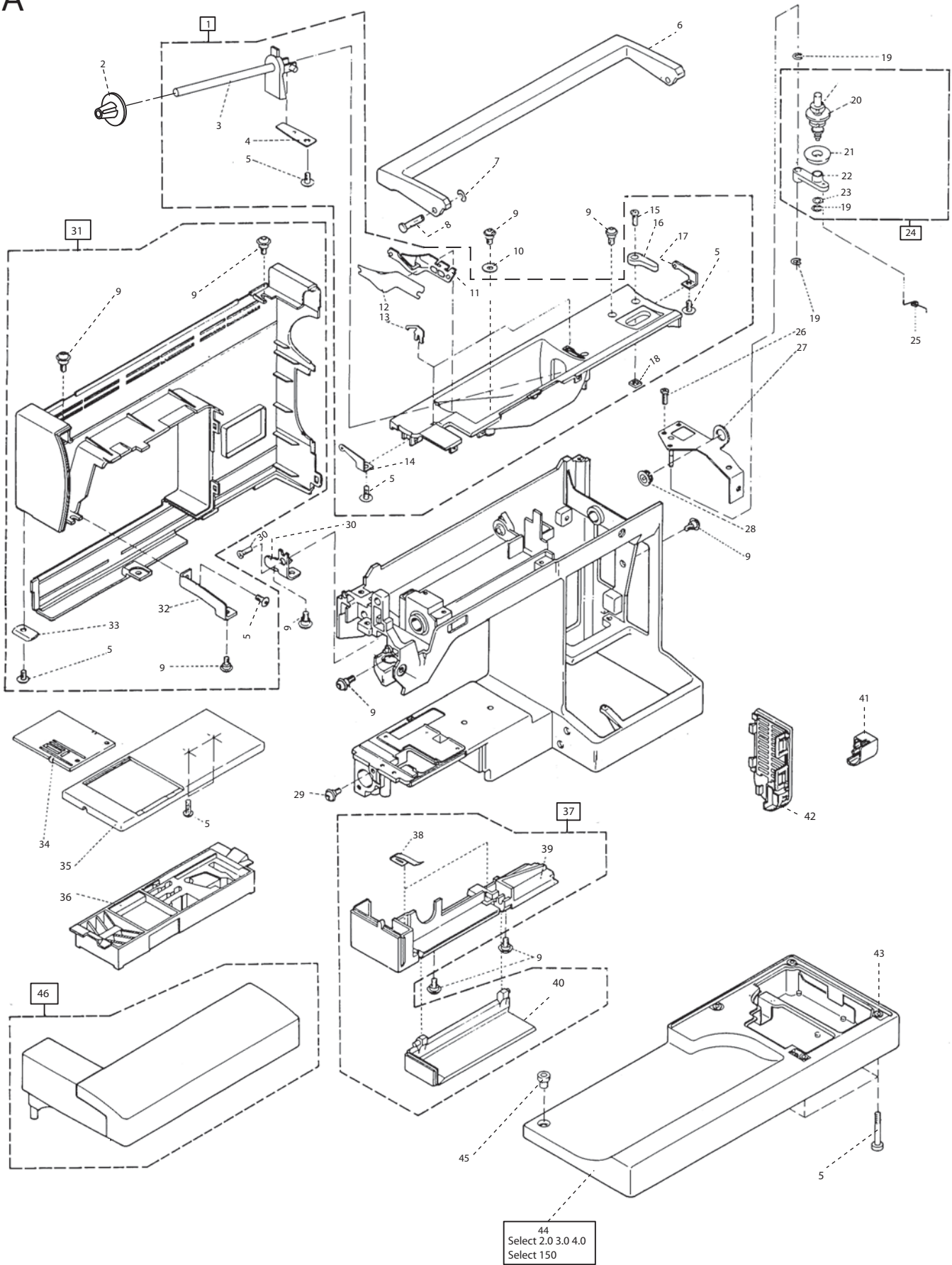
When ordering spare parts, please state the model number, the page number in the catalogue of spare parts and the number of the parts called for.
The wear and tear part numbers are underlined in the parts list.

Prière d'indiquer dans vos commandes de pièces de rechange, le numéro de la machine, le numéro de la page dans la liste des pièces détachées, ainsi que les numéros des pièces commandées.
Les numéros de pièces d'usure sont imprimés soulignés dans la liste des pièces.

La richiesta dei pezzi di ricambio deve contenere il modello della macchina, la pagina del catalogo e il codice del pezzo.
I codici dei pezzi d'usura sono quelli sottolineati nel catalogo.

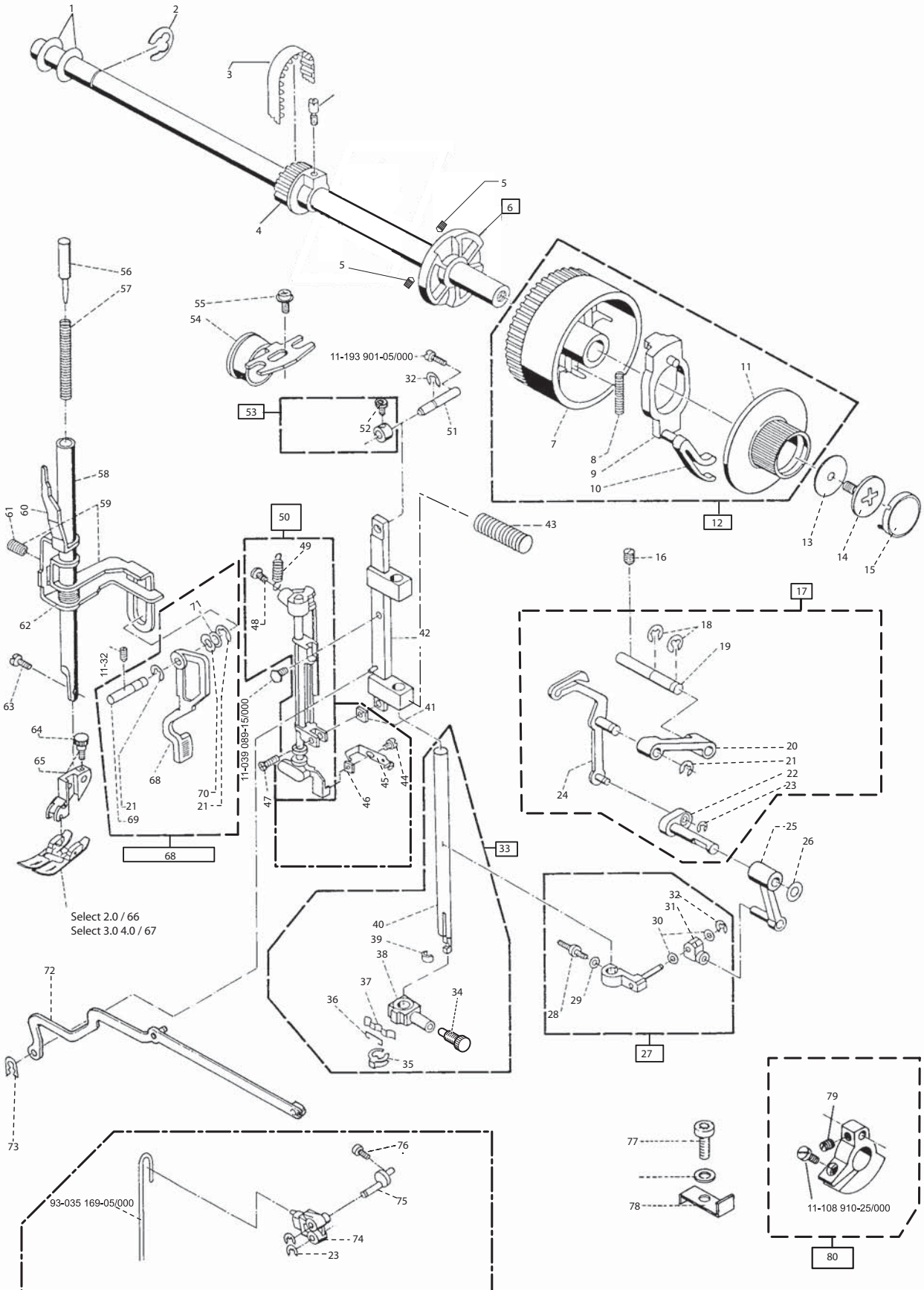
Al pedir piezas, sírvanse de indicar el número del modelo de la máquina, la página de la lista de piezas de repuestos y el número de la pieza deseada.
Los números de las piezas de desgaste están subrayadas en la lista.

A



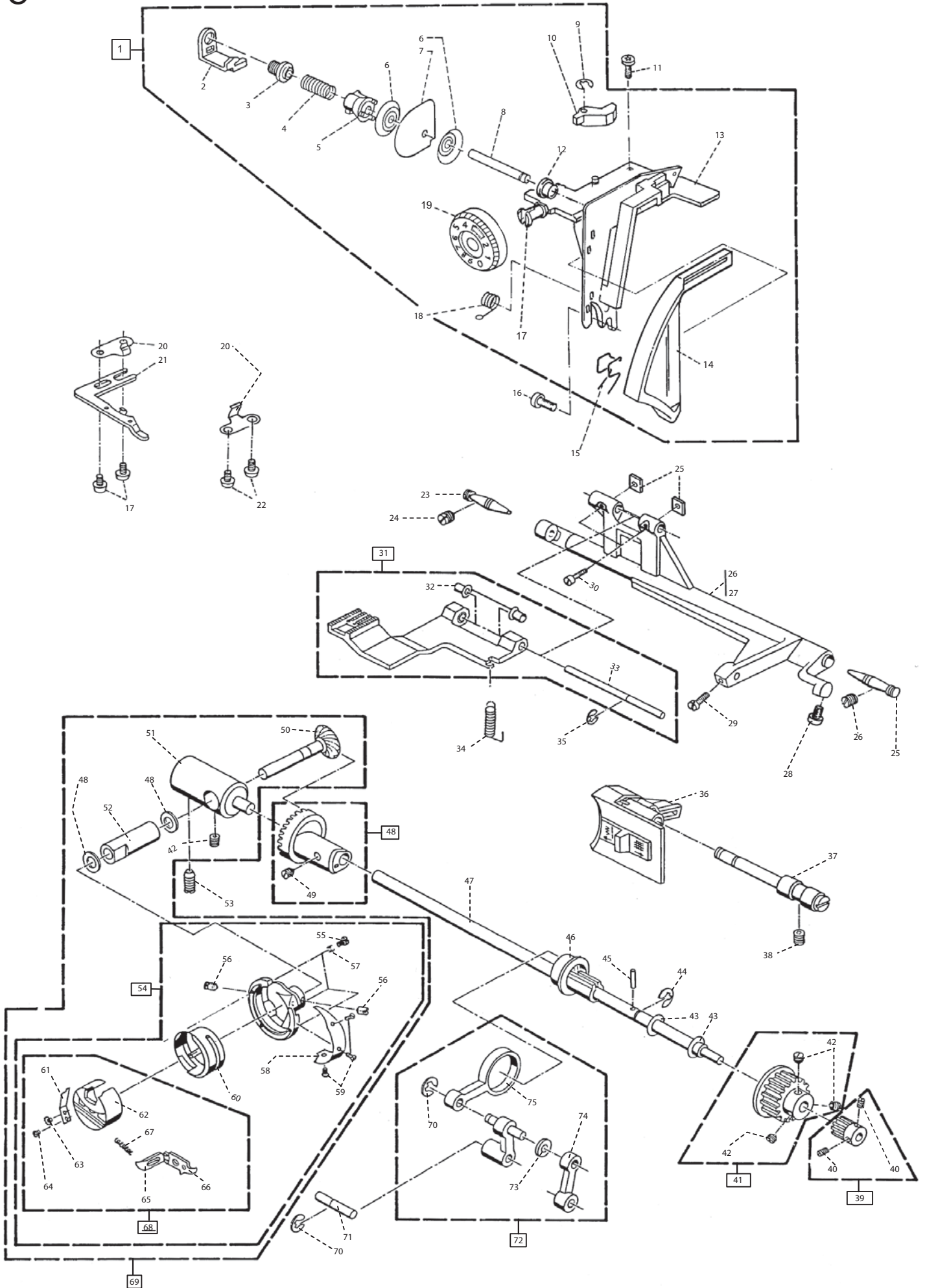
1	9303324591000	HOUSING INSERT CPL.
2	9303505044000	SPOOL HOLDER
3	9303305244000	SPOOL PIN
4	9303305405000	SPRING
5	9303311855000	SCREW 3*8
6	9303306544000	HANDLE
7	735310620	LOCK WASHER 2.3
8	9303506615000	SAFETY BOLT
9	9303314355000	SCREW WITH BARREL UNDER HEAD
10	9303519305000	SPRING WASHER
11	9303305535000	THREAD GUIDANCE
12	9303305605000	SPRING BENDED
13	9303305725000	THREAD GUIDE
14	N/S	ANGLE LEFT
15	1119009825000	SCREW ISO 7045 (DIN 7985)-M
16	9303305344000	STOP
17	9303306205000	ANGLE RIGHT
18	1209012105000	NUT DIN 562 M3
19	1264017055000	SCREW DIN 6799-5
20	9303311244000	BOBBIN WINDER SPINDLE
21	9310181505000	FRICITION RING, BOBBIN WINDING
22	9303003205000	BOBBIN JOINT
23	9324919900000	WASHER, BOBBIN WINDING
24	9303311191000	BOBBIN CPL.
25	9310175705000	TORSION SPRING
26	1172217255000	SCREW PN11722-M4*8
27	9303311091000	BRACKET CPL.
28	9303311345000	SLEEVE
29	9303314655000	RAISED CHEESE HEAD SCREW
30	9303314205000	ANGLE SHEET
31	413119301	BACK COVER CPL
31	413119302	BACK COVER CPL, SELECT 2.2-4.2
32	413113401	TOGGLE LINK
33	9303227205000	KNIFE
34	9303890935000	NEEDLE PLATE
35	9303311633000	TOP COVER, FREE-ARM
36	9303608133000	INLAY, ACCESSORY BOX
37	N/S	FREE ARM COVER CPL.
38	9303503315000	HINGE SPRING
39	N/S	COVER, FREE-ARM
40	N/S	LID, FREE-ARM
41	9303314544000	MOTOR KEY PRINTED
42	9303314033000	COVER, BUTTON GUIDE
43	N/S	COVER CPL.
44	9303303391000	BOTTOM COVER CPL.
44	413327601	BOTTOM COVER CPL BLACK
45	9303508195000	GUIDE BUSHING
46	9303307591000	EXTENSION PLATE CPL.

B



1	9303511105000	BUFFER DISK	57	9304020605000	COMPRESSION SPRING
2	1264023055000	WASHER DIN 679910	58	9303619505000	PRESSER BAR
3	9303512005000	CLEATED BELT 160 XL	59	9303656291000	GUIDE CPL.
4	9303511945000	CROWN WHEEL	60	9303619815000	LEVER
5	N/S	THREADED PIN	61	1131591705000	SET SCREW PH 11315B M6*0,75*6
6	9303510291000	ARM SHAFT CPL	62	9303519905000	COMPRESSION SPRING
7	9303210744000	HAND WHEEL	63	9303619615000	SCREW
8	9304028705000	COMPRESSION SPRING	64	9869488900000	SCREW
9	9304022545000	COUPLING PIECE	65	9869488600000	PRESSER FOOT HOLDER
10	9304022645000	CATCH LEVER	66	820258096	STANDARD PRESSER FOOT
11	9304022475000	BALANCE WHEEL THUMB DISK	67	820250096	STANDARD PRESSER FOOT W. IDT
12	9303210644000	HAND WHEEL CPL.	68	9303719071000	LEVER CPL.
13	9304073505000	WASHER	69	9303519205000	BOLT
14	9303610655000	FLAT HEAD SCREW	70	9303519305000	SPRING WASHER
15	9303610875000	CAP	71	N/S	WASHER DIN 9885X10X0,2
16	1131721805000	SET SCREW ISO 4766 M5*6	72	9303326391000	GUIDE CPL.
17	9303810291000	THREAD LEVER WITH ROCKING ARM	73	9304018415000	BENZING CLIP U93
18	1264017055000	SCREW DIN 6799-5	74	9303516545000	LINK
19	9303514105000	BOLT	75	9303516605000	SCREW, EXCENTRIC
20	9303514045000	FLOATING LEVER	76	N/S	SCREW N11193-B M3*7 A02
21	1264015055000	WASHER DIN 6799-4	77	1172143255002	SCREW D7500-BE M4*6
22	9303513791000	CRANK BOLT CPL.	78	9303516845000	LIMIT STOP
23	735310620	LOCK WASHER 2.3	79	1131593305000	SET SCREW PH 11315B M6*0,75*5
24	9303613291000	THREAD LEVER CPL.	80	9303512691000	CRANK CPL.
25	9303512991000	CONNECTING ROD CPL.			
26	9303512805000	BUFFER DISK			
27	9303615091000	CROSS HEAD CPL.			
28	9303615215000	CLAMPING BOLT TO CROSS HEAD			
29	9303615515000	DISK			
30	9303515505000	BUFFER DISK			
31	9303515105000	JOINT PIECE, FINISHED PART			
32	1264013055000	WASHER DIN 6799-3,2			
33	9303670171000	NEEDLE BAR CPL.			
34	9303412915000	NEEDLE FASTENING SCREW			
35	9303413015000	NEEDLE HOLDER CLIP			
36	9303413305000	THREAD RETAINER			
37	9303413125000	THREAD GUIDE			
38	9303412715000	NEEDLE HOLDER			
39	9303412805000	TRANSMITTING PIECE			
40	9303412605000	NEEDLE BAR			
41	1209090105000	NUT M3 DIN 562			
42	9303614691000	PENDULUM CPL. (FOR THE NEEDLE BAR)			
43	9303518305000	COMPRESSION SPRING			
44	1110800625000	SCREW DIN 84A M2*3			
45	9303617691000	THREADER HOOK			
46	1209008315000	NUT DIN 562 M2			
47	9303610915000	RAISED CHEESE HEAD SCREW			
48	9310564015000	RAISED CHEESE HEAD SCREW			
49	9303616605000	COMPRESSION SPRING			
50	9303616471000	NEEDLE THREADER CPL.			
51	9303518505000	PIN			
52	N/S	PAN HEAD SCREW WITH CRANK			
53	9303518611000	COLLAR CPL.			
54	9303611591000	ANGLE CPL WITH CLAMPING REEL			
55	1172222355002	SCREW PN 11722-M 5*10			
56	9304020715000	PIN			

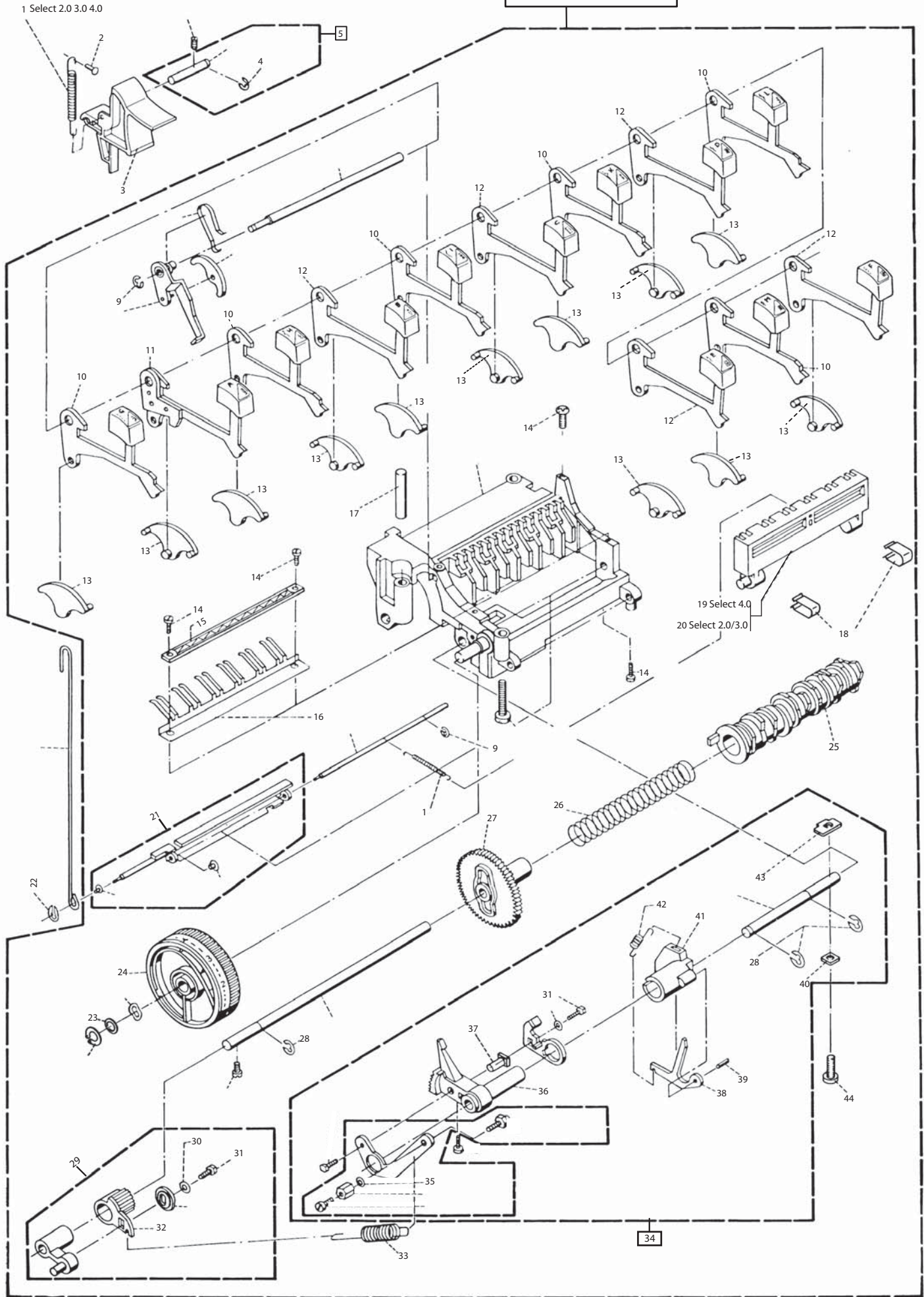
C



1	413132602	FRAME CPL, THREAD TENSION	55	412747701	SCREW HOOK CLAMP
1	413132503	THREAD TENSION CPL ,SELECT 2.2-4.2	56	412747901	SET SCREW HOOK
2	9303557515000	BRACKET, THREAD TENSION	57	412747601	SPRING HOOK CLAMP
3	9303557615000	BUSHING	58	412747501	CURVE THREAD GUIDE
4	9303758105000	COMPRESSION SPRING	59	N/S	
5	9303557745000	PRESSURE TRANSMITTER	60	412747002	BOBBIN CASE BRACKET CPL = HOOK CPL.
6	9303658225000	THREAD TENSION DISK, OUTER	61	412748601	SPRING THREAD TENSION 0,25 MM
7	9303758305000	THREAD TENSION DISK, MIDDLE	62	N/S	
8	9303757405000	SHAFT, THREAD TENSION	63	412749001	SCREW BOBBIN CASE
9	1261812045000	LOCKING WASHER PN 12618-3	64	412749101	SET SCREW
10	9303558445000	TRIGGER, THREAD TENSION	65	N/S	LEVER BOBBIN CASE
11	1172217225900	SCREW PN11722-M4*8 WITH WASHER	66	N/S	LATCH BOBBIN CASE
12	9303754345000	BEARING	67	412748901	SPRING LATCH
13	N/S	FRAME, THREAD TENSION	68	412748401	BOBBIN CASE CPL.
14	413110101	COVER, PASSING	69	9303230091000	HOOK BEARING CPL.
15	9303754505000	THREAD GUIDE, THREAD TENSION	70	1264015055000	WASHER DIN 6799-4
16	1172217255000	SCREW PN11722-M4*8	71	9303535905000	BOLT
17	413117001	PIN, THREAD TENSION	72	9303535591000	CONNECTING ROD CPL.
18	9303558705000	CHECK SPRING	73	1231514015000	WASHER DIN 4335,3
19	413119201	DIAL CPL, THREAD TENSION	74	9304035805000	LINK
20	413119202	DIAL CPL, THREAD TENSION, SELECT 2.2-4.2	75	9303535605000	ECCENTRIC ROD
20	9303508715000	PLATE SPRING			
21	9303531491000	BOBBIN CASE POSITION FINGER			
22	1172143255002	SCREW D7500-BE M4*6			
23	N/S				
24	1131721805000	SET SCREW ISO 4766 M5*6			
25	1209090105000	NUT M3 DIN 562			
26	N/S	SHEAR SHAFT WORKED ON, SELECT 3.0/4.0			
27	9303233405000	SHEAR SHAFT WORKED ON SELECT 2.0			
28	N/S	SCREW			
29	N/S				
30	N/S	SCREW N11193-B M3*7 A02			
31	9303634191000	FEEDER CPL.			
32	9303534445000	BEARING BUSHING			
33	N/S				
34	9303534705000	COMPRESSION SPRING			
35	1264013055000	WASHER DIN 6799-3,2			
36	9303532075000	LIFTING LEVER			
37	9303632305000	EXZENTER PIN			
38	1131591625000	SET SCREW N11315-B-M6*8			
39	9303536091000	GEAR WHEEL CPL.			
40	N/S	SET SCREW ISO 4766 M3*3			
41	9303638391000	STUDED DISK BELOW			
42	1131593005000	SET SCREW PH 11315B M6*0,75*3,5			
43	9303530605000	BUFFER DISK			
44	1264019055000	WASHER DIN 6799-6			
45	1305209415000	TIGHTENING PIN ISO 87502*10			
46	9303538245000	SLIDING ECCENTRIC			
47	9303537905000	HOOK DRIVING SHAFT			
48	9303531091000	BEVEL GEAR, DRIVING			
49	1131593305000	SET SCREW PH 11315B M6*0,75*5			
50	9303530491000	BEVEL WHEEL, DRIVEN			
51	9303530205000	HOOK BEARING			
52	9303830505000	BEARING BUSHING			
53	9303530805000	SET SCREW, TIPPED			
54	412747002	HOOK CPL.			

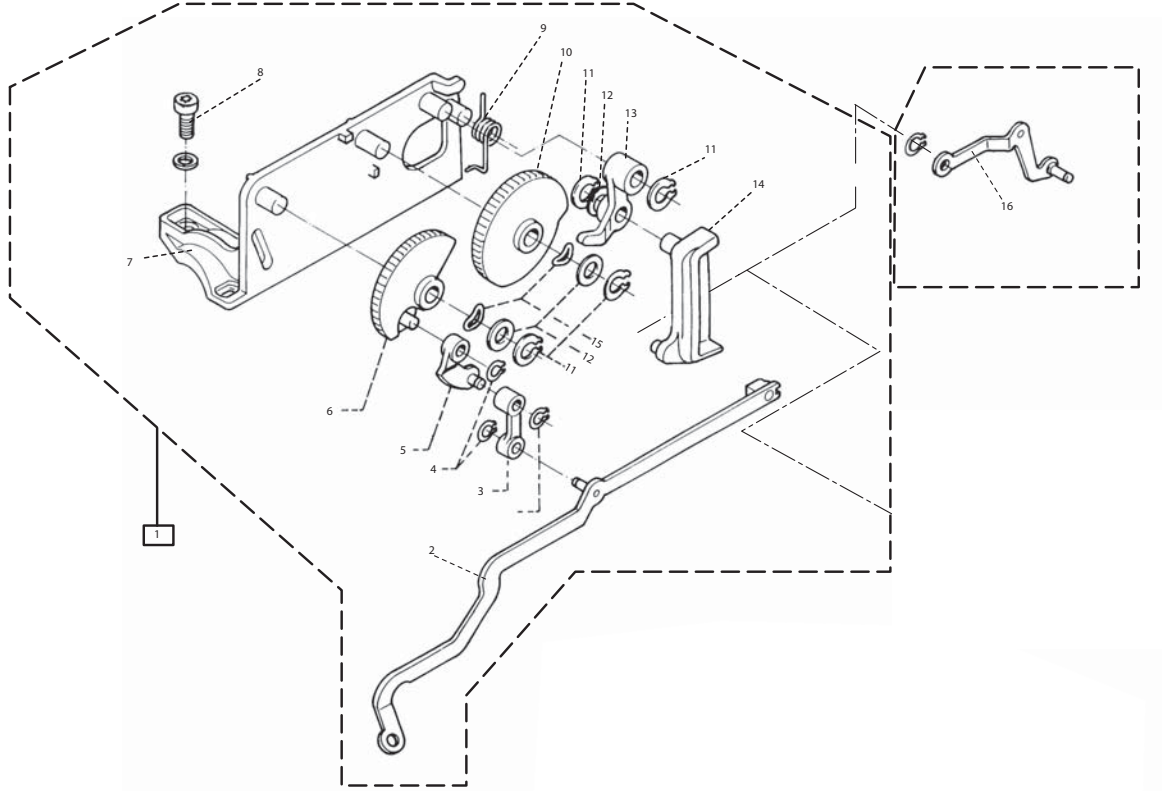
D

6	Select 2.0 , 2.2 , 3.2
7	Select 3.0
8	Select 4.0, 4.2 , 4.5
45	Select 150



1	9304065405000	COMPRESSION SPRING
2	1325010325000	GROOVED PIN ISO 87462*7
3	9303314444000	REVERSE LEVER
4	735310620	LOCK WASHER 2.3
5	N/S	PIN WITH WASHER CPL.
6	412970905	STITCH SELECT. MECH. CPL. 2.0
	412970909	STITCH SELECT. MECH. CPL. 2.2-3.2
7	412970906	STITCH SELECT. MECH. CPL. 3.0
8	412970907	STITCH SELECT. MECH. CPL. 4.0
	412970910	STITCH SELECT. MECH. CPL. 4.2
9	1264013055000	WASHER DIN 6799-3,2
10	9303318644000	PUSH BUTTON LEVER CPL.
11	9303318744000	PUSH BUTTON LEVER CPL.
12	9303318544000	PUSH BUTTON LEVER CPL.
13	9303562045000	FEELER LEVER
14	N/S	SHR N111728-F 3,5*10
15	9303264645000	BRACKET
16	9303264505000	SPRING PLATE
17	N/S	BUSH,3X
18	9303263205000	SPRING
19	9303663145000	PRESSURE KEY CATCH
20	9303263105000	PRESSURE KEY CATCH
21	9303569591000	SWING FRAME WITH BUSHING CPL.
22	9304018415000	BENZINGCLIP U93
23	N/S	WASHER
24	9303317544000	GRADUATED DIAL CPL
25	413062101	WINDING SHAFT
26	N/S	COMPRESSION SPRING
27	9303560745000	GEAR WHEEL WITH CURVE
28	1264019055000	WASHER DIN 6799-6
29	413131801	REGULATING CRANK CPL
30	1234005025000	WASHER DIN 6902-A3,2
31	1103909655000	SCREW ISO 4017-M3*8
32	9303536645000	REGULATING UNIT
33	9303564105000	HELICAL TENSION SPRING
34	N/S	SCANNING PIECE CPL.
35	1250512015000	SPRING DISK D137A3
36	9303463205000	SCANNING PIECE
37	N/S	BUSHING
38	N/S	LIMIT STOP
39	1305209415000	TIGHTENING PIN ISO 87502*10
40	9303263305000	WASHER
41	N/S	GUIDE
42	9303563405000	COMPRESSION SPRING
43	9303263405000	NUT
44	1119090955000	SCREW DIN 7985 M4*12
45	412970908	STITCH SELECT. MECH. CPL. 150

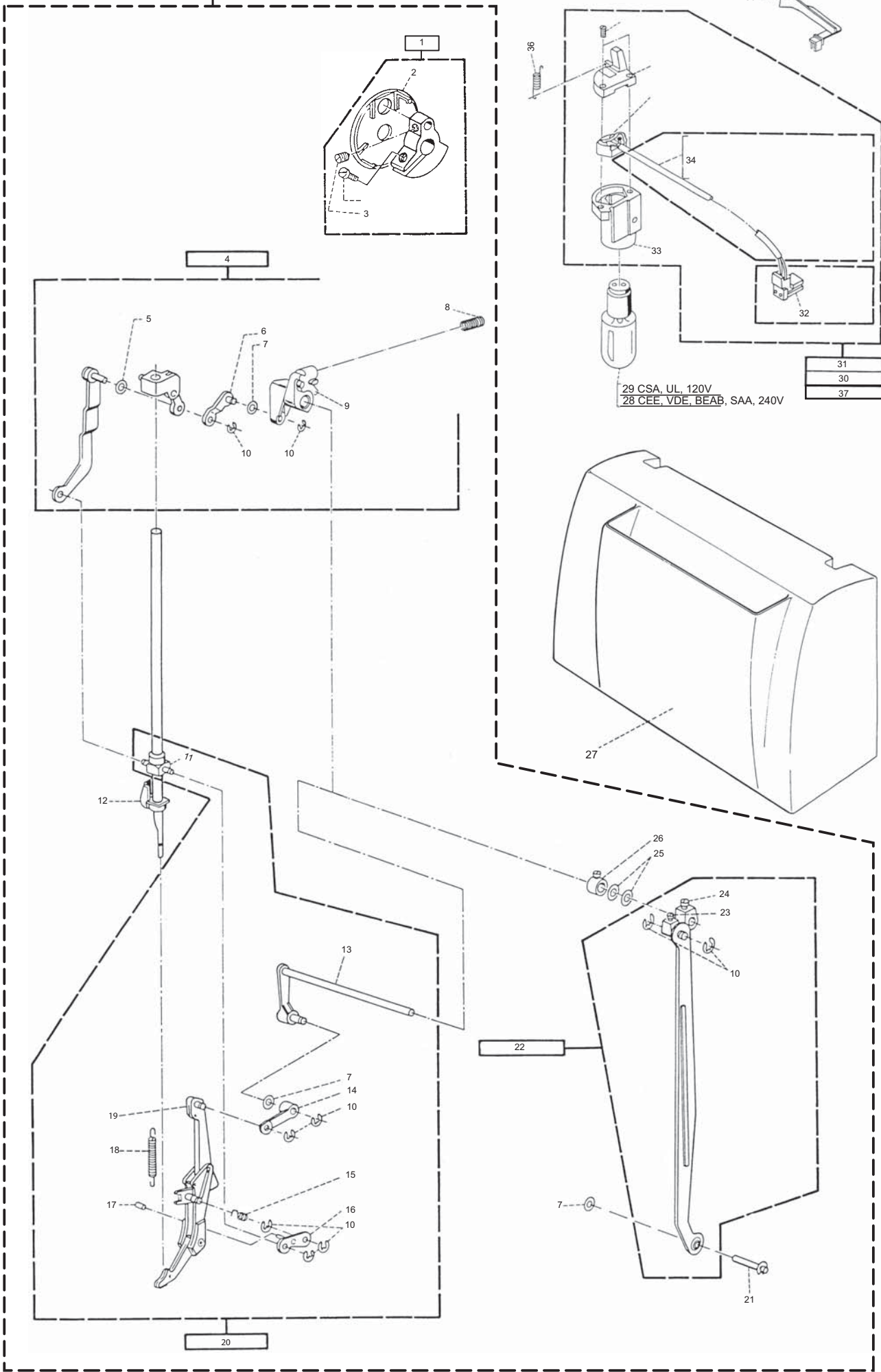
E



1	9303325091000	ZZ AGGREGATE
1	413391901	ZZ-AGGREGAT, SELECT. 2.2/3.2/4.2
2	9303326391000	GUIDE CPL.
3	9303326205000	LINK
4	N/S	RING 4*0,8 N12618
5	N/S	
6	9303325644000	ADJUSTING WHEEL PRINTED
7	9303325105000	SUPPORT
8	1172217255000	SCREW PN11722-M4*8 3X
9	9303325905000	TORSION SPRING
10	9303325344000	REGULATING DIAL PRINTED
11	1261819045000	RING PN126186
12	9220307705000	WASHER
13	9303325205000	COULISSE BEARING
14	N/S	COULISSE
15	1237000205000	CUP SPRING SHB N12370-6,2*9,8
16	9303327191000	CONNECTION ROD CPL.

F

Select 3.0 / 4.0

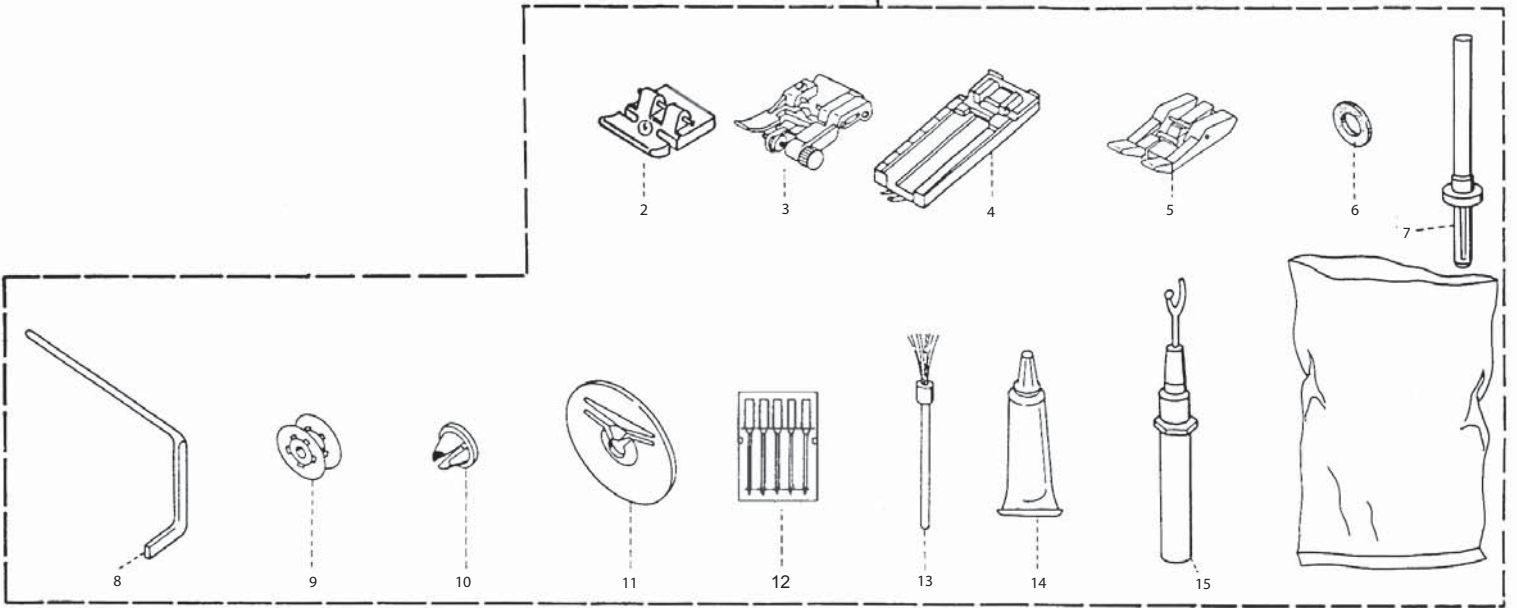


29	CSA, UL, 120V
28	CEE, VDE, BEAB, SAA, 240V
31	CSA, UL
30	CEE, VDE, BEAB, SAA
37	LED UNIT CPL.

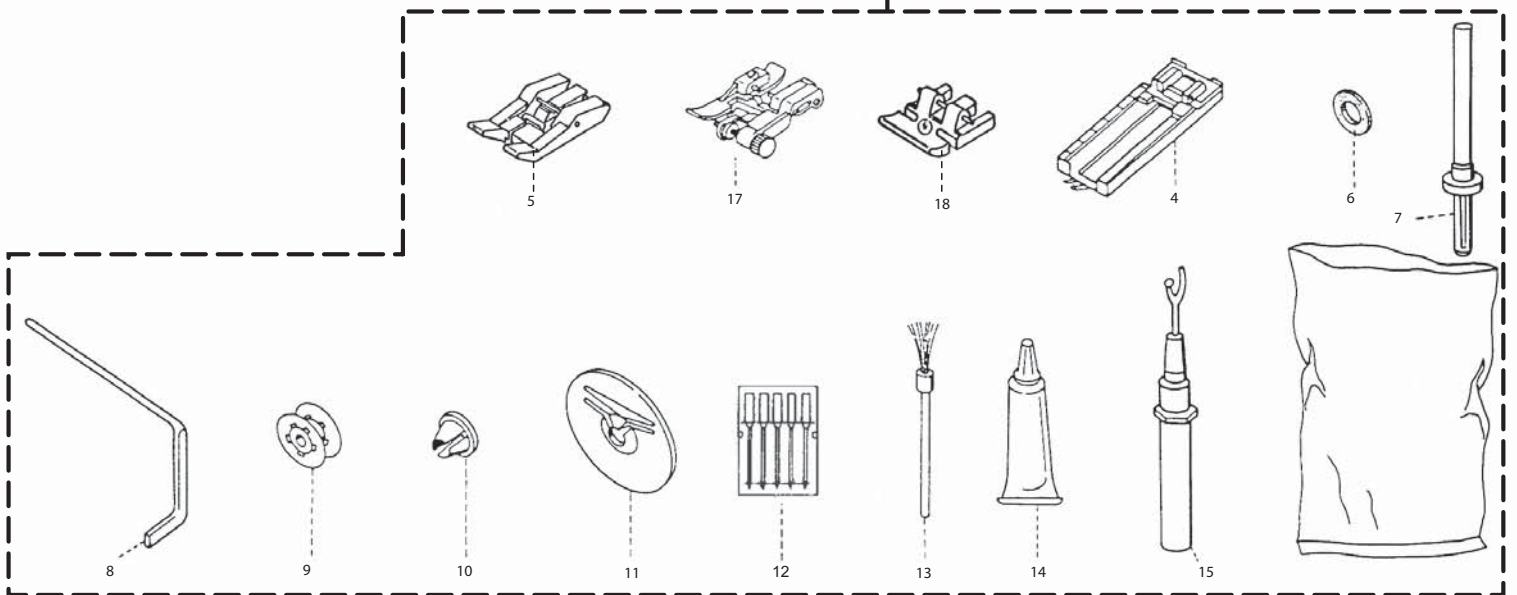
1	9303620391000	CRANK WITH FEED LIFTING
2	9303620445000	FEED LIFTING
3	1131593305000	SET SCREW PH 11315B M6*0,75*5
4	9303620591000	LIFTING GEAR CPL.
5	1236900105000	WASHER 4,6*6,7 PH12369
6	9303620601000	CONNECTING ROD CPL.
7	9303634845000	BUFFER DISK
8	9303620905000	COMPRESSION SPRING
9	9303621291000	FLOATING LEVER CPL.
10	1264013055000	WASHER DIN 6799-3,2
11	9303625705000	CROSS HEAD
12	9303625891000	GUIDE CPL.
13	9303622791000	SHEAR SHAFT WITH CRANK
14	9303622505000	LINK
15	9303624405000	TORSION SPRING
16	9303624991000	JOINT CPL.
17	9303625345000	HOSE
18	9303624015000	TENSION SPRING
19	9303623091000	LEVER
20	9303621791000	TRANSMISSION
21	9304029491000	BOLT CPL.
22	9303628591000	CONNECTING ROD CPL WITH CRANK
23	N/S	SCREW
24	1119390205000	SCREW AM4*5,5 N11193
25	9303530605000	BUFFER DISK
26	9303629791000	COLLAR CPL.
27	413119101	HARD COVER CPL
28	7025165061000	LAMP N72516A 24015
29	7025165031000	LAMP N72516A 12015
30	9023307924000	SEWING LAMP SAA
31	9023307943000	SEWING LAMP UL, CSA
32	N/S	
33	9232644491000	HOUSING CPL.
34	N/S	2X
35	N/S	CABLE GUIDANCE
36	9303403105000	TENSION SPRING
37	413391201	LED UNIT CPL

G

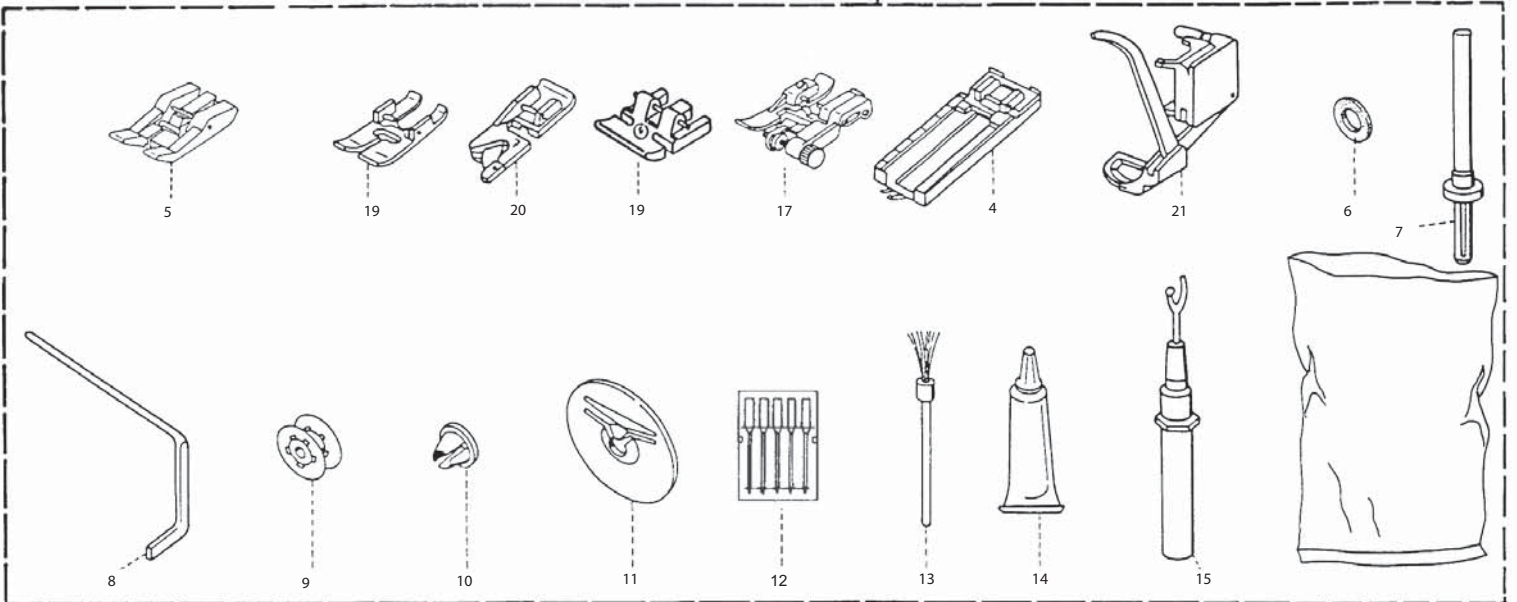
1 Select 2.0



16 Select 3.0

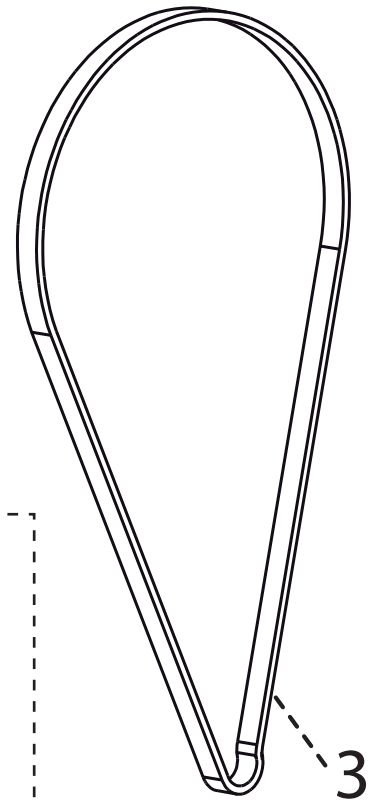
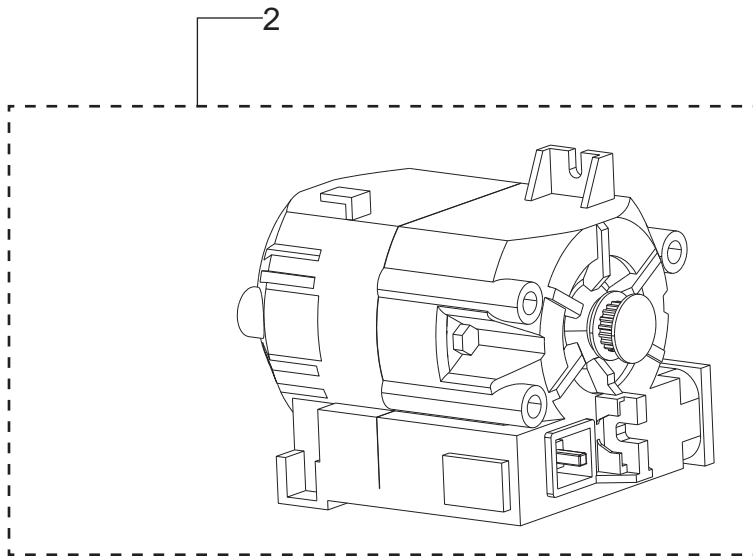
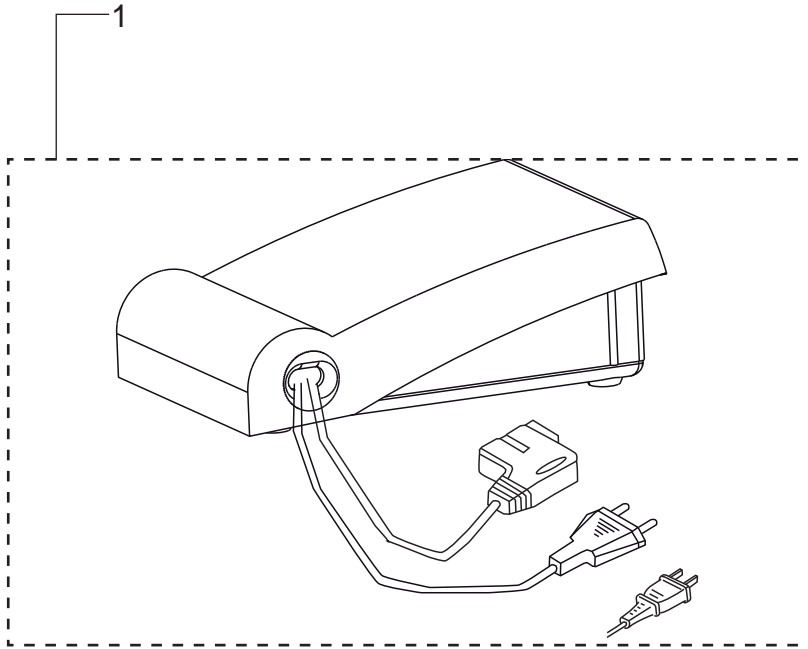


22 Select 4.0



1	9303390144000	STANDARD ACCESSORIES
2	N/S	ZIPPER FOOT
3	N/S	BLINDHEM FOOT
4	9303699091000	BUTTON HOLE FOOT
5	N/S	CLEARVIEW FOOT CPL
6	9303306405000	FELT WASHER
7	9303306344000	SPOOL PIN
8	820251096	EDGE GUIDE/QUILTING GUIDE
9	820779096	BOBBINS 10-P PFAFF BLUE
10	9303604844000	THREAD GUIDE WASHER
11	9303604944000	THREAD GUIDE WASHER
12	N/S	NEEDLE BOX, 5 NEEDLES
13	401555501	BRUSH
14	2992499381937	TUBE OF OIL
15	401539901	SEAM RIPPER
16	9303390344000	STANDARD ACCESSORIES
17	820256096	BLINDHEM/OVERLOCK FOOT W. IDT
18	820248096	ZIPPER FOOT W.IDT
19	820774096	FANCY STITCH FOOT WITH IDT
20	820778096	MAXI STITCH FOOT
21	820243096	DARNING FOOT
22	9303390244000	STANDARD ACCESSORIES
23	413330901	STANDARD ACCESSORY KIT SELECT150

H



Bulb lights machine

1	413116001	FOOT CONTROL CPL. 220/240V	For Bulb light machines
1	413116101	FOOT CONTROL CPL. 120V	For Bulb light machines
1	413116002	FOOT CONTROL CPL. 220/240V GB	For Bulb light machines
1	413116003	FOOT CONTROL CPL. 220/240V AUS	For Bulb light machines

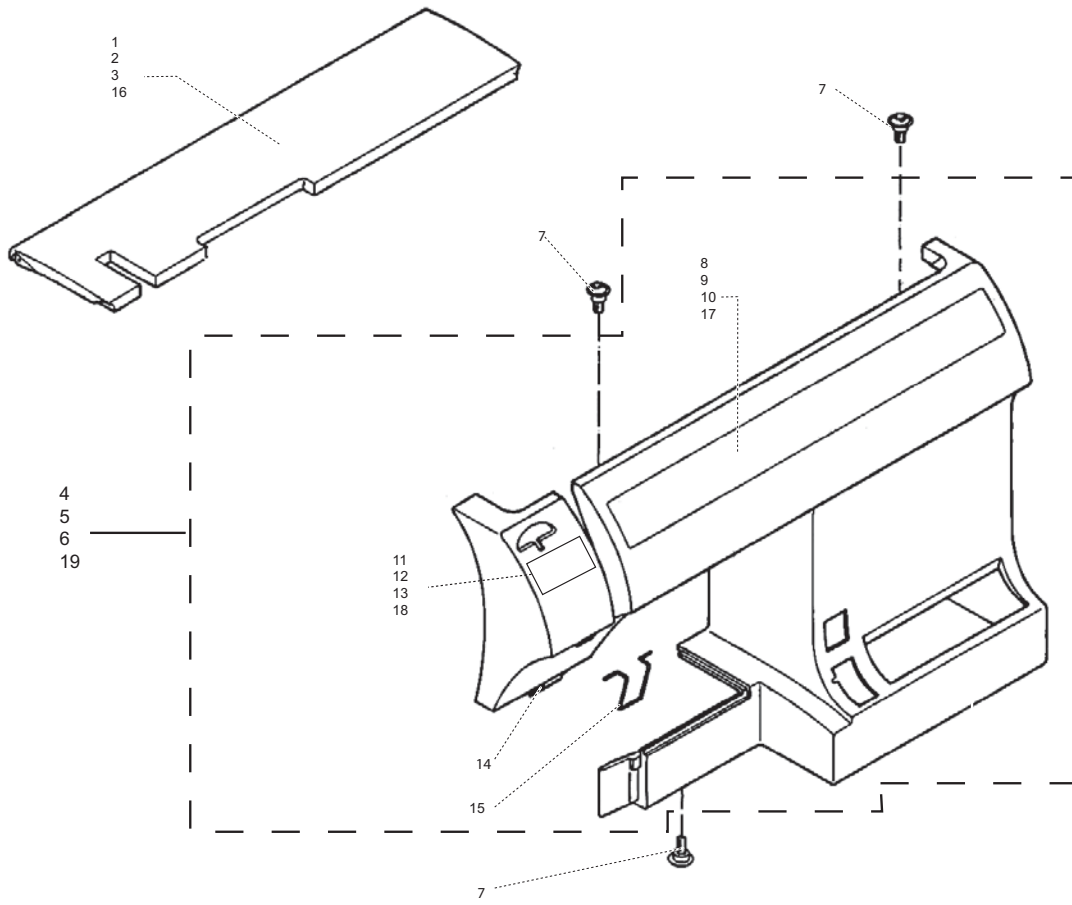
For LED light machines

1	413116007	FOOT CONT. CPL 220-240V EU BLACK	For LED light machines
1	413116008	FOOT CONT.CPL 220-240V GB,BLACK	For LED light machines
1	413116009	FOOT CONT. CPL220-240V AU BLACK	For LED light machines
1	413116103	FOOT CONTROL CPL 120V, BLACK	For LED light machines

2	413115801	MOTOR CPL. 220/240V
2	413115901	MOTOR CPL. 120V

3	9303512105000	Motor Belt Select
---	---------------	-------------------

I

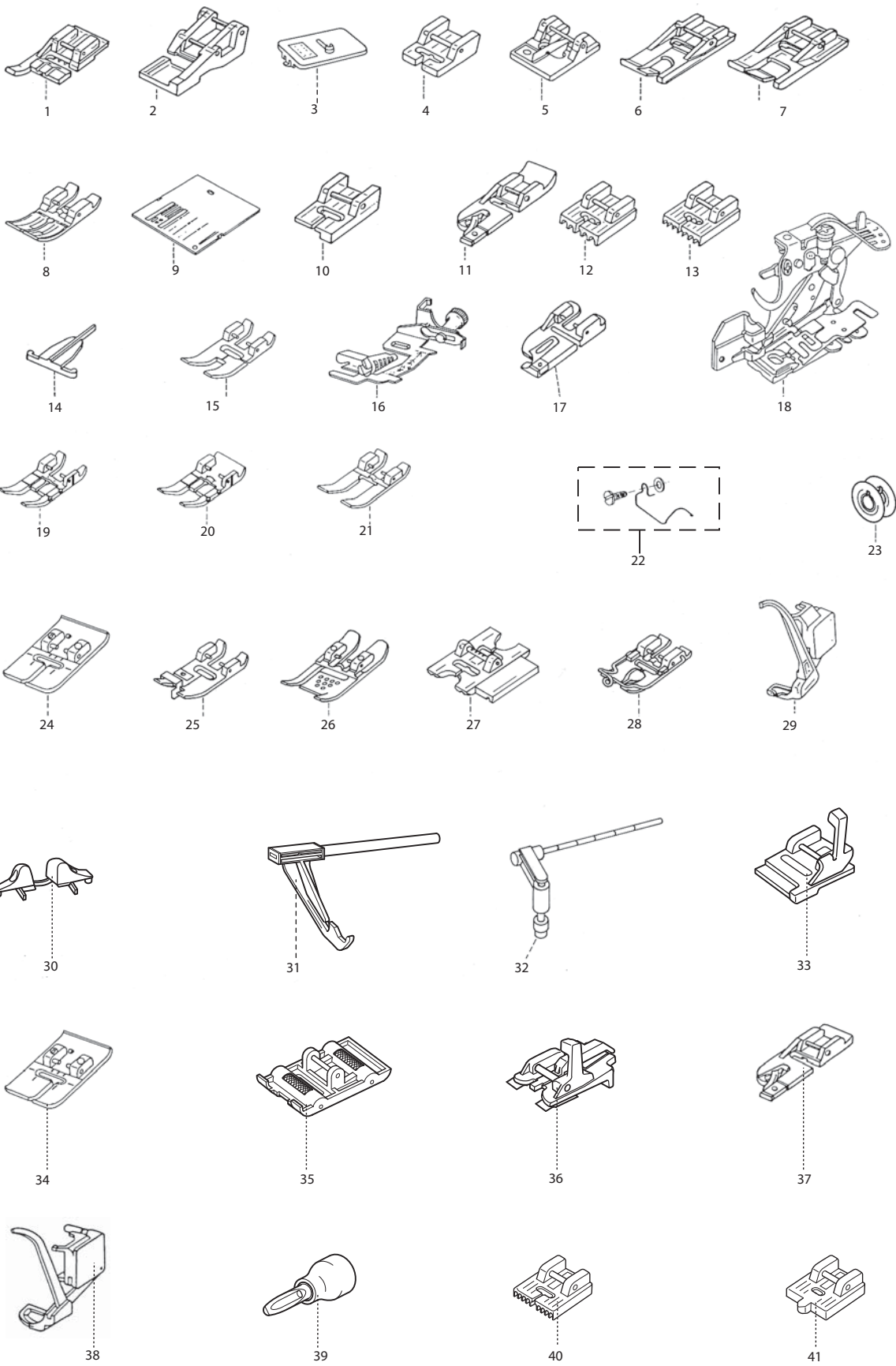


1	412970506	LID CPL, FRONT COVER SELECT 2.0
	412970510	LID CPL, FRONT COVER SELECT 2.1
2	412970507	LID CPL, FRONT COVER SELECT 3.0
	412970511	LID CPL, FRONT COVER SELECT 3.1
3	412970508	LID CPL, FRONT COVER SELECT 4.0
	412970512	LID CPL, FRONT COVER SELECT 4.2
4	413119001	FRONT COVER CPL SELECT 2.0
	413119005	FRONT COVER CPL SELECT 2.2
5	413119002	FRONT COVER CPL SELECT 3.0
	413119006	FRONT COVER CPL SELECT 3.2
6	413119003	FRONT COVER CPL SELECT 4.0
	413119007	FRONT COVER CPL SELECT 4.2
7	9303314355000	SCREW WITH BARREL UNDER HEAD
8	413121601	FRONT PANEL, SELECT 2.0
	413121605	FRONT PANEL, SELECT 2.2
9	413121602	FRONT PANEL, SELECT 3.0
	413121606	FRONT PANEL, SELECT 3.2
10	413121603	FRONT PANEL, SELECT 4.0
	413121607	FRONT PANEL, SELECT 4.2
11	413121801	SEWING HEAD PANEL, SELECT 2.0
11	413121805	SEWING HEAD PANEL, SELECT 2.2
12	413121802	SEWING HEAD PANEL, SELECT 3.0
12	413121806	SEWING HEAD PANEL, SELECT 3.2
13	413121803	SEWING HEAD PANEL, SELECT 4.0
13	413121807	SEWING HEAD PANEL, SELECT 4.2
14	9303310025000	THREAD RETAINER
15	413128301	THREAD GUIDE
16	412970509	LID CPL, FRONT COVER SELECT
17	413121604	FRONT PANEL, SELECT 150
18	413121803	SEWING HEAD PANEL, SELECT 150
19	413119004	FRONT COVER CPL SELECT 150

I

J

Sonderzubehör, Special accessories, Accessoires spéciaux, Accessori fuori corredo, accesorios especiales



1	820666096	THREE GROOVE CORDING FOOT CPL
2	N/S	SHIRring FOOT,PLASTIC
3	820274096	EYELET PLATE Ø6 MM
	820273096	EYELET PLATE Ø4MM
4	820214096	APPLIQUE FOOT CPL.
5	N/S	FRINGE PRESSER FOOT CPL.
6	N/S	FELLING FOOT 4,5 MM
7	N/S	FELLING FOOT 6,5 MM
8	N/S	STRAIGHT STITCH FOOT WITH ROUND NEEDLE HOLE CPL.
9	820276096	STRAIGHT STITCH NEEDLE PLATE
10	820790096	KNITEDGE/PIP./BEAD.FOOT CPL
11	820220096	ROLLED HEM FOOT 2MM CPL
12	820226096	FIVE GROOVE CORDING FOOT CPL
13	N/S	SEVEN GROOVE CORDING FOOT CPL.
14	N/S	PINTUCK BLADE CPL.
15	820664096	NON STICK FOOT WITH IDT CPL.
16	820245096	BIAS BINDER
17	820221096	ROLLED HEM FOOT 4MM W.IDT CPL.
18	820255096	RUFFLER ATTACHMENT
19	820926096	1/4 INCH QUILTING FOOT W. IDT
20	820212096	1/4 INCH QUILT FOOT CPL.
21	820215096	OPEN TOE APPL. FOOT, 6MM CPL
22	N/S	FINGER GUARD
23	N/S	BOBBIN, METAL 5PCS
24	N/S	NON STICK MAXI-STITCH EMBR.FOOT 9MM
25	820609096	NARROW EDGE FOOT CPL.
26	820608096	7/9 HOLE CORD FOOT CPL.
27	N/S	PINTUCK FOOT W. GUIDE 6MM CPL.
28	820607096	BRAIDING FOOT CPL.
29	820544096	OPEN TOE FREE MOTION FOOT
30	N/S	BRIDGING GUIDE 3MM A, 5MM CPL.
31	N/S	QUILTING GUIDE
32	820246096	CIRCULAR EMBROIDERY GUIDE
33	820668096	GATHERING FOOT METAL CPL.
34	820777096	NON STICK DEC.STITCH FOOT CPL.
35	820663096	ROLLER FOOT CPL.
36	820473096	SEW ON BUTTON FOOT
37	820249096	ROLLED HEM FOOT 3MM
38	820243096	DARNING FOOT
39	N/S	BULB REMOVER
40	820479096	PIN TUCK FOOT 9 GROOVES CPL.
41	820474096	INVISIBLE ZIPPER FOOT CPL.

PFAFF®

© 2013 Copyright VSM Group ABAll rights reserved

Technische Änderungen vorbehalten

Subject to alterations in design

Sous toute réserve de modifications techniques

Salvo modificaciones técnicas

Con riserva di modifiche tecniche