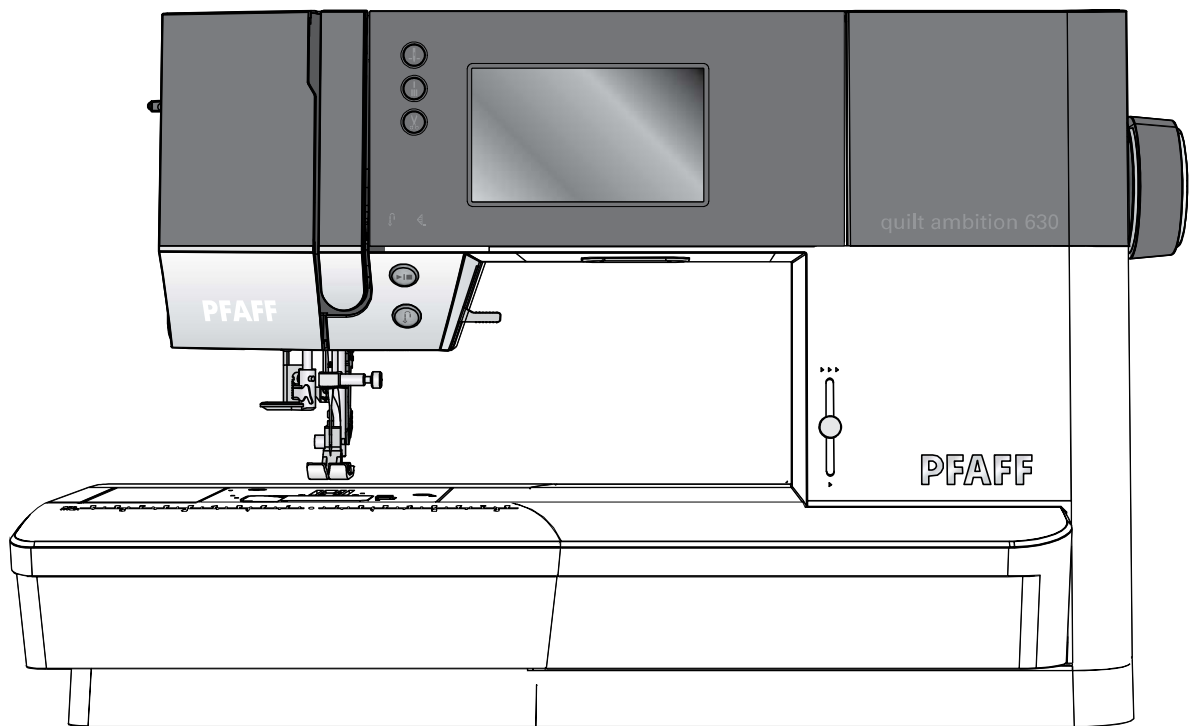


# PFAFF®

## Ambition 630

**Ersatzteile-Listt**  
**List of spare parts**  
**Liste des pièces détachées**  
**Catalogo pezzi staccati**  
**Lista de piezas de repuesto**





Please note that on disposal, this product must be safely recycled in accordance with relevant National legislation relating to electrical/electronic products. If in doubt please contact your retailer for guidance.



Bitte beachten Sie, dass hinsichtlich der Entsorgung dieses Produkts, vorschriftsmäßig entsprechend der gültigen nationalen Gesetzgebung für elektrische/elektronische Produkte, recycelt werden muss. Bei Zweifel setzen Sie sich bitte mit Ihrem Fachhändler in Verbindung.



Veuillez noter qu'en cas de destruction, ce produit doit bénéficier d'un recyclage sécurisé, conforme à la législation nationale applicable aux produits électriques/électroniques. En cas de doute, veuillez contacter votre distributeur agréé.

- All casted parts within our products are marked with name of material if allowed by size.
- All molded plastic parts within our products are marked with name of material if allowed by size.

---

Nicht nummerierte Teile im Katalog werden nicht geliefert.

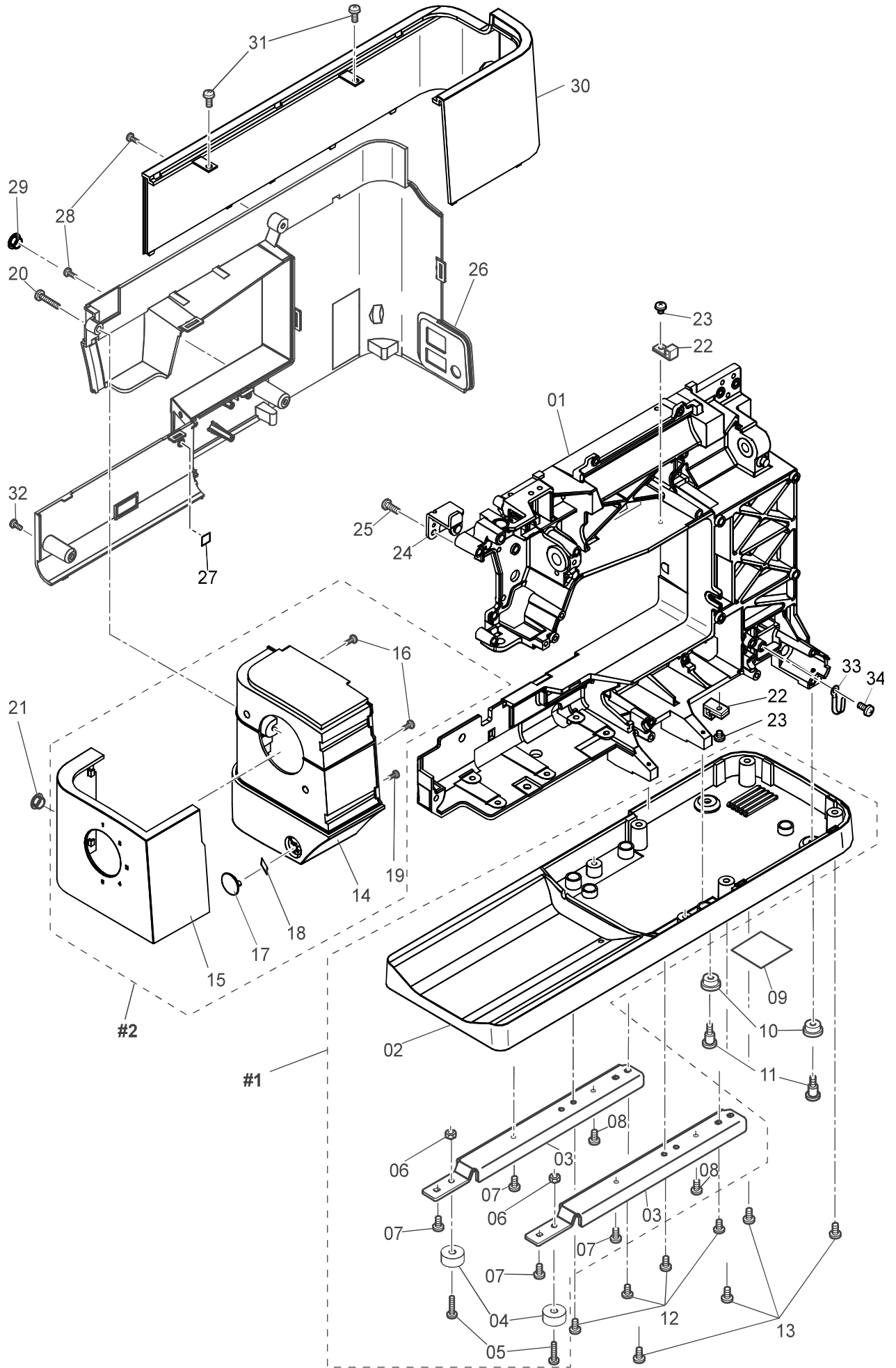
The parts mentioned without number in the parts list are not available.

Les pièces qui ne sont pas numérotées dans la liste de pièces détachées ne peuvent être livrées.

Pezzi non catalogati non sono disponibili.

Las piezas de repuesto sin número en esta lista no se entregarán.

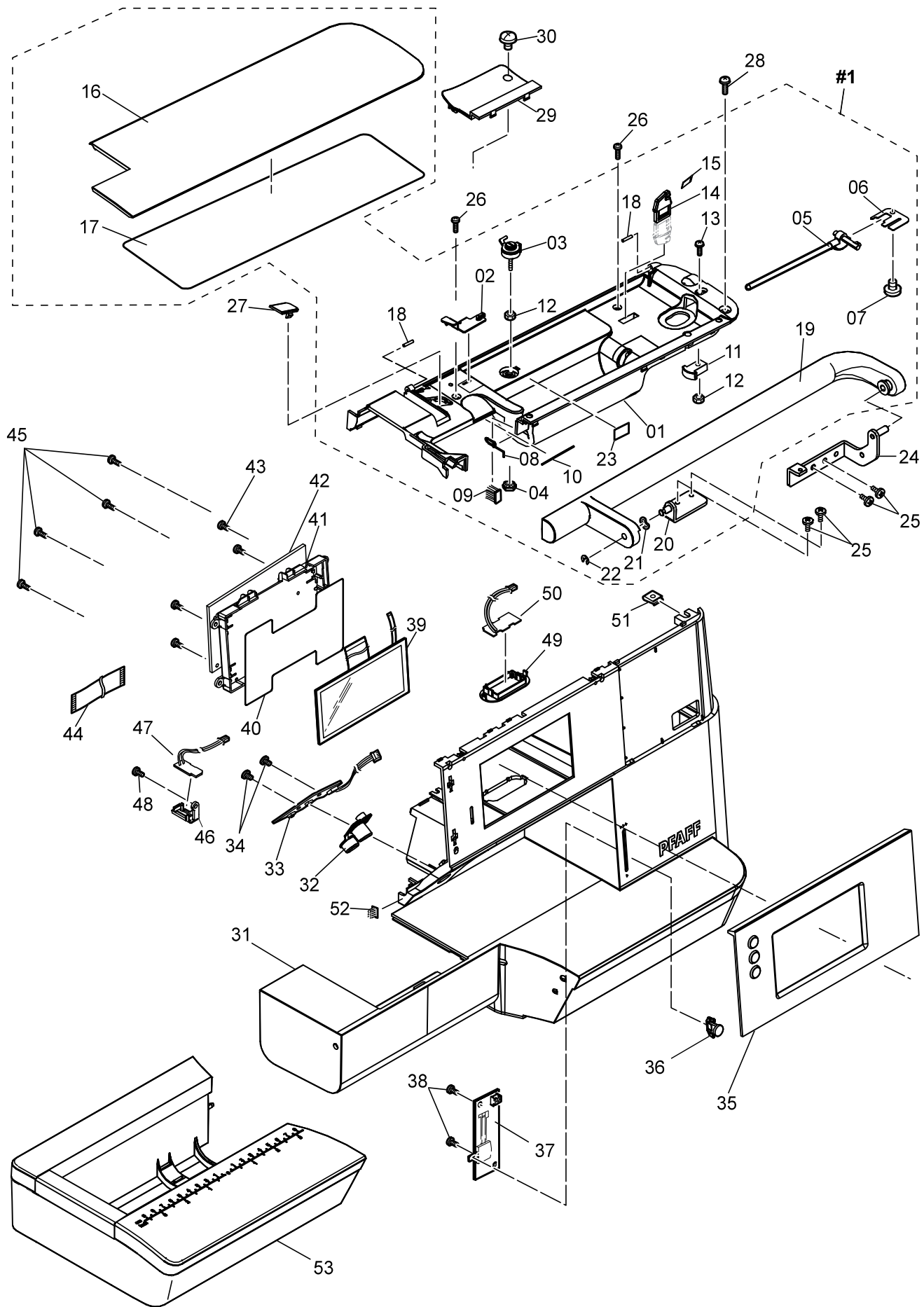
# A



---

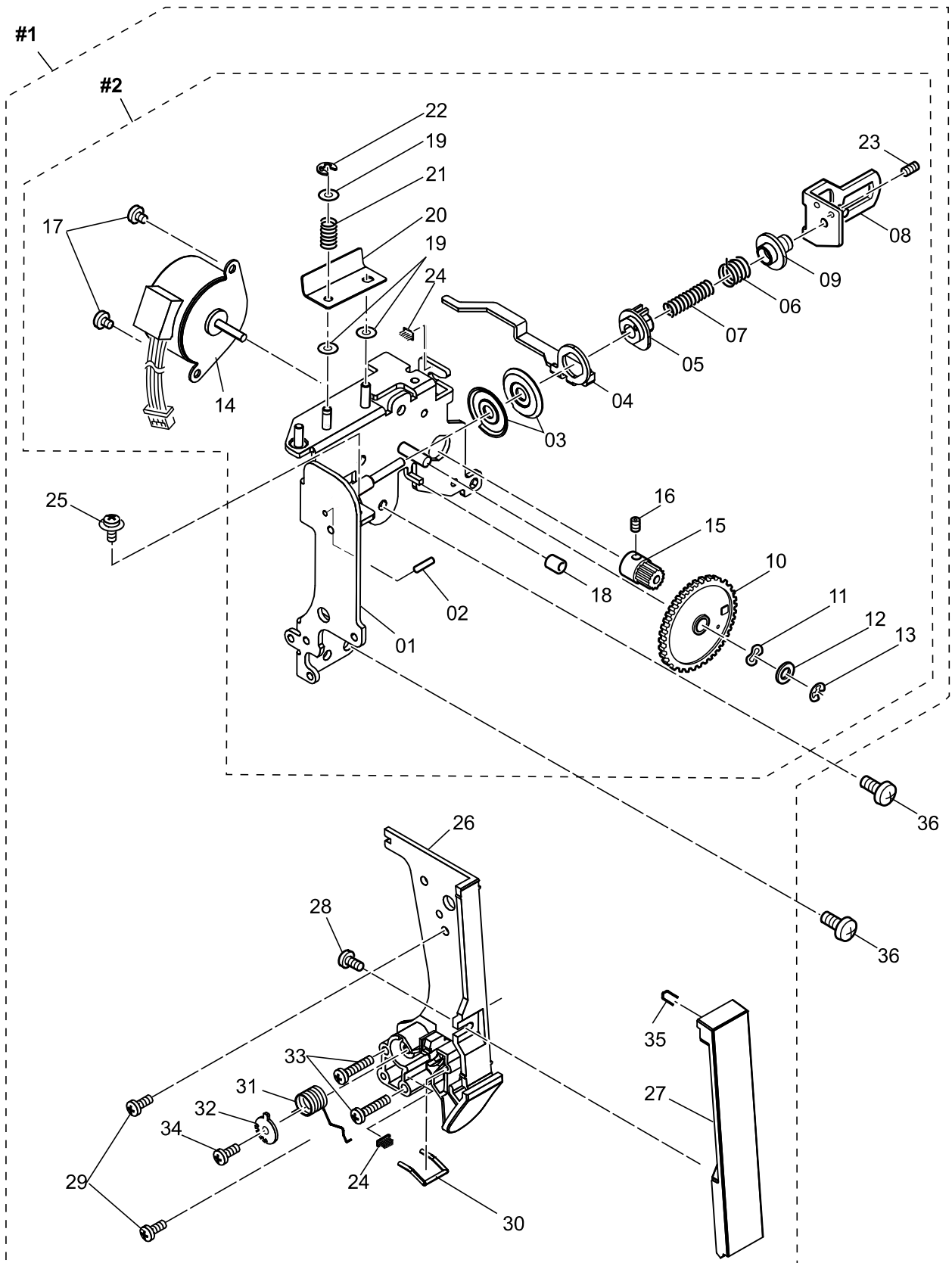
No.	Part No.	Description
#1	68011764	Base Assy.
#2	68011765	Face Plate Assy.
1	68001166	Machine Frame
2	68013529	Base Cover
3	68001179	Base Supporting Plate
4	68000157	Rubber Foot (B)
5	68001184	Rubber Foot Adjusting Screw
6	68001187	Adjustable Lock Nut
7	68001188	Set Screw PT M4*8
8	68001191	Set Screw M4*8
9	68013530	Electrical Rating Label
10	68001194	Rubber Foot
11	68001196	Set Screw M4*15
12	68001191	Set Screw M4*8
13	68001198	Set Screw PT M4*10
14	68001203	Face Plate
15	68013531	Face Plate Panel
16	68001207	Set Screw PT M3*6
17	68001208	Thread Cutter Cover
18	412423701	Thread Cutter
19	68001214	Set Screw PT M2.6*5
20	68001220	Set Screw M4*20
21	68013532	Screw Cap
22	68001228	Cord Holder
23	68001701	Set Screw M4*4
24	68001229	Face Plate Holding Plate
25	68001230	Set Screw M4*12
26	68013504	Rear Cover
27	68024856	Rubber Seat
28	270 HP90810	Set Screw M4*8
29	68001303	Screw Cap
30	68011766	Front And Rear Cover Panel
31	68001466	Set Screw M4*6
32	68001310	Set Screw PT M4*12
33	68001780	Coating Clip
34	68001191	Set Screw M4*8

# B



No.	Part No.	Description
#1	68011767	Unit Cover Assy.
1	68001539	Unit Cover
2	68001540	Thread Guide
3	68013505	Thread Guide Assy.
4	68001544	Adjustable Lock Nut
5	68001545	Spool Pin
6	68001546	Spool Pin Support Spring
7	68001547	Set Screw PT M3*5
8	68001549	Thread Guide Wire
9	416709501	Brush
10	68001550	Bobbin Winder Guide Wire
11	68001551	Bobbin Winder Stop
12	68002533	Nut
13	68001553	Set Screw M3*8
14	68001554	Bobbin Winder Thread Cutter Cover
15	412423701	Thread Cutter
16	68001555	Flap
17	68011768	Pattern Chart
18	68001557	Pin
19	68011769	Handle
20	68001317	Handle Hinge (Left) Assy.
21	416402701	Wave Washer
22	416402801	Snap Ring
23	68002628	Thread Spool Sticker
24	68001321	Handle Hinge (Right) Assy.
25	68001191	Set Screw M4*8
26	68001558	Set Screw M3*10
27	270 HP33067	Hinge Cover
28	416402401	Set Screw M4*14
29	68001562	Thread Tension Cover
30	68001563	Set Screw M3*5
31	68013533	Front Cover
32	68001566	Start/Stop Key-top
33	68001567	Switch Board Assy.
34	68001207	Set Screw PT M3*6
35	68013534	Silicon Rubber Key-top Set
36	68001570	Speed Key-top
37	68001571	Speed Control Board Assy.
38	68001207	Set Screw PT M3*6
39	68011770	LCD Assy.
40	68011771	Supporting Plate
41	68011772	LCD Cover
42	68011692	Relay Board Assy.
43	68001207	PT Binding Screw M3*6
44	68011773	Relay Board FFC
45	68001288	PT Binding Screw M3*8
46	68013525	LED Light Cover (D)
47	68011546	LED Board Assy.(A)
48	68001207	Set Screw PT M3*6
49	68001577	LED Light Cover (B)
50	68011555	LED Board Assy.(B)
51	68001579	Speed Nut
52	68001720	Brush
53	68001581	Accessory Box Cpl

# C

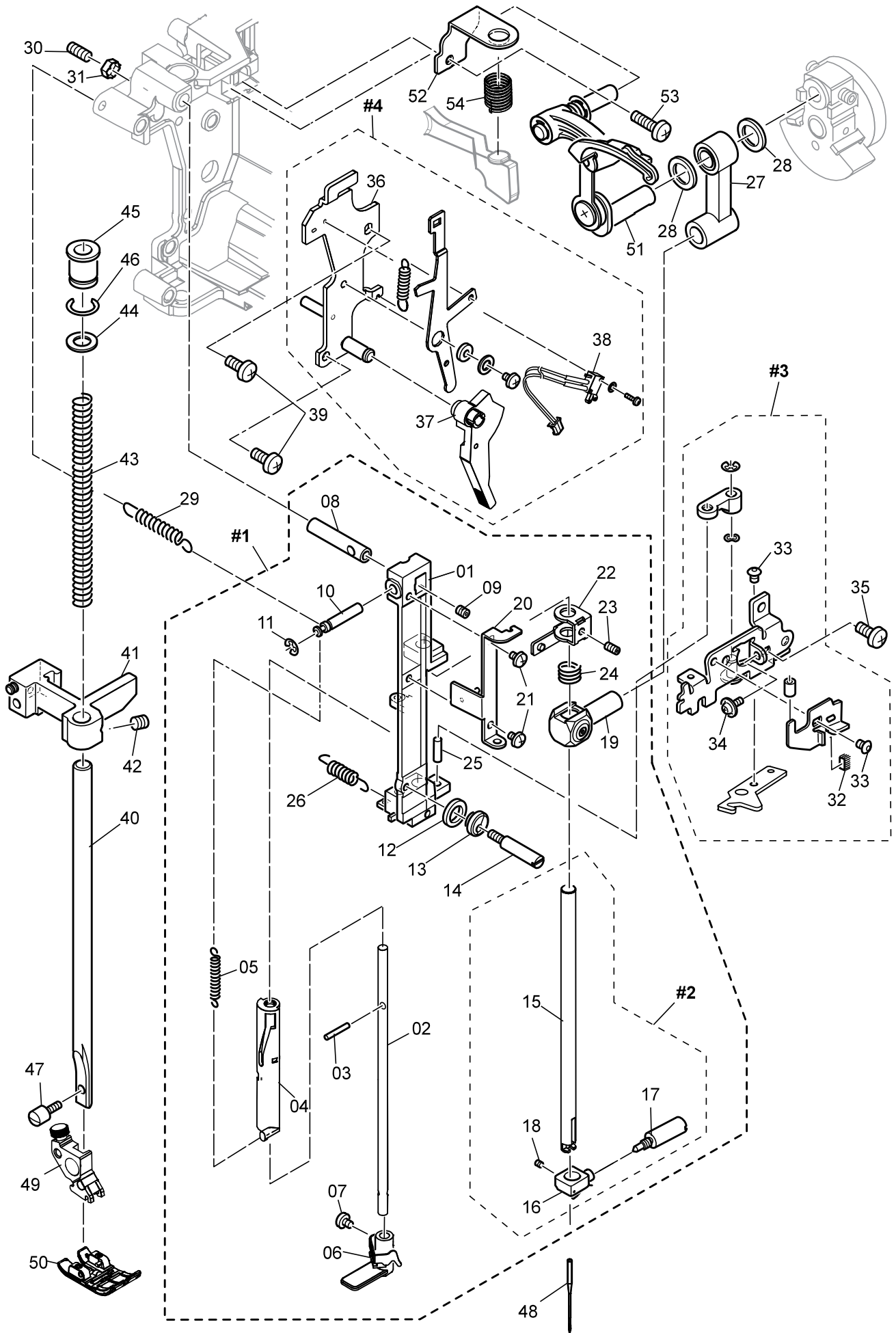




---

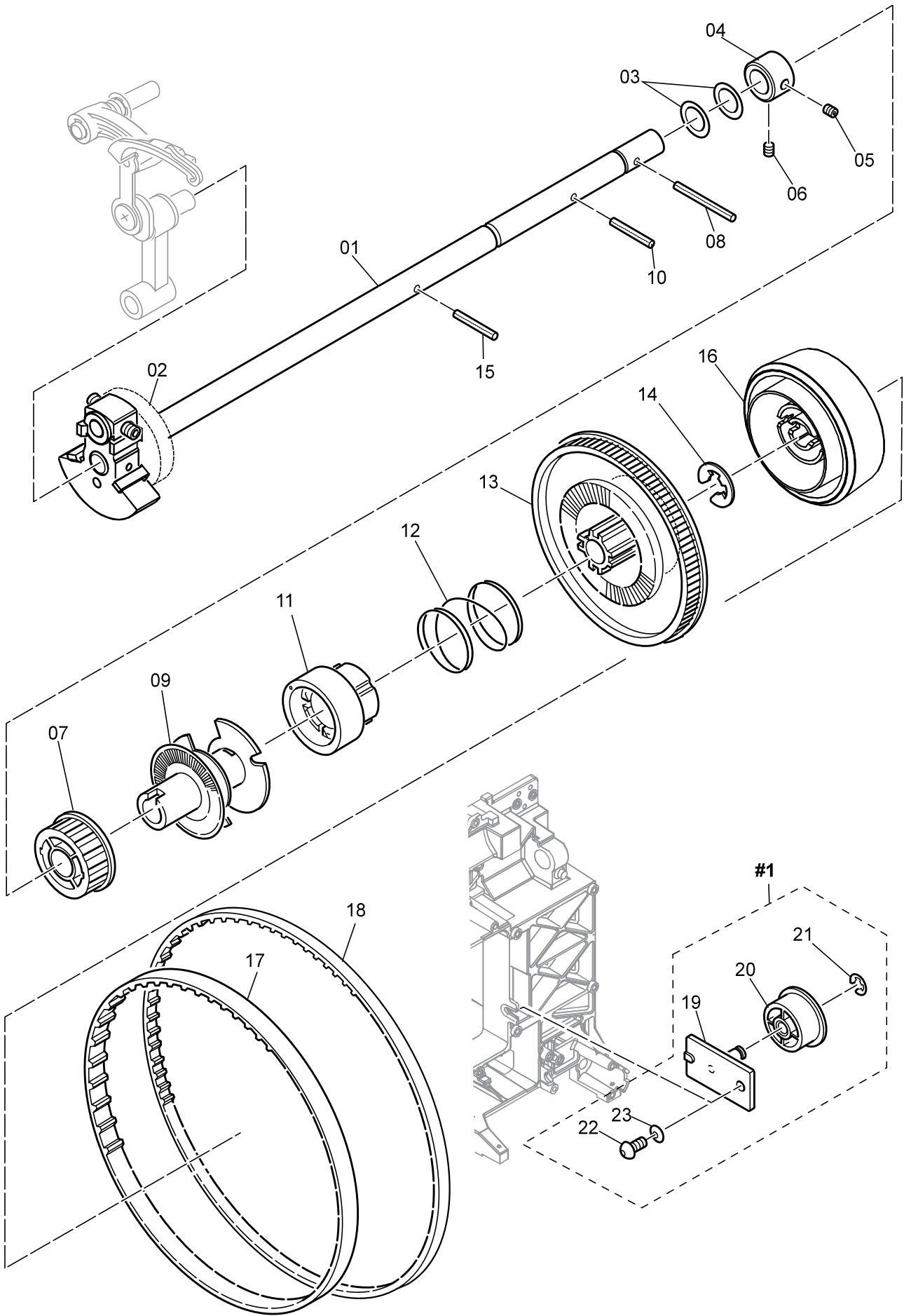
No.	Part No.	Description
#1	68011774	Thread Tension Ragulator Unit
#2	68001583	Thread Tension Assy.
1	68001584	Thread Tension Base Assy.
2	68001585	Spring Pin
3	68001586	Thread Tension Disc
4	68001587	Thread Tension Releasing Plate
5	68001588	Tension Collar
6	416395701	Thread Tension Spring
7	416395601	Thread Tension Sub-spring
8	416788401	Thread Tension Plate Assy.
9	68001589	Tension Regulating Screw
10	416395801	Thread Tension Cam
11	68001590	Wave Washer
12	68001591	Washer
13	68001592	Snap Ring
14	416395901	Tension Release Pulse Motor
15	68001594	Pulse Motor Gear
16	68001597	Set Screw M3*3
17	68001598	Set Screw M3*3
18	416709201	Rubber Cushion
19	68001599	Polyslider
20	68001600	Pre-Tension Plate
21	68001601	Pre-Tension Spring
22	68001286	Snap Ring
23	68001602	Set Screw M3*6
24	416709501	Brush
25	68001603	Set Screw M3*6
26	68001604	Thread Take-Up Lever Cover
27	68013535	Thread Take-Up Lever Cover Panel
28	68001207	Set Screw PT M3*6
29	68001606	Set Screw M3*5
30	416396001	Thread Guide
31	416396101	Thread Check Spring
32	68001607	Check Spring Adjust Plate
33	68001608	Set Screw M3*14
34	68001547	Set Screw PT M3*5
35	68001657	Thread Take-Up Lever Spool Wire
36	68001191	Set Screw M4*8

# D



No.	Part No.	Description
#1	68001661	Needle Bar Guide Assy.
#2	68001686	Needle Bar Assy.
#3	68001710	Z Link Bracket Unit
#4	68011262	Presser Foot Lifter Bracket Unit
1	68002780	Needle Bar Guide
2	68002487	Threader Bar
3	68002491	Spring Pin
4	68001675	Threader Guide
5	68001676	Threader Holder Spring
6	68001677	Threader Hook Assy.
7	68001678	Threader Hook Screw
8	68001679	Needle Bar Guide Fulcrum Shaft (A)
9	68001681	Set Screw M4*4
10	68001682	Needle Bar Guide Fulcrum Shaft (B)
11	68001684	Snap Ring
12	68002494	Z Cam Follower
13	68002495	Needle Point Adjust Collar
14	416709801	Needle Point Limiting Shaft
15	68002496	Needle Bar
16	68002629	Needle Clamp Assy.
17	68002630	Needle Clamp Screw
18	270 HP32430	Set Screw M2.5*2.5
19	68001697	Needle Bar Clamp Assy.
20	68001698	Threader Guide Pin Assy.
21	68001563	Set Screw M3*5
22	68001699	Threader Bar Stopper Assy.
23	68001703	Set Screw M3*6
24	416709901	Needle Bar Clamp Spring
25	68001704	Z Link Shaft
26	68001705	Z Guide Spring
27	68001706	Needle Bar Crank Rod Assy.
28	68001707	Washer
29	68001708	Spring for Needle Bar Guide Assy.
30	68001709	Set Screw M4*10
31	68001187	Adjustable Lock Nut
32	68001720	Brush
33	416710301	Set Screw M3*4
34	68001603	Set Screw M3*6
35	68001191	Set Screw M4*8
36	68018415	Presser Foot Lifter Bracket Assy.
37	68001725	Presser Foot Lifter
38	68001730	Presser Foot Switch Assy.
39	68001191	Set Screw M4*8
40	68001733	Presser Bar
41	68011265	Presser Bar Guide Bracket Assy.
42	68001735	Set Screw M5*5
43	68001736	Presser Bar Spring
44	416786901	Washer
45	68001737	Presser Bar Bush
46	68001738	Snap Ring
47	68002497	Presser Foot Screw
48		Needle
49	68005972	Presser Foot Holder
50	820773096	Standard Foot
51	68001743	Thread Take-Up Lever Assy.
52	68018416	Take-Up Lever Base Pin Plate
53	416402401	Set Screw M4*14
54	68001498	Dual Feed Up/Down Cam Presser Spring

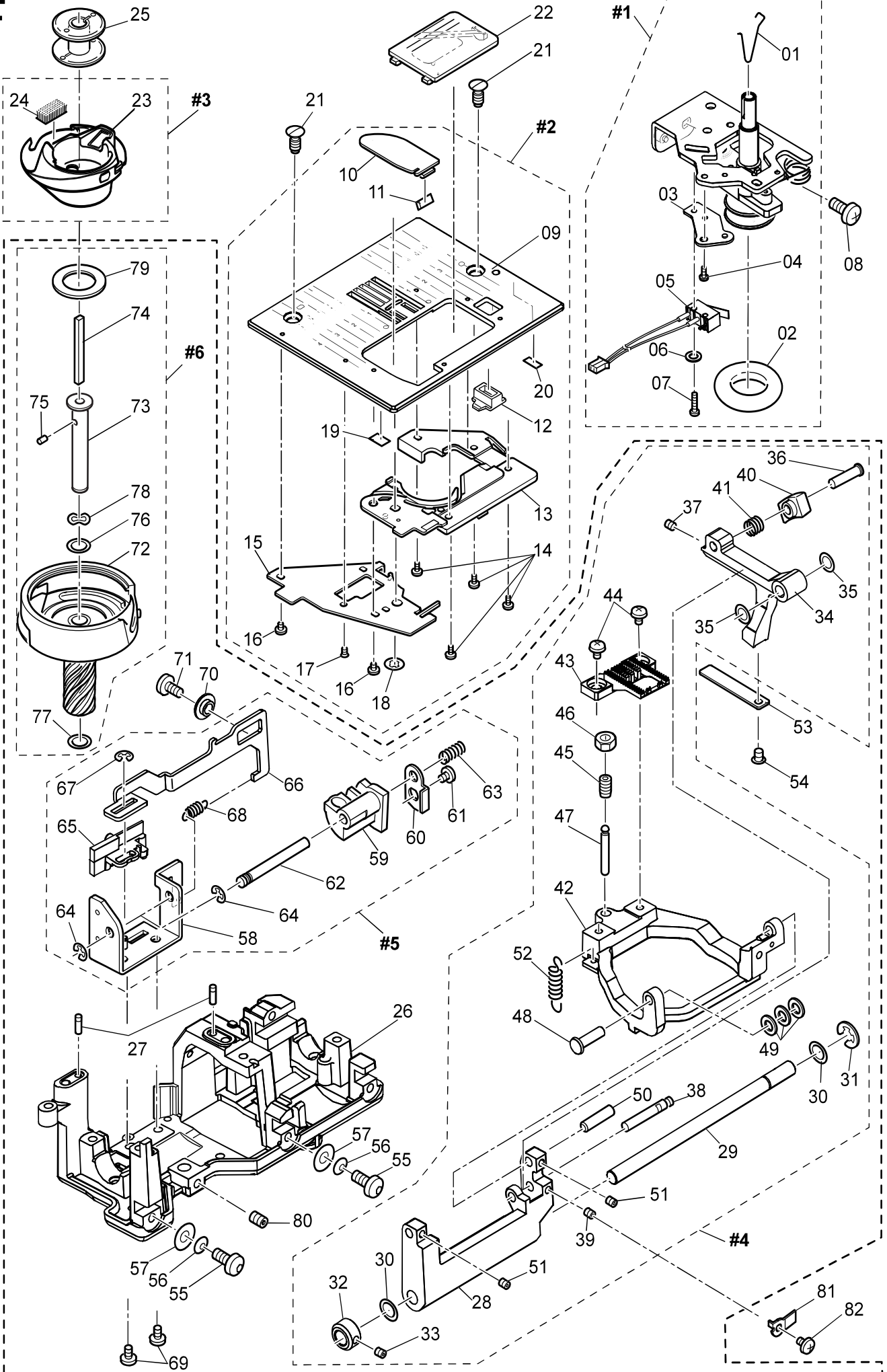
# E



---

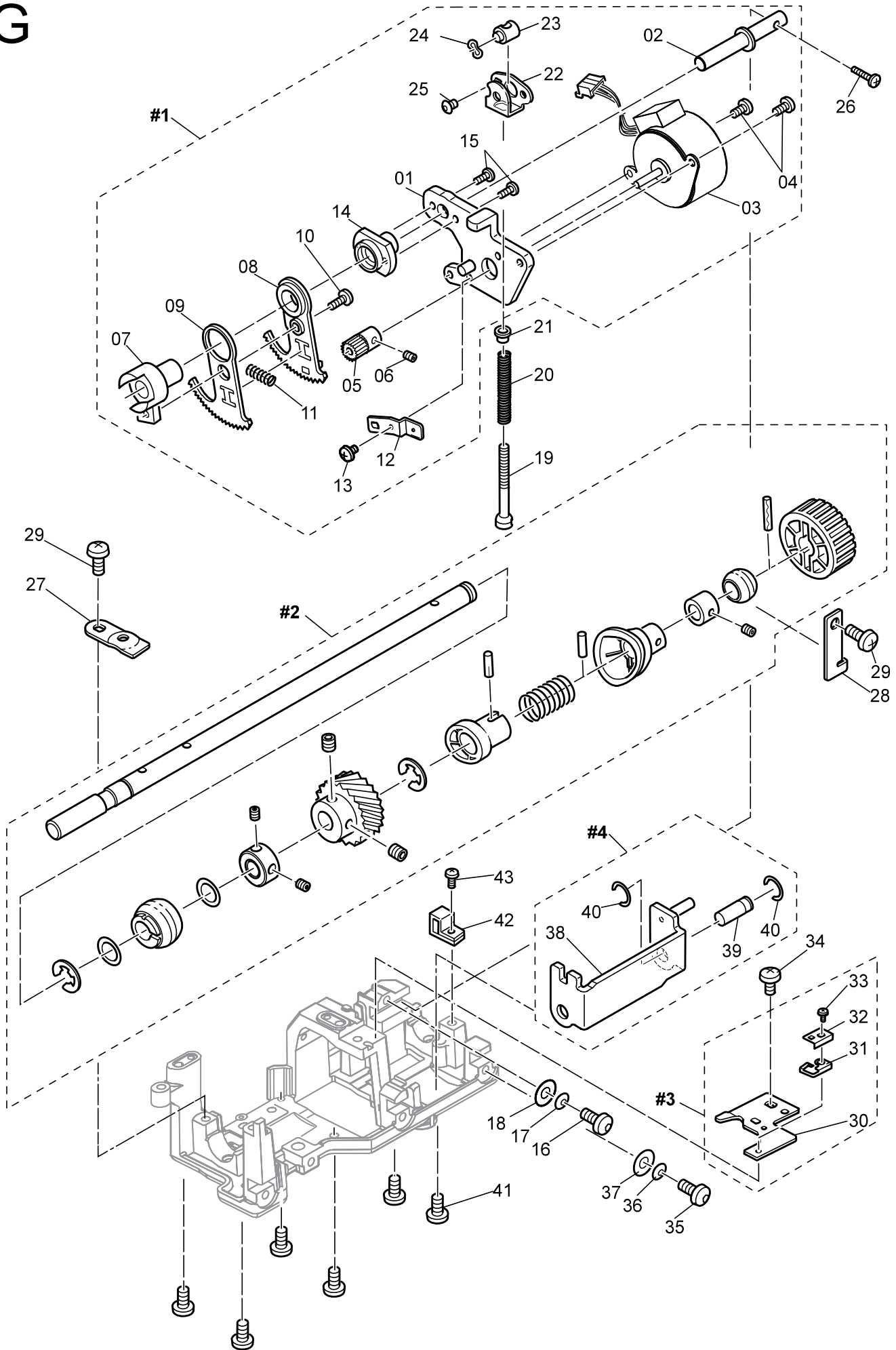
No.	Part No.	Description
#1	68001341	Belt Tension Assy.
1	68000145	Upper Shaft Assy.
2	68018417	Dual Feed Up/Down Cam
3	68000148	Polyslider
4	68000151	Upper Shaft Collar
5	68000153	Set Screw M4*4
6	68001681	Set Screw M4*4
7	68001199	Upper Shaft Timing Pulley
8	416400401	Spring Pin
9	68001234	STS Slit
10	68001326	Spring Pin
11	68001328	Clutch Change Collar
12	68001331	Clutch Change Spring
13	68001333	Belt Wheel
14	270 HP30045	Snap Ring
15	416400501	Spring Pin
16	68011775	Hand Wheel
17	416400301	Timing Belt (Upper Shaft)
18	68001340	Timing Belt (Motor)
19	68001342	Belt Tension Bracket Assy.
20	68001344	Tension Pulley
21	416402801	Snap Ring
22	68002633	Set Screw M4*8
23	68002631	Spring Washer

F



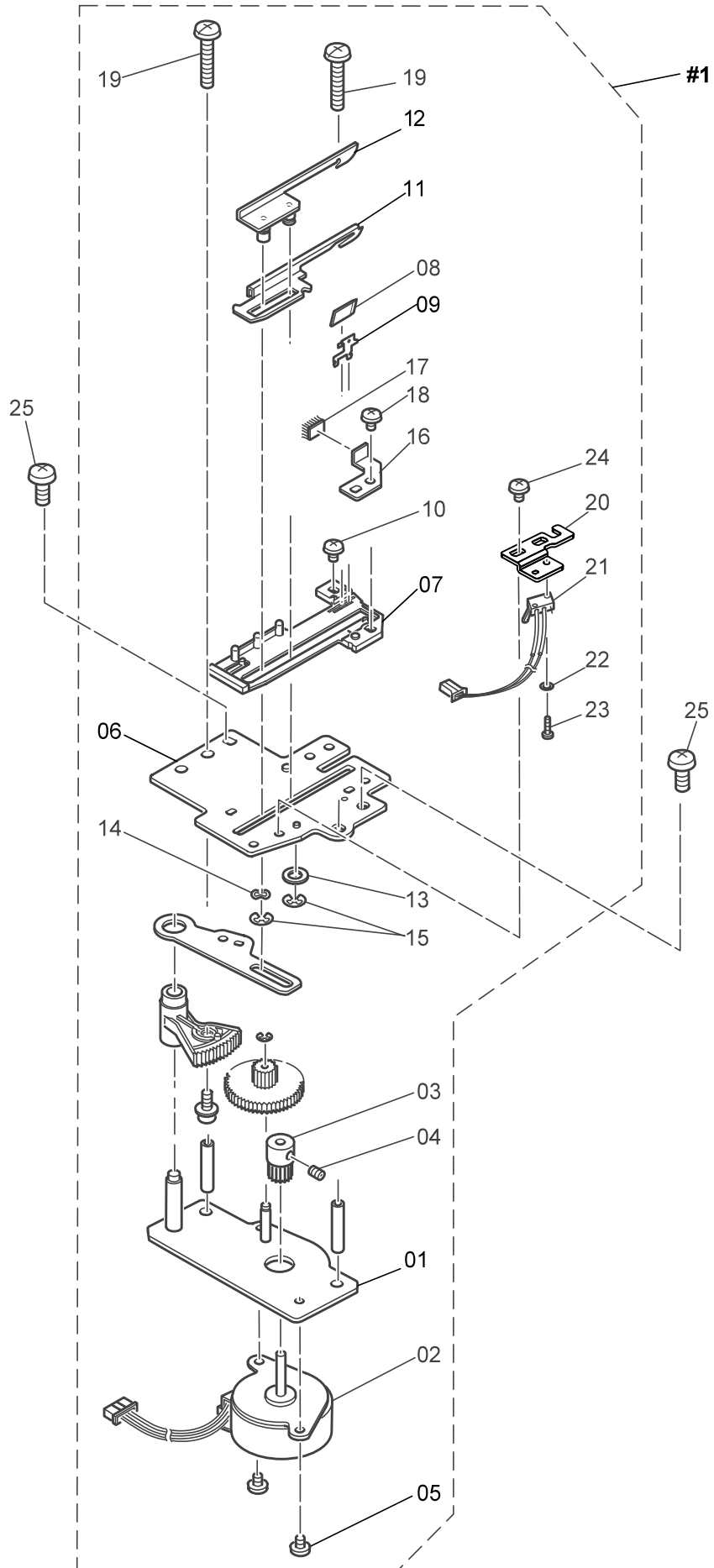
No.	Part No.	Description			
#1	68001347	BOBBIN WINDER ASSY.			
#2	68011271	NEEDLE PLATE ASSY.			
#3	68002958	BOBBIN HOLDER UNIT			
#4	68001393	FEED ASSY.			
#5	68001452	FEED ROCKING ASSY.			
#6	68001467	HOOK RACE UNIT			
1	68001349	BOBBIN WINDER SHAFT SPRING			
2	68011273	RUBBER RING			
3	68001352	BOBBIN WINDER SWITCH BRACKET			
4	416710101	SET SCREW M2.5*4			
5	68001355	BOBBIN WINDER SWITCH ASSY.			
6	68001356	WASHER			
7	68001357	SET SCREW M2*8			
8	68001191	SET SCREW M4*8			
9	68001361	NEEDLE PLATE			
10	416789201	THREAD GUIDE PLATE			
11	412423701	THREAD CUTTER			
12	68001364	SLIDE LEVER			
13	416789301	BOBBIN COVER PLATE HOLDER			
14	68001366	SET SCREW M2*3	63	68002855	FEED ROCKING CAM
15	68013449	BOBBIN HOLDER STABILIZE PLATE			
16	68001379	SET SCREW M2*2	64	68001592	FOLLOWER SPRING
17	416789701	SET SCREW M2*2.8	65	68001454	SNAP RING
18	416787101	PUSH NUT	66	68001462	DROP FEED LEVER
19	68001381	RUBBER SHEET			
20	416710801	RUBBER SHEET	67	68001462	DROP FEED LEVER
21	68001384	SET SCREW M4*8.5	68	68001286	LINK
22	68011275	BOBBIN COVER PLATE			
23	68002499	BOBBIN HOLDER ASSY.	69	68002867	SNAP RING
24	68013450	BRUSH			
25	68001389	BOBBIN			
26	68013536	BED UNIT BASE	70	68001464	THREADER HOLDER
27	68002501	POSITION PIN FOR NEEDLE PLATE	71	68001466	SPRING
28	68001397	FEED SHAFT GUIDE	72	270 HP30113	SET SCREW
29	68001398	FEED SHAFT	73	68001465	COLLAR
30	68001399	POLYSLIDER	74	68001466	SET SCREW M4*6
31	68001400	SNAP RING	75	68001472	HOOK RACE ASSY.
32	68013468	FEED SHAFT COLLAR	76	68002869	HOOK RACE SHAFT
33	68001597	SET SCREW M3*3	77	68013455	OIL WICK (1)
34	68018418	FEED CAM FOLLOWER	78	68001472	OIL WICK (2)
35	68013481	POLYSLIDER	79	68001474	POLYSLIDER
36	68001408	FEED SLIDE BLOCK FULCRUM SHAFT	80	68001475	POLYSLIDER
37	68001597	SET SCREW M3*3	81	68001856	WAVE WASHER
38	68018421	FEED CAM FOLLOWER FULCRUM SHAFT	82	68001483	MAGNET
39	68001597	SET SCREW M3*3	80	68000153	SET SCREW M4*4
40	68010957	FEED SLIDE BLOCK	81	68018424	DUAL FEED LOWER
41	68010955	FEED SLIDE BLOCK SPRING			
42	68001426	FEED BASE			
43	68002542	FEED DOG			
44	68001606	SET SCREW M3*5			
45	416401301	SET SCREW			
46	416401401	ADJUSTABLE NUT			
47	416401201	FEED ROCKING CONNECTING ROD			
48	68001447	FEED BASE FULCRUM SHAFT (LEFT)			
49	68001591	WASHER			
50	68018422	FEED BASE FULCRUM SHAFT (RIGHT)			
51	68001597	SET SCREW M3*3			
52	68001449	FEED ROCKING CAM FOLLOWER SPRING			
53	68018423	FEED CAM FOLLOWER SPRING			
54	416710301	BUTTON HEAD SCREW M3*4			
55	68002633	SET SCREW M4*8			
56	68002631	SPRING WASHER			
57	68002634	WASHER			
58	68002854	FEED ROCKING CAM FOLLOWER BRACKET ASSY.			
59	416711401	FEED ROCKING CAM FOLLOWER			
60	416711501	FEED ROCKING CAM FOLLOWER PLATE			
61	68001547	SET SCREW PT M3*5			
62	416711601	FEED ROCKING CAM FOLLOWER SHAFT			

# G



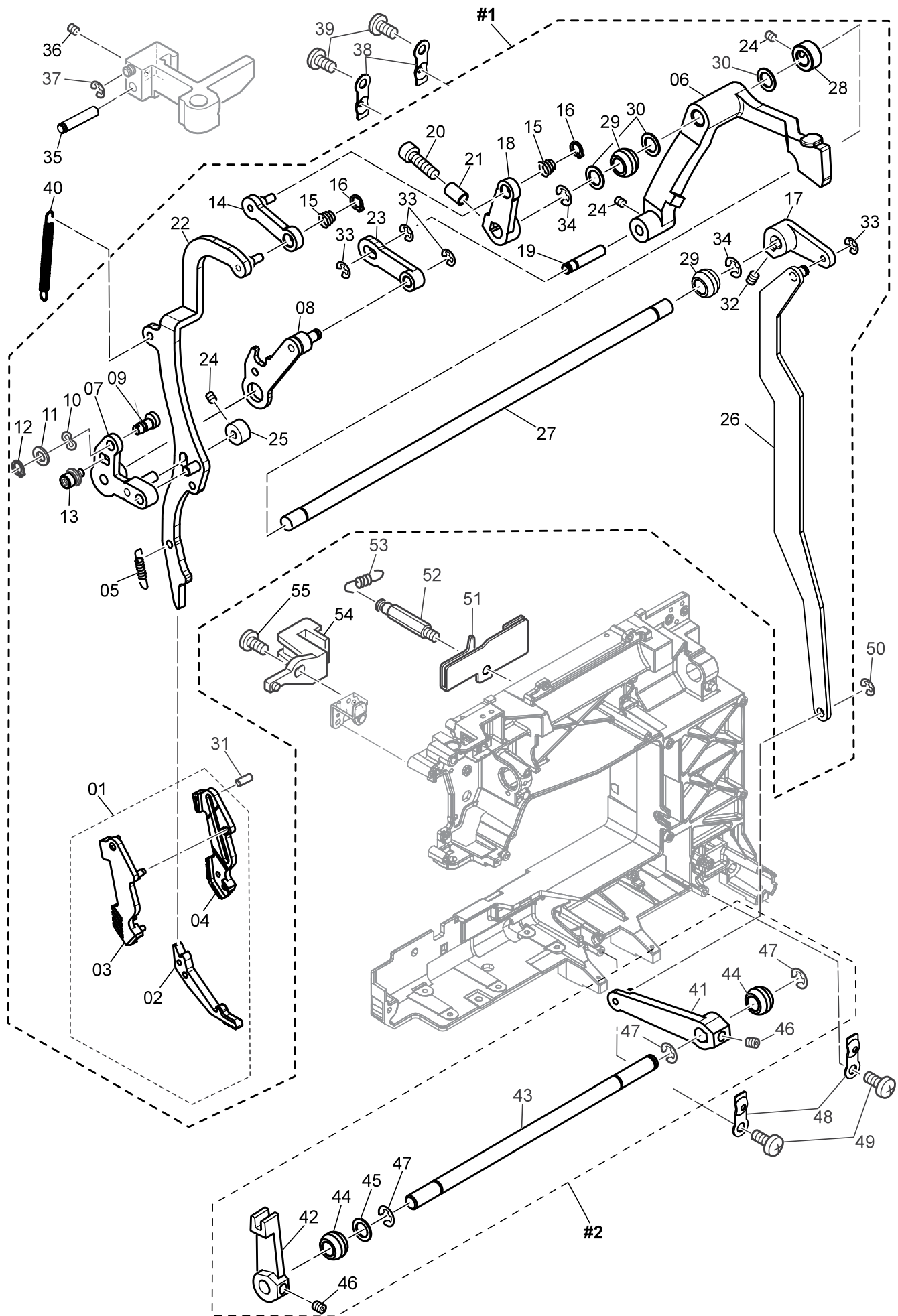


No.	Part No.	Description
#1	68001499	F Pulse Motor Assy.
#2	68001527	Lower Shaft Assy.
#3	68001659	Bobbin Holder Stopper Assy.
#4	68018425	Dual Feed Lower Shaft Arm Unit
1	68013485	F Pulse Motor Bracket Assy.
2	68013494	Feed Regulator Shaft
3	68001509	F Pulse Motor
4	68013495	Set Screw M3*6
5	68001510	F Pulse Motor Gear
6	68001597	Set Screw M3*3
7	68001514	Feed Regulator
8	68001516	Feed Regulator Gear (A)
9	68001517	Feed Regulator Gear (B)
10	68001553	Set Screw M3*8
11	68001520	Feed Regulator Gear Spring
12	68001521	Pulse Motor Bracket Plate
13	68001598	Set Screw M3*3
14	68013496	Feed Regulator Holder
15	68013497	Set Screw M2.5*6
16	68002633	Set Screw M4*8
17	68002631	Spring Washer
18	68002634	Washer
19	68001525	Forward-Reverse Feed Fine Adjustment Screw
20	68001526	Forward-Reverse Feed Fine Adjustment Spring
21	68018426	Forward-Reverse Feed Fine Adjustment Spring Collar
22	68001523	Feed Fine Adjustment Screw Nut Support Plate
23	68001524	Forward-Reverse Feed Fine Adjustment Screw Nut
24	68001590	Wave Washer
25	416710301	Set Screw M3*4
26	68013498	Set Screw M2.5*10
27	68001596	Ball Bushing Holder (Left)
28	68001658	Ball Bushing Holder
29	68001191	Set Screw M4*8
30	68001660	Bobbin Holder Stopper Bracket
31	68001662	Bobbin Holder Stopper Spring
32	68001667	Bobbin Holder Stopper Spring Cover
33	68001366	Set Screw M2*3
34	68002502	Set Screw M4*6
35	68002633	Set Screw M4*8
36	68002631	Spring Washer
37	68002634	Washer
38	68018427	Dual Feed Lower Shaft Arm Assy.
39	68001422	Dual Feed Lower Shaft Arm Fulcrum Shaft
40	68018428	Snap Ring
41	68001191	Set Screw M4*8
42	68001228	Cord Holder
43	68001191	Set Screw M4*8



---

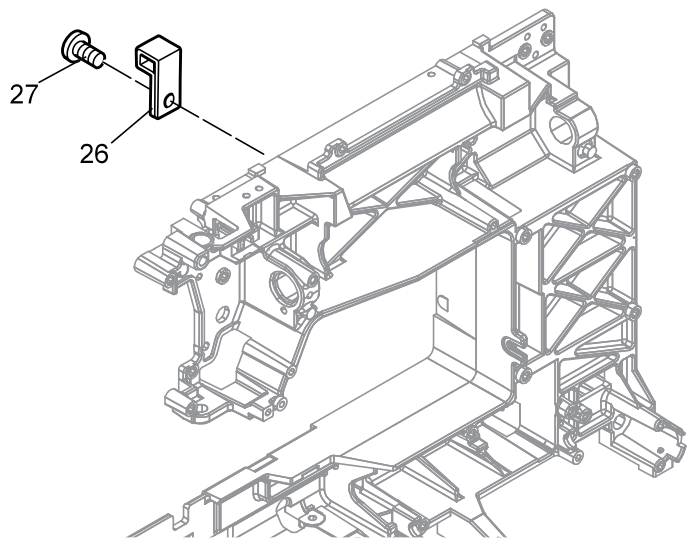
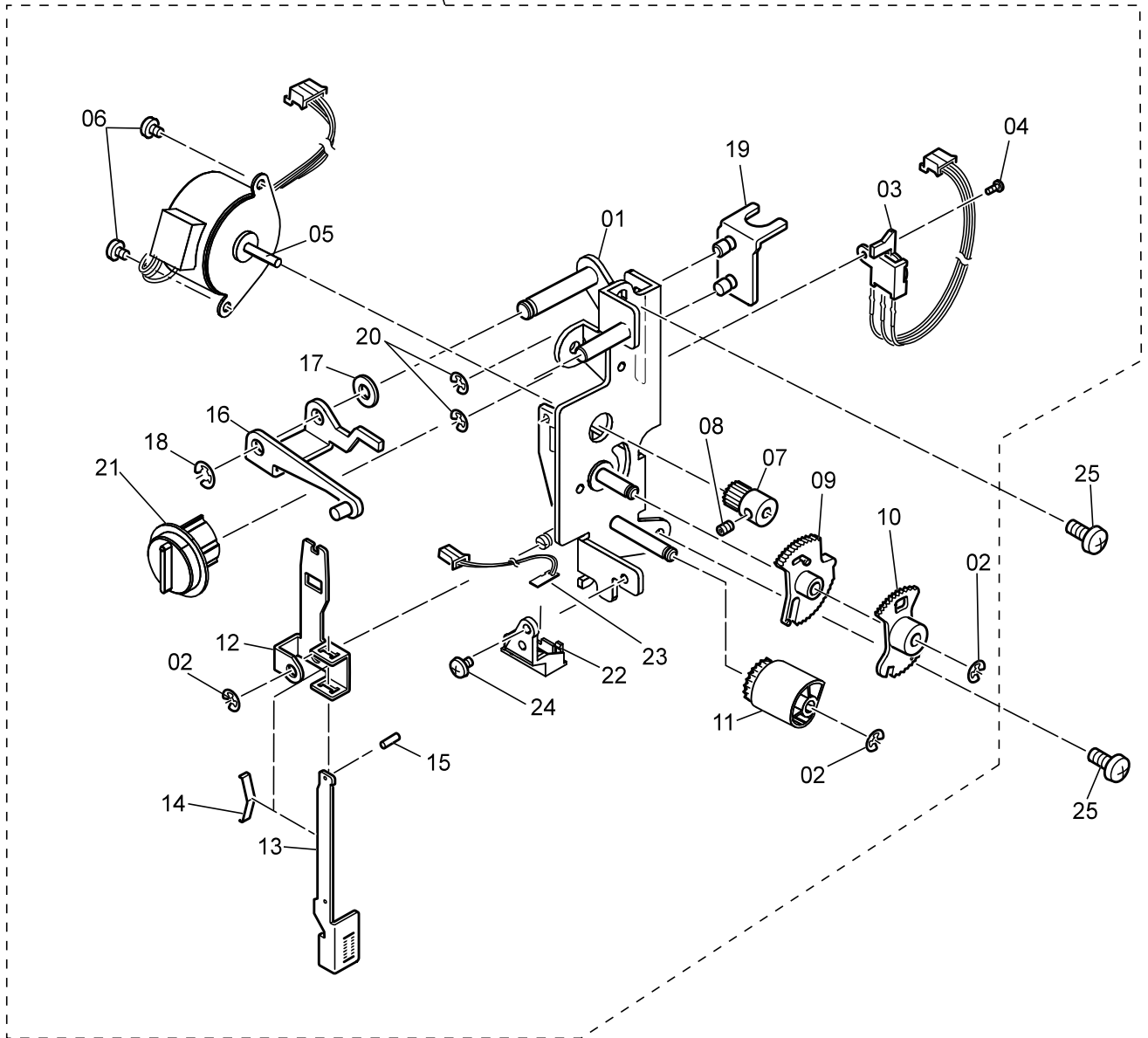
<u>No.</u>	<u>Part No.</u>	<u>Description</u>
#1	68002960	Thread Cutter Assy.
1	68013461	Thread Cutter Pulse Motor Bracket Assy.
2	68001346	Thread Cutter Pulse Motor
3	68001594	Pulse Motor Gear
4	68001597	Set Screw M3*3
5	68001598	Set Screw M3*3
6	68013464	Thread Cutter Bracket
7	68013465	Thread Cutter Holding Base
8	412423701	Thread Cutter
9	68005912	Thread Divider
10	68001606	Set Screw M3*5
11	68005911	Thread Catcher A
12	68005910	Thread Catcher B Assy.
13	68001591	Washer
14	68001712	Wave Washer
15	68001592	Snap Ring
16	416826401	Thread Holding Bracket
17	416789901	Brush
18	68001606	Set Screw M3*5
19	68001395	Set Screw M4*22
20	68001409	Thread Cutter Switch Bracket
21	68001411	Thread Cutter Switch Assy.
22	416710401	Washer
23	68001731	Set Screw M1.7*6
24	68001598	Set Screw M3*3
25	68001191	Set Screw M4*8



No.	Part No.	Description
#1	68011276	Dual Feed Unit Assy.
#2	68011277	Dual Feed Lower Shaft Assy.
1	68011285	Dual Feed Dog Assy.
2	68018429	Dual Feed Dog
3	68018430	Dual Feed Dog Holder (Left)
4	68018431	Dual Feed Dog Holder (Right)
5	68002635	Dual Feed Dog Spring
6	68018432	Dual Feed Up/Down Cam Lever
7	68018433	Dual Feed Up/Down Cam Lever Assy.
8	68018434	Dual Feed Up/Down Adjusting Plate Assy.
9	68018449	Dual Feed Height Adjusting Pin
10	68001590	Wave Washer
11	68001591	Washer
12	68019888	C-type Retaining Ring
13	68018450	Set Screw
14	68021642	Dual Feed Leg Front/Rear Link Assy.
15	68021643	Spring
16	68021644	Snap Ring
17	68001488	Dual Feed Leg Front/Rear Lever
18	68021645	Dual Feed Leg Front/Rear Lever (Left)
19	68021646	Dual Feed Up/Down Cam Lever Shaft
20	68002535	Set Screw M4*14
21	68002536	Spacer
22	68021647	Dual Feed Leg Assy.
23	68021648	Dual Feed Up/Down Link Assy.
24	68001597	Set Screw M3*3
25	68022889	Collar
26	68001495	Dual Feed Up/Down Shaft Link Assy.
27	68023068	Dual Feed Upper Shaft
28	68001401	Feed Shaft Collar
29	68001504	Ball Bushing
30	416705201	Polyslider
31	68001511	Straight Pin
32	68000153	Set Screw M4*4
33	68001592	Snap Ring
34	416402801	Snap Ring
35	68001490	Dual Feed Up/Down Cam Lever Shaft
36	68001597	Set Screw M3*3
37	68001592	Snap Ring
38	68001685	Dual Feed Ball Bushing Holder
39	68001191	Set Screw M4*8
40	68018451	Dual Feed Cloth Presser Spring
41	68001691	Dual Feed Lower Shaft Lever Assy.
42	68024848	Dual Feed Link Lever
43	68001693	Dual Feed Lower Shaft
44	68001504	Ball Bushing
45	416705201	Polyslider
46	68000153	Set Screw M4*4
47	416402801	Snap Ring
48	68001685	Dual Feed Ball Bushing Holder
49	68001191	Set Screw M4*8
50	68001592	Snap Ring
51	68001700	Cable Clamp
52	68002539	Stud
53	68002541	Dual Feed Leg Front/Rear Lever Spring
54	68024849	Dual Feed Leg
55	68001191	Set Screw M4*8

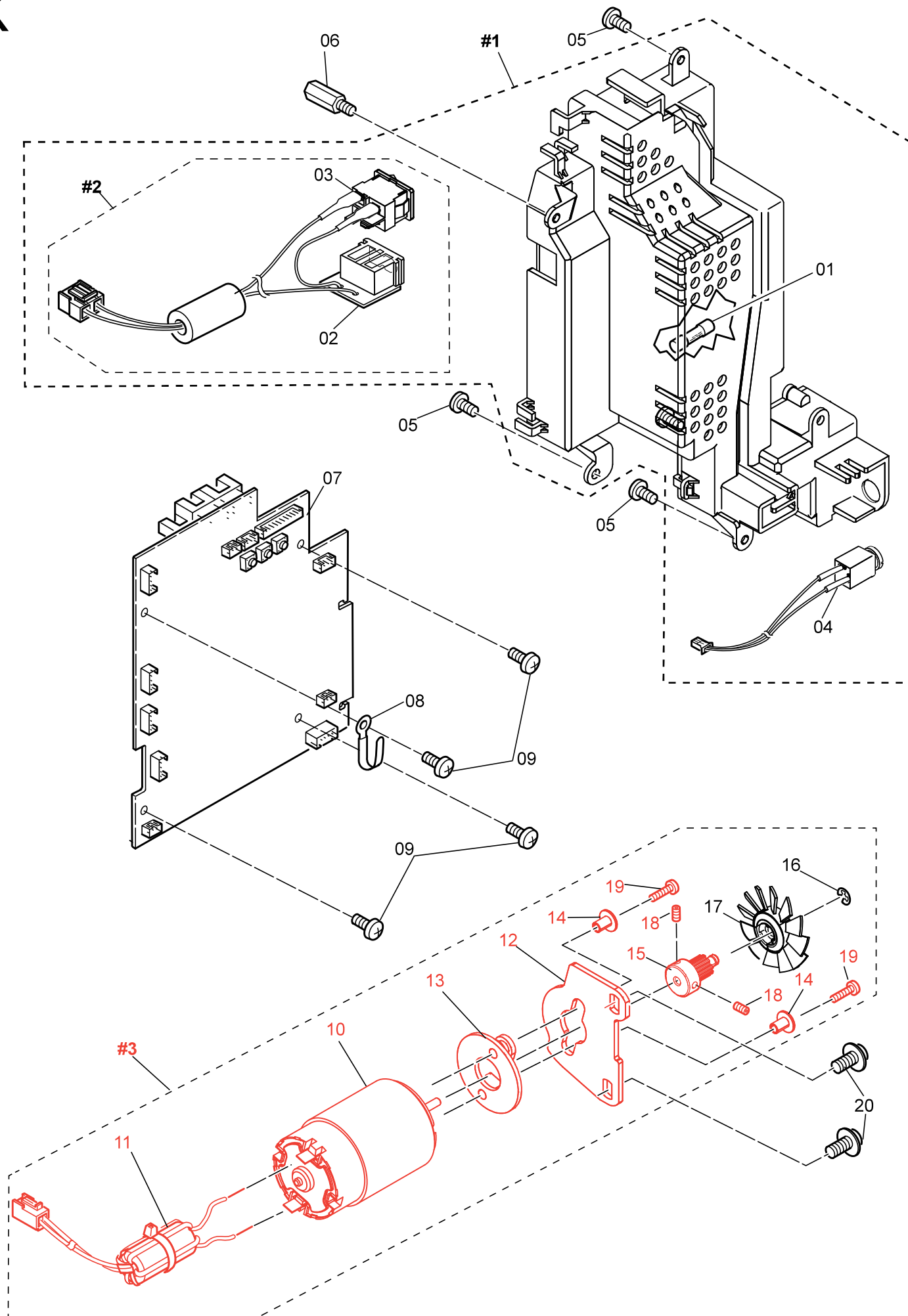
J

#1



---

No.	Part No.	Description
#1	68011776	Z Pulse Motor Assy.
1	68001749	Z Pulse Motor Bracket Assy
2	68001592	Snap Ring
3	68001750	BH Switch Assy.
4	416710101	Set Screw M2.5*4
5	68001752	Z Pulse Motor
6	68001598	Set Screw M3*3
7	68001594	Pulse Motor Gear
8	68001753	Set Screw M3*4
9	68001754	Center Gear (A)
10	68001765	Center Gear (B)
11	68001755	Z Cam
12	68001756	BH Plate
13	68001757	BH Lever
14	68001758	BH Lever Spring
15	68001759	Spring pin
16	68001760	Pressure Regulator Cam Follower Assy.
17	68001761	Washer
18	416402801	Snap Ring
19	68001762	Pressure Regulator Plate Assy.
20	68001592	Snap Ring
21	68013537	Pressure Regulator Dial
22	68013528	LED Light Cover ( E )
23	68011561	LED Board Assy( C )
24	68001606	Set Screw M3*5
25	68001191	Set Screw M4*8
26	68001228	Cord Holder
27	68001191	Set Screw M4*8

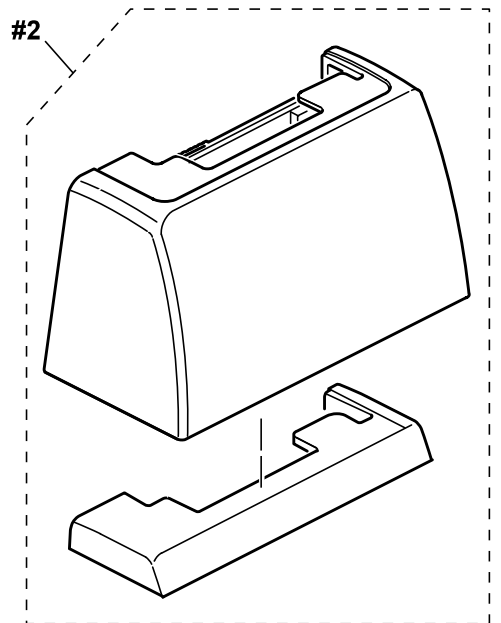
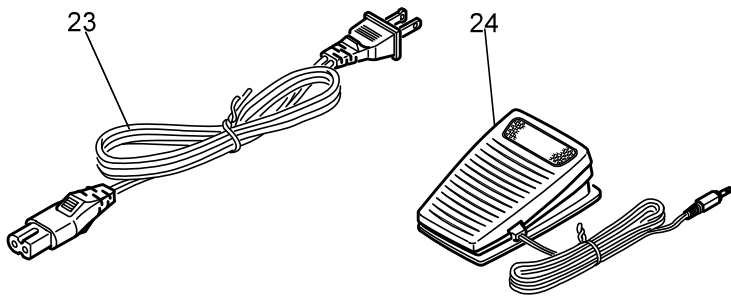
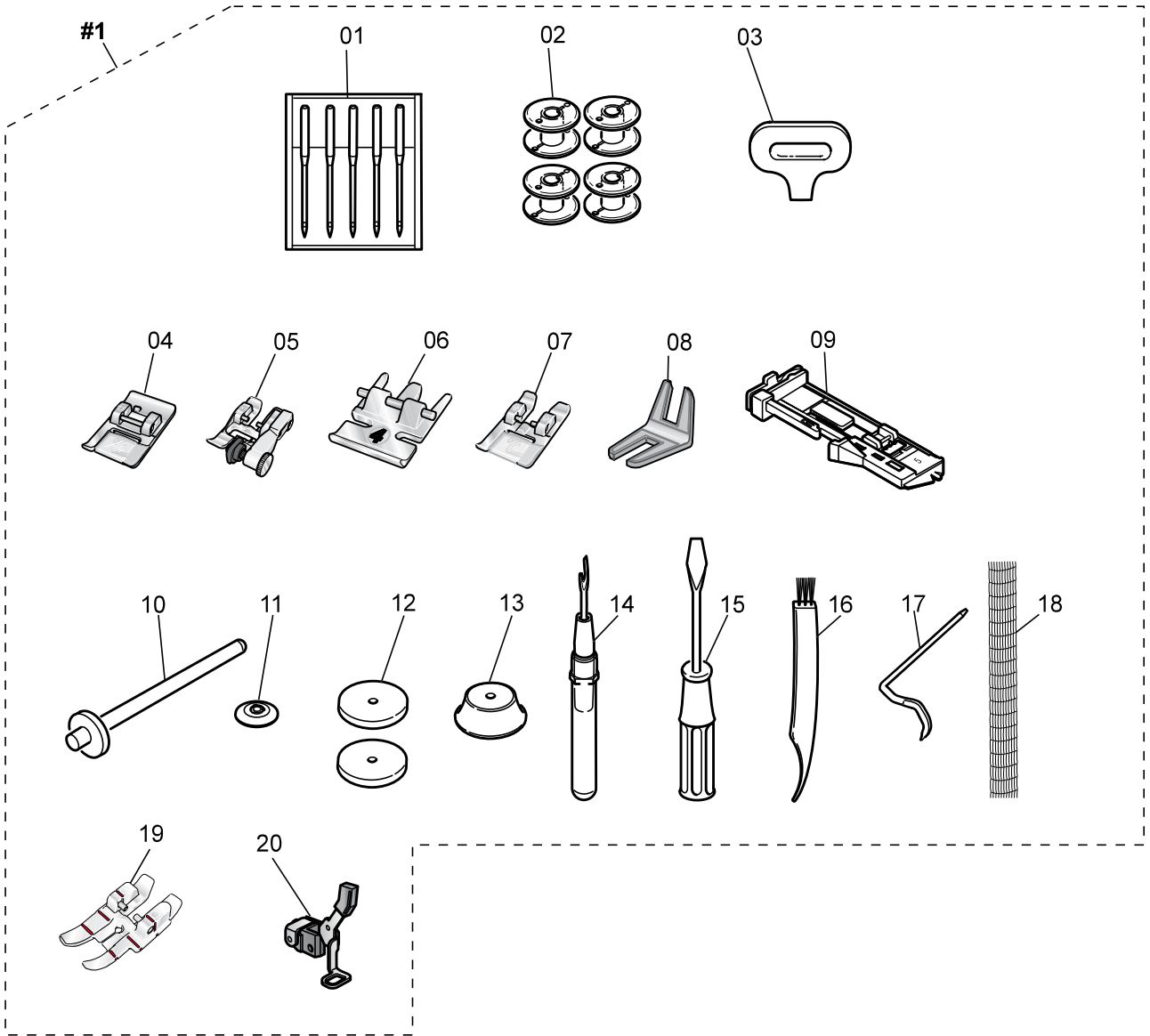




---

No.	Part No.	Description
#1	68011287	Power Circuit Assy.
#2	68001768	Power Socket Assy.
#3	68012010	Motor Assy.
1	68001767	Fuse
2	68001769	Power Socket Circuit
3	68001770	Power Switch
4	68001772	Controller Jack Assy.
5	68001191	Set Screw M4*8
6	68001774	Stud
7	68011777	CPU Board Assy.
8	68001780	Coating Clip
9	68001191	Set Screw M4*8
10	68013407	Motor
11	68013954	DC Motor Harness Assy.
12	68013955	Motor Bracket
13	68013409	Rubber Cushion
14	68013410	Motor Collar
15	68013411	Motor Pulley
16	68001592	Snap Ring
17	270 HP32925	Motor Fan
18	68001703	Set Screw M3*6
19	68001558	Set Screw M3*10
20	416403001	Set Screw M5*10

L



No.	Part No.	Description
#1	68013538	Accessory Kit
#2	68001835	Dust Cover Unit
1	620098796	Needle Set
2	68001389	Bobbin
3	68001808	Screw Driver for Needle Plate
4	413060501	Fancy Stitch Foot 2A
5	820256096	Blindhem Foot 3
6	820248096	Zipper Foot 4
7	413059801	Fancy Stitch Foot 1A
8	413105601	Multi-Purpose Tool
9	68002863	One Step BH Foot 5
10	68001820	Auxiliary Spool Pin
11	68001821	Small Thread Cap
12	412610701	Felt
13	68001559	Thread Cap
14	68001822	Stitch Ripper
15	68001823	Screw Driver
16	68001824	Brush
17	68001825	Edge Guide
18	68001826	Spool Net
19	820926096	Inch Quilting Foot with IDT
20	68001828	Embroidery Foot Assy.
23	412157903	Power Cord 120V (USA, CND)
23	412157801	Net Cable 220V (EU)
23	412158002	Net Cable (GB)
24	68001834	Controller