

PFAFF®

Performance 5.0

Parts List



Nicht nummerierte Teile im Katalog werden nicht geliefert.

The parts mentioned without number in the parts list are not available.

Les pièces qui ne sont pas numérotées dans la liste de pièces détachées ne peuvent être livrées.

Bei Bestellung von Ersatzteilen muss die Modell-Nr. der Maschine, die Seitenzahl des Kataloges und die Teilenummer angegeben werden.

Prière d'indiquer dans vos commandes de pièces de rechange, le numéro de la machine, le numéro de la page dans la liste des pièces détachées, ainsi que les numéros des pièces commandées.

When ordering spare parts, please state the model number, the page number in the catalogue of spare parts and the number of the parts called for.



Please note that on disposal, this product must be safely recycled in accordance with relevant National legislation relating to electrical/electronic products. If in doubt please contact your retailer for guidance.



Bitte beachten Sie, dass hinsichtlich der Entsorgung dieses Produkts, vorschriftsmäßig entsprechend der gültigen nationalen Gesetzgebung für elektrische/elektronische Produkte, recycelt werden muss. Bei Zweifel setzen Sie sich bitte mit Ihrem Fachhändler in Verbindung.

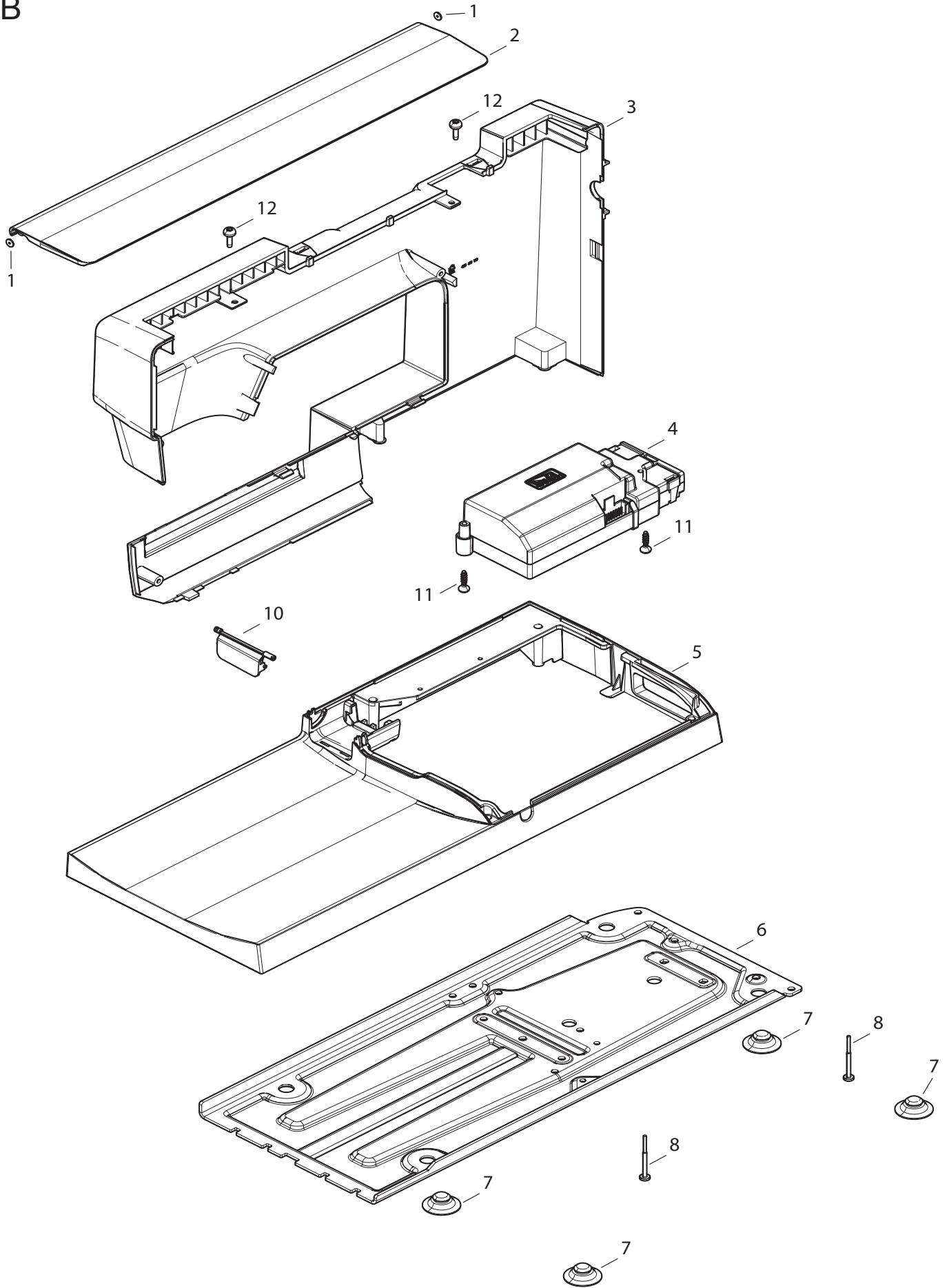


Veuillez noter qu'en cas de destruction, ce produit doit bénéficier d'un recyclage sécurisé, conforme à la législation nationale applicable aux produits électriques/électroniques. En cas de doute, veuillez contacter votre distributeur agréé.

- All casted parts within our products are marked with name of material if allowed by size.
- All molded plastic parts within our products are marked with name of material if allowed by size.

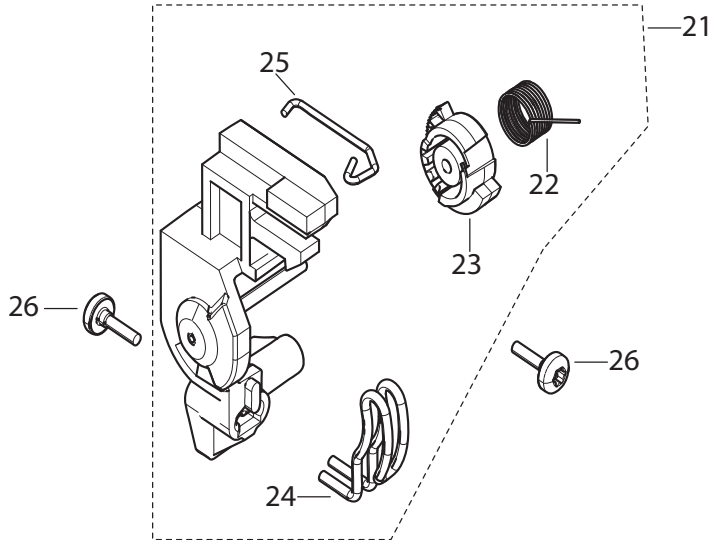
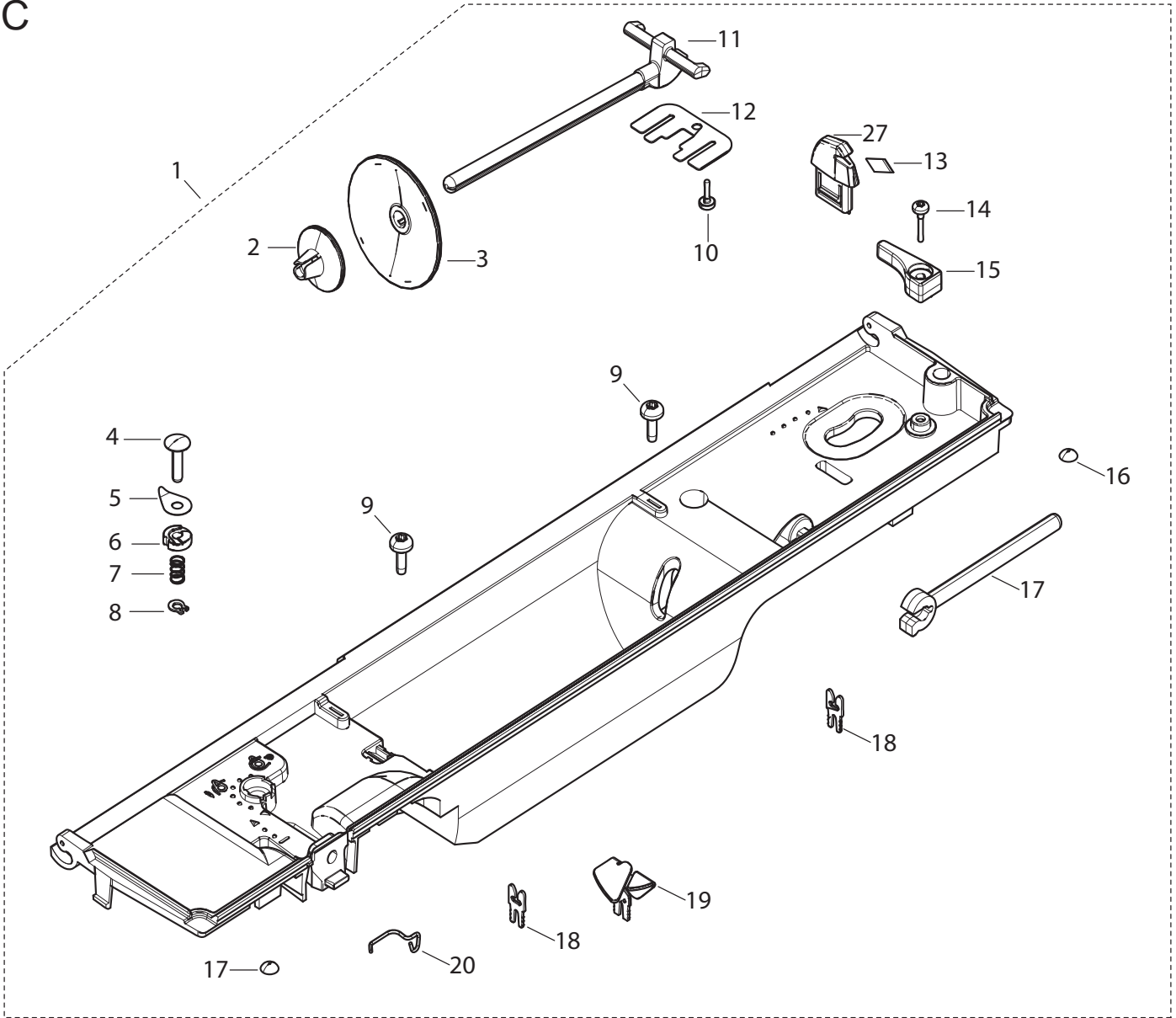
1	411966801	SCREW PT 30*7,5 FZB TORX
2	413355401	DISTANCE
3	413340648	PCB APPLICATION BOARD PERFORMANCE 5.0
4	413352601	DISPLAY HOLDER
5	413309601	DISPLAY
6	413380102	SEALING STRIP
7	413380101	SEALING STRIP
8	413144901	TOUCH SCREEN
9	413348002	FOIL TOUCH SCREEN
10	413358301	DISTANCE TAPE
11	413347702	KEYBOARD PERFORMANCE 5.0
13	413050002	LOUDSPEAKER BOX CPL.
14	411966803	SCREW PT 30X12 FZB TORX
15	413117103	FRONT COVER
16	735583001	STARLOCK WASHER
17	413369901	STYLUS HOLDER
18	411966812	SCREW PT 40X40 FZB TORX
19	412281904	SCREW FLANGE M4X10 TAPTITE TORX
20	413133001	LED HOLDER C
21	413354601	LED LIGHT ASSEMBLY
22	413365301	LED GLASS
24	413067402	BOARD REVERSE BUTTON
25	413057601	REVERSE BUTTON
26	413136407	GUIDE CPL. PERFORMANCE 5.0
27	413117302	COVER SEWING HEAD
28	413068801	THREAD GUIDE
29	412423701	THREAD CUTTER
30	413066201	THREAD KNIFE CPL.
31	412799130	FRICTION TAPE
32	413148207	DECAL, COVER SEWING HEAD PERFORMANCE 5.0

B



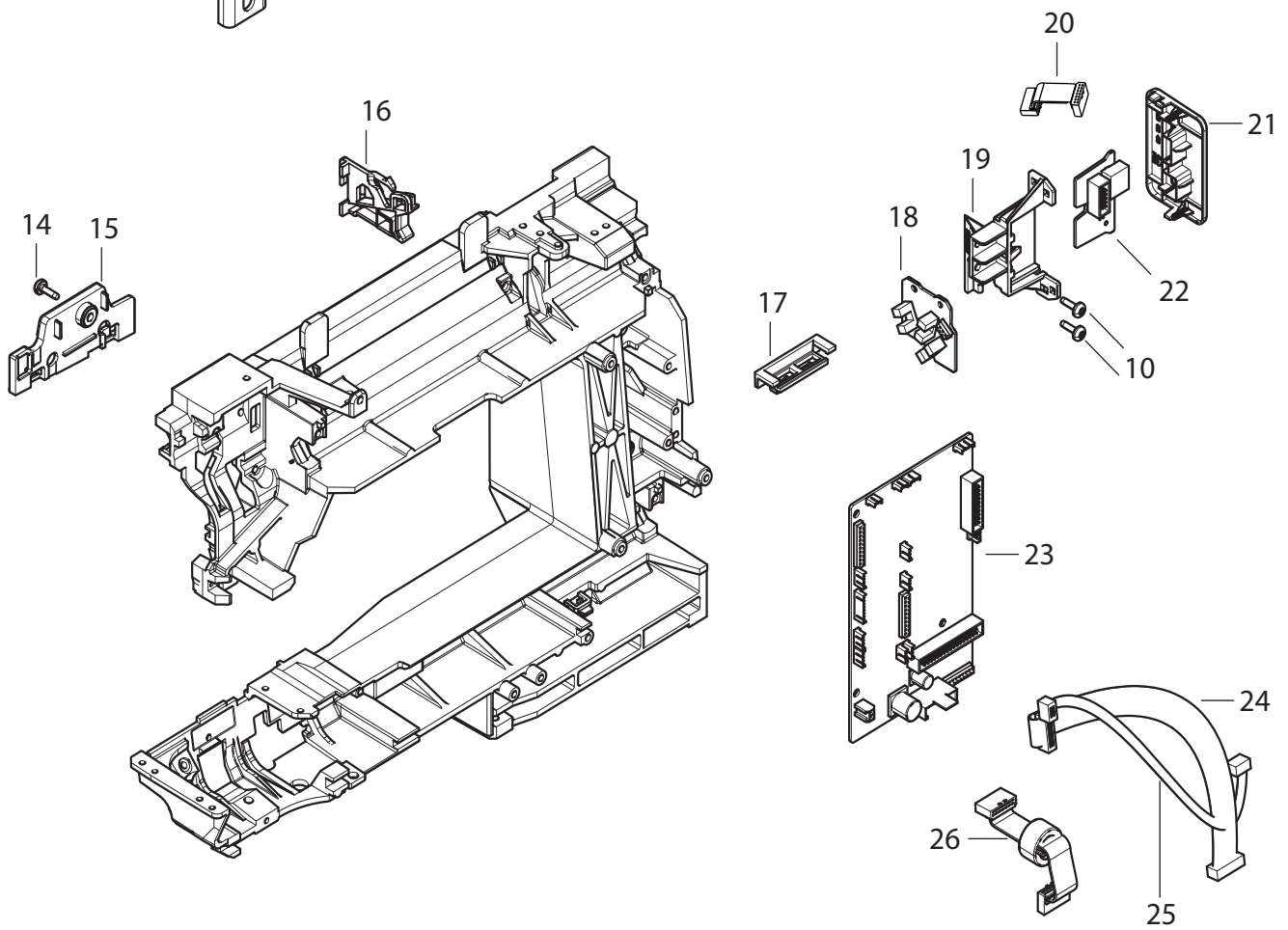
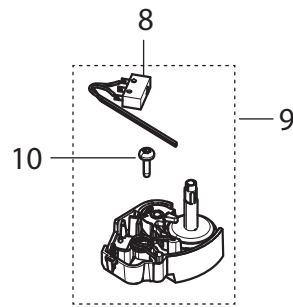
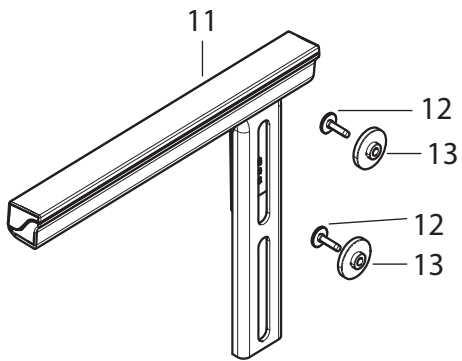
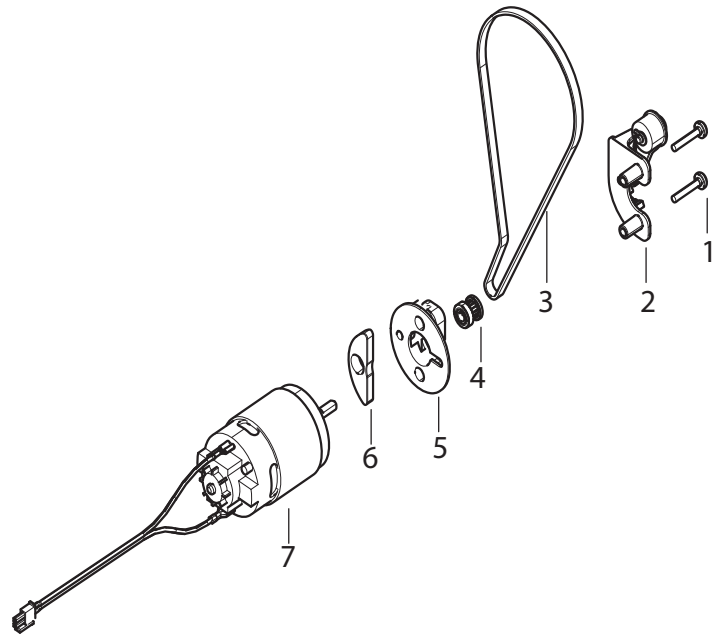
1	413139901	BUSHING
2	413053314	LID CPL. PERFORMANCE 5.0
3	413057301	BACK COVER, PFAFF HIGH
4	413390102	POWER SUPPLY CPL.
5	413034703	BOTTOM COVER CPL. KNEE LIFT
6	412954501	BOTTOM PLATE
7	412305001	RUBBER FOOT, BASE PLATE
8	411966812	SCREW PT 40*40 FZB TORX
10	413052502	LID, XY-UNIT
11	411967105	SCREW PT FS 40x20 FZB TORX
12	412056005	SCREW TAPTITE M4*10 TORX

C



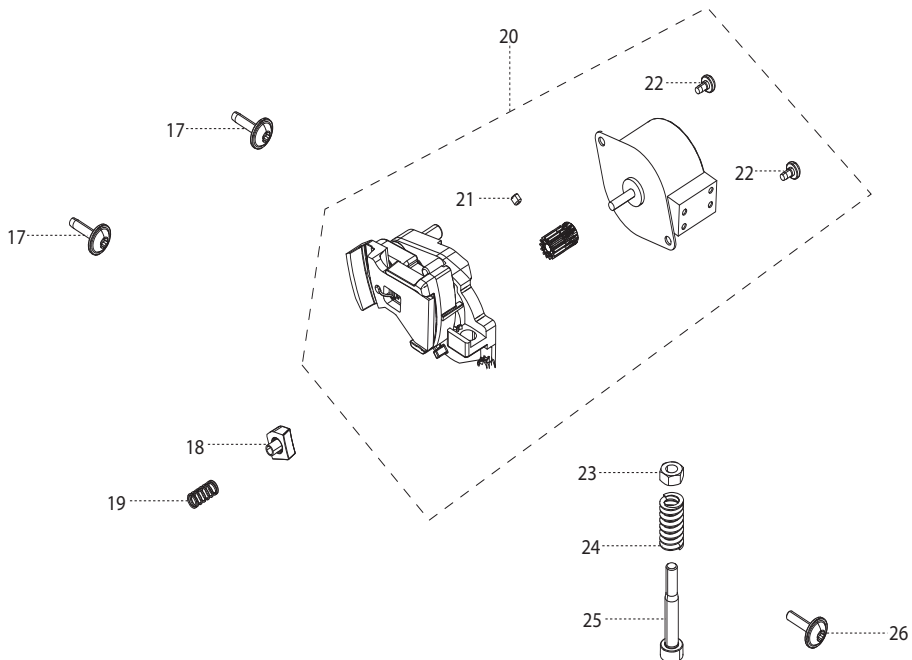
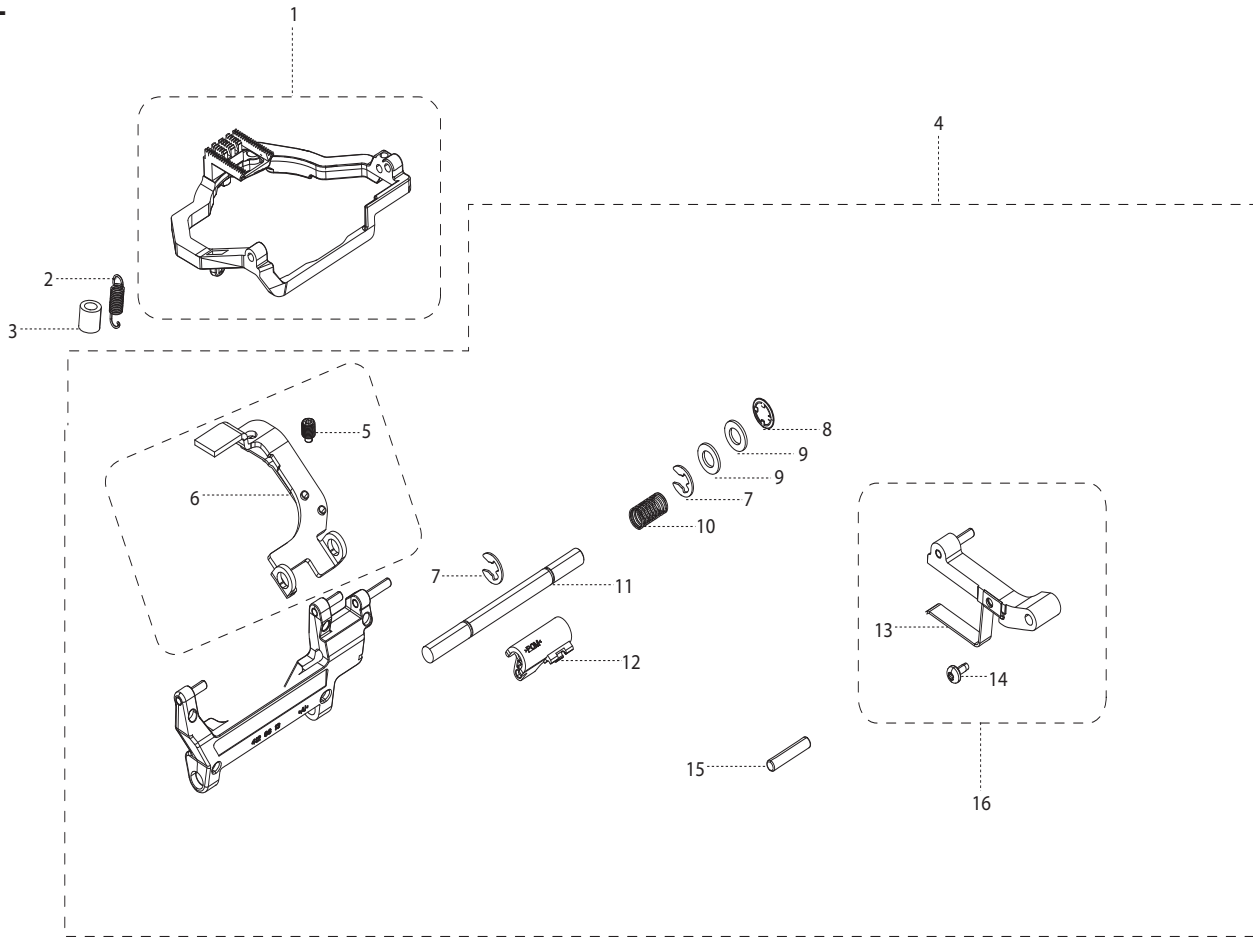
1	413064706	TOP COVER CPL.
2	413051601	SPOOL HOLDER 22 MM
3	413051603	SPOOL HOLDER 45 MM
4	9303017435000	GUIDE PIN
5	9303906805000	THREAD GUIDE, BOBBIN WINDER
6	9303205025000	THREAD GUIDE
7	9304006005000	SPRING
8	1261814045000	RING PN 12618-3,5
9	412056005	SCREW TAPTITE M4*10 TORX
10	411966801	SCREW PT 30x7,5 FZB TORX
11	413064501	REEL PIN
12	412735201	PLATE SPRING
13	412423701	THREAD CUTTER
14	411966803	SCREW PT 30x12 FZB TORX
15	413108901	STOP
16	412569701	DAMPER
17	412960401	THREAD REEL PIN
18	413060201	THREAD GUIDE
19	413190001	THREAD GUIDE CPL.
20	413064602	THREAD GUIDE
21	413004004	THREAD SENSOR CPL.
22	412519202	CHECK SPRING
23	413004301	ADJUSTING SLEEVE
24	412519301	THREAD GUIDE
25	413004501	THREAD CONTROL, THREAD SENSOR
26	411966820	SCREW 30*10 FZB KOMBITORX
27	413022501	COVER THREAD KNIFE CPL. WIN.

D



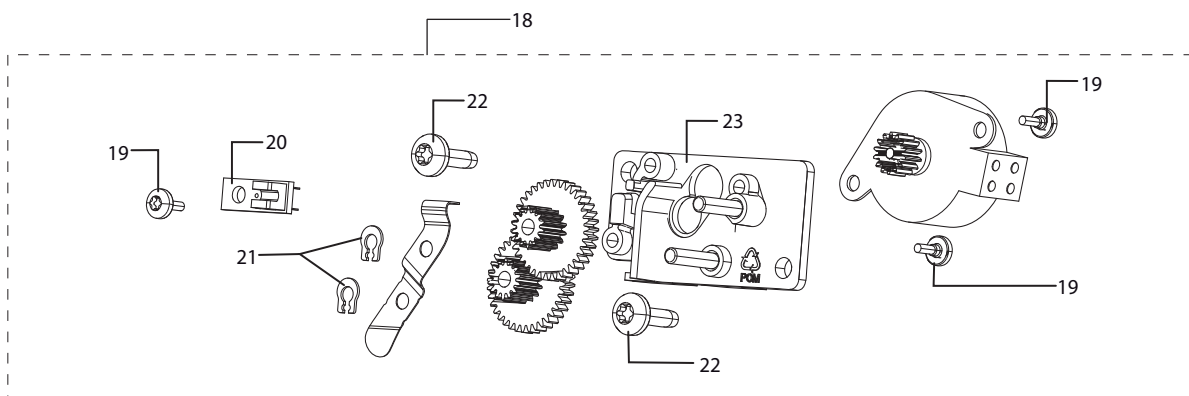
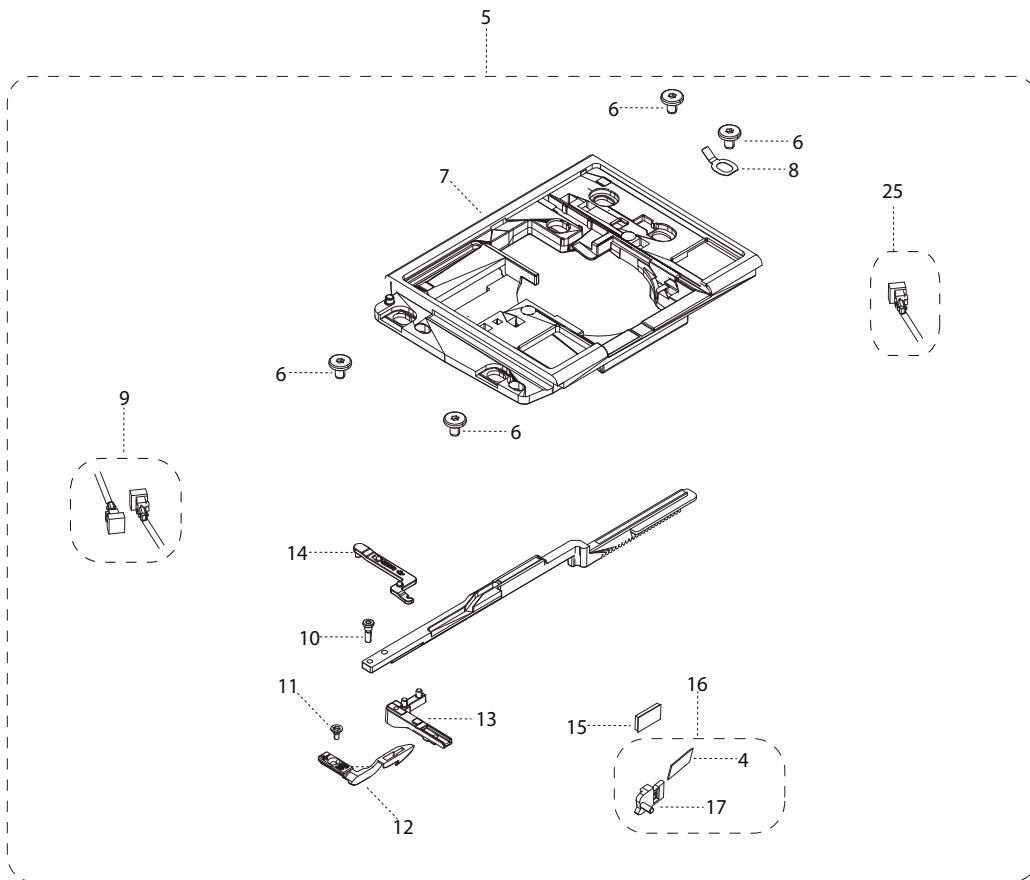
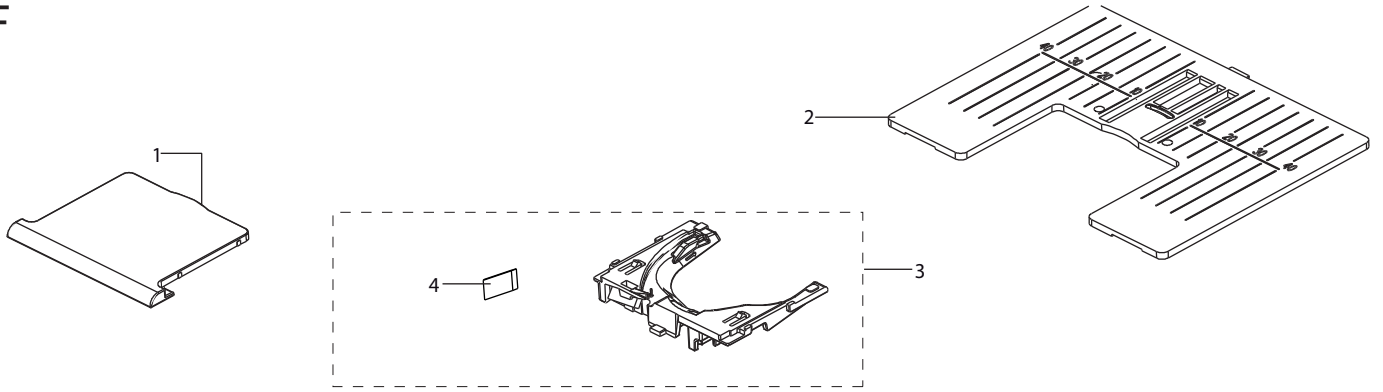
1	412211415	SCREW M4*20 TORX
2	412971901	BELT STRETCHER CPL.
3	413020201	COG BELT MOTOR
4	412353302	DRIVING WHEEL MOTOR 350, 400, 500
5	412999901	RUBBER DAMPER, MOTOR
6	413317201	SPACER BLOCK MOTOR
7	9233011191000	ENGINE DOMEL
8	413049101	MICRO SWITCH CPL.
9	412955501	BOBBIN WINDING UNIT
10	412056006	SCREW TAPTITE M4*12 TORX
11	413056101	HANDLE PART CPL.
12	412281902	SCREW FLANGE M4*14 TT TORX
13	413056501	BUSHING, HANDLE
14	412056001	SCREW TAPTITE M5*14 TORX
15	413063901	CABLE SHIELD
16	413024101	CABLE LOCATOR
17	413075601	CABLE LOCATOR
18	412986401	SENSOR BOARD, ASS
19	412985501	HOLDER
20	413108801	CABLE, USB
21	413024603	COVER, USB SINGEL
22	413024402	USB BOARD SINGLE CPL.
23	413249248	CONTROL BOARD BASE PERFORMANCE 5.0
24	413358602	CABLE ASSEMBLY (26P)
25	413358601	CABLE ASSEMBLY (10P)
26	412349704	CABLE TRANSF.-CONTROL BOARD

E



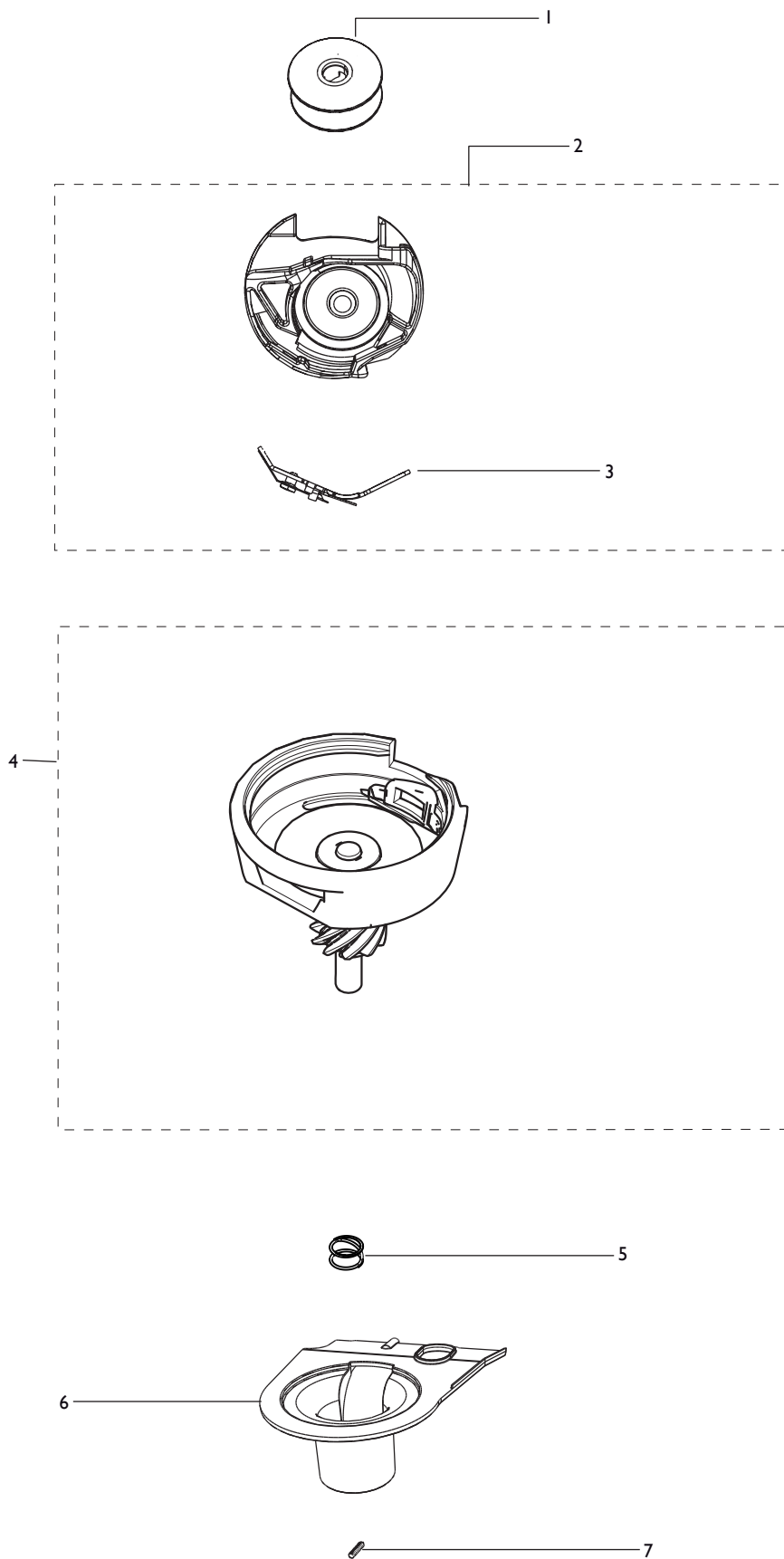
1	413201303	FEED DOG, CPL.
2	413270001	TENSION SPRING, FRAME FEED DOG
3	413112601	BUFFER
4	413269007	CARRAGE FEED, CPL.
5	413201201	ADJUSTMENT SCREW, FEEDER
6	413200901	LEVEL FEED LIFT, CPL.
7	735310920	SNAP RING E-5
8	412368001	LOCK WASHER
9	412829103	WASHER FEED UNIT
10	412962501	SPRING FEED DOG LOWERING
11	412962301	SHAFT, FEED
12	413034201	INSERT, LEVER FEED LIFT
13	412961501	SPRING FEED
14	412056004	SCREW TAPTITE M3*6 TORX
15	412316023	INA PIN NRB 4*19,8 0-2µm
16	412961601	LINK, CARRIAGE FEED, CPL.
17	413169401	COLLAR SCREW TT TORX 4*14
18	412961801	BLOCK, GUIDE
19	412961701	SPRING, SLIDING BLOCK
20	412963501	STEPPING MOTOR UNIT, FEED
21	411968703	SET SCREW FLAT, M3x3 TORX
22	412056011	SCREW TAPTITE M3*5 TORX
23	413025401	NUT M5x0,5
24	412963601	SPRING
25	412963701	SCREW BALANCE ADJUSTMENT
26	413034402	COLLAR SCREW M4x10,LEFT HAND

F



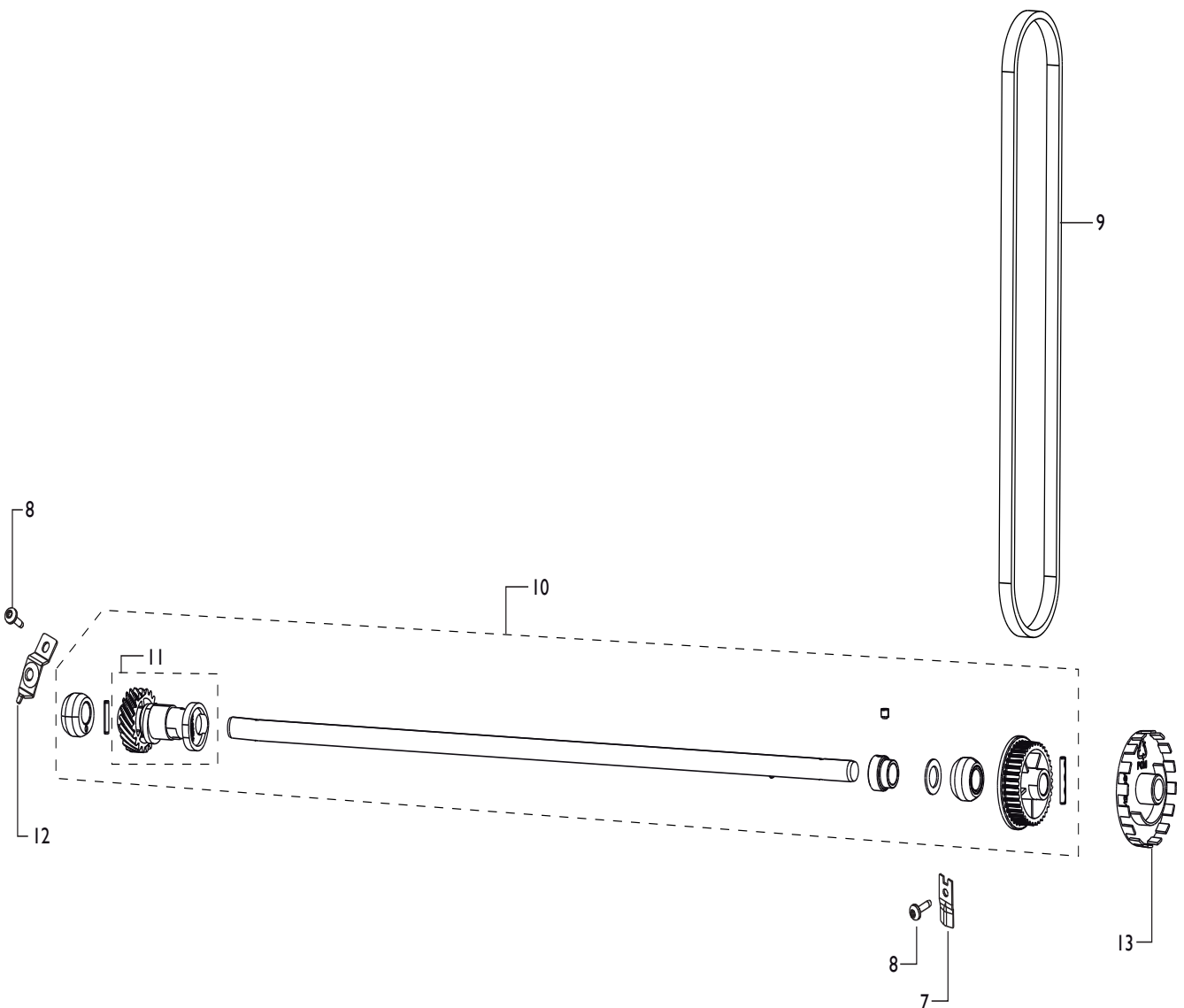
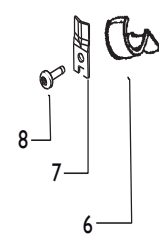
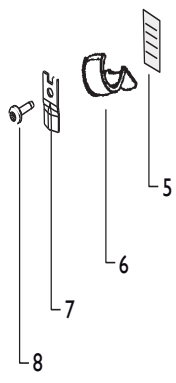
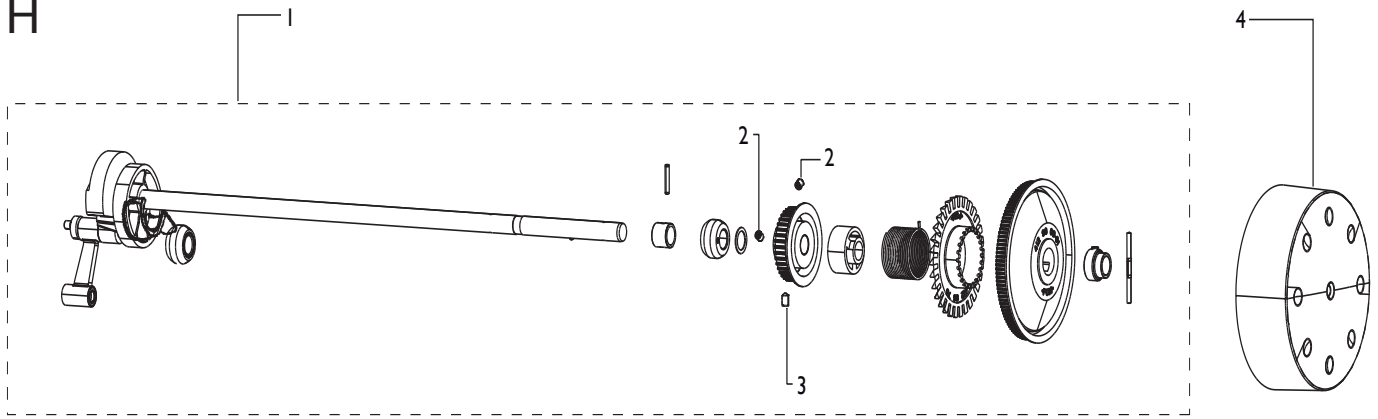
1	412963901	BOBBIN COVER
2	412964305	STITCH PLATE PFAFF INCH/MM
3	413025601	BOBBIN CASE HOLDER CPL
4	412423701	THREAD CUTTER
5	412964004	HOOK COVER CPL. CUT. AND SENS.
6	412287903	SCREW M4*5 FZB
7	412964105	HOOK COVER
8	412997701	ESD SPRING, STITCH PLATE
9	413101502	CABLE ASSY. BOBBIN SENSOR
10	413010001	GUIDE PIN
11	412280501	SCREW, COUNTERSUNK
12	413007101	FETCHER
13	413072201	CONNECTING PART, FETCHER
14	413007301	FETCHER UPPER THREAD
15	413116701	THREAD BRAKE
16	413047301	KNIFE HOLDER CPL.
17	413007701	KNIFE HOLDER
18	413007401	STEPPING MOTOR CPL.
19	411966828	SCREW PT 30*6 FZB TORX
20	413072501	CUT SENSOR ASS.
21	735612440	COMPRESSION RINGS Ø3
22	412056006	SCREW TAPTITE M4*12 TORX
23	413007502	MOTOR PLATE CPL.
25	413272501	STITCH PLATE SENSOR ASSY.

G

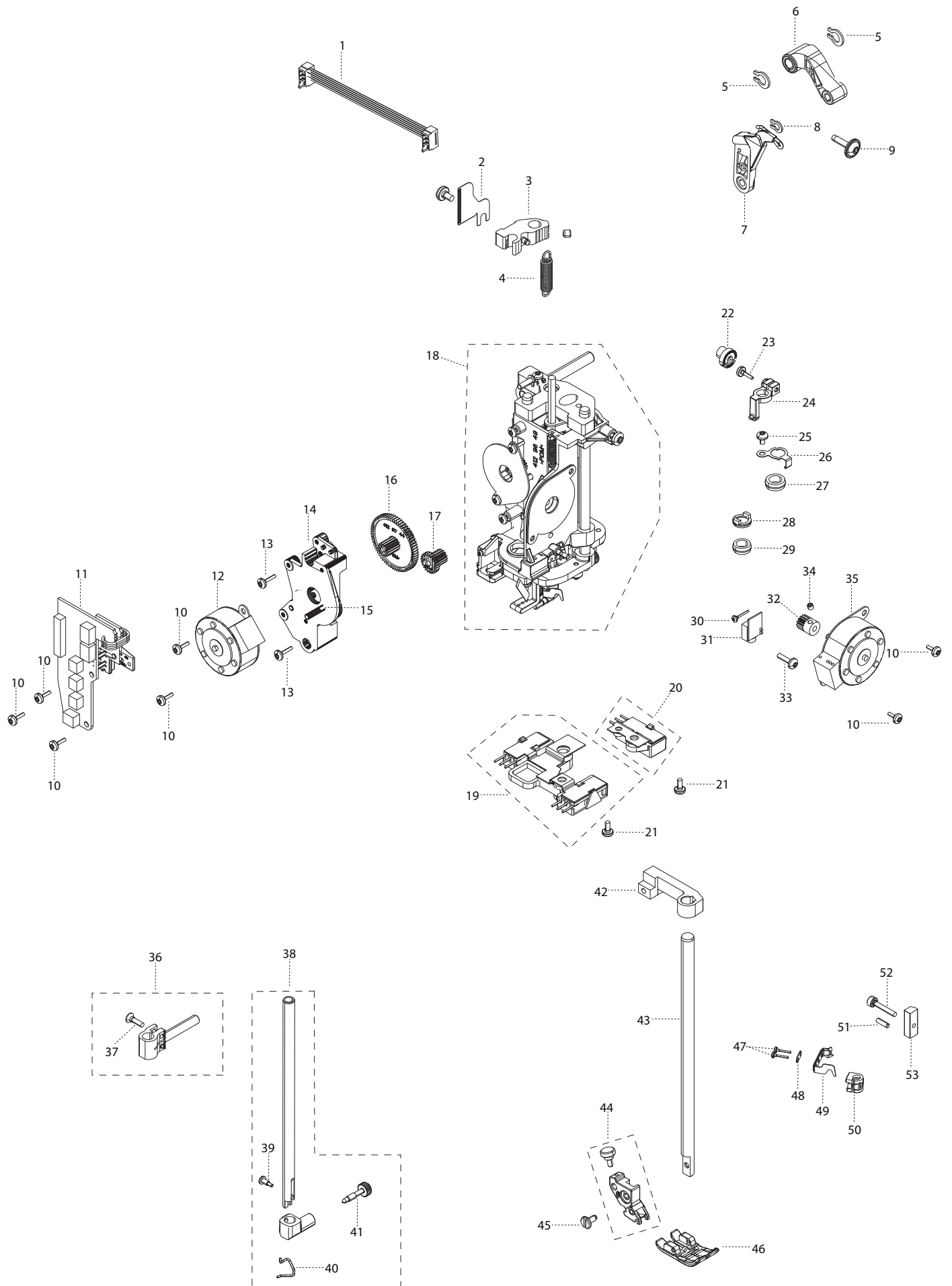


1	820921096	BOBBINS CPL. PF, GREY 10P
2	413058903	BOBBIN CASE CPL.
3	412471601	THREAD TENSION CPL.
4	412876902	HOOK CPL WITH SHAFT
5	412930101	SPRING, HOOK
6	412964502	DUST COVER
7	728528705	SCREW M4*8

H

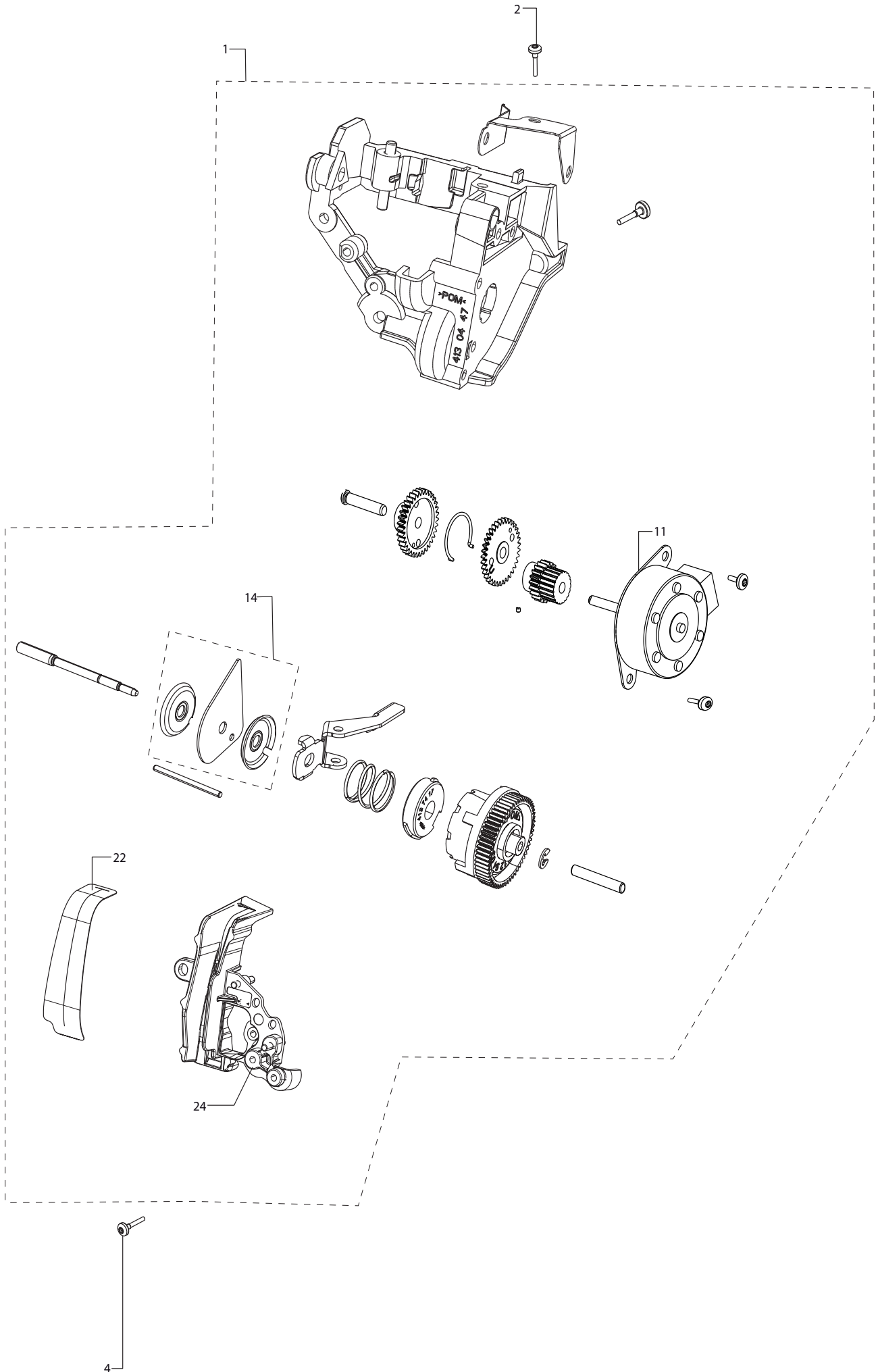


1	412966705	UPPER SHAFT CPL.
2	411968706	SET SCREW FLAT, M4*4 TORX
3	411968807	SET SCREW POINTED, M4*6 TORX
4	413040301	HAND WHEEL
5	412687601	GROUND TAPE
6	412558401	ABSORBER
7	412328401	CLAMP
8	412056006	SCREW TAPTITE M4*12 TORX
9	413020301	COG BELT UPPER-LOWER SHAFT
10	412967903	LOWER SHAFT CPL.
11	412964403	ECCENTRIC FEED CPL.
12	412318101	CLAMP LOWER SHAFT
13	412968101	SHIELD, REVOLUTION INDICATOR



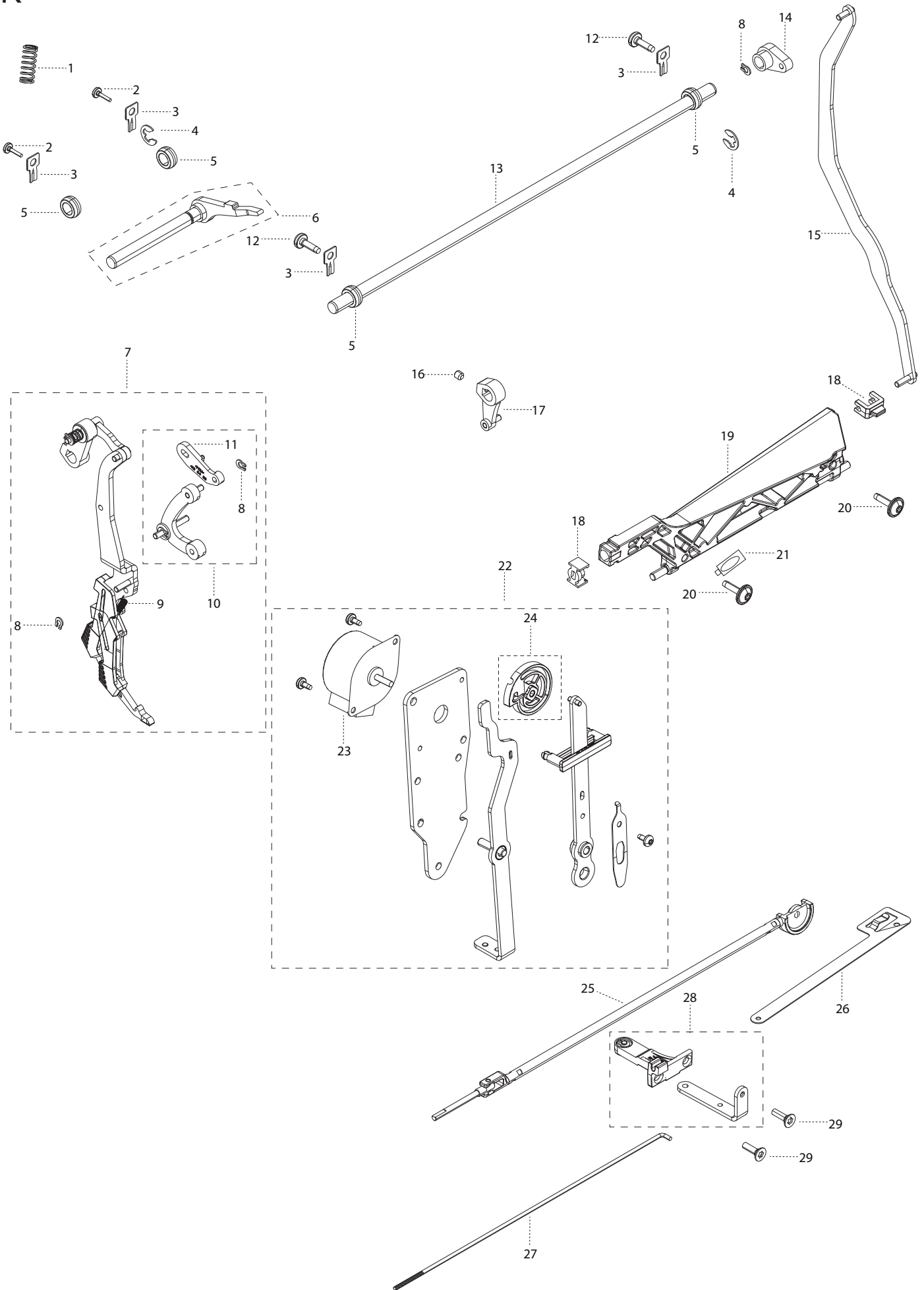
1	412546912	CABLE ASSEMBLY (18PIN)	49	413238402	NEEDLE THREADER
2	412973901	SHIELD, PRESSERFOOT SERVO	50	413053601	HOLDER, NEEDLE THREADER
3	413261601	GUIDE, SERVO, CPL.	51	728522205	SOCKET SET SCREW FLAT POINT
4	413137602	SPRING, PRESSER FOOT PRESSURE	52	725522805	SCREW M3x16 INSEX
5	735615340	COMPRESSION RINGS Ø6	53	412966601	WEDGE
6	413047401	LINK			
7	413300302	TAKE UP LEVER			
8	735613640	COMPRESSION RINGS Ø4			
9	412281902	COLLAR SCREW TT TORX 4*14			
10	411966801	SCREW PT 30*7,5 FZB TORX			
11	413353801	CONN.BOARD SERVO SENS.			
12	413005901	STEPPING MOTOR, CPL.			
13	411966820	SCREW 30*10 FZB KOMBITORX			
14	412974201	GEARHOUSE, SERVO			
15	412316010	INA PIN NRB 3*17,8 O-3 um			
16	412974401	GEARWHEEL SERVO SEC			
17	412974301	GEARWHEEL SERVO PRIM			
18	413244201	SEWING HEAD CPL A HV/PF SPARE			
19	413138003	LED HOLDER COMPL, LEFT			
20	413137903	LED HOLDER COMPL, RIGHT			
21	412211402	SCREW M3*6 TORX			
22	412966501	CALIBRATION KNOB			
23	413019001	SCREW K 30x8 PT WN 1452 S			
24	412993502	STROKE LIMITER			
25	412211401	SCREW M3*4 TORX			
26	413060301	CLIPS, GABLE LOWER			
27	412500601	BEARING			
28	412501501	BEARING 10/6, 35-4			
29	412504701	LOCKING DEVICE			
30	411966821	SCREW PT 18*10 FZB TORX			
31	413031001	BUTTONSENS CONN.ASS.			
32	413057201	GEAR, Z-Z			
33	412211404	SCREW M3*10 TORX			
34	411968703	SET SCREW FLAT, M3x3 TORX			
35	412993901	STEPPING MOTOR			
36	412993604	CROSS HEAD, CPL.			
37	412280504	SCREW FS M3*10 FZB TORX			
38	68008798	NEEDLE BAR, CPL. PF			
39	413094701	SCREW THREAD GUIDE			
40	413094602	THREAD GUIDE			
41	413094801	NEEDLE SCREW			
42	413045801	PRESSER BAR GUIDE SERVO, IDT			
43	412285403	PRESSER BAR AVANTI			
44	413039201	HOLDER PRESSER FOOT, CPL.			
45	413040401	SCREW HOLDER PRESSER FOOT			
46	820773096	STANDARD PRESSER FOOT W. IDT			
47	411966825	SCREW PT 16*8 FZB TORX			
48	412876701	WASHER, NEEDLE THREADER			

J

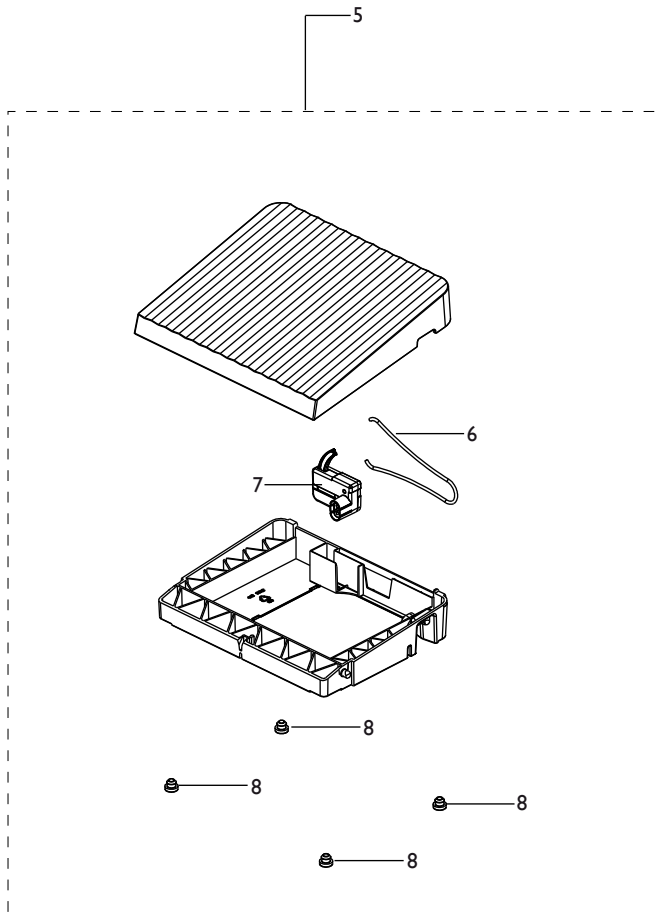
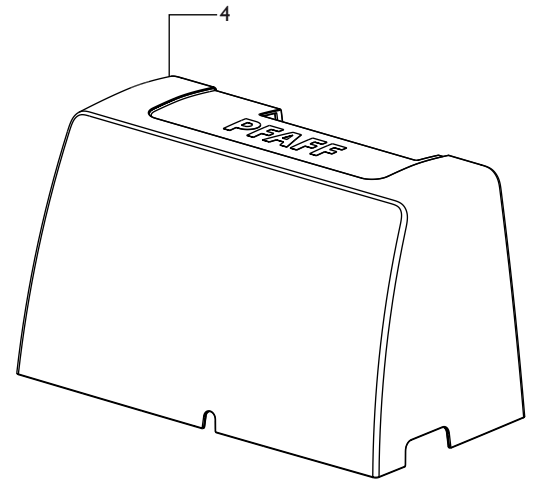
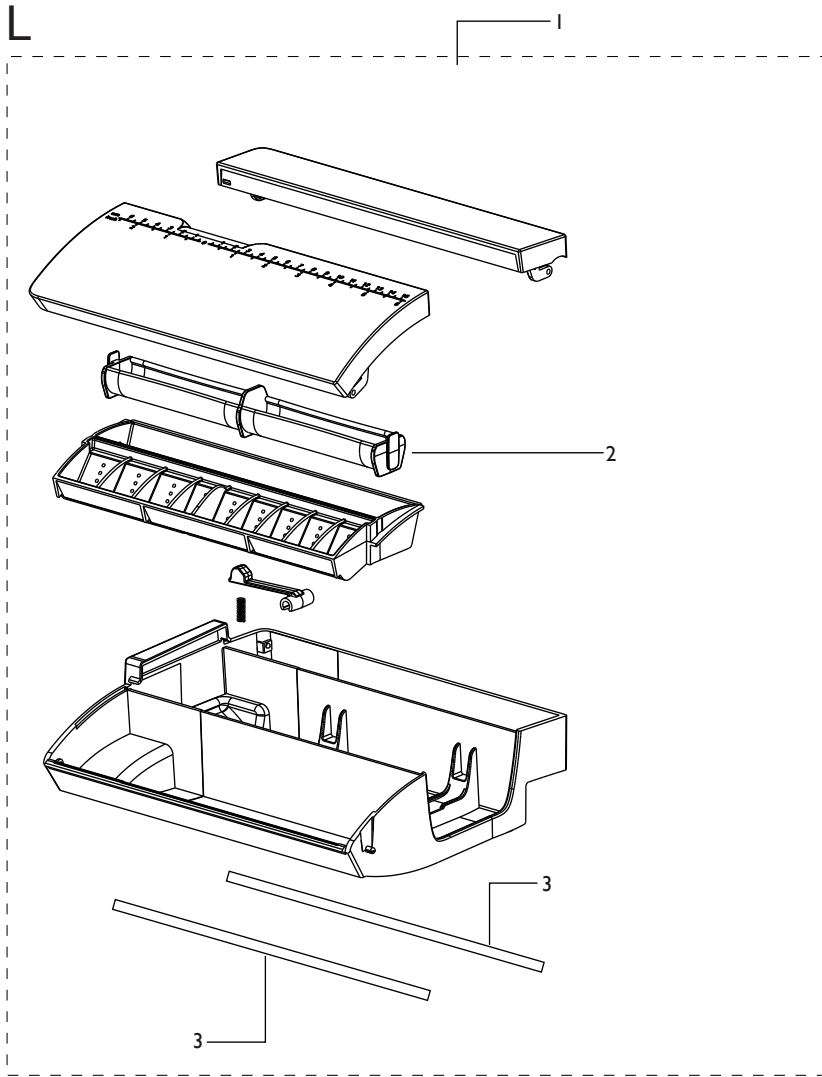


1	412940203	THREAD TENSION ASS.
2	411966803	SCREW PT 30*12 FZB TORX
4	411966807	SCREW PT 40*10 FZB TORX
11	412993903	STEPPING MOTOR
14	413106402	THREAD DISK KIT
22	413218502	SEALING, TAKE UP LEVER
24	413232202	SHIELD, TAKE UP LEVER, ASSY.

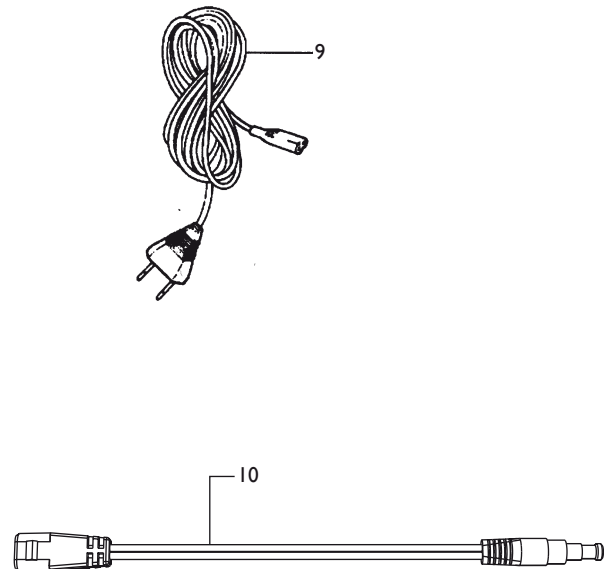
K



1	413065901	COMPRESSION SPRING, HEIGHT CAM
2	411966820	SCREW 30*10 FZB KOMBITORX
3	413042901	CLAMP, IDT
4	735310920	SNAP RING E-5
5	413042601	BEARING, IDT
6	413065701	HEIGHT SHAFT, IDT, CPL.
7	413043201	ARM, IDT, CPL.
8	735612440	COMPRESSION RINGS 3mm
9	413043101	COMPRESSION SPRING
10	413140801	TOGGLE LINK, IDT, CPL.
11	413043601	LOWER SLEWING BRACKET, IDT
12	412056005	SCREW TAPTITE M4*10 TORX
13	413042401	SHAFT UPPER, IDT
14	413042501	REAR CRANK, IDT
15	413043001	LINK IDT, LONG
16	411968706	SET SCREW FLAT, M4x4 TORX
17	413046201	HEIGHT CRANK, IDT, CPL.
18	413042201	FEEDER BEARING, IDT
19	413041901	CONNECTOR FEEDER, IDT
20	413169401	COLLAR SCREW TT TORX 4*14
21	413140701	CLAMP SHAFT, IDT
22	413060001	SIDE FEED, FEED DOG FROP CPL
23	412997902	STEPPING MOTOR, SIDE FEED
24	413060101	CAM WHEEL, CPL.
25	413033701	PULL ROD, SIDE FEED, CPL.
26	413033401	TRANSM. LINKAGE, FEED DOG DROP
27	413034101	PULL WIRE, FEED DOG DROP
28	413034501	LINKAGE UNIT, FEED DROP
29	411967212	SCREW TAPTITE FS M4x12 TORX

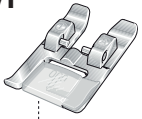


POWERCORD

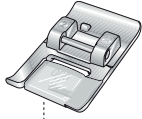


1	413083903	ACCESS.BOX CPL W. SPOOL HOLD.
2	412737401	BOBBIN HOLDER
3	412529702	FRICITION TAPE
4	413071902	COVER CPL.
5	412991401	FOOT CONTROL CPL. GREY N.WIND
6	412159801	SPRING
7	412318901	CONTROL UNIT INCL. CARD CV
8	412184501	FOOT
9	412157801	NET CABLE 220V
	412157902	NET CABLE 120V JP
	412157903	NET CABLE 120V
	412158002	NET CABLE GB
	412158101	NET CABLE AU
10	413021501	CABLE, FOOT CONTROL

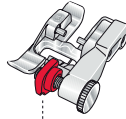
M



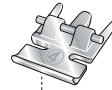
2



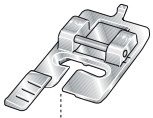
3



4



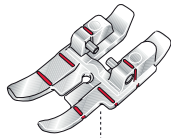
5



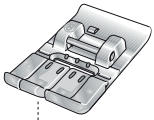
7



8



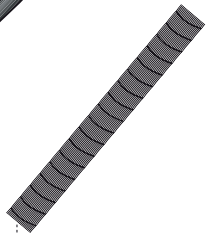
10



11



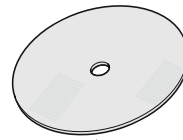
12



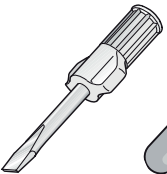
13



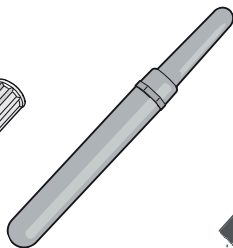
14



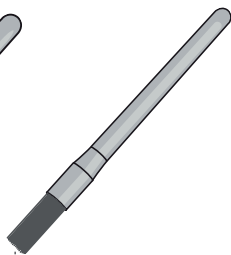
15



17



18



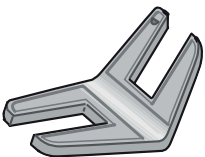
19



20



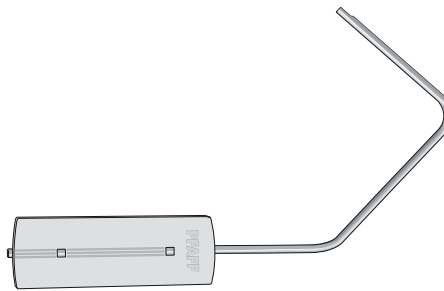
21



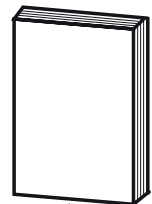
23



24



25



26

STANDARD ACCESSORIES

1	413358507	ACCESSORY BAG CPL.
2	413059801	PRESSER FOOT 1A FANCY STITCHFOOT W IDT
3	413060501	PRESSER FOOT 2A FANCY STITCH FOOT, CPL.
4	820256096	PRESSER FOOT 3 BLINDHEM FOOT W IDT
5	820248096	PRESSER FOOT 4 ZIPPER FOOT
7	820672096	PRESSER FOOT 5M MAN. BUTTUNHOLE FOOT
8	820671096	PRESSER FOOT 6A EMB/SENSORMATIC FREE M TION FOOT
10	412864906	1/4" QUILTING FOOT WITH IDT™ SYSTEM
11	820778096	PRESSER FOOT 8 MAXI STITCH FOOT
12	412693410	STYLUS, TRANSPARENT
13	412397701	THREAD NET 15X100
14	820251096	EDGE RULER
15	412610701	FELT PAD
17	412381501	SCREWDRIVER
18	401539901	BUTTON HOLE KNIFE
19	413190401	BRUSH
20	413051603	SPOOL HOLDER 45MM
21	413051602	SPOOL HOLDER 35MM
23	413105601	CLEARANCE PLATE
24	820921096	BOBBIN 10 PACK
25	413109701	KNEE LIFTER CPL.
27	620071196	NEEDLE BOX, INSPIRA
28	412964304	STRAIGHT STITCH PLATE, iNCH
29	820249096	PRESSER FOOT 7 ROLLED HEM FOOT W IDT
26	USER'S GUIDE	
	413357301	SWE
	413357306	DEN
	413357311	FIN
	413357321	NOR
	413357326	ENG
	413357331	FRA
	413357336	DUT
	413357341	ITA
	413357346	SPA
	413357351	GER
	413357356	RUS
	413357390	CZE
	413173196	COMMUNICATION CD