

PFAFF®

PASSPORT 2.0

Ersatzteile-Liste
List of spare parts
Liste des pièces détachées
Catalogo pezzi staccati
Lista de piezas de repuesto



Please note that on disposal, this product must be safely recycled in accordance with relevant National legislation relating to electrical/electronic products. If in doubt please contact your retailer for guidance.



Bitte beachten Sie, dass hinsichtlich der Entsorgung dieses Produkts, vorschriftsmäßig entsprechend der gültigen nationalen Gesetzgebung für elektrische/elektronische Produkte, recycelt werden muss. Bei Zweifel setzen Sie sich bitte mit Ihrem Fachhändler in Verbindung.



Veuillez noter qu'en cas de destruction, ce produit doit bénéficier d'un recyclage sécurisé, conforme à la législation nationale applicable aux produits électriques/électroniques. En cas de doute, veuillez contacter votre distributeur agréé.

- All casted parts within our products are marked with name of material if allowed by size.
- All molded plastic parts within our products are marked with name of material if allowed by size.

Nicht nummerierte Teile im Katalog werden nicht geliefert.

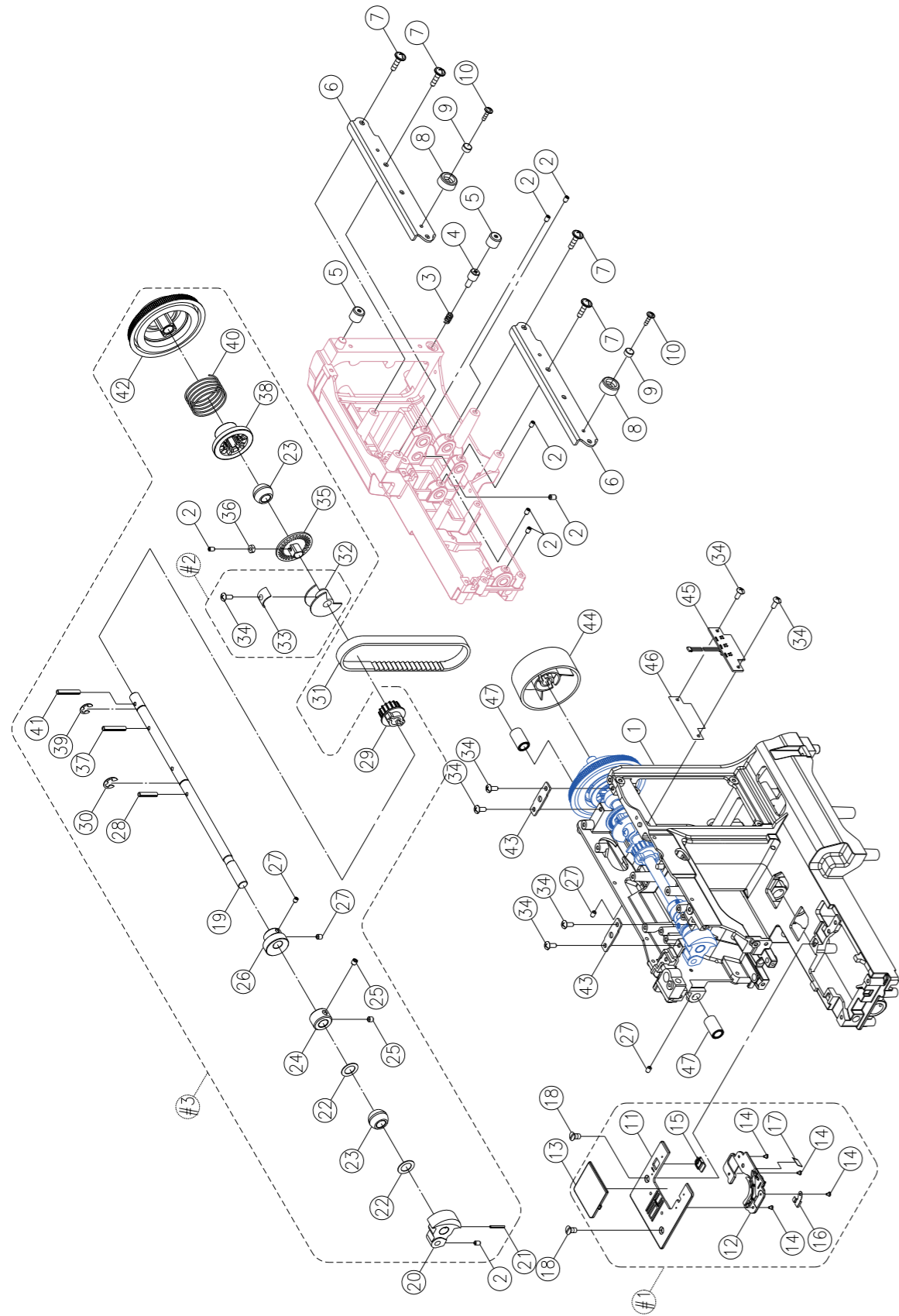
The parts mentioned without number in the parts list are not available.

Les pièces qui ne sont pas numérotées dans la liste de pièces détachées ne peuvent être livrées.

Pezzi non catalogati non sono disponibili.

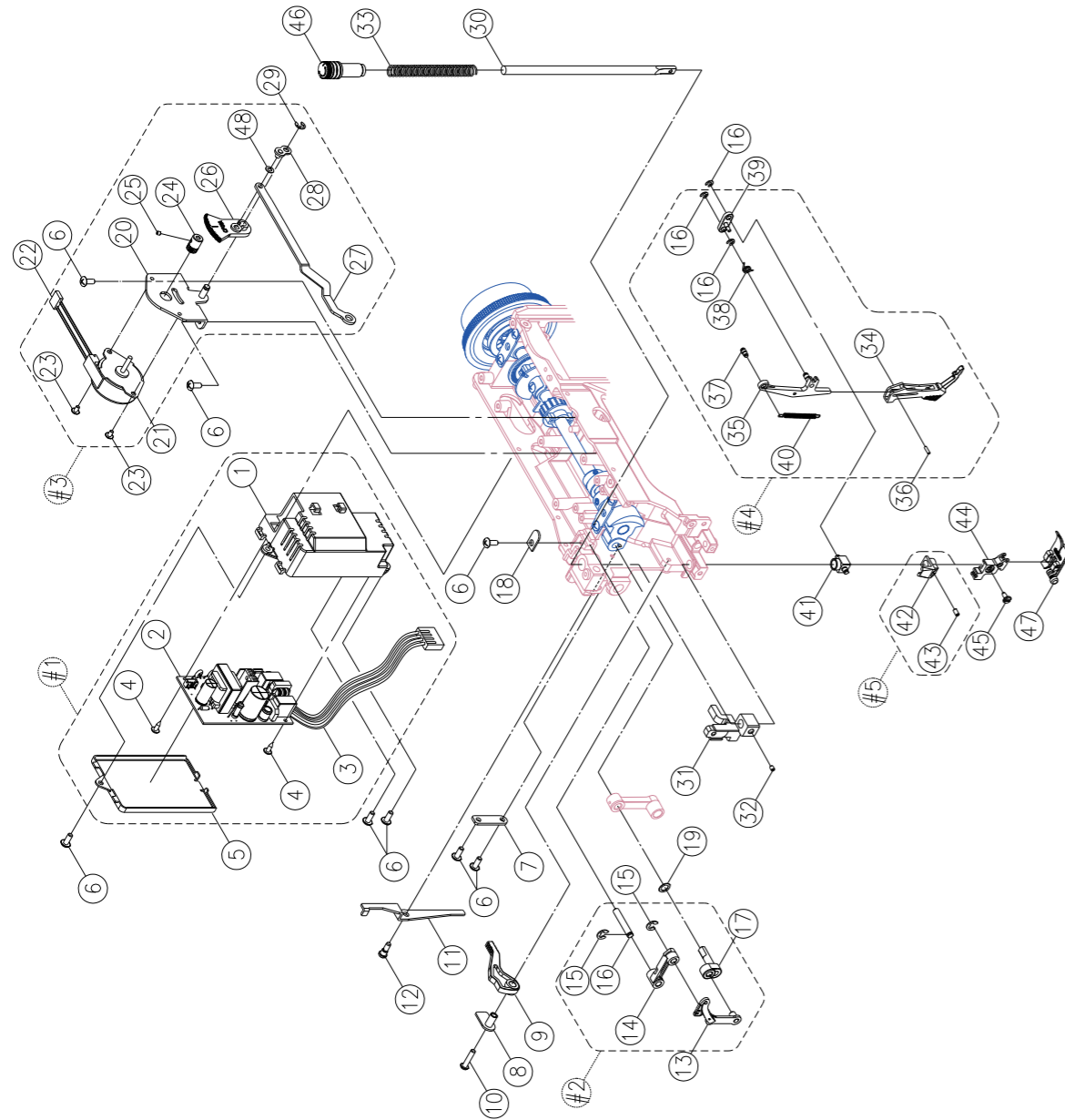
Las piezas de repuesto sin número en esta lista no se entregarán.

A



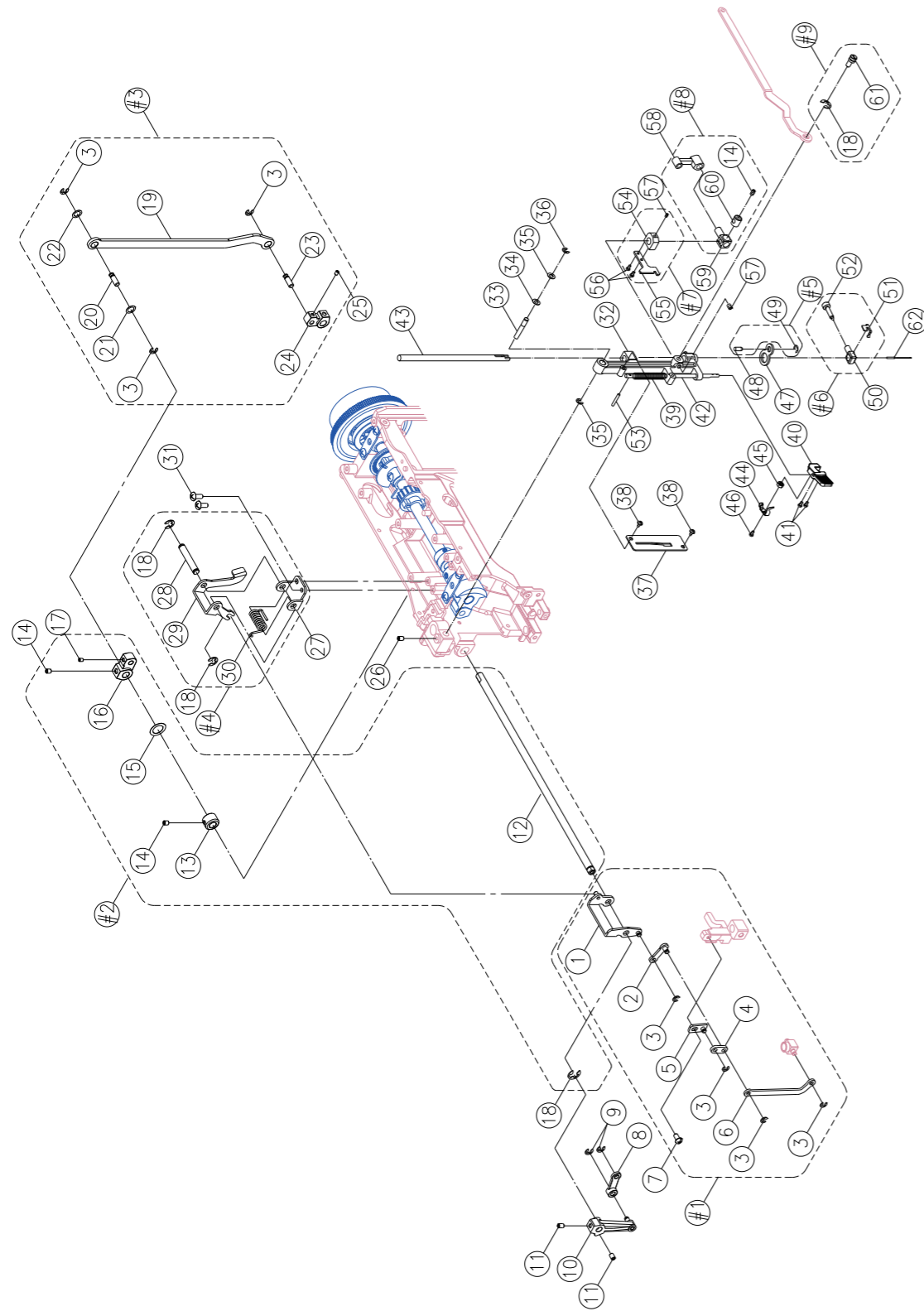
No.	Part No.	Description
1		ARM COMPLETE
2	416122101	SCREW (M4×6 C)
3	416147301	BASE PLATE ADJUSTMENT SCREW SPRING
4	416154501	BASE PLATE ADJUSTMENT SCREW
5	270 K6A0063000	FREE ARM BASE CUSHION RUBBER
6	416679201	FREE ARM BASE CUSHION
7	270 004250426	SCREW(M5×10)
8	270 F31103000	FREE ARM BASE CUSHION RUBBER
9	416542201	SPACER
10	270 004240586	SCREW(M4×8)
11	416679601	NEEDLE PLATE
12	416568701	NEEDLE PLATE SUPPORTER
13	416679701	NEEDLE PLATE COVER
14	270 0042200016	SCREW (M2X3)
15	416155201	NEEDLE PLATE COVER OPEN
16	416147501	NEEDLE PLATE SPRING
17	416172501	THREAD CUTTER
18	416122901	SCREW (M4×6)
19	416680001	ARM SHAFT
20	416566401	ARM SHAFT BALANCE
21	270 003043524	ARM SHAFT BALANCE PIN (ϕ 3.5×24)
22	270 004400080	ENDURE ATTRITION WASHER
23	416156301	ARM SHAFT BUSING
24	416156501	ARM SHAFT COLLAR
25	416123601	SCREW(M5×5 C)
26	416577001	SHANK CAM (2)
27	416121001	SCREW (M4×5 C)
28	416117601	SPRING PIN (ϕ 3×18)
29	270 H1A0403000	ARM SHAFT SPROCKET
30	416116501	E-RING(ETW-9)
31	270 00742505M6	MOTOR DRIVE BELT
32	416642001	ROTARY SENSOR COLLAR
33	270 D3A0043002	ARC WASHER
34	416121501	SCREW(M4×8 A)
35	416129601	REVOLUTION CONTROL PANEL
36	270 004840022	NUT (M4 T=3)
37	270 003043028	SPRING PIN (ϕ 3×28)
38	416307201	ARM SHAFT COLLAR
39	270 003010083	E-RING (ETW-8)
40	270 D5A0573003	SPRING
41	270 003043030	SPRING PIN (ϕ 3×30)
42	270 H1A0103000	ARM SHAFT DRIVE BELT PULLEY
43	416680901	ARM SHAFT BUSHING HOLDER PLATE
44	416476501	HAND WHEEL
45	416681001	PHOTO SENSOR PLATE
46	416577301	INSULATING SLICE
47	416578601	FEED ROCK BUSHING
#1	416679601	NEEDLE PLATE COMPLETE
#2	416681101	REVOLUTION CONTROL PANEL COMPLETE
#3	416740201	ARM SHAFT COMPLETE

B



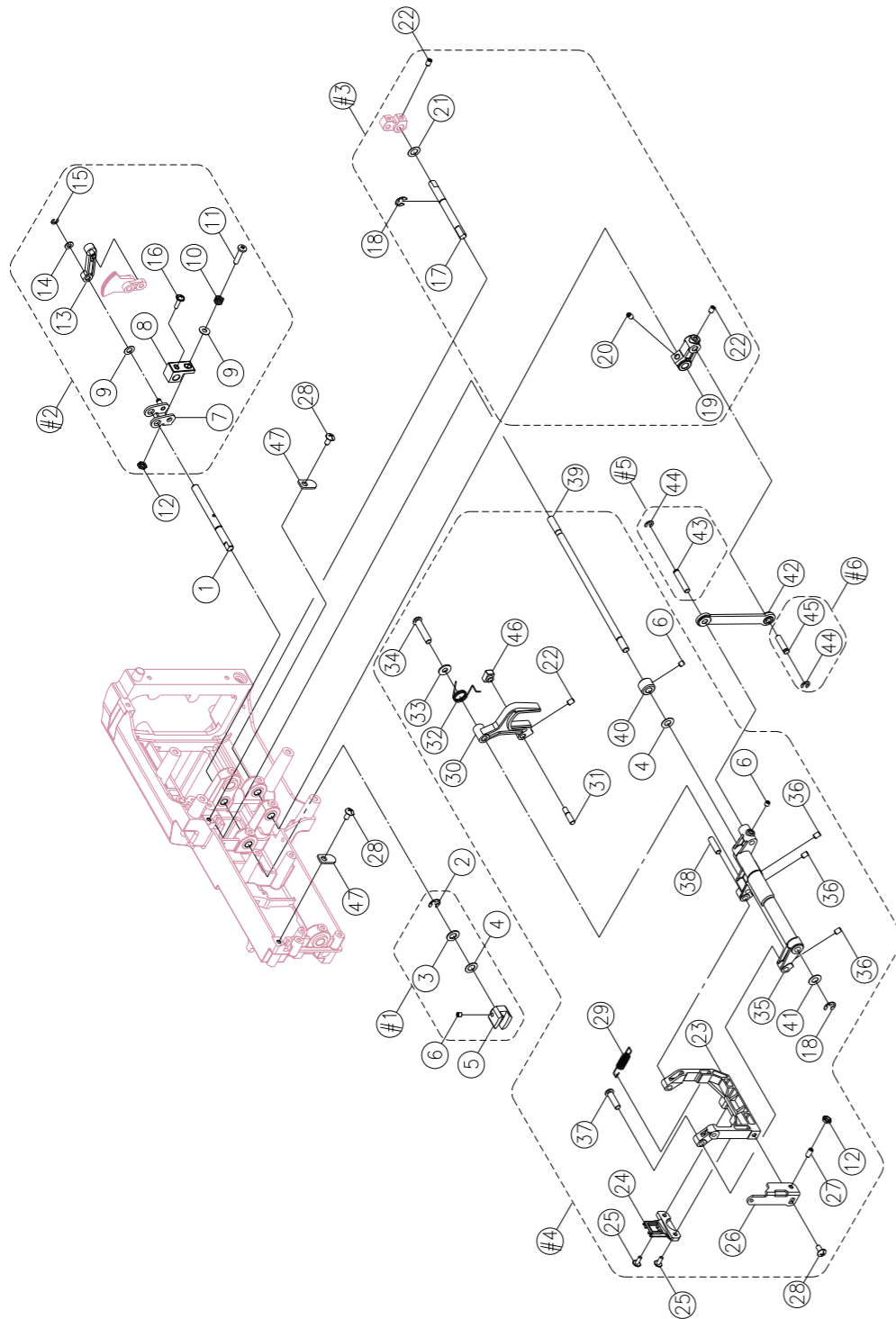
No.	Part No.	Description
1	416681201	HF TRANSFORMER BOX
2	416681301	HF TRANSFORMER COMPLETE FOR U.S.A.
2	416681401	HF TRANSFORMER COMPLETE FOR EU.
3	416643402	HF TRANSFORMER WIRE FOR U.S.A.
3	416643401	HF TRANSFORMER WIRE FOR EU.
4	270 004230216	SCREW(M3×8.5)
5	416681401	HF TRANSFORMER BOX COVER
6	416121501	SCREW(M4×8 A)
7	416578101	PRESSER BAR BRACKET PLATE
8	416477801	PRESSER BAR LIFTER LEVER SPACER
9	416477901	PRESSER BAR LIFTER LEVER
10	416422401	SCREW (M4x18B)
11	416586601	TENSION LEVER LIFTER
12	416579601	TENSION LEVER LIFTER SCREW
13	416484501	THREAD TAKE UP LEVER COMPLETE
14	416147701	THREAD TAKE UP LEVER SUPPORTER
15	416116001	E-RING(ETW-3)
16	416484501	THREAD TAKE UP LEVER SUPPORTER SHAFT
17	416484501	ARM SHAFT BALANCE PIN COMPLETE
18	416152201	CARRYING HANDLE SHAFT CFA
19	270 0044000020	ENDURE ATTRITION WASHER (φ6.2 x φ12 x 0.25)
20	416681801	ZIGZAG PULSE MOTOR PLATE COMPLETE
21	416681801	PULSE MOTOR #4
22	270 002P4C0006	ZIGZAG PULSE MOTOR LEAD CORD
23	416120601	SCREW(M3×5A)
24	416681801	PULSE MOTOR GEAR COMPLETE
25	416120001	SCREW(M3×3C)
26	416681801	ZIGZAG CRANK GEAR
27	416681801	NEEDLE BAR DRIVING ROD
28	416681801	NEEDLE BAR DRIVING ROD PLATE COMPLETE
29	270 003010046	E-RING (ETW-4)
30	416476801	PRESSER BAR
31	416577501	PRESSER BAR BRACKET
32	416123601	SCREW(M5×5C)
33	270 E1A2493003	PRESSER BAR SPRING
34	416578201	DUAL FEED SHANK
35	416477301	SHANK OF DELIVER CLOTH FOOT
36	416477401	PIN
37	416406801	PIN
38	416406501	SPRING
39	416578001	SHANK LEVER COMPLETE
40	416477601	SHANK SPRING
41	416405801	PRESSER BAR LIFTER SPACER
42	416476901	PRESSER BAR RING
43	416477101	SCREW (M3X6C)
44	416430501	SHANK COMPLETE
45	416430601	SCREW
46	416476701	PRESSER BAR SCREW
47	820773096	ALL PURPOSE FOOT
48	270 004300713	WASHER(φ5.2×φ10×0.2)
#1	416681301	HF TRANSFORMER BOX COMPLETE FOR U.S.A.
#1	416681401	HF TRANSFORMER BOX COMPLETE FOR EU.
#2	416484501	THREAD TAKE UP LEVER COMPLETE
#3	416681801	ZIGZAG PULSE MOTOR PLATE COMPLETE
#4	416484001	DUAL FEED SHANK COMPLETE

C



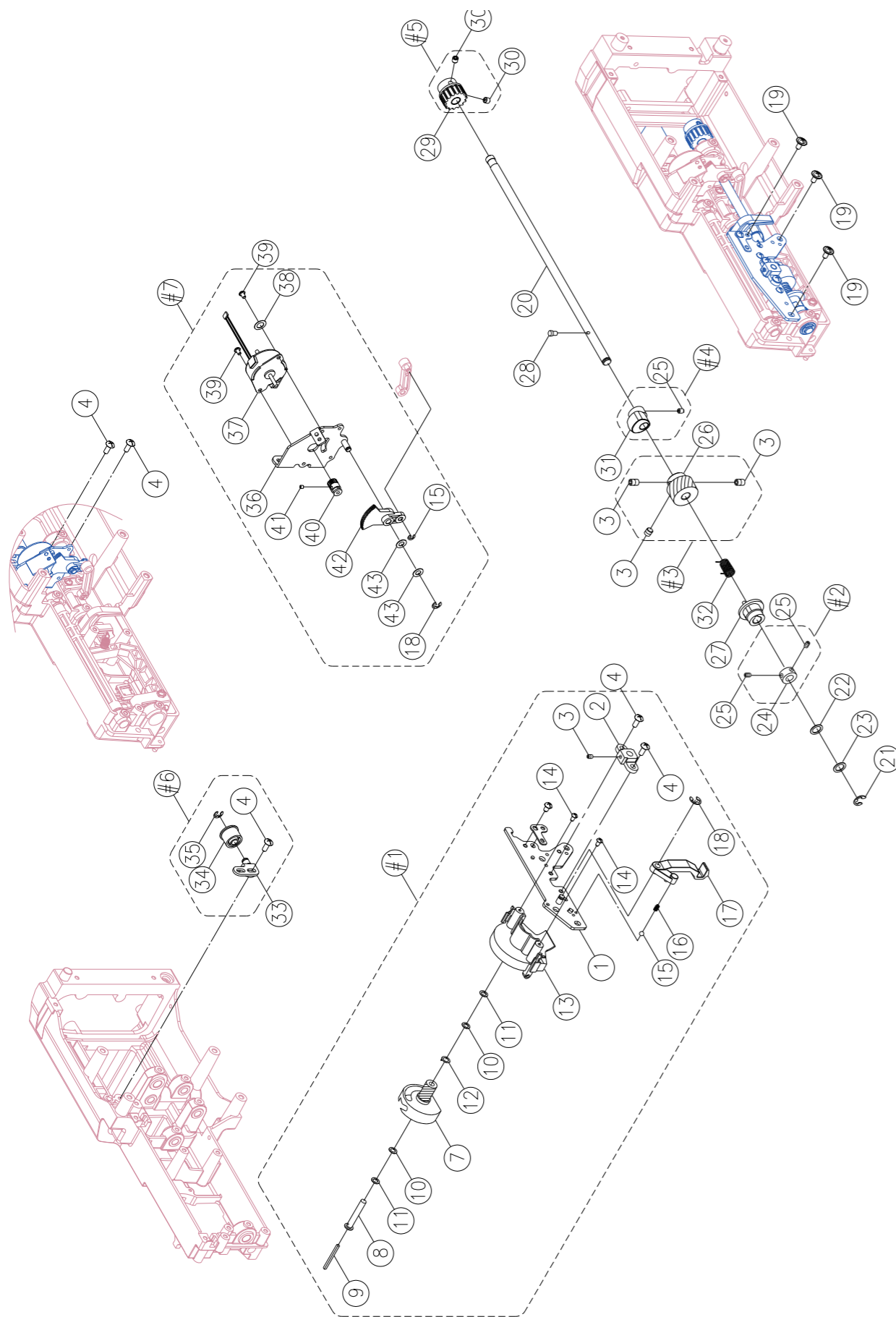
No.	Part No.	Description
1	416578501	FEED CRANK COMPLETE
2	416578401	FEED LEVER COMPLETE
3	416116001	E-RING (ETW-3)
4	416406101	FEED ROD CRANK
5	416406001	FEED LEVER
6	416577801	FEED ROD
7	416121201	SCREW (M4x6B)
8	416407201	FEED ROD
9	270 003010036	E-RING (ETW-3)
10	416578301	FEED CRANK
11	416122101	SCREW (M4x6C)
12	416682101	FEED SHAFT
13	416578701	FEED COLLAR
14	416122401	SCREW (M4x4C)
15	416125901	WASHER (6.2x9.6x0.5)
16	416578801	FEED CRANK
17	416120001	SCREW (M3x3C)
18	416116301	E-RING (ETW-5)
19	416578901	FEED ROD
20	416579101	PIN (1)
21	416124101	WASHER (4.2x8x0.8)
22	270 004300096	WASHER (4x8x0.5)
23	416579001	PIN
24	416583301	FEED TRANSFER CRANK (2)
25	416583501	SCREW (M3x5C)
26	416121001	SCREW(M4x5C)
27	416577901	FEED SUPPORTER
28	416579201	FEED SHAFT
29	416579401	FEED CRANK
30	416407701	SPRING
31	416121501	SCREW (M4x8A)
32	416579901	NEEDLE BAR SUPPORTER
33	416189301	NEEDLE BAR SUPPORTER PIN
34	416186901	WASHER (WW-6)
35	416185801	WASHER (6.5x13x1)
36	270 003010046	E-RING (ETW-4)
37	416580001	THREADING GUIDE
38	416119201	SCREW (M3x6 A)
39	416580101	THREADING SHAFT SPRING
40	416580201	THREADING PLATE
41	416408801	SCREW (M2x4B)
42	416682301	THREADING SHAFT
43	416173601	NEEDLE BAR
44	416409701	THREADING
45	416580801	NUT (M2 T=1.6)
46	416411101	SCREW (M2x3.5)
47	416682401	NEEDLE BAR SUPPORTER
48	416141301	NEEDLE BAR SUPPORTER PLATE PIN
49	416116101	E-RING (ETW-4)
50	416613201	NEEDLE CLAMP
51	416740601	NEEDLE CLAMP GUIDE
52	416580401	NEEDLE CLAMP SCREW
53	416184001	PIN (2x14)
54	416189601	THREADING STOPPER
55	416478101	THREADING STOP HOLDER
56	416184401	SCREW (M2x4)
57	416184601	SCREW (M3x4 C)
58	416150101	NEEDLE BAR CRANK ROD
59	416150801	NEEDLE BAR BRACKET (1)
60	416150801	NEEDLE BAR BRACKET (2)
61	270 E1A2433001	NEEDLE BAR DRIVING ROD PIN
62		NEEDLE (#80)
#1	416740801	FEED ROD COMPLETE
#2	416740901	FEED CRANK COMPLETE
#3	416741001	FEED ROD COMPLETE
#4	416484101	FEED SUPPORTER COMPLETE
#5	416187201	NEEDLE BAR SUPPORTER PIN COMPLETE
#6	416613201	NEEDLE CLAMP COMPLETE
#7	416741101	THREADING STOPPER COMPLETE
#8	416235801	NEEDLE BAR CRANK ROD COMPLETE
#9	416146801	NEEDLE BAR DRIVING ROD PIN COMPLETE

D

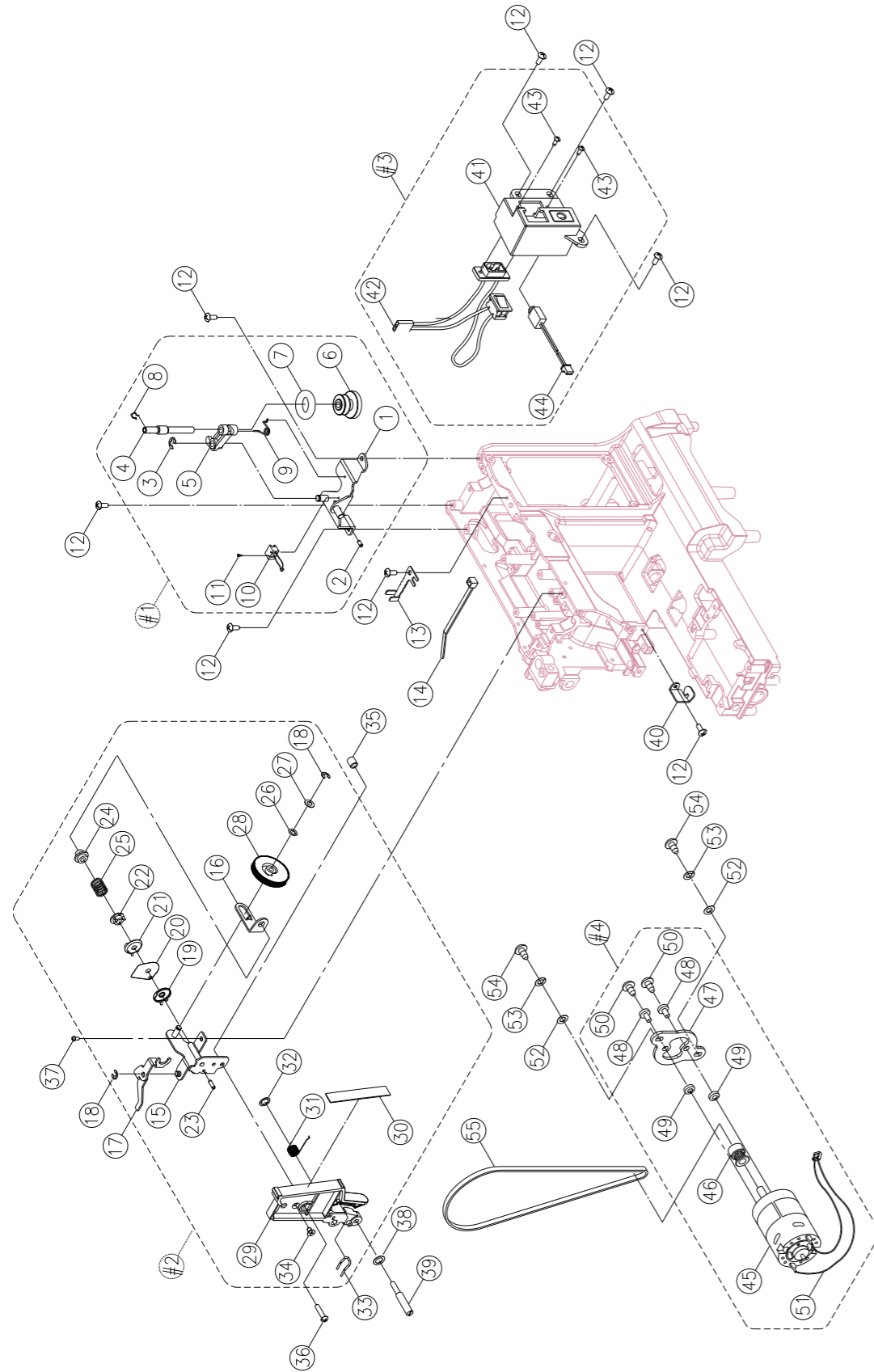


No.	Part No.	Description
1	416682501	FEED REGULATING SHAFT
2	416116601	E-RING(ETW-5)
3	416124001	WASHER(6.7×12×1)
4	416124001	ENDURE ATTRITION WASHER (φ6.7×φ11.8×0.5)
5	416356501	FEED REGULATING
6	416122401	SCREW (M4×4C)
7	416682601	FEED REGULATING CRANK(2)COMPLETE
8	416631501	FEED REGULATING CRANK(1)
9	416595801	WASHER (φ4.2×φ9×0.5)
10	416571701	PULSE MOTOR SPRING Ambition
11	416123401	SCREW (M4×18) 416123401 =O
12	416126801	ADJUSTING NUT (M4×0.7)
13	416682701	FEED ROCK ROD (3)
14	416185901	WASHER (φ4.2×φ10×0.5)
15	416116001	E-RING(ETW-3)
16	416595701	SCREW (M3×12) 416120801 =O
17	416682901	FEED TRANSFER SHAFT
18	416116301	E-RING(ETW-5)
19	416583101	FEED TRANSFER CRANK (1) Ambition
20	416631601	SCREW (M5×8C)
21	416583601	WASHER (φ6.7×φ11.8×0.25) Ambition
22	416122101	SCREW(M4×6C)
23	416479501	FEED DOG SUPPORTER
24	416479601	FEED DOG
25	416185001	SCREW (M3.5×8 A) 416185001 =O
26	416683001	FEED LIFTING ROCK CRANK COMPLETE
27	416185501	SCREW (M4×0.7)
28	416121501	SCREW(M4×8A)
29	416631201	FEED DOG SPRING
30	416192401	FEED ROCK CRANK
31	416631301	REGULATING BLOCK SHAFT
32	416683101	FEED ROCK CRANK SPRING
33	416186301	WASHER (φ5.2×φ12×1)
34	416186301	FEED ROCK SHAFT 416192501 =O
35	416683201	FEED ROCK SWING RACK
36	416121001	SCREW(M4×5C)
37	416192101	FEED DOG SHAFT
38	416549201	FEED ROCK FRAME SHAFT (2) Ambition
39	416683301	ROCK SWING RACK SHAFT
40	416570801	FEED COLLAR
41	270 004300186	WASHER (φ6.2×φ12×0.5) 416227701 NO-SP
42	416583001	FEED ROCK ROD COMPLETE Ambition
43	416683401	FEED ROCK ROD PIN
44	416116101	E-RING(ETW-4)
45	416582801	FEED ROCK ROD PIN Ambition
46	416356601	FEED REGULATING BLOCK
47	416152201	CARRYING HANDLE SHAFT
#1	270 D3A1674000	FEED REGULATING
#2	416741201	FEED REGULATING CRANK COMPLETE
#3	416741301	FEED TRANSFER SHAFT COMPLETE
#4	416741401	FEED ROCK SWING RACK COMPLETE
#5	416683401	FEED ROCK ROD PIN COMPLETE
#6	416741501	FEED ROCK ROD PIN COMPLETE

E

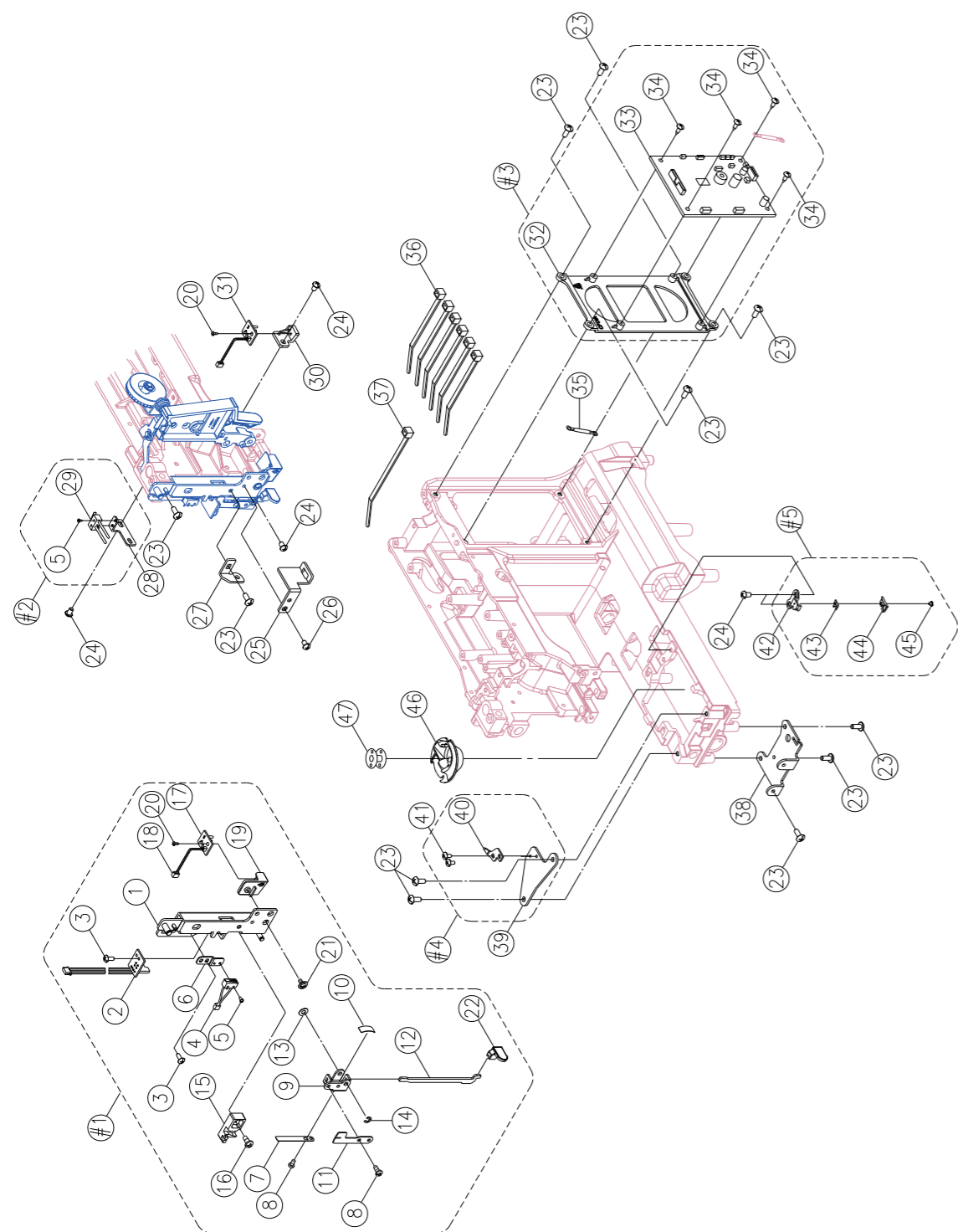


No.	Part No.	Description
1	416683501	ROTARY HOOK HOLDER COMPLETE
2	416143401	ROTARY HOOK SUPPORTER
3	416121001	SCREW(M4×5C)
4	416121501	SCREW(M4×8A)
7	416479801	SHUTTLE HOOK HOLDER
8	416145401	BOBBIN SHAFT
9	416155801	BOBBIN SHAFT OIL CLOTH
10	416125901	ENDURE ATTRITION WASHER (6.2x9.6x0.5)
11	416155601	BOBBIN SHAFT WASHER (2)
12	416155701	BOBBIN SHAFT WASHER (3)
13	416143601	SHUTTLE HOOK COVER
14	416119501	SCREW(M3×12)
15	416415501	BALL
16	416145001	SPRING
17	416480001	TOOTH LEVER ARM
18	270 003010046	E-RING (ETW-4)
19	4166795	SCREW(M4×8)
20	416683601	LOWER SHAFT
21	416116401	E-RING(ETW-6)
22	416125801	ENDURE ATTRITION WASHER(8.2×12×0.5)
23	416186501	WASHER(8.2×12×0.5)
24	270 P3C0203209	LOWER SHAFT COLLAR
25	416122401	SCREW(M4×4C)
26	416197201	LOWER SHAFT GEAR
27	416191201	FEED LIFTING ROCK CAM
28	270 P3A0433003	FEED LIFTING ROCK COM PIN
29	270 H1A0463000	LOWER SHAFT BELT PULLEY
30	416123601	SCREW(M5×5C)
31	416631701	FEED ROCK CAM
32	416191401	LOWER SHAFT SPRING
33	270 H1A0433003	BELT ADJUSTING PLATE
34	416683901	BELT ADJUSTING PLATE PULLEY
35	416116101	E-RING (ETW-4)
36	416684001	PULSE SUPPORT PLATE COMPLETE
37	416684001	PULSE MOTOR
38	416186101	WASHER (3.2x8x0.8)
39	416631401	SCREW (M3×4A)
40	416684001	PULSE MOTOR GEAR COMPLETE
41	416120001	SCREW (M3×3C)
42	416684001	FEED ROCK CRANK GEAR
43	270 004300713	WASHER (5.2×10×0.2)
44	416116001	E-RING(ETW-3)
#1	416741601	ROTARY HOOK HOLDER COMPLETE
#2	270 V11564000	LOWER SHAFT COLLAR COMPLETE
#3	416197101	LOWER SHAFT GEAR COMPLETE
#4	416741701	FEED ROCK CAM COMPLETE
#5	416741801	LOWER SHAFT BELT PULLEY COMPLETE
#6	416633601	BELT ADJUSTING PLATE COMPLETE
#7	416741901	PULSE SUPPORT PLATE COMPLETE



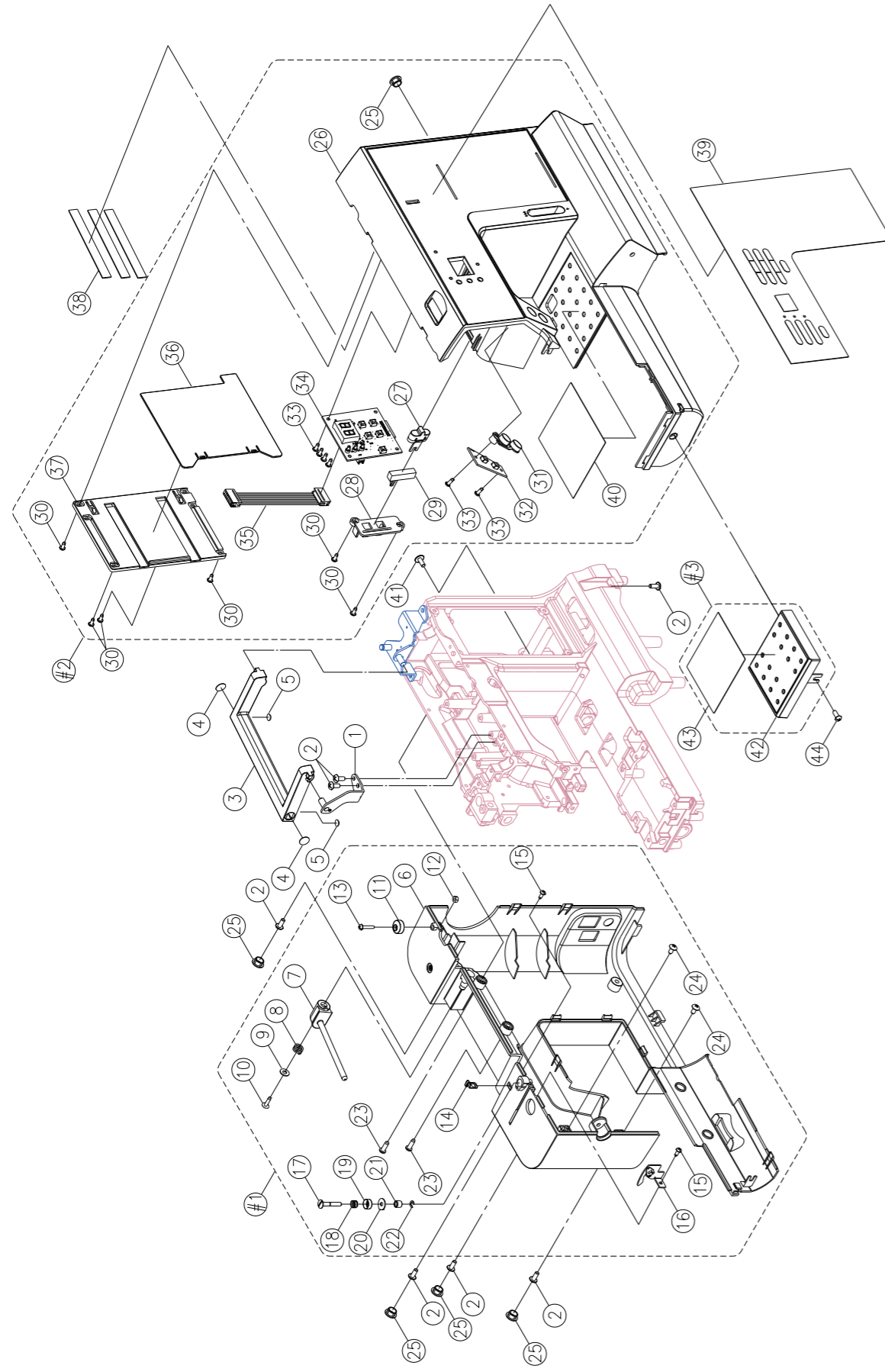
No.	Part No.	Description
1	416684101	BOBBIN WINDER PLATE COMPLETE
2	270 003043008	SPRING PIN (φ3×8)
3	416116301	E-RING(ETW-5)
4	416700601	BOBBIN WINDER CRANK COMPLETE
5	416700601	BOBBIN WINDER CRANK COMPLETE
6	416700601	BOBBIN WINDER CRANK COMPLETE
7	416149201	BOBBIN WINDER RUBBER PULLEY
8	270 F20193000	BOBBIN WINDER CRANK SPRING
9	416684501	BOBBIN WINDER CRANK SPRING
10	416684601	MICRO SWITCH
11	416119101	SCREW (M2×0.4×7.5)
12	416121501	SCREW (M4×8A)
13	416584901	ELECTRIC WIRE PRESS BOARD
14	270 002030129	CORD CLIP (L=12)
15	416581601	DIAL TENSION SUPPORTER PLATE COMPLETE
16	416581301	DIAL TENSION SPRING PLATE
17	416684801	DIAL TENSION WAFT PLATE
18	416116101	E-RING (ETW-4)
19	416153601	DIAL TENSION DISC (1)
20	416684901	DUAL THREAD GUIDE PLATE
21	416146301	DIAL TENSION DISC
22	416412001	DIAL TENSION SPRING REGULATOR
23	416117501	SPRING PIN (φ3×10)
24	416153801	DIAL TENSION REGULATOR
25	416155901	DIAL TENSION SPRING
26	416126001	WASHER (WW-5)
27	416124501	WASHER (5.2×10×0.5)
28	416478801	DIAL TENSION KNOB
29	416685001	DIAL TENSION SUPPORTER PLATE COVER
30	416685101	DIAL TENSION SUPPORTER PLATE COVER PANEL
31	270 V60303000	THREAD GUIDE SPRING
32	416116801	CS-RING (CSTW-4.5)
33	416198701	THREAD GUIDE
34	416121901	SCREW(M4×6D)
35	416151701	DIAL TENSION GUIDE SPRING TUBE
36	416121701	SCREW (M4×15B)
37	416121201	SCREW (M4×6 B)
38	270 004300926	WASHER (4.1x8x1)
39	270 004240982	SCREW (M4x37)
40	416585201	ARM TOP COVER THREAD GUIDE PLATE
41	416632101	RECEPTACLE HOLDER
42	416685201	SWITCH RECEPTACLE ASS'Y FOR U.S.A.
42	416685301	SWITCH RECEPTACLE ASS'Y FOR EU.
43	416482501	SCREW (M3×8B)
44	416685401	CONTROLLER RECEPTACLE FOR U.S.A.
44	416685501	CONTROLLER RECEPTACLE FOR EU.
45	416417101	DC MOTOR
46	416417101	MOTOR WHEEL
47	270 H1A0303006	MOTOR BRACKET
48	416419001	INSULATION SPACER
49	416418901	INSULATION SPACER
50	416120201	SCREW (M3x10)
51	416490201	DC MOTOR LEAD CORD FOR U.S.A.
51	416572801	DC MOTOR LEAD CORD FOR EU.
52	416124301	WASHER(5.4×10×0.9)
53	416126201	SPRING WASHER (5.1×9.2×1.3)
54	416224801	SCREW (M5×12)
55	270 00749402M5	MOTOR DRIVE BELT
#1	416685801	BOBBIN WINDER COMPLETE
#2	416685901	DIAL TENSION SUPPORTER PLATE COMPLETE
#3	416742001	RECEPTACLE HOLDER COMPLETE 120V
#3	416742101	RECEPTACLE HOLDER COMPLETE 240 V
#4	416742201	DC MOTOR COMPLETE 120V
#4	416742301	DC MOTOR COMPLETE 240 V

G



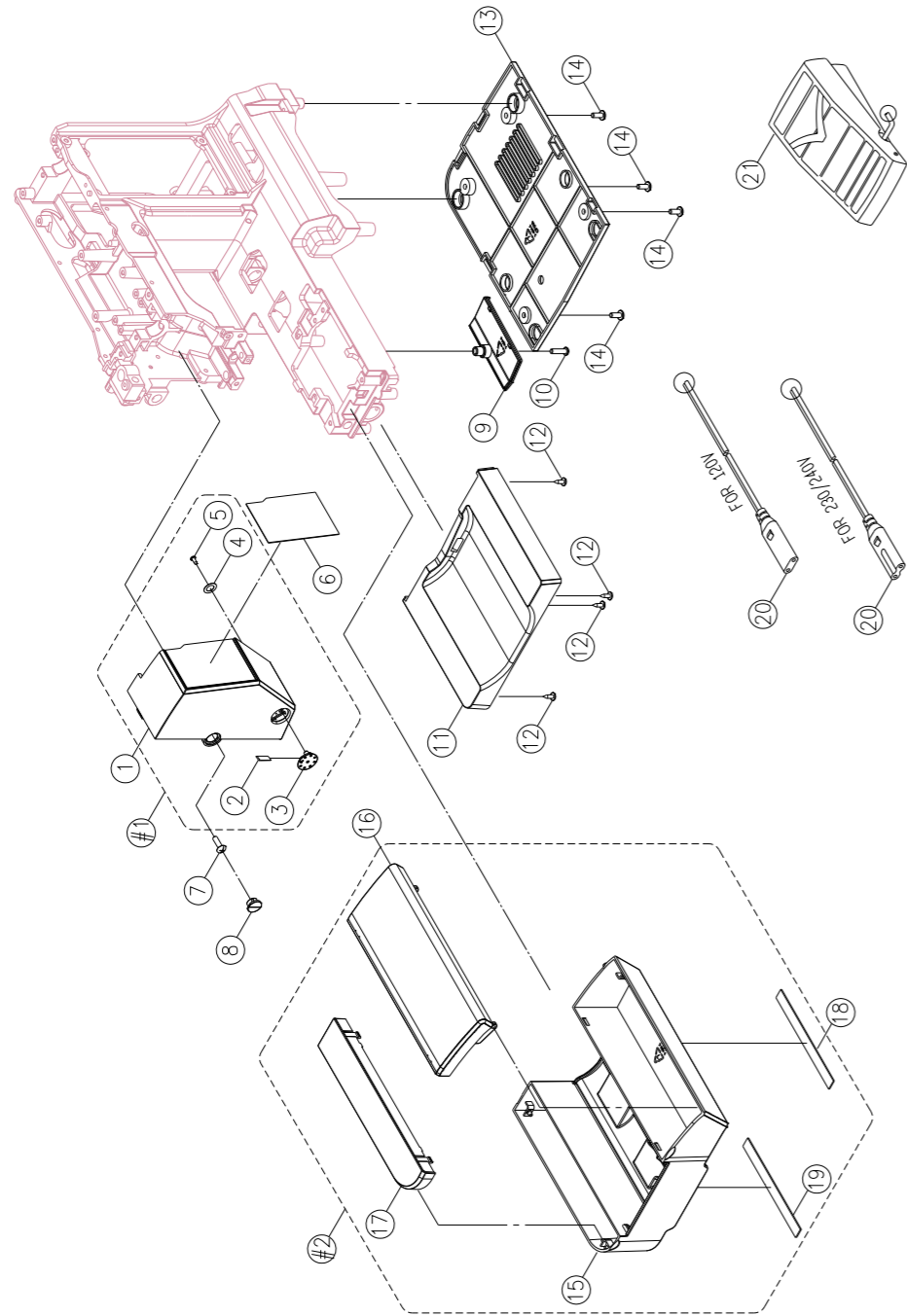
No.	Part No.	Description
1	416686001	BH LEVER PLATE COMPLETE
2	416686101	PHOTO SENSOR COMPLETE
3	416120601	SCREW (M3x5 A)
4	416479001	BH MICRO SWITCH COMPLETE
5	416119101	SCREW (M2x7.5)
6	416581701	BH PHOTO SENSOR PLATE
7	416413001	BH LEVER CRANK SPRING
8	270 004230056	SCREW(M3x5 B)
9	416642901	BH LEVER CRANK
10	416413101	BH SPRING PLATE
11	416642901	PHOTO PLATE
12	416642901	BH LEVER
13	270 004300096	WASHER (4x8x0.5)
14	416116001	E-RING(ETW-3)
15	270 P3C0203209	BH MOVEMENT CRANK
16	416408101	SCREW (M3x6)
17	416700901	LED LAMP PLATE
18	416595101	LED LAMP LINE
19	416701001	LED HOLDER
20	270 004230082	SCREW(M3x6B)
21	416686701	SCREW(M3x5)
22	416581001	BH LEVER BUTTON
23	416121501	SCREW (M4x8 A)
24	416121201	SCREW (M4x6 B)
25	416582201	FACE PLATE
26	416226601	SCREW (M4x5B)
27	416686801	ARM BACK COVER SET PLATE
28	416688001	MICRO SWITCH PLATE
29	416478001	PRESSER BAR LEVER MICRO SWITCH
30	416580701	LED HOLDER (RIGHT)
31	416687001	LED LIGHT LAMP COMPLETE
32	416687101	MAIN CIRCUIT BOARD HOLDER
33	416687201	MAIN CIRCUIT BOARD
34	270 004230216	SCREW (M3x8.5)
35	416687301	GROUND CONNECTION
36	270 002030129	CORD CLIP (L=12)
37	416115501	CORD CLIP (L=20)
38	416687401	PULSE MOTOR PLATE
39	416687901	ROTARY HOOK PLATE
40	416687901	ROTARY HOOK PLATE(1)
41	416569401	SCREW (M3x4 A)
42	416687801	ROTARY HOOK PLATE (2)
43	416143901	ROTARY HOOK PLATE SPRING (2)
44	416143901	ROTARY HOOK PLATE SPRING (1)
45	416119001	SCREW (M2x2.5)
46	416568801	SHUTTLE HOOK COMPLETE
47	416475801	BOBBIN 1 Pcs
47	821038097	BOBBIN 10 pcs
#1	416687701	BH LEVER PLATE COMPLETE
#2	416688001	MICRO SWITCH PLATE COMPLETE
#3	416688101	MAIN CIRCUIT BOARD HOLDER COMPLETE
#4	416687901	ROTARY HOOK PLATE COMPLETE
#5	416143901	ROTARY HOOK PLATE (2) COMPLETE

H



No.	Part No.	Description
1	416688201	HANDLE BRACKET COMPLETE
2	416121501	SCREW (M4×8A)
3	416688301	HANDLE
4	416688401	HANDEL PANEL
5	416688501	SPACER
6	416688601	BACK COVER FOR U.S.A.
6	416688602	BACK COVER FOR EU.
7	416688701	SPOOL ROD
8	416688801	SPOOL ROD SPRING
9	270 004300202	WASHER (φ4.5×φ10×0.8)
10	416120701	SET SCREW (M3×12)
11	270 K6B0393000	BOBBIN WINDER STOPPER
12	416126301	NUT (9/64×40 T=3)
13	416174001	SCREW (9/64×40×16 B)
14	416145501	THREAD GUIDE
15	416482501	SCREW (M3×8)
16	416688901	THREAD GUIDE COMPLETE
17	416168101	BOBBIN WINDER THREAD GUIDE ADJUSTING
18	416148101	SPRING
19	416148101	BOBBIN WINDER SPRING DISC
20	416553801	BOBBIN WINDER THREAD GUIDE
21	416148101	SPACER
22	270 003010036	E-RING(ETW-3)
23	270 004240526	SCREW (M4×12 B)
24	270 004240166	SCREW (M4×8 A)
25	416311001	CAPS
26	416689001	FRONT COVER
27	416689101	SLIDE VOLUME LEVER
28	416689201	SLIDE VOLUME KNOB CONNECTOR
29	416689301	SLIDE VOLUME
30	416184801	SCREW (M3×8)
31	416689401	START/STOP REVERSE PUSH BUTTON
32	416689501	START CIRCUIT BOARD
33	270 004230082	SCREW(M3×6B)
34	416689601	LED MAIN CIRCUIT BOARD
35	416689701	ROW LINE
36	416689801	PATTERN PLATE
37	416689901	PATTERN PLATE HOLDER
38	416690101	FELT SEAL
39	416690201	FRONT PANEL COMPLETE
40	416690301	SLAB (RIGHT)
41	270 004240586	SCREW (M4×8)
42	416690401	SLAB COVER
43	416690501	SLAB (LEFT)
44	416184801	SCREW (M4×10 B)
#1	416742401	BACK COVER COMPLETE
#1	416742501	BACK COVER COMPLETE
#2	416742601	FRONT COVER COMPLETE
#3	416742701	SLAB COMPLETE

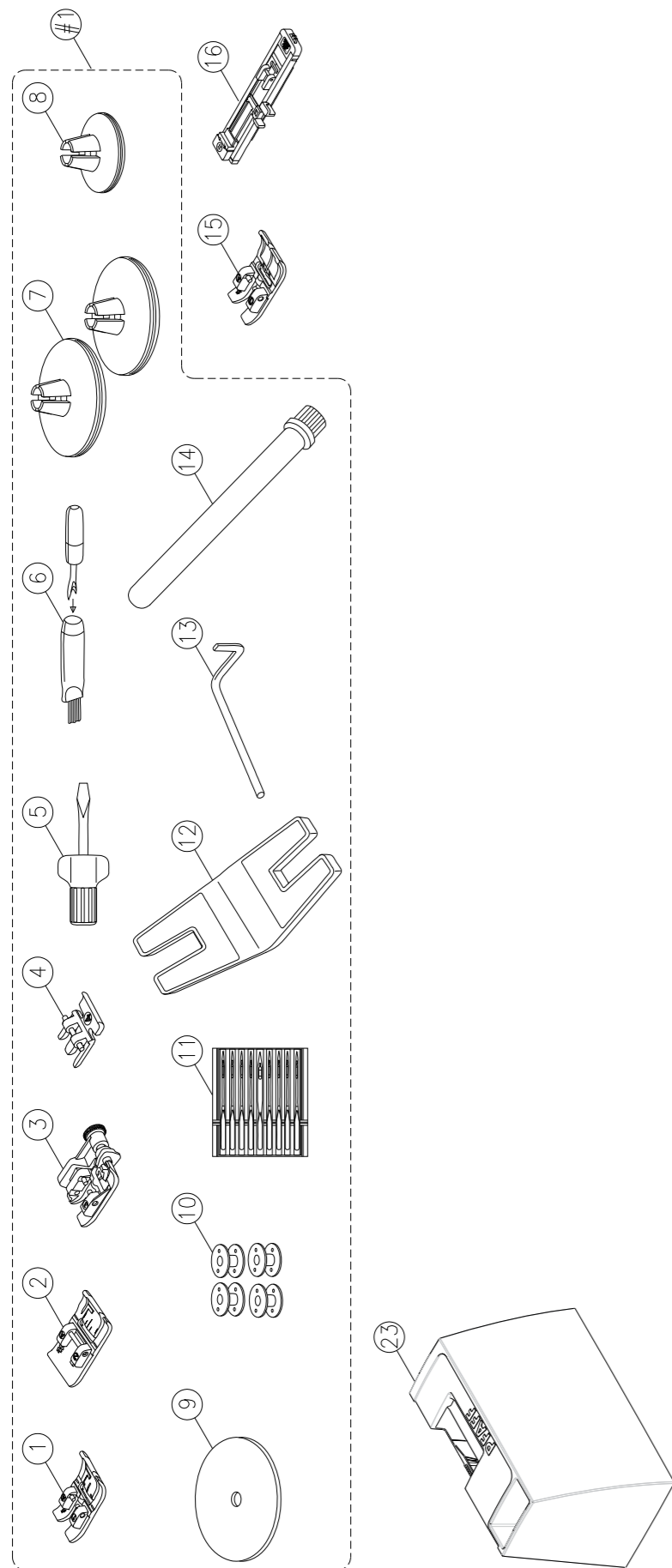
I



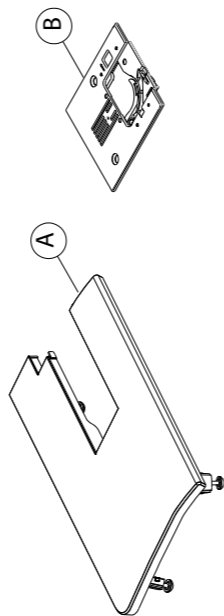
No.	Part No.	Description
1	416690601	FACE PLATE
2	416172501	THREAD CUTTER
3	416690701	FACE CUTTER PLATE
4	416633501	WASHER(3.2×6×0.5)
5	416632701	SCREW (M2.5×5)
6	416690801	FACE PANEL
7	416123101	SCREW (M4×12 A)
8	416690901	CAPS
9	416691001	FREE ARM BASE
10	416121601	SCREW (M4×12B)
11	416691101	FREE ARM FOOT BUSH
12	416681501	SCREW(M3×8.5)
13	416691201	BASE COVER
14	416121501	SCREW (M4×8 A)
15	416700701	SEWING TABLE BODY
16	416700701	SEWING TABLE BODY COVER
17	416700701	SEWING TABLE BODY COVER
18	416307101	SEWING TABLE BODY FELT
19	416633701	SEWING TABLE BODY FELT
20	412157903	POWER CORD (120V) FOR U.S.A.
20	412157801	POWER CORD (230V) FOR EU.
20	N/A	POWER CORD (240V) FOR SAA
20	412158002	POWER CORD (240V) FOR U.K
21	416480602	FOOT CONTROLLER (C-9002)
#1	416742801	FACE PLATE COMPLETE
#2	416700701	SEWING TABLE CPL PASSPORT

J

STANDARD ACCESSORIES



OPTIONAL ACCESSORIES



No.	Part No.	Description
1	820774096	PRESSER FOOT 1A FANCY STITCH FOOT W IDT
2	413060501	PRESSER FOOT 2A FANCY STITCH FOOT
3	820256096	PRESSER FOOT 3 BLINDHEM FOOT W IDT
4	820248096	PRESSER FOOT 4 ZIPPER FOOT W.IDT
5	412381501	SCREWDRIVER
6	416691401	BRUSH/SEAM RIPPER
7	412371101	SPOOL HOLDER (LARGE)
8	416483401	SPOOL HOLDER (SMALL)
9	416483501	FELT PAD
10	416475801	BOBBIN single
10	821038096	BOBBIN 10 pcs/ Pack
11	N/A	PACK OF NEEDLE
12	416483601	CLEARANCE PLATE
13	416483701	EDGE/QUILTING GUIDE
14	416483801	SPOOL PIN
15	820773096	STANDARD PRESSER FOOT 0A
16	416483201	BUTTONHOLE FOOT
23	416743501	HARD CASE COMPLETE
#1	416743901	ACCESSORY COMPLETE
A	821035096	SEWING TABLE COMPLETE
B	821036096	STRAIGHT STITCH PLATE