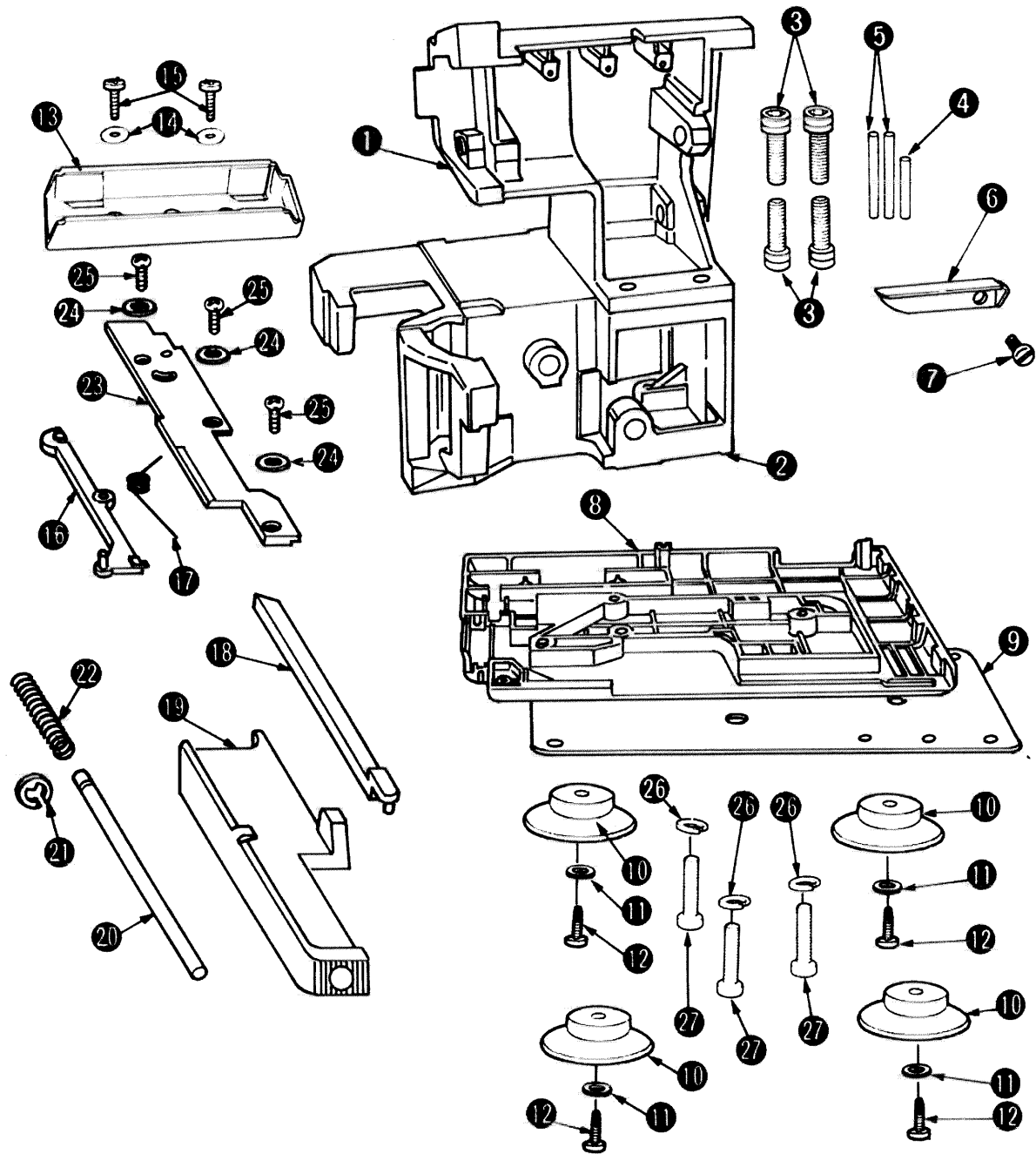


# PFAFF

hobbylock  
799

**Teileliste**  
**List of spare parts**  
**Liste des pièces détachées**  
**Catalogo pezzi staccati**  
**Lista de piezas de repuesto**



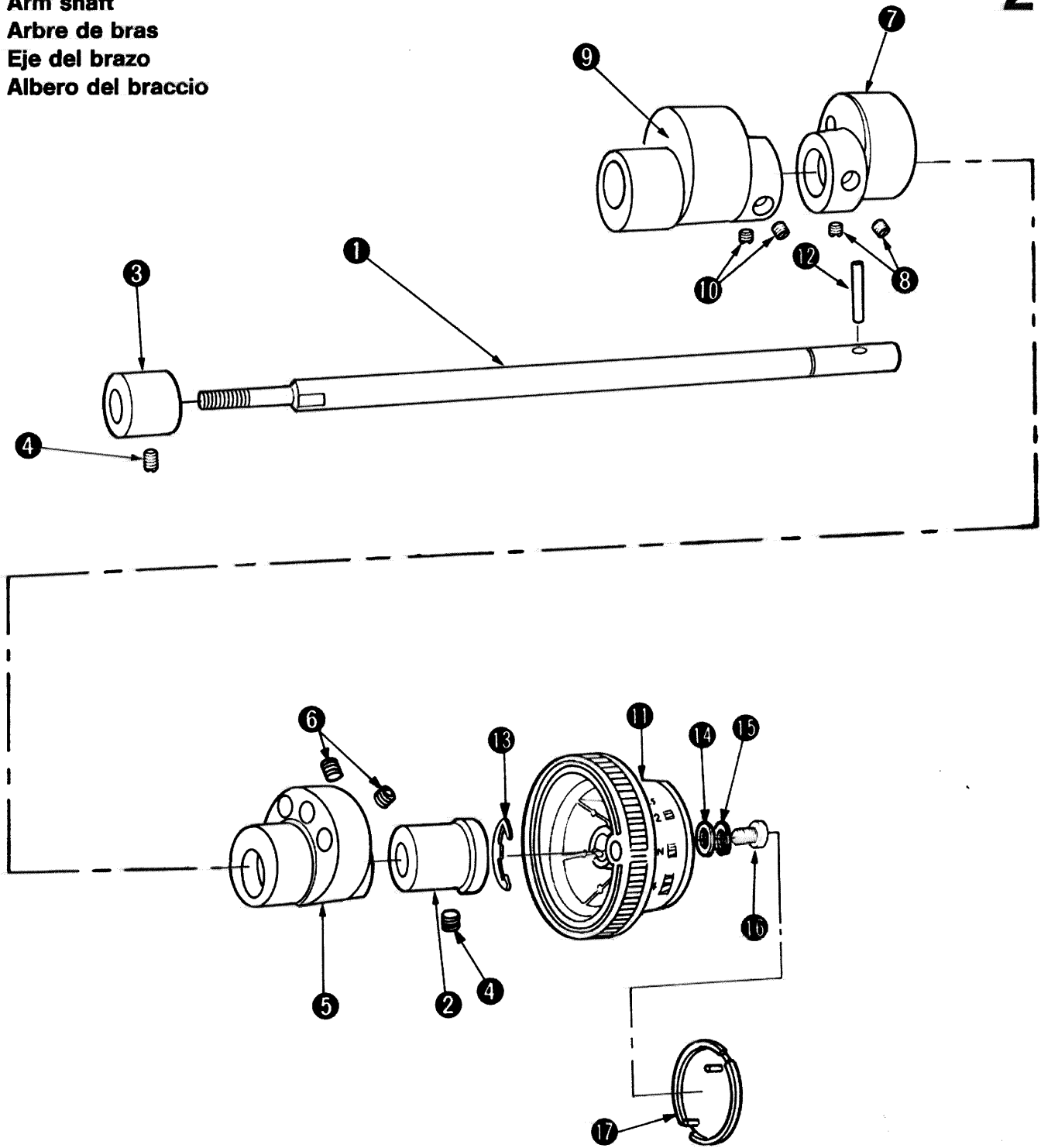
- 1 = 29-924 993-71/072
- 2 = 29-924 993-71/073
- 3 = 29-924 993-70/308
- 4 = 29-924 993-70/086
- 5 = 29-924 993-70/309
- 6 = 29-924 993-71/074
- 7 = 29-924 993-70/627
- 8 = 29-924 993-71/075
- 9 = 29-924 993-71/076

- 10 = 29-924 993-70/941
- 11 = 29-924 993-70/310
- 12 = 29-924 993-70/090
- 13 = 29-924 993-70/246
- 14 = 29-924 993-70/310
- 15 = 29-924 993-70/491
- 16 = 29-924 993-71/077
- 17 = 29-924 993-71/078
- 18 = 29-924 993-71/079

- 19 = 29-924 993-71/080
- 20 = 29-924 993-71/081
- 21 = 29-924 993-70/465
- 22 = 29-924 993-71/082
- 23 = 29-924 993-71/083
- 24 = 29-924 993-70/367
- 25 = 29-924 993-71/008
- 26 = 29-924 993-70/313
- 27 = 29-924 993-70/312

**Armwelle**  
**Arm shaft**  
**Arbre de bras**  
**Eje del brazo**  
**Albero del braccio**

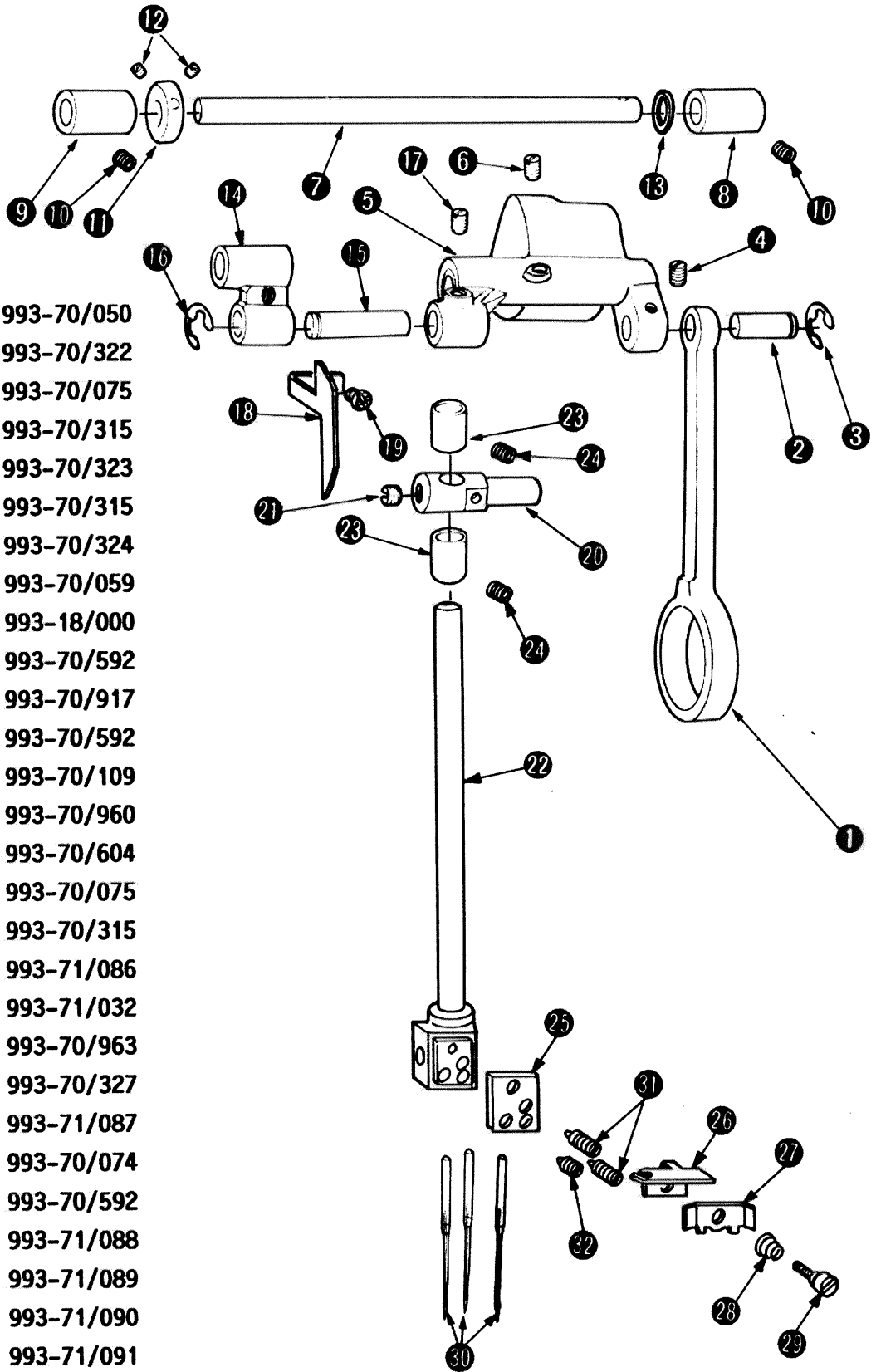
**2**



- 1 = 29-924 993-71/084
- 2 = 29-924 993-15/000
- 3 = 29-924 993-16/000
- 4 = 29-924 993-70/592
- 5 = 29-924 993-70/495
- 6 = 29-924 993-70/317
- 7 = 29-924 993-70/318
- 8 = 29-924 993-70/317
- 9 = 29-924 993-70/496

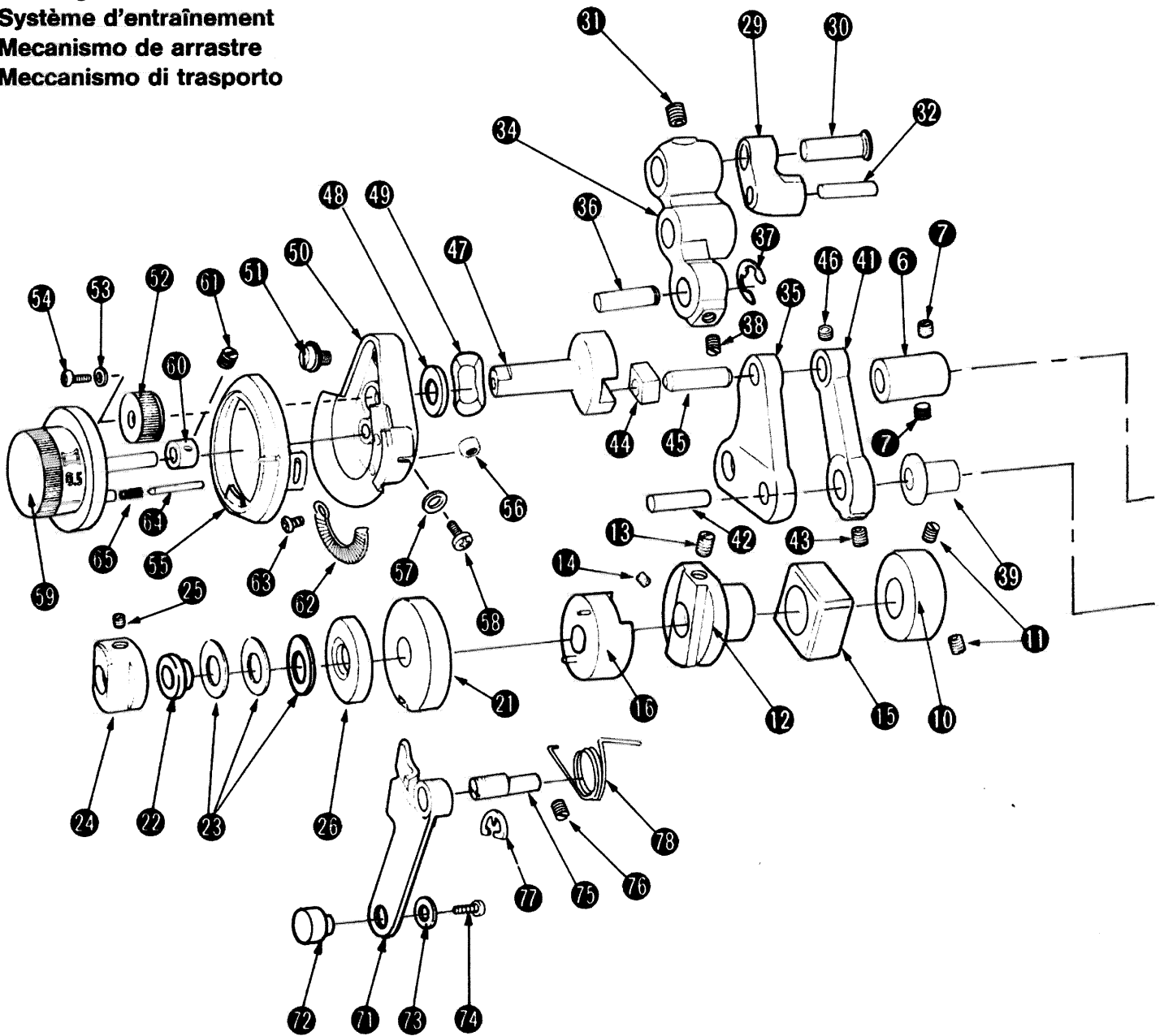
- 10 = 29-924 993-70/317
- 11 = 29-924 993-71/085
- 12 = 29-924 993-70/043
- 13 = 29-924 993-70/042
- 14 = 29-924 993-70/602
- 15 = 29-924 993-70/601
- 16 = 29-924 993-70/321
- 17 = 29-924 993-70/950

**Nadelstange mit Antrieb**  
**Needle bar with drive**  
**Barre à aiguille avec commande**  
**Barra de aguja con accionamiento**  
**Barra d'ago con comando**

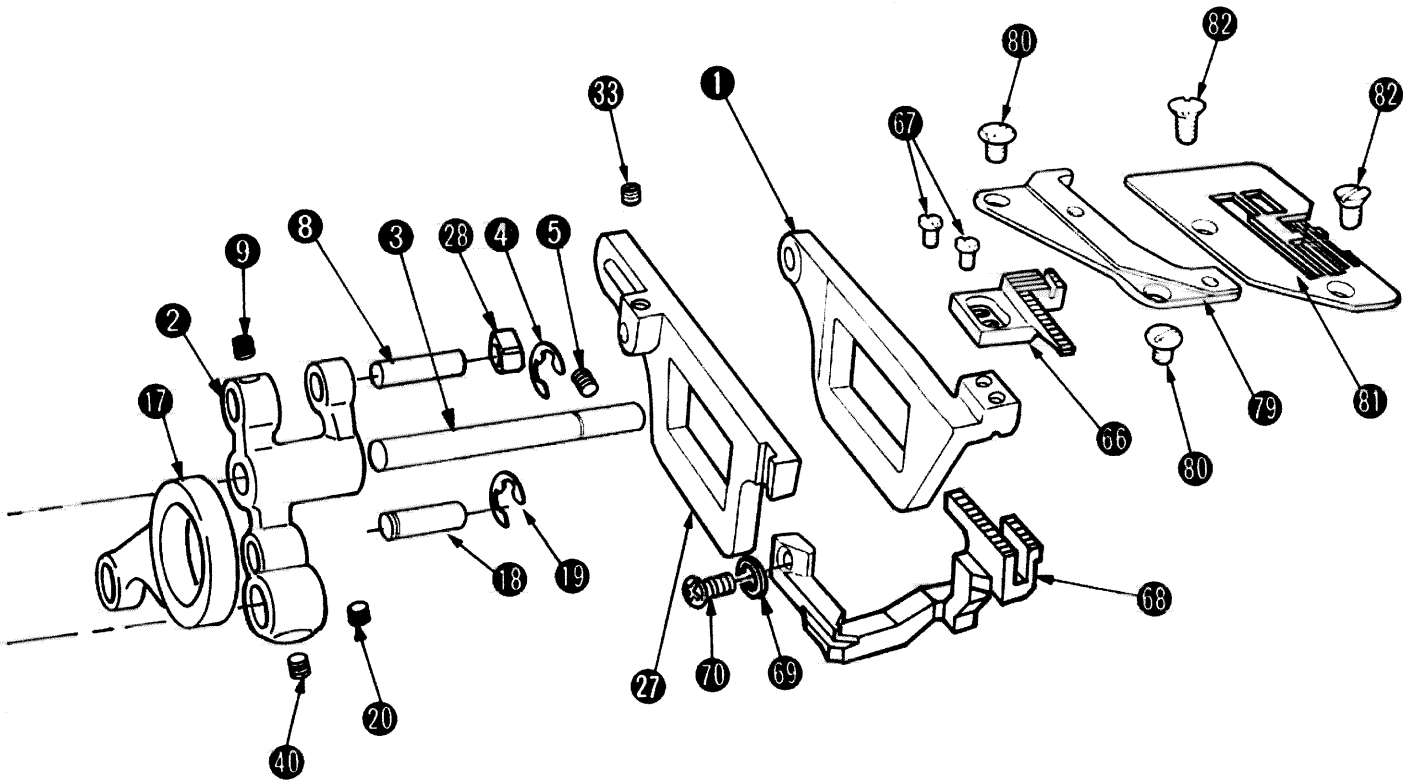


- 1 = 29-924 993-70/050
- 2 = 29-924 993-70/322
- 3 = 29-924 993-70/075
- 4 = 29-924 993-70/315
- 5 = 29-924 993-70/323
- 6 = 29-924 993-70/315
- 7 = 29-924 993-70/324
- 8 = 29-924 993-70/059
- 9 = 29-924 993-18/000
- 10 = 29-924 993-70/592
- 11 = 29-924 993-70/917
- 12 = 29-924 993-70/592
- 13 = 29-924 993-70/109
- 14 = 29-924 993-70/960
- 15 = 29-924 993-70/604
- 16 = 29-924 993-70/075
- 17 = 29-924 993-70/315
- 18 = 29-924 993-71/086
- 19 = 29-924 993-71/032
- 20 = 29-924 993-70/963
- 21 = 29-924 993-70/327
- 22 = 29-924 993-71/087
- 23 = 29-924 993-70/074
- 24 = 29-924 993-70/592
- 25 = 29-924 993-71/088
- 26 = 29-924 993-71/089
- 27 = 29-924 993-71/090
- 28 = 29-924 993-71/091
- 29 = 29-924 993-71/092
- 30 = 49-019 914-31/000
- 31 = 29-924 993-70/968
- 32 = 29-924 993-71/093

**Transport-Einrichtung**  
**Feeding mechanism**  
**Système d'entraînement**  
**Mecanismo de arrastre**  
**Meccanismo di trasporto**



1 = 29-924 993-70/333	15 = 29-924 993-70/340	29 = 29-924 993-70/351
2 = 29-924 993-70/334	16 = 29-924 993-70/341	30 = 29-924 993-70/352
3 = 29-924 993-70/055	17 = 29-924 993-70/342	31 = 29-924 993-70/336
4 = 29-924 993-70/075	18 = 29-924 993-70/343	32 = 29-924 993-70/335
5 = 29-924 993-70/592	19 = 29-924 993-70/075	33 = 29-924 993-70/325
6 = 29-924 993-70/916	20 = 29-924 993-70/338	34 = 29-924 993-70/353
7 = 29-924 993-70/592	21 = 29-924 993-71/094	35 = 29-924 993-70/354
8 = 29-924 993-70/335	22 = 29-924 993-70/346	36 = 29-924 993-70/343
9 = 29-924 993-70/336	23 = 29-924 993-70/345	37 = 29-924 993-70/075
10 = 29-924 993-70/337	24 = 29-924 993-70/347	38 = 29-924 993-70/338
11 = 29-924 993-70/338	25 = 29-924 993-70/325	39 = 29-924 993-70/355
12 = 29-924 993-70/339	26 = 29-924 993-70/348	40 = 29-924 993-70/338
13 = 29-924 993-70/315	27 = 29-924 993-70/350	41 = 29-924 993-70/356
14 = 29-924 993-70/349	28 = 29-924 993-70/285	42 = 29-924 993-70/357

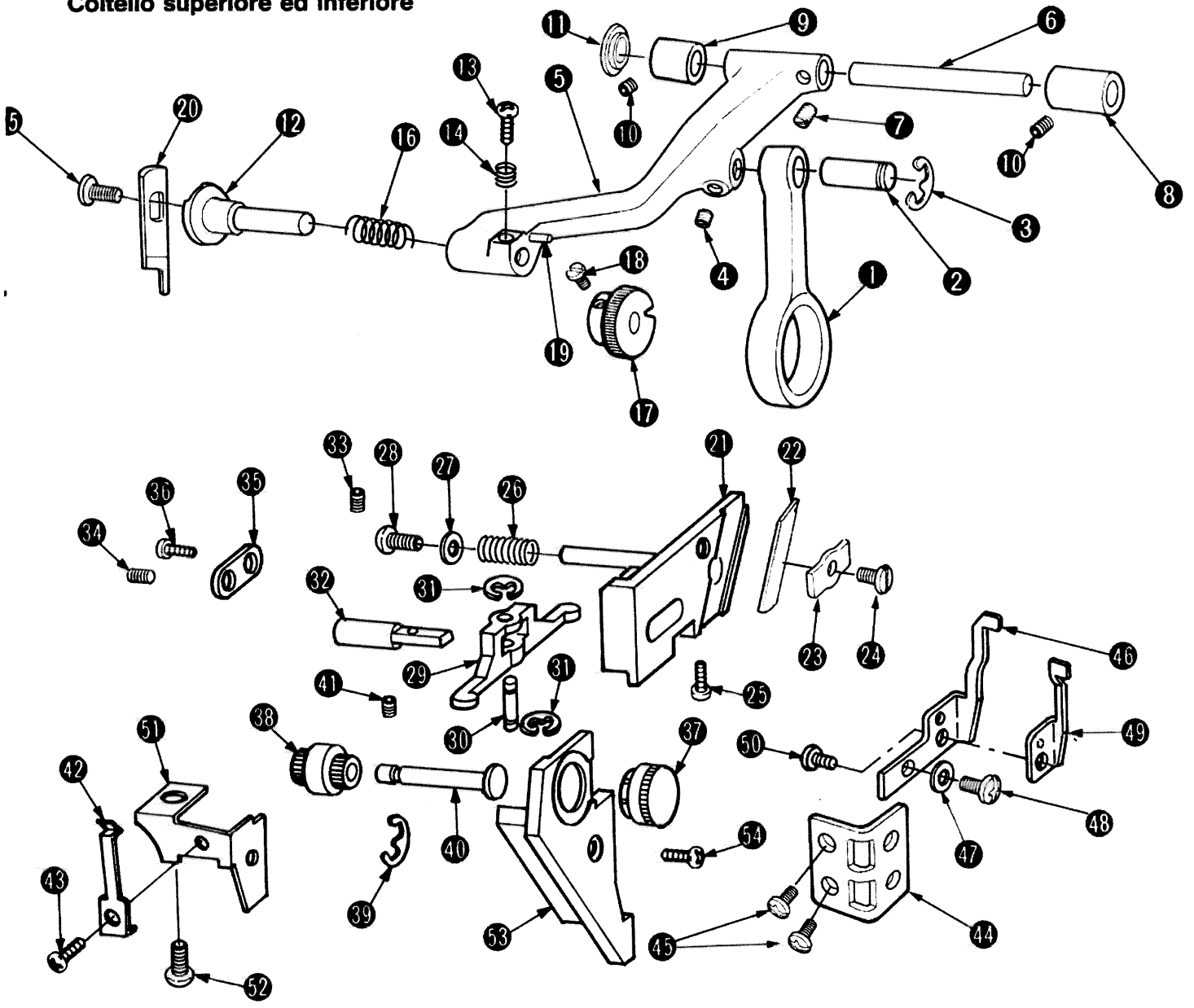


- 43 = 29-924 993-70/349
- 44 = 29-924 993-70/285
- 45 = 29-924 993-70/359
- 46 = 29-924 993-70/332
- 47 = 29-924 993-70/360
- 48 = 29-924 993-70/361
- 49 = 29-924 993-70/120
- 50 = 29-924 993-70/363
- 51 = 29-924 993-70/954
- 52 = 29-924 993-70/122
- 53 = 29-924 993-70/367
- 54 = 29-924 993-70/366
- 55 = 29-924 993-70/368
- 56 = 29-924 993-70/369

- 57 = 29-924 993-70/364
- 58 = 29-924 993-70/370
- 59 = 29-924 993-71/095
- 60 = 29-924 993-70/126
- 61 = 29-924 993-70/332
- 62 = 29-924 993-70/372
- 63 = 29-924 993-70/373
- 64 = 29-924 993-70/374
- 65 = 29-924 993-70/375
- 66 = 29-924 993-70/503
- 67 = 29-924 993-70/329
- 68 = 29-924 993-70/504
- 69 = 29-924 993-70/505
- 70 = 29-924 993-70/378

- 71 = 29-924 993-71/096
- 72 = 29-924 993-71/097
- 73 = 29-924 993-70/367
- 74 = 29-924 993-70/648
- 75 = 29-924 993-70/380
- 76 = 29-924 993-70/592
- 77 = 29-924 993-70/066
- 78 = 29-924 993-71/098
- 79 = 29-924 993-71/099
- 80 = 29-924 993-71/100
- 81 = 29-924 993-70/506
- 82 = 29-924 993-70/384

**Ober- und Untermesser**  
**Upper and lower knife**  
**Couteau supérieur et inférieur**  
**Cuchilla superior e inferior**  
**Coltello superiore ed inferiore**

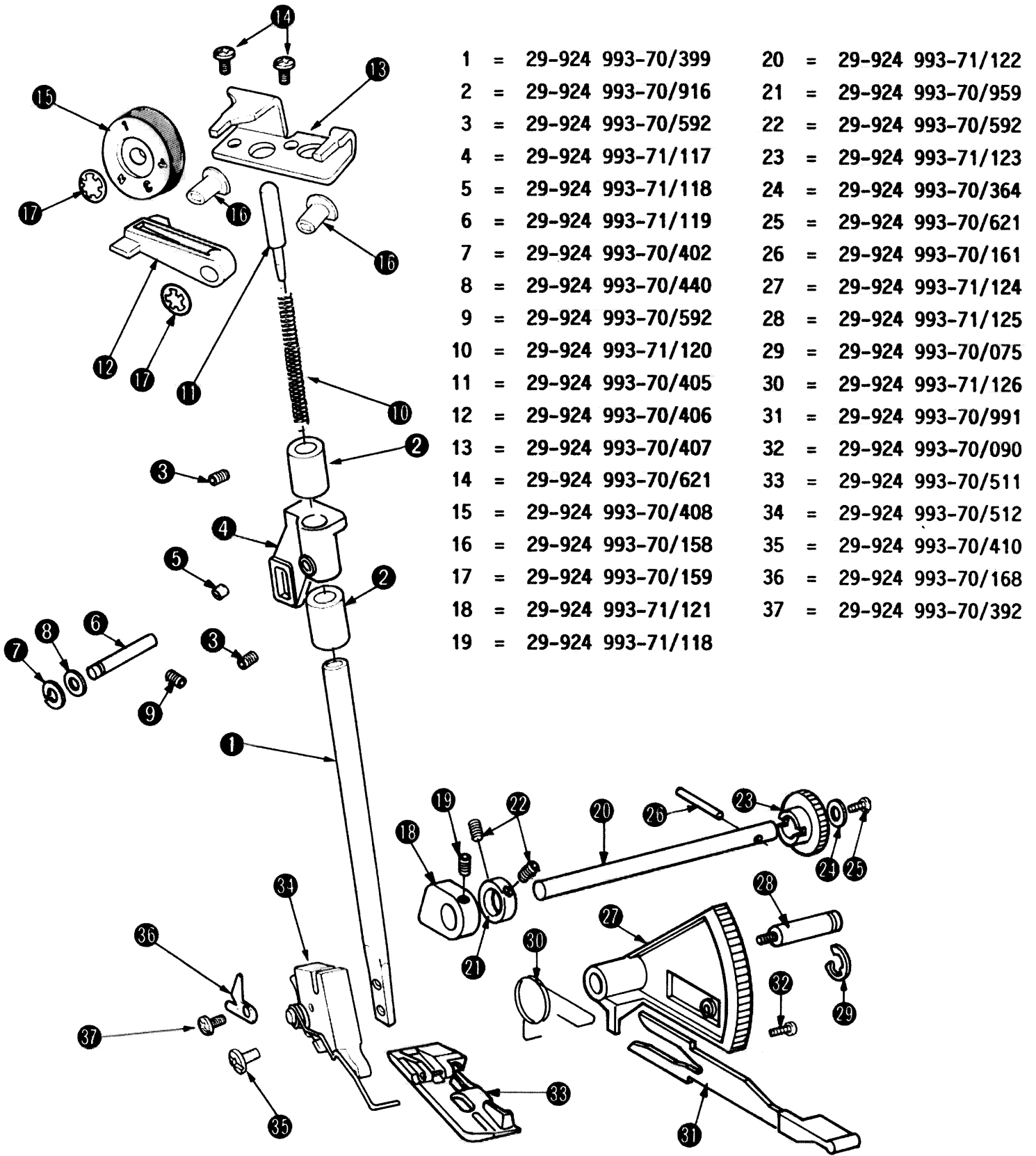


- 1 = 29-924 993-70/057
- 2 = 29-924 993-70/045
- 3 = 29-924 993-70/075
- 4 = 29-924 993-70/317
- 5 = 29-924 993-71/101
- 6 = 29-924 993-70/133
- 7 = 29-924 993-70/592
- 8 = 29-924 993-70/059
- 9 = 29-924 993-70/916
- 10 = 29-924 993-70/592
- 11 = 29-924 993-70/385
- 12 = 29-924 993-70/056
- 13 = 29-924 993-70/640
- 14 = 29-924 993-70/135
- 15 = 29-924 993-70/387
- 16 = 29-924 993-70/058
- 17 = 29-924 993-70/134
- 18 = 29-924 993-71/102

- 19 = 29-924 993-71/103
- 20 = 29-924 993-70/389
- 21 = 29-924 993-71/104
- 22 = 29-924 992-56/000
- 23 = 29-924 993-70/143
- 24 = 29-924 993-70/396
- 25 = 29-924 993-70/329
- 26 = 29-924 993-71/105
- 27 = 29-924 993-70/310
- 28 = 29-924 993-70/630
- 29 = 29-924 993-71/106
- 30 = 29-924 993-71/107
- 31 = 29-924 993-71/108
- 32 = 29-924 993-71/109
- 33 = 29-924 993-70/592
- 34 = 29-924 993-70/592
- 35 = 29-924 993-71/110
- 36 = 29-924 993-70/630

- 37 = 29-924 993-71/111
- 38 = 29-924 993-71/112
- 39 = 29-924 993-70/402
- 40 = 29-924 993-71/113
- 41 = 29-924 993-70/592
- 42 = 29-924 993-71/114
- 43 = 29-924 993-70/648
- 44 = 29-924 993-70/147
- 45 = 29-924 993-70/627
- 46 = 29-924 993-70/508
- 47 = 29-924 993-70/364
- 48 = 29-924 993-70/398
- 49 = 29-924 993-70/509
- 50 = 29-924 993-70/329
- 51 = 29-924 993-71/115
- 52 = 29-924 993-70/621
- 53 = 29-924 993-71/116
- 54 = 29-924 993-70/648

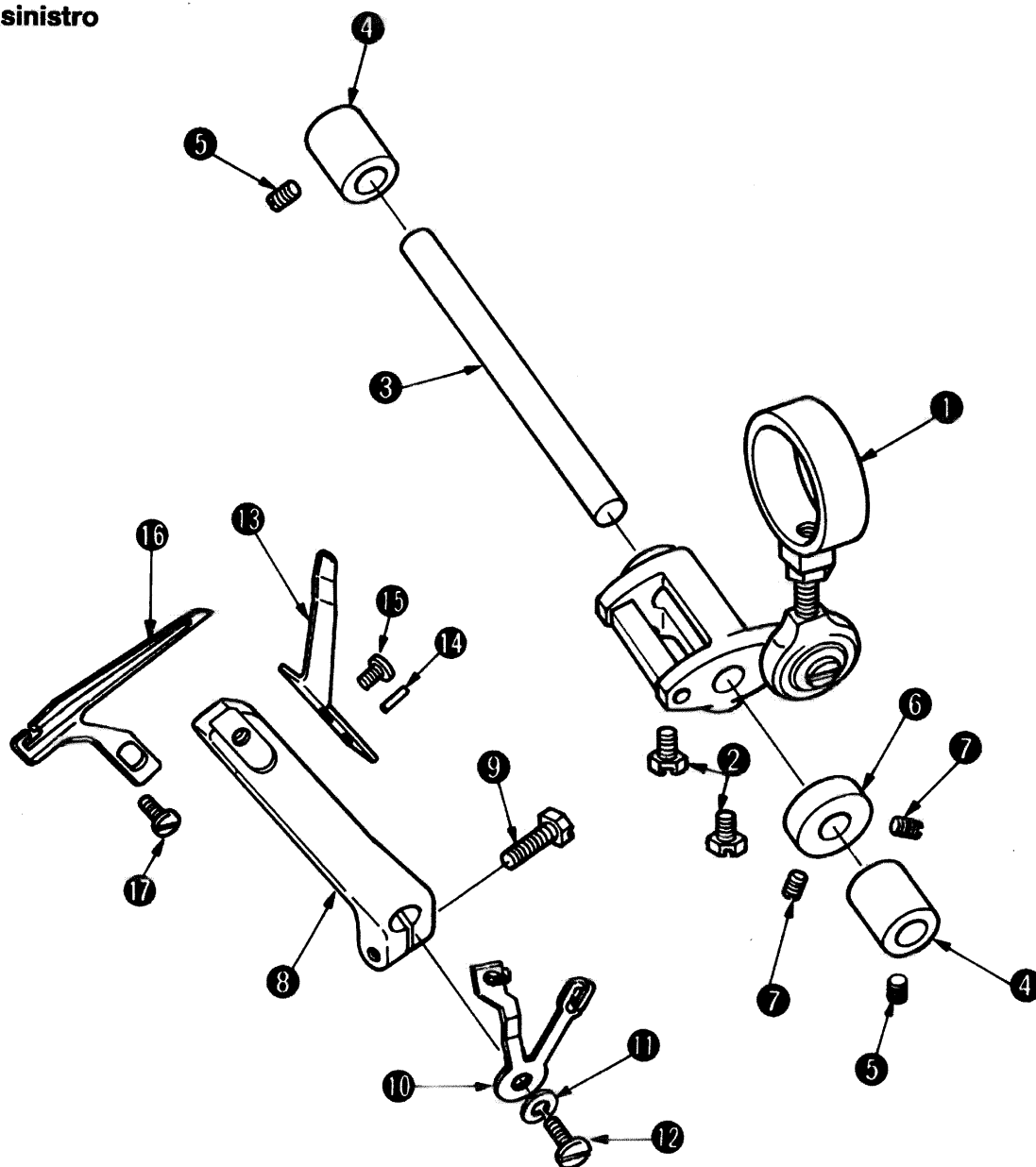
**Stoffdrückerstange mit Nähfuß**  
**Presser bar with presser foot**  
**Barre presse-tissu avec pied**  
**Barra del prensatelas con prensatelas**  
**Barra premistoffa con piedino**



- |      |                   |      |                   |
|------|-------------------|------|-------------------|
| 1 =  | 29-924 993-70/399 | 20 = | 29-924 993-71/122 |
| 2 =  | 29-924 993-70/916 | 21 = | 29-924 993-70/959 |
| 3 =  | 29-924 993-70/592 | 22 = | 29-924 993-70/592 |
| 4 =  | 29-924 993-71/117 | 23 = | 29-924 993-71/123 |
| 5 =  | 29-924 993-71/118 | 24 = | 29-924 993-70/364 |
| 6 =  | 29-924 993-71/119 | 25 = | 29-924 993-70/621 |
| 7 =  | 29-924 993-70/402 | 26 = | 29-924 993-70/161 |
| 8 =  | 29-924 993-70/440 | 27 = | 29-924 993-71/124 |
| 9 =  | 29-924 993-70/592 | 28 = | 29-924 993-71/125 |
| 10 = | 29-924 993-71/120 | 29 = | 29-924 993-70/075 |
| 11 = | 29-924 993-70/405 | 30 = | 29-924 993-71/126 |
| 12 = | 29-924 993-70/406 | 31 = | 29-924 993-70/991 |
| 13 = | 29-924 993-70/407 | 32 = | 29-924 993-70/090 |
| 14 = | 29-924 993-70/621 | 33 = | 29-924 993-70/511 |
| 15 = | 29-924 993-70/408 | 34 = | 29-924 993-70/512 |
| 16 = | 29-924 993-70/158 | 35 = | 29-924 993-70/410 |
| 17 = | 29-924 993-70/159 | 36 = | 29-924 993-70/168 |
| 18 = | 29-924 993-71/121 | 37 = | 29-924 993-70/392 |
| 19 = | 29-924 993-71/118 |      |                   |



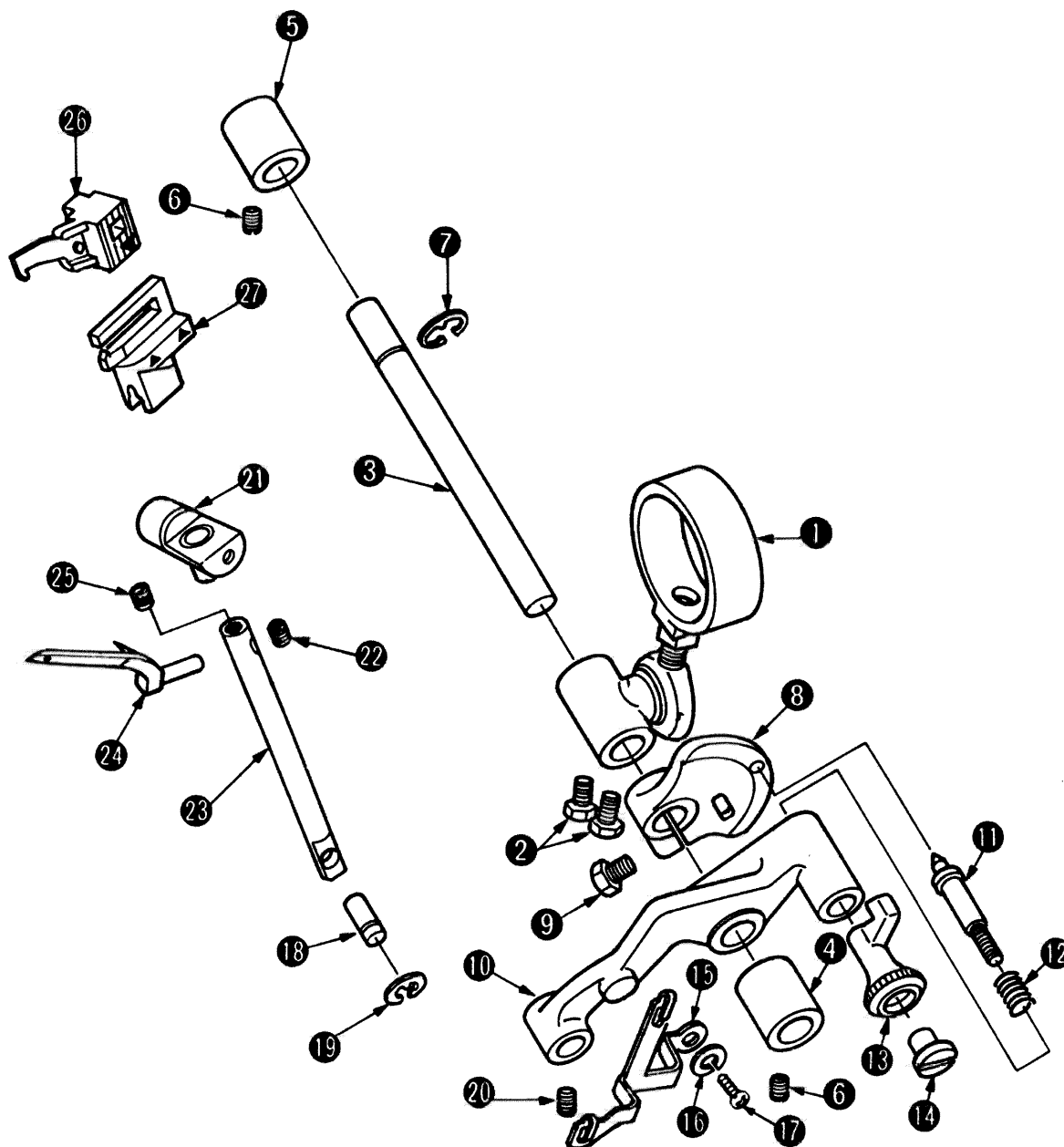
**Linker Greifer**  
**Left looper**  
**Boucleur gauche**  
**Garfio izquierdo**  
**Crochet sinistro**



1 = 29-924 993-70/522  
 2 = 29-924 993-70/413  
 3 = 29-924 993-70/516  
 4 = 29-924 993-18/000  
 5 = 29-924 993-70/592  
 6 = 29-924 993-70/917  
 7 = 29-924 993-70/592  
 8 = 29-924 993-70/517  
 9 = 29-924 993-70/518

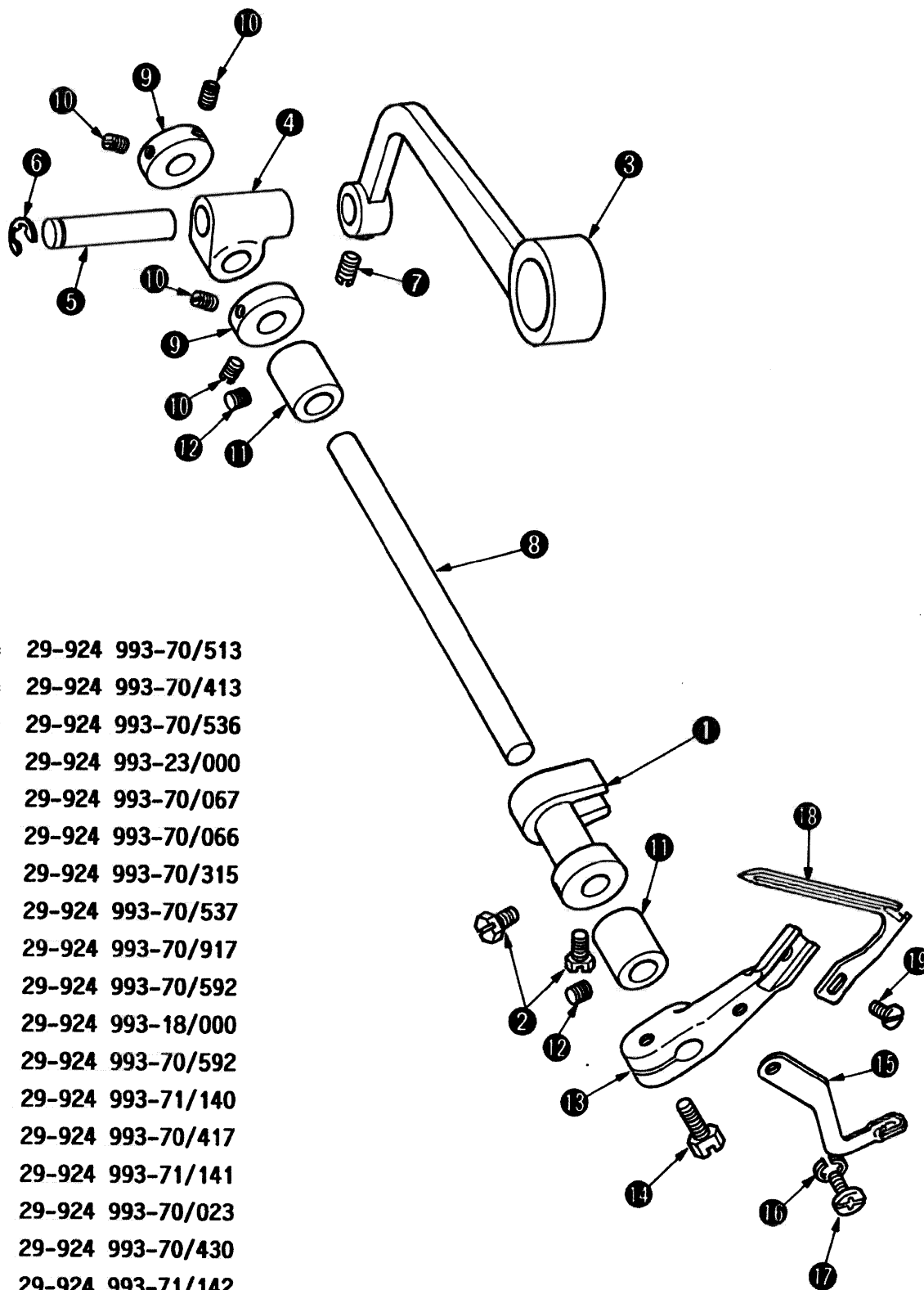
10 = 29-924 993-71/127  
 11 = 29-924 993-70/023  
 12 = 29-924 993-70/430  
 13 = 29-924 993-70/520  
 14 = 29-924 993-70/421  
 15 = 29-924 993-70/329  
 16 = 29-924 993-71/128  
 17 = 29-924 993-70/430

**Rechter Greifer**  
**Right looper**  
**Boucleur droit**  
**Garfio derecho**  
**Crochet destro**



- |                       |                        |                        |
|-----------------------|------------------------|------------------------|
| 1 = 29-924 993-70/423 | 10 = 29-924 993-71/130 | 19 = 29-924 993-70/465 |
| 2 = 29-924 993-70/413 | 11 = 29-924 993-71/131 | 20 = 29-924 993-70/349 |
| 3 = 29-924 993-71/129 | 12 = 29-924 993-70/528 | 21 = 29-924 993-71/135 |
| 4 = 29-924 993-70/916 | 13 = 29-924 993-71/132 | 22 = 29-924 993-70/592 |
| 5 = 29-924 993-18/000 | 14 = 29-924 993-71/133 | 23 = 29-924 993-71/136 |
| 6 = 29-924 993-70/592 | 15 = 29-924 993-71/134 | 24 = 29-924 993-71/137 |
| 7 = 29-924 993-70/075 | 16 = 29-924 993-70/023 | 25 = 29-924 993-70/592 |
| 8 = 29-924 993-70/525 | 17 = 29-924 993-70/392 | 26 = 29-924 993-71/138 |
| 9 = 29-924 993-70/518 | 18 = 29-924 993-70/532 | 27 = 29-924 993-71/139 |

**Doppelkettenstichgreifer**  
**Double chain looper drive mechanism**  
**Boucleur pour point de chaînette double**  
**Garfio para punto cadeneta**  
**Crochet per il punto a doppia catenella**



- 1 = 29-924 993-70/513
- 2 = 29-924 993-70/413
- 3 = 29-924 993-70/536
- 4 = 29-924 993-23/000
- 5 = 29-924 993-70/067
- 6 = 29-924 993-70/066
- 7 = 29-924 993-70/315
- 8 = 29-924 993-70/537
- 9 = 29-924 993-70/917
- 10 = 29-924 993-70/592
- 11 = 29-924 993-18/000
- 12 = 29-924 993-70/592
- 13 = 29-924 993-71/140
- 14 = 29-924 993-70/417
- 15 = 29-924 993-71/141
- 16 = 29-924 993-70/023
- 17 = 29-924 993-70/430
- 18 = 29-924 993-71/142
- 19 = 29-924 993-70/430

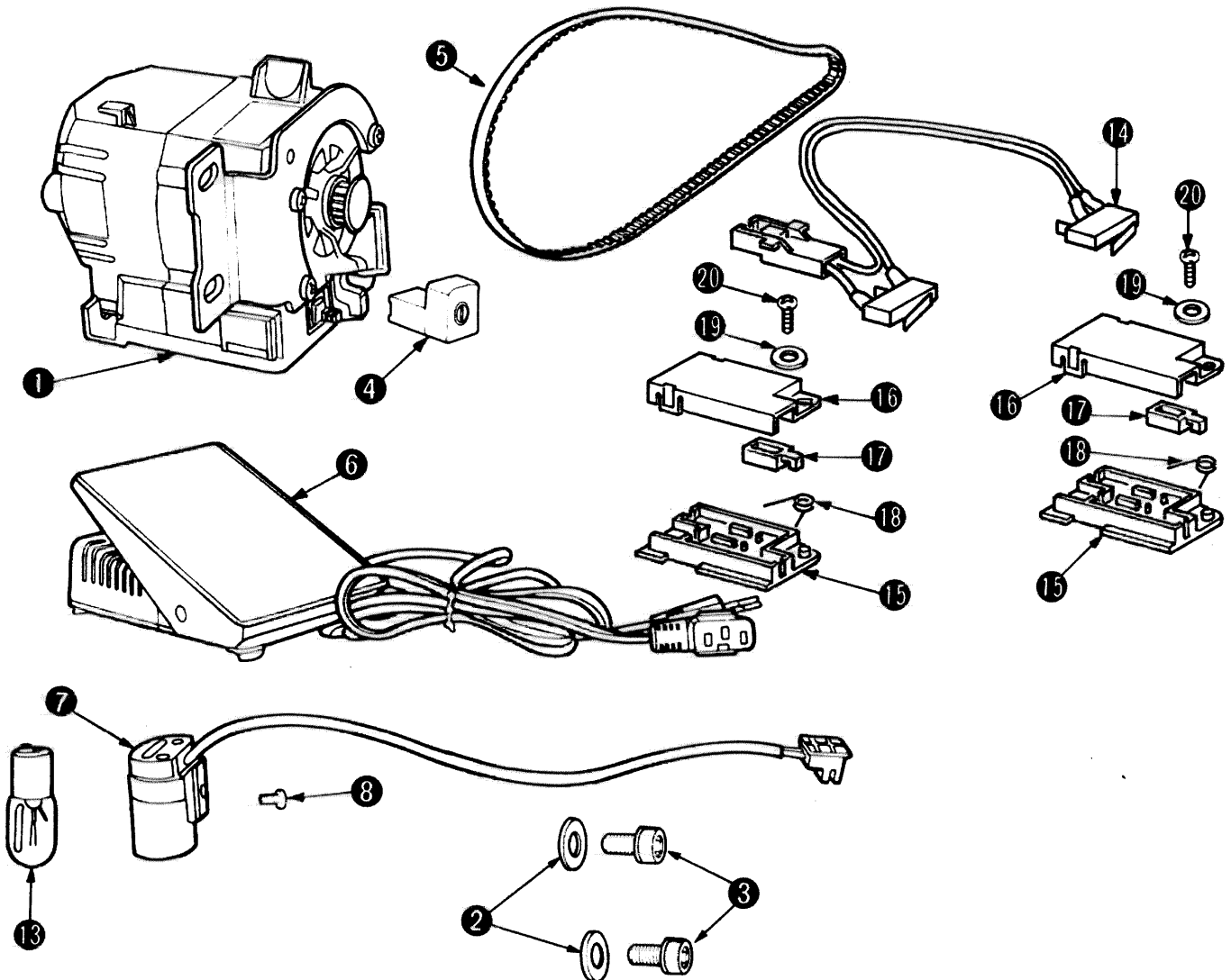
**Motor/Anlasser/Einbauleuchte**

**Motor/foot control/built-in lamp**

**Moteur/Rhéostat à pédale/Lampe d'éclairage incorporée**

**Motor/Pedal de arranque/Lámpara incorporada**

**Motore/Reostato a pedale/Lampadina incorporata**



1 = 902-1041-001 (220/240V)  
902-1041-003 (120V)

a = 92-328 651-75

b = 12-315 110-25

c = 11-190 174-25

2 = 29-924 993-70/025

3 = 29-924 993-71/139

4 = 92-328 653-91

5 = 92-326 871-05

6 = 902-2006-911 (220V, VDE Standard)  
902-2300-911 (220V, VDE Elektronik)  
902-2300-914 (220/240V SAA Elektronik)  
902-2300-916 (220/240V BEAB Elektronik)  
902-2300-913 (120V CSA Elektronik)

7 = 902-3304-001 (230V, VDE, BEAB)

902-3304-004 (240V, SAA)  
902-3304-013 (120V, UL, CSA)

8 = 29-924 993-70/370

9 = 29-924 993-71/143

10 = 29-924 993-70/392

11 = 29-924 993-70/483

12 = 29-924 993-70/621

13 = 70-251 652-01

14 = 29-924 993-71/144

15 = 29-924 993-71/145

16 = 29-924 993-71/146

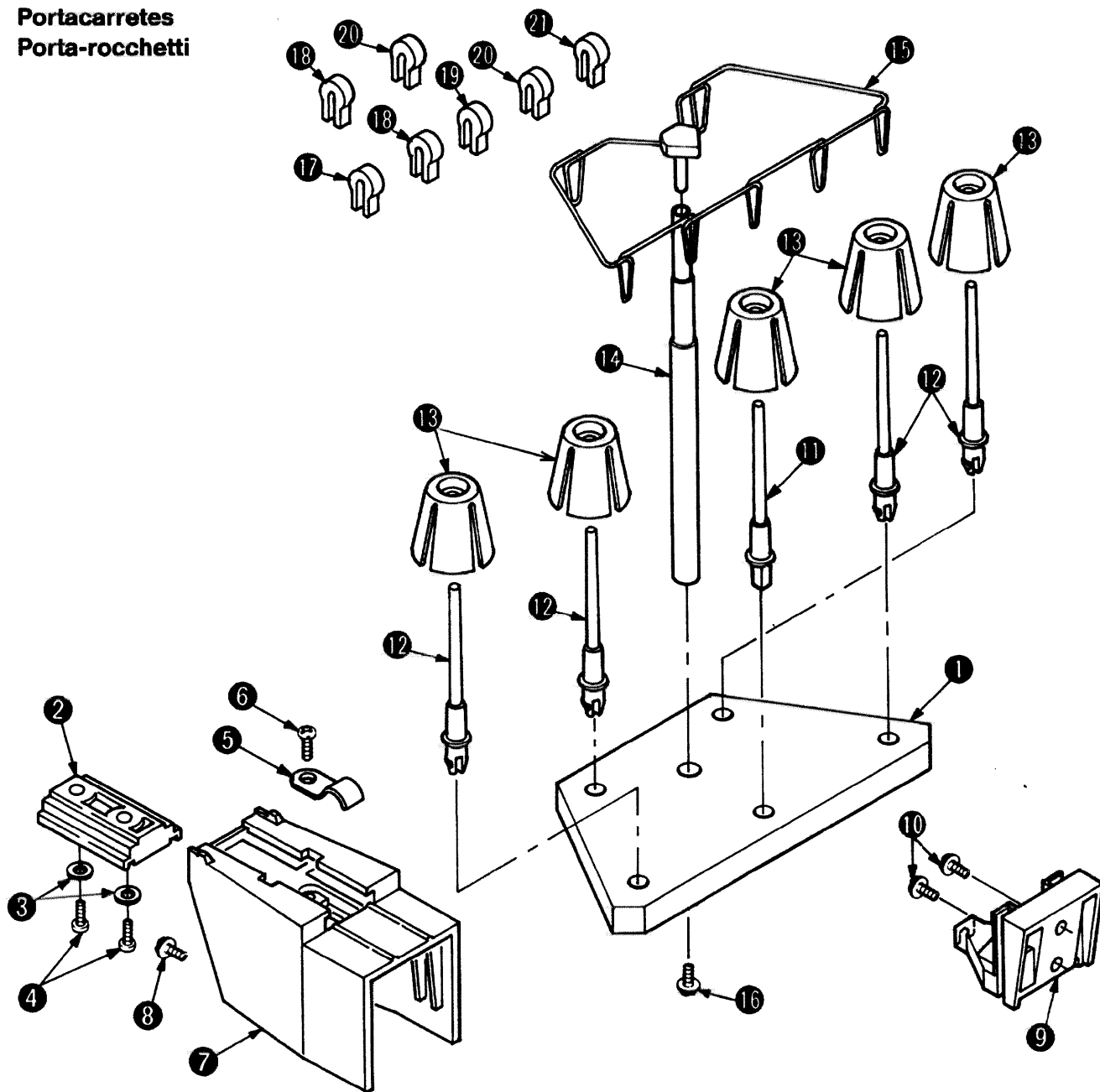
17 = 29-924 993-71/147

18 = 29-924 993-71/148

19 = 29-924 993-70/367

20 = 29-924 993-71/149

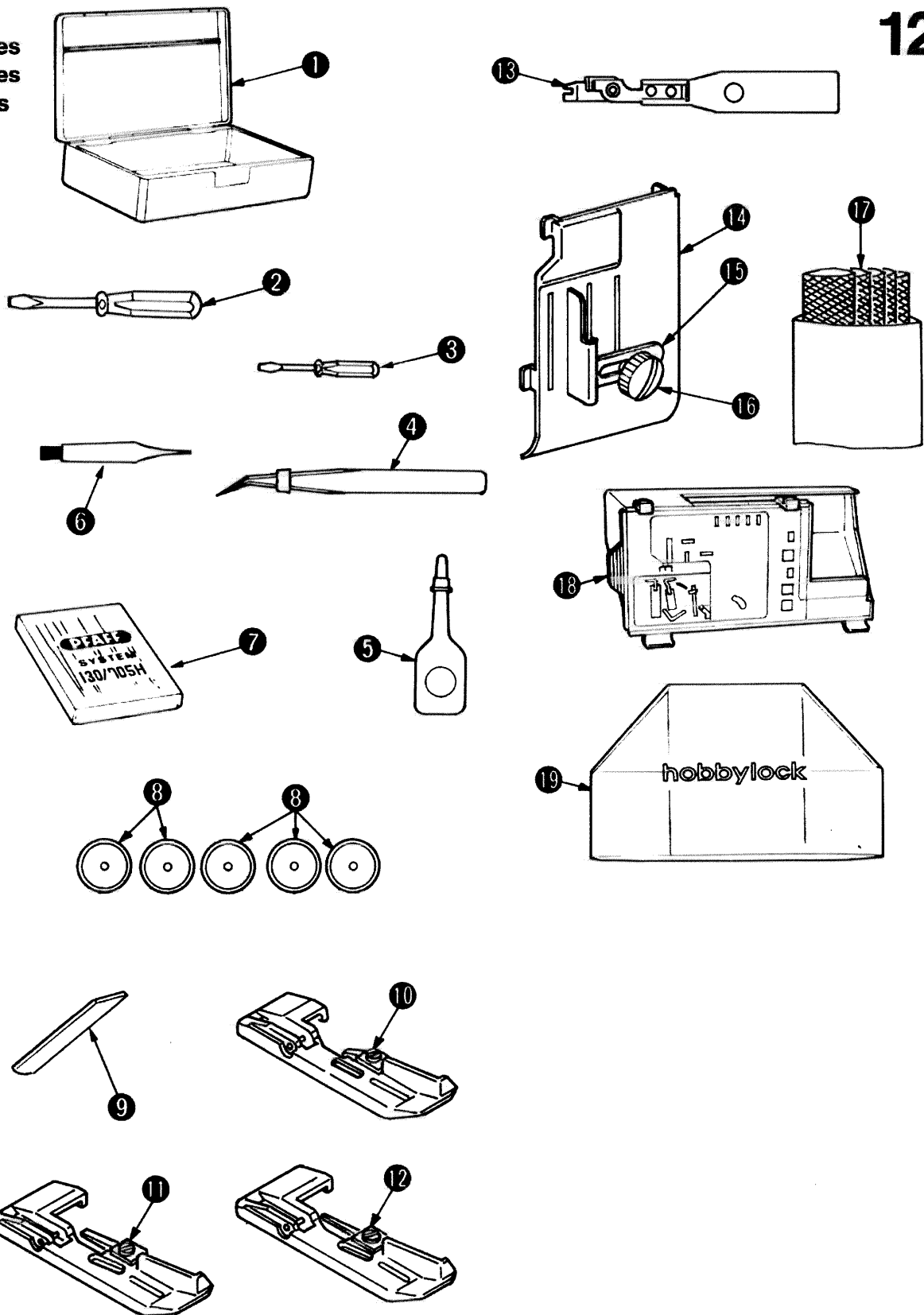
**Garnrollenständer**  
**Thread stand**  
**Porte-bobines**  
**Portacarretes**  
**Porta-rocchetti**



- 1 = 29-924 993-71/003
- 2 = 29-924 993-71/004
- 3 = 29-924 993-70/367
- 4 = 29-924 993-71/006
- 5 = 29-924 993-71/007
- 6 = 29-924 993-71/008
- 7 = 29-924 993-71/009
- 8 = 29-924 993-70/954
- 9 = 29-924 993-70/542
- 10 = 29-924 993-70/954
- 11 = 29-924 993-71/161

- 12 = 29-924 993-70/543
- 13 = 29-924 993-70/544
- 14 = 29-924 993-71/010
- 15 = 29-924 993-70/546
- 16 = 29-924 993-70/954
- 17 = 29-924 993-71/066
- 18 = 29-924 993-71/068
- 19 = 29-924 993-71/067
- 20 = 29-924 993-71/069
- 21 = 29-924 993-71/162

Zubehör  
 Accessories  
 Accessoires  
 Accesorios  
 Accessori

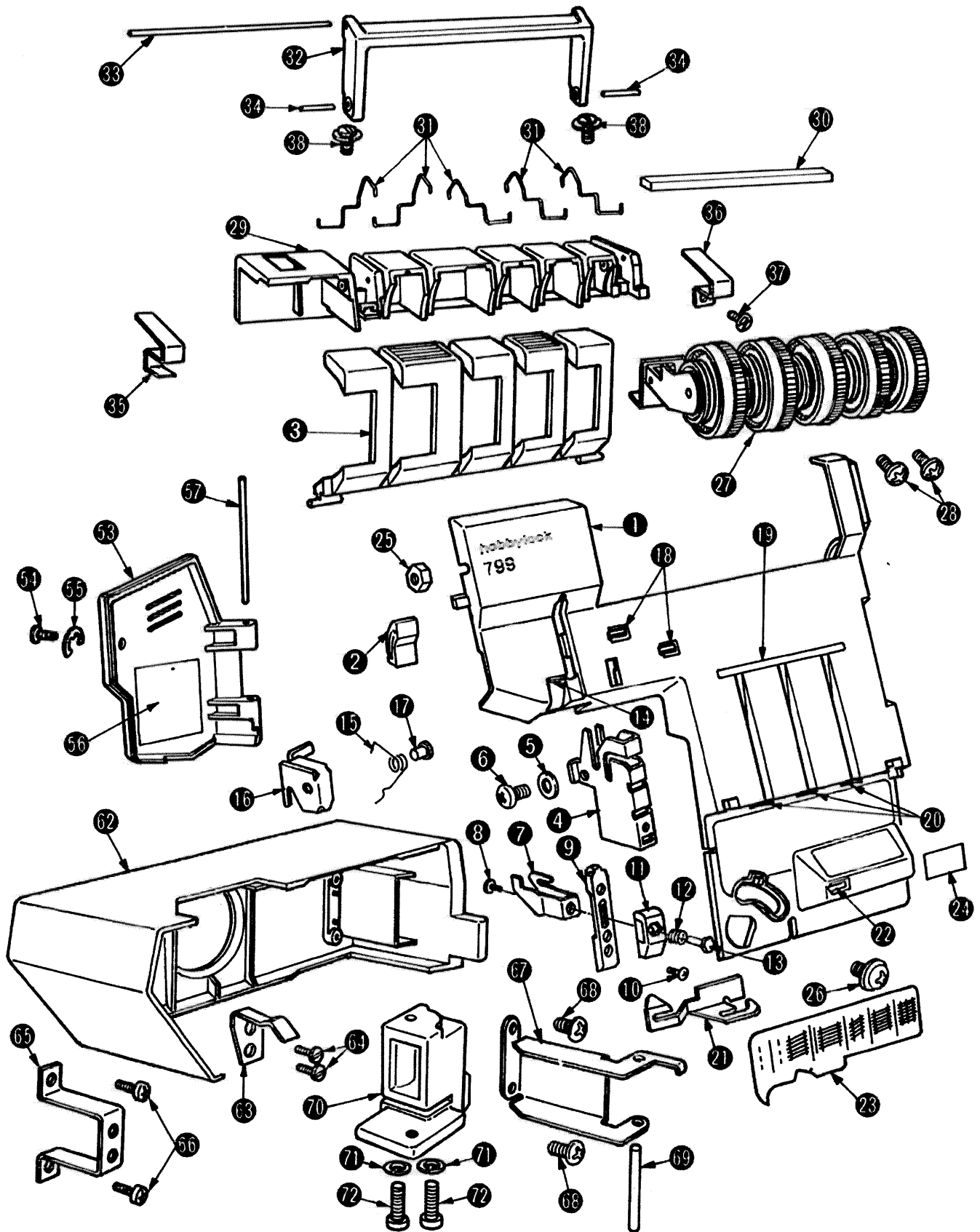


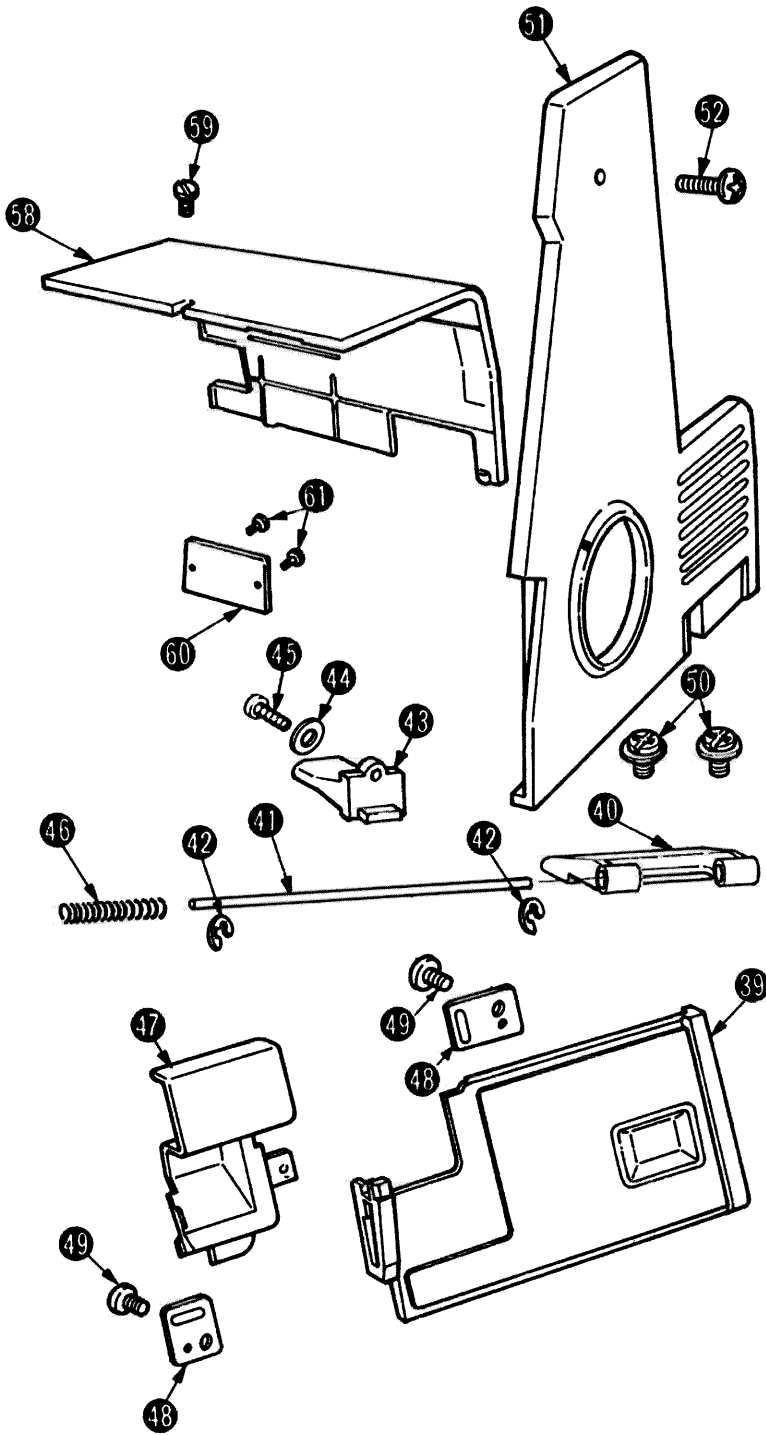
- 1 = 29-924 993-70/245
- 2 = 29-924 993-70/247
- 3 = 29-924 993-70/547
- 4 = 29-924 993-70/083
- 5 = 29-924 993-70/250
- 6 = 29-924 993-70/249
- 7 = 49-019 914-31/000

- 8 = 29-924 993-70/081
- 9 = 29-924 992-56/000
- 10 = 29-924 993-71/163
- 11 = 29-924 993-71/164
- 12 = 29-924 993-71/165
- 13 = 29-924 993-71/017
- 14 = 29-924 993-70/549

- 15 = 29-924 993-70/071
- 16 = 29-924 993-70/166
- 17 = 29-924 993-70/445
- 18 = 29-924 993-71/167
- 19 = 29-924 993-71/150

**Gehäuse-Abdeckungen/Oberfadenspannung**  
**Housing covers/top feed tension**  
**Caches/Tension supérieure**  
**Tapas de la carcasa/Tensión del hilo superior**  
**Coperchi del carter/Tensione superiore**





- 1 = 29-924 993-71/168
- 2 = 29-924 993-70/191
- 3 = 29-924 993-70/551
- 4 = 29-924 993-71/169
- 5 = 29-924 993-70/310
- 6 = 29-924 993-70/448
- 7 = 29-924 993-71/170
- 8 = 29-924 993-70/966
- 9 = 29-924 993-71/171
- 10 = 29-924 993-70/966
- 11 = 29-924 993-71/172
- 12 = 29-924 993-71/173

- 13 = 29-924 993-71/174
- 14 = 29-924 993-71/175
- 15 = 29-924 993-70/554
- 16 = 29-924 993-70/555
- 17 = 29-924 993-70/556
- 18 = 29-924 993-70/557
- 19 = 29-924 993-70/558
- 20 = 29-924 993-70/236
- 21 = 29-924 993-71/176
- 22 = 29-924 993-71/177
- 23 = 29-924 993-71/178
- 24 = 29-924 993-71/179

- 25 = 29-924 993-70/453
- 26 = 29-924 993-70/954
- 27 = 29-924 993-71/180
- 28 = 29-924 993-70/627
- 29 = 29-924 993-70/564
- 30 = 29-924 993-71/181
- 31 = 29-924 993-70/457
- 32 = 29-924 993-70/565
- 33 = 29-924 993-70/566
- 34 = 29-924 993-70/218
- 35 = 29-924 993-70/461
- 36 = 29-924 993-70/567
- 37 = 29-924 993-70/568
- 38 = 29-924 993-70/954
- 39 = 29-924 993-71/182
- 40 = 29-924 993-71/183
- 41 = 29-924 993-71/184
- 42 = 29-924 993-70/465
- 43 = 29-924 993-71/185
- 44 = 29-924 993-70/367
- 45 = 29-924 993-71/008
- 46 = 29-924 993-70/467
- 47 = 29-924 993-71/186
- 48 = 29-924 993-71/187
- 49 = 29-924 993-70/373
- 50 = 29-924 993-70/954
- 51 = 29-924 993-71/188
- 52 = 29-924 993-70/934
- 53 = 29-924 993-70/572
- 54 = 29-924 993-70/470
- 55 = 29-924 993-70/465
- 56 = 29-924 993-70/273
- 57 = 29-924 993-70/219
- 58 = 29-924 993-70/220
- 59 = 29-924 993-70/954
- 60 = 29-924 993-71/189
- 61 = 29-924 993-70/277
- 62 = 29-924 993-71/190
- 63 = 29-924 993-71/191
- 64 = 29-924 993-70/329
- 65 = 29-924 993-70/576
- 66 = 29-924 993-70/494
- 67 = 29-924 993-70/577
- 68 = 29-924 993-70/578
- 69 = 29-924 993-70/579
- 70 = 29-924 993-71/053
- 71 = 29-924 993-70/313
- 72 = 29-924 993-70/475