

PFAFF[®]

hobbylock 797

Bestandteile-Liste

List of spare parts

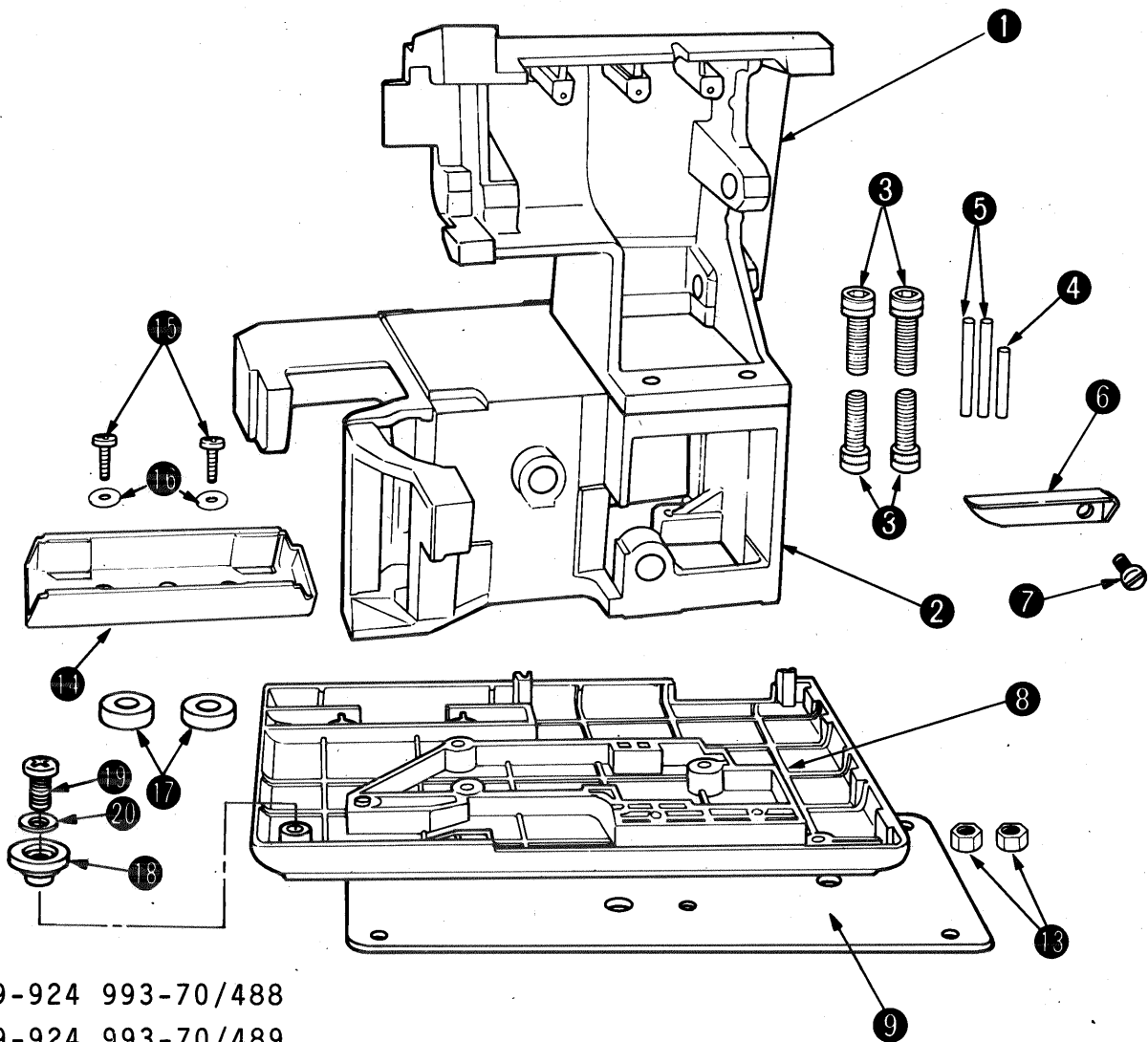
Liste des pièces détachées

Catalogo pezzi staccati

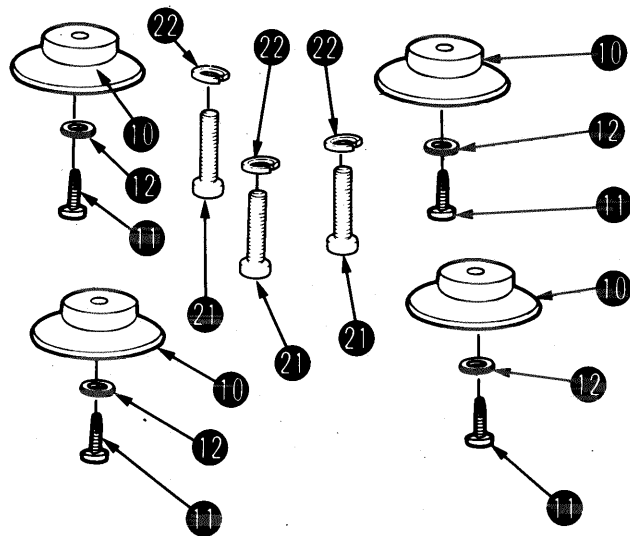
Lista de piezas de repuesto

Gehäuse
Housing
Carcasse
Carcasa
Carter

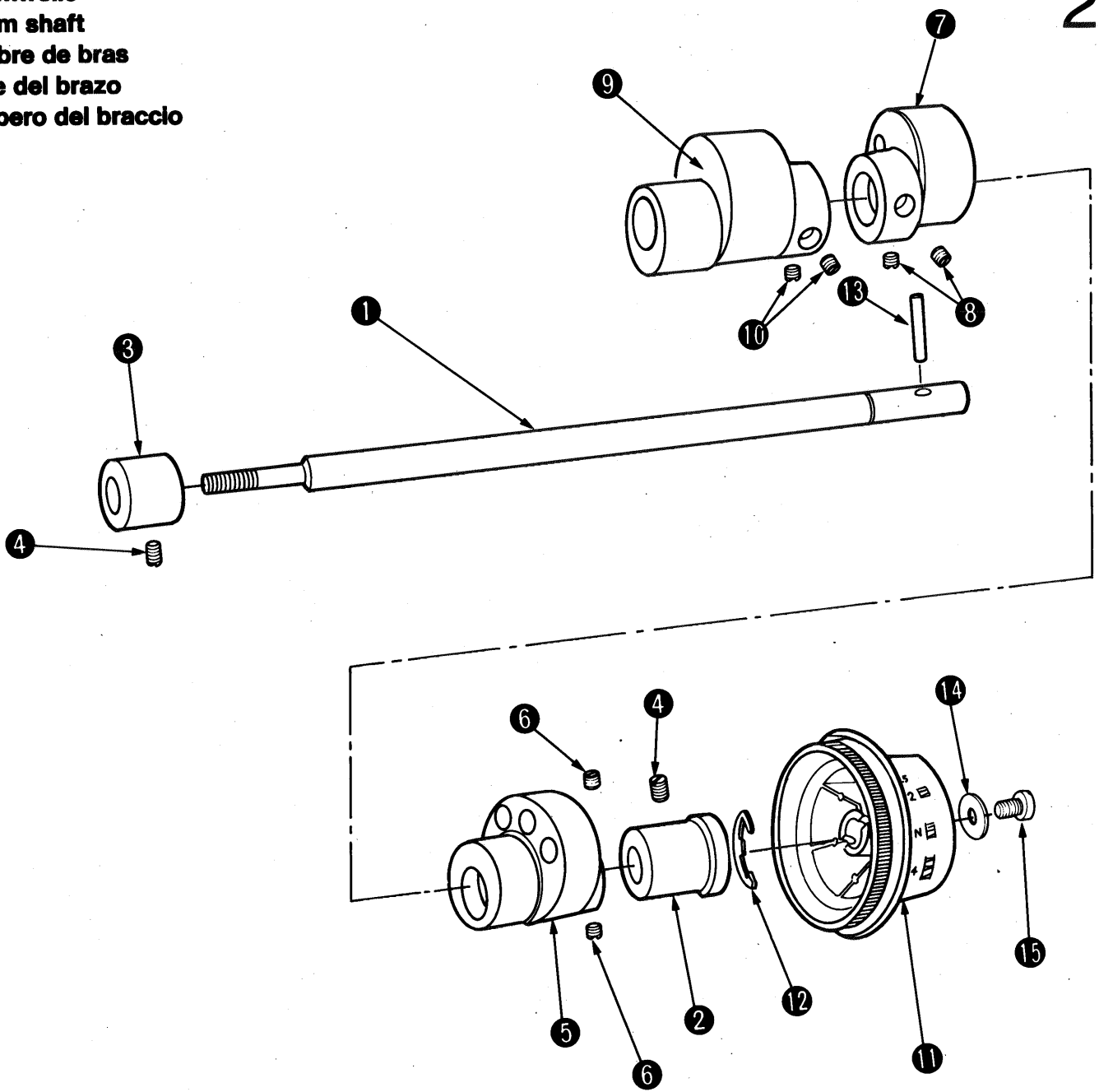
1



- 1 = 29-924 993-70/488
- 2 = 29-924 993-70/489
- 3 = 29-924 993-70/308
- 4 = 29-924 993-70/086
- 5 = 29-924 990-01/000
- 6 = 29-924 993-14/000
- 7 = 29-924 993-70/365
- 8 = 29-924 993-70/087
- 9 = 29-924 993-70/490
- 10 = 29-924 993-70/089
- 11 = 29-924 993-70/090
- 12 = 29-924 993-70/310
- 13 = 29-924 991-83/000
- 14 = 29-924 993-70/246
- 15 = 29-924 993-70/491
- 16 = 29-924 993-70/315
- 17 = 29-924 993-70/492
- 18 = 29-924 993-70/493
- 19 = 29-924 993-70/494
- 20 = 29-924 993-70/031
- 21 = 29-924 993-70/021
- 22 = 29-924 990-05/000



Armwelle
Arm shaft
Arbre de bras
Eje del brazo
Albero del braccio

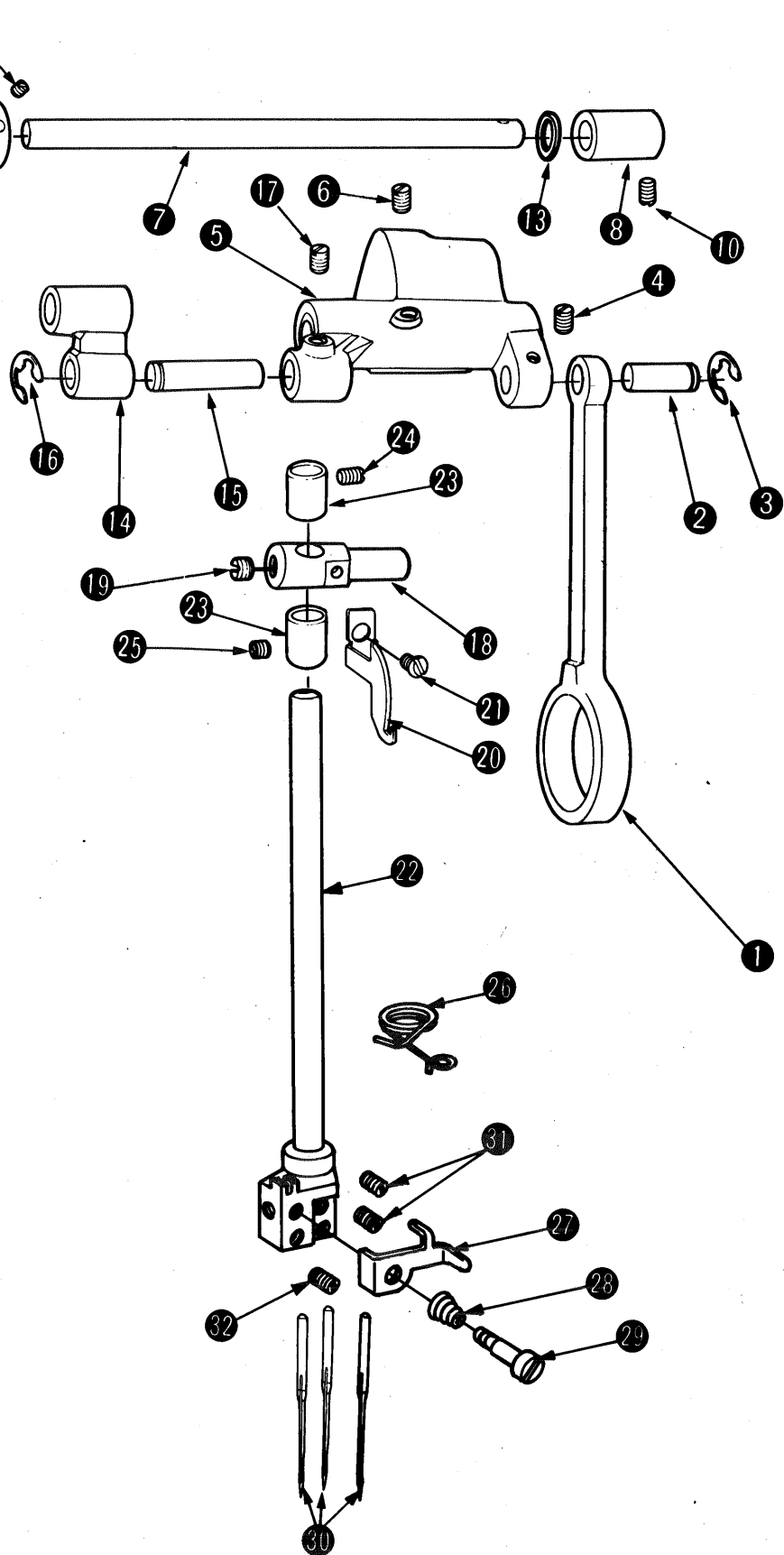


- 1 = 29-924 993-70/314
- 2 = 29-924 993-15/000
- 3 = 29-924 993-16/000
- 4 = 29-924 990-06/000
- 5 = 29-924 993-70/495
- 6 = 29-924 990-09/000
- 7 = 29-924 993-70/318
- 8 = 29-924 990-09/000

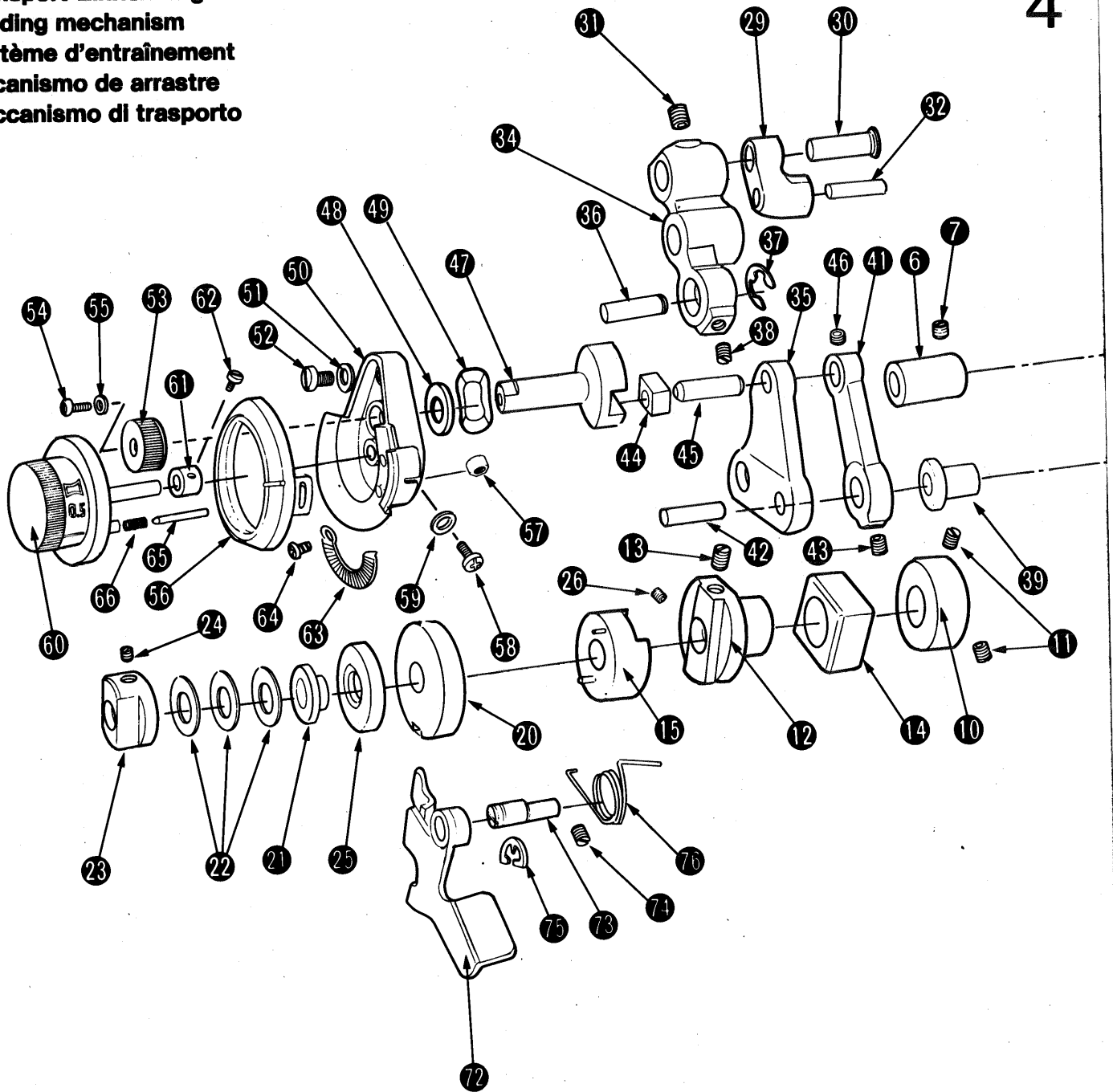
- 9 = 29-924 993-70/496
- 10 = 29-924 990-09/000
- 11 = 29-924 993-70/319
- 12 = 29-924 993-70/042
- 13 = 29-924 993-70/043
- 14 = 29-924 993-70/013
- 15 = 29-924 993-70/012

Nadelstange mit Antrieb
Needle bar with drive
Barre à aiguille avec commande
Barra de aguja con accionamiento
Barra d'ago con comando

- 1 = 29-924 993-70/050
- 2 = 29-924 993-70/322
- 3 = 29-924 993-70/075
- 4 = 29-924 990-06/000
- 5 = 29-924 993-70/323
- 6 = 29-924 990-06/000
- 7 = 29-924 993-70/324
- 8 = 29-924 993-70/059
- 9 = 29-924 993-18/000
- 10 = 29-924 990-06/000
- 11 = 29-924 993-21/000
- 12 = 29-924 990-20/000
- 13 = 29-924 993-70/109
- 14 = 29-924 993-70/497
- 15 = 29-924 993-70/104
- 16 = 29-924 993-70/075
- 17 = 29-924 990-06/000
- 18 = 29-924 993-70/326
- 19 = 29-924 990-08/000
- 20 = 29-924 993-70/498
- 21 = 29-924 993-70/329
- 22 = 29-924 993-70/330
- 23 = 29-924 993-70/074
- 24 = 29-924 990-06/000
- 25 = 29-924 990-09/000
- 26 = 29-924 993-70/499
- 27 = 29-924 993-70/500
- 28 = 29-924 993-70/048
- 29 = 29-924 993-70/049
- 30 = 49-019 914-31/000
- 31 = 29-924 993-70/501
- 32 = 29-924 993-70/502



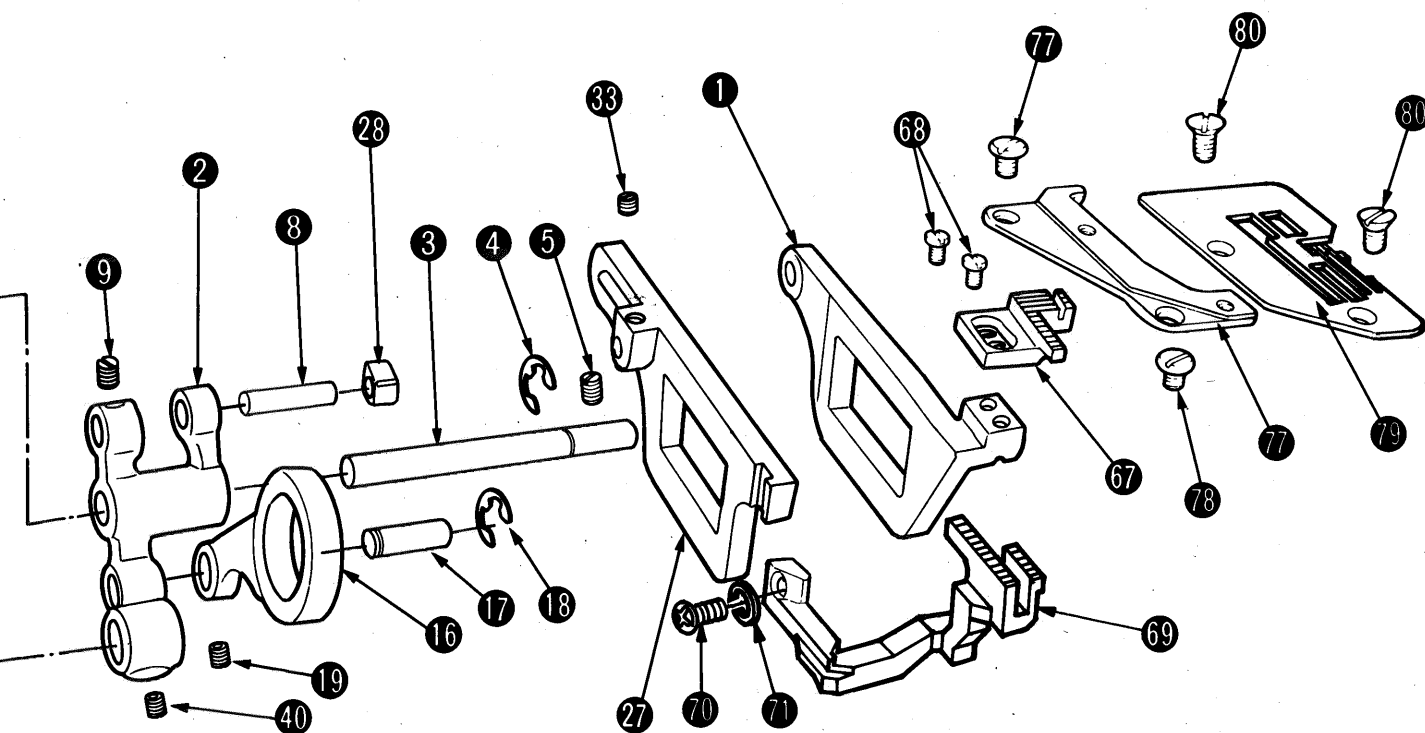
Transport-Einrichtung
Feeding mechanism
Système d'entraînement
Mecanismo de arrastre
Meccanismo di trasporto



- 1 = 29-924 993-70/333
- 2 = 29-924 993-70/334
- 3 = 29-924 993-70/055
- 4 = 29-924 993-70/075
- 5 = 29-924 990-06/000
- 6 = 29-924 993-31/000
- 7 = 29-924 990-09/000
- 8 = 29-924 993-70/335
- 9 = 29-924 993-70/336
- 10 = 29-924 993-70/337
- 11 = 29-924 993-70/004
- 12 = 29-924 993-70/339
- 13 = 29-924 990-06/000
- 14 = 29-924 993-70/340

- 15 = 29-924 993-70/341
- 16 = 29-924 993-70/342
- 17 = 29-924 993-70/343
- 18 = 29-924 993-70/075
- 19 = 29-924 993-70/004
- 20 = 29-924 993-70/344
- 21 = 29-924 993-70/345
- 22 = 29-924 993-70/346
- 23 = 29-924 993-70/347
- 24 = 29-924 990-20/000
- 25 = 29-924 993-70/348
- 26 = 29-924 993-70/349
- 27 = 29-924 993-70/350
- 28 = 29-924 993-70/285

- 29 = 29-924 993-70/351
- 30 = 29-924 993-70/352
- 31 = 29-924 993-70/336
- 32 = 29-924 993-70/335
- 33 = 29-924 990-20/000
- 34 = 29-924 993-70/353
- 35 = 29-924 993-70/354
- 36 = 29-924 993-70/343
- 37 = 29-924 993-70/075
- 38 = 29-924 993-70/004
- 39 = 29-924 993-70/355
- 40 = 29-924 993-70/004
- 41 = 29-924 993-70/356
- 42 = 29-924 993-70/357

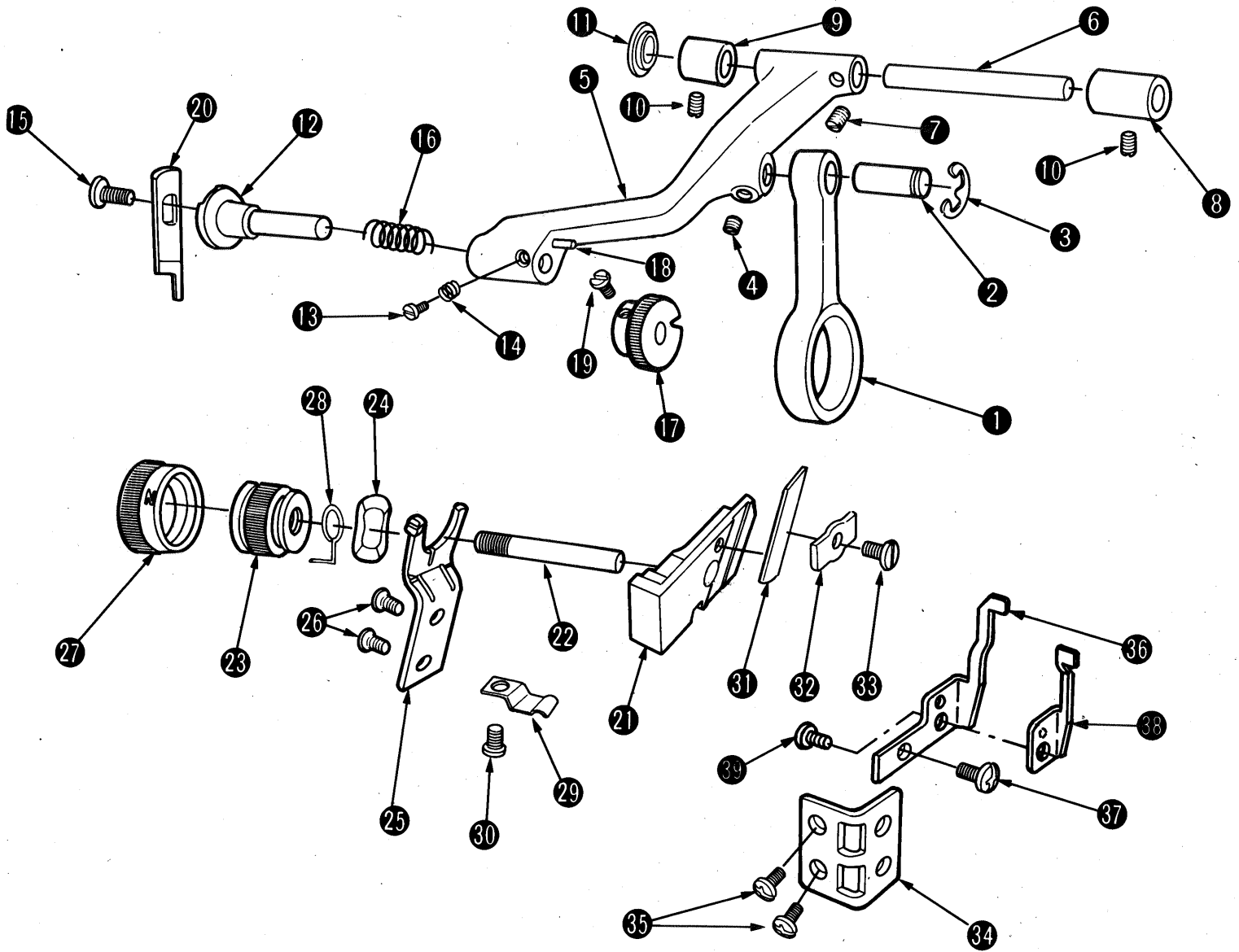


43 = 29-924 993-70/004
 44 = 29-924 993-70/285
 45 = 29-924 993-70/359
 46 = 29-924 990-10/000
 47 = 29-924 993-70/287
 48 = 29-924 993-70/032
 49 = 29-924 993-70/120
 50 = 29-924 993-70/363
 51 = 29-924 993-70/031
 52 = 29-924 990-25/000
 53 = 29-924 993-70/122
 54 = 29-924 993-70/028
 55 = 29-924 993-70/030
 56 = 29-924 993-70/368

57 = 29-924 993-70/369
 58 = 29-924 993-70/022
 59 = 29-924 993-70/031
 60 = 29-924 993-70/371
 61 = 29-924 993-70/126
 62 = 29-924 993-70/000
 63 = 29-924 993-70/372
 64 = 29-924 993-70/034
 65 = 29-924 993-70/374
 66 = 29-924 993-70/375
 67 = 29-924 993-70/503
 68 = 29-924 993-70/329
 69 = 29-924 993-70/504
 70 = 29-924 993-70/378

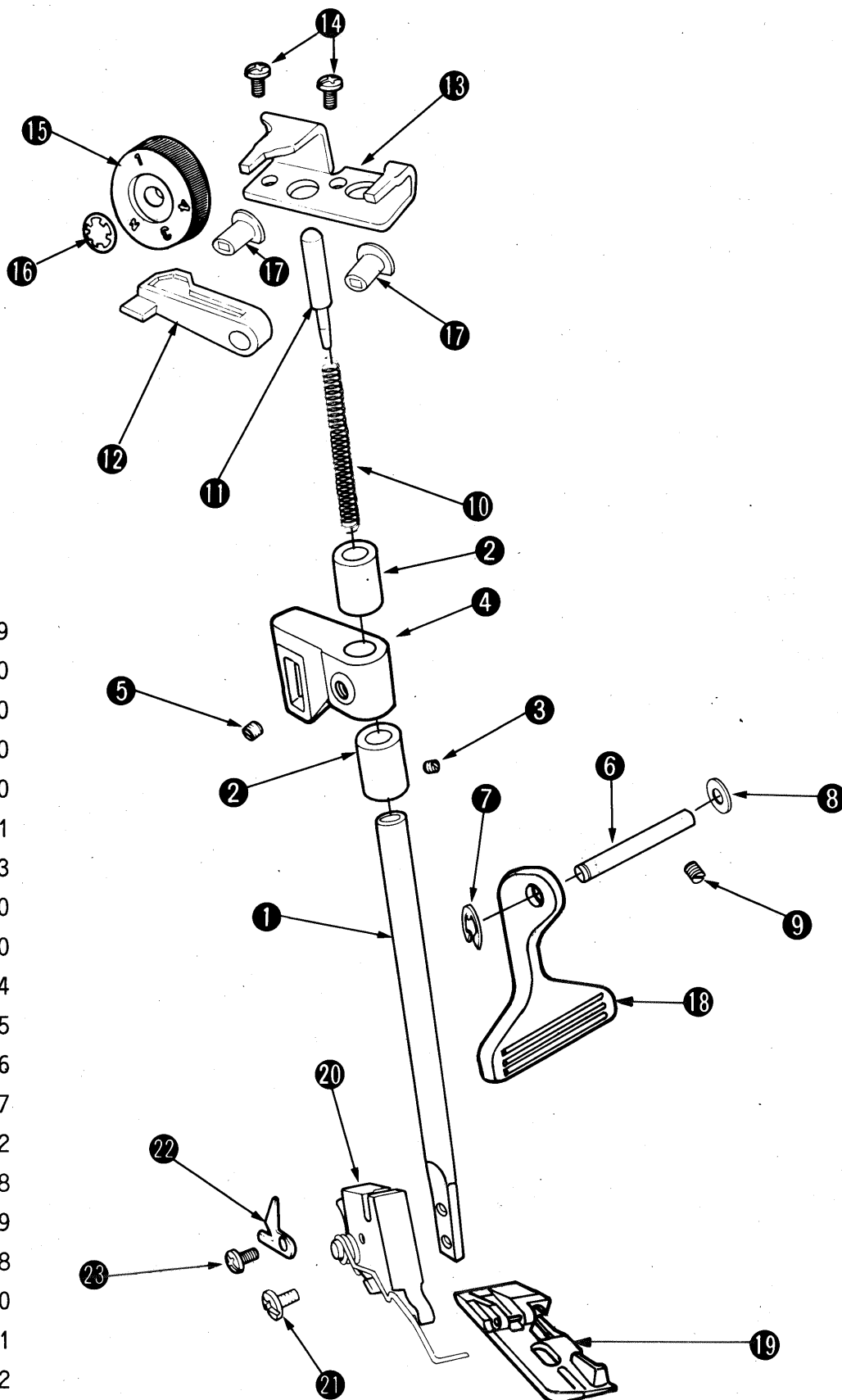
71 = 29-924 993-70/505
 72 = 29-924 993-70/379
 73 = 29-924 993-70/380
 74 = 29-924 993-70/004
 75 = 29-924 993-70/066
 76 = 29-924 993-70/381
 77 = 29-924 993-70/129
 78 = 29-924 993-70/014
 79 = 29-924 993-70/506
 80 = 29-924 993-70/384

Ober- und Untermesser
Upper and lower knife
Couteau supérieur et inférieur
Cuchilla superior e inferior
Coltello superiore ed inferiore



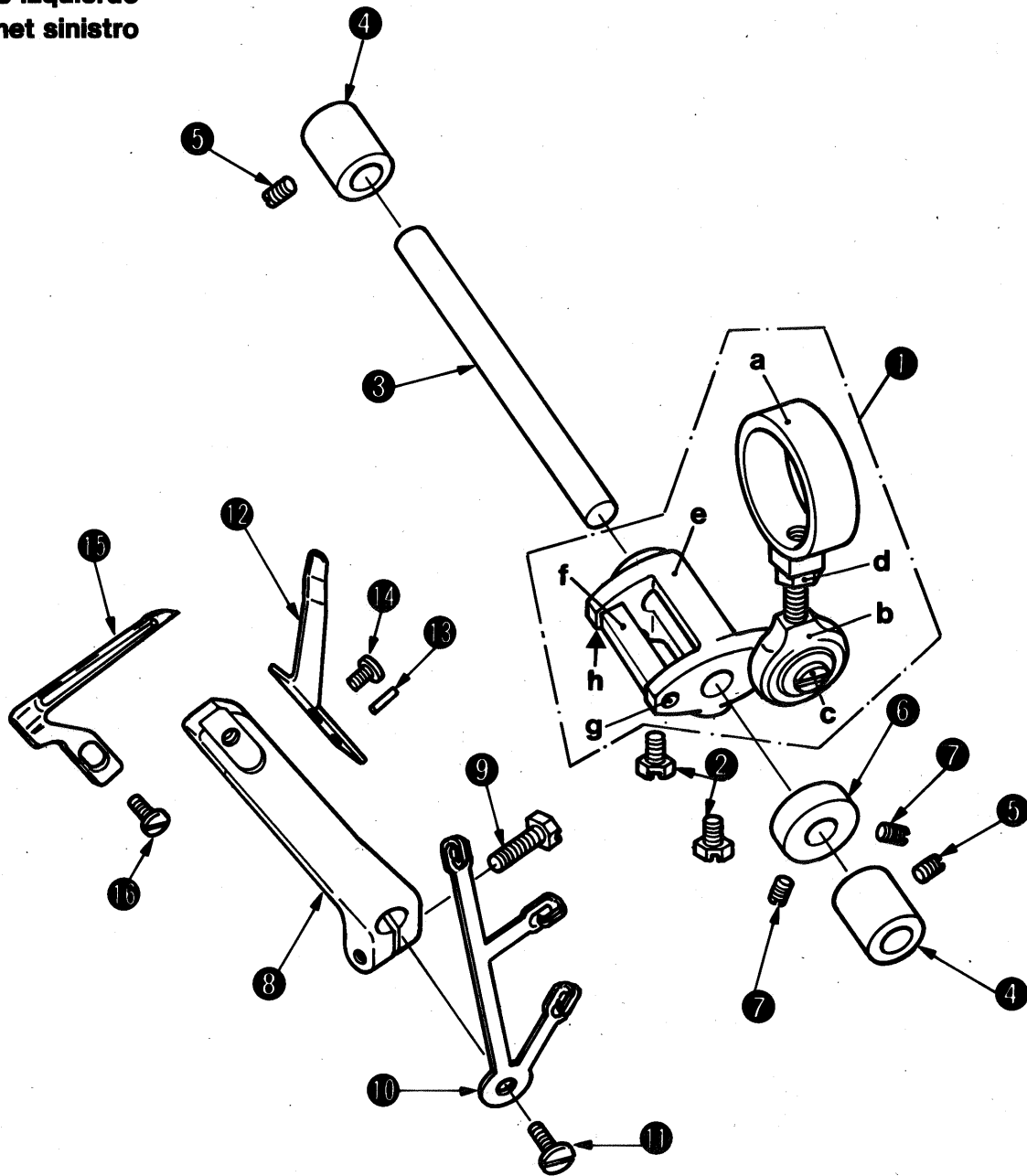
- | | | |
|------------------------|------------------------|------------------------|
| 1 = 29-924 993-70/057 | 14 = 29-924 993-70/135 | 27 = 29-924 993-70/393 |
| 2 = 29-924 993-70/045 | 15 = 29-924 993-70/016 | 28 = 29-924 993-70/394 |
| 3 = 29-924 993-70/075 | 16 = 29-924 993-70/058 | 29 = 29-924 993-70/395 |
| 4 = 29-924 990-09/000 | 17 = 29-924 993-70/134 | 30 = 29-924 990-25/000 |
| 5 = 29-924 993-70/507 | 18 = 29-924 993-70/388 | 31 = 29-924 992-56/000 |
| 6 = 29-924 993-70/133 | 19 = 29-924 993-70/329 | 32 = 29-924 993-70/143 |
| 7 = 29-924 990-06/000 | 20 = 29-924 993-70/389 | 33 = 29-924 993-70/396 |
| 8 = 29-924 993-70/059 | 21 = 29-924 993-70/507 | 34 = 29-924 993-70/147 |
| 9 = 29-924 993-70/197 | 22 = 29-924 993-70/139 | 35 = 29-924 993-70/002 |
| 10 = 29-924 990-06/000 | 23 = 29-924 993-70/390 | 36 = 29-924 993-70/508 |
| 11 = 29-924 993-70/385 | 24 = 29-924 993-70/144 | 37 = 29-924 993-70/027 |
| 12 = 29-924 993-70/056 | 25 = 29-924 993-70/391 | 38 = 29-924 993-70/509 |
| 13 = 29-924 993-70/036 | 26 = 29-924 993-70/002 | 39 = 29-924 993-70/329 |

Stoffdrückerstange mit Nähfuß
Presser bar with presser foot
Barre presse-tissu avec pied
Barra del prensatelas con prensatelas
Barra premistoffa con piedino



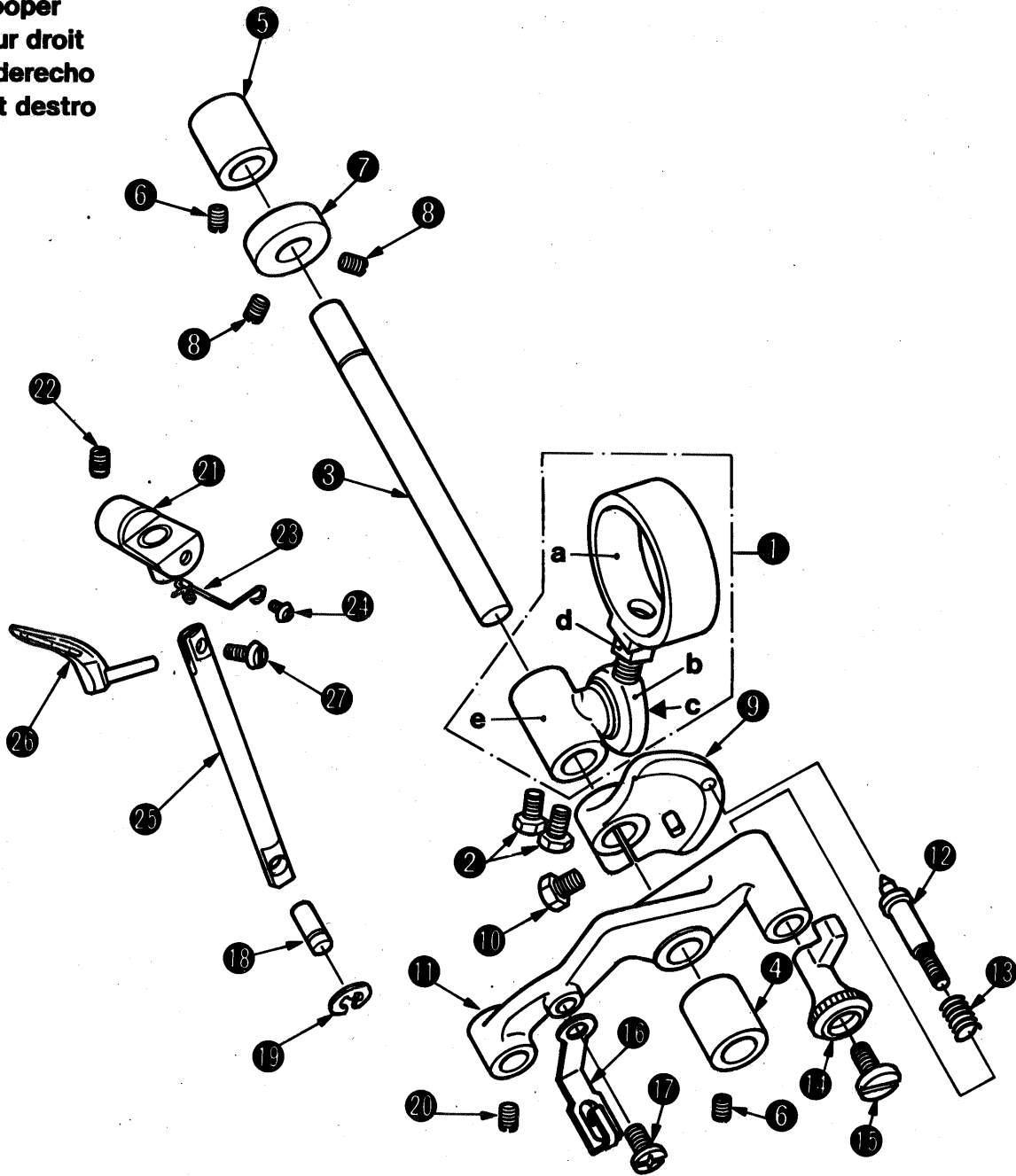
- 1 = 29-924 993-70/399
- 2 = 29-924 993-31/000
- 3 = 29-924 990-20/000
- 4 = 29-924 993-70/400
- 5 = 29-924 990-09/000
- 6 = 29-924 993-70/401
- 7 = 29 924 993-70/033
- 8 = 29-924 993-70/310
- 9 = 29-924 990-17/000
- 10 = 29-924 993-70/404
- 11 = 29-924 993-70/405
- 12 = 29-924 993-70/406
- 13 = 29-924 993-70/407
- 14 = 29-924 993-70/002
- 15 = 29-924 993-70/408
- 16 = 29-924 993-70/159
- 17 = 29-924 993-70/158
- 18 = 29-924 993-70/510
- 19 = 29-924 993-70/511
- 20 = 29-924 993-70/512
- 21 = 29-924 992-01/000
- 22 = 29-924 993-70/168
- 23 = 29-924 993-70/002

Linker Greifer
Left lopper
Boucleur gauche
Garfio izquierdo
Crochet sinistro



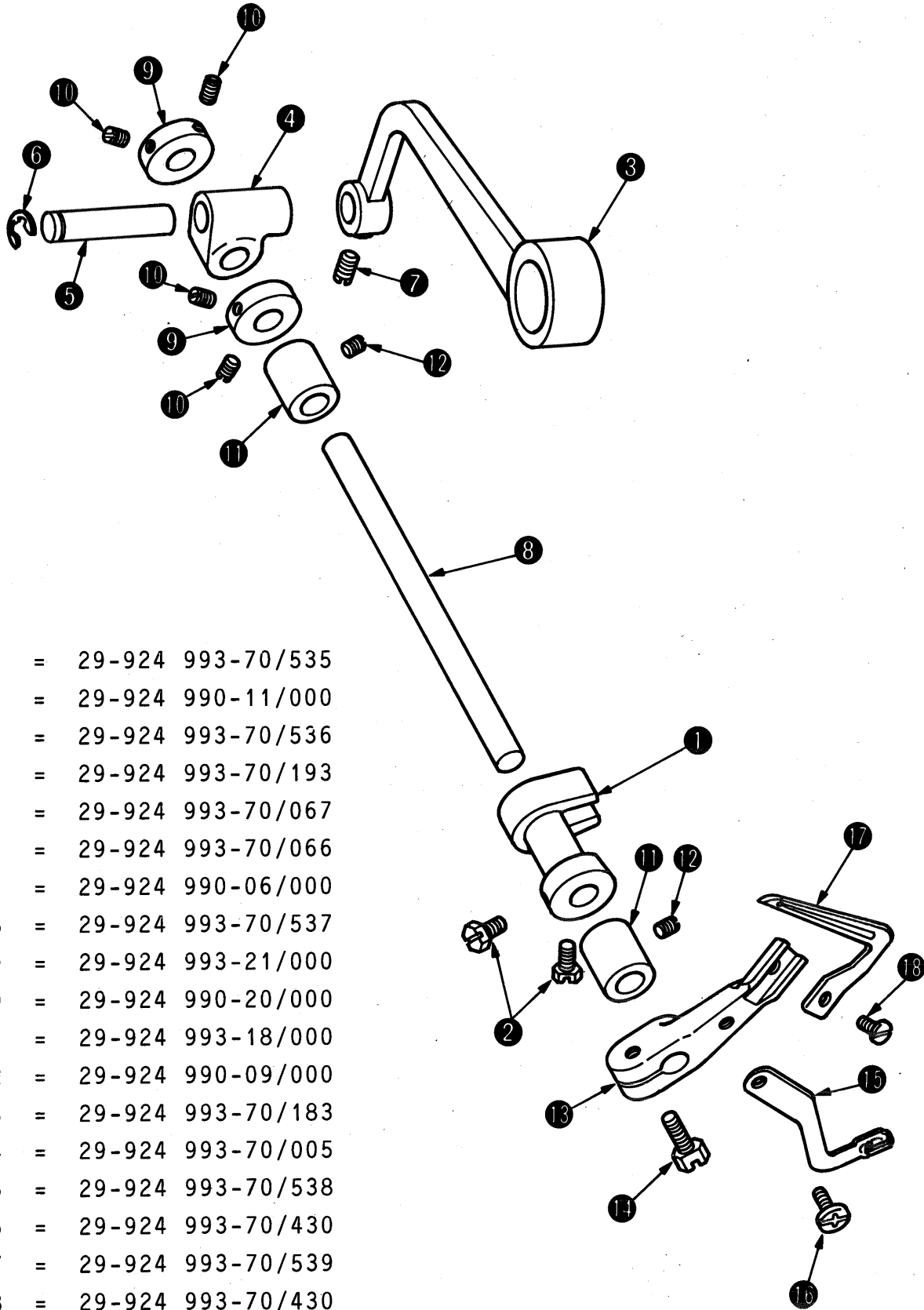
1 =	29-924 993-70/522	5 =	29-924 990-06/000
a =	29-924 993-00/000	6 =	29-924 993-21/000
b =	29-924 993-70/412	7 =	29-924 990-20/000
c =	29-924 992-96/000	8 =	29-924 993-70/517
d =	29-924 992-95/000	9 =	29-924 993-70/518
e =	29-924 993-70/513	10 =	29-924 993-70/519
f =	29-924 993-70/514	11 =	29-924 993-70/430
g =	29-924 993-70/515	12 =	29-924 993-70/520
h =	29-924 990-20/000	13 =	29-924 993-70/421
2 =	29-924 990-11/000	14 =	29-924 993-70/329
3 =	29-924 993-70/516	15 =	29-924 993-70/521
4 =	29-924 993-18/000	16 =	29-924 993-70/430

Rechter Greifer
Right looper
Boucleur droit
Garfio derecho
Crochet destro



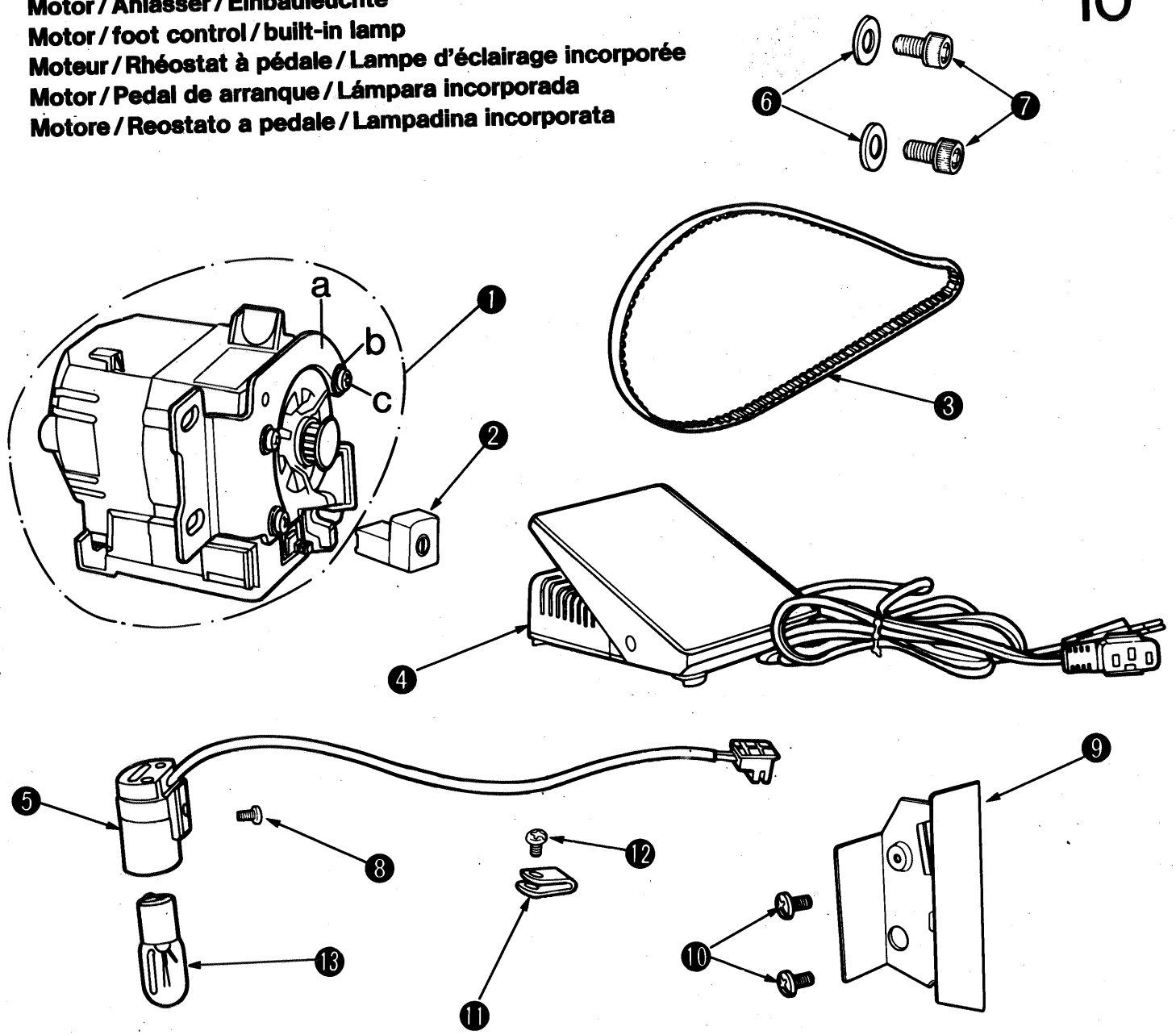
1 = 29-924 993-70/423	7 = 29-924 993-21/000	18 = 29-924 993-70/532
a = 29-924 993-00/000	8 = 29-924 990-20/000	19 = 29-924 993-70/465
b = 29-924 993-70/424	9 = 29-924 993-70/525	20 = 29-924 990-20/000
c = 29-924 992-96/000	10 = 29-924 993-70/518	21 = 29-924 993-70/433
d = 29-924 992-95/000	11 = 29-924 993-70/526	22 = 29-924 990-06/000
e = 29-924 993-70/523	12 = 29-924 993-70/527	23 = 29-924 993-70/533
2 = 29-924 990-11/000	13 = 29-924 993-70/528	24 = 29-924 993-70/329
3 = 29-924 993-70/524	14 = 29-924 993-70/529	25 = 29-924 993-70/181
4 = 29-924 993-31/000	15 = 29-924 993-70/530	26 = 29-924 993-70/534
5 = 29-924 993-18/000	16 = 29-924 993-70/531	27 = 29-924 990-21/000
6 = 29-924 990-06/000	17 = 29-924 993-70/002	

Doppelkettenstichgreifer
Double chain looper drive mechanism
Boucleur pour point de chaînette double
Garfio para punto cadeneta
Crochet per il punto a doppia catenella



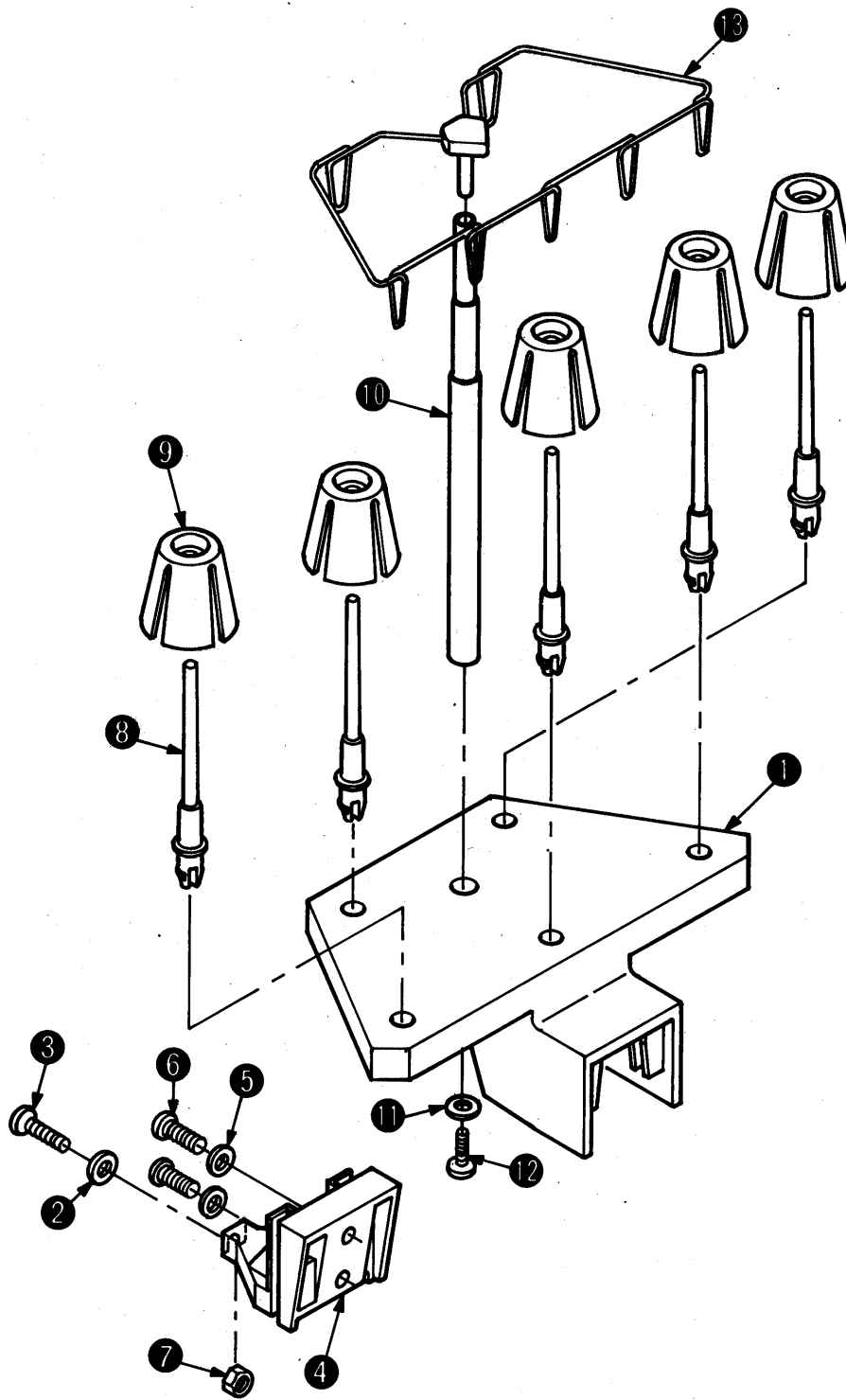
- 1 = 29-924 993-70/535
- 2 = 29-924 990-11/000
- 3 = 29-924 993-70/536
- 4 = 29-924 993-70/193
- 5 = 29-924 993-70/067
- 6 = 29-924 993-70/066
- 7 = 29-924 990-06/000
- 8 = 29-924 993-70/537
- 9 = 29-924 993-21/000
- 10 = 29-924 990-20/000
- 11 = 29-924 993-18/000
- 12 = 29-924 990-09/000
- 13 = 29-924 993-70/183
- 14 = 29-924 993-70/005
- 15 = 29-924 993-70/538
- 16 = 29-924 993-70/430
- 17 = 29-924 993-70/539
- 18 = 29-924 993-70/430

Motor / Anlasser / Einbauleuchte
Motor / foot control / built-in lamp
Moteur / Rhéostat à pédale / Lampe d'éclairage incorporée
Motor / Pedal de arranque / Lámpara incorporada
Motore / Reostato a pedale / Lampadina incorporata



- | | |
|--|--|
| <p>1 = 902-1002-023 (UL, CSA, 120V)
 902-1002-020 (VDE, 220V)
 902-1002-021 (SAA, 240V)
 902-1002-021 (BEAB, 240V)</p> <p>a = 92-326 873-05/000</p> <p>b = 12-315 110-25/000</p> <p>c = 11-190 174-25/000</p> <p>2 = 92-324 848-48/000</p> <p>3 = 92-326 871-05/000</p> <p>4 = 902-2300-913 (UL, CSA, 120V) electronic
 902-2300-911 (VDE, 220V) electronic
 902-2006-911 (VDE, 220V)
 902-2300-914 (SAA, 240V) electronic
 902-2300-916 (BEAB, 240V) electronic</p> | <p>5 = 902-3304-013 (UL, CSA, 120V)
 902-3304-001 (VDE, 220V, BEAB, 240V)
 902-3304-004 (VDE, 220V, BEAB, 240V)</p> <p>6 = 29-924 993-70/025</p> <p>7 = 29-924 993-70/020</p> <p>8 = 29-924 993-70/022</p> <p>9 = 29-924 993-70/266</p> <p>10 = 29-924 993-70/002</p> <p>11 = 29-924 993-70/483</p> <p>12 = 29-924 992-01/000</p> <p>13 = 70-251 652-01/001 (220V)
 70-251 651-71/000 (120V)</p> |
|--|--|

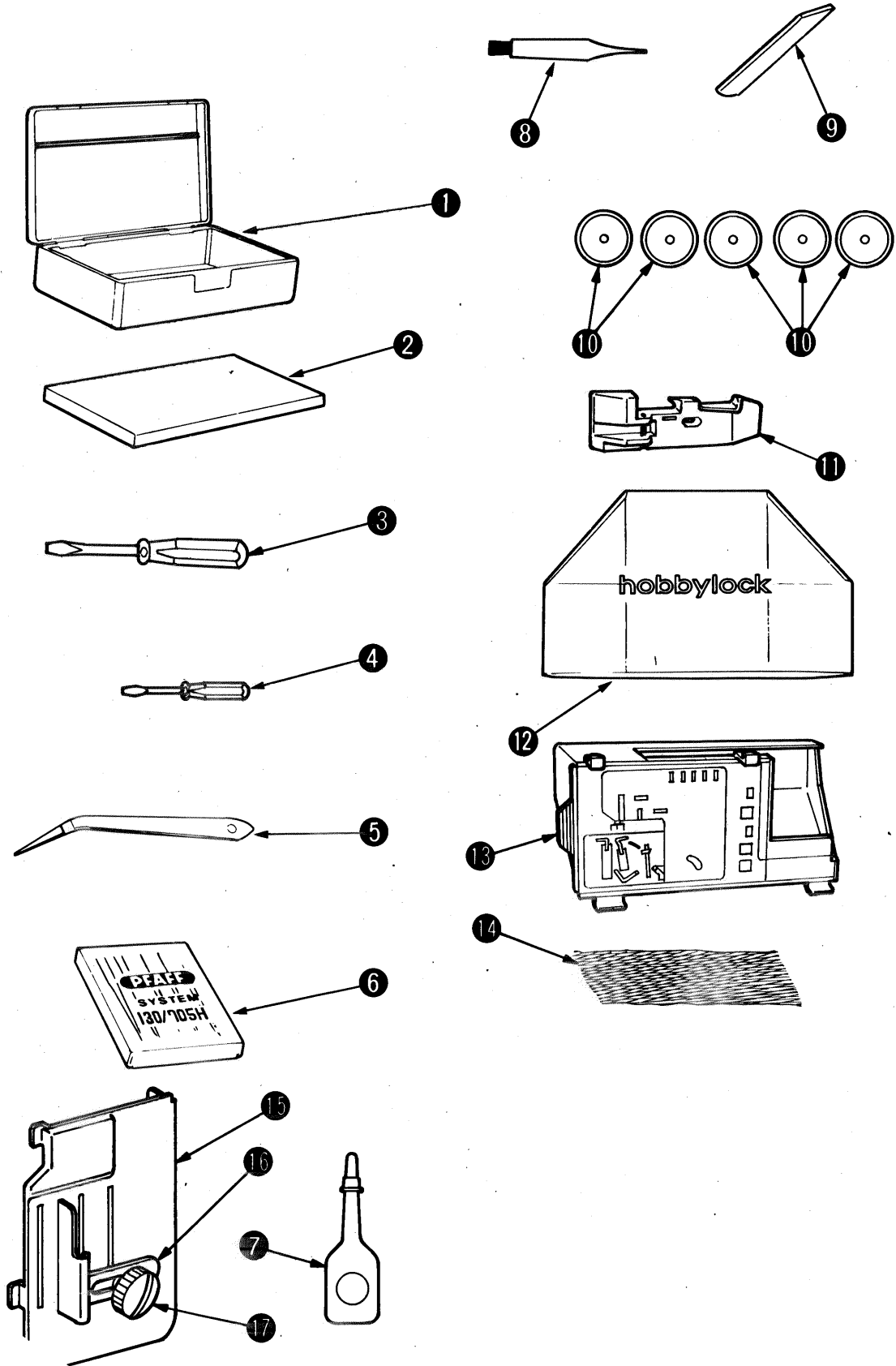
Garnrollenständer
Thread stand
Porte-bobines
Portacarretes
Porta-rocchetti



- 1 = 29-924 993-70/540
- 2 = 29-924 993-70/310
- 3 = 29-924 993-70/541
- 4 = 29-924 993-70/542
- 5 = 29-924 993-70/029
- 6 = 29-924 993-54/000
- 7 = 29-924 990-24/000

- 8 = 29-924 993-70/543
- 9 = 29-924 993-70/544
- 10 = 29-924 993-70/545
- 11 = 29-924 993-70/437
- 12 = 29-924 993-54/000
- 13 = 29-924 993-70/546

Zubehör
 Accessories
 Accessoires
 Accesorios
 Accessori

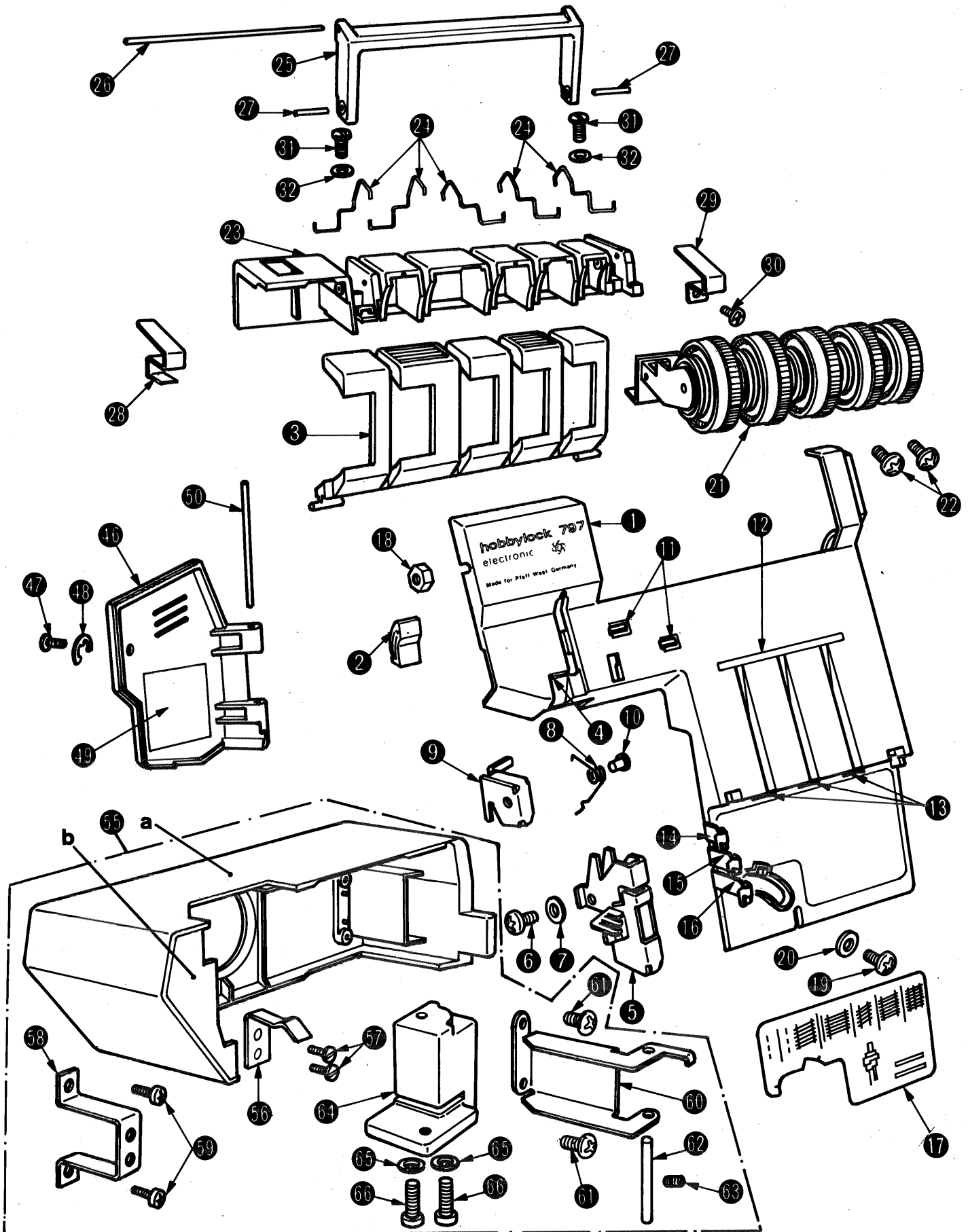


- 1 = 29-924 993-70/245
- 2 = 29-924 993-70/251
- 3 = 29-924 993-70/247
- 4 = 29-924 993-70/547
- 5 = 29-924 993-70/083
- 6 = 49-019 914-31/000

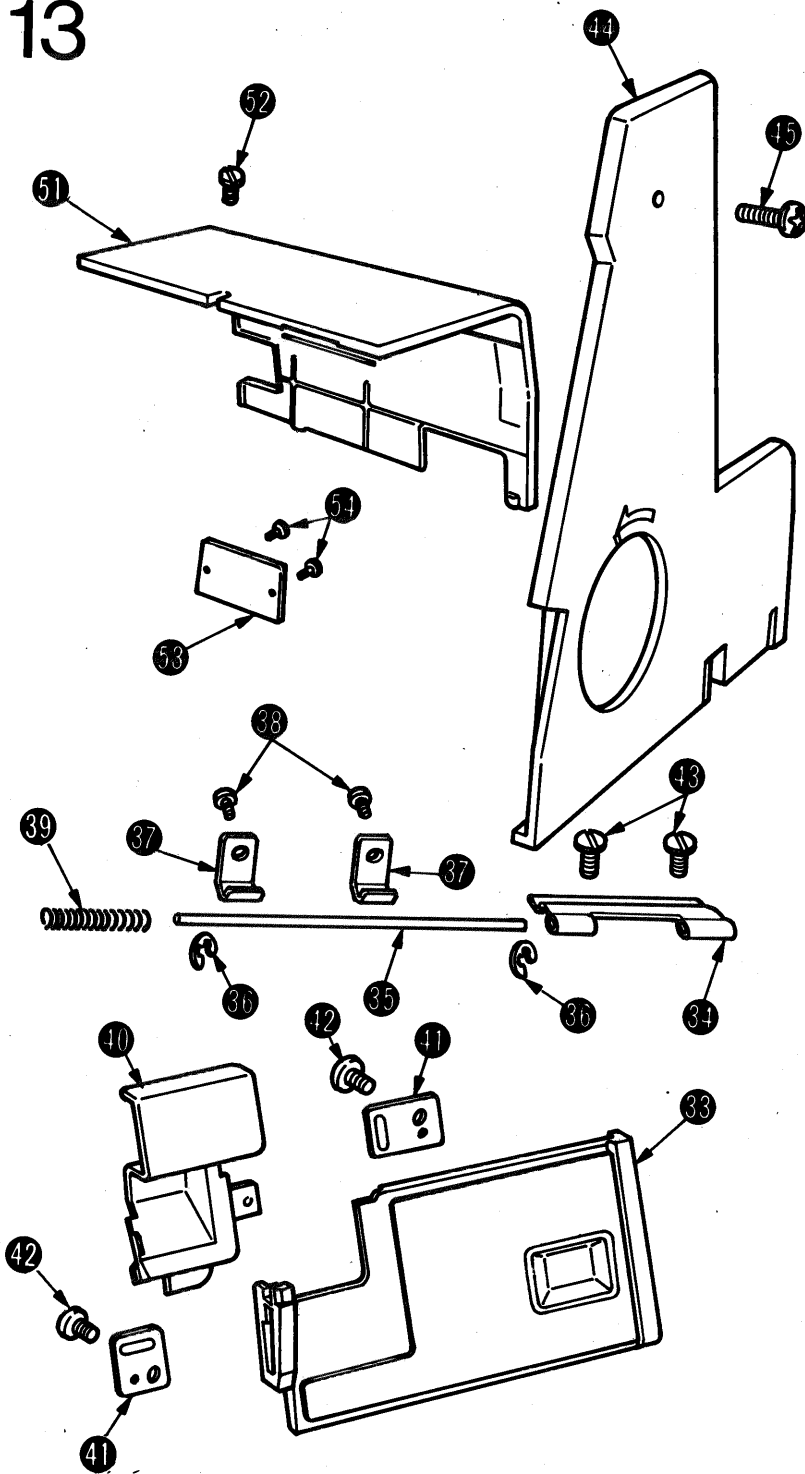
- 7 = 29-924 993-70/250
- 8 = 29-924 993-70/249
- 9 = 29-924 992-56/100
- 10 = 29-924 993-70/081
- 11 = 29-924 993-70/548
- 12 = 29-924 993-70/252

- 13 = 29-924 993-70/444
- 14 = 29-924 993-70/445
- 15 = 29-924 993-70/549
- 16 = 29-924 993-70/071
- 17 = 29-924 992-74/000

Gehäuse-Abdeckungen / Oberfadenspannung
Housing covers / top feed tension
Caches / Tension supérieure
Tapas de la carcasa / Tensión del hilo superior
Coperchi del carter / Tensione superiore



13



- 1 = 29-924 993-70/550
- 2 = 29-924 993-70/191
- 3 = 29-924 993-70/551
- 4 = 29-924 993-70/552
- 5 = 29-924 993-70/553
- 6 = 29-924 993-70/448
- 7 = 29-924 993-70/310
- 8 = 29-924 993-70/554
- 9 = 29-924 993-70/555
- 10 = 29-924 993-70/556
- 11 = 29-924 993-70/557
- 12 = 29-924 993-70/558

- 13 = 29-924 993-70/236
- 14 = 29-924 993-70/559
- 15 = 29-924 993-70/560
- 16 = 29-924 993-70/561
- 17 = 29-924 993-70/562
- 18 = 29-924 993-70/009
- 19 = 29-924 993-70/001
- 20 = 29-924 993-70/031
- 21 = 29-924 993-70/563
- 22 = 29-924 993-70/002
- 23 = 29-924 993-70/564
- 24 = 29-924 993-70/457

- 25 = 29-924 993-70/565
- 26 = 29-924 993-70/566
- 27 = 29-924 993-70/218
- 28 = 29-924 993-70/461
- 29 = 29-924 993-70/567
- 30 = 29-924 993-70/568
- 31 = 29-924 992-00/000
- 32 = 29-924 993-70/031
- 33 = 29-924 993-70/569
- 34 = 29-924 993-70/463
- 35 = 29-924 993-70/464
- 36 = 29-924 993-70/465
- 37 = 29-924 993-70/466
- 38 = 29-924 993-70/034
- 39 = 29-924 993-70/467
- 40 = 29-924 993-70/570
- 41 = 29-924 993-70/571
- 42 = 29-924 993-70/034
- 43 = 29-924 990-25/000
- 44 = 29-924 993-70/198
- 45 = 29-924 993-70/008
- 46 = 29-924 993-70/572
- 47 = 29-924 993-70/018
- 48 = 29-924 993-70/465
- 49 = 29-924 993-70/273
- 50 = 29-924 993-70/219
- 51 = 29-924 993-70/200
- 52 = 29-924 990-25/000
- 53 = 29-924 993-70/472
- 54 = 29-924 993-70/277
- 55 = 29 924 993-70/573
- a = 29-924 993-70/574
- b = 29-924 993-70/575
- 56 = 29-924 993-70/203
- 57 = 29-924 993-70/329
- 58 = 29-924 993-70/576
- 59 = 29-924 993-70/494
- 60 = 29-924 993-70/577
- 61 = 29-924 993-70/578
- 62 = 29-924 993-70/579
- 63 = 29-924 990-20/000
- 64 = 29-924 993-70/580
- 65 = 29-924 990-04/000
- 66 = 29-924 990-05/000