

PFAFF[®]

hobbylock 796

Bestandteile-Liste

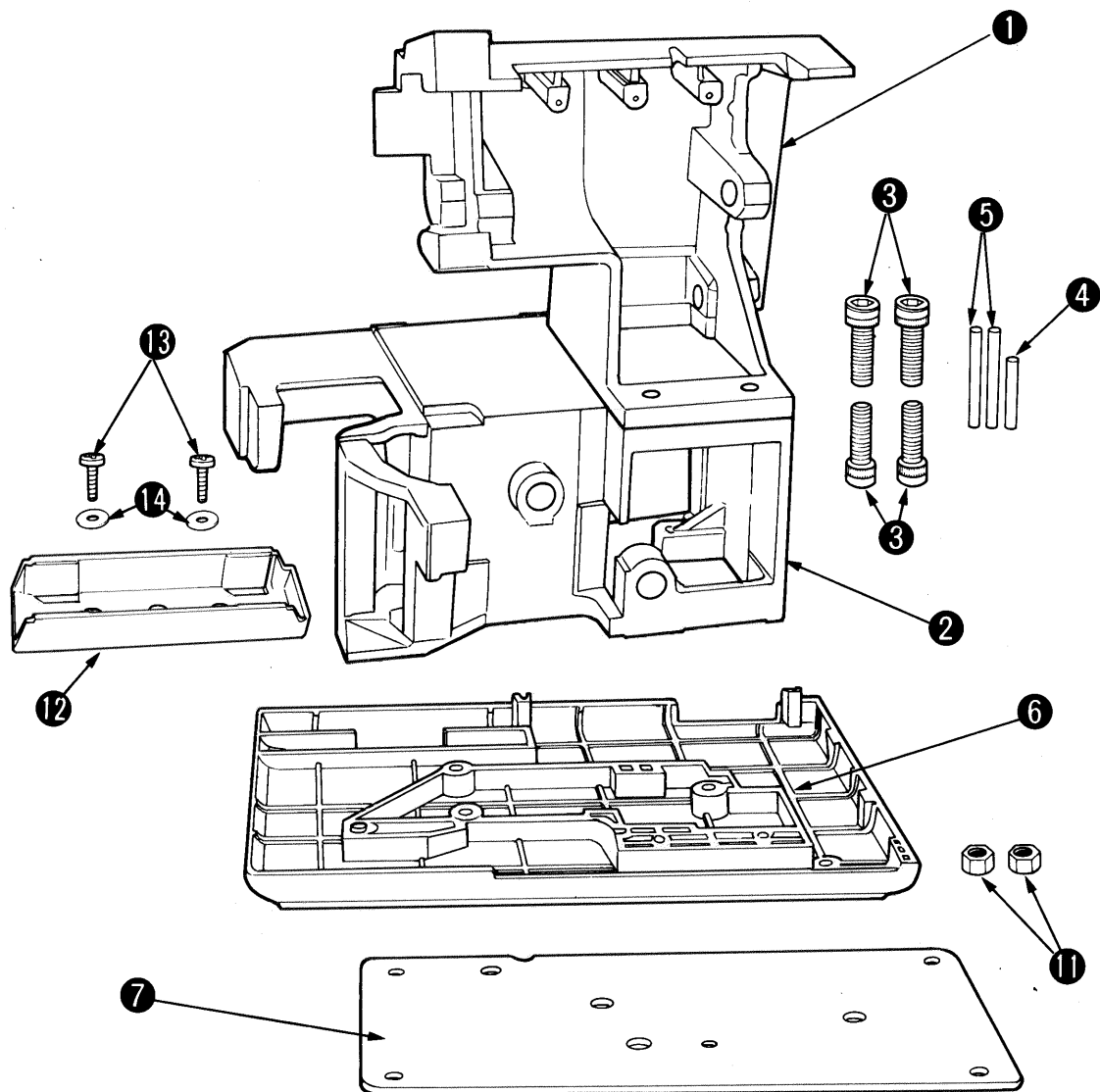
List of spare parts

Liste des pièces détachées

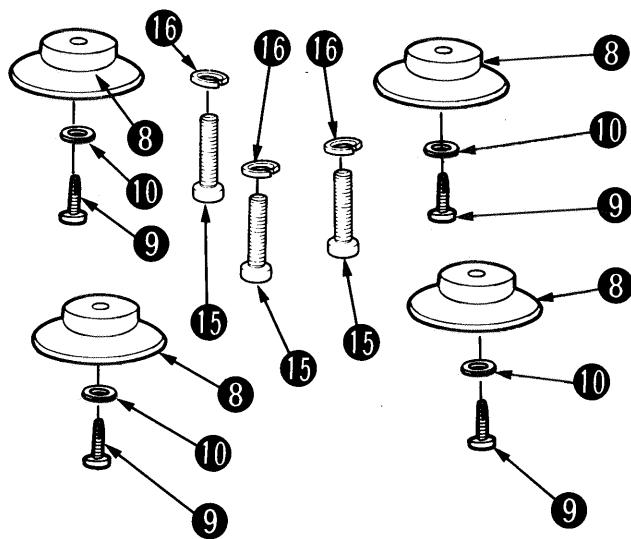
Catalogo pezzi staccati

Lista de piezas de repuesto

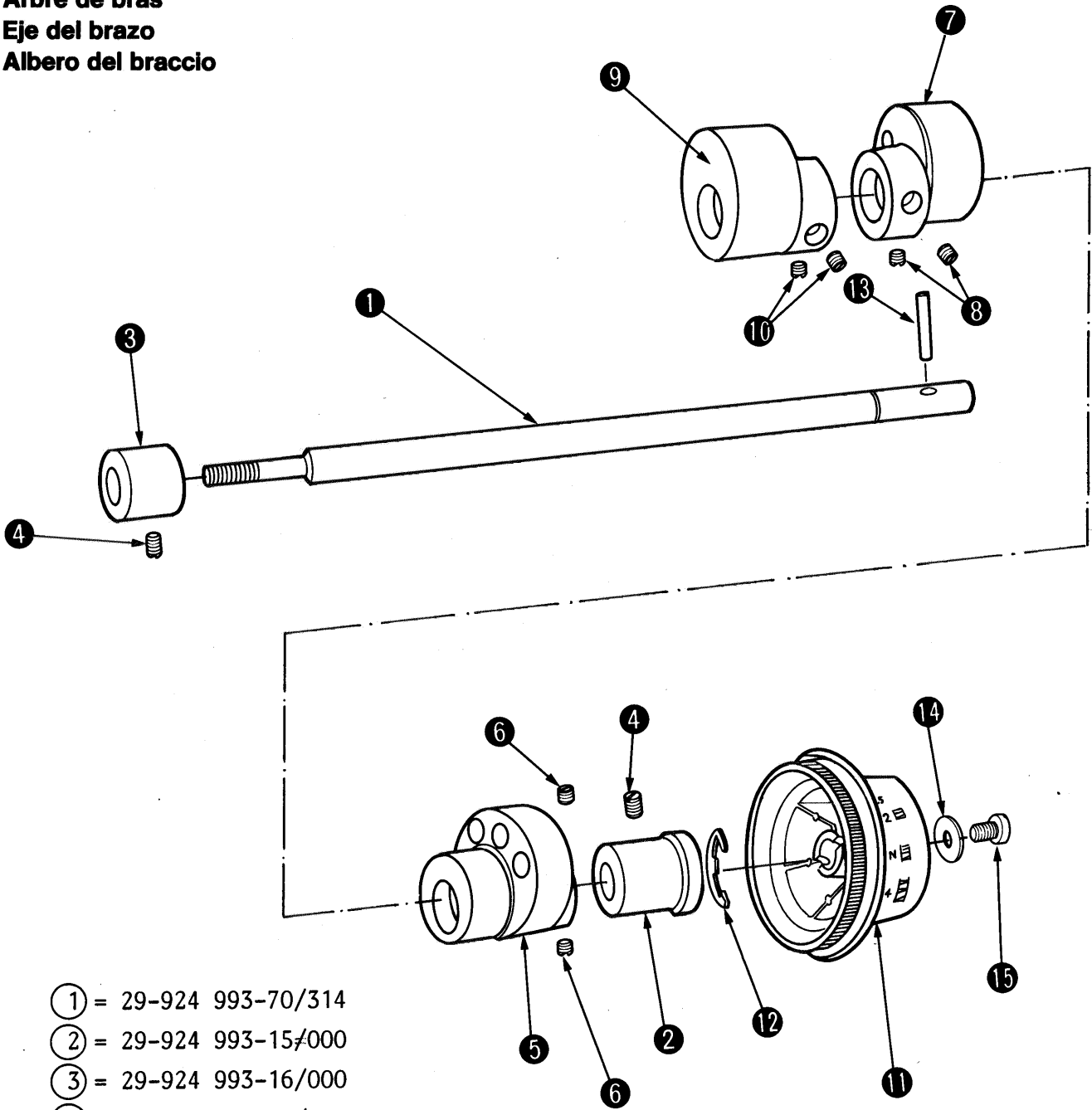
**Gehäuse
Housing
Carcasse
Carcasa
Carter**



- ① = 29-924 993-70/085
- ② = 29-924 993-70/307
- ③ = 29-924 993-70/308
- ④ = 29-924 993-70/086
- ⑤ = 29-924 993-70/309
- ⑥ = 29-924 993-70/087
- ⑦ = 29-924 993-70/088
- ⑧ = 29-924 993-70/089
- ⑨ = 29-924 993-70/090
- ⑩ = 29-924 993-70/310
- ⑪ = 29-924 993-70/311
- ⑫ = 29-924 993-70/246
- ⑬ = 29-924 993-70/090
- ⑭ = 29-924 993-70/310
- ⑮ = 29-924 993-70/312
- ⑯ = 29-924 993-70/313



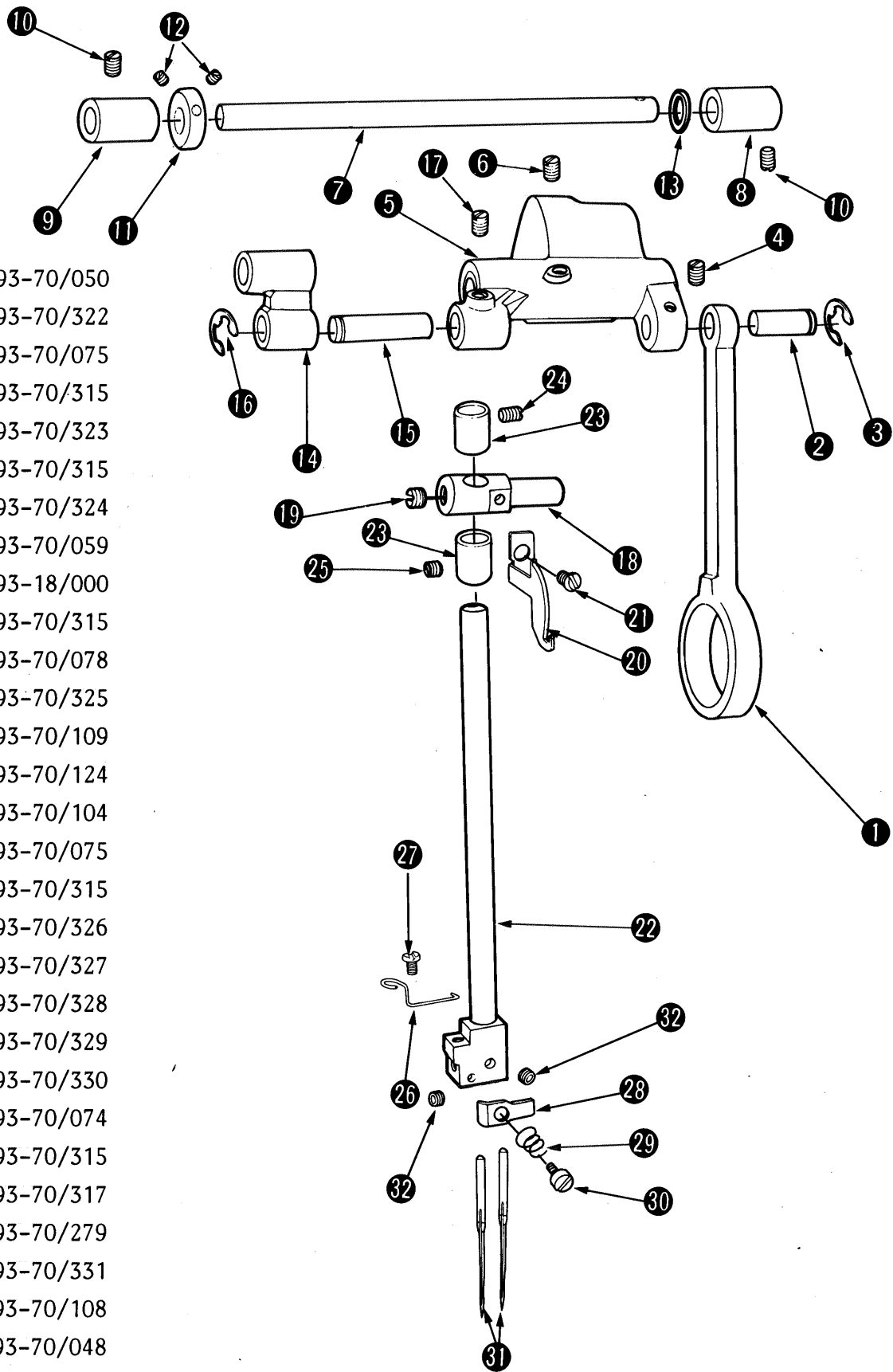
Armuelle
Arm shaft
Arbre de bras
Eje del brazo
Albero del braccio



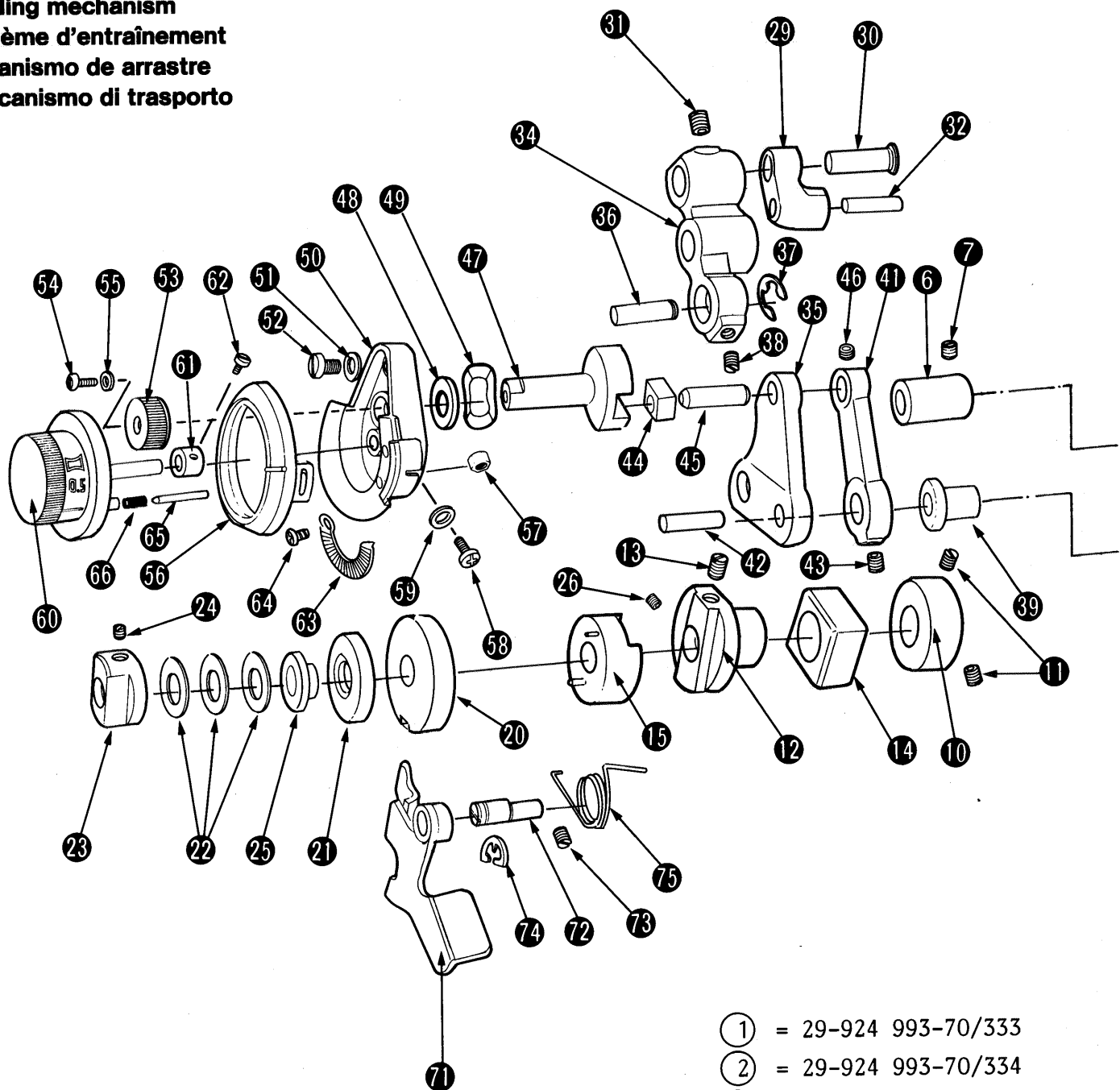
- ① = 29-924 993-70/314
- ② = 29-924 993-15/000
- ③ = 29-924 993-16/000
- ④ = 29-924 993-70/315
- ⑤ = 29-924 993-70/316
- ⑥ = 29-924 993-70/317
- ⑦ = 29-924 993-70/318
- ⑧ = 29-924 993-70/317
- ⑨ = 29-924 993-70/039
- ⑩ = 29-924 993-70/317
- ⑪ = 29-924 993-70/319
- ⑫ = 29-924 993-70/042
- ⑬ = 29-924 993-70/049
- ⑭ = 29-924 993-70/320
- ⑮ = 29-924 993-70/321

Nadelstange mit Antrieb
Needle bar with drive
Barre à aiguille avec commande
Barra de aguja con accionamiento
Barra d'ago con comando

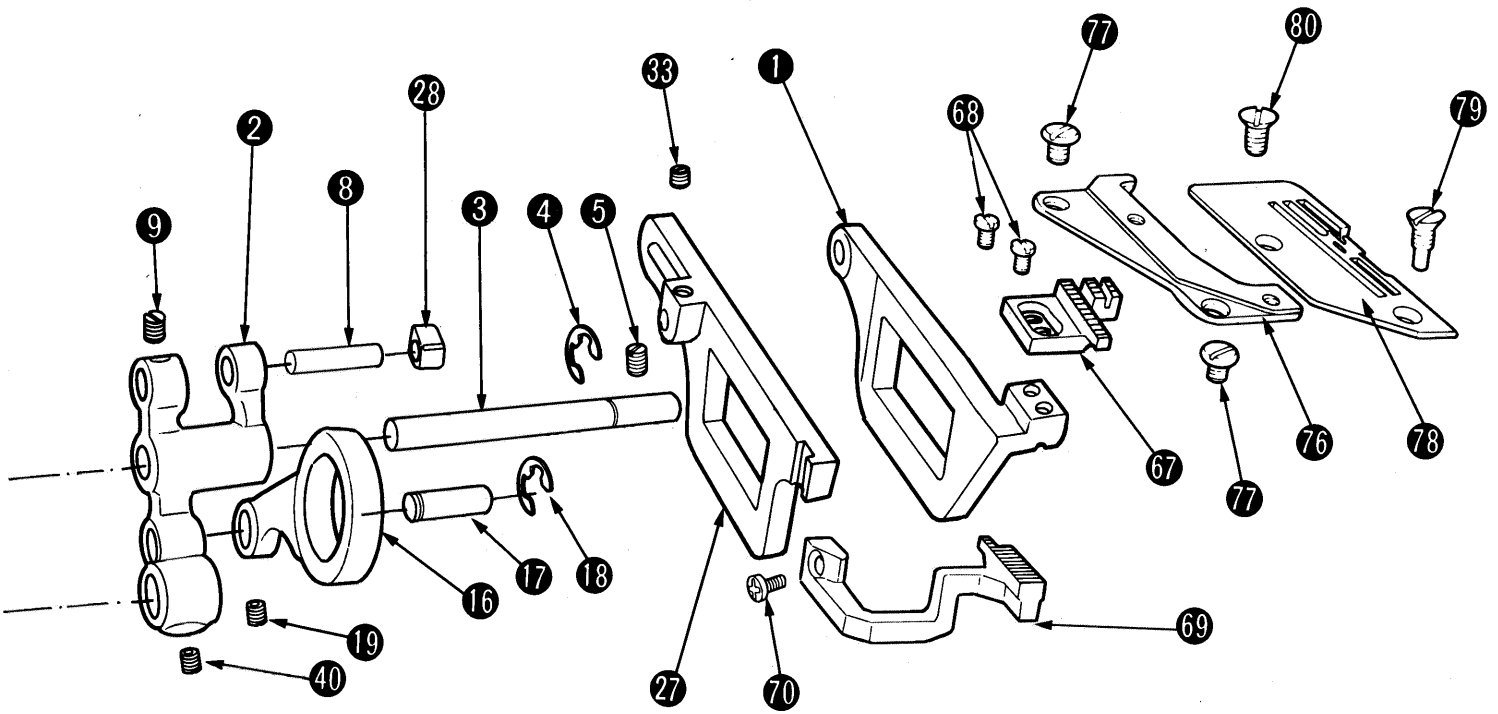
- ① = 29-924 993-70/050
- ② = 29-924 993-70/322
- ③ = 29-924 993-70/075
- ④ = 29-924 993-70/315
- ⑤ = 29-924 993-70/323
- ⑥ = 29-924 993-70/315
- ⑦ = 29-924 993-70/324
- ⑧ = 29-924 993-70/059
- ⑨ = 29-924 993-18/000
- ⑩ = 29-924 993-70/315
- ⑪ = 29-924 993-70/078
- ⑫ = 29-924 993-70/325
- ⑬ = 29-924 993-70/109
- ⑭ = 29-924 993-70/124
- ⑮ = 29-924 993-70/104
- ⑯ = 29-924 993-70/075
- ⑰ = 29-924 993-70/315
- ⑱ = 29-924 993-70/326
- ⑲ = 29-924 993-70/327
- ⑳ = 29-924 993-70/328
- ㉑ = 29-924 993-70/329
- ㉒ = 29-924 993-70/330
- ㉓ = 29-924 993-70/074
- ㉔ = 29-924 993-70/315
- ㉕ = 29-924 993-70/317
- ㉖ = 29-924 993-70/279
- ㉗ = 29-924 993-70/331
- ㉘ = 29-924 993-70/108
- ㉙ = 29-924 993-70/048
- ㉚ = 29-924 993-70/049
- ㉛ = 49-062 985-31/000
- ㉜ = 29-924 993-70/332



Transport-Einrichtung
Feeding mechanism
Système d'entraînement
Mecanismo de arrastre
Meccanismo di trasporto

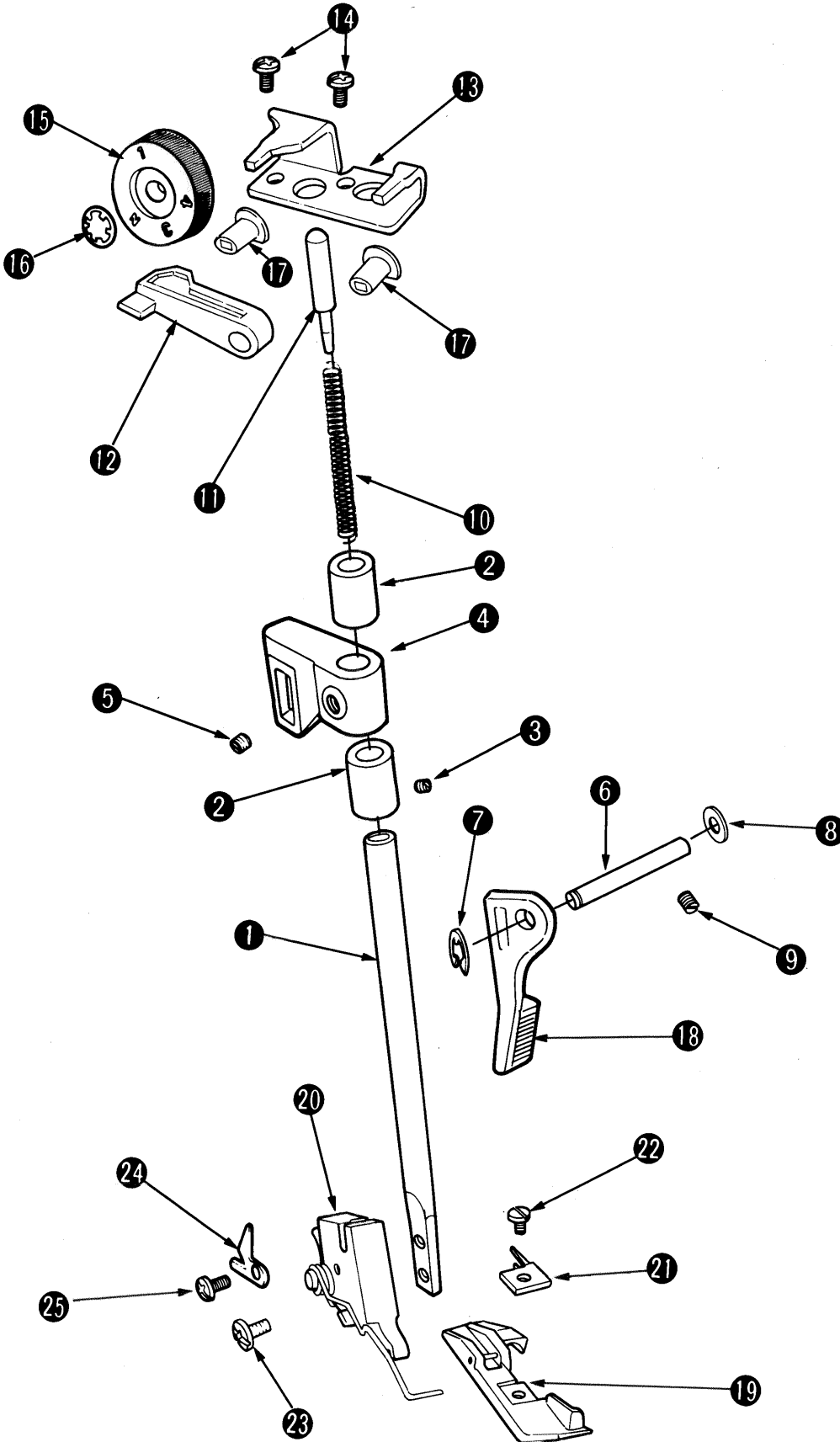


- ① = 29-924 993-70/333
- ② = 29-924 993-70/334
- ③ = 29-924 993-70/055
- ④ = 29-924 993-70/075
- ⑤ = 29-924 993-70/315
- ⑥ = 29-924 993-31/000
- ⑦ = 29-924 993-70/317
- ⑧ = 29-924 993-70/335
- ⑨ = 29-924 993-70/336
- ⑩ = 29-924 993-70/337
- ⑪ = 29-924 993-70/338
- ⑫ = 29-924 993-70/339
- ⑬ = 29-924 993-70/315
- ⑭ = 29-924 993-70/340
- ⑮ = 29-924 993-70/341
- ⑯ = 29-924 993-70/342



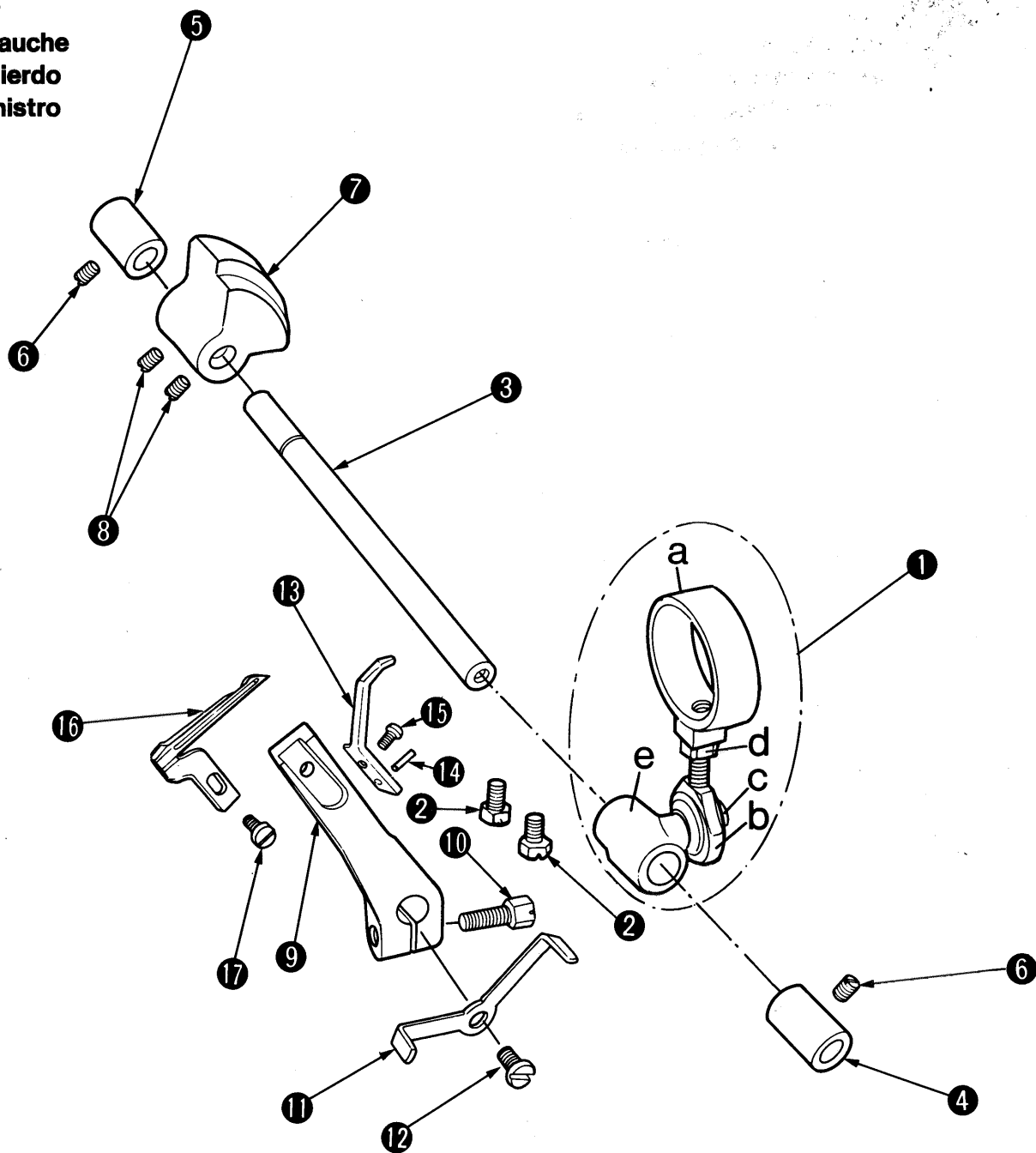
- | | | |
|--------------------------|--------------------------|--------------------------|
| (17) = 29-924 993-70/343 | (33) = 29-924 993-70/325 | (57) = 29-924 993-70/369 |
| (18) = 29-924 993-70/075 | (34) = 29-924 993-70/353 | (58) = 29-924 993-70/370 |
| (19) = 29-924 993-70/338 | (35) = 29-924 993-70/354 | (59) = 29-924 993-70/364 |
| (20) = 29-924 993-70/344 | (36) = 29-924 993-70/343 | (60) = 29-924 993-70/371 |
| (21) = 29-924 993-70/345 | (37) = 29-924 993-70/075 | (61) = 29-924 993-70/126 |
| (22) = 29-924 993-70/346 | (38) = 29-924 993-70/338 | (62) = 29-924 993-70/331 |
| (23) = 29-924 993-70/347 | (39) = 29-924 993-70/355 | (63) = 29-924 993-70/372 |
| (24) = 29-924 993-70/325 | (40) = 29-924 993-70/338 | (64) = 29-924 993-70/373 |
| (25) = 29-924 993-70/348 | (41) = 29-924 993-70/356 | (65) = 29-924 993-70/374 |
| (26) = 29-924 993-70/349 | (42) = 29-924 993-70/357 | (66) = 29-924 993-70/375 |
| (27) = 29-924 993-70/350 | (43) = 29-924 993-70/338 | (67) = 29-924 993-70/376 |
| (28) = 29-924 993-70/285 | (44) = 29-924 993-70/358 | (68) = 29-924 993-70/329 |
| (29) = 29-924 993-70/351 | (45) = 29-924 993-70/359 | (69) = 29-924 993-70/377 |
| (30) = 29-924 993-70/352 | (46) = 29-924 993-70/332 | (70) = 29-924 993-70/378 |
| (31) = 29-924 993-70/336 | (47) = 29-924 993-70/360 | (71) = 29-924 993-70/379 |
| (32) = 29-924 993-70/335 | (48) = 29-924 993-70/361 | (72) = 29-924 993-70/380 |
| | (49) = 29-924 993-70/362 | (73) = 29-924 993-70/338 |
| | (50) = 29-924 993-70/363 | (74) = 29-924 993-70/066 |
| | (51) = 29-924 993-70/364 | (75) = 29-924 993-70/381 |
| | (52) = 29-924 993-70/365 | (76) = 29-924 993-70/129 |
| | (53) = 29-924 993-70/122 | (77) = 29-924 993-70/382 |
| | (54) = 29-924 993-70/366 | (78) = 29-924 993-70/298 |
| | (55) = 29-924 993-70/367 | (79) = 29-924 993-70/383 |
| | (56) = 29-924 993-70/368 | (80) = 29-924 993-70/384 |

Stoffdrückerstange mit Nähfuß
Presser bar with presser foot
Barre presse-tissu avec pied
Barra del prensatelas con prensatelas
Barra premistoffa con piedino



- ① = 29-924 993-70/399
- ② = 29-924 993-31/000
- ③ = 29-924 993-70/325
- ④ = 29-924 993-70/400
- ⑤ = 29-924 993-70/317
- ⑥ = 29-924 993-70/401
- ⑦ = 29-924 993-70/402
- ⑧ = 29-924 993-70/310
- ⑨ = 29-924 993-70/403
- ⑩ = 29-924 993-70/404
- ⑪ = 29-924 993-70/405
- ⑫ = 29-924 993-70/406
- ⑬ = 29-924 993-70/407
- ⑭ = 29-924 993-70/392
- ⑮ = 29-924 993-70/408
- ⑯ = 29-924 993-70/159
- ⑰ = 29-924 993-70/158
- ⑱ = 29-924 993-70/409
- ⑲ = 29-924 993-70/173
- ⑳ = 29-924 993-70/172
- ㉑ = 29-924 993-70/297
- ㉒ = 29-924 993-70/331
- ㉓ = 29-924 993-70/410
- ㉔ = 29-924 993-70/168
- ㉕ = 29-924 993-70/392
- ㉖ = 29-924 993-70/167

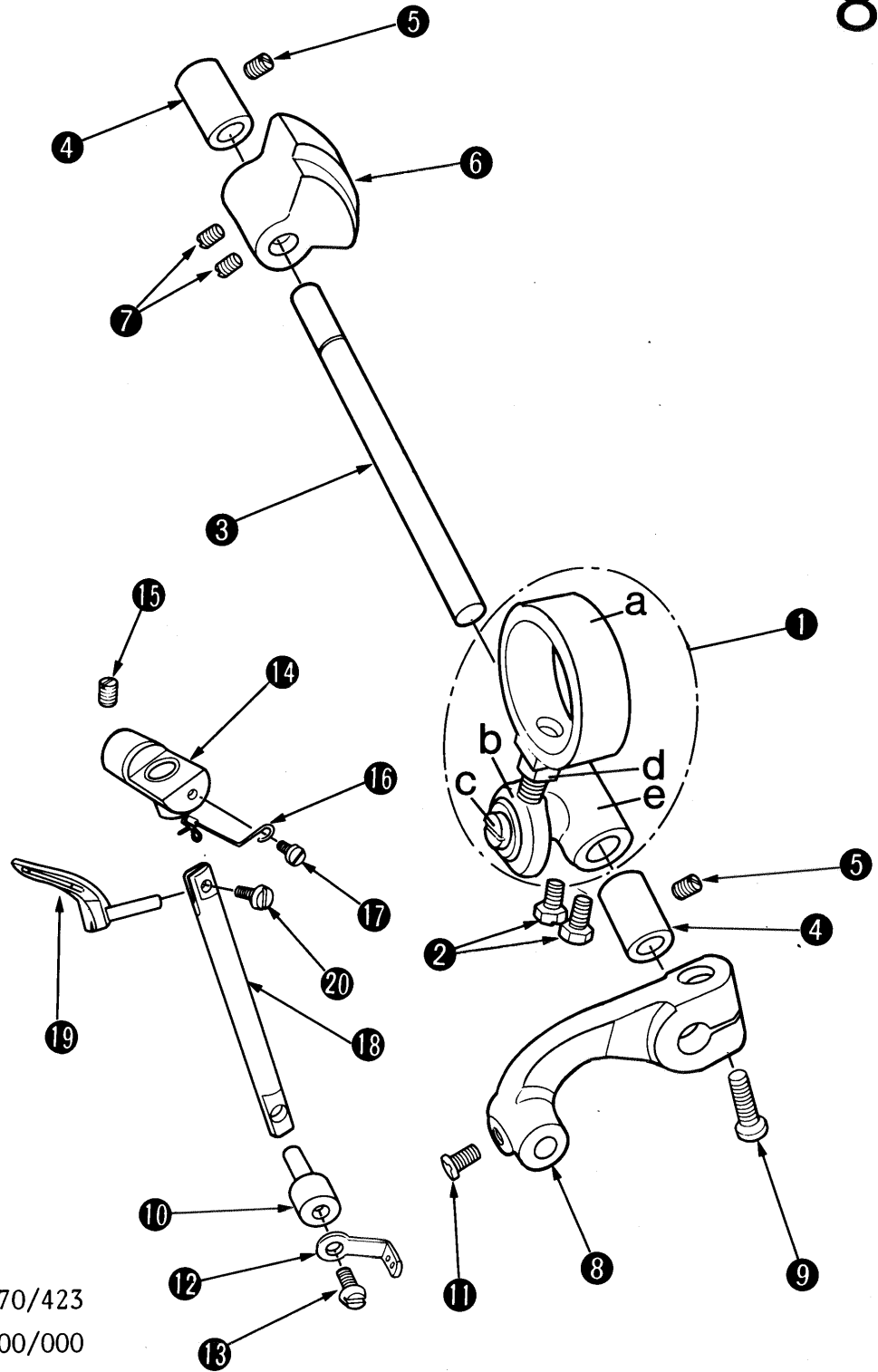
Linker Greifer
Left lopper
Boucleur gauche
Garfio izquierdo
Crochet sinistro



- ① = 29-924 993-70/411
- a = 29-924 993-00/000
- b = 29-924 993-70/412
- c = 29-924 992-96/000
- d = 29-924 992-95/000
- e = 29-924 992-98/000
- ② = 29-924 993-70/413
- ③ = 29-924 993-70/414
- ④ = 29-924 992-86/000
- ⑤ = 29-924 993-18/000
- ⑥ = 29-924 993-70/315
- ⑦ = 29-924 993-70/415

- ⑧ = 29-924 993-70/315
- ⑨ = 29-924 993-70/416
- ⑩ = 29-924 993-70/417
- ⑪ = 29-924 993-70/418
- ⑫ = 29-924 993-70/419
- ⑬ = 29-924 993-70/420
- ⑭ = 29-924 993-70/421
- ⑮ = 29-924 993-70/329
- ⑯ = 29-924 993-70/422
- ⑰ = 29-924 993-70/410

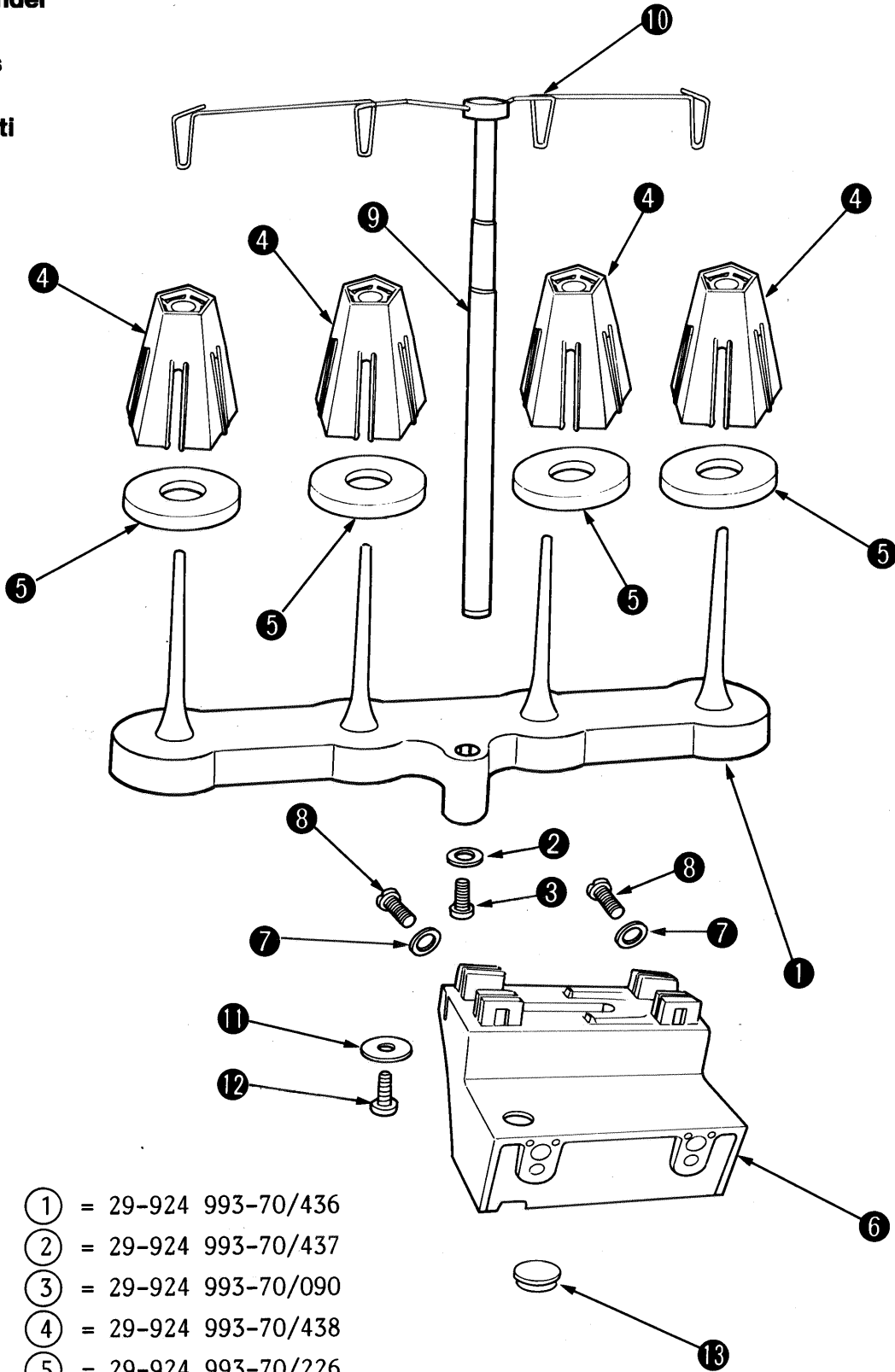
Rechter Greifer
Right looper
Boucleur droit
Garfio derecho
Crochet destro



- ① = 29-924 993-70/423
- a = 29-924 993-00/000
- b = 29-924 993-70/424
- c = 29-924 992-96/000
- d = 29-924 992-95/000
- e = 29-924 992-98/000
- ② = 29-924 993-70/413
- ③ = 29-924 993-70/425
- ④ = 29-924 993-70/426
- ⑤ = 29-924 993-70/315
- ⑥ = 29-924 993-70/415
- ⑦ = 29-924 993-70/317
- ⑧ = 29-924 993-70/427
- ⑨ = 29-924 993-70/428

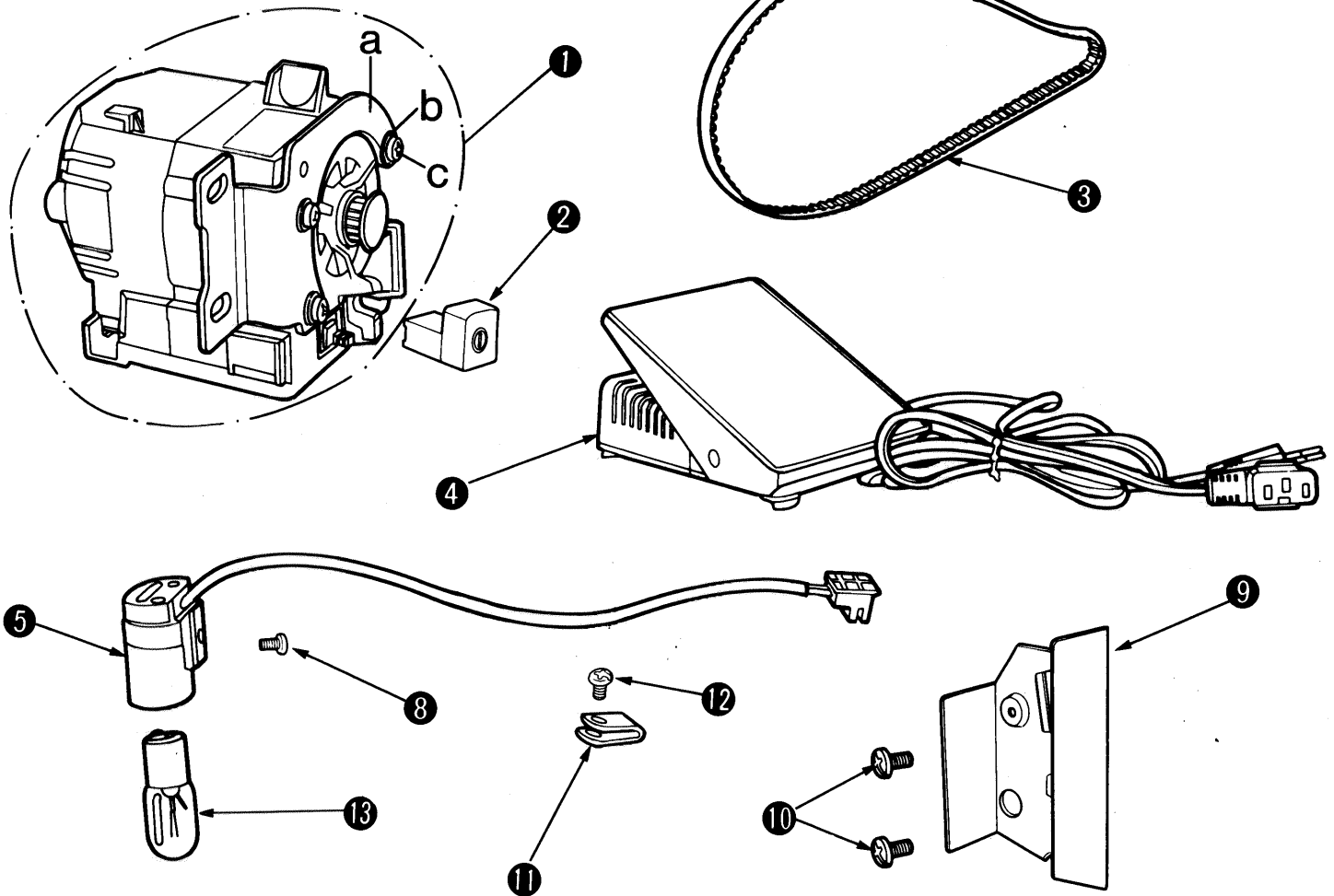
- ⑩ = 29-924 993-70/429
- ⑪ = 29-924 993-70/430
- ⑫ = 29-924 993-70/431
- ⑬ = 29-924 993-70/432
- ⑭ = 29-924 993-70/433
- ⑮ = 29-924 993-70/315
- ⑯ = 29-924 993-70/434
- ⑰ = 29-924 993-70/329
- ⑱ = 29-924 993-70/181
- ⑳ = 29-924 993-70/419

Garnrollenständer
 Thread stand
 Porte-bobines
 Portacarretes
 Porta-rocchetti



- ① = 29-924 993-70/436
- ② = 29-924 993-70/437
- ③ = 29-924 993-70/090
- ④ = 29-924 993-70/438
- ⑤ = 29-924 993-70/226
- ⑥ = 29-924 993-70/439
- ⑦ = 29-924 993-70/440
- ⑧ = 29-924 993-70/365
- ⑨ = 29-924 993-70/441
- ⑩ = 29-924 993-70/070
- ⑪ = 29-924 993-70/310
- ⑫ = 29-924 993-70/442
- ⑬ = 29-924 993-70/385

Motor / Anlasser / Einbauleuchte
Motor / foot control / built-in lamp
Moteur / Rhéostat à pédale / Lampe d'éclairage incorporée
Motor / Pedal de arranque / Lámpara incorporada
Motore / Reostato a pedale / Lampadina incorporata



- ① = 902-1002-013 * (UL, CSA, 120 V)
- 902-1002-023 ** (UL, CSA, 120 V)
- 902-1002-010 * (VDE, 220 V)
- 902-1002-020 ** (VDE, 220 V)
- 902-1002-011 * (SAA, 240 V)
- 902-1002-021 ** (SAA, 240 V)
- 902-1002-011 * (BEAB, 240 V)
- 902-1002-021 ** (BEAB, 240 V)

a = 92-326 873-05/000

b = 12-315 110-25/000

c = 11-190 174-25/000

- ② = 92-324 848-55/000 *
- 92-324 848-48/000 **

- ③ = 92-326 871-05/000

- ④ = 902-2300-903 * (UL, CSA, 120V) electronic
- 902-2300-913 ** (UL, CSA, 120V) electronic
- 902-2300-907 * (VDE, 220 V) electronic
- 902-2300-911 ** (VDE, 220 V) electronic
- 902-2006-901 * (VDE, 220 V)
- 902-2006-911 ** (VDE, 220 V)
- 902-2300-904 * (SAA, 240 V) electronic
- 902-2300-914 ** (SAA, 240 V) electronic
- 902-2300-906 * (BEAB, 240 V) electronic
- 902-2300-916 ** (BEAB, 240 V) electronic

- ⑤ = 902-3304-003 * (UL, CSA, 120 V)
- 902-3304-013 **
- 902-3304-001 (VDE, 220V, BEAB, 240V)
- 902-3304-004 (VDE, 220V, BEAB, 240V)

- ⑥ = 29-924 993-70/025

- ⑦ = 29-924 993-70/020

- ⑧ = 29-924 993-70/022

- ⑨ = 29-924 993-70/266

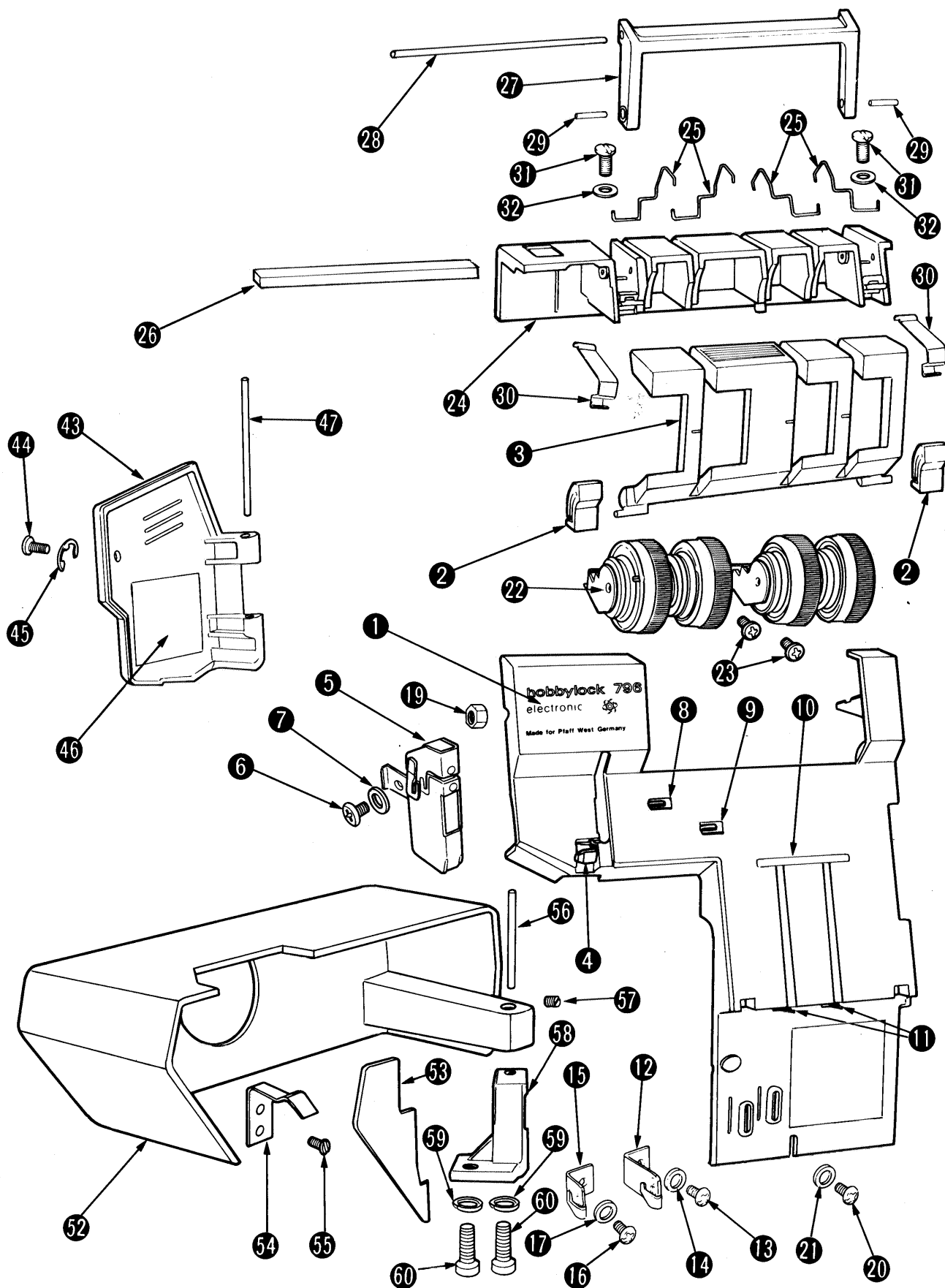
- ⑩ = 29-924 993-70/002

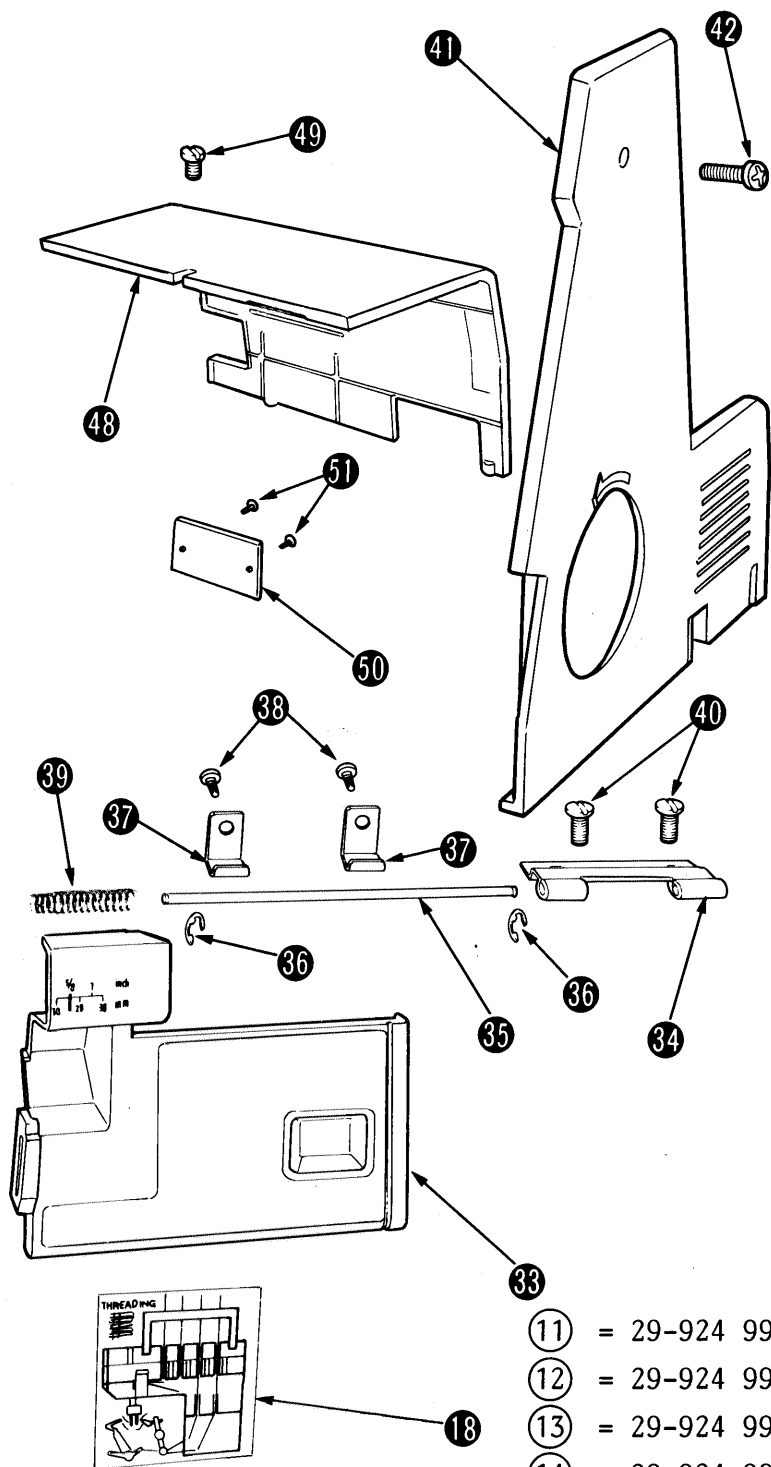
- ⑪ = 29-924 993-70/483

- ⑫ = 29-924 993-70/484

- ⑬ = 70-251 652-01/001 (220 V)
- 70-251 651-71/000 (120 V)

Gehäuse-Abdeckungen / Oberfadenspannung
 Housing covers / top feed tension
 Caches / Tension supérieure
 Tapas de la carcasa / Tensión del hilo superior
 Coperchi del carter / Tensione superiore



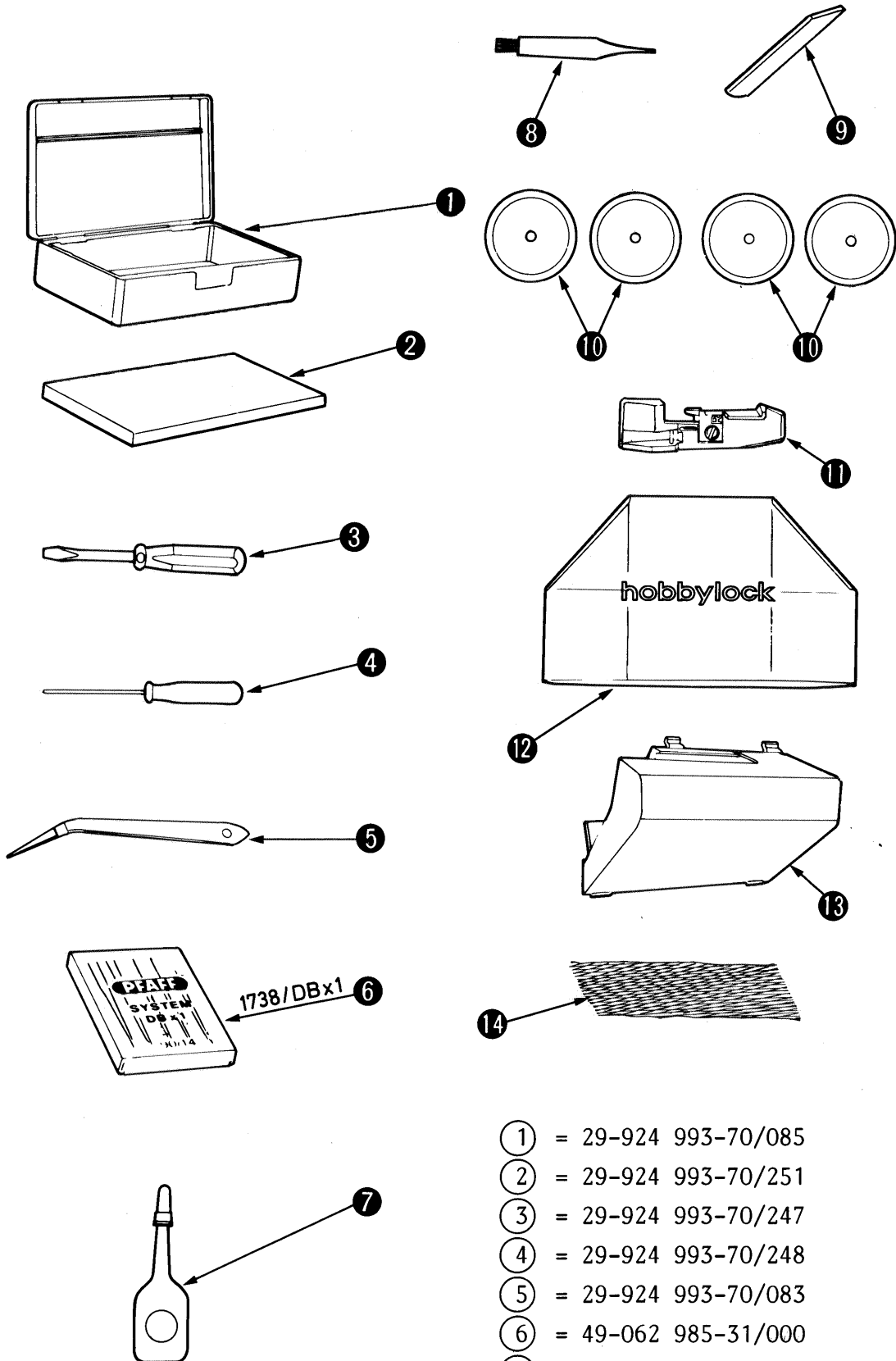


- ① = 29-924 993-70/306 *
29-924 993-70/480 **
- ② = 29-924 993-70/191
- ③ = 29-924 993-70/194 *
29-924 993-70/479 **
- ④ = 29-924 993-70/446
- ⑤ = 29-924 993-70/447
- ⑥ = 29-924 993-70/448
- ⑦ = 29-924 993-70/310
- ⑧ = 29-924 993-70/230
- ⑨ = 29-924 993-70/449
- ⑩ = 29-924 993-70/237

- ⑪ = 29-924 993-70/236
- ⑫ = 29-924 993-70/450
- ⑬ = 29-924 993-70/410
- ⑭ = 29-924 993-70/364
- ⑮ = 29-924 993-70/451
- ⑯ = 29-924 993-70/410
- ⑰ = 29-924 993-70/364
- ⑱ = 29-924 993-70/452
- ⑲ = 29-924 993-70/453
- ⑳ = 29-924 993-70/410
- ㉑ = 29-924 993-70/364
- ㉒ = 29-924 993-70/454 *
29-924 993-70/481 **
- ㉓ = 29-924 993-70/455
- ㉔ = 29-924 993-70/456 *
29-924 993-70/478 **

- ⑳ = 29-924 993-70/457
- ㉑ = 29-924 993-70/458
- ㉒ = 29-924 993-70/459 *
29-924 993-70/477 **
- ㉓ = 29-924 993-70/460
- ㉔ = 29-924 993-70/443
- ㉕ = 29-924 993-70/461
- ㉖ = 29-924 993-70/462
- ㉗ = 29-924 993-70/364
- ㉘ = 29-924 993-70/206 *
29-924 993-70/482 **
- ㉙ = 29-924 993-70/463
- ㉚ = 29-924 993-70/464
- ㉛ = 29-924 993-70/465
- ㉜ = 29-924 993-70/466
- ㉝ = 29-924 993-70/373
- ㉞ = 29-924 993-70/467
- ㉟ = 29-924 993-70/365
- ㊱ = 29-924 993-70/198
- ㊲ = 29-924 993-70/468
- ㊳ = 29-924 993-70/469
- ㊴ = 29-924 993-70/470
- ㊵ = 29-924 993-70/465
- ㊶ = 29-924 993-70/471
- ㊷ = 29-924 993-70/219
- ㊸ = 29-924 993-70/200
- ㊹ = 29-924 993-70/365
- ㊺ = 29-924 993-70/472
- ㊻ = 29-924 993-70/473
- ㊼ = 29-924 993-70/201
- ㊽ = 29-924 993-70/202
- ㊾ = 29-924 993-70/203
- ㊿ = 29-924 993-70/205
- ① = 29-924 993-70/474
- ② = 29-924 993-70/338
- ③ = 29-924 993-70/204
- ④ = 29-924 993-70/313
- ⑤ = 29-924 993-70/475

Zubehör
 Accessories
 Accessoires
 Accesorios
 Accessori



- ① = 29-924 993-70/085
- ② = 29-924 993-70/251
- ③ = 29-924 993-70/247
- ④ = 29-924 993-70/248
- ⑤ = 29-924 993-70/083
- ⑥ = 49-062 985-31/000
- ⑦ = 29-924 993-70/250
- ⑧ = 29-924 993-70/249
- ⑨ = 29-924 992-56/100
- ⑩ = 29-924 993-70/081
- ⑪ = 29-924 993-70/476
- ⑫ = 29-924 993-70/252
- ⑬ = 29-924 993-70/444
- ⑭ = 29-924 993-70/445