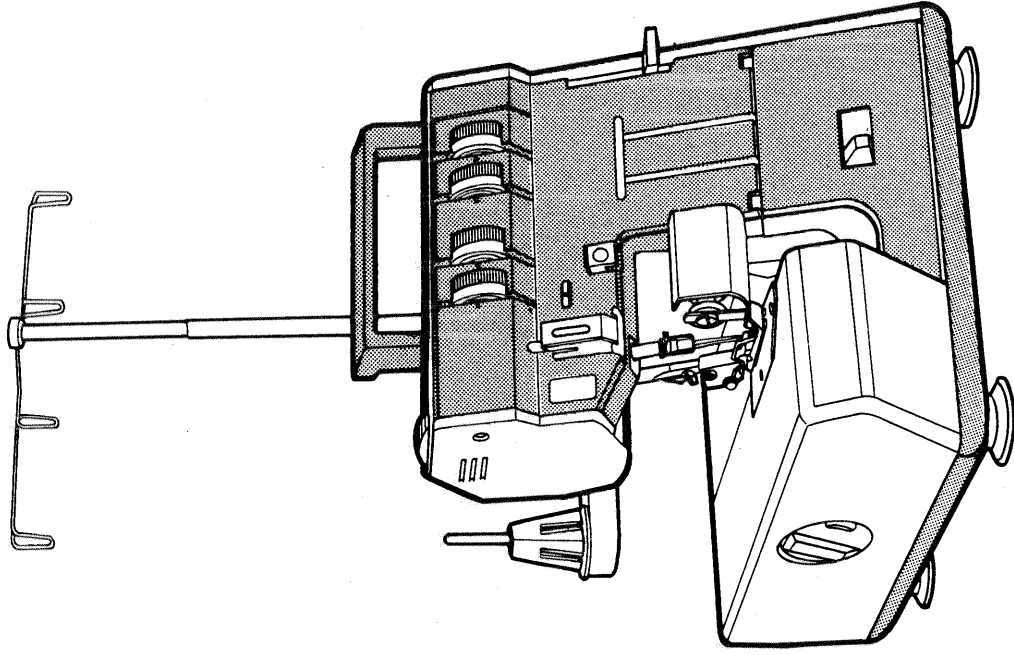


hobbylock 795



Bestandteile - Liste

List of spare parts

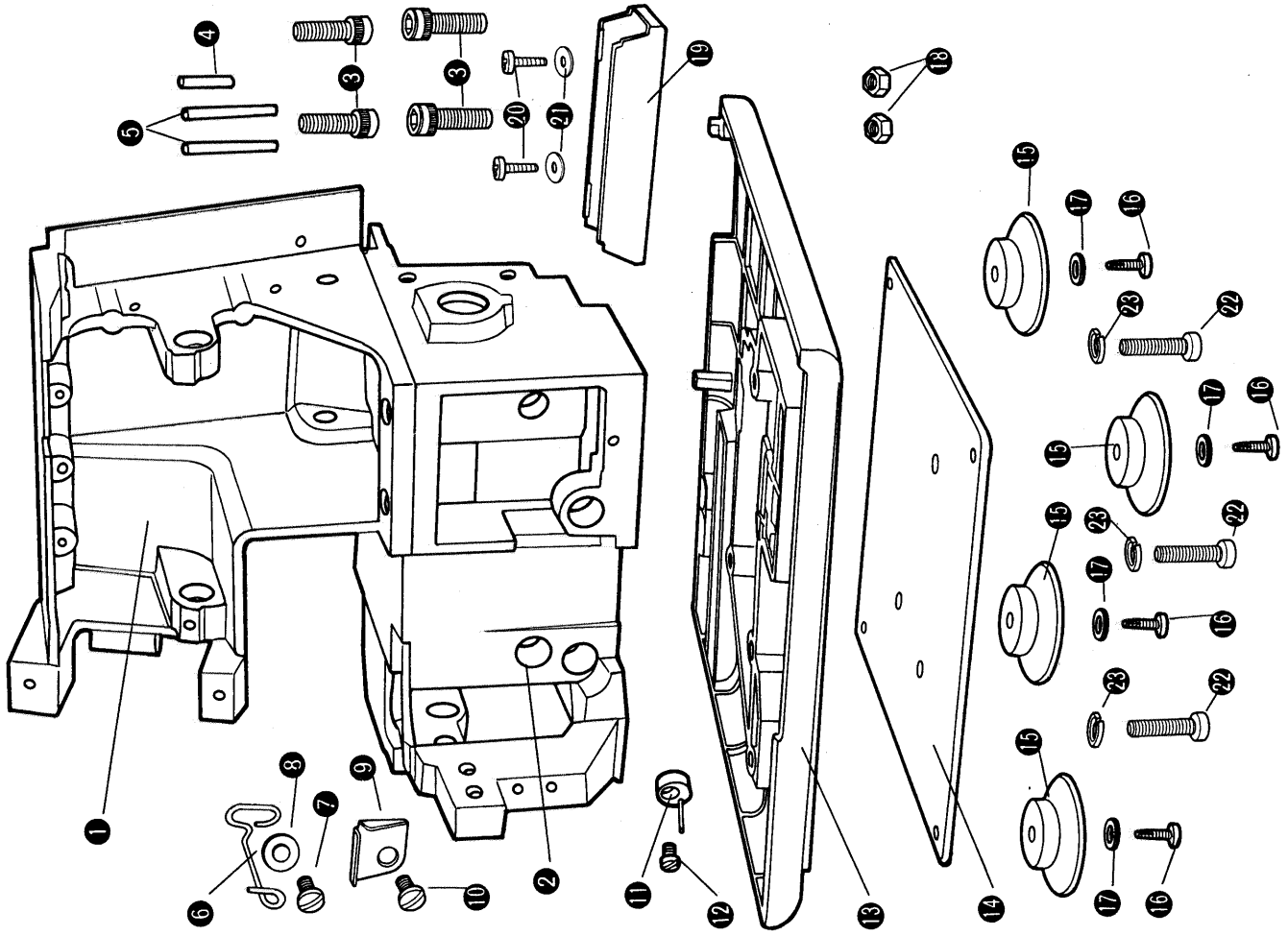
Liste des pièces détachées

Catalogo pezzi staccati

Lista de piezas de repuesto

**PFaff HANDELSGESELLSCHAFT FÜR HAUSHALTNÄHMASCHINEN M. B. H.
KARLSRUHE-DURLACH**

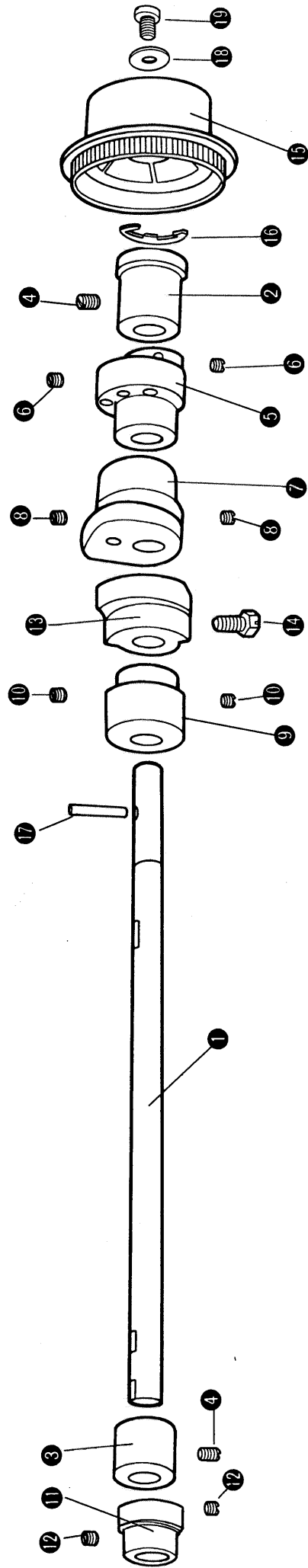
Gehäuse
Housing
Carcasse
Carcasa
Carter



Bestell-Nr.
Part No.
Les références
No. d'ordinazione
N° de pedido

- | | |
|-----------------------|-----------------------|
| ① = 29-924 993-70-085 | ⑬ = 29-924 993-70-087 |
| ② = 29-924 993-70-084 | ⑭ = 29-924 993-70-088 |
| ③ = 29-924 990-00-000 | ⑮ = 29-924 993-70-089 |
| ④ = 29-924 993-70-086 | ⑯ = 29-924 993-70-090 |
| ⑤ = 29-924 990-01-000 | ⑰ = 29-924 991-85-000 |
| ⑥ = 29-924 993-70-238 | ⑱ = 29-924 991-83-000 |
| ⑦ = 29-924 990-25-000 | ⑲ = 29-924 993-70-246 |
| ⑧ = 29-924 991-85-000 | ⑳ = 29-924 993-70-090 |
| ⑨ = 29-924 993-14-000 | ㉑ = 29-924 993-70-031 |
| ⑩ = 29-924 990-25-000 | ㉒ = 29-924 993-70-021 |
| ⑪ = 29-924 993-70-180 | ㉓ = 29-924 990-05-000 |
| ⑫ = 29-924 992-72-000 | |

Armwelle
Arm shaft
Arbre de bras
Eje del brazo
Albero del braccio



Bestell-Nr.

Part No.

Les références

No. d'ordinazione

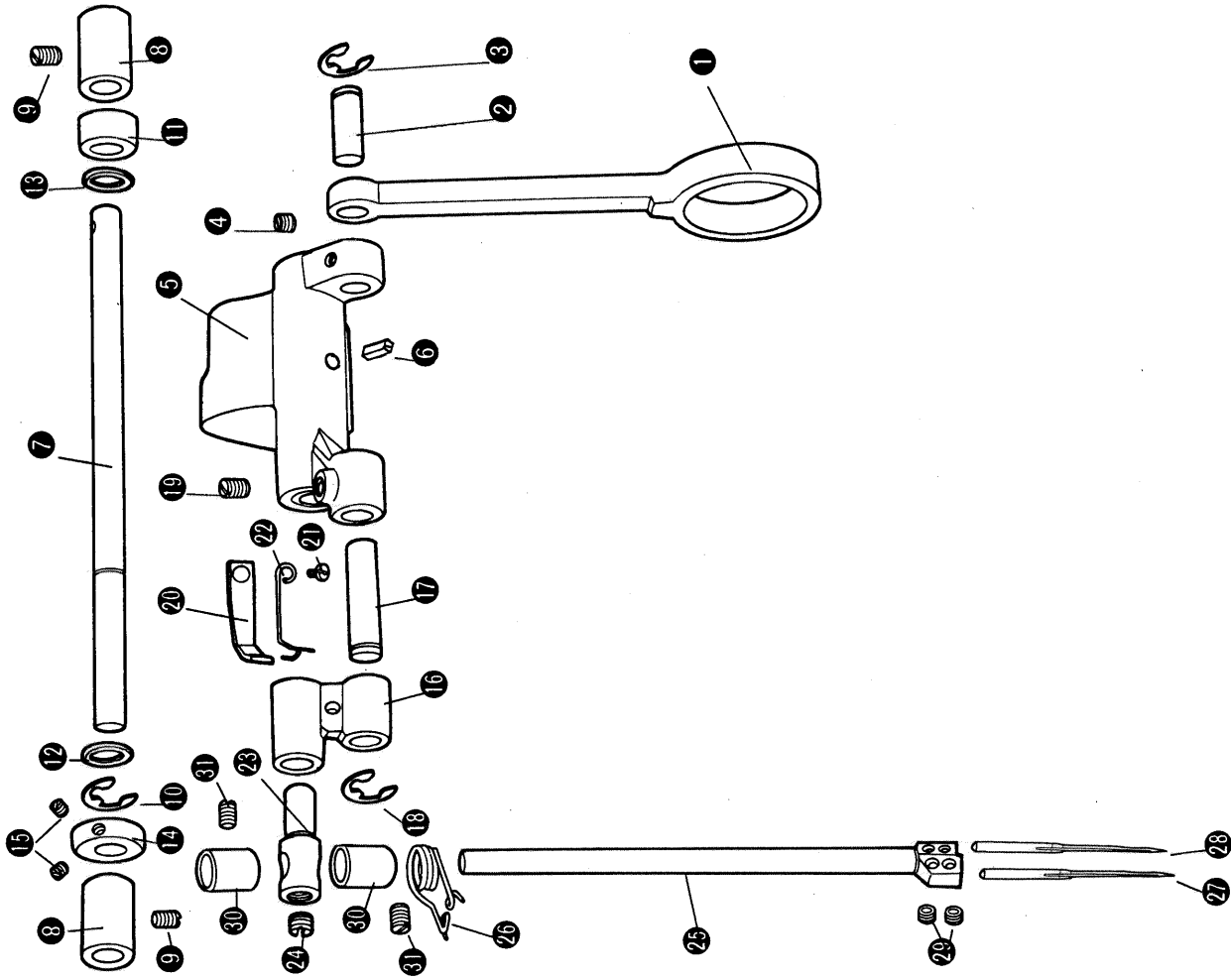
N° de pedido

①	=	29-924 993-70-092	⑪	=	29-924 993-70-096
②	=	29-924 990-29-000	⑫	=	29-924 990-09-000
③	=	29-924 990-30-000	⑬	=	29-924 993-70-097
④	=	29-924 990-06-000	⑭	=	29-924 993-70-010
⑤	=	29-924 993-70-094	⑮	=	29-924 993-70-093
⑥	=	29-924 990-09-000	⑯	=	29-924 993-70-042
⑦	=	29-924 993-70-098	⑰	=	29-924 993-70-043
⑧	=	29-924 990-09-000	⑱	=	29-924 993-70-013
⑨	=	29-924 993-70-039	⑲	=	29-924 993-70-012
⑩	=	29-924 990-09-000			

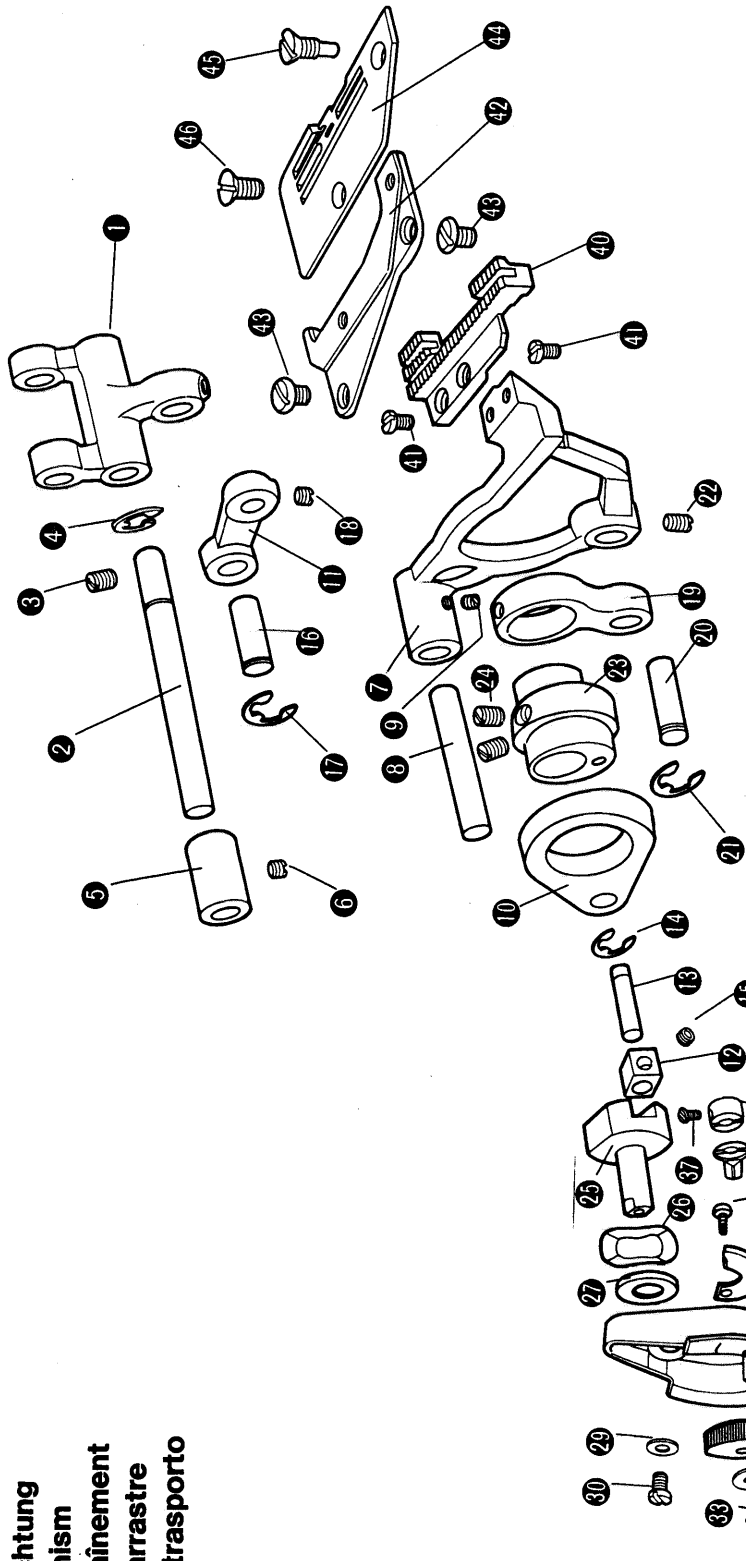
Nadelstange mit Antrieb
Needle bar with drive
Barre à aiguille avec commande
Barra de aguja con accionamiento
Barra d'ago con comando

Bestell-Nr.
Part No.
Les références
No. d'ordinazione
N° de pedido

- (1) = 29-924 993-70-050
- (2) = 29-924 993-70-045
- (3) = 29-924 993-70-075
- (4) = 29-924 990-09-000
- (5) = 29-924 993-70-099
- (6) = 29-924 993-70-082
- (7) = 29-924 993-70-100
- (8) = 29-924 993-18-000
- (9) = 29-924 990-06-000
- (10) = 29-924 993-70-075
- (11) = 29-924 993-70-101
- (12) = 29-924 993-70-107
- (13) = 29-924 993-70-109
- (14) = 29-924 993-21-000
- (15) = 29-924 990-20-000
- (16) = 29-924 993-70-102
- (17) = 29-924 993-70-104
- (18) = 29-924 993-70-075
- (19) = 29-924 990-06-000
- (20) = 29-924 993-70-105
- (21) = 29-924 991-84-000
- (22) = 29-924 993-70-106
- (23) = 29-924 993-70-046
- (24) = 29-924 990-08-000
- (25) = 29-924 993-70-073
- (26) = 29-924 990-52-000
- (27) = 49-150 005-11-000
- (28) = 49-062 984-31-000
- (29) = 29-924 990-10-000
- (30) = 29-924 993-70-074
- (31) = 29-924 990-06-000



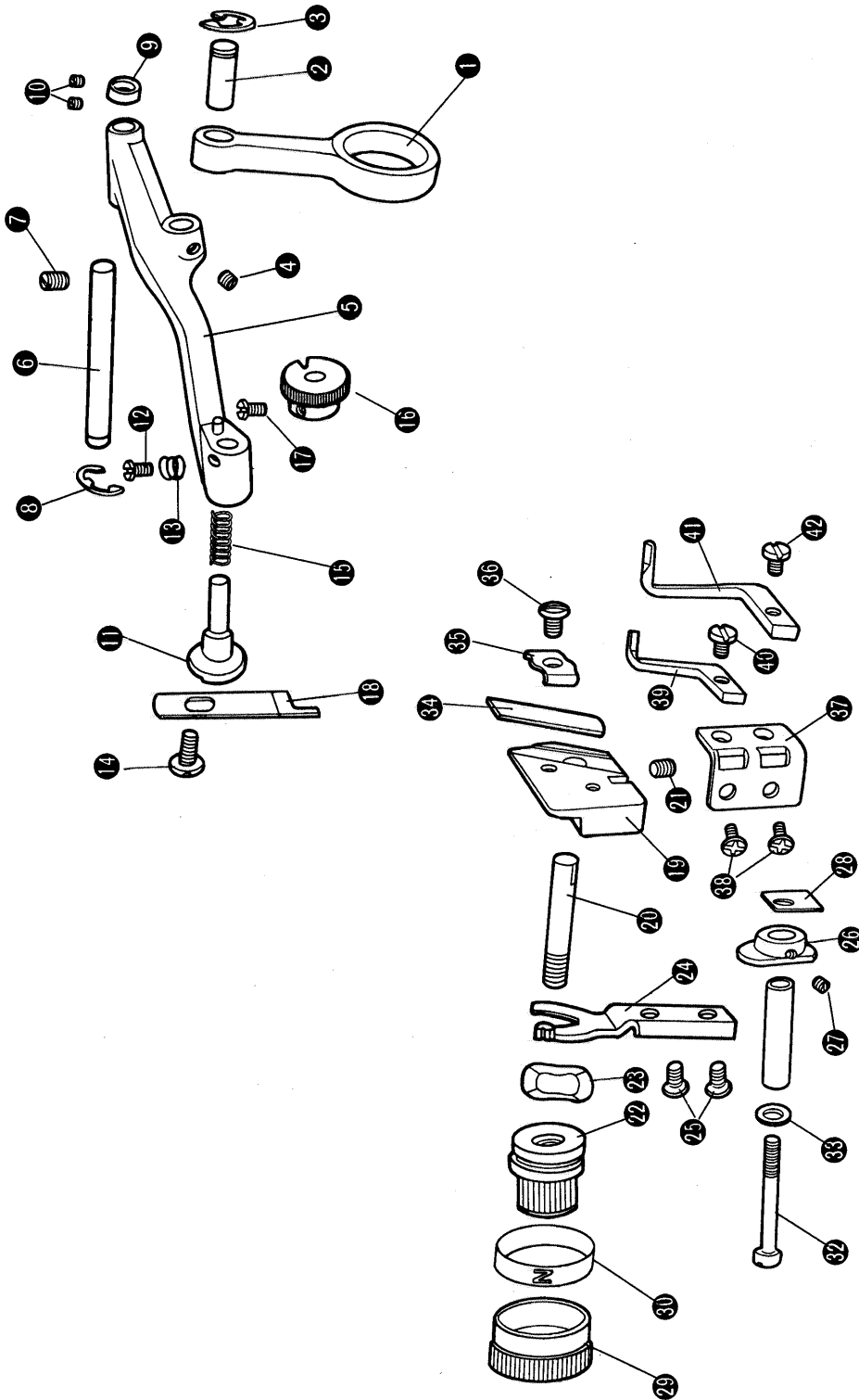
**Transport-Einrichtung
Feeding mechanism
Système d'entraînement
Mecanismo de arrastre
Meccanismo di trasporto**



**Bestell-Nr.
Bestell-Nr.
Part No.
Les références
No. d'ordinazione
N° de pedido**

1	=	29-924 993-70-113	11	=	29-924 993-70-116	23	=	29-924 993-70-118	35	=	29-924 993-70-124
2	=	29-924 993-70-055	12	=	29-924 993-70-128	24	=	29-924 990-06-000	36	=	29-924 993-70-126
3	=	29-924 990-06-000	13	=	29-924 993-70-127	25	=	29-924 993-70-119	37	=	29-924 990-13-000
4	=	29-924 993-70-075	14	=	29-924 993-70-033	26	=	29-924 993-70-032	38	=	29-924 993-70-125
5	=	29-924 993-70-059	15	=	29-924 990-10-000	27	=	29-924 993-70-120	39	=	29-924 993-70-034
6	=	29-924 990-09-000	16	=	29-924 993-70-045	28	=	29-924 993-70-121	40	=	29-924 993-70-114
7	=	29-924 993-70-051	17	=	29-924 993-70-075	29	=	29-924 993-70-031	41	=	29-924 990-13-000
8	=	29-924 993-70-117	18	=	29-924 990-09-000	30	=	29-924 990-25-000	42	=	29-924 993-70-129
9	=	29-924 990-20-000	19	=	29-924 993-70-054	31	=	29-924 993-70-122	43	=	29-924 993-70-014
10	=	29-924 993-70-115	20	=	29-924 993-70-052	32	=	29-924 993-70-030	44	=	29-924 993-63-000
			21	=	29-924 993-70-075	33	=	29-924 993-70-028	45	=	29-924 990-14-000
			22	=	29-924 990-06-000	34	=	29-924 993-70-123	46	=	29-924 993-70-011

Ober- und Untermesser
Upper and lower knife
Couteau supérieur et inférieur
Cuchilla superior e inferior
Coltello superiore ed inferiore



Bestell-Nr.
Part No.
Les références
No. d'ordinazione
N° de pedido

(1) = 29-924 993-70-057	(9) = 29-924 993-70-072	(17) = 29-924 990-13-000	(25) = 29-924 993-70-002	(33) = 29-924 993-70-031
(2) = 29-924 993-70-045	(10) = 29-924 990-20-000	(18) = 29-924 993-56-000	(26) = 29-924 993-70-145	(34) = 29-924 992-56-100
(3) = 29-924 993-70-075	(11) = 29-924 993-70-056	(19) = 29-924 993-70-136	(27) = 29-924 990-20-000	(35) = 29-924 993-70-143
(4) = 29-924 990-09-000	(12) = 29-924 993-70-036	(20) = 29-924 993-70-138	(28) = 29-924 993-70-146	(36) = 29-924 990-02-000
(5) = 29-924 993-70-131	(13) = 29-924 993-70-135	(21) = 29-924 993-70-035	(29) = 29-924 993-70-141	(37) = 29-924 993-70-147
(6) = 29-924 993-70-133	(14) = 29-924 993-70-016	(22) = 29-924 993-70-139	(30) = 29-924 993-70-276	(38) = 29-924 993-70-002
(7) = 29-924 990-06-000	(15) = 29-924 993-70-058	(23) = 29-924 993-70-144	(31) = 29-924 993-70-142	(39) = 29-924 993-70-148
(8) = 29-924 993-70-075	(16) = 29-924 993-70-134	(24) = 29-924 993-70-140	(32) = 29-924 993-70-017	(40) = 29-924 993-70-027
				(41) = 29-924 993-70-150
				(42) = 29-924 993-70-027

**Stoffdrückerstange mit Nähfuß
 Presser bar with presser foot
 Barra presse-tissu avec pied
 Barra del prensateelas con prensateelas
 Barra premistoffa con piedino**

Bestell-Nr.

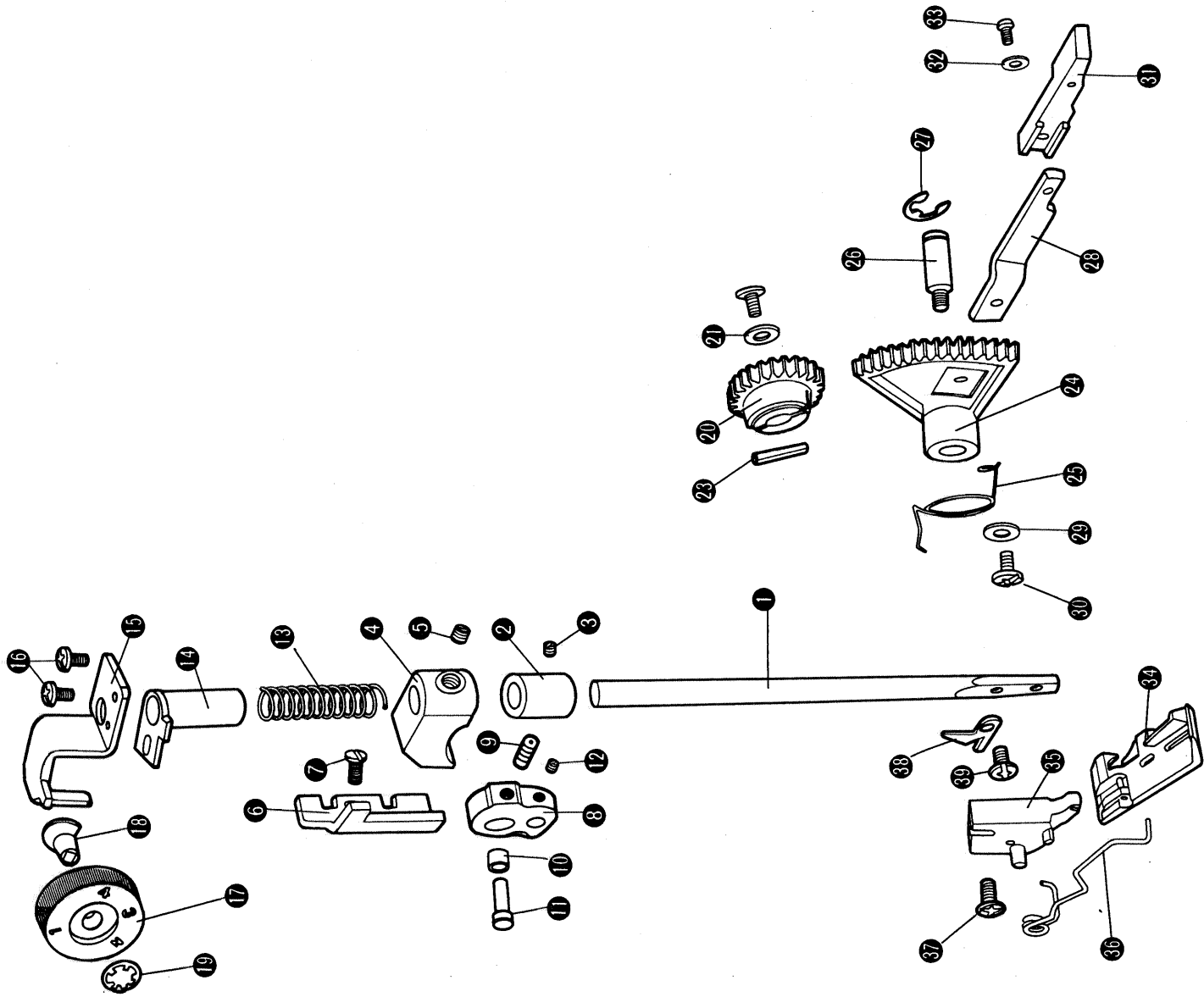
Part No.

Les références

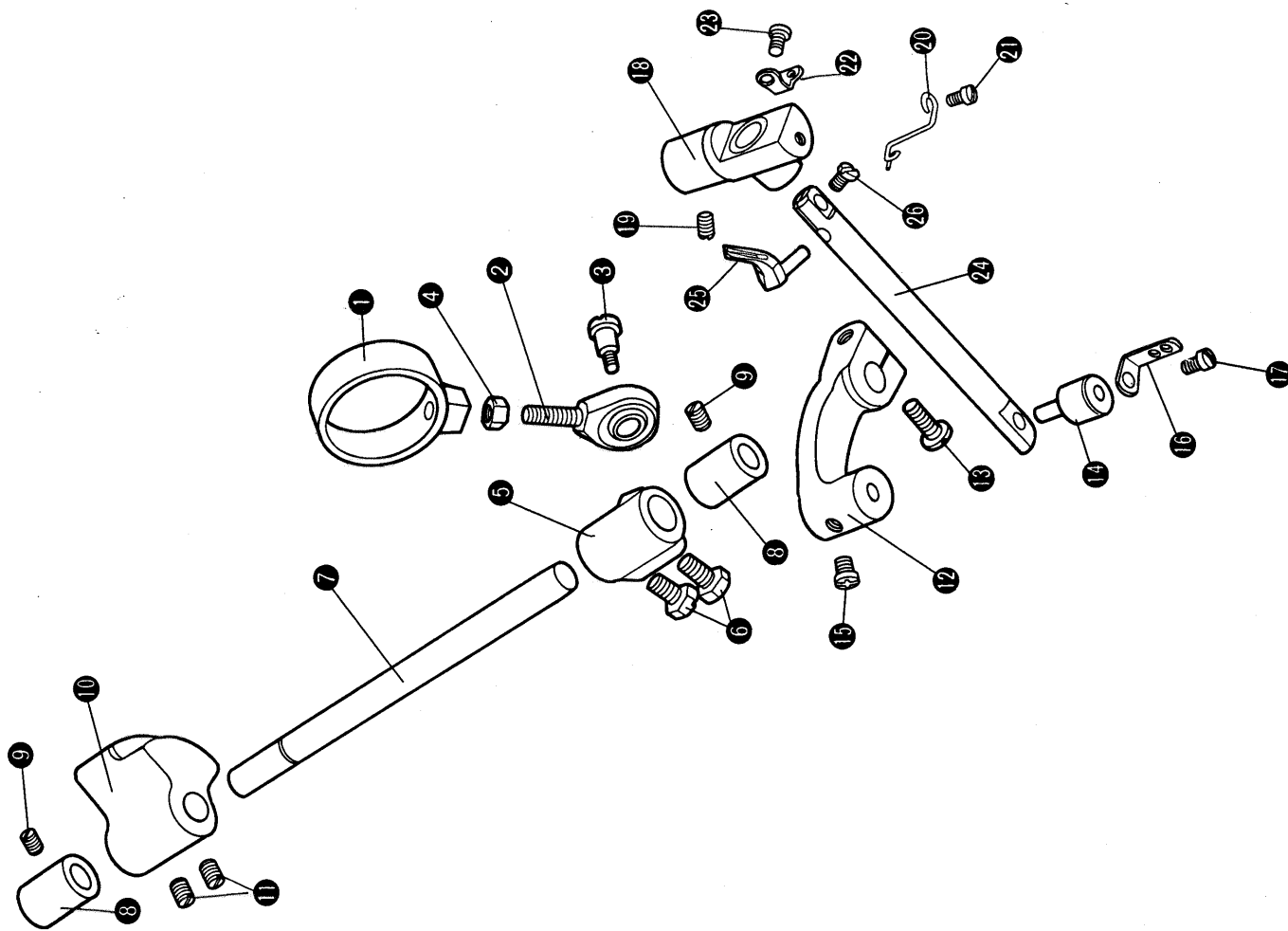
No. d'ordinazione

N° de pedido

- | | |
|-----------------------|------------------------|
| ① = 29-924 993-70-151 | ②① = 29-924 993-70-031 |
| ② = 29-924 993-31-000 | ②② = 29-924 993-70-001 |
| ③ = 29-924 990-20-000 | ②③ = 29-924 993-70-161 |
| ④ = 29-924 993-70-152 | ②④ = 29-924 993-70-162 |
| ⑤ = 29-924 990-09-000 | ②⑤ = 29-924 993-70-171 |
| ⑥ = 29-924 993-70-153 | ②⑥ = 29-924 993-70-164 |
| ⑦ = 29-924 990-25-000 | ②⑦ = 29-924 993-70-075 |
| ⑧ = 29-924 993-70-154 | ②⑧ = 29-924 993-70-163 |
| ⑨ = 29-924 993-70-004 | ②⑨ = 29-924 993-70-031 |
| ⑩ = 29-924 993-70-174 | ③⑩ = 29-924 992-01-000 |
| ⑪ = 29-924 993-70-175 | ③① = 29-924 993-70-165 |
| ⑫ = 29-924 990-20-000 | ③② = 29-924 993-70-030 |
| ⑬ = 29-924 993-70-077 | ③③ = 29-924 993-70-026 |
| ⑭ = 29-924 993-70-155 | ③④ = 29-924 993-70-166 |
| ⑮ = 29-924 993-70-156 | ③⑤ = 29-924 993-70-172 |
| ⑯ = 29-924 993-70-002 | ③⑥ = 29-924 993-70-167 |
| ⑰ = 29-924 993-70-157 | ③⑦ = 29-924 992-01-000 |
| ⑱ = 29-924 993-70-158 | ③⑧ = 29-924 993-70-168 |
| ⑲ = 29-924 993-70-159 | ③⑨ = 29-924 993-70-002 |
| ⑳ = 29-924 993-70-160 | |



Überwendlichgreifer
Overedging hook
Boucleur point de surjet
Garfio para sobrehilal
Crochet por sorfilatura



Bestell-Nr.

Part No.

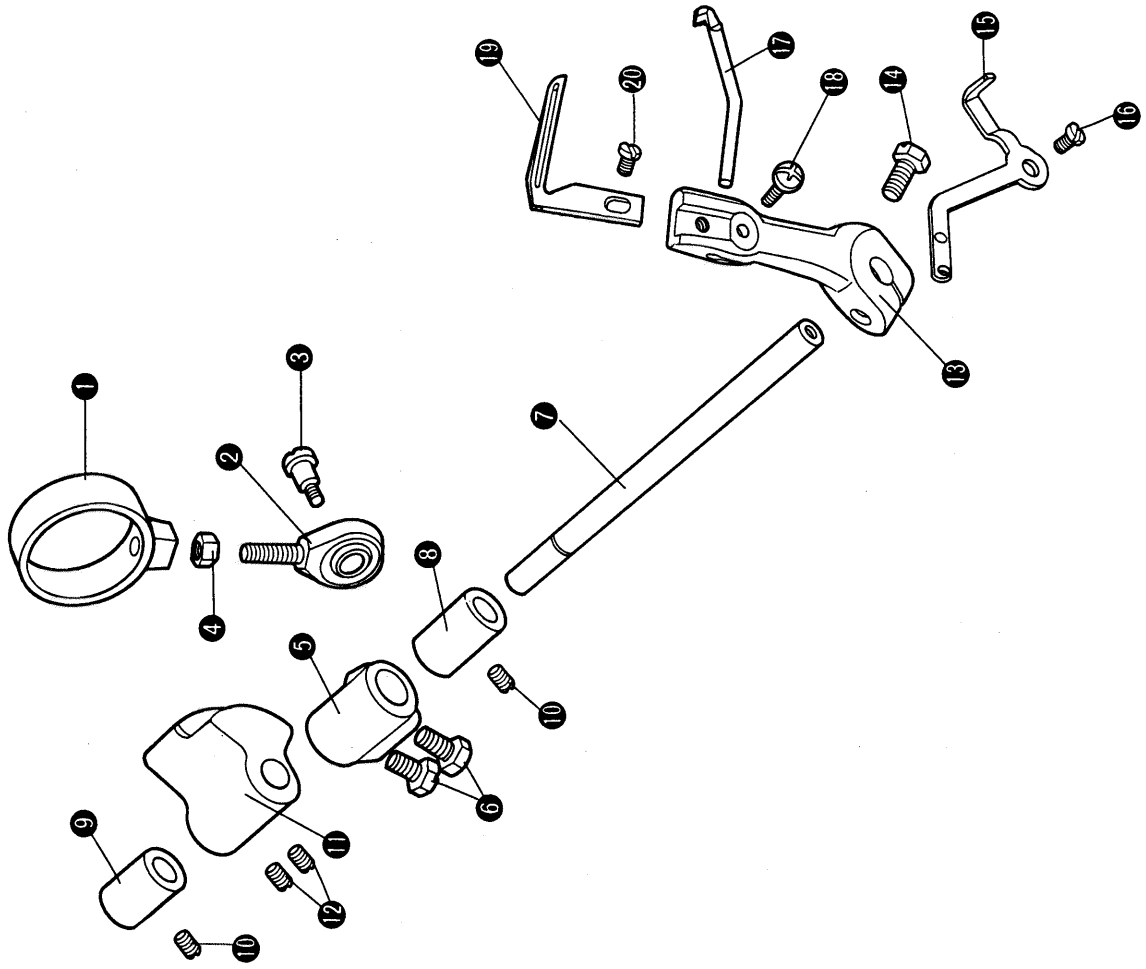
Les références

No. d'ordinazione

N° de pedido

①	=	29-924 993-00-000	⑭	=	29-924 992-34-000
②	=	29-924 992-97-000	⑮	=	29-924 992-72-000
③	=	29-924 992-96-000	⑯	=	29-924 993-70-187
④	=	29-924 992-95-000	⑰	=	29-924 992-71-000
⑤	=	29-924 992-98-000	⑱	=	29-924 993-51-000
⑥	=	29-924 990-11-000	⑲	=	29-924 990-06-000
⑦	=	29-924 993-70-060	⑳	=	29-924 993-70-186
⑧	=	29-924 990-31-000	㉑	=	29-924 990-13-000
⑨	=	29-924 990-06-000	㉒	=	29-924 993-70-190
⑩	=	29-924 993-70-184	㉓	=	29-924 990-13-000
⑪	=	29-924 990-06-000	㉔	=	29-924 993-70-181
⑫	=	29-924 992-92-000	㉕	=	29-924 992-39-000
⑬	=	29-924 993-70-006	㉖	=	29-924 992-72-000

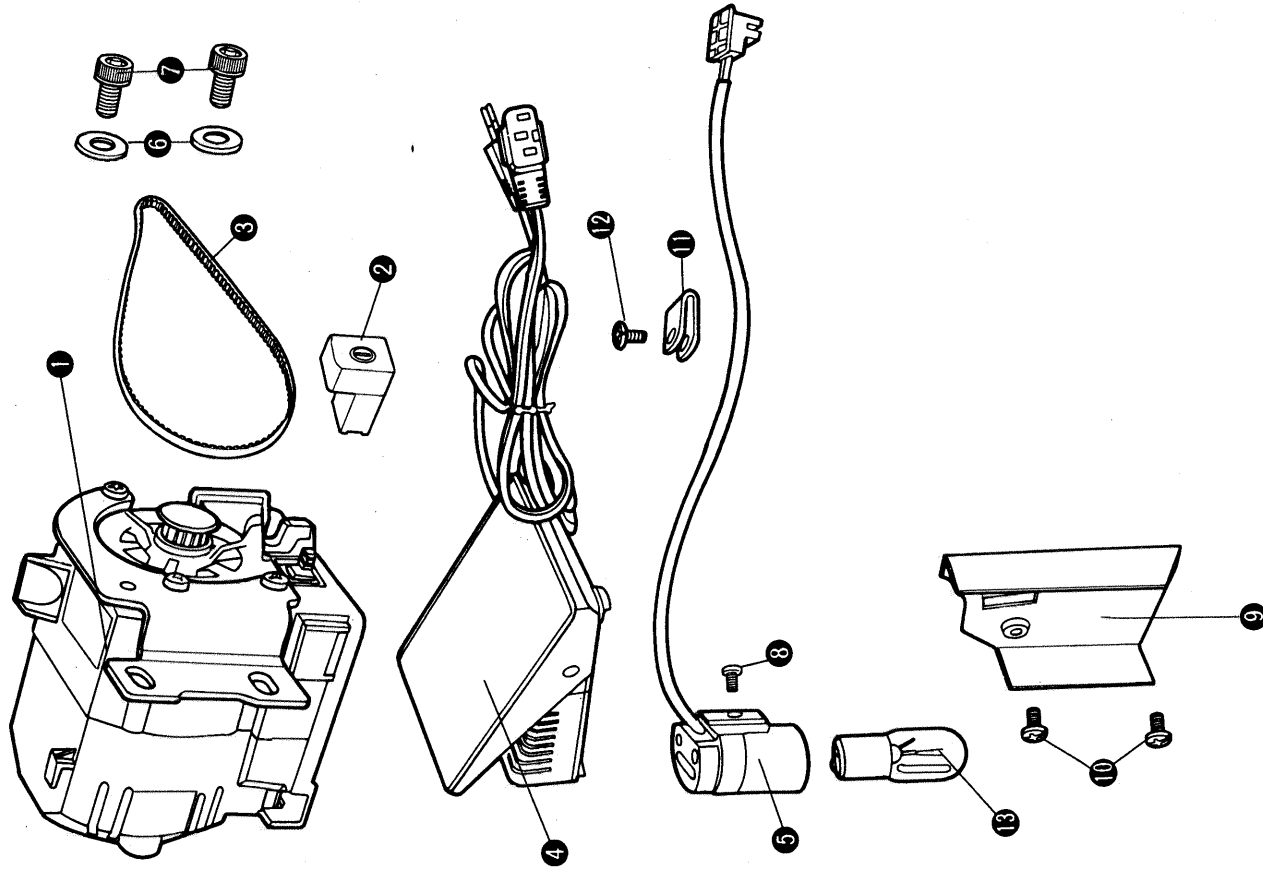
Kettenstichgreifer
Chainstitch looper
Boucleur point de chaînette
Garfio para punto de cadeneta
Crochet per punto catenella



Bestell-Nr.
Part No.
Les références
No. d'ordinazione
N° de pedido

① = 29-924 993-00-000	⑪ = 29-924 993-70-184
② = 29-924 992-97-000	⑫ = 29-924 990-06-000
③ = 29-924 992-96-000	⑬ = 29-924 993-70-182
④ = 29-924 992-95-000	⑭ = 29-924 993-70-005
⑤ = 29-924 992-98-000	⑮ = 29-924 993-70-188
⑥ = 29-924 990-11-000	⑯ = 29-924 992-72-000
⑦ = 29-924 993-70-062	⑰ = 29-924 991-91-000
⑧ = 29-924 992-86-000	⑱ = 29-924 992-01-000
⑨ = 29-924 993-18-000	⑲ = 29-924 991-13-000
⑩ = 29-924 990-06-000	⑳ = 29-924 992-72-000

Motor / Anlasser / Einbauleuchte
Motor / foot control / built-in lamp
Moteur / Rhéostat à pédale / Lampe d'éclairage incorporée
Motor / Pedal de arranque / Lámpara incorporada
Motore / Reostato a pedale / Lampadina incorporata



Bestell-Nr.

Part No.

Les références

No. d'ordinazione

N° de pedido

- | | |
|-------------------------------------|---------------------------------|
| ① = 902-1002-010 (220 V UUS 2103) | ⑥ = 29-924 993-70-025 |
| 902-1002-013 (120 V UUS 2133) | ⑦ = 29-924 993-70-020 |
| 902-1002-011 (240 V UUS 2113) | ⑧ = 29-924 993-70-022 |
| ② = 92-324 848-55-000 | ⑨ = 29-924 993-70-266 |
| ③ = 92-326 871-05-000 | ⑩ = 29-924 993-70-002 |
| ④ = 902-2006-901 (220 V) | ⑪ = 29-924 993-70-267 |
| 902-2006-903 (110 V) | ⑫ = 29-924 993-70-002 |
| 902-2006-906 (240 V) | ⑬ = 70-251 652-01-000 (220 V) |
| 902-2300-901 (220 V Elektronik) | 70-251 651-71-000 (120 V) |
| 902-2300-903 (110 V Elektronik) | |
| 902-2300-906 (240 V Elektronik) | |
| ⑤ = 902-3304-001 (220 V) | |
| 902-3304-003 (120 V) | |
| 902-3304-004 (240 V) | |

Gamrollenständer
Thread stand
Porte-bobines
Portacarretes
Porta-rocchetti

Bestell-Nr.

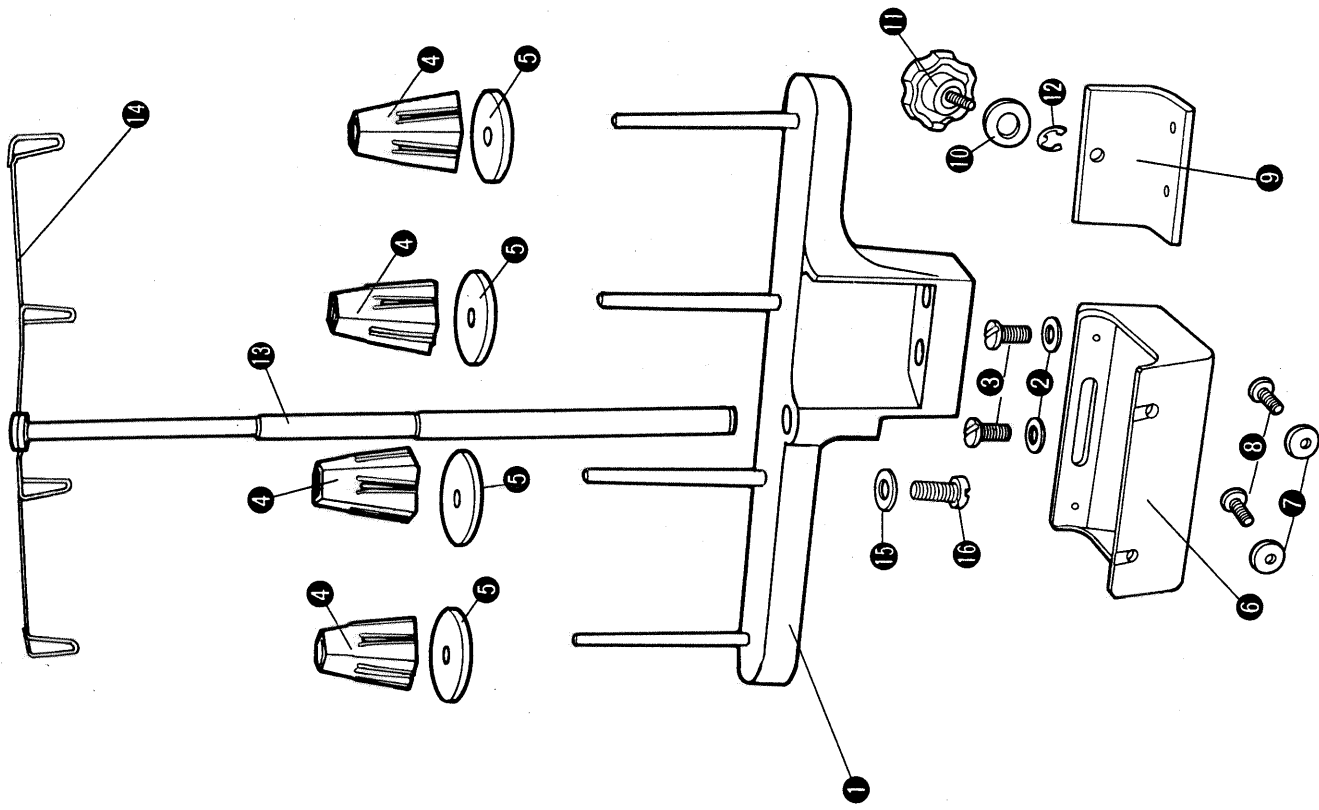
Part No.

Les références

No. d'ordinazione

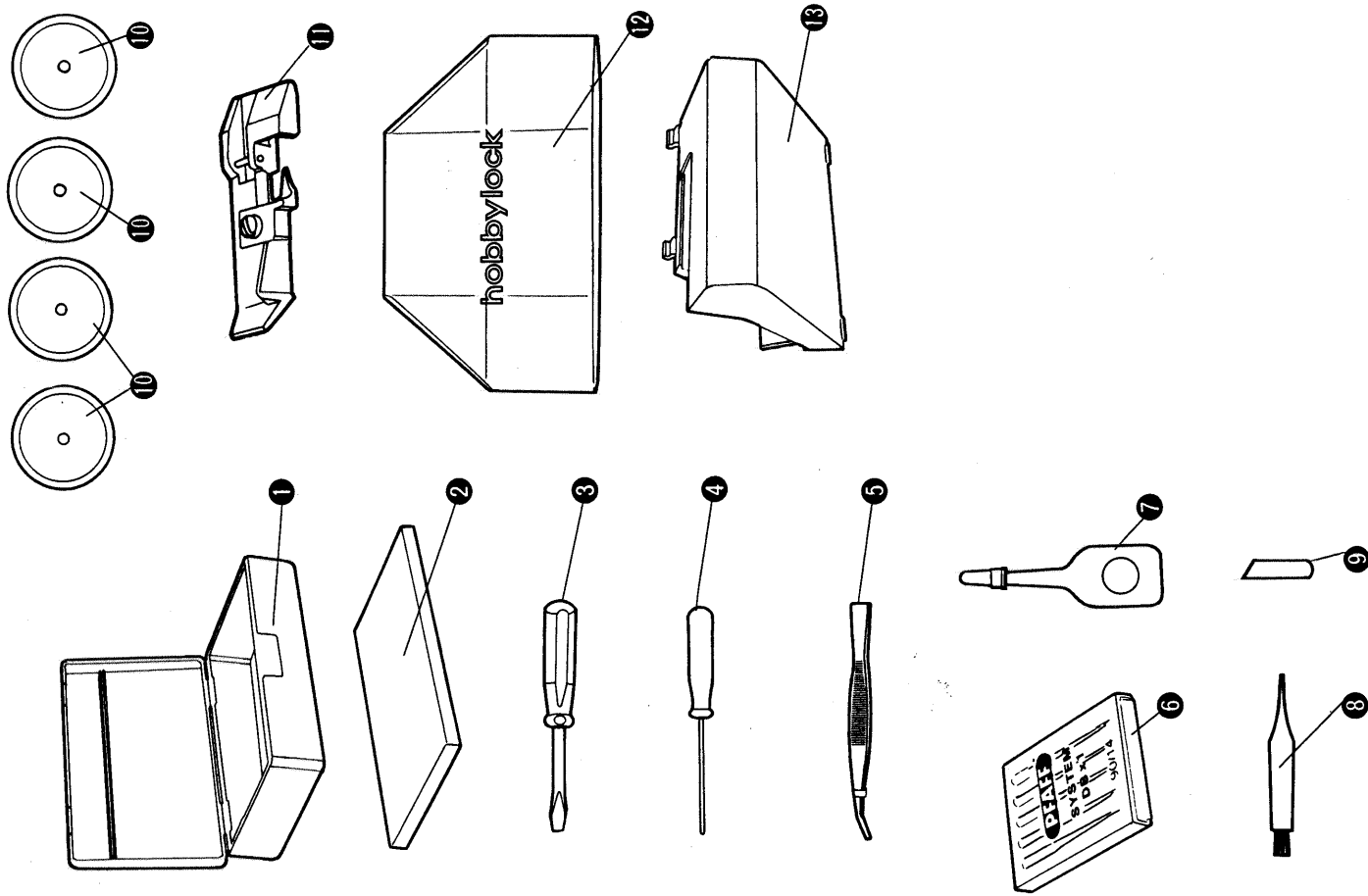
N° de pedido

- ① = 29-924 993-12-000
- ② = 29-924 993-70-029
- ③ = 29-924 993-70-019
- ④ = 29-924 993-70-080
- ⑤ = 29-924 993-70-226
- ⑥ = 29-924 993-70-221
- ⑦ = 29-924 993-70-031
- ⑧ = 29-924 990-25-000
- ⑨ = 29-924 993-70-220
- ⑩ = 29-924 993-70-024
- ⑪ = 29-924 993-70-225
- ⑫ = 29-924 993-70-037
- ⑬ = 29-924 993-26-000
- ⑭ = 29-924 993-70-070
- ⑮ = 29-924 991-85-000
- ⑯ = 29-924 993-54-000

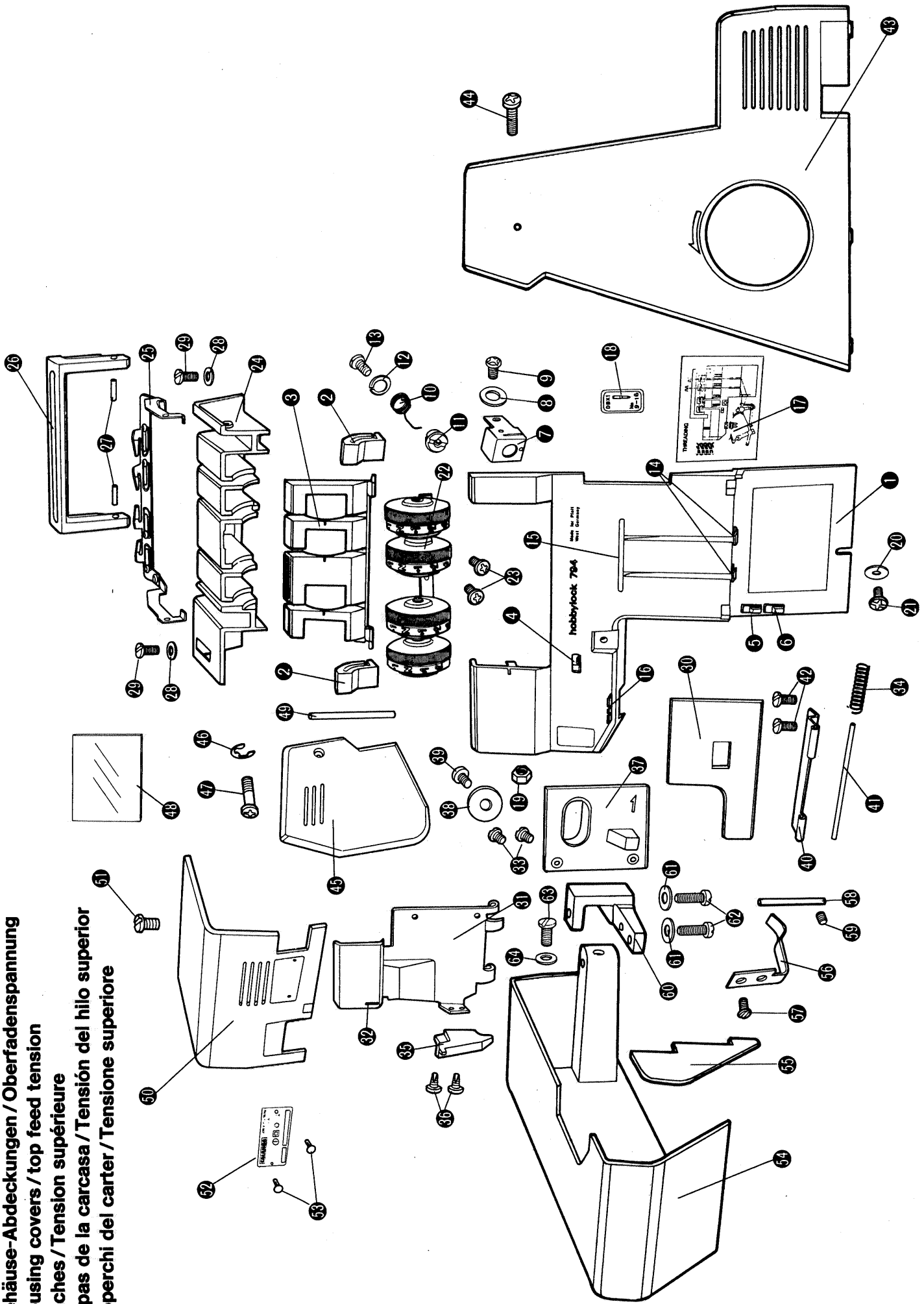


Zubehör
Accessories
Accessoires
Accesorios
Accessori

- Bestell-Nr.**
Part No.
Les références
No. d'ordinazione
N° de pedido
- ① = 29-924 993-70-245
 - ② = 29-924 993-70-251
 - ③ = 29-924 993-70-247
 - ④ = 29-924 993-70-248
 - ⑤ = 29-924 993-70-083
 - ⑥ = 49-062 984-31-000
 - ⑦ = 29-924 993-70-250
 - ⑧ = 29-924 993-70-249
 - ⑨ = 29-924 992-56-100
 - ⑩ = 29-924 993-70-081
 - ⑪ = 29-924 993-70-173
 - ⑫ = 29-924 993-70-252
 - ⑬ = 29-924 993-64-000



Gehäuse-Abdeckungen / Oberfadenspannung
Housing covers / top feed tension
Caches / Tension supérieure
Tapas de la carcasa / Tensión del hilo superior
Coperchi del carter / Tensione superiore



Bestell-Nr.
Part No.
Les références
No. d'ordinazione
N° de pedido

① = 29-924 993-70-193	②③ = 29-924 990-21-000	④④ = 29-924 993-70-008
② = 29-924 993-70-191	②④ = 29-924 993-70-197	④⑤ = 29-924 993-70-199
③ = 29-924 993-70-194	②⑤ = 29-924 993-70-229	④⑥ = 29-924 993-70-130
④ = 29-924 993-70-230	②⑥ = 29-924 993-70-195	④⑦ = 29-924 993-70-018
⑤ = 29-924 993-70-240	②⑦ = 29-924 993-70-218	④⑧ = 29-924 993-70-273
⑥ = 29-924 993-70-242	②⑧ = 29-924 993-70-031	④⑨ = 29-924 993-70-219
⑦ = 29-924 993-70-233	②⑨ = 29-924 992-00-000	⑤⑩ = 29-924 993-70-200
⑧ = 29-924 991-85-000	③⑩ = 29-924 993-70-206	⑤① = 29-924 990-25-000
⑨ = 29-924 993-70-002	③① = 29-924 993-70-215	⑤② = 29-924 993-70-275
⑩ = 29-924 993-70-235	③② = 29-924 993-70-278	⑤③ = 29-924 993-70-277
⑪ = 29-924 993-70-234	③③ = 29-924 990-13-000	⑤④ = 29-924 993-70-201
⑫ = 29-924 993-70-023	③④ = 29-924 993-70-212	⑤⑤ = 29-924 993-70-202
⑬ = 29-924 993-70-002	③⑤ = 29-924 993-70-216	⑤⑥ = 29-924 993-70-203
⑭ = 29-924 993-70-236	③⑥ = 29-924 993-70-211	⑤⑦ = 29-924 990-13-000
⑮ = 29-924 993-70-237	③⑦ = 29-924 993-70-209	⑤⑧ = 29-924 993-70-205
⑯ = 29-924 993-70-239	③⑧ = 29-924 993-70-015	⑤⑨ = 29-924 993-70-004
⑰ = 29-924 993-70-270	③⑨ = 29-924 993-70-022	⑥⑩ = 29-924 993-70-204
⑱ = 29-924 993-70-272	④⑩ = 29-924 993-70-213	⑥① = 29-924 993-70-000
⑲ = 29-924 993-70-009	④① = 29-924 993-70-214	⑥② = 29-924 992-00-000
⑳ = 29-924 993-70-031	④② = 29-924 990-25-000	⑥③ = 29-924 990-25-000
㉑ = 29-924 992-01-000	④③ = 29-924 990-70-198	⑥④ = 29-924 993-70-038
㉒ = 29-924 993-70-244		