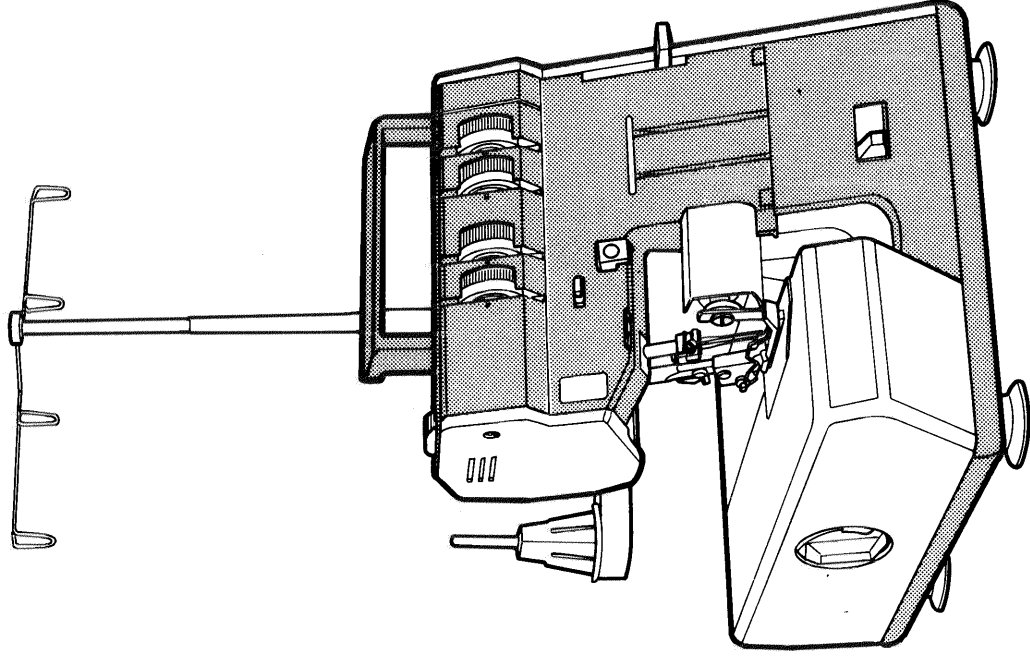


hobbylock 794



Bestandteile - Liste

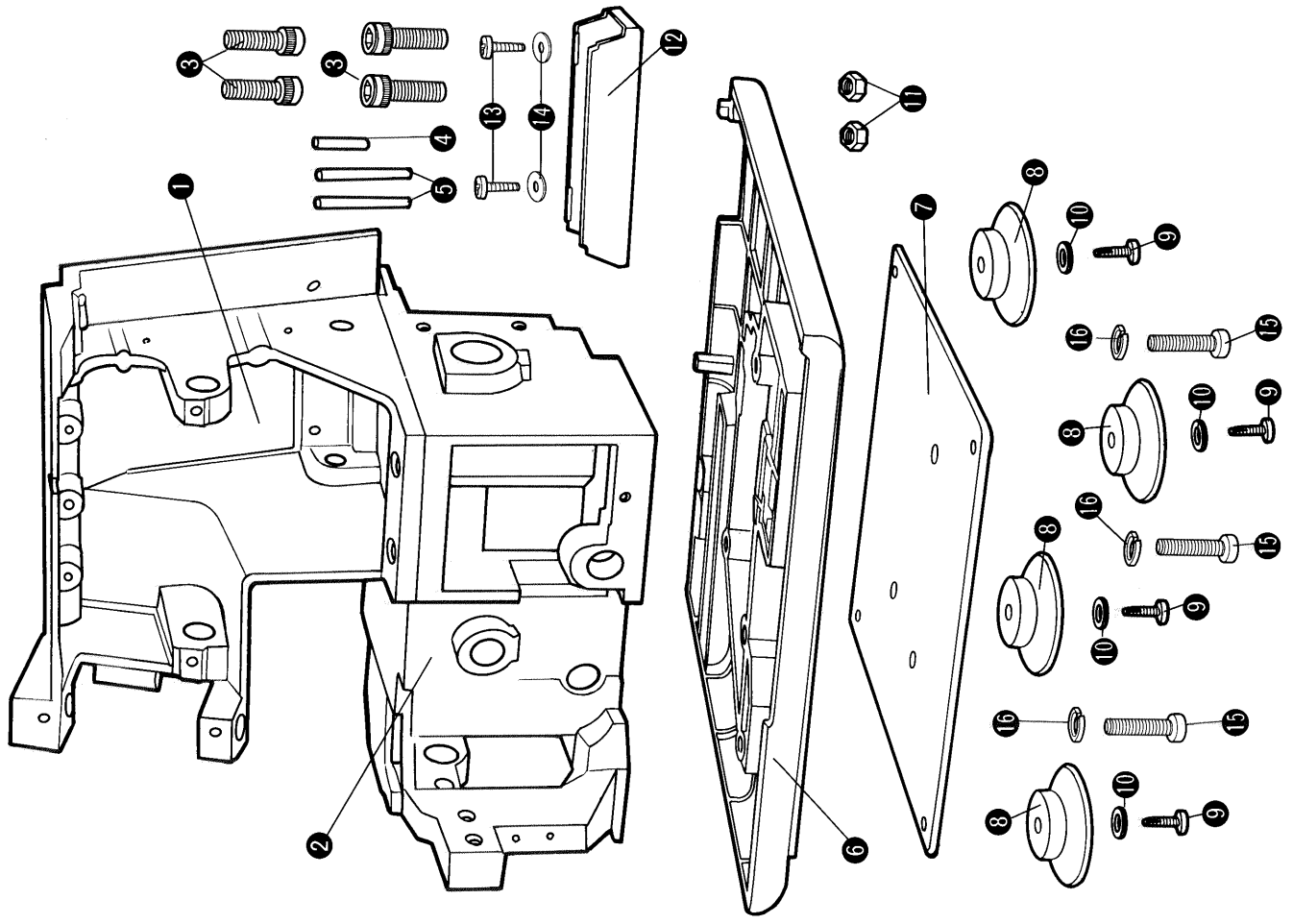
List of spare parts

Liste des pièces détachées

Catalogo pezzi staccati

Lista de piezas de repuesto

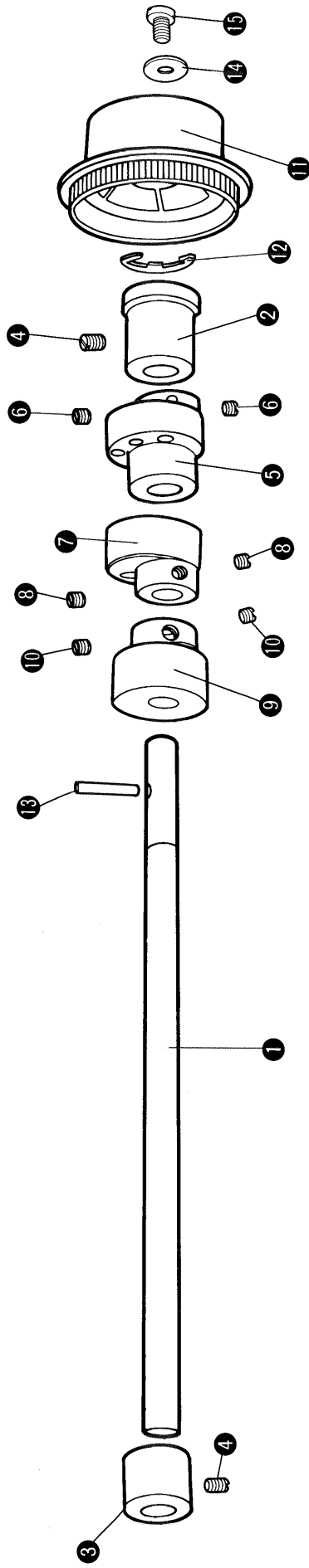
Gehäuse
Housing
Carcasse
Carcasa
Carter



Bestell-Nr.
Part No.
Les références
No. d'ordinazione
N° de pedido

- | | |
|-----|-------------------|
| ① = | 29-924 993-70-085 |
| ② = | 29-924 993-70-084 |
| ③ = | 29-924 990-00-000 |
| ④ = | 29-924 993-70-086 |
| ⑤ = | 29-924 990-01-000 |
| ⑥ = | 29-924 993-70-087 |
| ⑦ = | 29-924 993-70-088 |
| ⑧ = | 29-924 993-70-089 |
| ⑨ = | 29-924 993-70-090 |
| ⑩ = | 29-924 991-85-000 |
| ⑪ = | 29-924 991-83-000 |
| ⑫ = | 29-924 993-70-246 |
| ⑬ = | 29-924 993-70-090 |
| ⑭ = | 29-924 993-70-031 |
| ⑮ = | 29-924 993-70-021 |
| ⑯ = | 29-924 990-05-000 |

Armwelle
Arm shaft
Arbre de bras
Eje del brazo
Albero del braccio



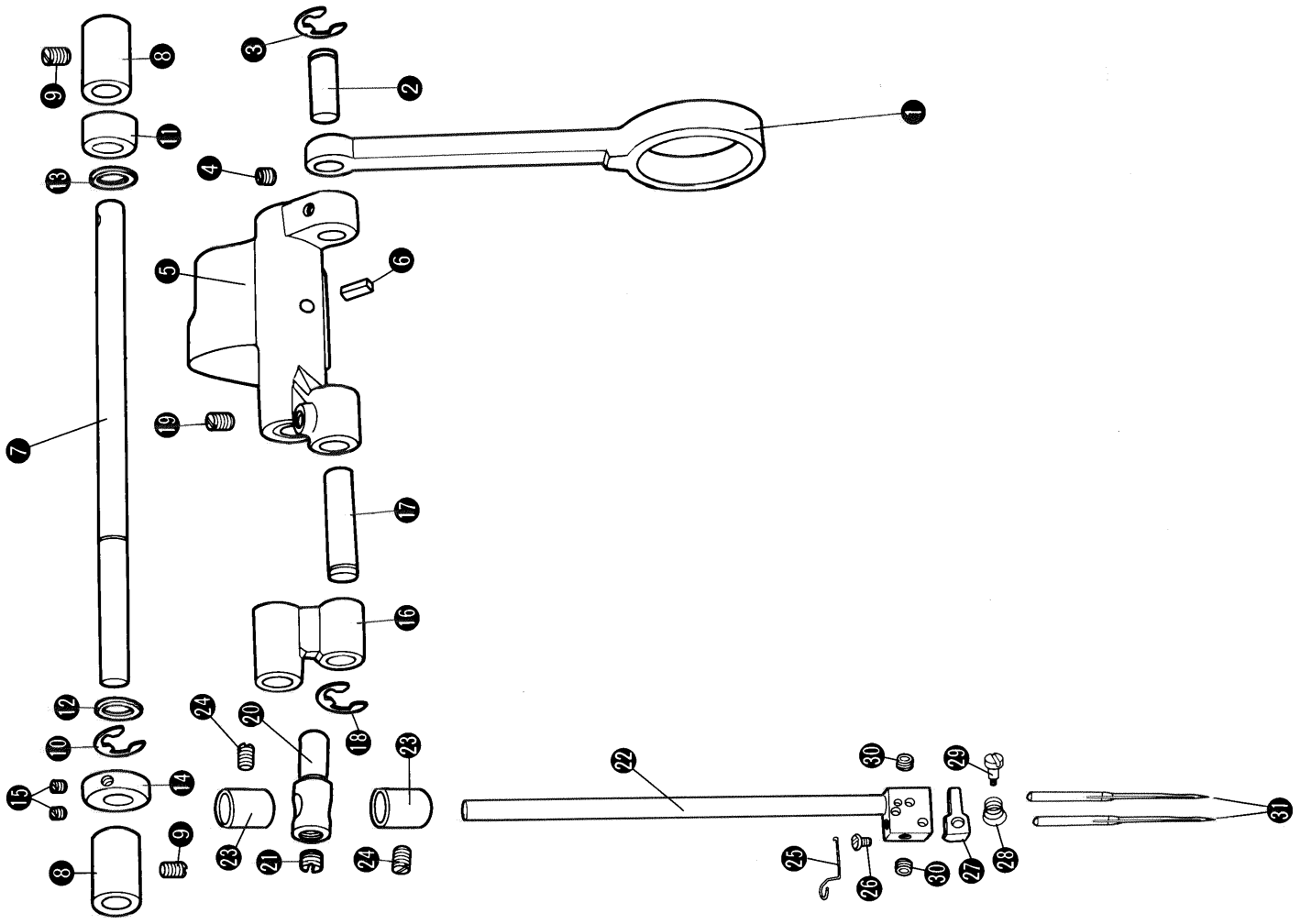
Bestell-Nr.
Part No.
Les références
No. d'ordinazione
N° de pedido

- | | |
|-----------------------|-----------------------|
| ① = 29-924 993-70-092 | ⑨ = 29-924 993-70-041 |
| ② = 29-924 993-70-091 | ⑩ = 29-924 990-09-000 |
| ③ = 29-924 990-30-000 | ⑪ = 29-924 993-70-093 |
| ④ = 29-924 990-06-000 | ⑫ = 29-924 993-70-042 |
| ⑤ = 29-924 993-70-095 | ⑬ = 29-924 993-70-043 |
| ⑥ = 29-924 990-09-000 | ⑭ = 29-924 993-70-013 |
| ⑦ = 29-924 993-70-040 | ⑮ = 29-924 993-70-012 |
| ⑧ = 29-924 990-09-000 | |

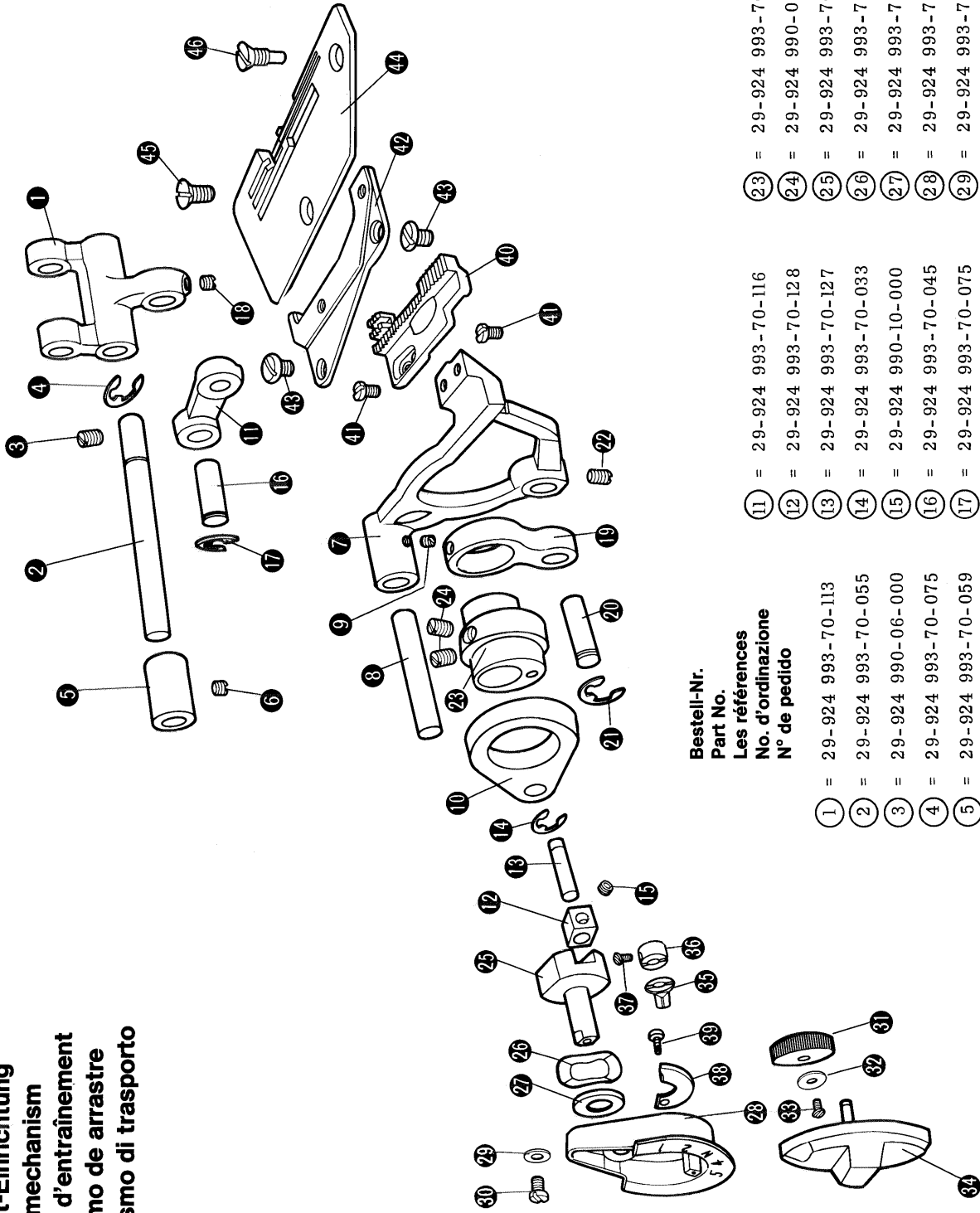
Nadeistange mit Antrieb
Needle bar with drive
Barre à aiguille avec commande
Barra de aguja con accionamiento
Barra d'ago con comando

Bestell-Nr.
Part No.
Les références
No. d'ordinazione
N° de pedido

(1)	=	29-924 993-70-050	(17)	=	29-924 993-70-104
(2)	=	29-924 993-70-045	(18)	=	29-924 993-70-075
(3)	=	29-924 993-70-075	(19)	=	29-924 990-06-000
(4)	=	29-924 990-09-000	(20)	=	29-924 993-70-046
(5)	=	29-924 993-70-099	(21)	=	29-924 990-08-000
(6)	=	29-924 993-70-082	(22)	=	29-924 993-70-047
(7)	=	29-924 993-70-100	(23)	=	29-924 993-70-074
(8)	=	29-924 993-18-000	(24)	=	29-924 990-06-000
(9)	=	29-924 990-06-000	(25)	=	29-924 993-70-279
(10)	=	29-924 993-70-075	(26)	=	29-924 992-70-000
(11)	=	29-924 993-70-101	(27)	=	29-924 993-70-108
(12)	=	29-924 993-70-109	(28)	=	29-924 993-70-048
(13)	=	29-924 993-70-107	(29)	=	29-924 993-70-049
(14)	=	29-924 993-70-078	(30)	=	29-924 990-10-000
(15)	=	29-924 990-20-000	(31)	=	49-062 984-31-000
(16)	=	29-924 993-70-103			



Transport-Einrichtung
Feeding mechanism
Système d'entraînement
Mecanismo de arrastre
Meccanismo di trasporto



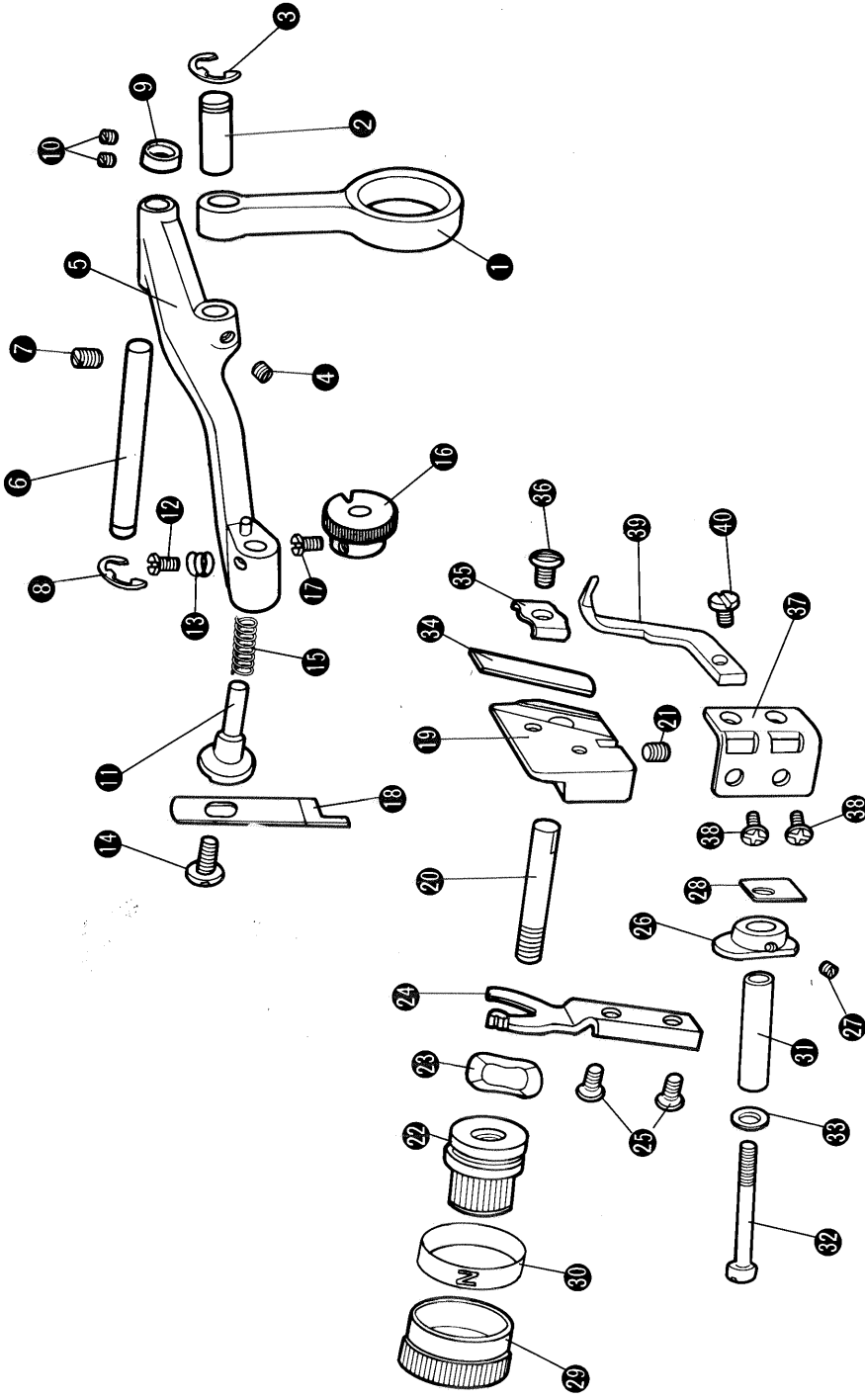
Bestell-Nr.
Part No.
Les références
No. d'ordinazione
N° de pedido

1	=	29-924 993-70-113
2	=	29-924 993-70-055
3	=	29-924 990-06-000
4	=	29-924 993-70-075
5	=	29-924 993-70-059
6	=	29-924 990-09-000
7	=	29-924 993-70-051
8	=	29-924 993-70-076
9	=	29-924 990-20-000
10	=	29-924 993-70-115
11	=	29-924 993-70-116
12	=	29-924 993-70-128
13	=	29-924 993-70-127
14	=	29-924 993-70-033
15	=	29-924 990-10-000
16	=	29-924 993-70-045
17	=	29-924 993-70-075
18	=	29-924 990-09-000
19	=	29-924 993-70-054
20	=	29-924 993-70-052
21	=	29-924 993-70-075
22	=	29-924 990-06-000

23	=	29-924 993-70-118
24	=	29-924 990-06-000
25	=	29-924 993-70-119
26	=	29-924 993-70-032
27	=	29-924 993-70-120
28	=	29-924 993-70-121
29	=	29-924 993-70-031
30	=	29-924 990-25-000
31	=	29-924 993-70-122
32	=	29-924 993-70-030
33	=	29-924 993-70-028
34	=	29-924 993-70-123

35	=	29-924 993-70-124
36	=	29-924 993-70-126
37	=	29-924 990-13-000
38	=	29-924 993-70-125
39	=	29-924 993-70-034
40	=	29-924 993-70-053
41	=	29-924 990-13-000
42	=	29-924 993-70-129
43	=	29-924 993-70-014
44	=	29-924 993-62-000
45	=	29-924 993-70-003
46	=	29-924 993-70-011

Ober- und Untermesser
Upper and lower knife
Couteau supérieur et inférieur
Cuchilla superior e inferior
Coitello superiore ed inferiore



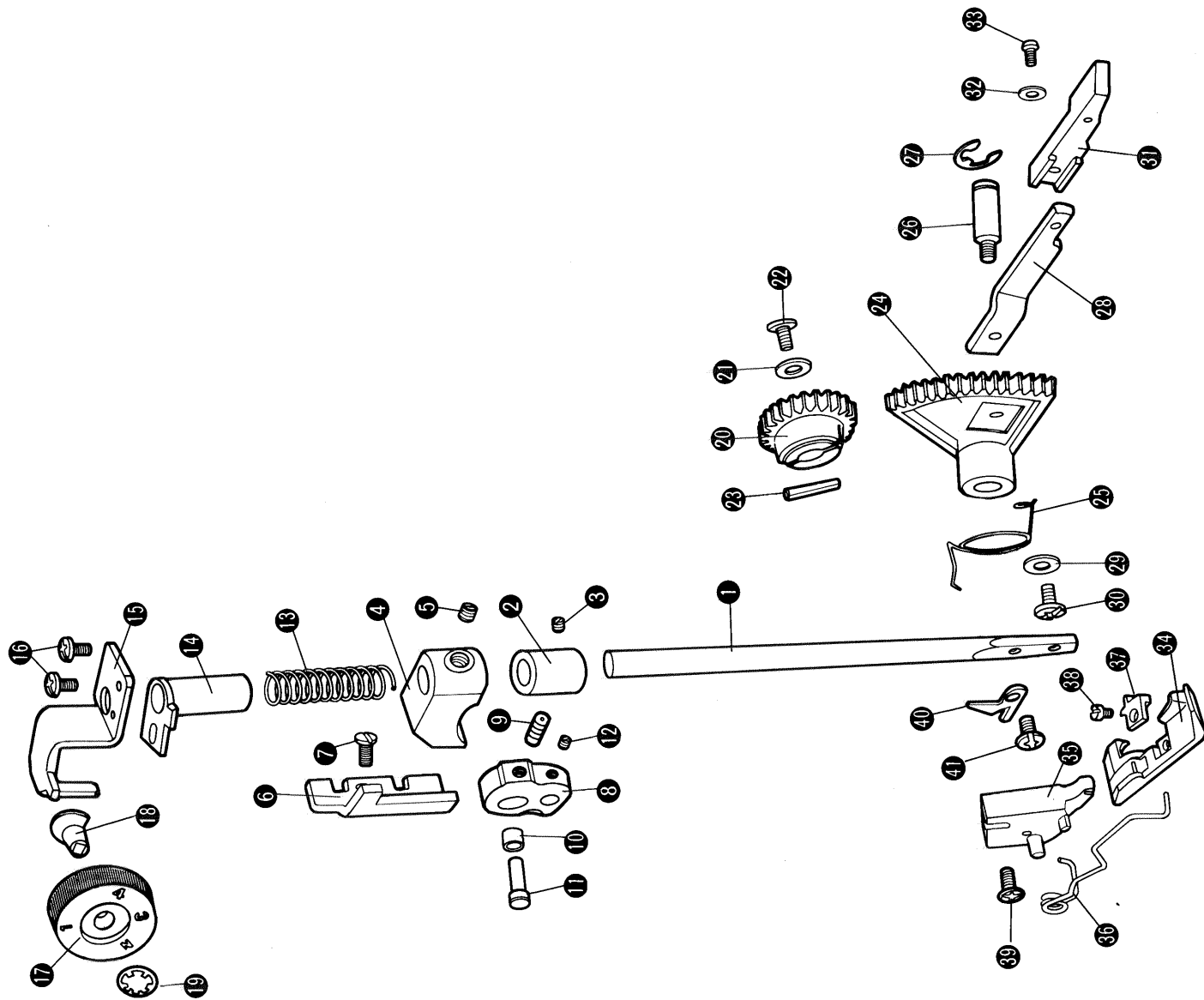
Bestell-Nr.
Part No.
Les références
No. d'ordinazione
N° de pedido

(1) = 29-924 993-70-057	(9) = 29-924 993-70-072	(17) = 29-924 990-13-000	(25) = 29-924 993-70-002	(33) = 29-924 993-70-031
(2) = 29-924 993-70-045	(10) = 29-924 990-20-000	(18) = 29-924 993-56-000	(26) = 29-924 993-70-145	(34) = 29-924 992-56-100
(3) = 29-924 993-70-075	(11) = 29-924 993-70-056	(19) = 29-924 993-70-137	(27) = 29-924 990-20-000	(35) = 29-924 993-70-143
(4) = 29-924 990-09-000	(12) = 29-924 993-70-036	(20) = 29-924 993-70-138	(28) = 29-924 993-70-146	(36) = 29-924 990-02-000
(5) = 29-924 993-70-132	(13) = 29-924 993-70-135	(21) = 29-924 993-70-035	(29) = 29-924 993-70-141	(37) = 29-924 993-70-147
(6) = 29-924 993-70-133	(14) = 29-924 993-70-016	(22) = 29-924 993-70-139	(30) = 29-924 993-70-276	(38) = 29-924 993-70-002
(7) = 29-924 990-06-000	(15) = 29-924 993-70-058	(23) = 29-924 993-70-144	(31) = 29-924 993-70-142	(39) = 29-924 993-70-149
(8) = 29-924 993-70-075	(16) = 29-924 993-70-134	(24) = 29-924 993-70-140	(32) = 29-924 993-70-017	(40) = 29-924 993-70-027

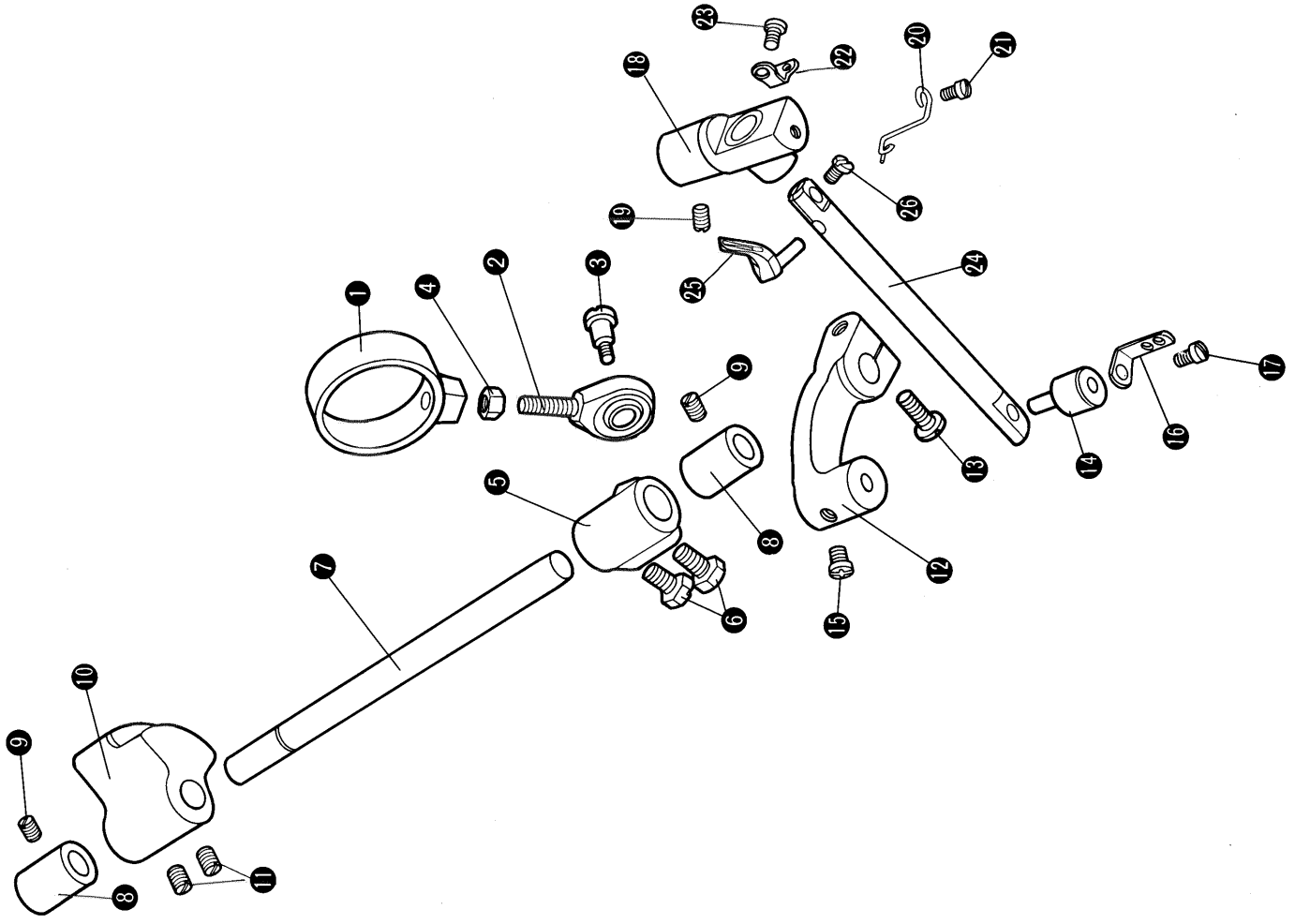
**Stoffdrückerstange mit Nähfuß
 Presser bar with presser foot
 Barre presse-tissu avec pied
 Barra del prensatelas con prensatelas
 Barra premistoffa con piedino**

**Bestell-Nr.
 Part No.
 Les références
 No. d'ordinazione
 N° de pedido**

- | | | | | | |
|------|---|-------------------|------|---|-------------------|
| (1) | = | 29-924 993-70-151 | (22) | = | 29-924 993-70-001 |
| (2) | = | 29-924 993-31-000 | (23) | = | 29-924 993-70-161 |
| (3) | = | 29-924 990-20-000 | (24) | = | 29-924 993-70-162 |
| (4) | = | 29-924 993-70-152 | (25) | = | 29-924 993-70-171 |
| (5) | = | 29-924 990-09-000 | (26) | = | 29-924 993-70-164 |
| (6) | = | 29-924 993-70-153 | (27) | = | 29-924 993-70-075 |
| (7) | = | 29-924 990-25-000 | (28) | = | 29-924 993-70-163 |
| (8) | = | 29-924 993-70-154 | (29) | = | 29-924 993-70-031 |
| (9) | = | 29-924 993-70-004 | (30) | = | 29-924 992-01-000 |
| (10) | = | 29-924 993-70-174 | (31) | = | 29-924 993-70-165 |
| (11) | = | 29-924 993-70-175 | (32) | = | 29-924 993-70-030 |
| (12) | = | 29-924 990-20-000 | (33) | = | 29-924 993-70-026 |
| (13) | = | 29-924 993-70-077 | (34) | = | 29-924 993-70-173 |
| (14) | = | 29-924 993-70-155 | (35) | = | 29-924 993-70-172 |
| (15) | = | 29-924 993-70-156 | (36) | = | 29-924 993-70-167 |
| (16) | = | 29-924 993-70-002 | (37) | = | 29-924 993-70-169 |
| (17) | = | 29-924 993-70-157 | (38) | = | 29-924 992-70-000 |
| (18) | = | 29-924 993-70-158 | (39) | = | 29-924 992-01-000 |
| (19) | = | 29-924 993-70-159 | (40) | = | 29-924 993-70-168 |
| (20) | = | 29-924 993-70-160 | (41) | = | 29-924 993-70-002 |
| (21) | = | 29-924 993-70-031 | | | |



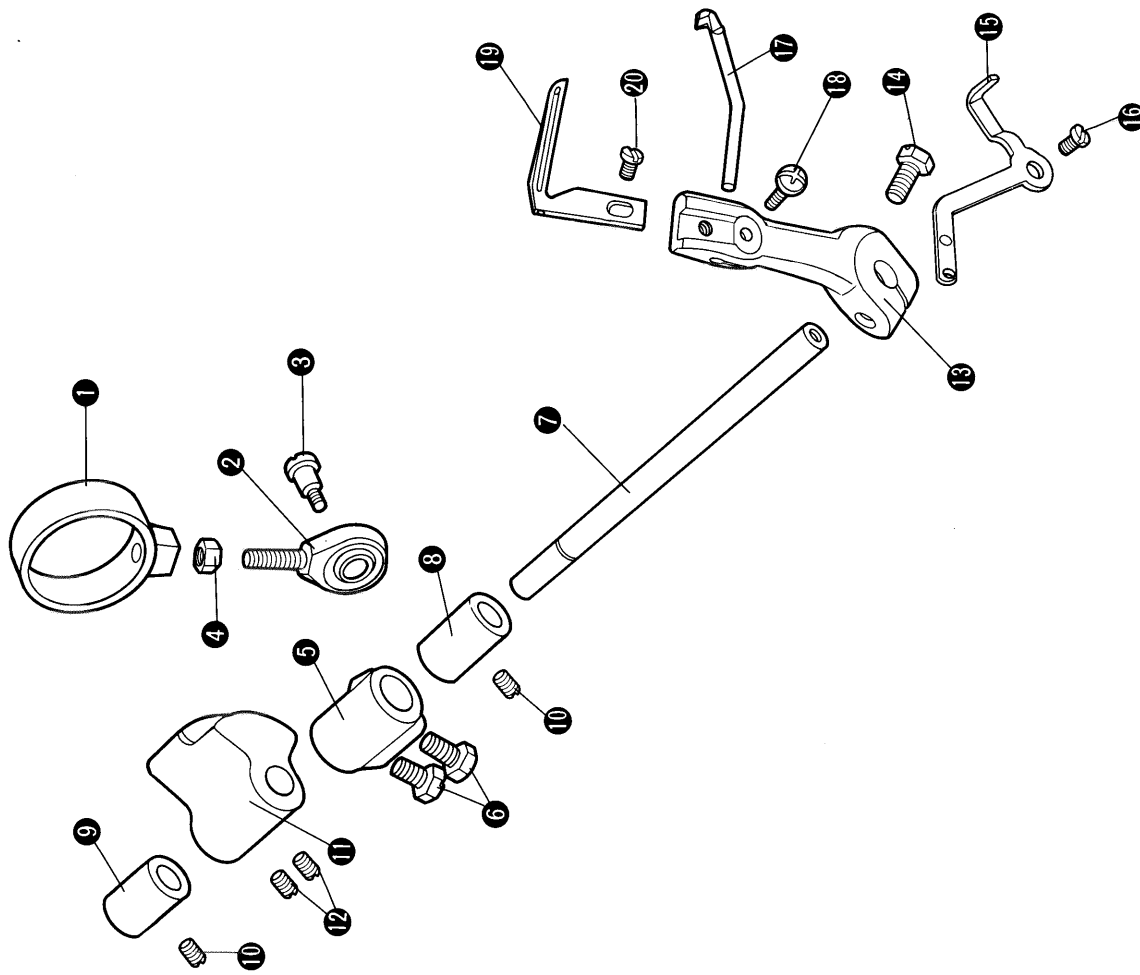
Rechter Greifer
Right looper
Boucleur droit
Garfio derecho
Crochet destro



Bestell-Nr.
Part No.
Les références
No. d'ordinazione
N° de pedido

1	=	29-924 993-00-000
2	=	29-924 992-97-000
3	=	29-924 992-96-000
4	=	29-924 992-95-000
5	=	29-924 992-98-000
6	=	29-924 990-11-000
7	=	29-924 993-70-060
8	=	29-924 990-31-000
9	=	29-924 990-06-000
10	=	29-924 993-70-184
11	=	29-924 990-06-000
12	=	29-924 992-92-000
13	=	29-924 993-70-006
14	=	29-924 992-34-000
15	=	29-924 992-72-000
16	=	29-924 993-70-187
17	=	29-924 992-71-000
18	=	29-924 993-51-000
19	=	29-924 990-06-000
20	=	29-924 993-70-186
21	=	29-924 990-13-000
22	=	29-924 993-70-190
23	=	29-924 990-13-000
24	=	29-924 993-70-181
25	=	29-924 992-39-000
26	=	29-924 992-72-000

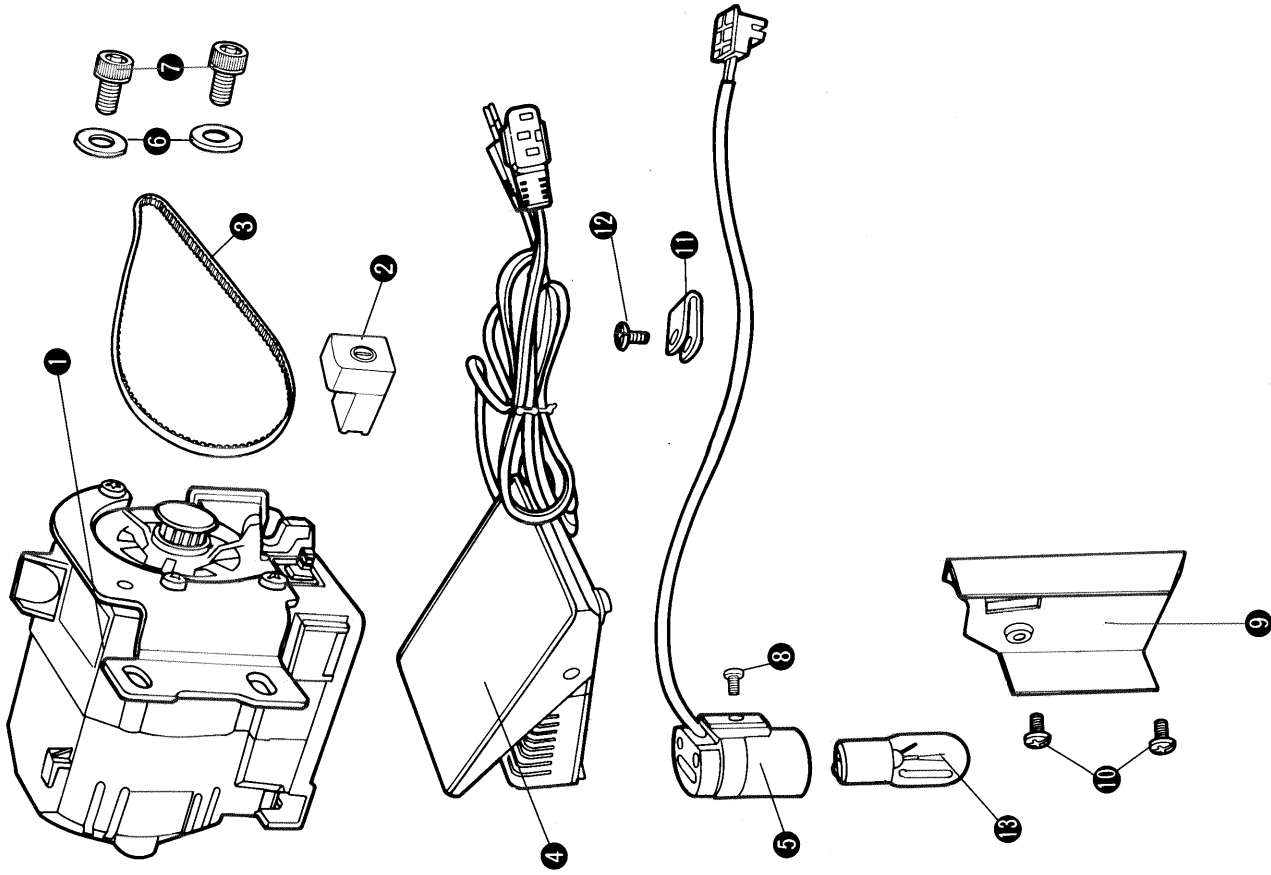
Linker Greifer
Left lopper
Boucleur gauche
Garfio izquierdo
Crochet sinistro



Bestell-Nr.
Part No.
Les références
No. d'ordinazione
N° de pedido

1	=	29-924 993-00-000	11	=	29-924 993-70-184
2	=	29-924 992-97-000	12	=	29-924 990-06-000
3	=	29-924 992-96-000	13	=	29-924 993-70-182
4	=	29-924 992-95-000	14	=	29-924 993-70-005
5	=	29-924 992-98-000	15	=	29-924 993-70-188
6	=	29-924 990-11-000	16	=	29-924 992-72-000
7	=	29-924 993-70-062	17	=	29-924 991-91-000
8	=	29-924 992-86-000	18	=	29-924 992-01-000
9	=	29-924 993-18-000	19	=	29-924 991-93-000
10	=	29-924 990-06-000	20	=	29-924 992-72-000

Motor / Anlasser / Einbauleuchte
Motor / foot control / built-in lamp
Moteur / Rhéostat à pédale / Lampe d'éclairage incorporée
Motor / Pedal de arranque / Lámpara incorporada
Motore / Reostato a pedale / Lampadina incorporata



Bestell-Nr.

Part No.

Les références

No. d'ordinazione

N° de pedido

- | | |
|-------------------------------------|---------------------------------|
| ① = 902-1002-010 (220 V UUS 2103) | ⑥ = 29-924 993-70-025 |
| 902-1002-013 (120 V UUS 2133) | ⑦ = 29-924 993-70-020 |
| 902-1002-011 (240 V UUS 2113) | ⑧ = 29-924 993-70-022 |
| ② = 92-324 848-55-000 | ⑨ = 29-924 993-70-266 |
| ③ = 92-326 871-05-000 | ⑩ = 29-924 993-70-002 |
| ④ = 902-2006-901 (220 V) | ⑪ = 29-924 993-70-267 |
| 902-2006-903 (110 V) | ⑫ = 29-924 993-70-002 |
| 902-2006-906 (240 V) | ⑬ = 70-251 652-01-000 (220 V) |
| 902-2300-901 (220 V Elektronik) | 70-251 651-71-000 (120 V) |
| 902-2300-903 (110 V Elektronik) | |
| 902-2300-906 (240 V Elektronik) | |
| ⑤ = 902-3304-001 (220 V) | |
| 902-3304-003 (120 V) | |
| 902-3304-004 (240 V) | |

Garnrollenständer
Thread stand
Porte-bobines
Portacarretes
Porta-rocchetti

Bestell-Nr.

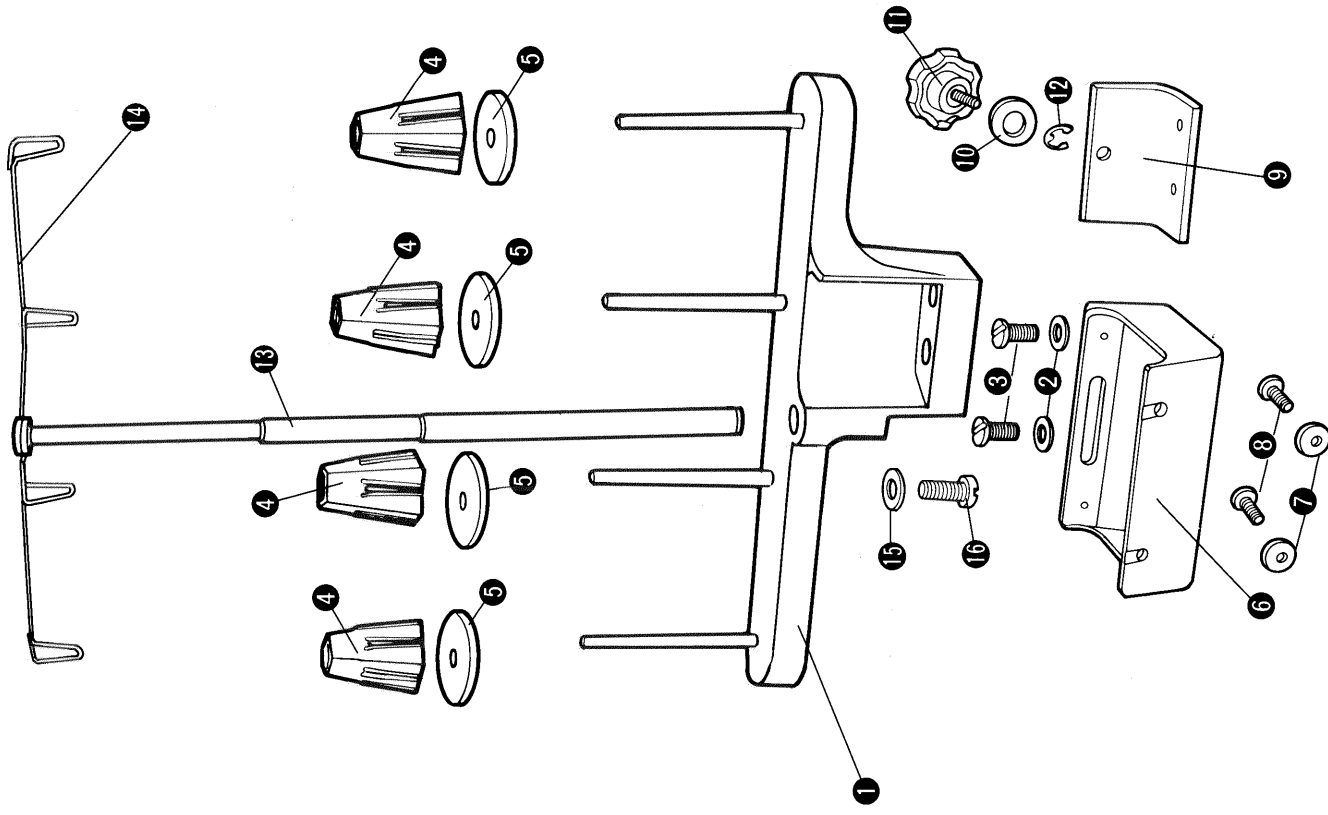
Part No.

Les références

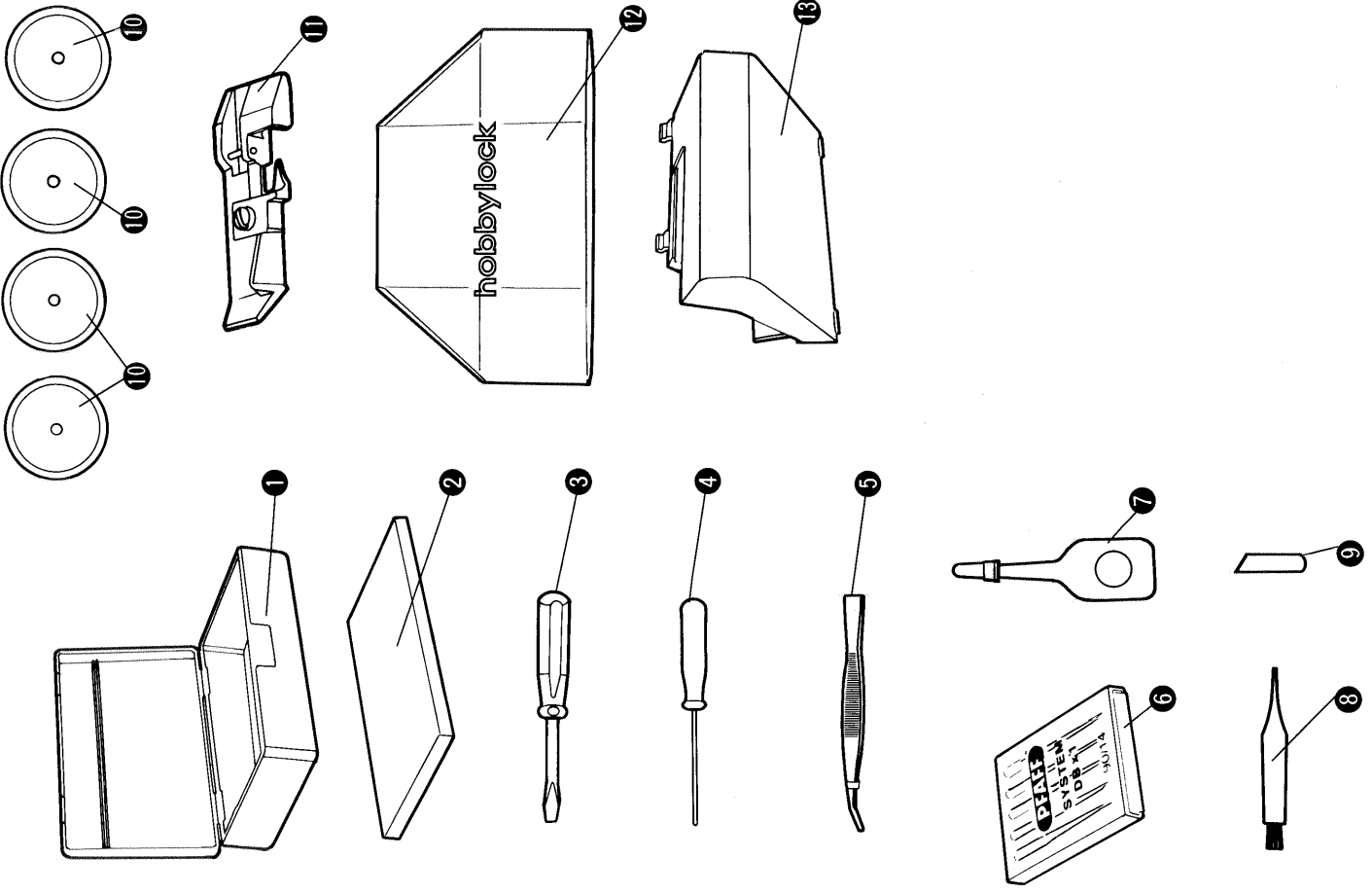
No. d'ordinazione

N° de pedido

- ① = 29-924 993-12-000
- ② = 29-924 993-70-029
- ③ = 29-924 993-70-019
- ④ = 29-924 993-70-080
- ⑤ = 29-924 993-70-226
- ⑥ = 29-924 993-70-221
- ⑦ = 29-924 993-70-031
- ⑧ = 29-924 990-25-000
- ⑨ = 29-924 993-70-220
- ⑩ = 29-924 993-70-024
- ⑪ = 29-924 993-70-225
- ⑫ = 29-924 993-70-037
- ⑬ = 29-924 993-26-000
- ⑭ = 29-924 993-70-070
- ⑮ = 29-924 991-85-000
- ⑯ = 29-924 993-54-000



Zubehör
Accessories
Accessoires
Accesorios
Accessori



- Bestell-Nr.**
Part No.
Les références
No. d'ordinazione
N° de pedido
- ① = 29-924 993-70-245
 - ② = 29-924 993-70-251
 - ③ = 29-924 993-70-247
 - ④ = 29-924 993-70-248
 - ⑤ = 29-924 993-70-083
 - ⑥ = 49-062 984-31-000
 - ⑦ = 29-924 993-70-250
 - ⑧ = 29-924 993-70-249
 - ⑨ = 29-924 992-56-100
 - ⑩ = 29-924 993-70-081
 - ⑪ = 29-924 993-70-173
 - ⑫ = 29-924 993-70-252
 - ⑬ = 29-924 993-64-000

Gehäuse-Abdeckungen / Oberfadenspannung
Housing covers / top feed tension
Caches / Tension supérieure
Tapas de la carcasa / Tensión del hilo superior
Coperchi del carter / Tensione superiore

