

PFAFF

hobbylock

787, 788 4760

Teileliste

List of spare parts

Liste des pièces détachées

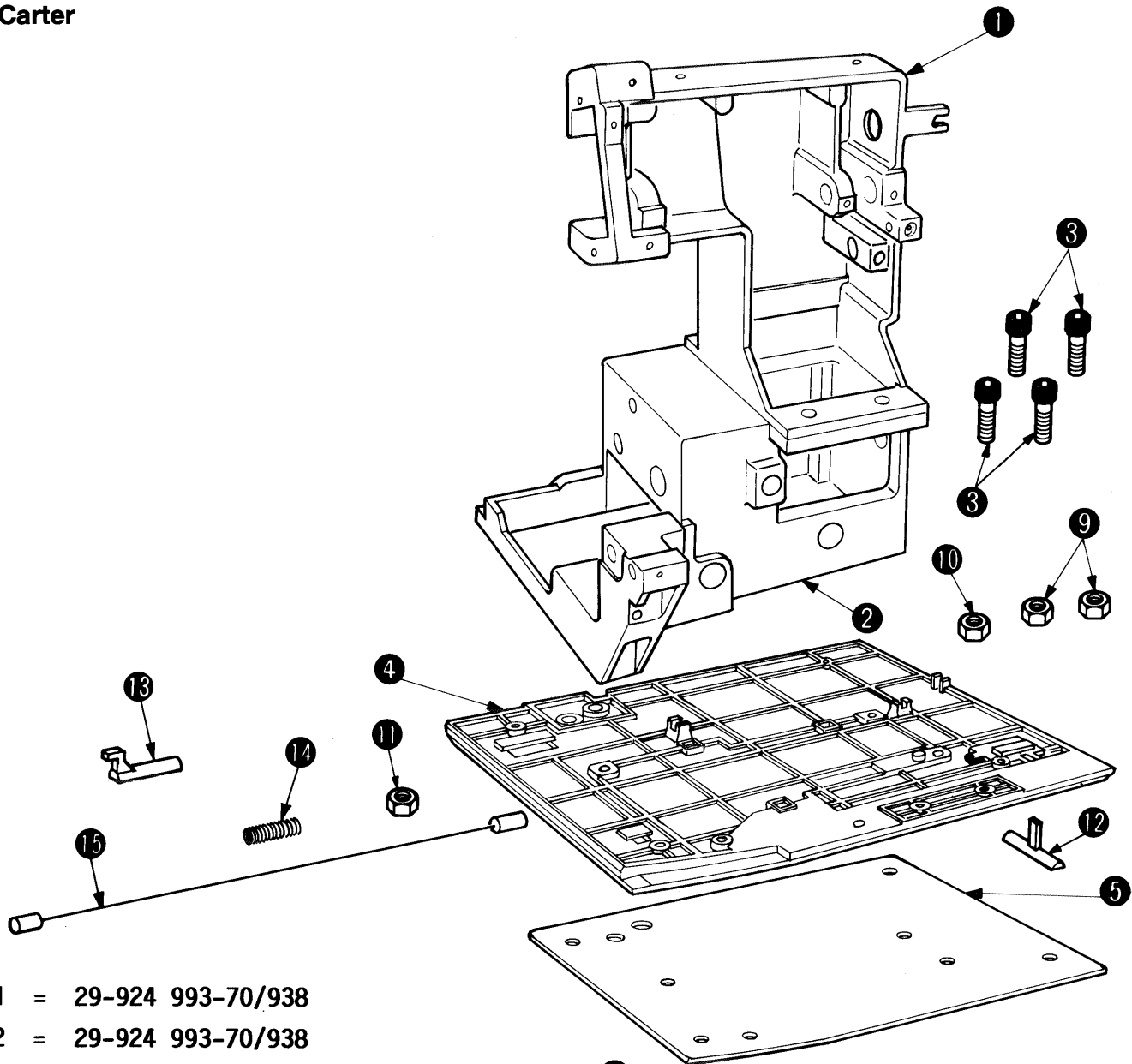
Catalogo pezzi staccati

Lista de piezas de repuesto

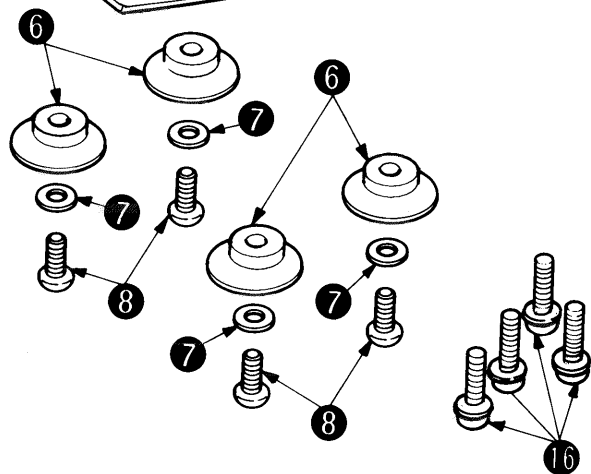
Gehäuse
Housing
Carcasse
Carcasa
Carter

hobbylock 787/788

1



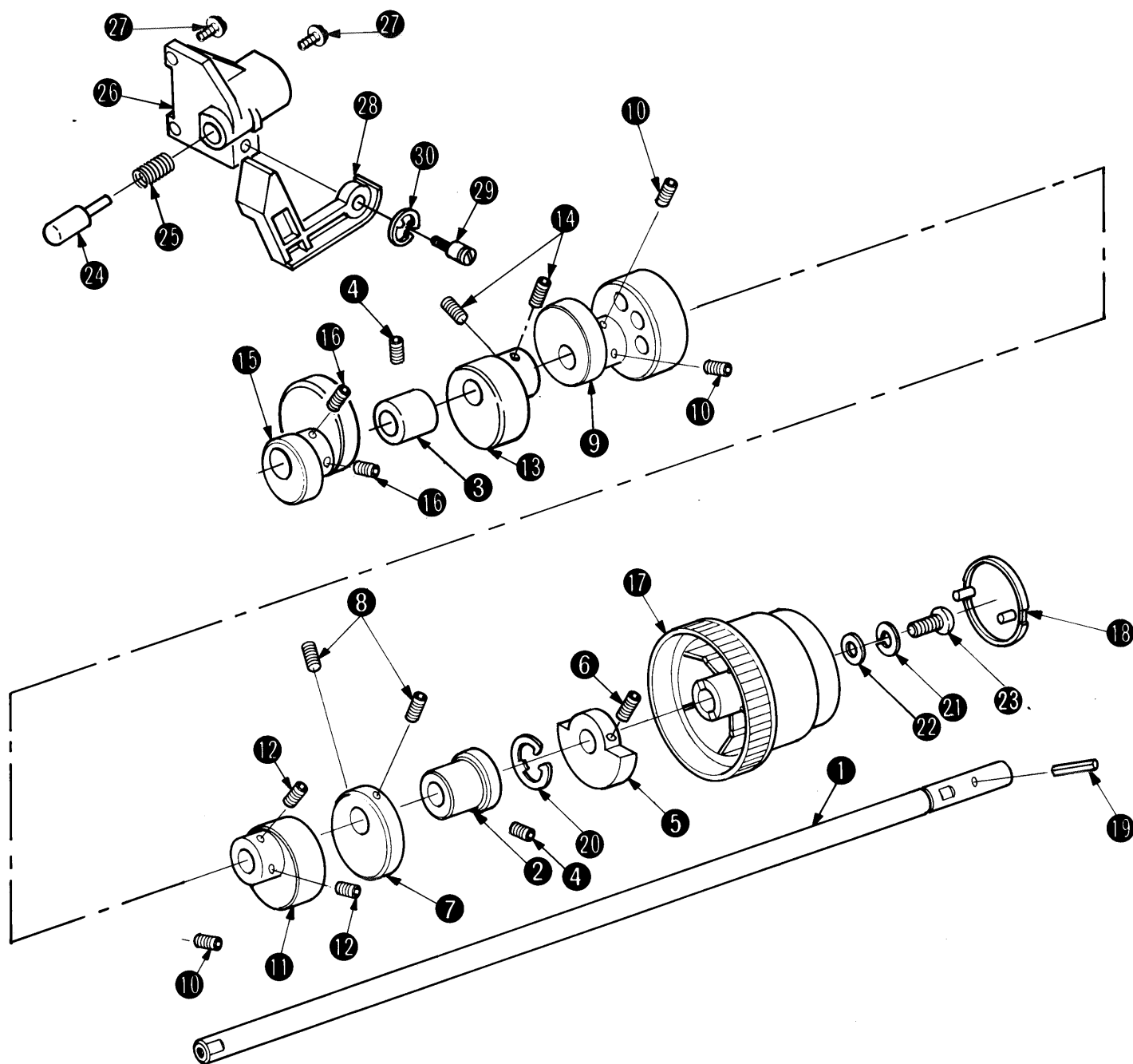
- 1 = 29-924 993-70/938
- 2 = 29-924 993-70/938
- 3 = 29-924 993-70/586
- 4 = 29-924 993-70/940
- 5 = 29-924 993-70/588
- 6 = 29-924 993-70/941
- 7 = 29-924 993-70/310
- 8 = 29-924 993-70/090
- 9 = 29-924 990-24/000
- 10 = 29-924 990-24/000
- 11 = 29-924 990-24/000
- 12 = 29-924 993-70/942
- 13 = 29-924 993-70/943
- 14 = 29-924 993-70/944
- 15 = 29-924 993-70/945
- 16 = 29-924 993-70/946



Armwelle
Arm shaft
Arbre de bras
Eje del brazo
Albero del braccio

hobbylock 787/788

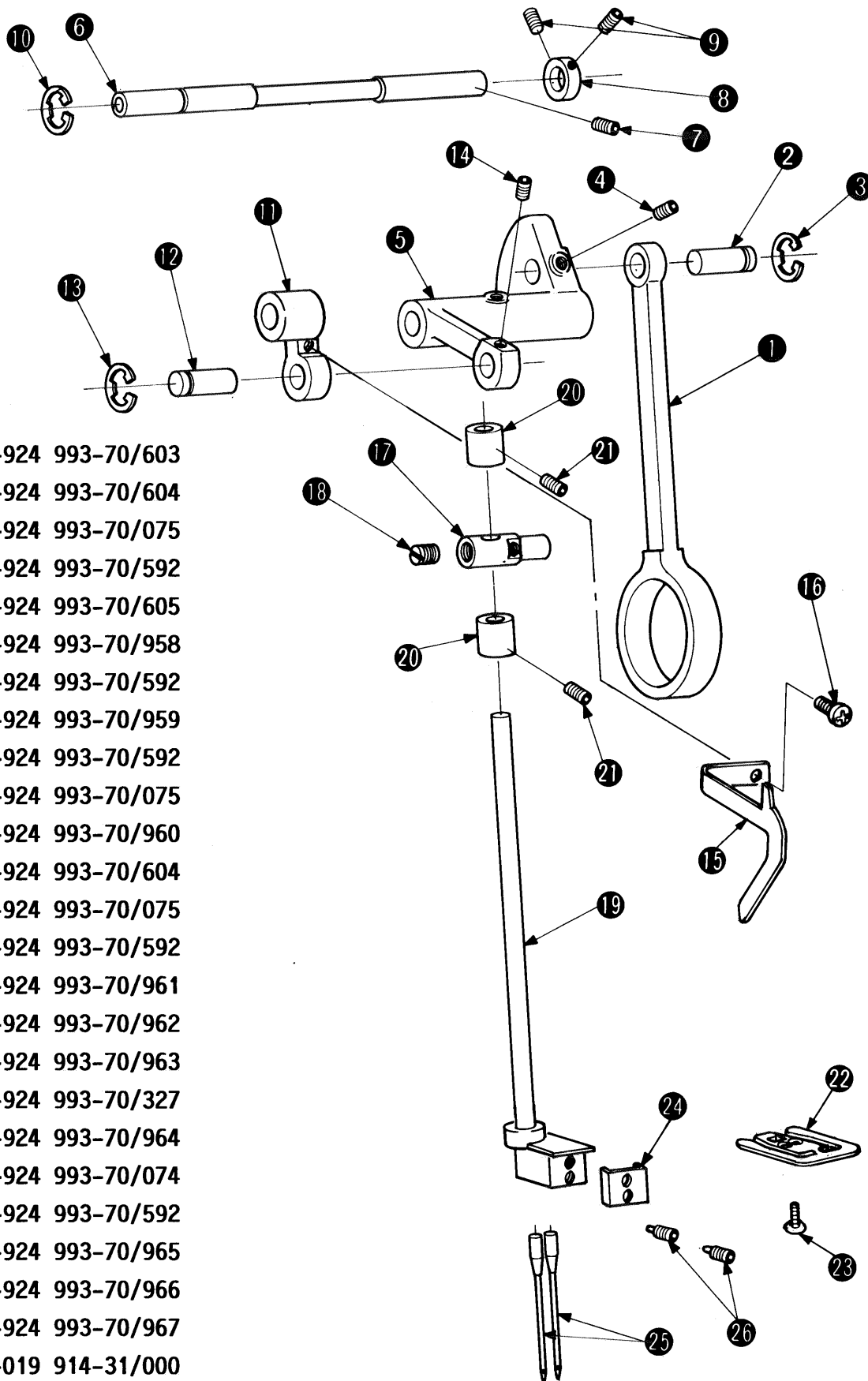
2



1 = 29-924 993-70/590	11 = 29-924 993-70/595	21 = 29-924 993-70/601
2 = 29-924 993-15/000	12 = 29-924 993-70/592	22 = 29-924 993-70/602
3 = 29-924 993-70/591	13 = 29-924 993-70/596	23 = 29-924 993-70/321
4 = 29-924 993-70/592	14 = 29-924 993-70/592	24 = 29-924 993-70/951
5 = 29-924 993-70/593	15 = 29-924 993-70/948	25 = 29-924 993-70/952
6 = 29-924 993-70/592	16 = 29-924 993-70/592	26 = 29-924 993-70/953
7 = 29-924 993-70/598	17 = 29-924 993-70/949	27 = 29-924 993-70/954
8 = 29-924 993-70/592	18 = 29-924 993-70/950	28 = 29-924 993-70/955
9 = 29-924 993-70/947	19 = 29-924 993-70/043	
10 = 29-924 993-70/592	20 = 29-924 993-70/042	

Nadelstange mit Antrieb
Needle bar with drive
Barre à aiguille avec commande
Barra de aguja con accionamiento
Barra d'ago con comando

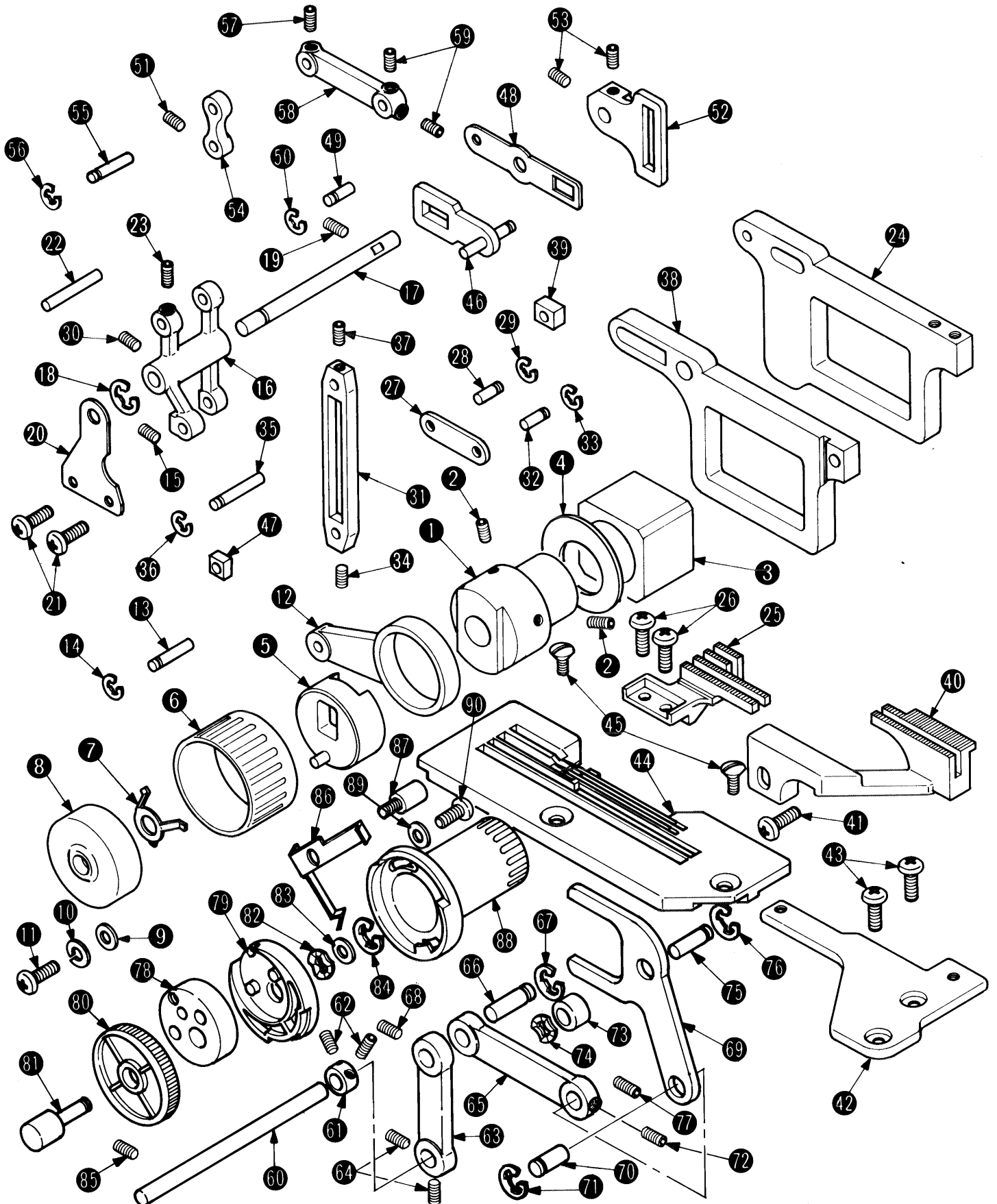
hobbylock 787/788



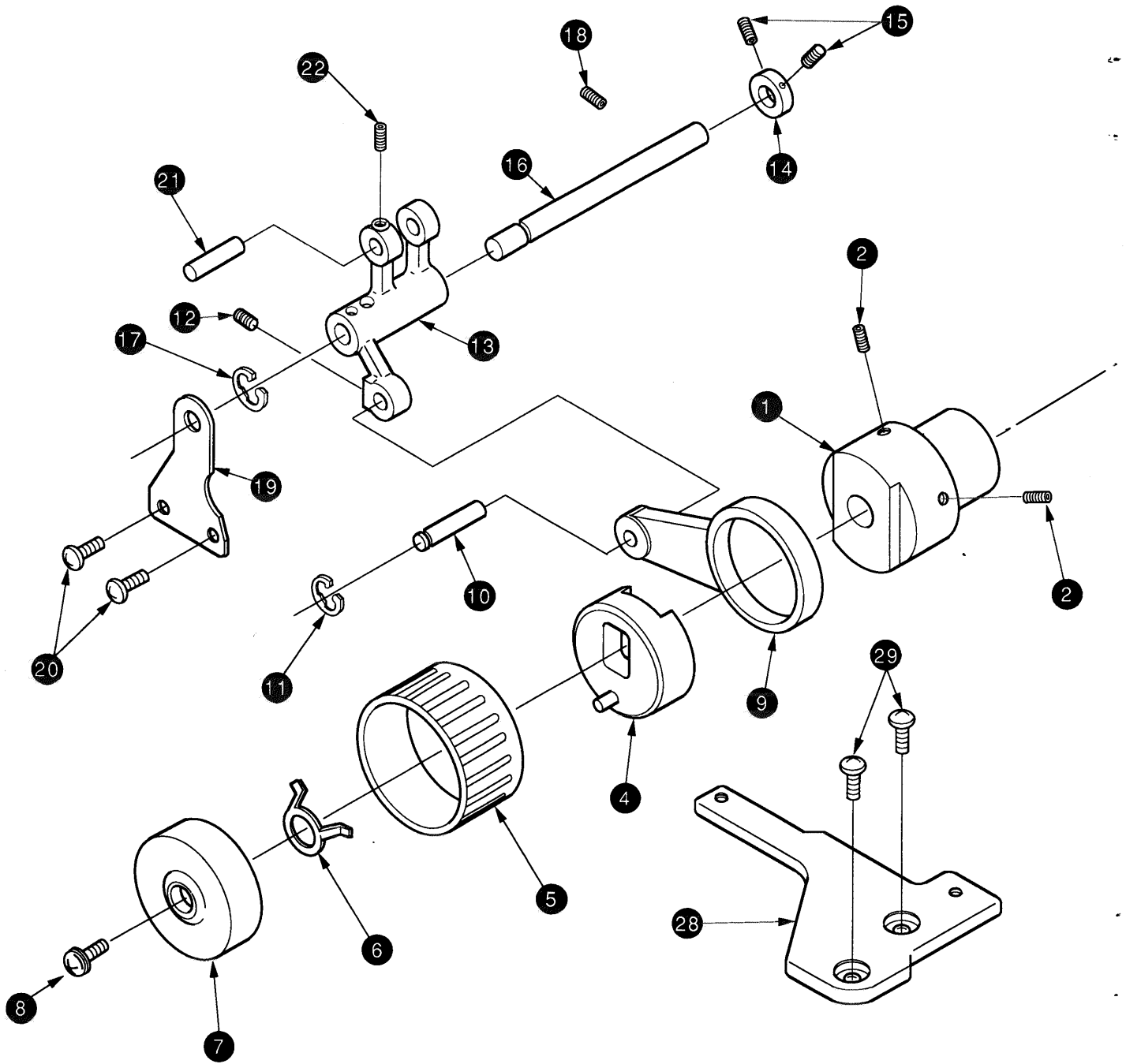
- 1 = 29-924 993-70/603
- 2 = 29-924 993-70/604
- 3 = 29-924 993-70/075
- 4 = 29-924 993-70/592
- 5 = 29-924 993-70/605
- 6 = 29-924 993-70/958
- 7 = 29-924 993-70/592
- 8 = 29-924 993-70/959
- 9 = 29-924 993-70/592
- 10 = 29-924 993-70/075
- 11 = 29-924 993-70/960
- 12 = 29-924 993-70/604
- 13 = 29-924 993-70/075
- 14 = 29-924 993-70/592
- 15 = 29-924 993-70/961
- 16 = 29-924 993-70/962
- 17 = 29-924 993-70/963
- 18 = 29-924 993-70/327
- 19 = 29-924 993-70/964
- 20 = 29-924 993-70/074
- 21 = 29-924 993-70/592
- 22 = 29-924 993-70/965
- 23 = 29-924 993-70/966
- 24 = 29-924 993-70/967
- 25 = 49-019 914-31/000
- 26 = 29-924 993-70/968

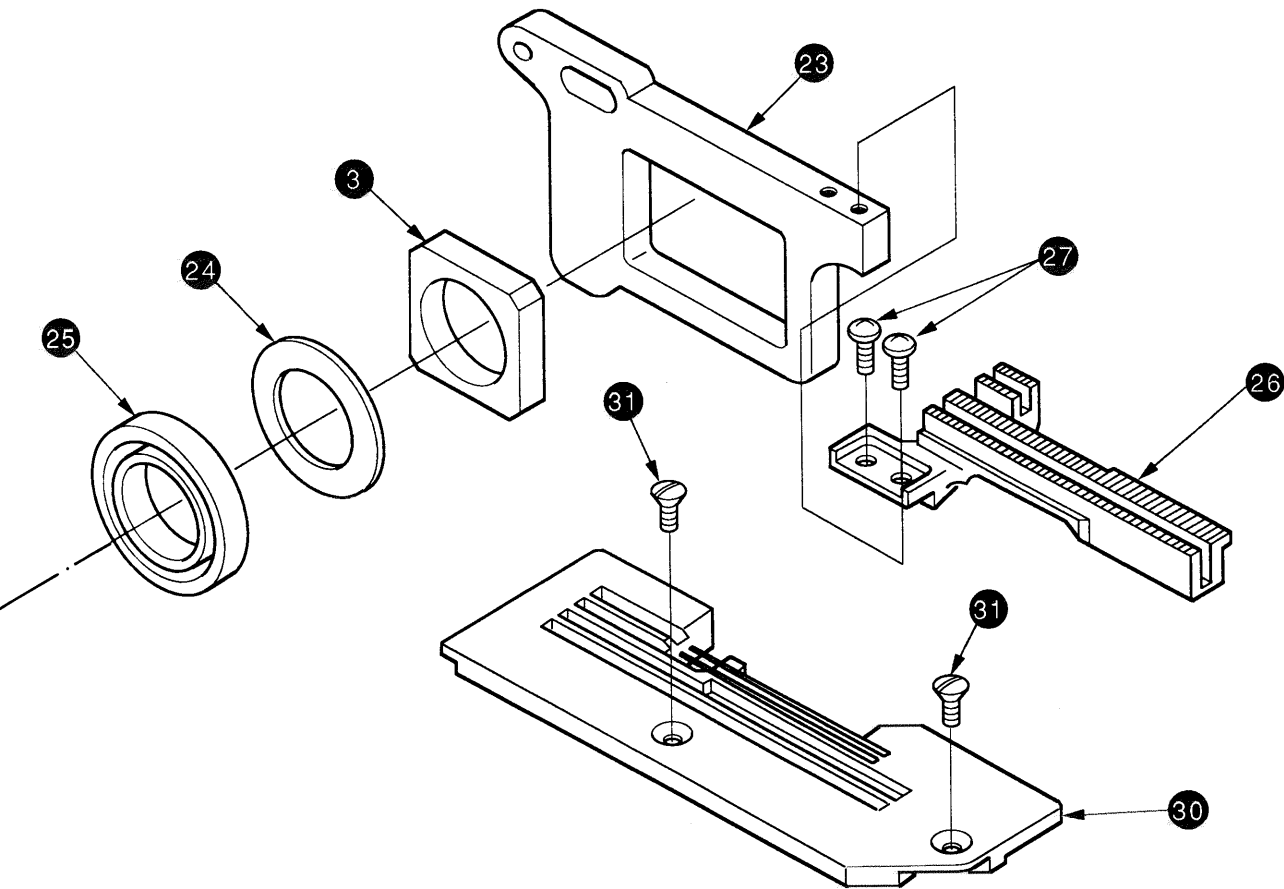
Transport-Einrichtung
Feeding mechanism
Système d'entraînement
Mecanismo de arrastre
Meccanismo di trasporto

hobbylock 788



1 = 29-924 993-70/969	31 = 29-924 993-70/800	61 = 29-924 993-70/926
2 = 29-924 993-70/592	32 = 29-924 993-70/799	62 = 29-924 993-70/592
3 = 29-924 993-70/616	33 = 29-924 993-70/402	63 = 29-924 993-70/811
4 = 29-924 993-70/970	34 = 29-924 993-70/592	64 = 29-924 993-70/592
5 = 29-924 993-70/971	35 = 29-924 993-70/623	65 = 29-924 993-70/812
6 = 29-924 993-70/792	36 = 29-924 993-70/402	66 = 29-924 993-70/808
7 = 29-924 993-70/619	37 = 29-924 993-70/592	67 = 29-924 993-70/402
8 = 29-924 993-70/972	38 = 29-924 993-70/801	68 = 29-924 993-70/592
9 = 29-924 993-70/364	39 = 29-924 993-70/802	69 = 29-924 993-70/813
10 = 29-924 993-70/023	40 = 29-924 993-70/975	70 = 29-924 993-70/799
11 = 29-924 993-70/684	41 = 29-924 993-70/621	71 = 29-924 993-70/402
12 = 29-924 993-70/973	42 = 29-924 993-70/632	72 = 29-924 993-70/592
13 = 29-924 993-70/127	43 = 29-924 993-70/627	73 = 29-924 993-70/927
14 = 29-924 993-70/402	44 = 29-924 993-70/871	74 = 29-924 993-70/144
15 = 29-924 993-70/592	45 = 29-924 993-70/384	75 = 29-924 993-70/064
16 = 29-924 993-70/794	46 = 29-924 993-70/804	76 = 29-924 993-70/066
17 = 29-924 993-70/795	47 = 29-924 993-70/802	77 = 29-924 993-70/592
18 = 29-924 993-70/075	48 = 29-924 993-70/805	78 = 29-924 993-70/928
19 = 29-924 993-70/592	49 = 29-924 993-70/799	79 = 29-924 993-70/929
20 = 29-924 993-70/626	50 = 29-924 993-70/402	80 = 29-924 993-70/930
21 = 29-924 993-70/627	51 = 29-924 993-70/592	81 = 29-924 993-70/931
22 = 29-924 993-70/796	52 = 29-924 993-70/806	82 = 29-924 993-70/144
23 = 29-924 993-70/592	53 = 29-924 993-70/592	83 = 29-924 993-70/025
24 = 29-924 993-70/974	54 = 29-924 993-70/807	84 = 29-924 993-70/066
25 = 29-924 993-70/797	55 = 29-924 993-70/808	85 = 29-924 993-70/592
26 = 29-924 993-70/630	56 = 29-924 993-70/402	86 = 29-924 993-70/932
27 = 29-924 993-70/798	57 = 29-924 993-70/592	87 = 29-924 993-70/933
28 = 29-924 993-70/799	58 = 29-924 993-70/811	88 = 29-924 993-70/976
29 = 29-924 993-70/402	59 = 29-924 993-70/592	89 = 29-924 993-70/367
30 = 29-924 993-70/592	60 = 29-924 993-70/810	90 = 29-924 993-70/934



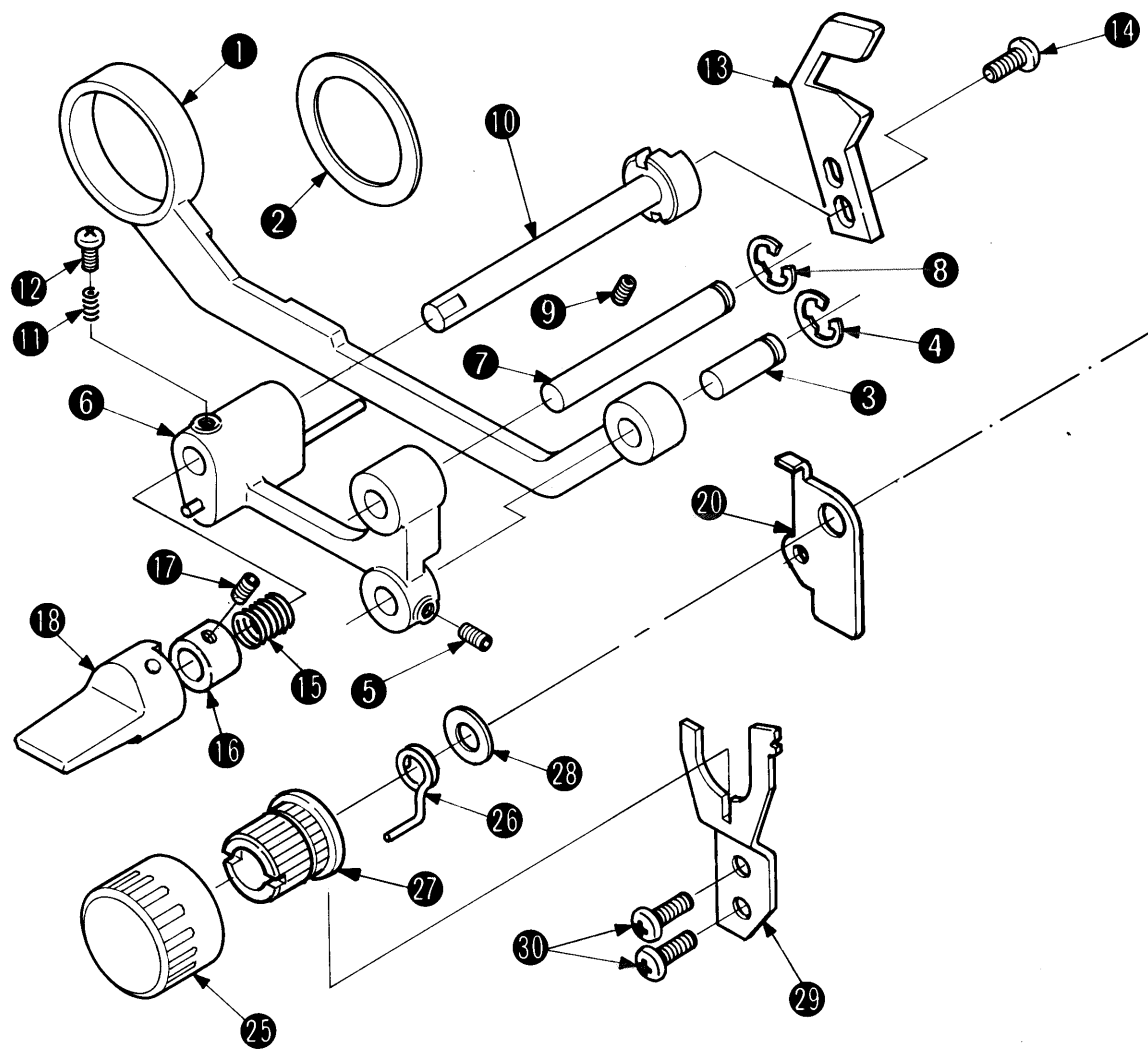


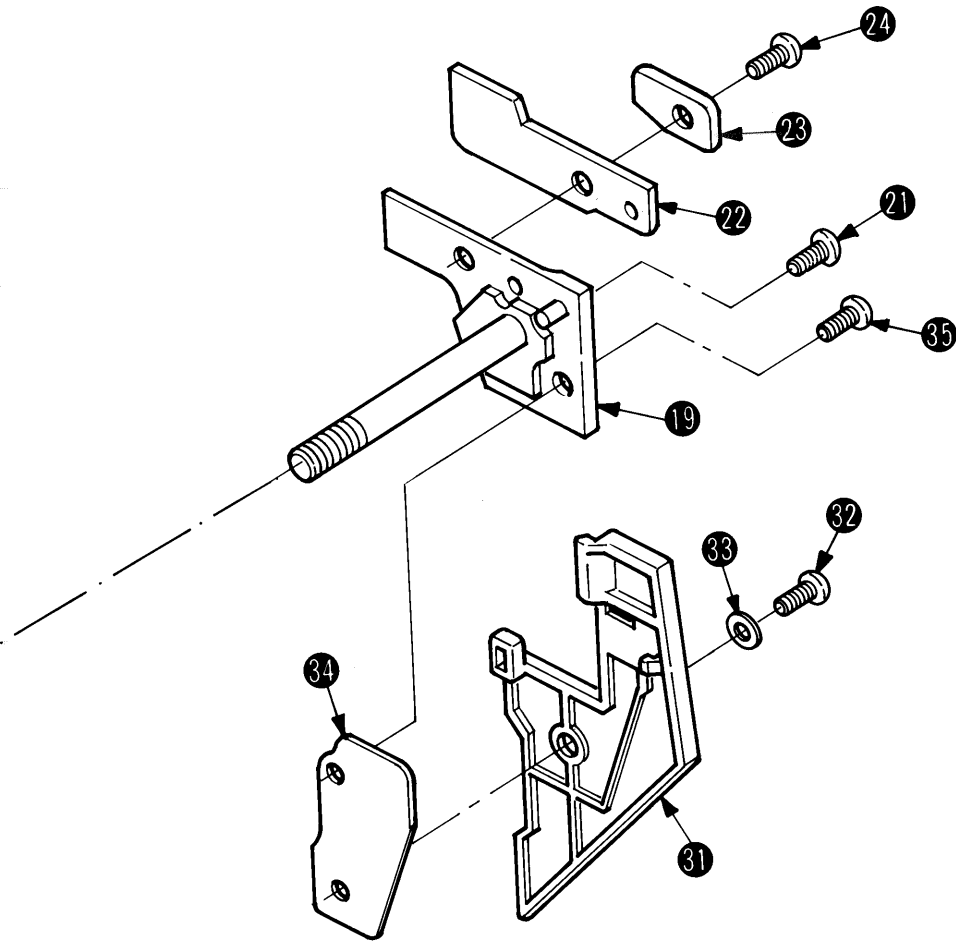
- | | |
|------------------------|------------------------|
| 1 = 29-924 993-70/969 | 17 = 29-924 993-70/075 |
| 2 = 29-924 993-70/592 | 18 = 29-924 993-70/592 |
| 3 = 29-924 993-70/957 | 19 = 29-924 993-70/626 |
| 4 = 29-924 993-70/971 | 20 = 29-924 993-70/627 |
| 5 = 29-924 993-70/618 | 21 = 29-924 993-70/335 |
| 6 = 29-924 993-70/619 | 22 = 29-924 993-70/592 |
| 7 = 29-924 993-71/001 | 23 = 29-924 993-70/974 |
| 8 = 29-924 993-70/989 | 24 = 29-924 993-70/970 |
| 9 = 29-924 993-70/973 | 25 = 29-924 993-71/002 |
| 10 = 29-924 993-70/623 | 26 = 29-924 993-71/013 |
| 11 = 29-924 993-70/402 | 27 = 29-924 993-70/630 |
| 12 = 29-924 993-70/592 | 28 = 29-924 993-70/632 |
| 13 = 29-924 993-70/624 | 29 = 29-924 993-70/627 |
| 14 = 29-924 993-70/917 | 30 = 29-924 993-70/871 |
| 15 = 29-924 993-70/592 | 31 = 29-924 993-70/334 |
| 16 = 29-924 993-70/625 | |

Ober- und Untermesser
Upper and lower knife
Couteau supérieur et inférieur
Cuchilla superior e inferior
Coltello superiore ed inferiore

hobbylock 787/788

6



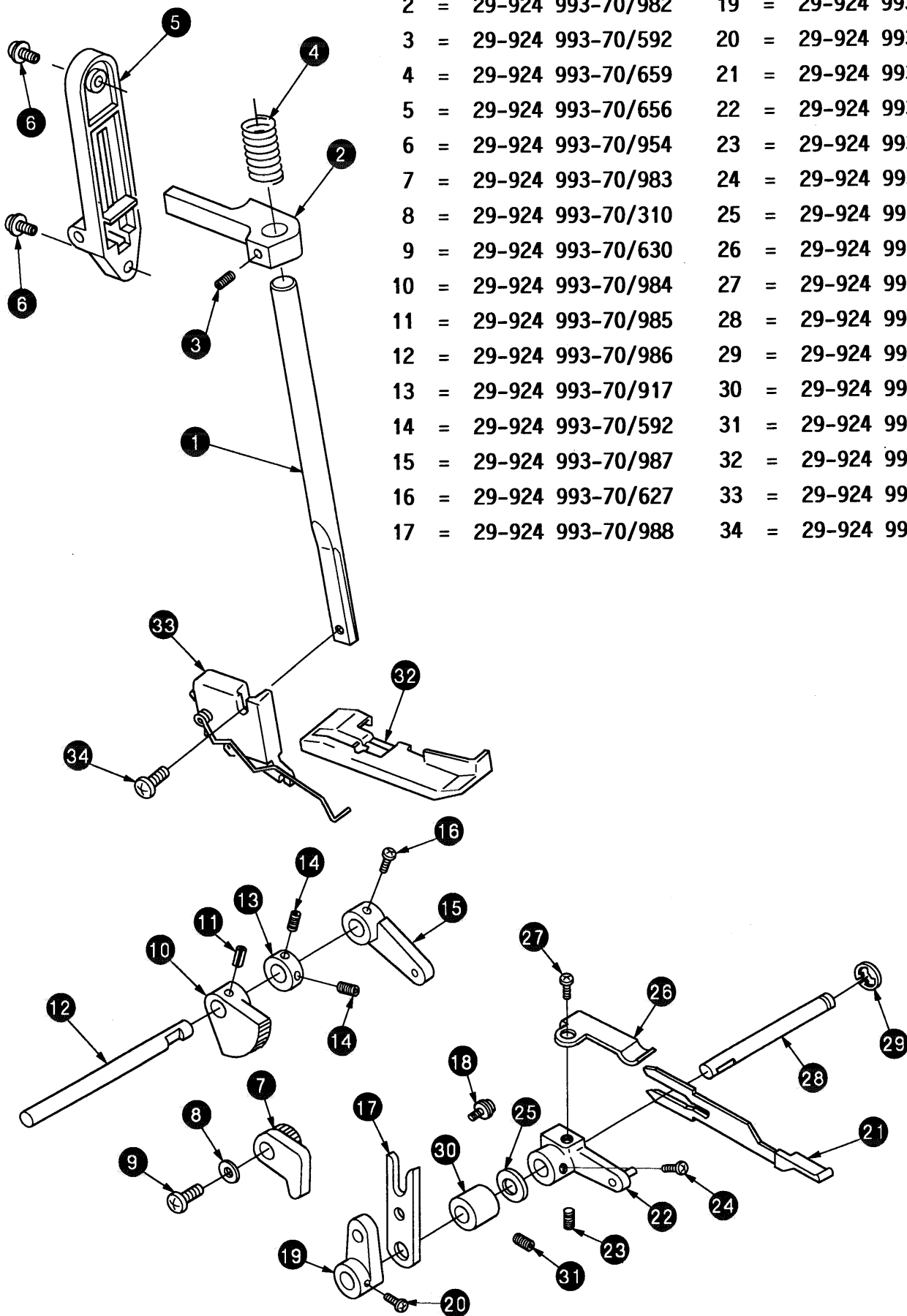


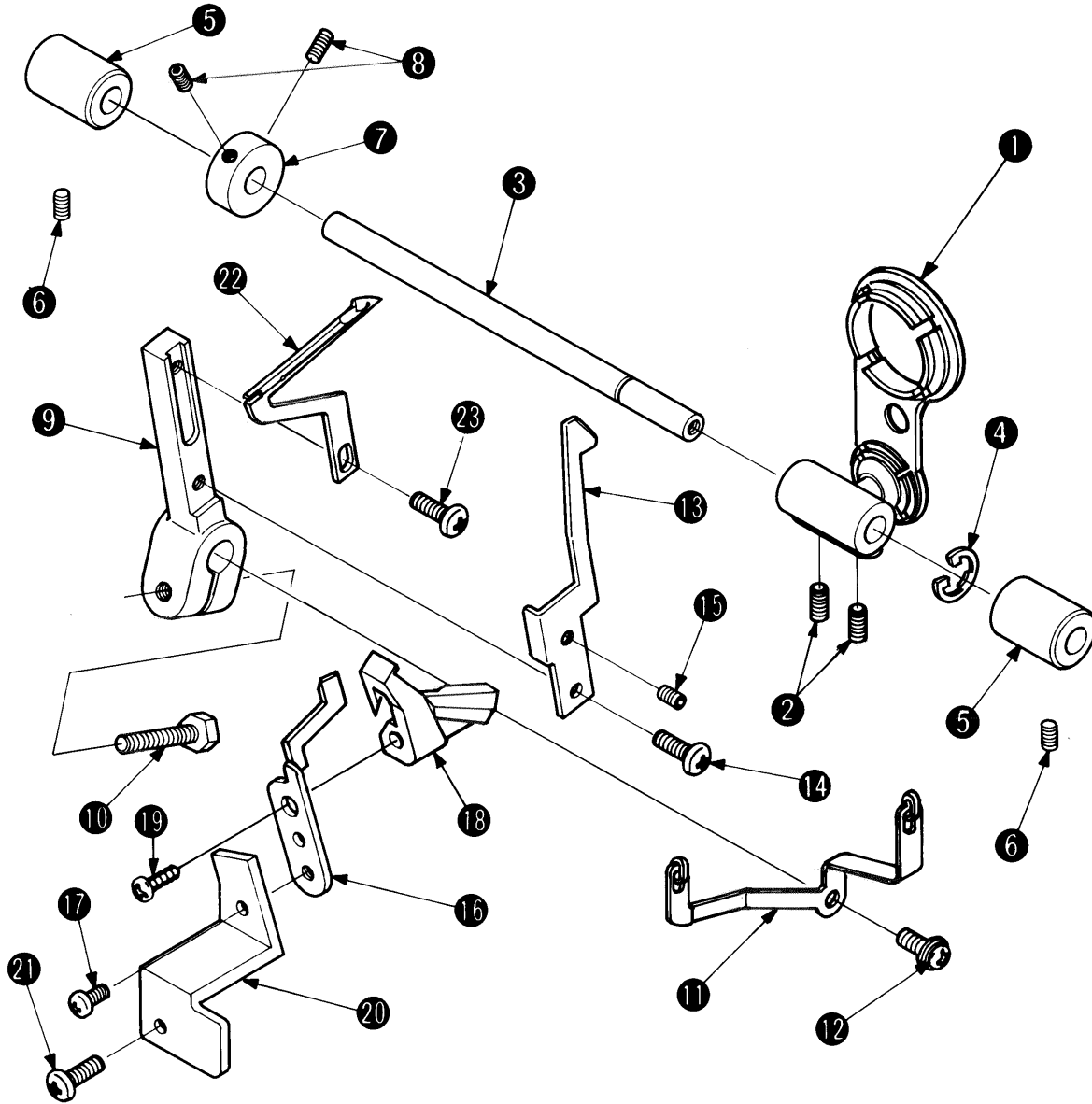
- | | | |
|------------------------|------------------------|------------------------|
| 1 = 29-924 993-70/634 | 13 = 29-924 993-70/641 | 25 = 29-924 993-70/980 |
| 2 = 29-924 993-70/635 | 14 = 29-924 993-70/621 | 26 = 29-924 993-70/919 |
| 3 = 29-924 993-70/636 | 15 = 29-924 993-70/643 | 27 = 29-924 993-70/920 |
| 4 = 29-924 993-70/066 | 16 = 29-924 993-70/978 | 28 = 29-924 993-70/921 |
| 5 = 29-924 993-70/592 | 17 = 29-924 993-70/592 | 29 = 29-924 993-70/981 |
| 6 = 29-924 993-70/977 | 18 = 29-924 993-70/979 | 30 = 29-924 993-70/627 |
| 7 = 29-924 993-70/638 | 19 = 29-924 993-70/867 | 31 = 29-924 993-70/653 |
| 8 = 29-924 993-70/066 | 20 = 29-924 993-70/864 | 32 = 29-924 993-70/648 |
| 9 = 29-924 993-70/592 | 21 = 29-924 993-70/934 | 33 = 29-924 993-70/367 |
| 10 = 29-924 993-70/639 | 22 = 29-924 993-70/876 | 34 = 29-924 993-70/892 |
| 11 = 29-924 993-70/135 | 23 = 29-924 993-70/650 | 35 = 29-924 993-70/648 |
| 12 = 29-924 993-70/640 | 24 = 29-924 993-70/621 | |

Stoffdrückerstange mit Nähfuß
 Presser bar with presser foot
 Barre presse-tissu avec pied
 Barra del prensatelas con prensatelas
 Barra premistoffa con piedino

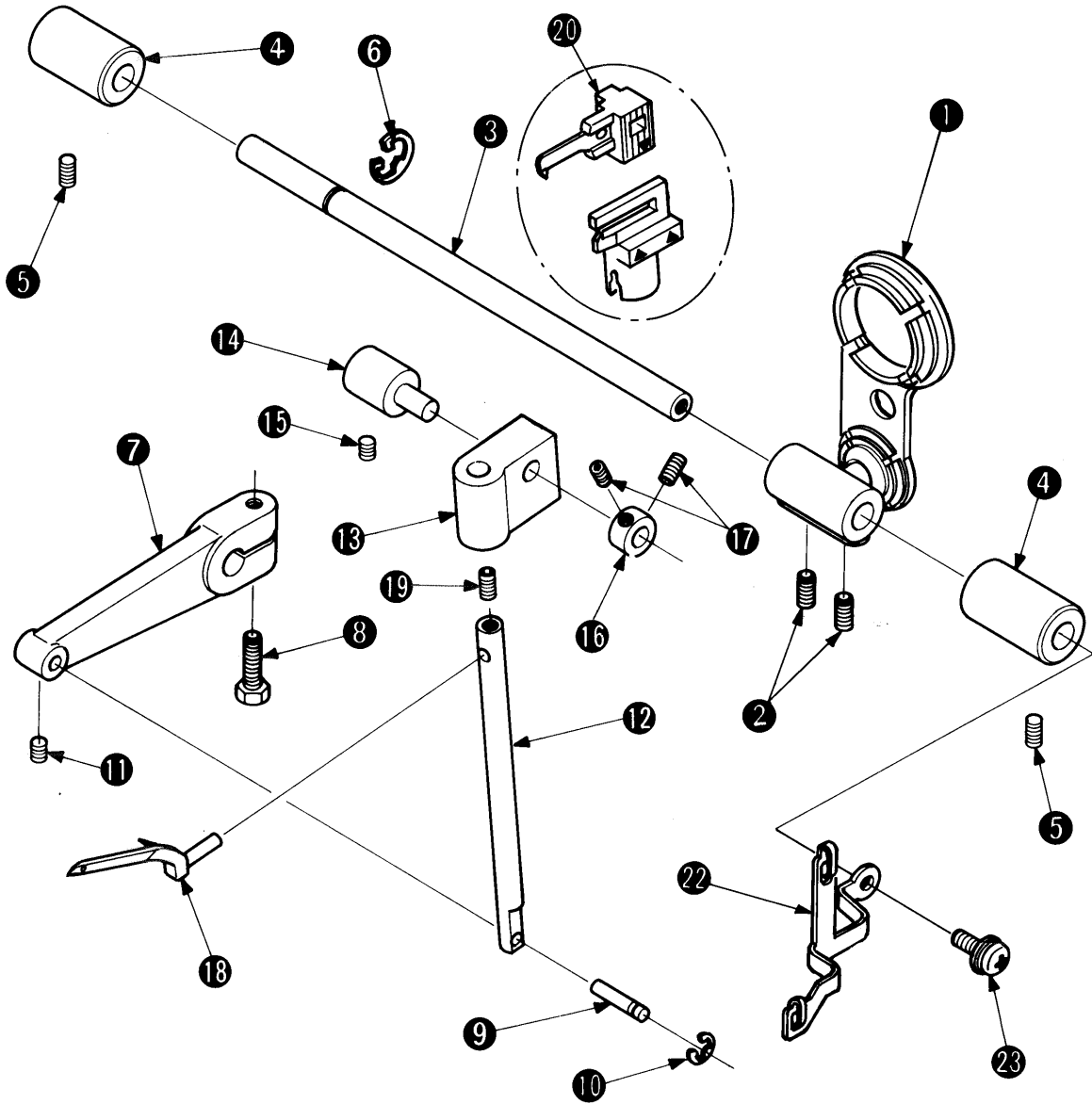
hobbylock 787/788

- | | |
|------------------------|------------------------|
| 1 = 29-924 993-70/654 | 18 = 29-924 993-70/989 |
| 2 = 29-924 993-70/982 | 19 = 29-924 993-70/990 |
| 3 = 29-924 993-70/592 | 20 = 29-924 993-70/627 |
| 4 = 29-924 993-70/659 | 21 = 29-924 993-70/991 |
| 5 = 29-924 993-70/656 | 22 = 29-924 993-70/992 |
| 6 = 29-924 993-70/954 | 23 = 29-924 993-70/592 |
| 7 = 29-924 993-70/983 | 24 = 29-924 993-70/621 |
| 8 = 29-924 993-70/310 | 25 = 29-924 993-70/361 |
| 9 = 29-924 993-70/630 | 26 = 29-924 993-70/993 |
| 10 = 29-924 993-70/984 | 27 = 29-924 993-70/630 |
| 11 = 29-924 993-70/985 | 28 = 29-924 993-70/994 |
| 12 = 29-924 993-70/986 | 29 = 29-924 993-70/075 |
| 13 = 29-924 993-70/917 | 30 = 29-924 993-18/000 |
| 14 = 29-924 993-70/592 | 31 = 29-924 993-70/592 |
| 15 = 29-924 993-70/987 | 32 = 29-924 993-70/660 |
| 16 = 29-924 993-70/627 | 33 = 29-924 993-70/512 |
| 17 = 29-924 993-70/988 | 34 = 29-924 993-70/410 |





1 = 29-924 993-70/995	9 = 29-924 993-70/666	17 = 29-924 993-70/640
2 = 29-924 993-70/592	10 = 29-924 993-70/667	18 = 29-924 993-70/998
3 = 29-924 993-70/665	11 = 29-924 993-70/996	19 = 29-924 993-70/373
4 = 29-924 993-70/075	12 = 29-924 993-70/989	20 = 29-924 993-70/672
5 = 29-924 993-31/000	13 = 29-924 993-71/279	21 = 29-924 993-70/621
6 = 29-924 993-70/592	14 = 29-924 993-70/627	22 = 29-924 993-70/999
7 = 29-924 993-70/917	15 = 29-924 993-70/670	23 = 29-924 993-70/627
8 = 29-924 993-70/592	16 = 29-924 993-70/997	

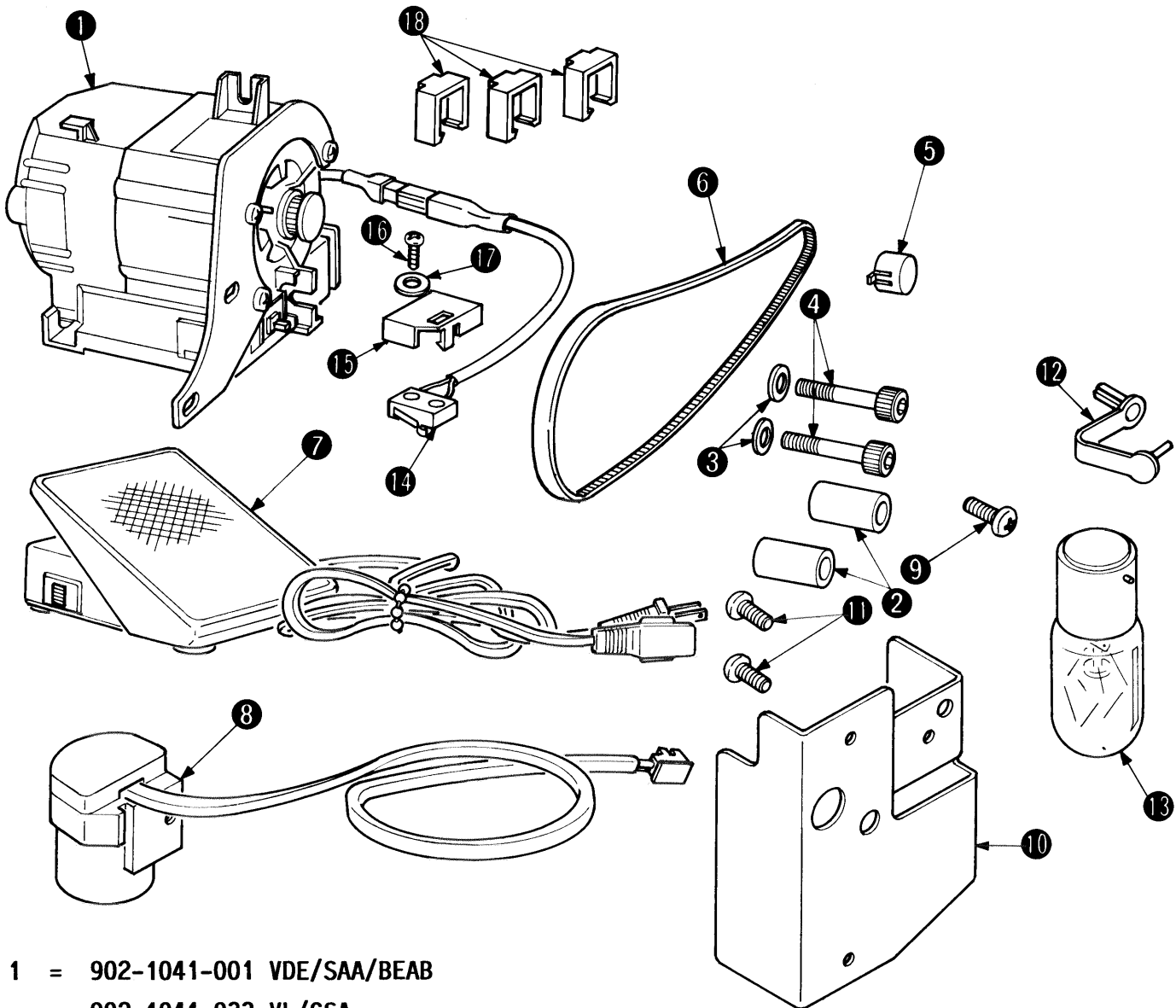


- | | | |
|-----------------------|------------------------|------------------------|
| 1 = 29-924 993-70/995 | 9 = 29-924 993-70/532 | 17 = 29-924 993-70/592 |
| 2 = 29-924 993-70/592 | 10 = 29-924 993-70/465 | 18 = 29-924 993-70/681 |
| 3 = 29-924 993-70/673 | 11 = 29-924 993-70/592 | 19 = 29-924 993-70/592 |
| 4 = 29-924 993-31/000 | 12 = 29-924 993-70/677 | 20 = 29-924 993-70/937 |
| 5 = 29-924 993-70/592 | 13 = 29-924 993-70/678 | 22 = 29-924 993-70/664 |
| 6 = 29-924 993-70/075 | 14 = 29-924 993-70/679 | 23 = 29-924 993-70/989 |
| 7 = 29-924 993-70/676 | 15 = 29-924 993-70/592 | |
| 8 = 29-924 993-70/667 | 16 = 29-924 993-71/001 | |

Motor / Anlasser / Einbauleuchte
 Motor / foot control / built-in lamp
 Moteur / Rhéostat à pédale / Lampe d'éclairage incorporée
 Motor / Pedal de arranque / Lámpara incorporada
 Motore / Reostato a pedale / Lampadina incorporata

hobbylock 787/788

10



1 = 902-1041-001 VDE/SAA/BEAB
 902-1041-033 VL/CSA

a 92-328 651-75

b 12-315 110-25

c 11-190 174-25

2 = 29-924 993-70/784

3 = 29-924 993-70/025

4 = 29-924 993-70/781

5 = 92-328 653-91

6 = 92-326 871-05

7 = 902-2006-911/220 V VDE Standard

902-2300-911/220 V VDE Electronic

902-2300-914/220 V/240 V SAA Electronic

902-2300-916/220 V/240 V BEAB Electronic

902-2300-913/120 VL/CSA Electronic

8 = 902-3304-001/230 V VDE-BEAB

902-3304-004/240 V SAA

902-3304-013/120 V VL/CSA

9 = 29-924 993-70/370

10 = 29-924 993-70/254

11 = 29-924 993-70/630

12 = 29-924 993-70/255

13 = 70-251 652-01

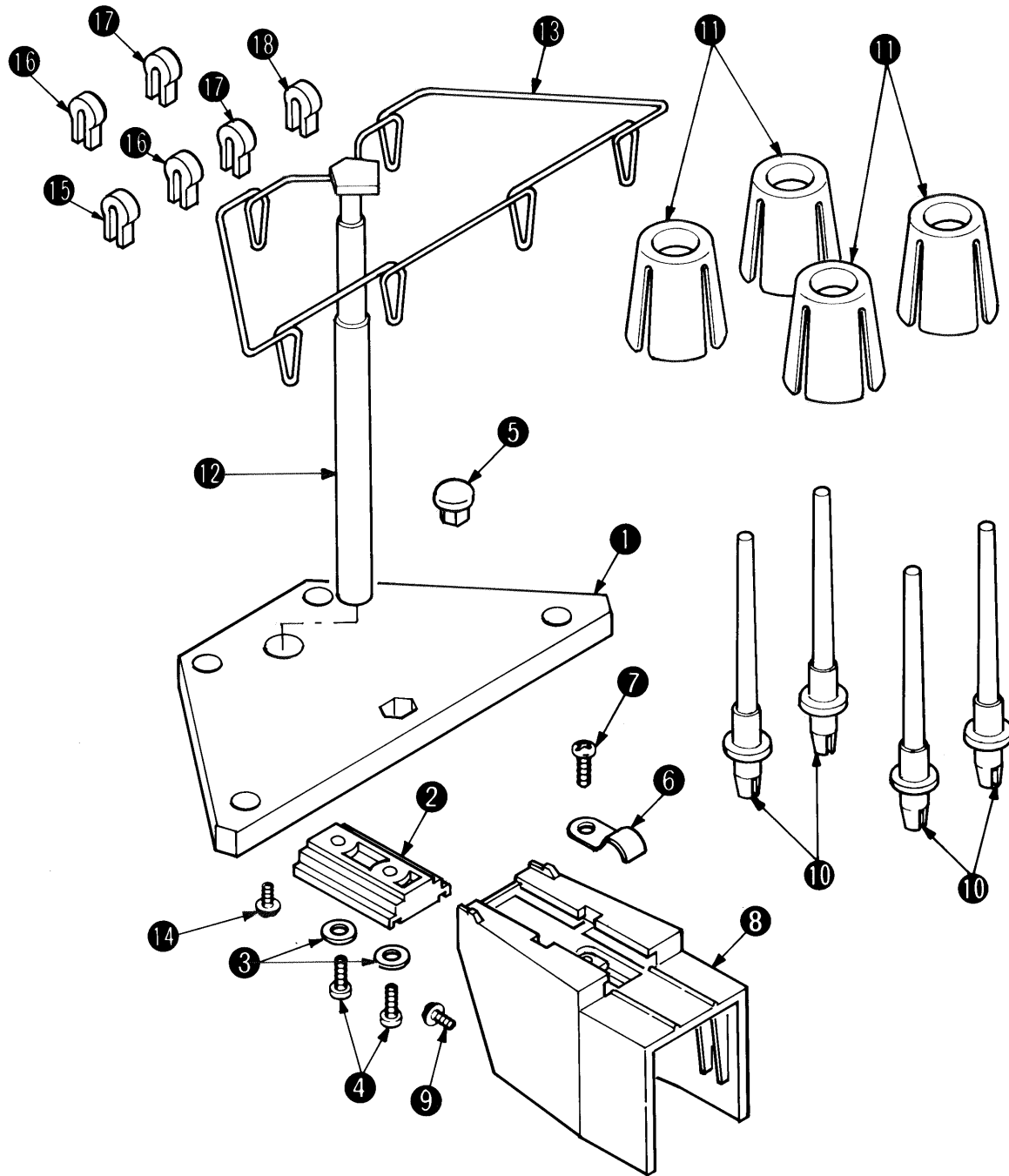
14 = 29-924 993-70/259

15 = 29-924 993-70/260

16 = 29-924 993-71/008

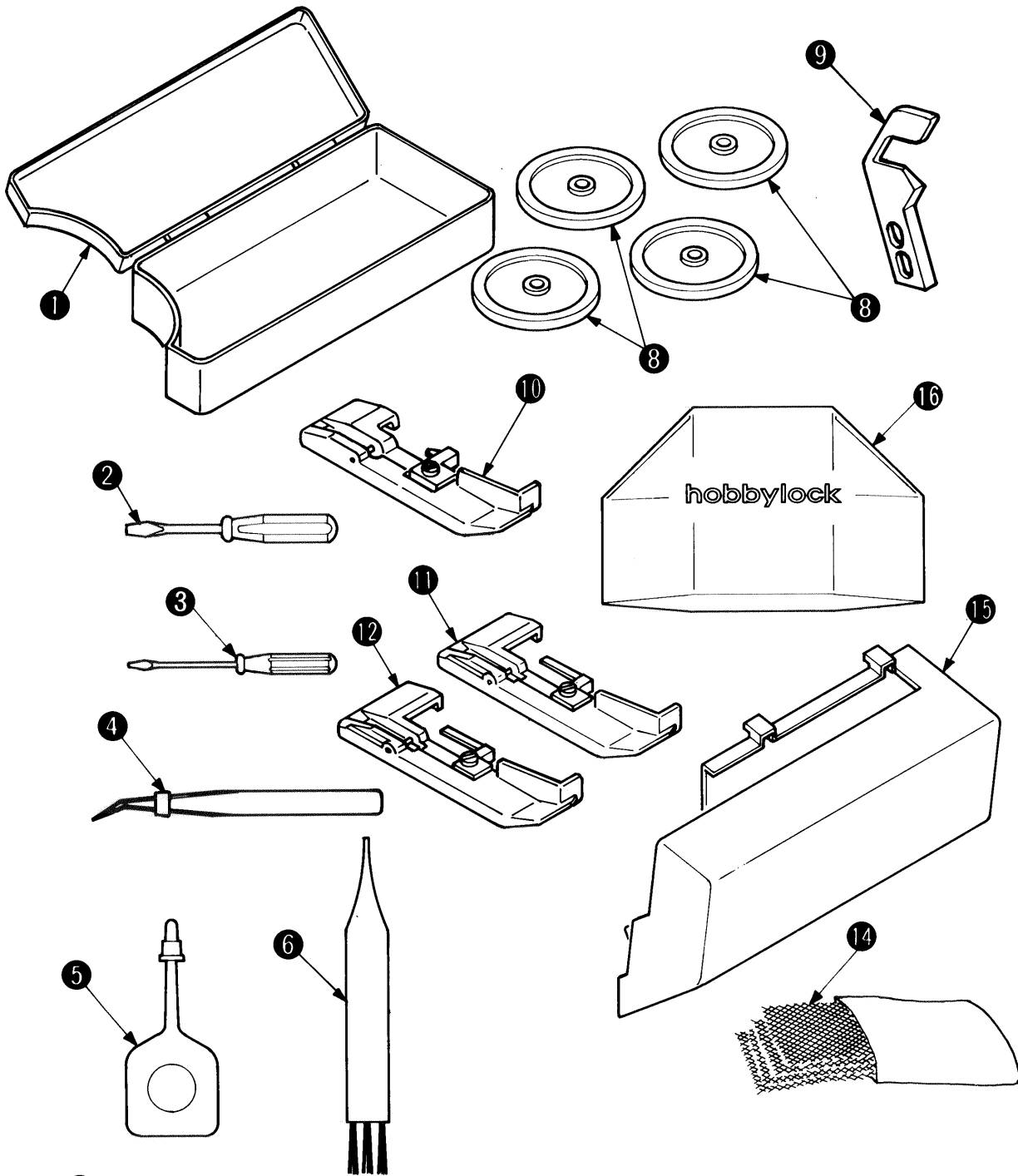
17 = 29-924 993-70/367

18 = 29-924 993-70/261



- 1 = 29-924 993-71/003
- 2 = 29-924 993-71/004
- 3 = 29-924 993-70/367
- 4 = 29-924 993-71/005
- 5 = 29-924 993-71/006
- 6 = 29-924 993-71/007
- 7 = 29-924 993-71/008
- 8 = 29-924 993-71/009
- 9 = 29-924 993-70/954

- 10 = 29-924 993-70/243
- 11 = 29-924 993-70/544
- 12 = 29-924 993-71/010
- 13 = 29-924 993-70/782
- 14 = 29-924 993-70/954
- 15 = 29-924 993-71/066
- 16 = 29-924 993-71/067
- 17 = 29-924 993-71/068
- 18 = 29-924 993-71/069



- | | | | |
|-----|-------------------|------|-------------------|
| 1 = | 29-924 993-71/011 | 9 = | 29-924 993-70/641 |
| 2 = | 29-924 993-70/247 | 10 = | 29-924 993-71/014 |
| 3 = | 29-924 993-70/547 | 11 = | 29-924 993-71/015 |
| 4 = | 29-924 993-71/012 | 12 = | 29-924 993-71/016 |
| 5 = | 29-924 993-70/250 | 13 = | 29-924 993-71/017 |
| 6 = | 29-924 993-70/249 | 14 = | 29-924 993-70/445 |
| 7 = | 49-019 914-31/000 | 15 = | 29-924 993-70/687 |
| 8 = | 29-924 993-70/081 | 16 = | 29-924 993-71/150 |

Gehäuse-Abdeckungen/Oberfadenspannung

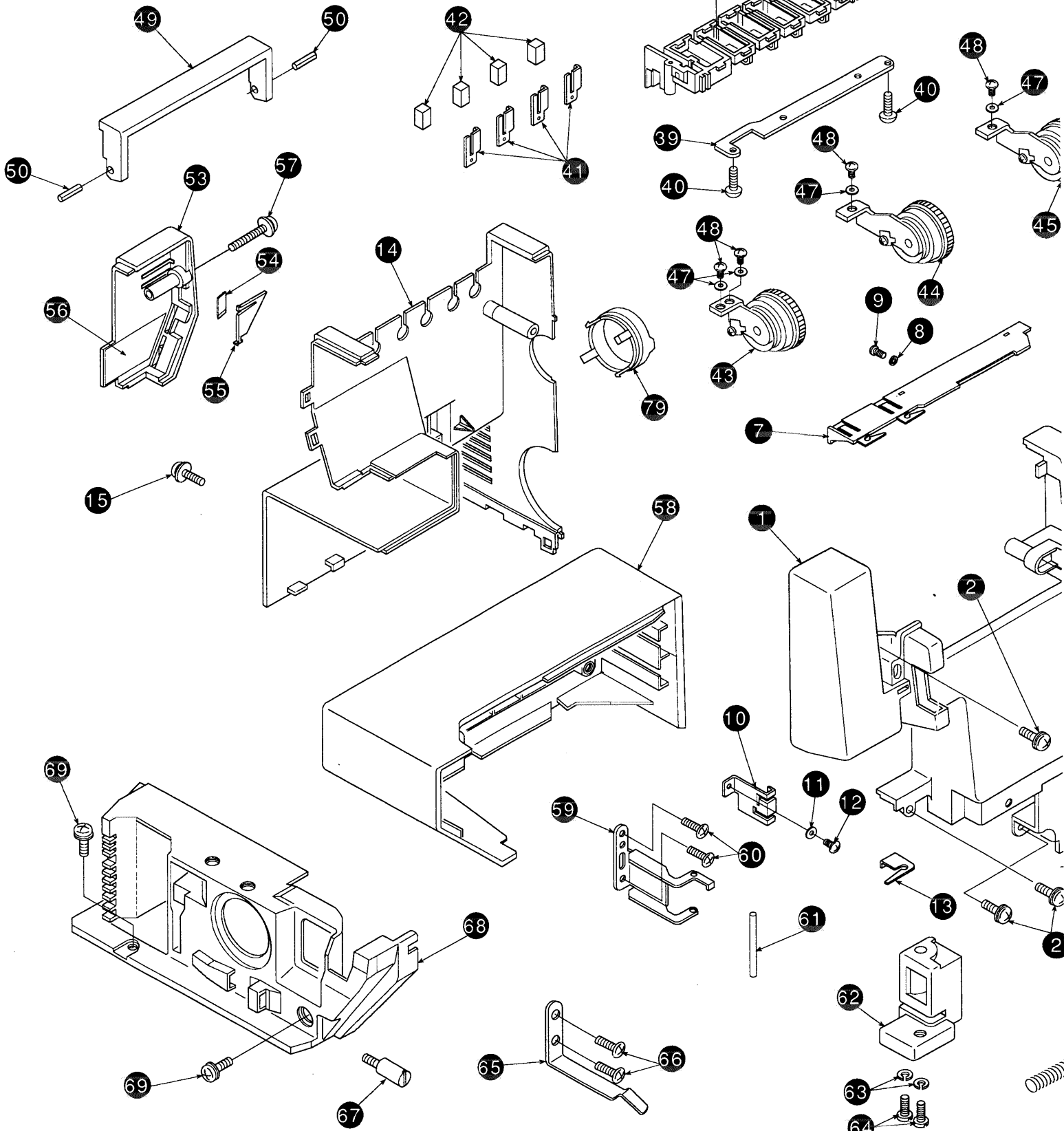
Housing covers/top feed tension

Caches/Tension supérieure

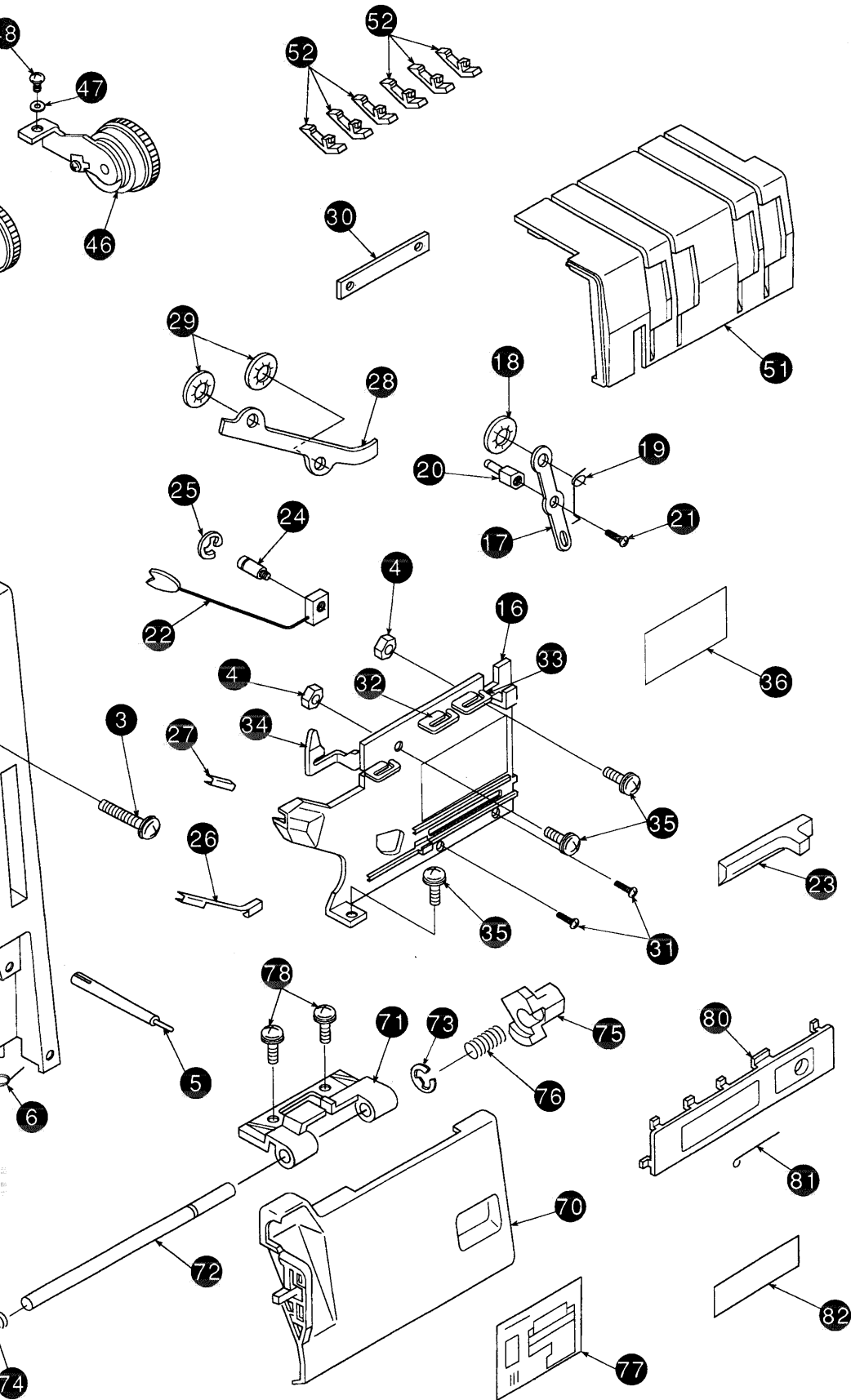
Tapas de la carcasa/Tensión del hilo superior

Coperchi del carter/Tensione superiore

hobbylock 788



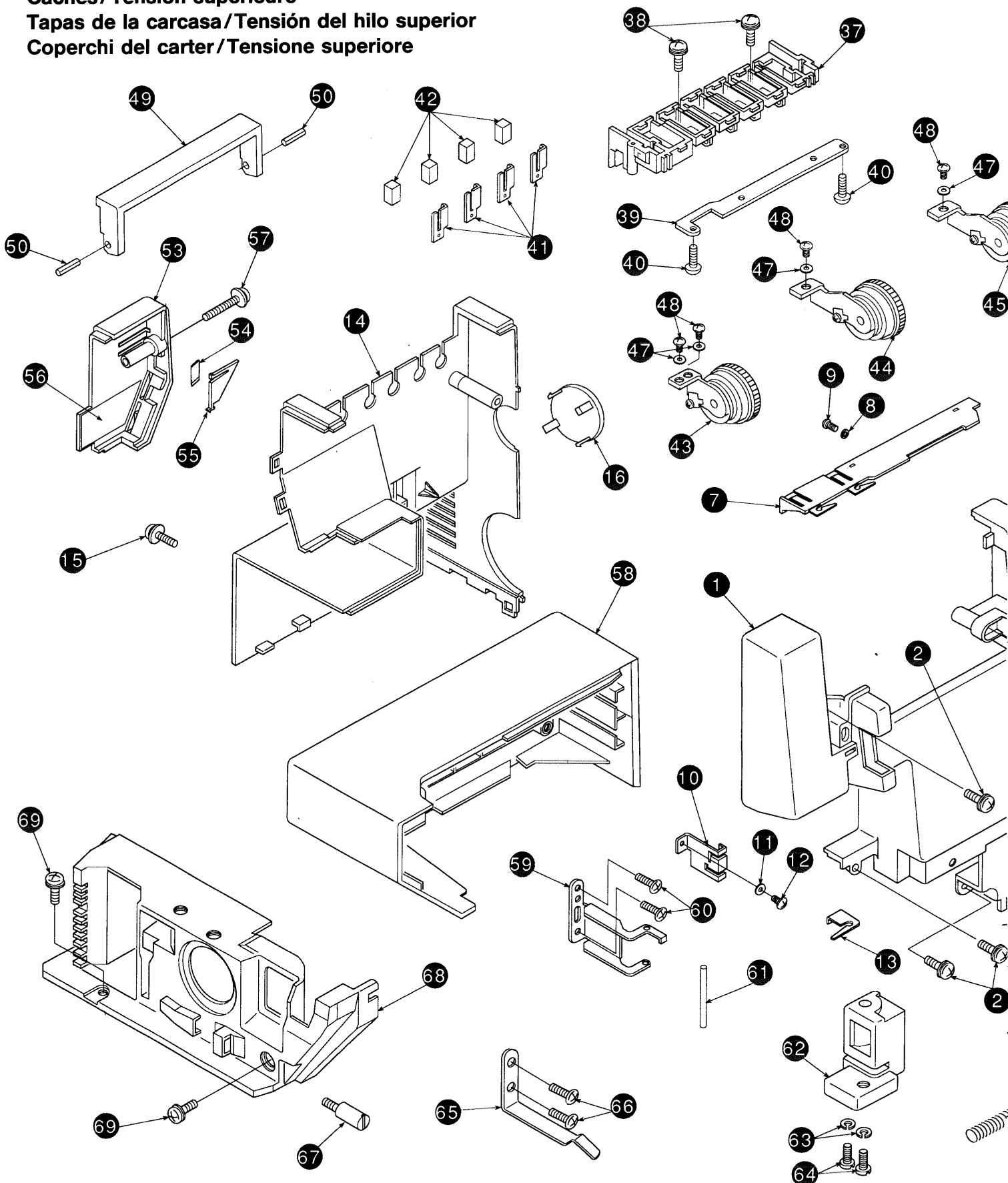
- | | | |
|-----------------------|------------------------|------------------------|
| 1 = 29-924 993-71/018 | 7 = 29-924 993-71/022 | 13 = 29-924 993-71/024 |
| 2 = 29-924 993-70/954 | 8 = 29-924 993-70/367 | 14 = 29-924 993-71/025 |
| 3 = 29-924 993-71/019 | 9 = 29-924 993-70/494 | 15 = 29-924 993-71/026 |
| 4 = 29-924 990-24/000 | 10 = 29-924 993-71/023 | 16 = 29-924 993-71/027 |
| 5 = 29-924 993-71/020 | 11 = 29-924 993-70/367 | 17 = 29-924 993-71/028 |
| 6 = 29-924 993-71/021 | 12 = 29-924 993-70/640 | 18 = 29-924 993-71/029 |



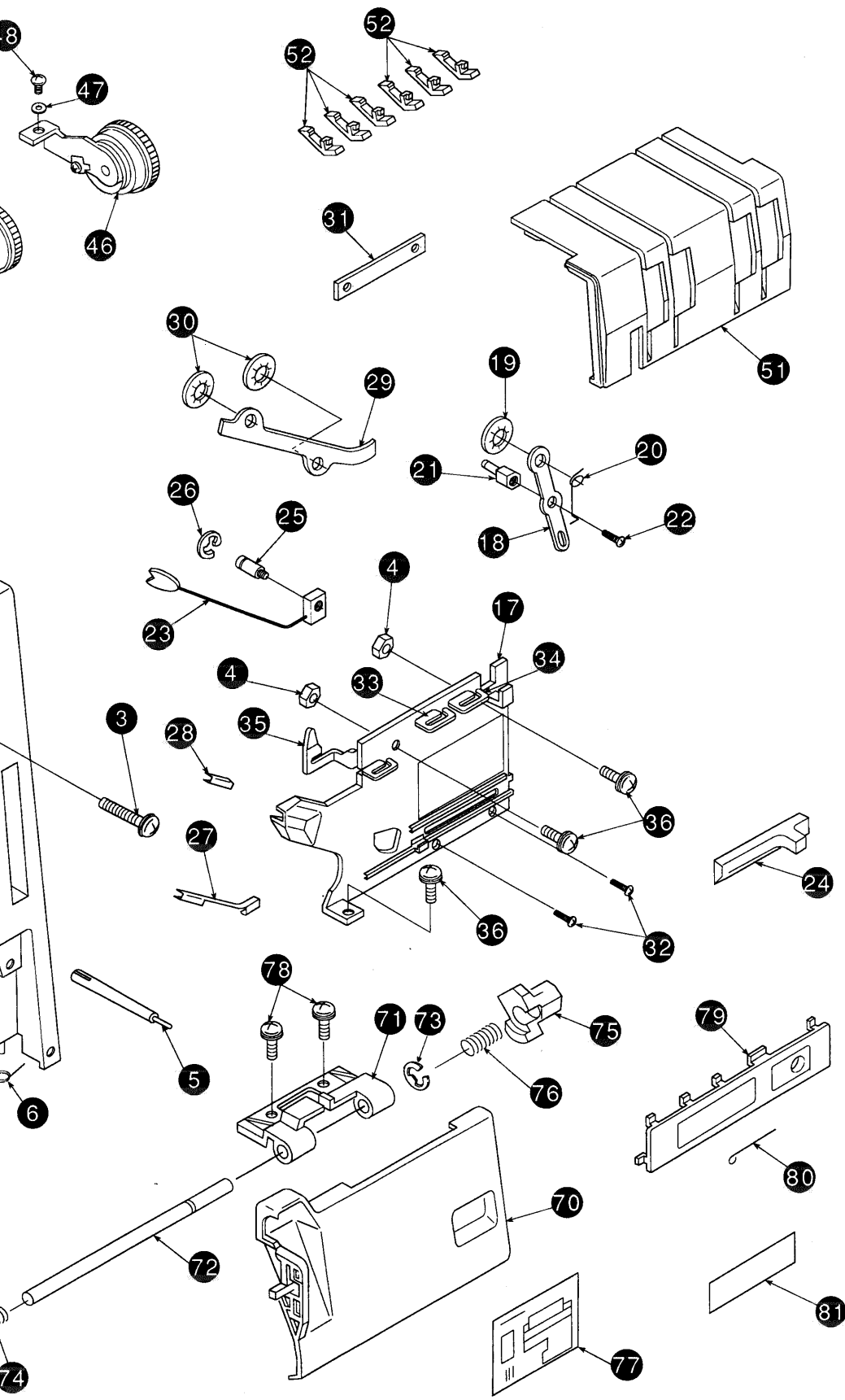
- 25 = 29-924 993-70/465
- 26 = 29-924 993-71/035
- 27 = 29-924 993-71/036
- 28 = 29-924 993-71/037
- 29 = 29-924 993-71/029
- 30 = 29-924 993-71/038
- 31 = 29-924 993-71/039
- 32 = 29-924 993-70/698
- 33 = 29-924 993-70/699
- 34 = 29-924 993-71/040
- 35 = 29-924 993-70/954
- 36 = 29-924 993-71/041
- 37 = 29-924 993-70/702
- 38 = 29-924 993-71/042
- 39 = 29-924 993-70/704
- 40 = 29-924 993-70/090
- 41 = 29-924 993-70/705
- 42 = 29-924 993-70/706
- 43 = 29-924 993-71/043
- 44 = 29-924 993-71/044
- 45 = 29-924 993-71/045
- 46 = 29-924 993-71/046
- 47 = 29-924 993-70/711
- 48 = 29-924 993-70/710
- 49 = 29-924 993-70/712
- 50 = 29-924 993-71/047
- 51 = 29-924 993-71/048
- 52 = 29-924 993-71/049
- 53 = 29-924 993-71/050
- 54 = 29-924 993-71/051
- 55 = 29-924 993-71/052
- 56 = 29-924 993-70/717
- 57 = 29-924 993-71/019
- 58 = 29-924 993-70/718
- 59 = 29-924 993-70/719
- 60 = 29-924 993-70/627
- 61 = 29-924 993-70/579
- 62 = 29-924 993-71/053
- 63 = 29-924 993-70/313
- 64 = 29-924 993-70/475
- 65 = 29-924 993-71/054
- 66 = 29-924 993-70/494
- 67 = 29-924 993-70/933
- 68 = 29-924 993-71/055
- 69 = 29-924 993-71/042
- 70 = 29-924 993-71/056
- 71 = 29-924 993-71/057
- 72 = 29-924 993-71/058
- 73 = 29-924 993-71/465
- 74 = 29-924 993-70/724
- 75 = 29-924 993-71/059
- 76 = 29-924 993-71/060
- 77 = 29-924 993-71/061
- 78 = 29-924 993-70/954
- 79 = 29-924 993-71/062
- 80 = 29-924 993-71/063
- 81 = 29-924 993-70/726
- 82 = 29-924 993-71/064

- 19 = 29-924 993-71/030
- 20 = 29-924 993-71/031
- 21 = 29-924 993-71/032
- 22 = 29-924 993-71/033
- 23 = 29-924 993-71/034
- 24 = 29-924 993-70/956

Gehäuse-Abdeckungen/Oberfadenspannung
Housing covers/top feed tension
Caches/Tension supérieure
Tapas de la carcasa/Tensión del hilo superior
Coperchi del carter/Tensione superiore



- | | | |
|-----------------------|------------------------|------------------------|
| 1 = 29-924 993-71/071 | 7 = 29-924 993-71/022 | 13 = 29-924 993-71/024 |
| 2 = 29-924 993-70/954 | 8 = 29-924 993-70/367 | 14 = 29-924 993-71/025 |
| 3 = 29-924 993-71/019 | 9 = 29-924 993-70/494 | 15 = 29-924 993-71/026 |
| 4 = 29-924 990-24/000 | 10 = 29-924 993-71/023 | 16 = 29-924 993-71/070 |
| 5 = 29-924 993-71/020 | 11 = 29-924 993-70/367 | 17 = 29-924 993-71/027 |
| 6 = 29-924 993-71/021 | 12 = 29-924 993-70/640 | 18 = 29-924 993-71/028 |



- 25 = 29-924 993-70/956
- 26 = 29-924 993-70/465
- 27 = 29-924 993-71/035
- 28 = 29-924 993-71/036
- 29 = 29-924 993-71/037
- 30 = 29-924 993-71/029
- 31 = 29-924 993-71/038
- 32 = 29-924 993-71/034
- 33 = 29-924 993-70/698
- 34 = 29-924 993-70/699
- 35 = 29-924 993-71/040
- 36 = 29-924 993-70/954
- 37 = 29-924 993-70/702
- 38 = 29-924 993-71/042
- 39 = 29-924 993-70/604
- 40 = 29-924 993-70/090
- 41 = 29-924 993-70/705
- 42 = 29-924 993-70/706
- 43 = 29-924 993-71/043
- 44 = 29-924 993-71/044
- 45 = 29-924 993-71/045
- 46 = 29-924 993-71/046
- 47 = 29-924 993-70/711
- 48 = 29-924 993-70/710
- 49 = 29-924 993-70/712
- 50 = 29-924 993-71/047
- 51 = 29-924 993-71/048
- 52 = 29-924 993-71/049
- 53 = 29-924 993-71/050
- 54 = 29-924 993-71/051
- 55 = 29-924 993-71/052
- 56 = 29-924 993-70/717
- 57 = 29-924 993-71/019
- 58 = 29-924 993-70/718
- 59 = 29-924 993-70/719
- 60 = 29-924 993-70/627
- 61 = 29-924 993-70/579
- 62 = 29-924 993-71/053
- 63 = 29-924 993-70/313
- 64 = 29-924 993-70/475
- 65 = 29-924 993-71/054
- 66 = 29-924 993-70/494
- 67 = 29-924 993-70/933
- 68 = 29-924 993-71/055
- 69 = 29-924 993-71/042
- 70 = 29-924 993-71/056
- 71 = 29-924 993-71/057
- 72 = 29-924 993-71/058
- 73 = 29-924 993-70/465
- 74 = 29-924 993-70/724
- 75 = 29-924 993-71/059
- 76 = 29-924 993-71/060
- 77 = 29-924 993-71/061
- 78 = 29-924 993-70/954
- 79 = 29-924 993-70/063
- 80 = 29-924 993-70/726
- 81 = 29-924 993-71/064

- 19 = 29-924 993-71/029
- 20 = 29-924 993-71/030
- 21 = 29-924 993-71/031
- 22 = 29-924 993-71/032
- 23 = 29-924 993-71/033
- 24 = 29-924 993-71/034