

PFAFF[®]

hobbylock

784 / 786

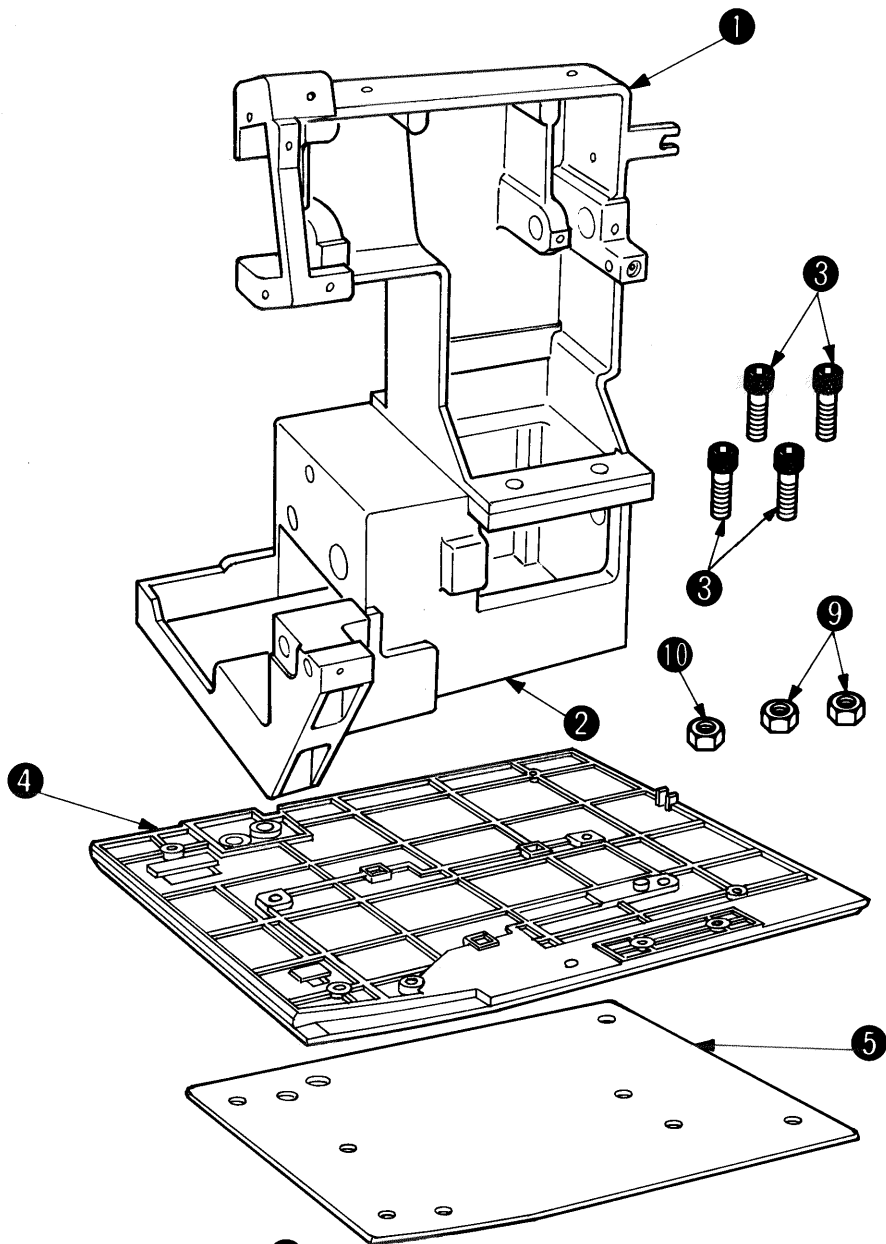
Bestandteile-Liste

List of spare parts

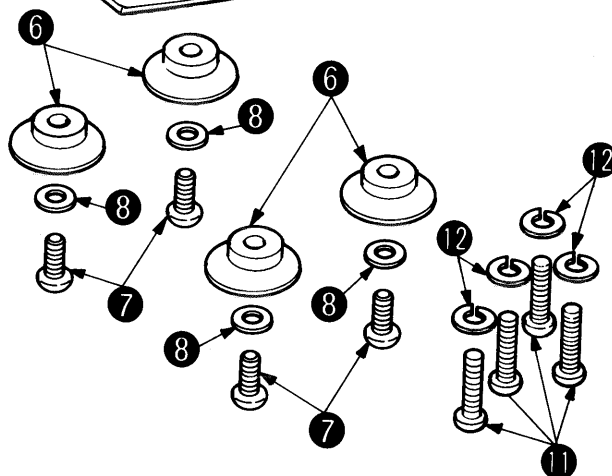
Liste des pièces détachées

Catalogo pezzi staccati

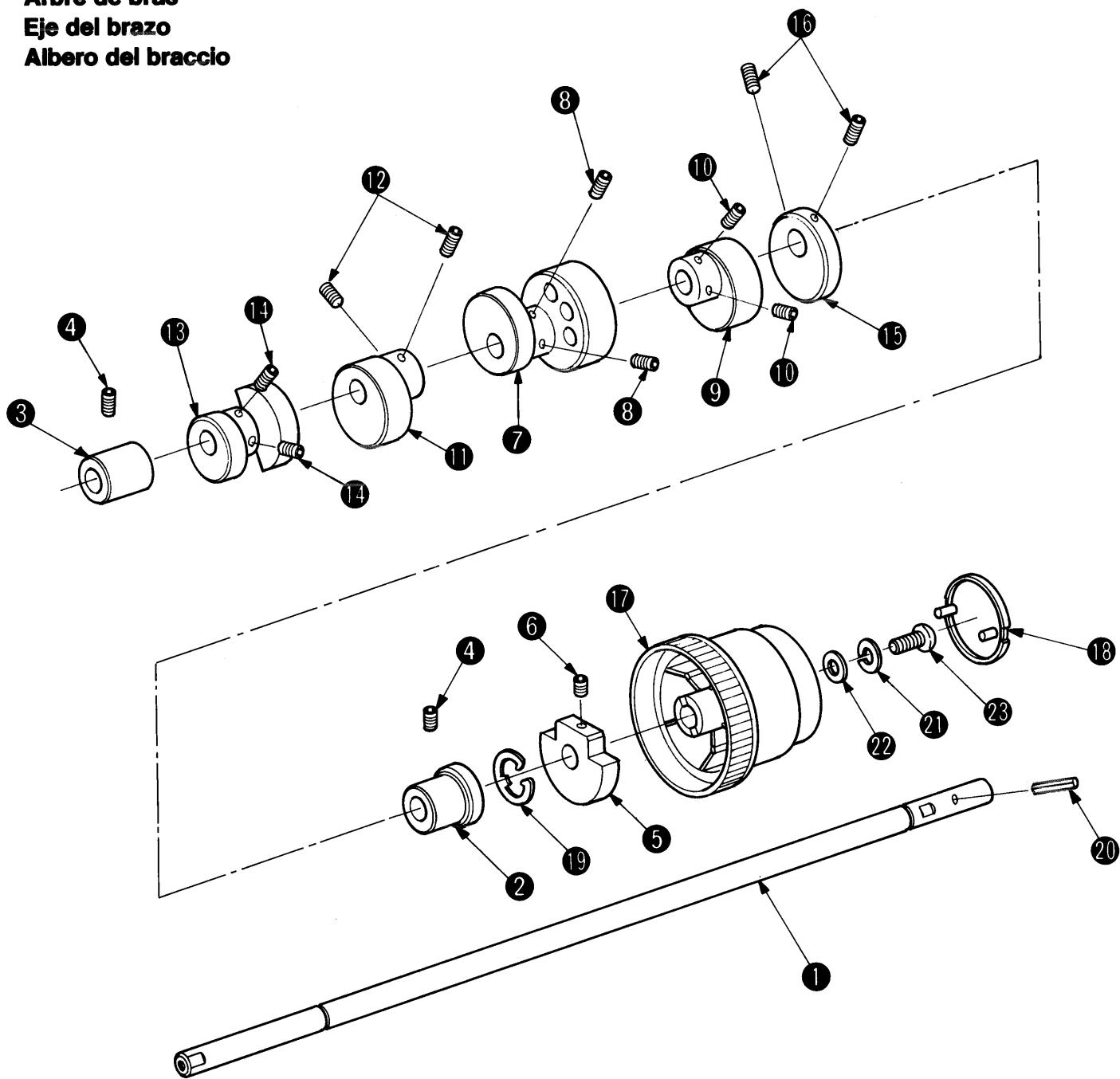
Lista de piezas de repuesto



- 1 = 29-924 993-70/584
- 2 = 29-924 993-70/585
- 3 = 29-924 993-70/586
- 4 = 29-924 993-70/587
- 5 = 29-924 993-70/588
- 6 = 29-924 993-70/089
- 7 = 29-924 993-70/090
- 8 = 29-924 993-70/310
- 9 = 29-924 990-24/000
- 10 = 29-924 990-24/000
- 11 = 29-924 993-70/589
- 12 = 29-924 993-70/023

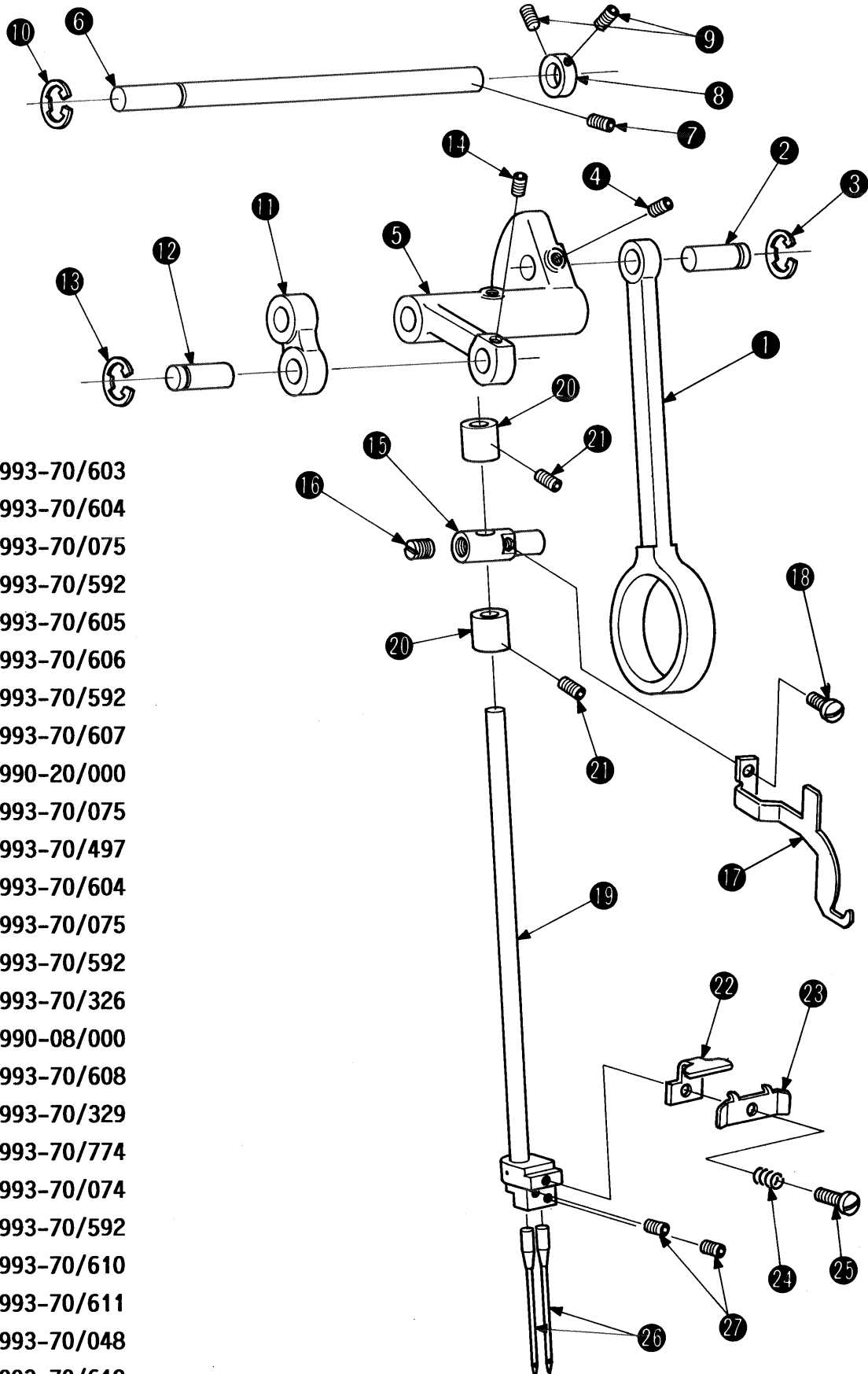


Armwelle
Arm shaft
Arbre de bras
Eje del brazo
Albero del braccio



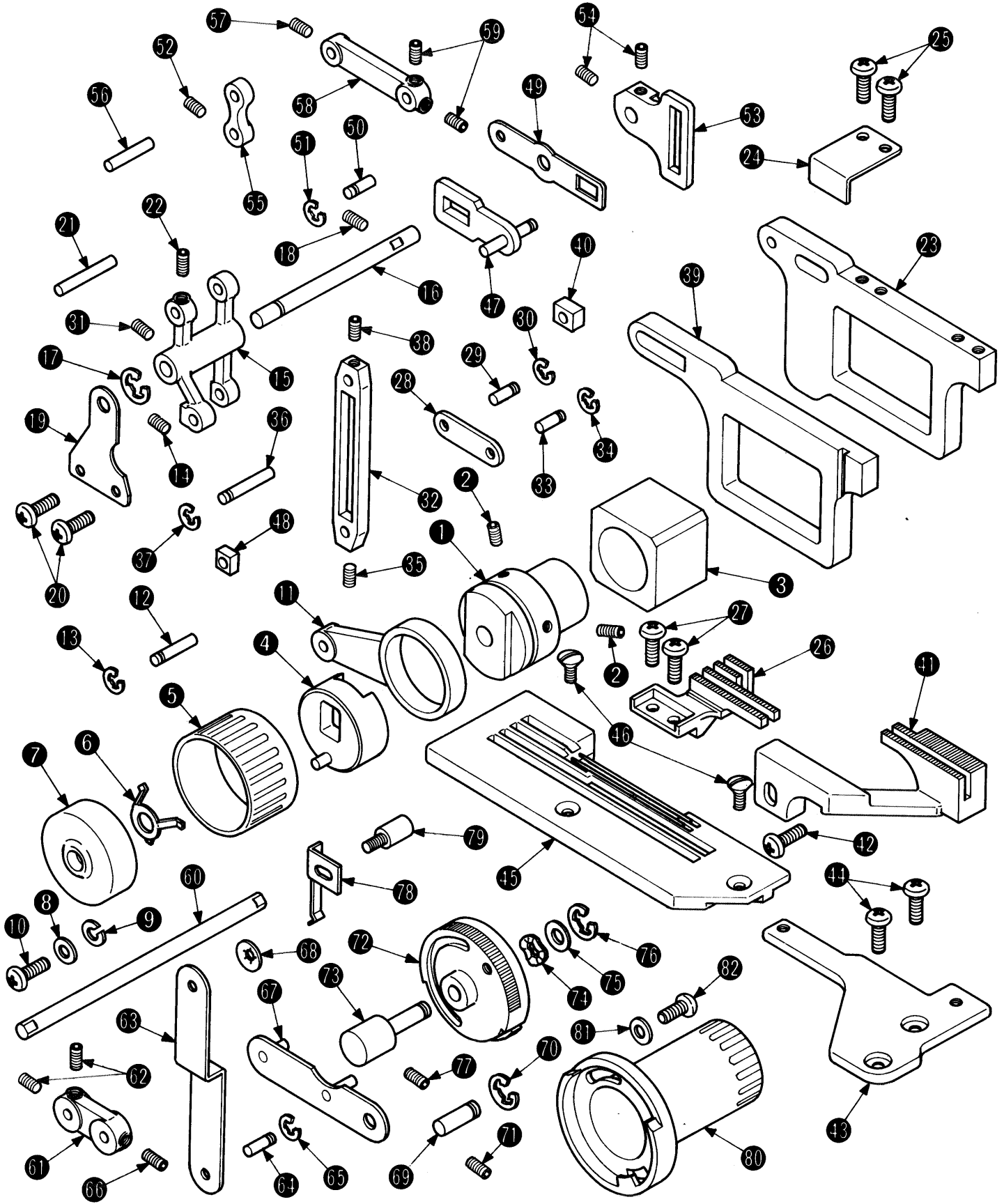
- | | |
|------------------------|------------------------|
| 1 = 29-924 993-70/590 | 13 = 29-924 993-70/597 |
| 2 = 29-924 993-15/000 | 14 = 29-924 993-70/592 |
| 3 = 29-924 993-70/591 | 15 = 29-924 993-70/598 |
| 4 = 29-924 993-70/592 | 16 = 29-924 993-70/592 |
| 5 = 29-924 993-70/593 | 17 = 29-924 993-70/599 |
| 6 = 29-924 993-70/592 | 18 = 29-924 993-70/600 |
| 7 = 29-924 993-70/594 | 19 = 29-924 993-70/042 |
| 8 = 29-924 993-70/592 | 20 = 29-924 993-70/043 |
| 9 = 29-924 993-70/595 | 21 = 29-924 993-70/601 |
| 10 = 29-924 993-70/592 | 22 = 29-924 993-70/602 |
| 11 = 29-924 993-70/596 | 23 = 29-924 993-70/012 |
| 12 = 29-924 993-70/592 | |

Nadelstange mit Antrieb
Needle bar with drive
Barre à aiguille avec commande
Barra de aguja con accionamiento
Barra d'ago con comando



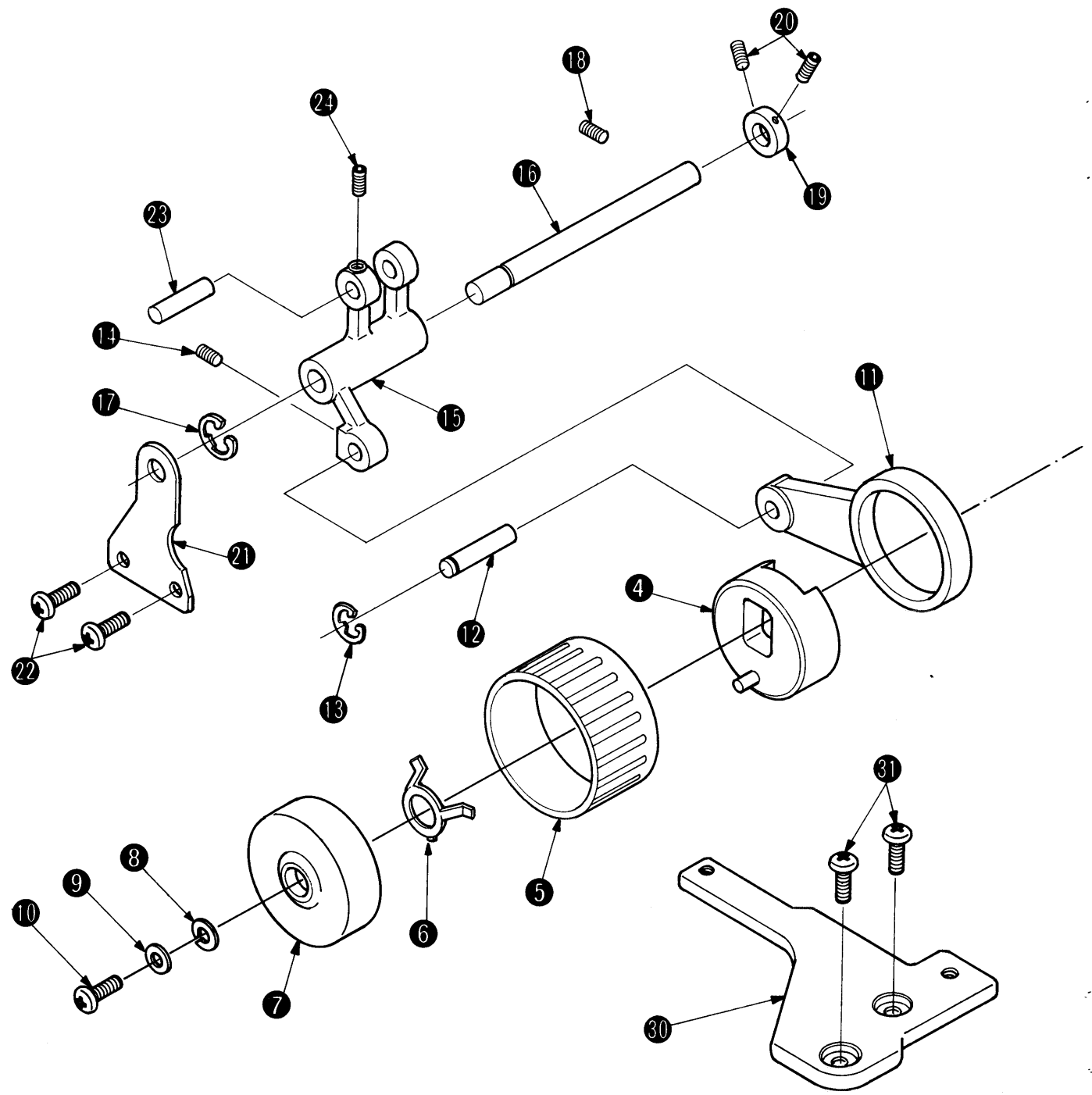
- 1 = 29-924 993-70/603
- 2 = 29-924 993-70/604
- 3 = 29-924 993-70/075
- 4 = 29-924 993-70/592
- 5 = 29-924 993-70/605
- 6 = 29-924 993-70/606
- 7 = 29-924 993-70/592
- 8 = 29-924 993-70/607
- 9 = 29-924 990-20/000
- 10 = 29-924 993-70/075
- 11 = 29-924 993-70/497
- 12 = 29-924 993-70/604
- 13 = 29-924 993-70/075
- 14 = 29-924 993-70/592
- 15 = 29-924 993-70/326
- 16 = 29-924 990-08/000
- 17 = 29-924 993-70/608
- 18 = 29-924 993-70/329
- 19 = 29-924 993-70/774
- 20 = 29-924 993-70/074
- 21 = 29-924 993-70/592
- 22 = 29-924 993-70/610
- 23 = 29-924 993-70/611
- 24 = 29-924 993-70/048
- 25 = 29-924 993-70/612
- 26 = 29-924 993-70/613
- 27 = 29-924 993-70/614

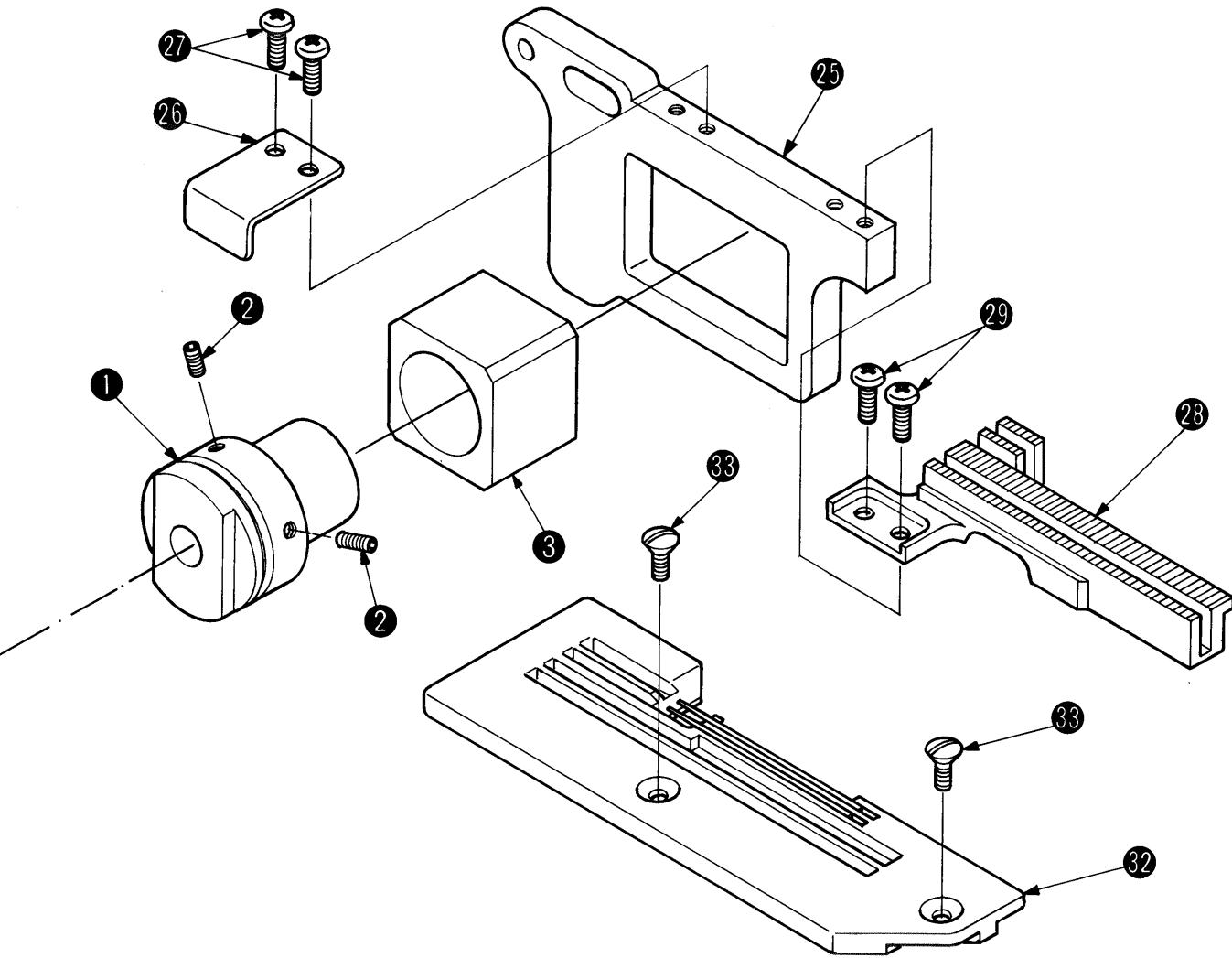
Transport-Einrichtung
Feeding mechanism
Système d'entraînement
Mecanismo de arrastre
Meccanismo di trasporto



1 = 29-924 993-70/615	29 = 29-924 993-70/799	57 = 29-924 993-70/592
2 = 29-924 993-70/592	30 = 29-924 993-70/402	58 = 29-924 993-70/809
3 = 29-924 993-70/616	31 = 29-924 993-70/592	59 = 29-924 993-70/592
4 = 29-924 993-70/617	32 = 29-924 993-70/800	60 = 29-924 993-70/810
5 = 29-924 993-70/792	33 = 29-924 993-70/799	61 = 29-924 993-70/811
6 = 29-924 993-70/619	34 = 29-924 993-70/402	62 = 29-924 993-70/592
7 = 29-924 993-70/793	35 = 29-924 993-70/592	63 = 29-924 993-70/812
8 = 29-924 993-70/364	36 = 29-924 993-70/623	64 = 29-924 993-70/799
9 = 29-924 993-70/023	37 = 29-924 993-70/402	65 = 29-924 993-70/402
10 = 29-924 993-70/621	38 = 29-924 993-70/592	66 = 29-924 993-70/592
11 = 29-924 993-70/622	39 = 29-924 993-70/801	67 = 29-924 993-70/813
12 = 29-924 993-70/623	40 = 29-924 993-70/802	68 = 29-924 993-70/814
13 = 29-924 993-70/402	41 = 29-924 993-70/803	69 = 29-924 993-70/636
14 = 29-924 993-70/592	42 = 29-924 993-70/621	70 = 29-924 993-70/066
15 = 29-924 993-70/794	43 = 29-924 993-70/632	71 = 29-924 993-70/592
16 = 29-924 993-70/795	44 = 29-924 993-70/627	72 = 29-924 993-70/815
17 = 29-924 993-70/075	45 = 29-924 993-70/776	73 = 29-924 993-70/816
18 = 29-924 993-70/592	46 = 29-924 993-70/384	74 = 29-924 993-70/144
19 = 29-924 993-70/626	47 = 29-924 993-70/804	75 = 29-924 993-70/602
20 = 29-924 993-70/627	48 = 29-924 993-70/802	76 = 29-924 993-70/066
21 = 29-924 993-70/796	49 = 29-924 993-70/805	77 = 29-924 993-70/592
22 = 29-924 993-70/592	50 = 29-924 993-70/799	78 = 29-924 993-70/817
23 = 29-924 993-70/628	51 = 29-924 993-70/402	79 = 29-924 993-70/818
24 = 29-924 993-70/629	52 = 29-924 993-70/592	80 = 29-924 993-70/819
25 = 29-924 993-70/630	53 = 29-924 993-70/806	81 = 29-924 993-70/030
26 = 29-924 993-70/797	54 = 29-924 993-70/592	82 = 29-924 993-70/640
27 = 29-924 993-70/630	55 = 29-924 993-70/807	
28 = 29-924 993-70/798	56 = 29-924 993-70/808	

Transport-Einrichtung
Feeding mechanism
Système d'entraînement
Mecanismo de arrastre
Meccanismo di trasporto





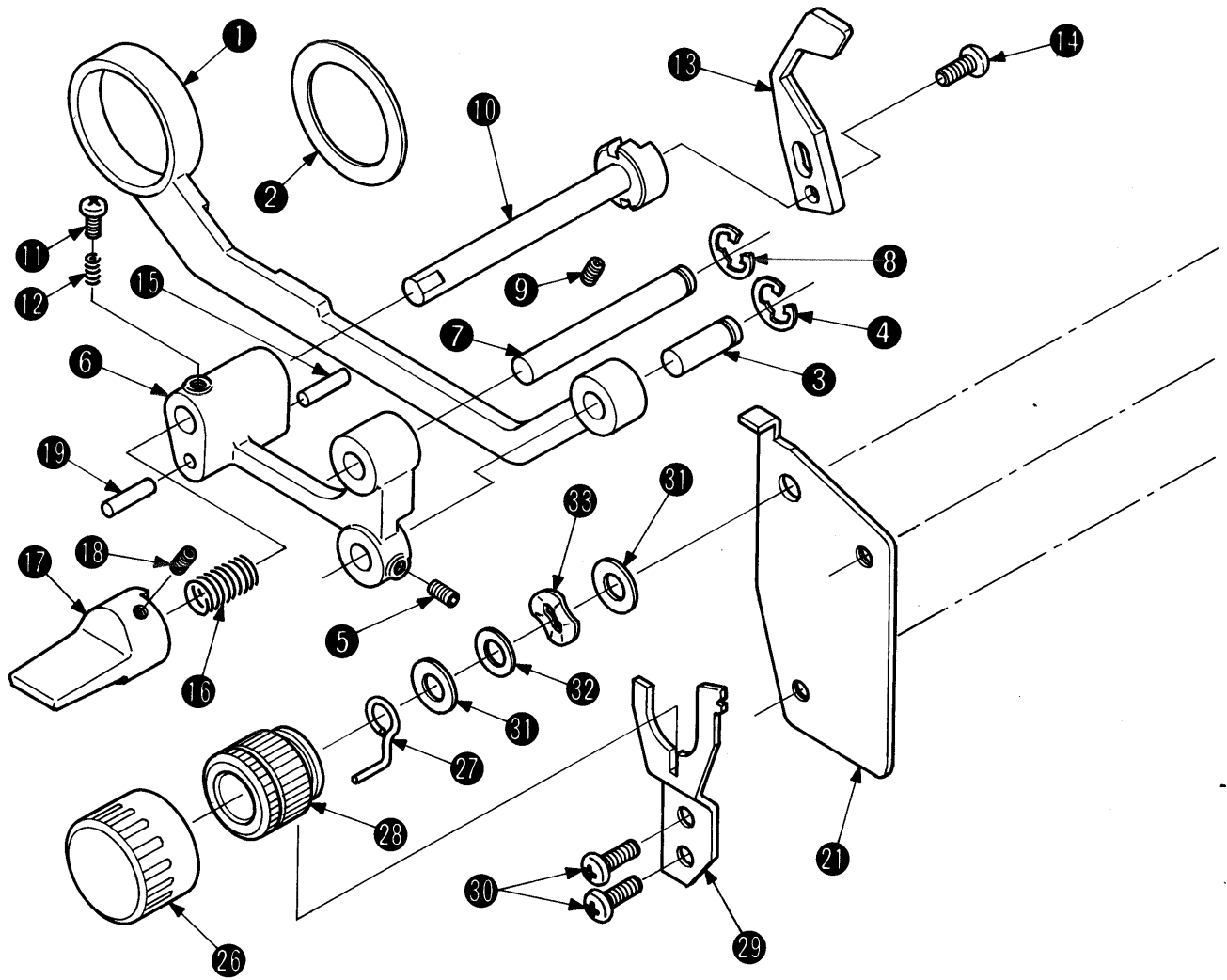
- 1 = 29-924 993-70/615
- 2 = 29-924 993-70/592
- 3 = 29-924 993-70/616
- 4 = 29-924 993-70/617
- 5 = 29-924 993-70/618
- 6 = 29-924 993-70/619
- 7 = 29-924 993-70/620
- 8 = 29-924 993-70/364
- 9 = 29-924 993-70/023
- 10 = 29-924 993-70/621
- 11 = 29-924 993-70/622
- 12 = 29-924 993-70/623
- 13 = 29-924 993-70/402
- 14 = 29-924 993-70/592
- 15 = 29-924 993-70/624
- 16 = 29-924 993-70/625
- 17 = 29-924 993-70/075

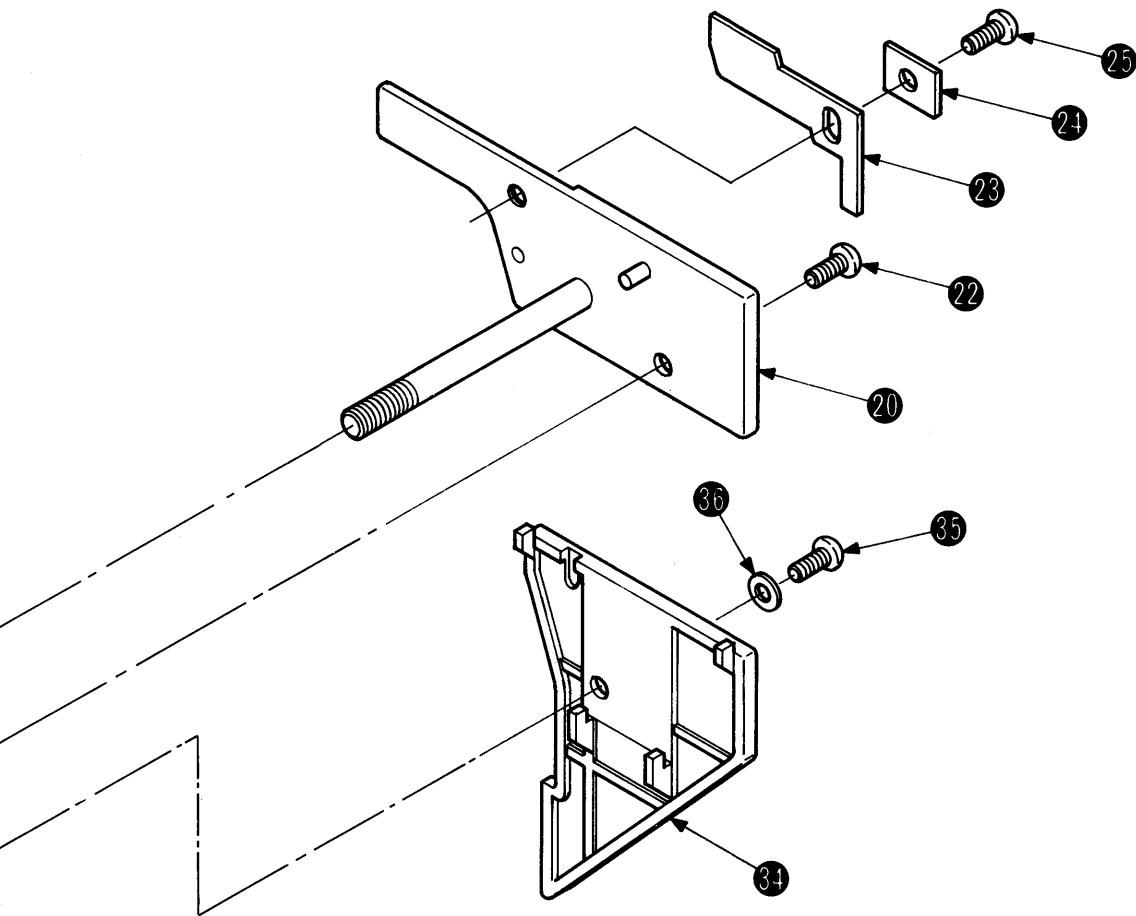
- 18 = 29-924 993-70/592
- 19 = 29-924 993-21/000
- 20 = 29-924 990-20/000
- 21 = 29-924 993-70/626
- 22 = 29-924 993-70/627
- 23 = 29-924 993-70/335
- 24 = 29-924 993-70/592
- 25 = 29-924 993-70/628
- 26 = 29-924 993-70/629
- 27 = 29-924 993-70/630
- 28 = 29-924 993-70/775
- 29 = 29-924 993-70/630
- 30 = 29-924 993-70/632
- 31 = 29-924 993-70/627
- 32 = 29-924 993-70/776
- 33 = 29-924 993-70/384

Ober- und Untermesser
Upper and lower knife
Couteau supérieur et inférieur
Cuchilla superior e inferior
Coltello superiore ed inferiore

hobbylock 784/786

5



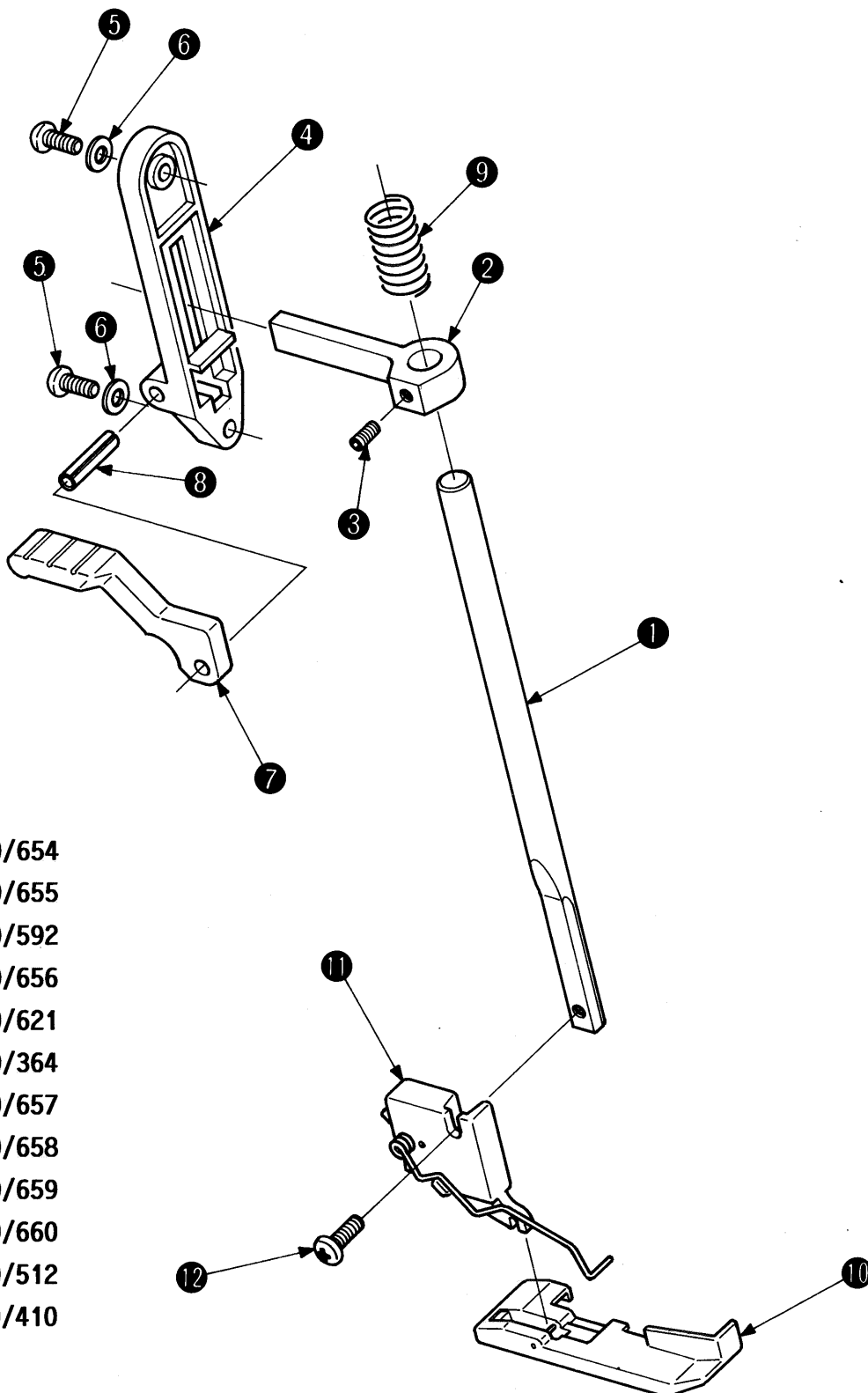


1 = 29-924 993-70/634	13 = 29-924 993-70/641	25 = 29-924 993-70/627
2 = 29-924 993-70/635	14 = 29-924 993-70/621	26 = 29-924 993-70/651
3 = 29-924 993-70/636	15 = 29-924 993-70/642	27 = 29-924 993-70/394
4 = 29-924 993-70/066	16 = 29-924 993-70/643	28 = 29-924 993-70/390
5 = 29-924 993-70/592	17 = 29-924 993-70/644	29 = 29-924 993-70/652
6 = 29-924 993-70/777	18 = 29-924 993-70/592	30 = 29-924 993-70/627
7 = 29-924 993-70/638	19 = 29-924 993-70/645	31 = 29-924 993-70/602
8 = 29-924 993-70/066	20 = 29-924 993-70/646	32 = 29-924 993-70/361
9 = 29-924 993-70/592	21 = 29-924 993-70/647	33 = 29-924 993-70/144
10 = 29-924 993-70/639	22 = 29-924 993-70/648	34 = 29-924 993-70/653
11 = 29-924 993-70/640	23 = 29-924 993-70/649	35 = 29-924 993-70/648
12 = 29-924 993-70/135	24 = 29-924 993-70/650	36 = 29-924 993-70/030

Stoffdrückerstange mit Nähfuß
Presser bar with presser foot
Barre presse-tissu avec pied
Barra del prensatelas con prensatelas
Barra premistoffa con piedino

hobbylock 784/786

6

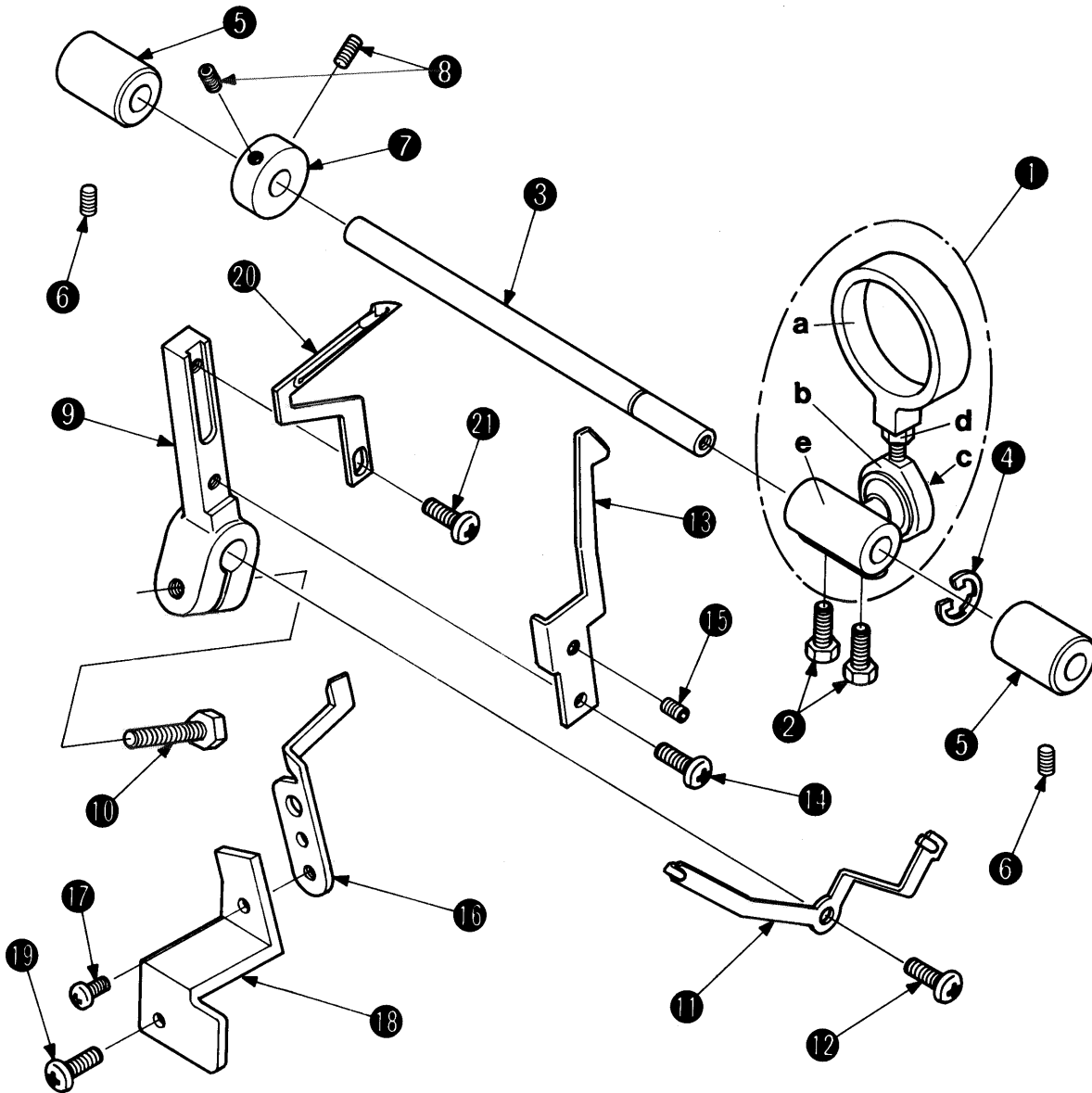


- 1 = 29-924 993-70/654
- 2 = 29-924 993-70/655
- 3 = 29-924 993-70/592
- 4 = 29-924 993-70/656
- 5 = 29-924 993-70/621
- 6 = 29-924 993-70/364
- 7 = 29-924 993-70/657
- 8 = 29-924 993-70/658
- 9 = 29-924 993-70/659
- 10 = 29-924 993-70/660
- 11 = 29-924 993-70/512
- 12 = 29-924 993-70/410

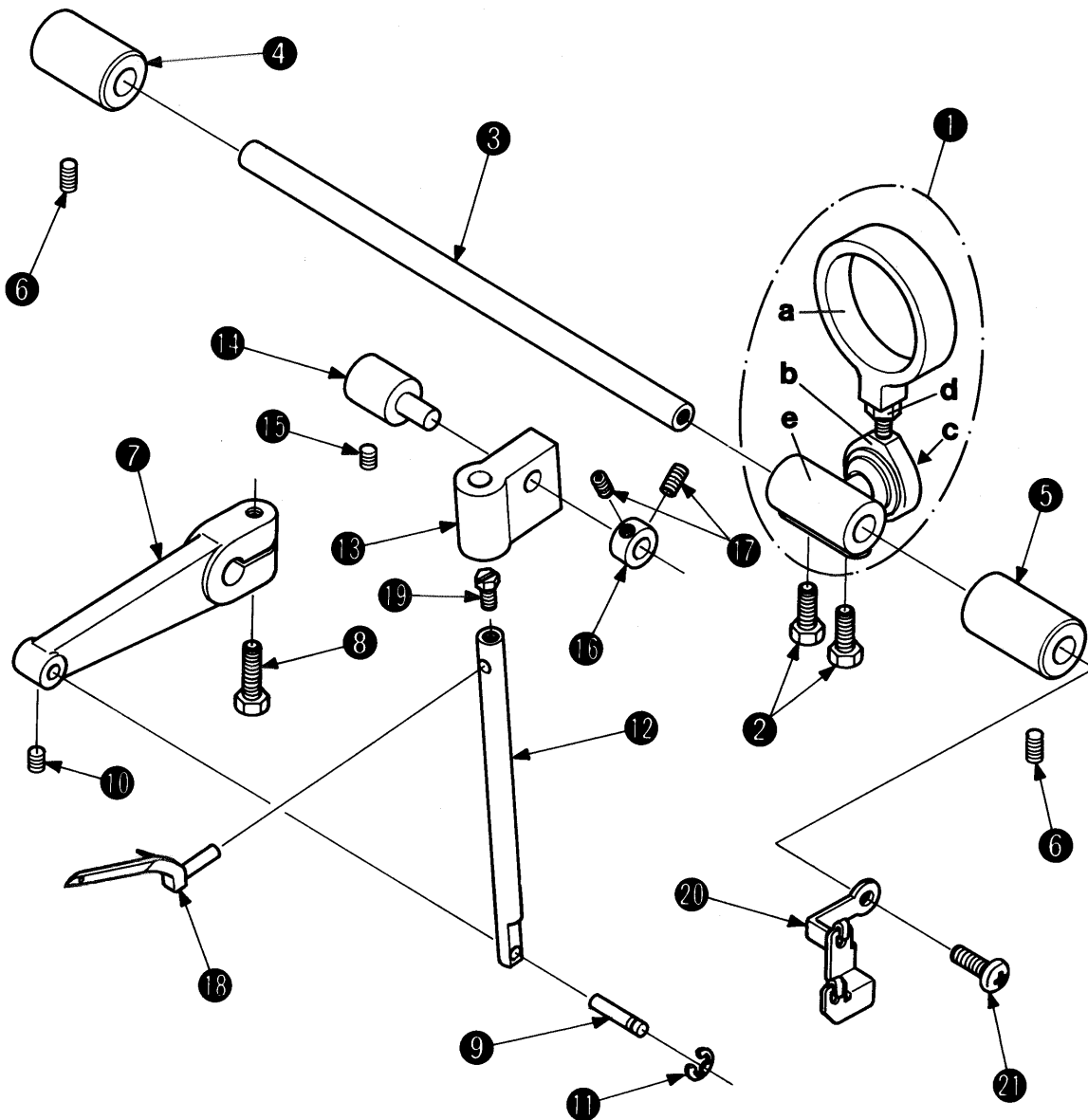
Linker Greifer
Left lopper
Boucleur gauche
Garfio izquierdo
Crochet sinistro

hobbylock 784/786

7



- | | |
|-----------------------|------------------------|
| 1 = 29-924 993-70/662 | 9 = 29-924 993-70/666 |
| a = 29-924 993-00/000 | 10 = 29-924 993-70/667 |
| b = 29-924 993-70/663 | 11 = 29-924 993-70/668 |
| c = 29-924 992-96/000 | 12 = 29-924 993-70/627 |
| d = 29-924 992-95/000 | 13 = 29-924 993-70/669 |
| e = 29-924 993-70/675 | 14 = 29-924 993-70/627 |
| 2 = 29-924 990-11/000 | 15 = 29-924 993-70/670 |
| 3 = 29-924 993-70/665 | 16 = 29-924 993-70/778 |
| 4 = 29-924 993-70/075 | 17 = 29-924 993-70/640 |
| 5 = 29-924 993-31/000 | 18 = 29-924 993-70/672 |
| 6 = 29-924 993-70/592 | 19 = 29-924 993-70/621 |
| 7 = 29-924 993-21/000 | 20 = 29-924 993-70/674 |
| 8 = 29-924 990-20/000 | 21 = 29-924 993-70/627 |



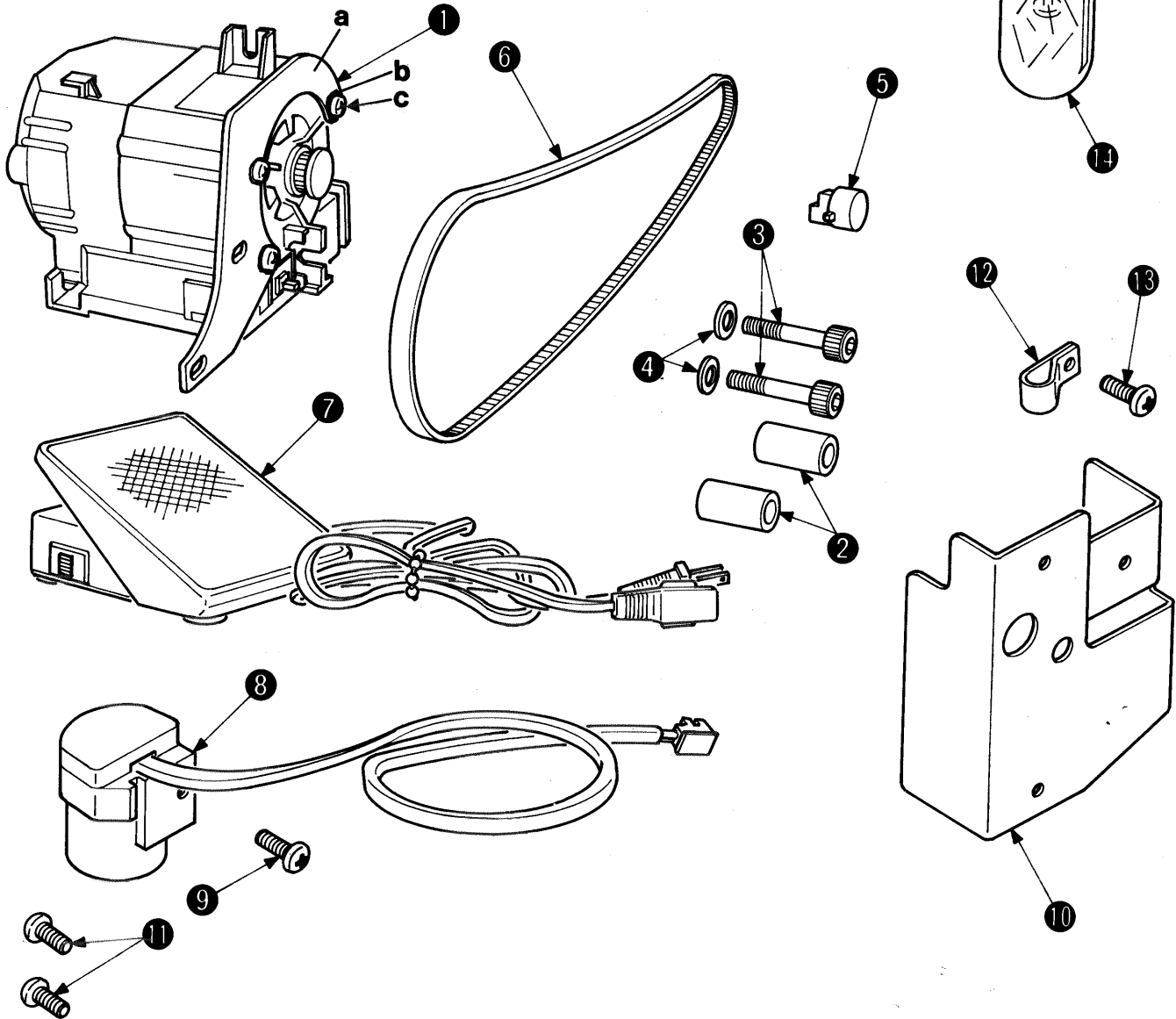
- 1 = 29-924 993-70/662
- a = 29-924 993-00/000
- b = 29-924 993-70/663
- c = 29-924 992-96/000
- d = 29-924 992-95/000
- e = 29-924 993-70/675
- 2 = 29-924 990-11/000
- 3 = 29-924 993-70/779
- 4 = 29-924 993-31/000
- 5 = 29-924 993-18/000
- 6 = 29-924 993-70/592
- 7 = 29-924 993-70/676
- 8 = 29-924 993-70/667

- 9 = 29-924 993-70/532
- 10 = 29-924 993-70/592
- 11 = 29-924 993-70/465
- 12 = 29-924 993-70/677
- 13 = 29-924 993-70/678
- 14 = 29-924 993-70/679
- 15 = 29-924 993-70/592
- 16 = 29-924 993-70/680
- 17 = 29-924 993-70/592
- 18 = 29-924 993-70/681
- 19 = 29-924 993-70/682
- 20 = 29-924 993-70/683
- 21 = 29-924 993-70/627

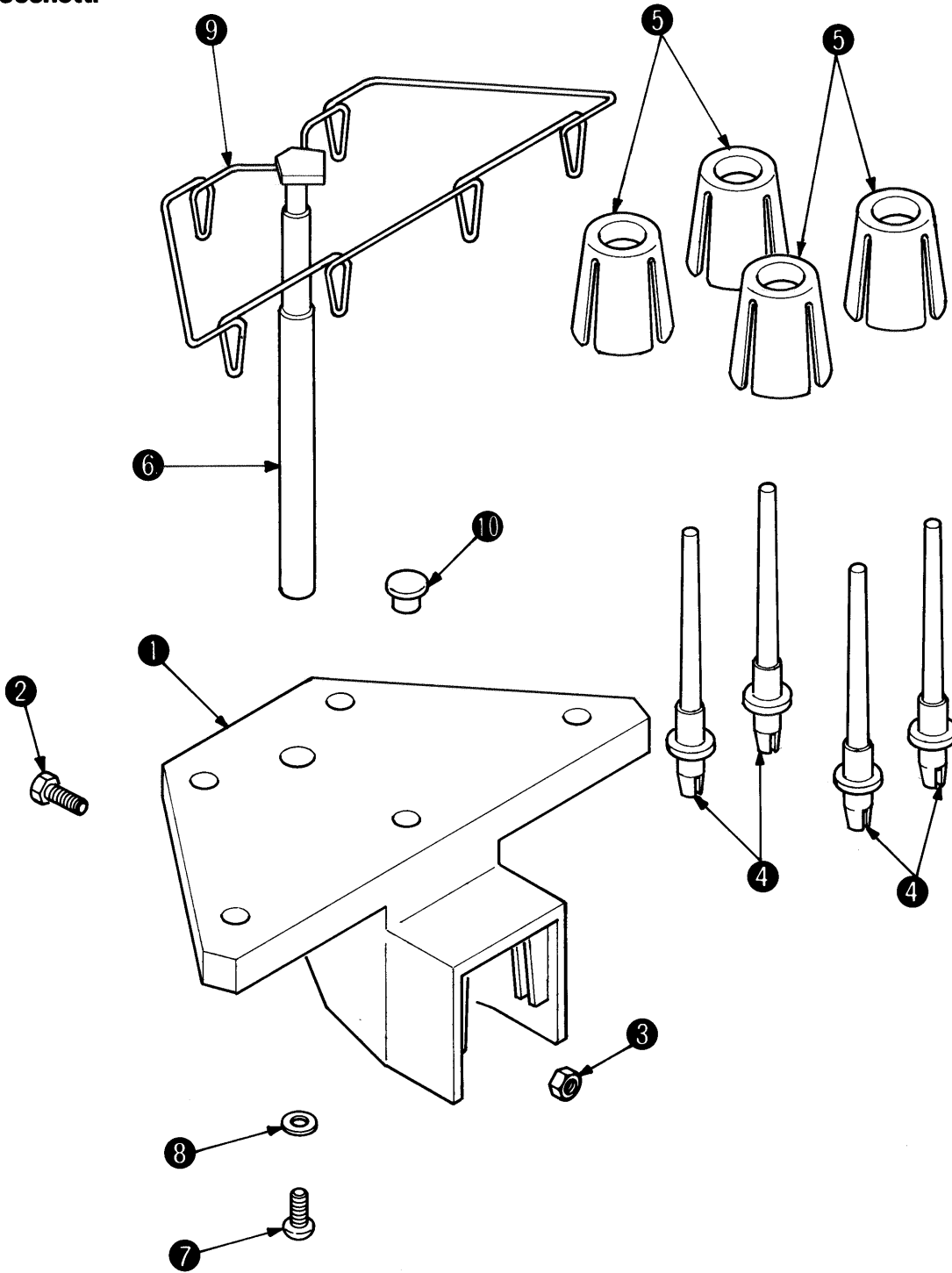
Motor / Anlasser / Einbauleuchte
Motor / foot control / built-in lamp
Moteur / Rhéostat à pédale / Lampe d'éclairage incorporée
Motor / Pedal de arranque / Lámpara incorporada
Motore / Reostato a pedale / Lampadina incorporata

hobbylock 784/786

9

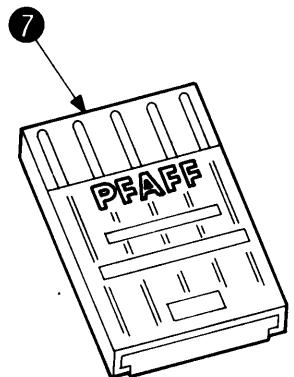
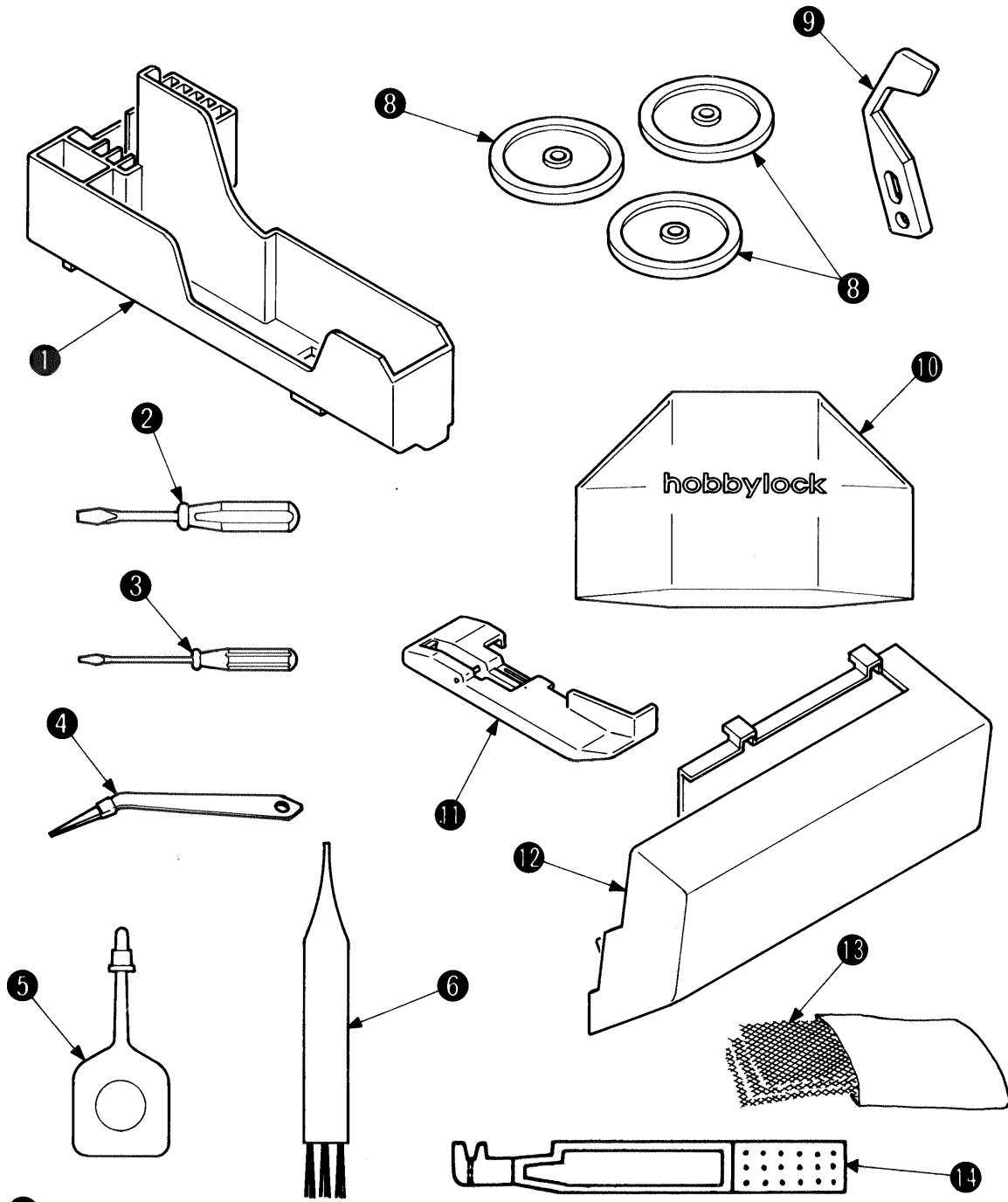


- | | |
|---------------------------------|-------------------------------------|
| 1 = 902-1002-020 220 V/VDE | 902-2300-913 120 V/Electronic |
| 902-1002-023 120 V | 902-2300-914 240 V/Electronic, SAA |
| 902-1002-021 240 V/BEAB/SAA | 902-2300-916 240 V/Electronic, BEAB |
| a 92-328 651-75/000 | 8 = 902-3304-001 220 V/BEAB (240 V) |
| b 12-315 110-25/000 | 902-3304-013 120 V |
| c 11-190 174-25/000 | 902-3304-004 240 V/SAA |
| 2 = 29-924 993-70/784 | 9 = 29-924 993-70/022 |
| 3 = 29-924 993-70/781 | 10 = 29-924 993-70/780 |
| 4 = 29-924 993-70/025 | 11 = 29-924 993-70/630 |
| 5 = 92-328 653-91/000 | 12 = 29-924 993-70/483 |
| 6 = 92-326 871-05/000 | 13 = 29-924 993-70/627 |
| 7 = 902-2006-911 220 V/Standard | 14 = 70-251 652-01 220 V |
| 902-2300-911 220 V/Electronic | 70-251 651-71 120 V |



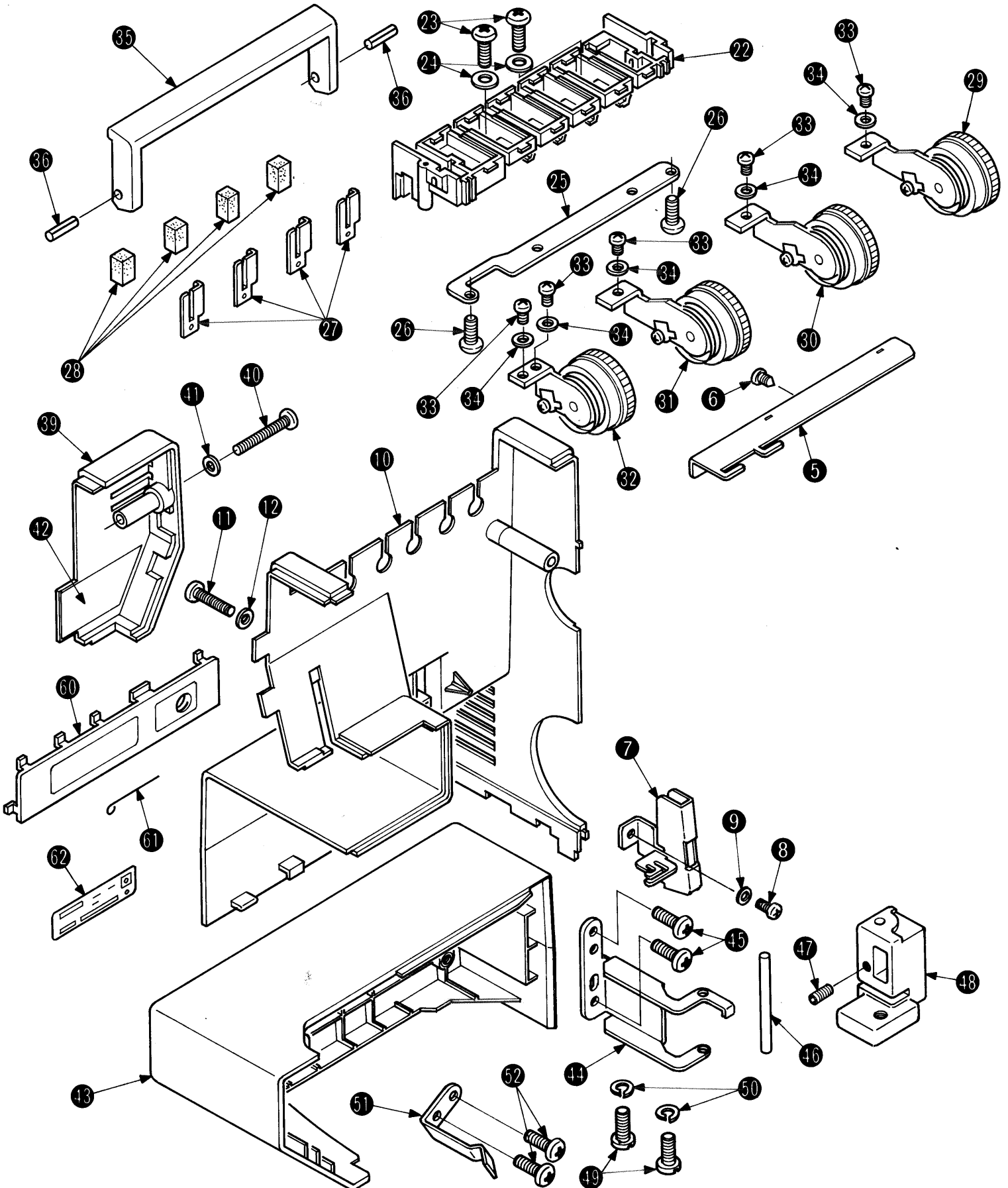
- 1 = 29-924 993-70/540
- 2 = 29-924 993-70/541
- 3 = 29-924 990-24/000
- 4 = 29-924 993-70/543
- 5 = 29-924 993-70/544

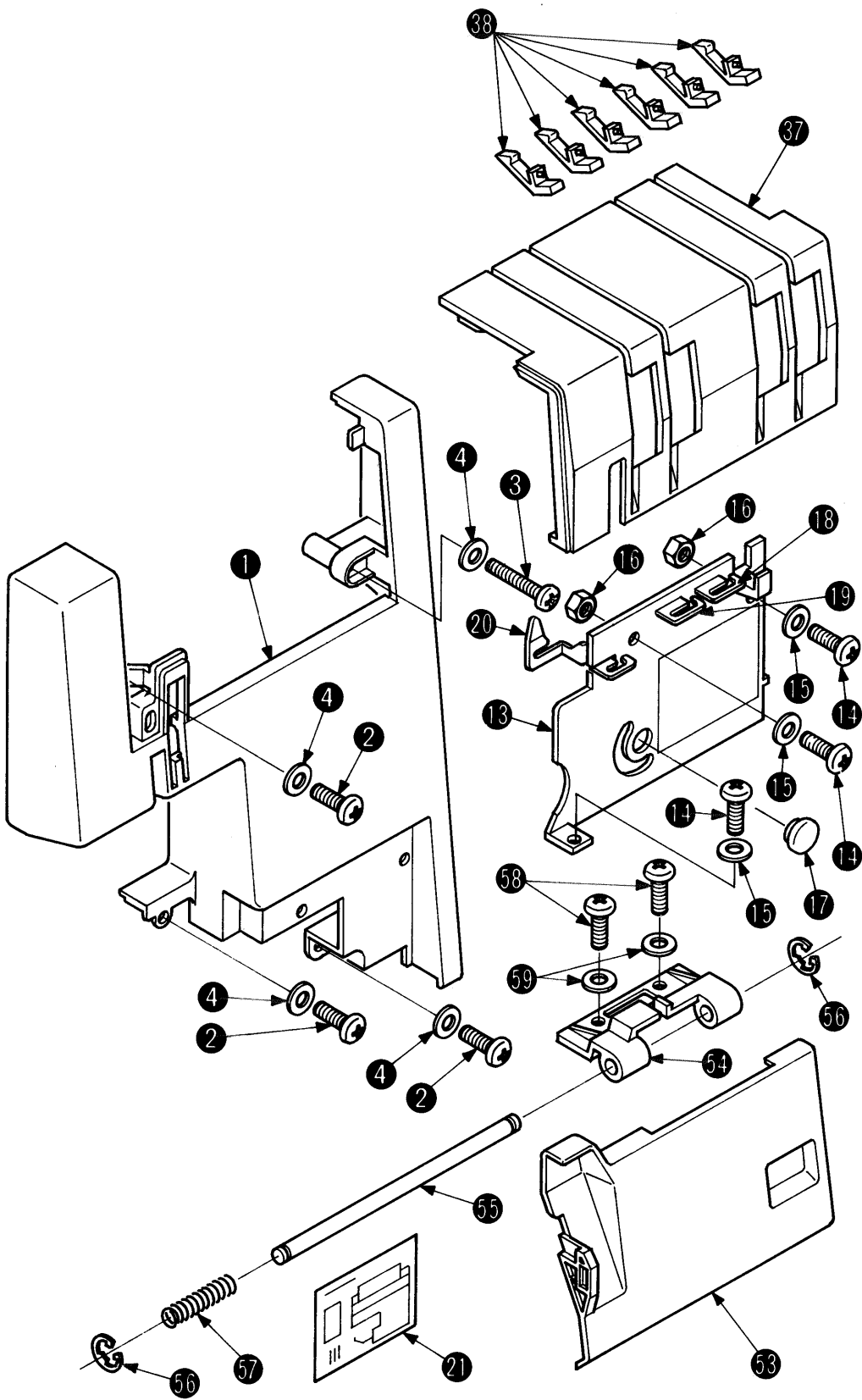
- 6 = 29-924 993-70/545
- 7 = 29-924 993-54/000
- 8 = 29-924 993-70/437
- 9 = 29-924 993-70/782
- 10 = 29-924 993-70/685



- | | |
|-----------------------|------------------------|
| 1 = 29-924 993-70/716 | 8 = 29-924 993-70/081 |
| 2 = 29-924 993-70/247 | 9 = 29-924 993-70/641 |
| 3 = 29-924 993-70/547 | 10 = 29-924 993-70/252 |
| 4 = 29-924 993-70/083 | 11 = 29-924 993-70/686 |
| 5 = 29-924 993-70/250 | 12 = 29-924 993-70/687 |
| 6 = 29-924 993-70/249 | 13 = 29-924 993-70/445 |
| 7 = 49-019 914-31/000 | 14 = 29-924 993-70/820 |

Gehäuse-Abdeckungen / Oberfadenspannung
Housing covers / top feed tension
Caches / Tension supérieure
Tapas de la carcasa / Tensión del hilo superior
Coperchi del carter / Tensione superiore



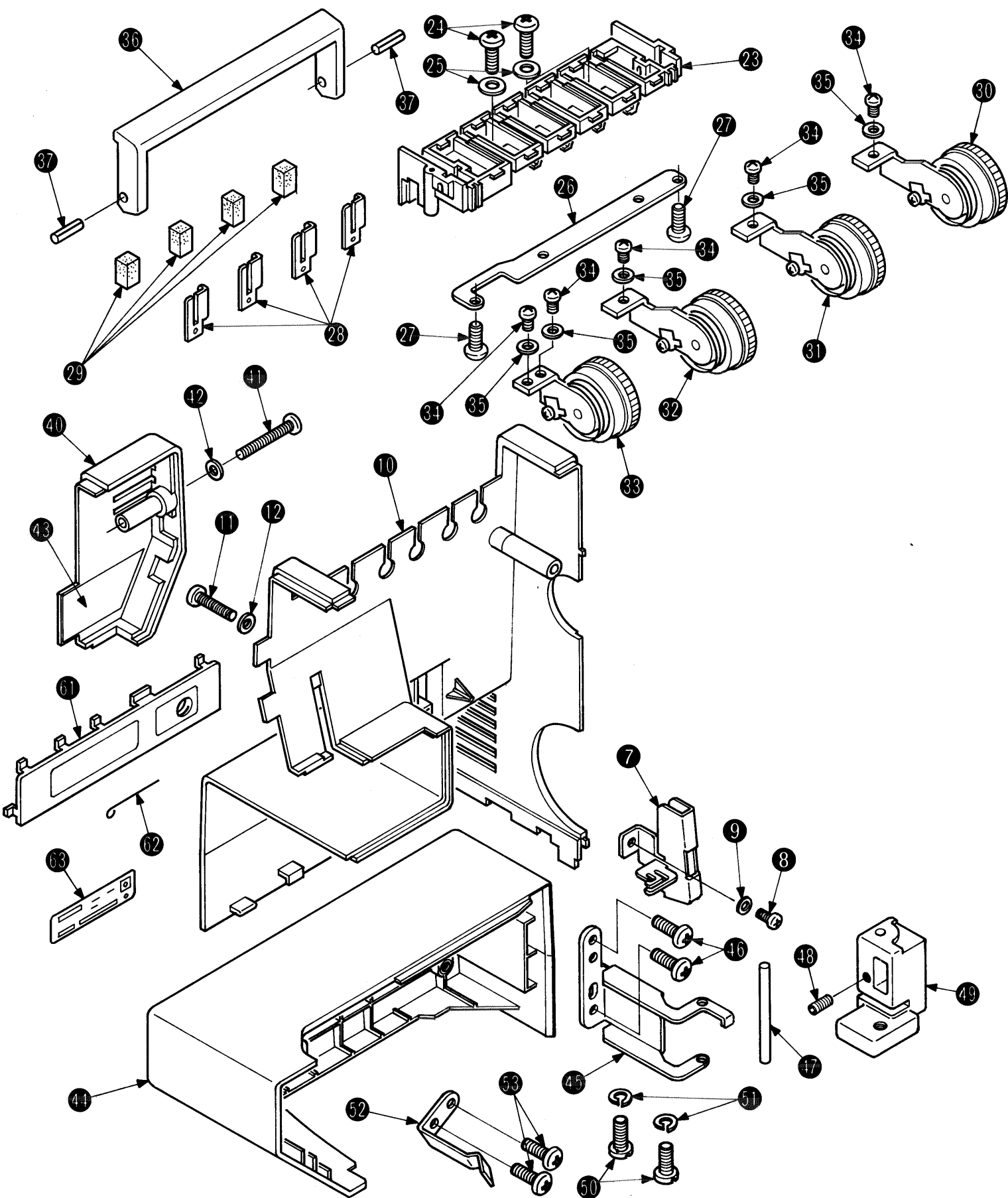


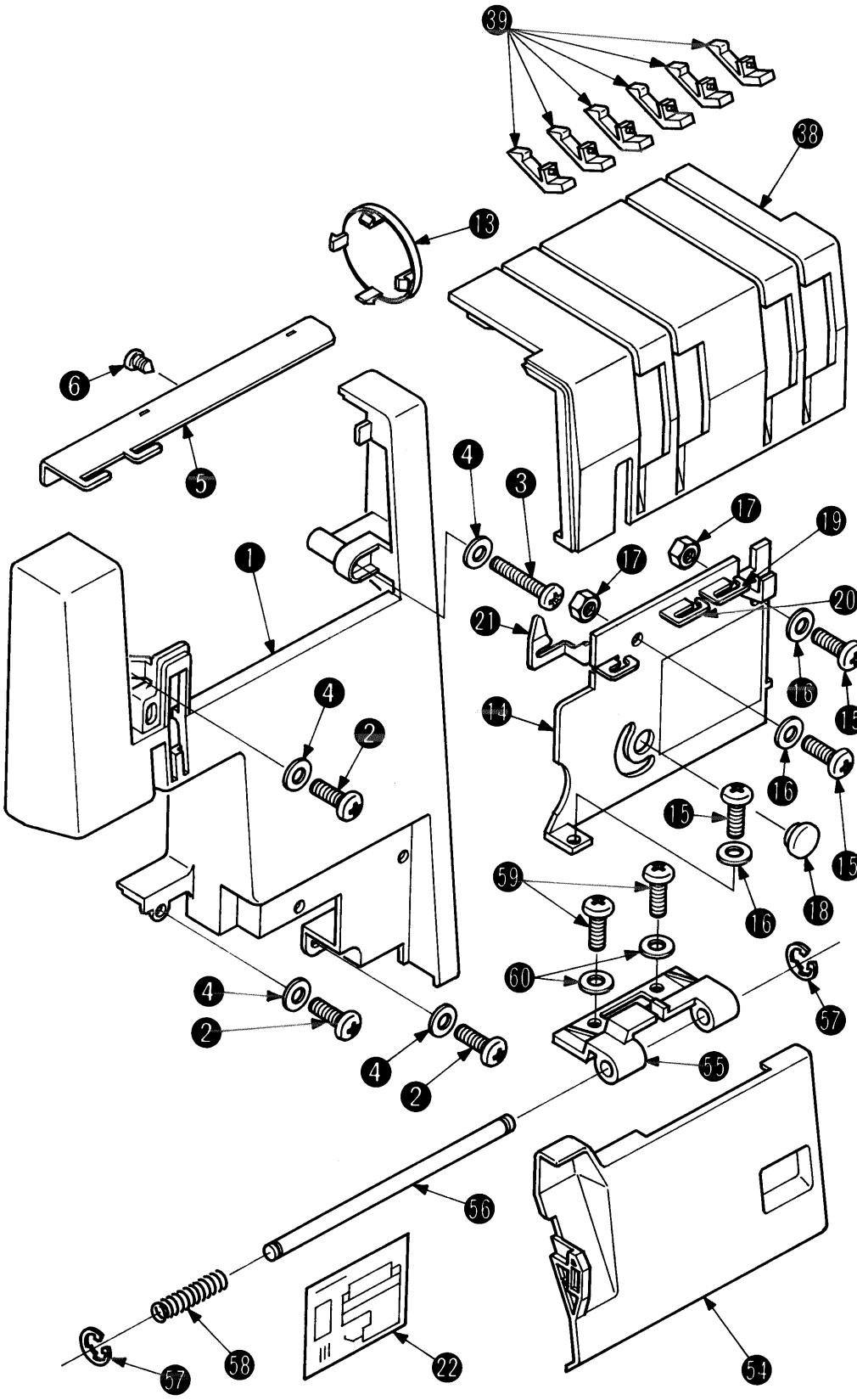
- 1 = 29-924 993-70/822
- 2 = 29-924 993-70/689
- 3 = 29-924 993-70/690
- 4 = 29-924 993-70/364
- 5 = 29-924 993-70/786
- 6 = 29-924 993-70/494
- 7 = 29-924 993-70/787
- 8 = 29-924 993-70/640

- 9 = 29-924 993-70/030
- 10 = 29-924 993-70/693
- 11 = 29-924 993-70/694
- 12 = 29-924 993-70/364
- 13 = 29-924 993-70/696
- 14 = 29-924 993-70/689
- 15 = 29-924 993-70/364
- 16 = 29-924 990-24/000

- 17 = 29-924 993-70/385
- 18 = 29-924 993-70/698
- 19 = 29-924 993-70/699
- 20 = 29-924 993-70/700
- 21 = 29-924 993-70/788
- 22 = 29-924 993-70/702
- 23 = 29-924 993-70/703
- 24 = 29-924 993-70/364
- 25 = 29-924 993-70/704
- 26 = 29-924 993-70/090
- 27 = 29-924 993-70/705
- 28 = 29-924 993-70/706
- 29 = 29-924 993-70/707
- 30 = 29-924 993-70/708
- 31 = 29-924 993-70/789
- 32 = 29-924 993-70/709
- 33 = 29-924 993-70/710
- 34 = 29-924 993-70/711
- 35 = 29-924 993-70/712
- 36 = 29-924 993-70/218
- 37 = 29-924 993-70/790
- 38 = 29-924 993-70/714
- 39 = 29-924 993-70/715
- 40 = 29-924 993-70/690
- 41 = 29-924 993-70/364
- 42 = 29-924 993-70/717
- 43 = 29-924 993-70/718
- 44 = 29-924 993-70/719
- 45 = 29-924 993-70/627
- 46 = 29-924 993-70/579
- 47 = 29-924 990-20/000
- 48 = 29-924 993-70/580
- 49 = 29-924 990-04/000
- 50 = 29-924 990-05/000
- 51 = 29-924 993-70/721
- 52 = 29-924 993-70/494
- 53 = 29-924 993-70/791
- 54 = 29-924 993-70/722
- 55 = 29-924 993-70/723
- 56 = 29-924 993-70/465
- 57 = 29-924 993-70/724
- 58 = 29-924 993-70/689
- 59 = 29-924 993-70/364
- 60 = 29-924 993-70/725
- 61 = 29-924 993-70/726
- 62 = 29-924 993-70/697

Gehäuse-Abdeckungen / Oberfadenspannung
Housing covers / top feed tension
Caches / Tension supérieure
Tapas de la carcasa / Tensión del hilo superior
Coperchi del carter / Tensione superiore





- 17 = 29-924 990-24/000
- 18 = 29-924 993-70/385
- 19 = 29-924 993-70/698
- 20 = 29-924 993-70/699
- 21 = 29-924 993-70/700
- 22 = 29-924 993-70/788
- 23 = 29-924 993-70/702
- 24 = 29-924 993-70/703
- 25 = 29-924 993-70/364
- 26 = 29-924 993-70/704
- 27 = 29-924 993-70/090
- 28 = 29-924 993-70/705
- 29 = 29-924 993-70/706
- 30 = 29-924 993-70/709
- 31 = 29-924 993-70/789
- 32 = 29-924 993-70/708
- 33 = 29-924 993-70/707
- 34 = 29-924 993-70/710
- 35 = 29-924 993-70/711
- 36 = 29-924 993-70/712
- 37 = 29-924 993-70/218
- 38 = 29-924 993-70/790
- 39 = 29-924 993-70/714
- 40 = 29-924 993-70/715
- 41 = 29-924 993-70/690
- 42 = 29-924 993-70/364
- 43 = 29-924 993-70/717
- 44 = 29-924 993-70/718
- 45 = 29-924 993-70/719
- 46 = 29-924 993-70/627
- 47 = 29-924 993-70/579
- 48 = 29-924 990-20/000
- 49 = 29-924 993-70/580
- 50 = 29-924 990-04/000
- 51 = 29-924 990-05/000
- 52 = 29-924 993-70/721
- 53 = 29-924 993-70/494
- 54 = 29-924 993-70/791
- 55 = 29-924 993-70/722
- 56 = 29-924 993-70/723
- 57 = 29-924 993-70/465
- 58 = 29-924 993-70/724
- 59 = 29-924 993-70/689
- 60 = 29-924 993-70/364
- 61 = 29-924 993-70/725
- 62 = 29-924 993-70/726
- 63 = 29-924 993-70/697

- 1 = 29-924 993-70/785
- 2 = 29-924 993-70/689
- 3 = 29-924 993-70/690
- 4 = 29-924 993-70/364
- 5 = 29-924 993-70/786
- 6 = 29-924 993-70/494
- 7 = 29-924 993-70/787
- 8 = 29-924 993-70/640
- 9 = 29-924 993-70/030
- 10 = 29-924 993-70/693
- 11 = 29-924 993-70/694
- 12 = 29-924 993-70/364
- 13 = 29-924 993-70/695
- 14 = 29-924 993-70/696
- 15 = 29-924 993-70/689
- 16 = 29-924 993-70/364