

PFAFF®

hobbylock 783

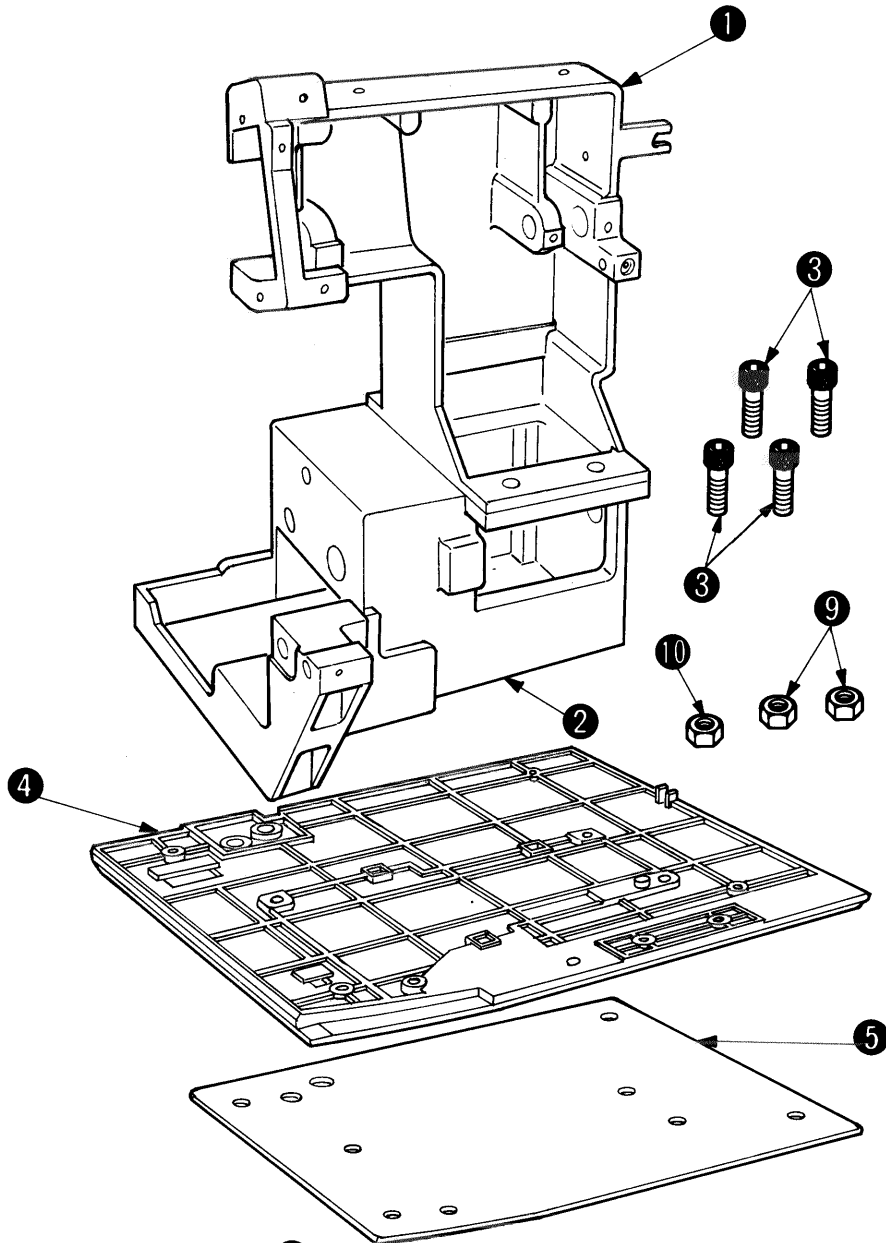
Bestandteile-Liste

List of spare parts

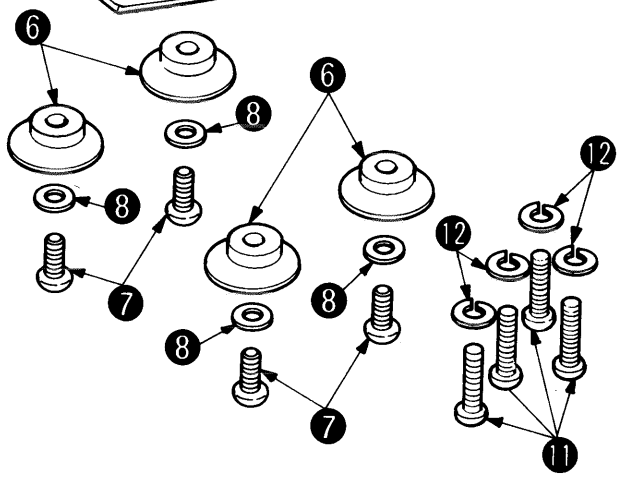
Liste des pièces détachées

Catalogo pezzi staccati

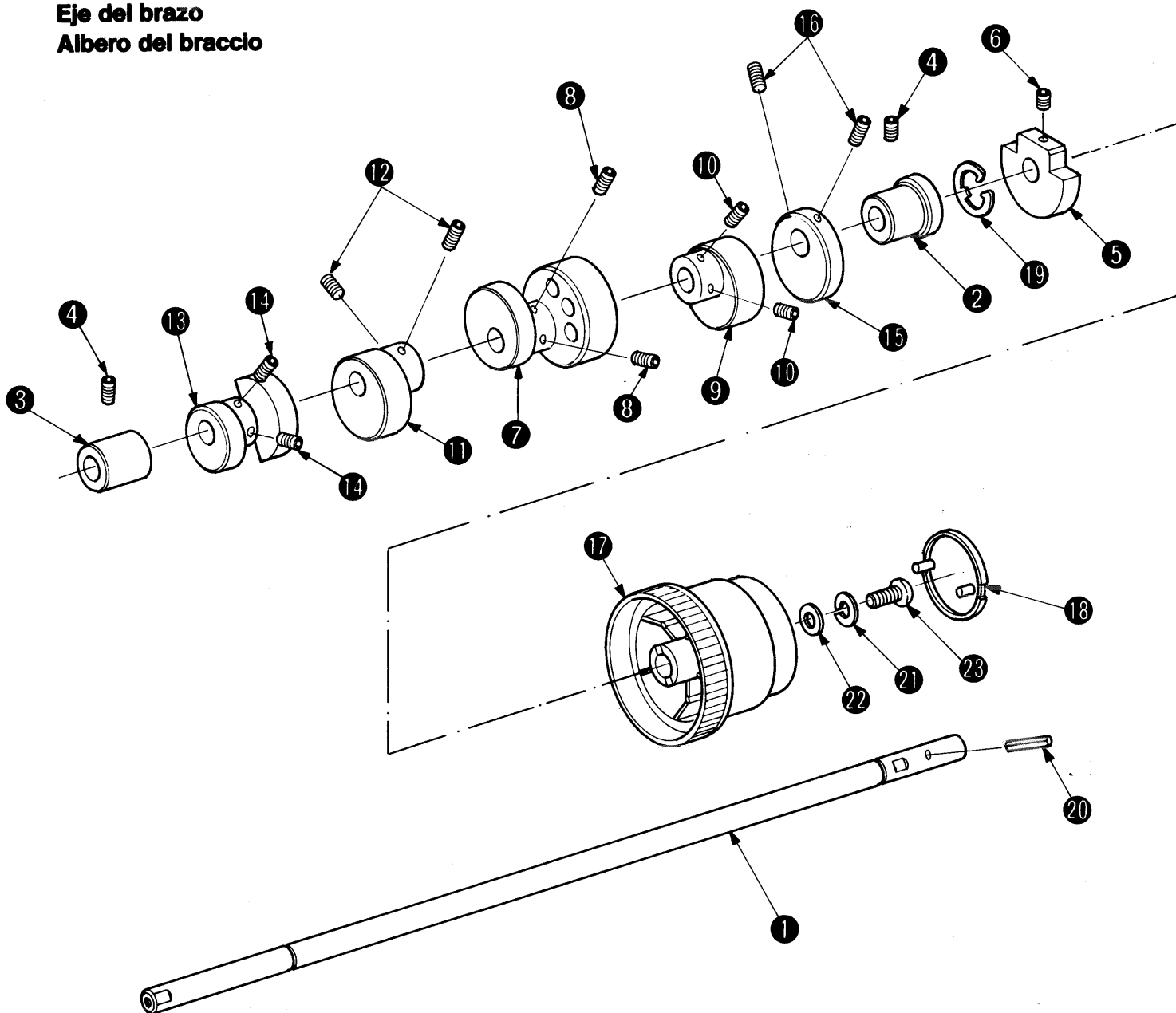
Lista de piezas de repuesto



- 1 = 29-924 993-70/584
- 2 = 29-924 993-70/585
- 3 = 29-924 993-70/586
- 4 = 29-924 993-70/587
- 5 = 29-924 993-70/588
- 6 = 29-924 993-70/089
- 7 = 29-924 993-70/090
- 8 = 29-924 993-70/310
- 9 = 29-924 990-24/000
- 10 = 29-924 990-24/000
- 11 = 29-924 993-70/589
- 12 = 29-924 993-70/023



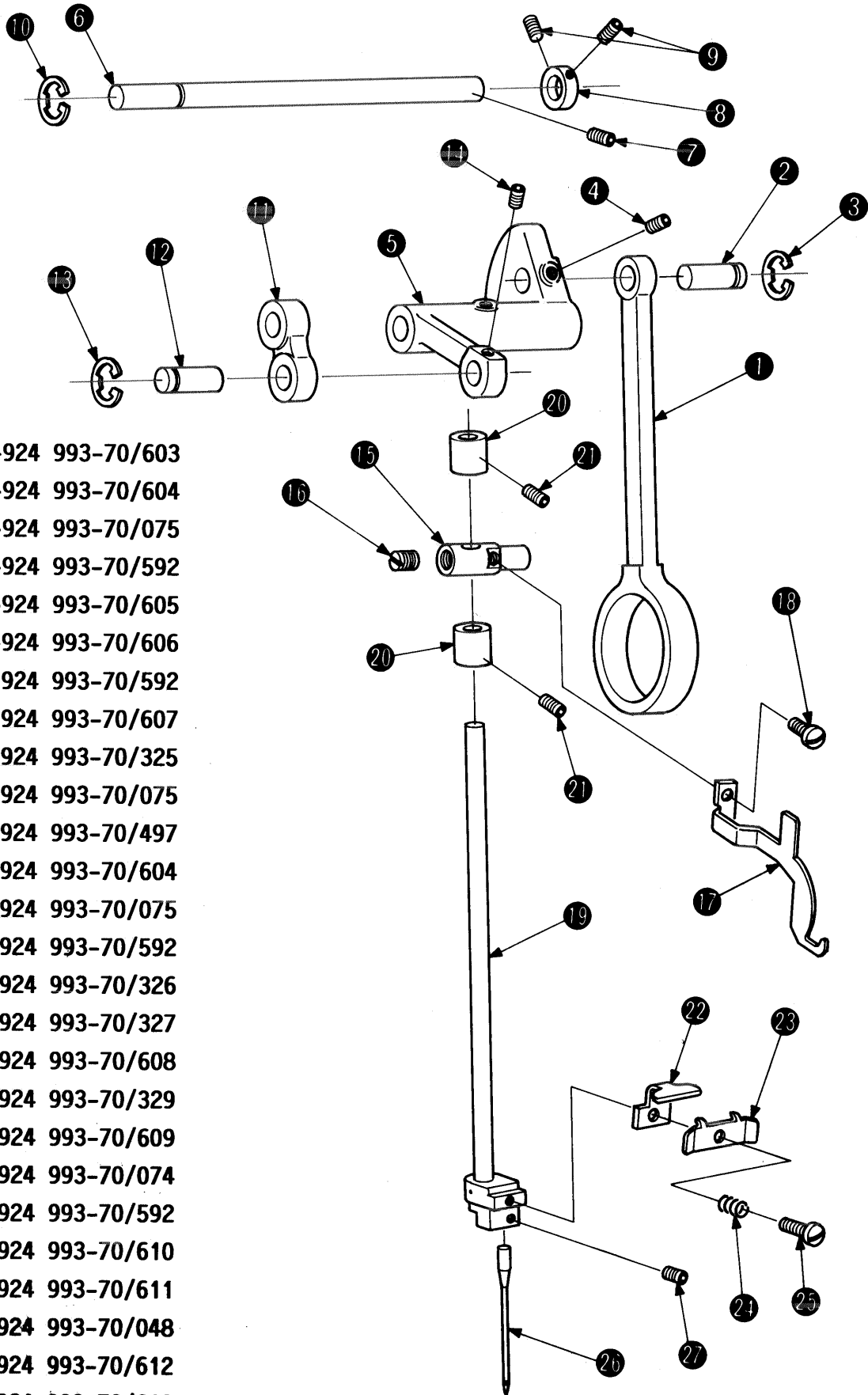
Armwelle
Arm shaft
Arbre de bras
Eje del brazo
Albero del braccio



- 1 = 29-924 993-70/590
- 2 = 29-924 993-15/000
- 3 = 29-924 993-70/591
- 4 = 29-924 993-70/592
- 5 = 29-924 993-70/593
- 6 = 29-924 993-70/592
- 7 = 29-924 993-70/594
- 8 = 29-924 993-70/592
- 9 = 29-924 993-70/595
- 10 = 29-924 993-70/592
- 11 = 29-924 993-70/596
- 12 = 29-924 993-70/592

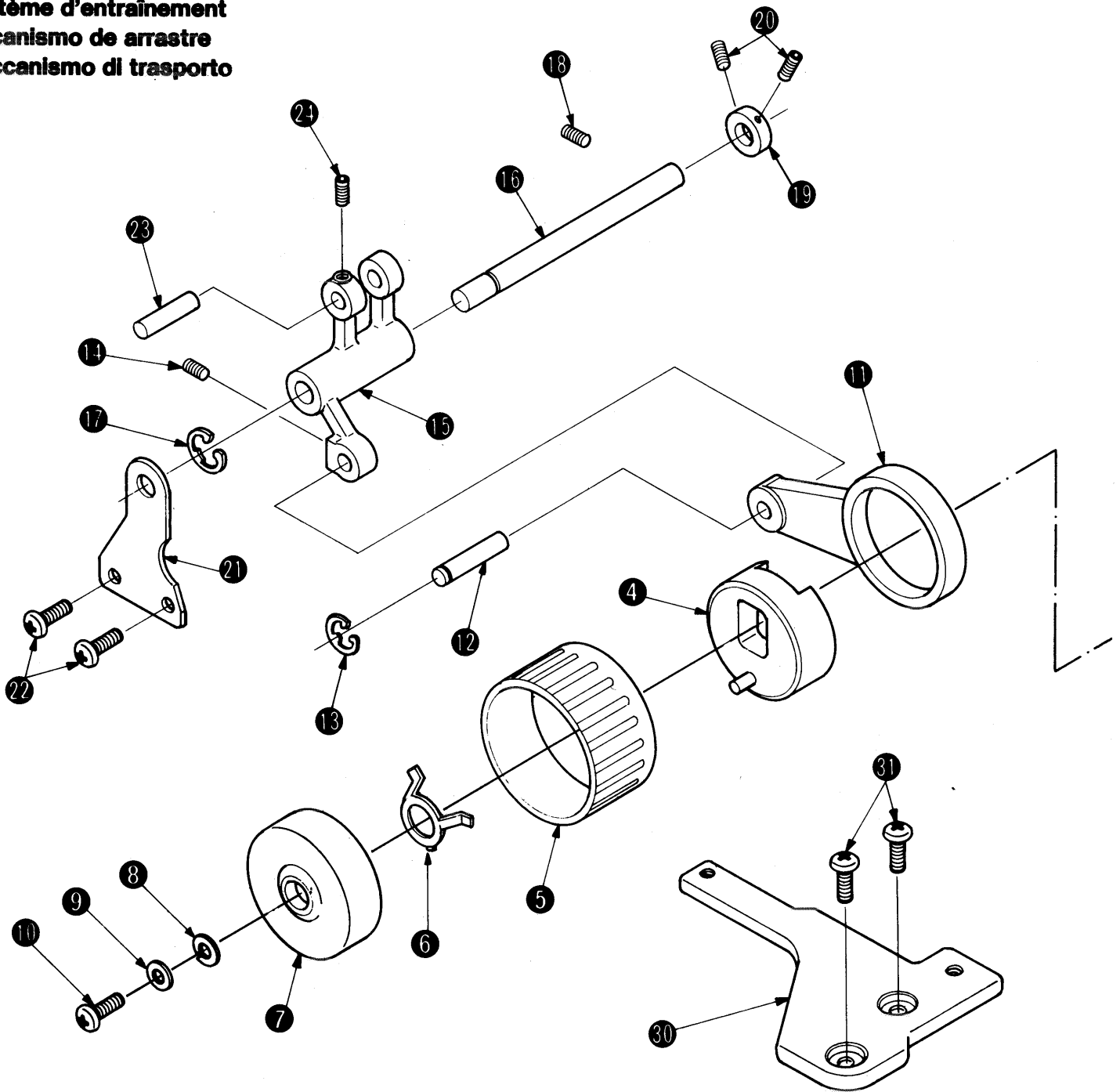
- 13 = 29-924 993-70/597
- 14 = 29-924 993-70/592
- 15 = 29-924 993-70/598
- 16 = 29-924 993-70/592
- 17 = 29-924 993-70/599
- 18 = 29-924 993-70/600
- 19 = 29-924 993-70/042
- 20 = 29-924 993-70/043
- 21 = 29-924 993-70/601
- 22 = 29-924 993-70/602
- 23 = 29-924 993-70/321

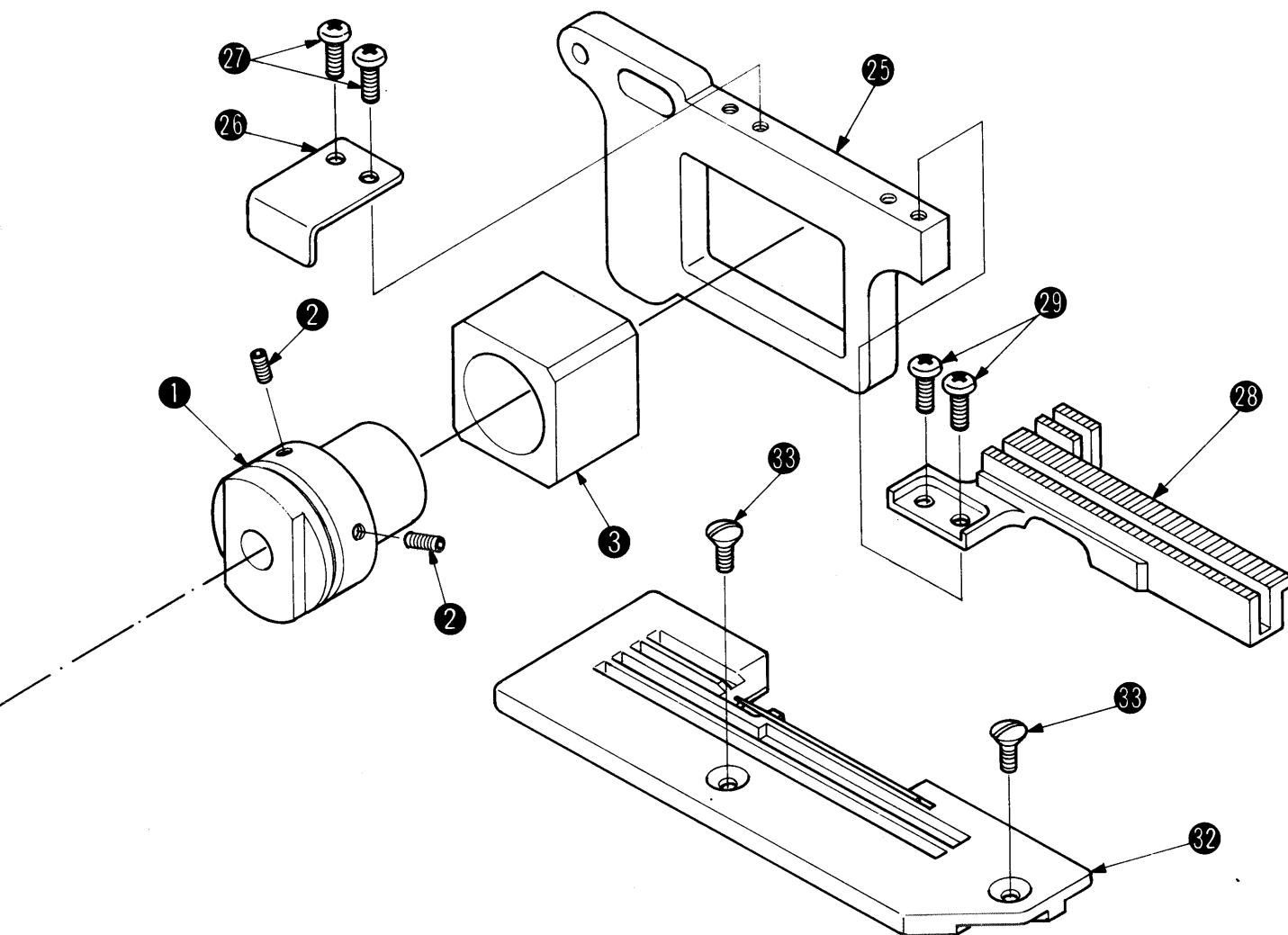
Nadelstange mit Antrieb
Needle bar with drive
Barre à aiguille avec commande
Barra de aguja con accionamiento
Barra d'ago con comando



- 1 = 29-924 993-70/603
- 2 = 29-924 993-70/604
- 3 = 29-924 993-70/075
- 4 = 29-924 993-70/592
- 5 = 29-924 993-70/605
- 6 = 29-924 993-70/606
- 7 = 29-924 993-70/592
- 8 = 29-924 993-70/607
- 9 = 29-924 993-70/325
- 10 = 29-924 993-70/075
- 11 = 29-924 993-70/497
- 12 = 29-924 993-70/604
- 13 = 29-924 993-70/075
- 14 = 29-924 993-70/592
- 15 = 29-924 993-70/326
- 16 = 29-924 993-70/327
- 17 = 29-924 993-70/608
- 18 = 29-924 993-70/329
- 19 = 29-924 993-70/609
- 20 = 29-924 993-70/074
- 21 = 29-924 993-70/592
- 22 = 29-924 993-70/610
- 23 = 29-924 993-70/611
- 24 = 29-924 993-70/048
- 25 = 29-924 993-70/612
- 26 = 29-924 993-70/613
- 27 = 29-924 993-70/614

Transport-Einrichtung
Feeding mechanism
Système d'entraînement
Mecanismo de arrastre
Meccanismo di trasporto

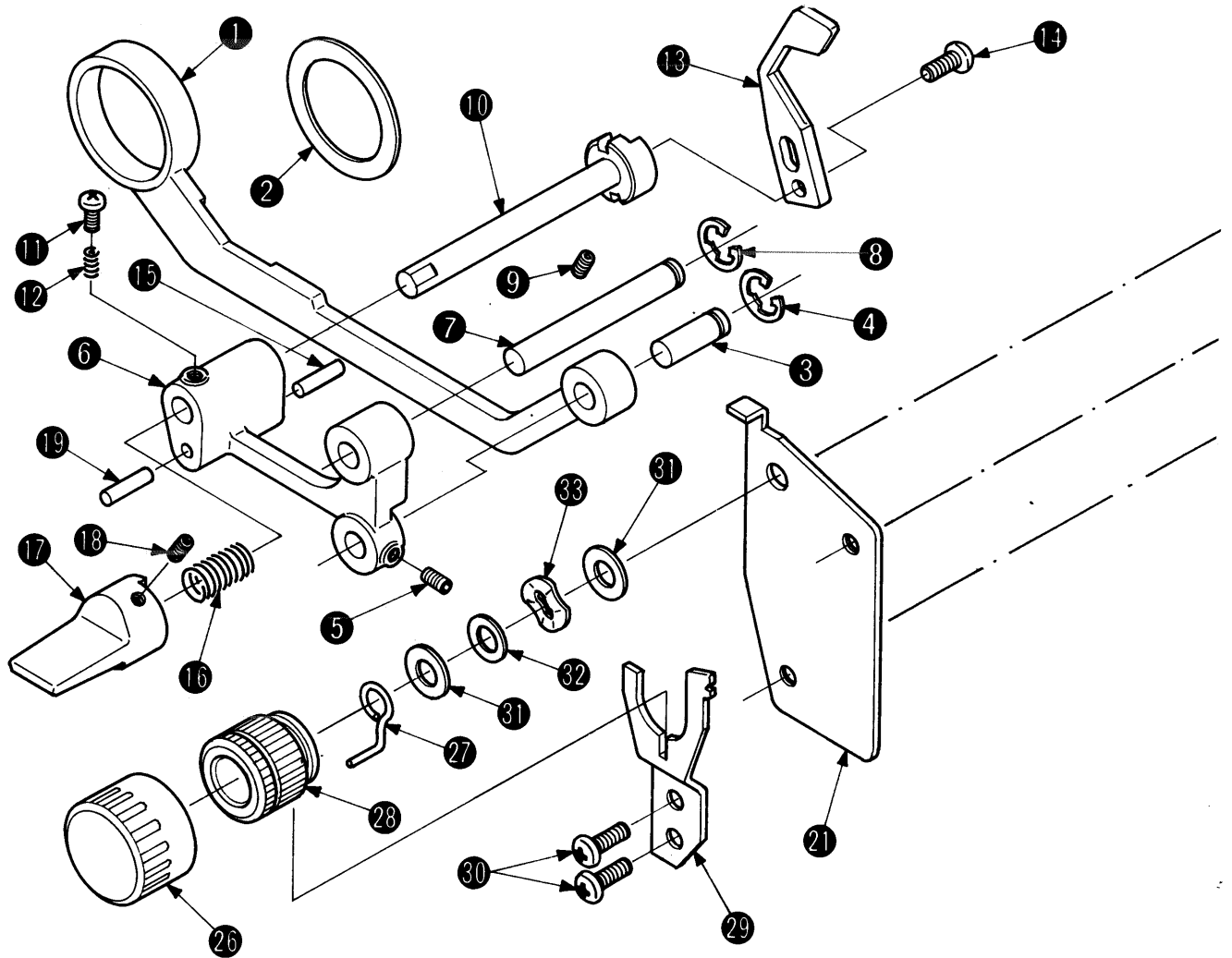


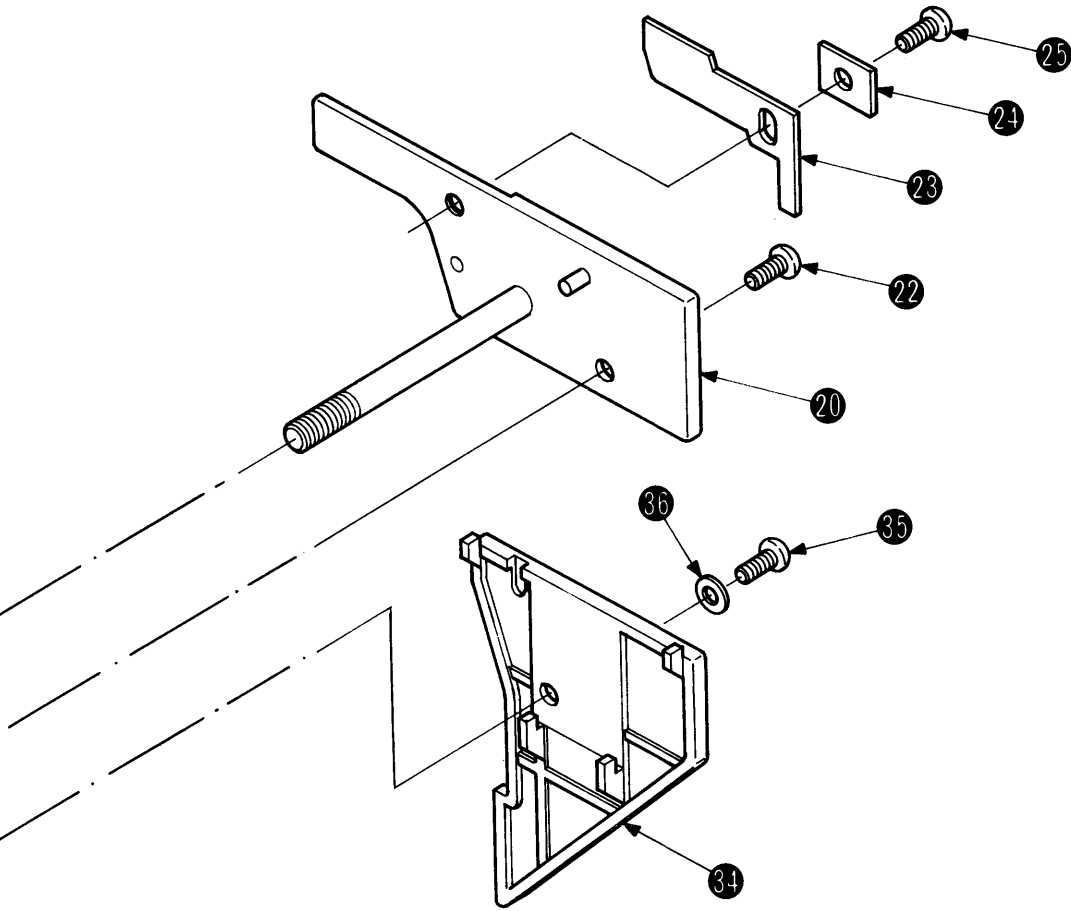


1 = 29-924 993-70/615
 2 = 29-924 993-70/592
 3 = 29-924 993-70/616
 4 = 29-924 993-70/617
 5 = 29-924 993-70/618
 6 = 29-924 993-70/619
 7 = 29-924 993-70/620
 8 = 29-924 993-70/364
 9 = 29-924 993-70/023
 10 = 29-924 993-70/621
 11 = 29-924 993-70/622
 12 = 29-924 993-70/623
 13 = 29-924 993-70/402
 14 = 29-924 993-70/592
 15 = 29-924 993-70/624
 16 = 29-924 993-70/625
 17 = 29-924 993-70/075

18 = 29-924 993-70/592
 19 = 29-924 993-21/000
 20 = 29-924 993-70/325
 21 = 29-924 993-70/626
 22 = 29-924 993-70/627
 23 = 29-924 993-70/335
 24 = 29-924 993-70/592
 25 = 29-924 993-70/628
 26 = 29-924 993-70/629
 27 = 29-924 993-70/630
 28 = 29-924 993-70/631
 29 = 29-924 993-70/630
 30 = 29-924 993-70/632
 31 = 29-924 993-70/627
 32 = 29-924 993-70/633
 33 = 29-924 993-70/384

Ober- und Untermesser
Upper and lower knife
Couteau supérieur et inférieur
Cuchilla superior e inferior
Coltello superiore ed inferiore

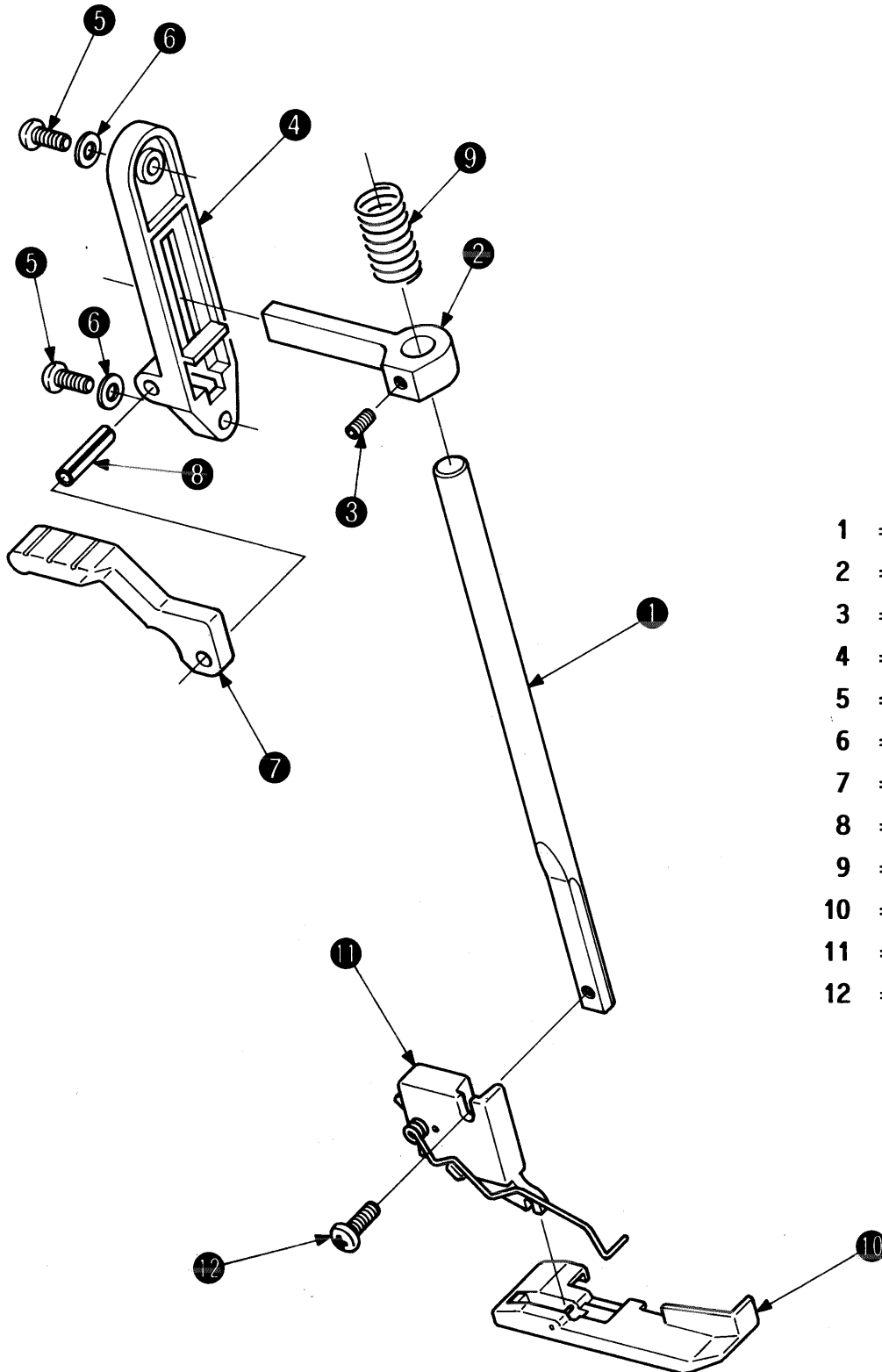




- 1 = 29-924 993-70/634
- 2 = 29-924 993-70/635
- 3 = 29-924 993-70/636
- 4 = 29-924 993-70/066
- 5 = 29-924 993-70/592
- 6 = 29-924 993-70/637
- 7 = 29-924 993-70/638
- 8 = 29-924 993-70/066
- 9 = 29-924 993-70/592
- 10 = 29-924 993-70/639
- 11 = 29-924 993-70/640
- 12 = 29-924 993-70/135
- 13 = 29-924 993-70/641
- 14 = 29-924 993-70/621
- 15 = 29-924 993-70/642
- 16 = 29-924 993-70/643
- 17 = 29-924 993-70/644
- 18 = 29-924 993-70/592

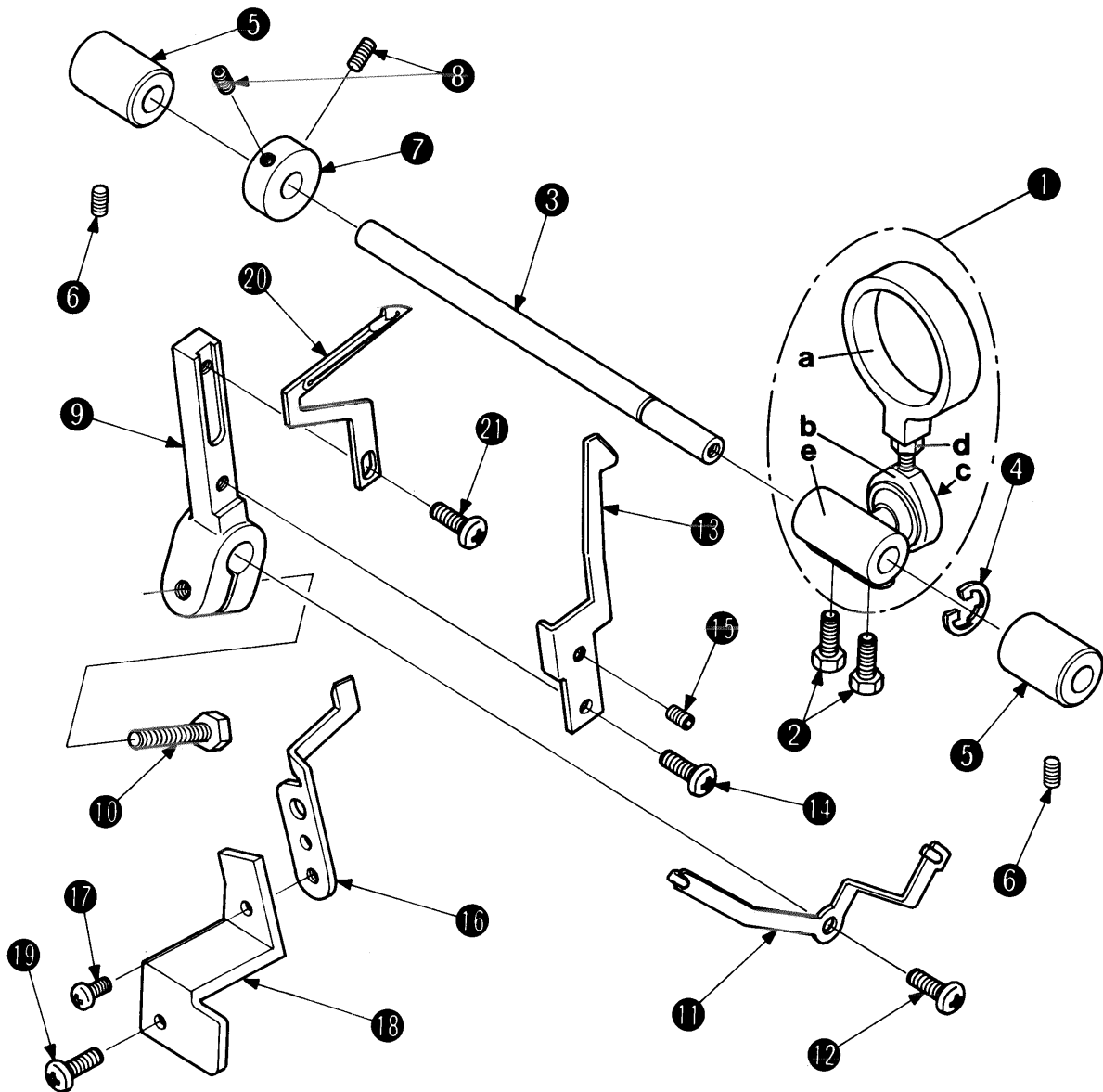
- 19 = 29-924 993-70/645
- 20 = 29-924 993-70/646
- 21 = 29-924 993-70/647
- 22 = 29-924 993-70/648
- 23 = 29-924 993-70/649
- 24 = 29-924 993-70/650
- 25 = 29-924 993-70/627
- 26 = 29-924 993-70/651
- 27 = 29-924 993-70/394
- 28 = 29-924 993-70/390
- 29 = 29-924 993-70/652
- 30 = 29-924 993-70/627
- 31 = 29-924 993-70/602
- 32 = 29-924 993-70/361
- 33 = 29-924 993-70/144
- 34 = 29-924 993-70/653
- 35 = 29-924 993-70/648
- 36 = 29-924 993-70/367

Stoffdrückerstange mit Nähfuß
Presser bar with presser foot
Barre presse-tissu avec pied
Barra del prensatelas con prensatelas
Barra premistoffa con piedino



- 1 = 29-924 993-70/654
- 2 = 29-924 993-70/655
- 3 = 29-924 993-70/592
- 4 = 29-924 993-70/656
- 5 = 29-924 993-70/621
- 6 = 29-924 993-70/364
- 7 = 29-924 993-70/657
- 8 = 29-924 993-70/658
- 9 = 29-924 993-70/659
- 10 = 29-924 993-70/660
- 11 = 29-924 993-70/661
- 12 = 29-924 993-70/410

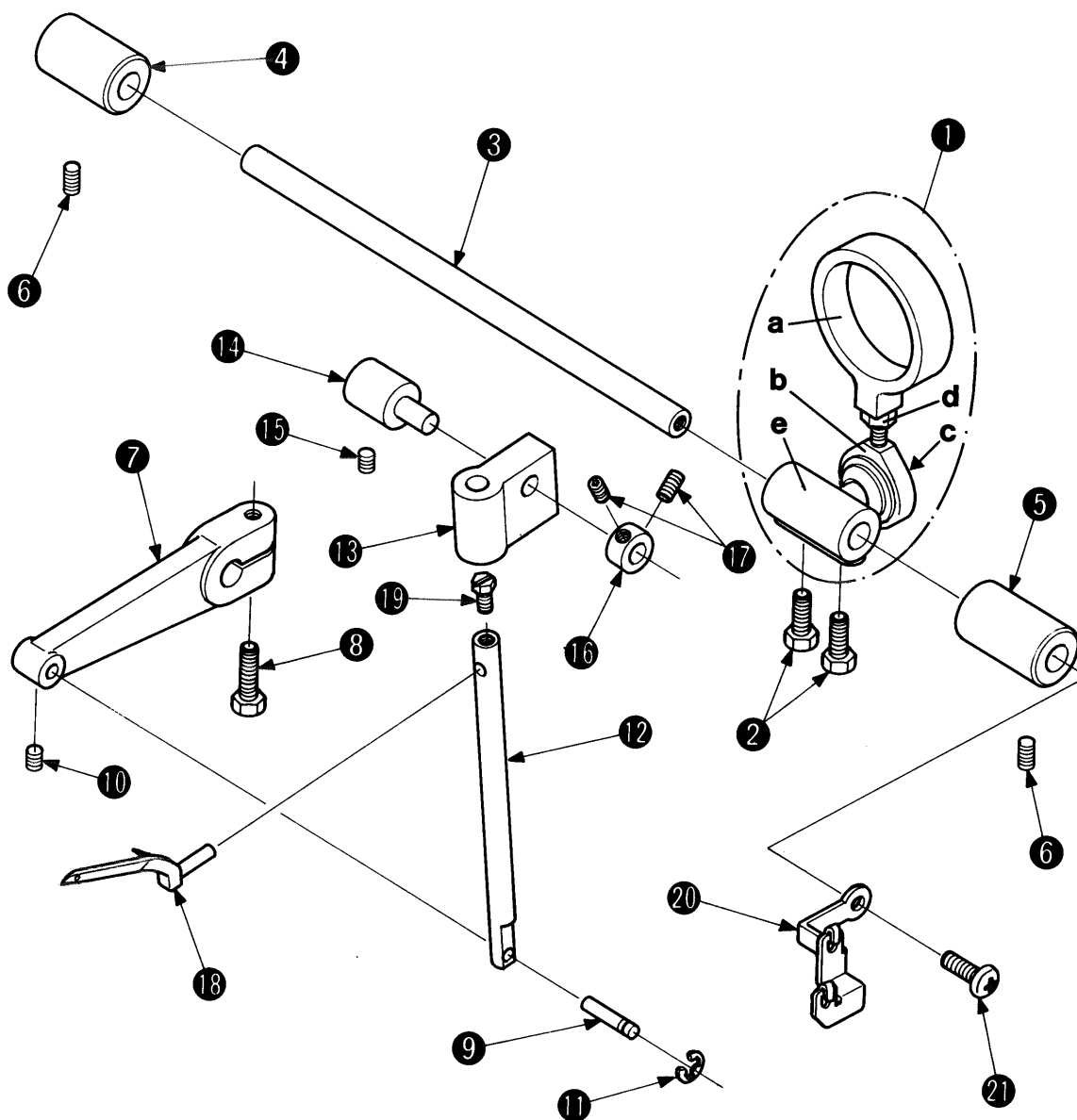
Linker Greifer
Left lopper
Boucleur gauche
Garfio izquierdo
Crochet sinistro



- 1 = 29-924 993-70/662
- a = 29-924 993-00/000
- b = 29-924 993-70/663
- c = 29-924 992-96/000
- d = 29-924 992-95/000
- e = 29-924 993-70/664
- 2 = 29-924 993-70/413
- 3 = 29-924 993-70/665
- 4 = 29-924 993-70/075
- 5 = 29-924 993-31/000
- 6 = 29-924 993-70/592
- 7 = 29-924 993-21/000
- 8 = 29-924 993-70/325

- 9 = 29-924 993-70/666
- 10 = 29-924 993-70/667
- 11 = 29-924 993-70/668
- 12 = 29-924 993-70/627
- 13 = 29-924 993-70/669
- 14 = 29-924 993-70/627
- 15 = 29-924 993-70/670
- 16 = 29-924 993-70/671
- 17 = 29-924 993-70/640
- 18 = 29-924 993-70/672
- 19 = 29-924 993-70/621
- 20 = 29-924 993-70/674
- 21 = 29-924 993-70/627

Rechter Greifer
Right looper
Boucleur droit
Garfio derecho
Crochet destro

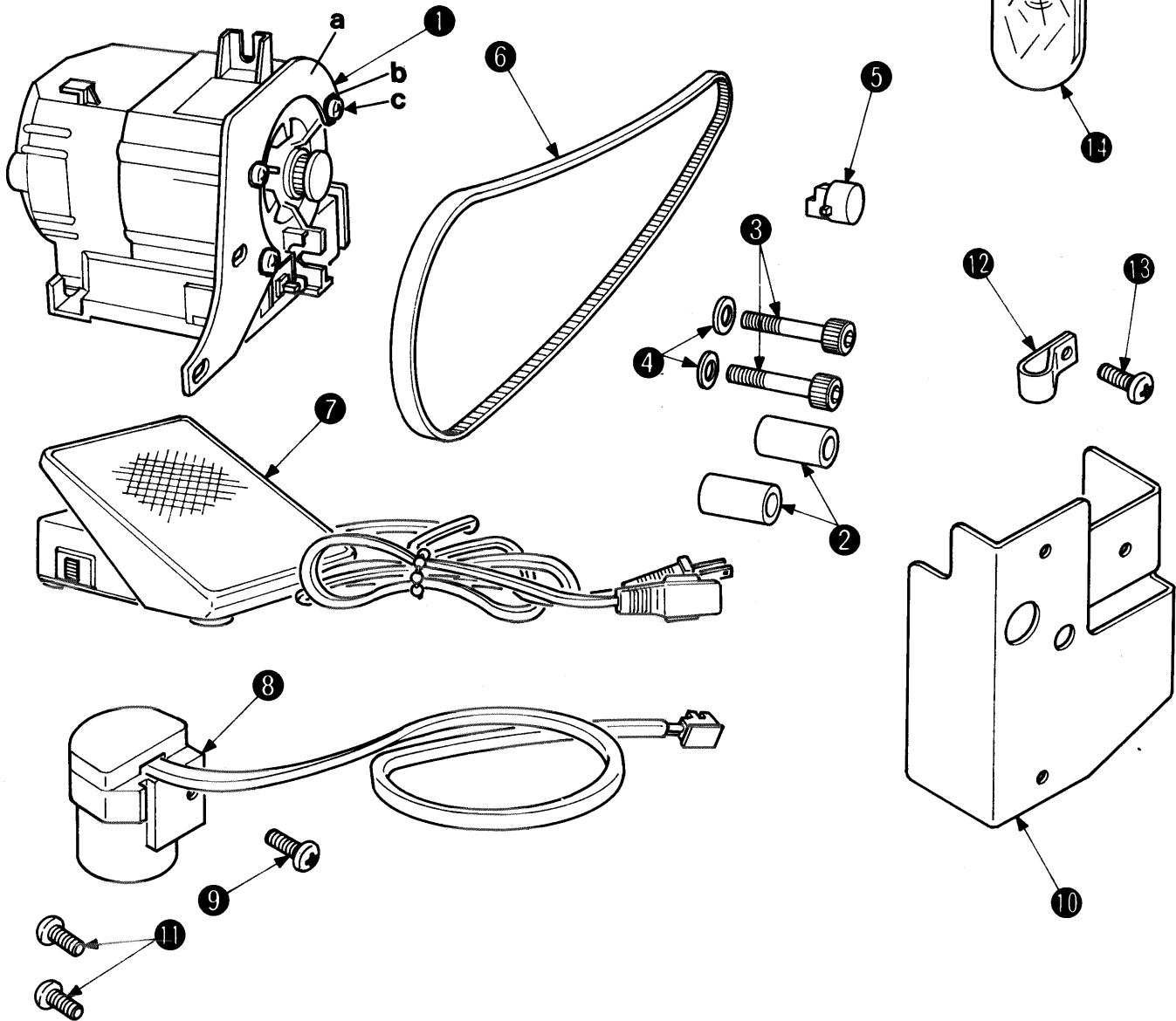


- 1 = 29-924 993-70/662
- a = 29-924 993-00/000
- b = 29-924 993-70/663
- c = 29-924 992-96/000
- d = 29-924 992-95/000
- e = 29-924 993-70/675
- 2 = 29-924 993-70/413
- 3 = 29-924 993-70/673
- 4 = 29-924 993-31/000
- 5 = 29-924 993-18/000
- 6 = 29-924 993-70/592
- 7 = 29-924 993-70/676
- 8 = 29-924 993-70/667

- 9 = 29-924 993-70/532
- 10 = 29-924 993-70/592
- 11 = 29-924 993-70/465
- 12 = 29-924 993-70/677
- 13 = 29-924 993-70/678
- 14 = 29-924 993-70/679
- 15 = 29-924 993-70/592
- 16 = 29-924 993-70/680
- 17 = 29-924 993-70/592
- 18 = 29-924 993-70/681
- 19 = 29-924 993-70/682
- 20 = 29-924 993-70/683
- 21 = 29-924 993-70/627

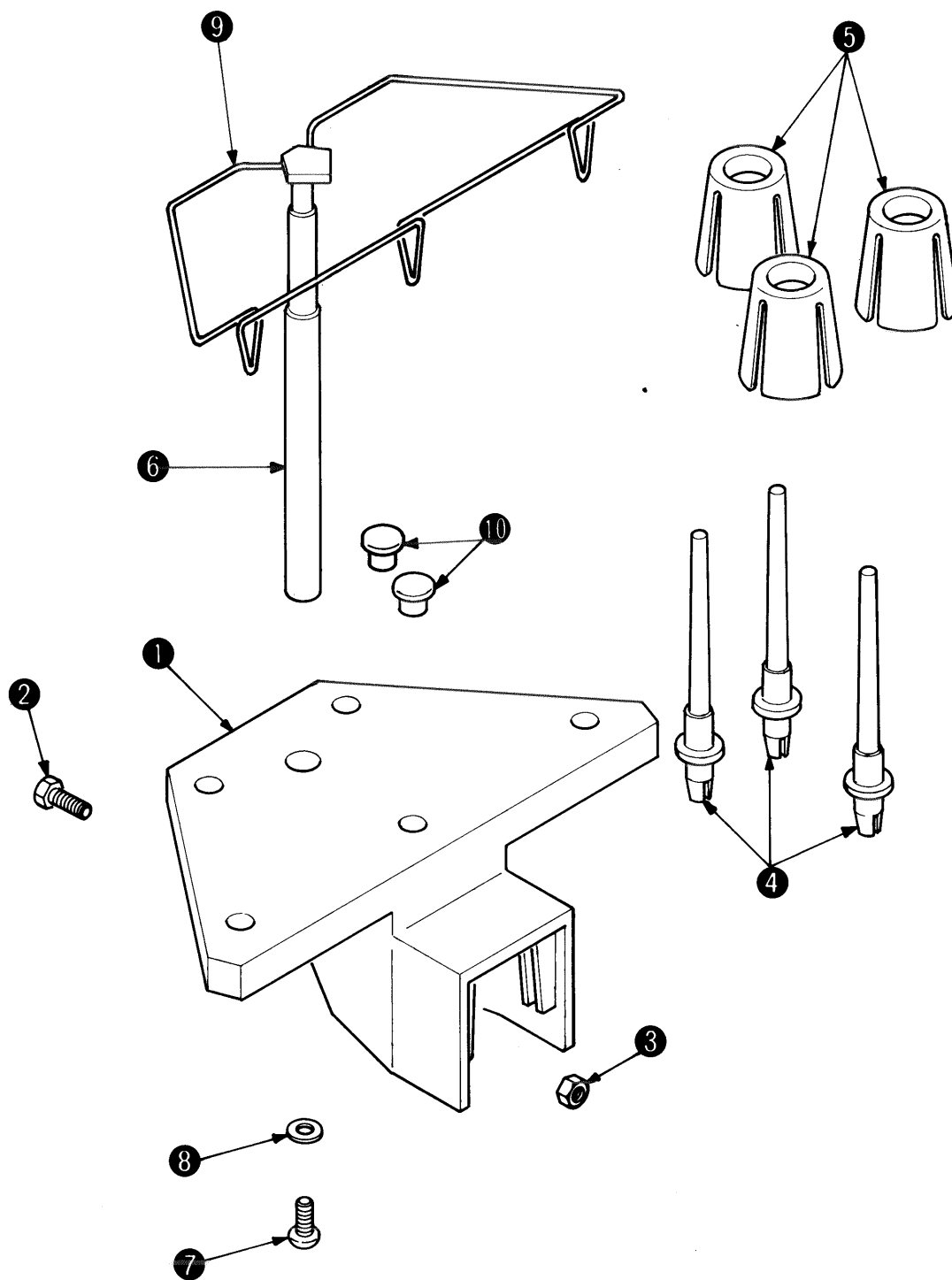
Motor / Anlasser / Einbauleuchte
Motor / foot control / built-in lamp
Moteur / Rhéostat à pédale / Lampe d'éclairage incorporée
Motor / Pedal de arranque / Lámpara incorporada
Motore / Reostato a pedale / Lampadina incorporata

9



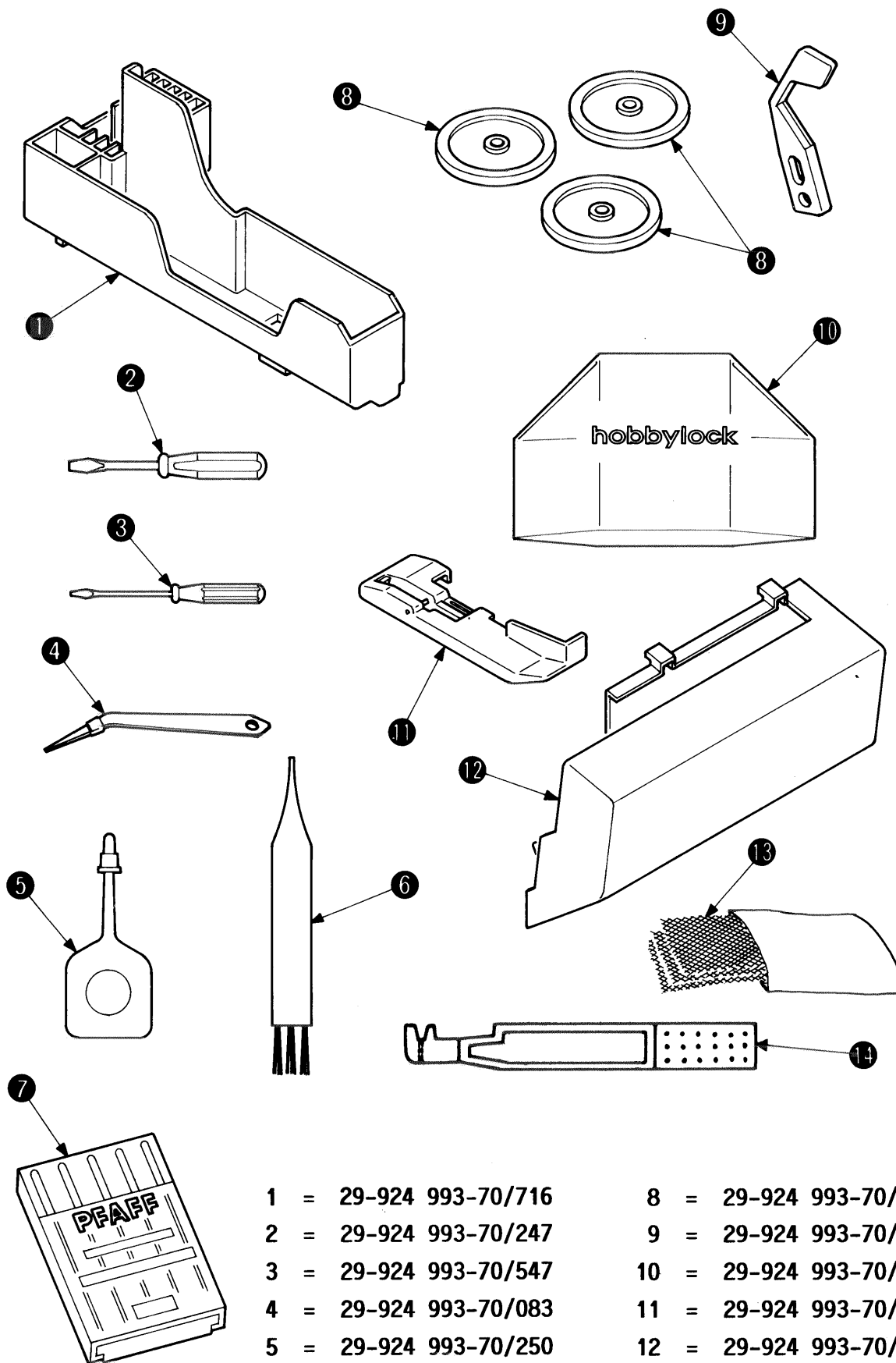
- 1 = 902-1002-020 220 V/VDE
- 902-1002-023 120 V
- 902-1002-021 240 V/BEAB/SAA
- a 92-328 651-75/000
- b 12-315 110-25/000
- c 11-190 174-25/000
- 2 = 29-924 993-70/784
- 3 = 29-924 993-70/781
- 4 = 29-924 993-70/025
- 5 = 92-328 653-91/000
- 6 = 92-326 871-05/000
- 7 = 902-2006-911 220 V/Standard
- 902-2300-911 220 V/Electronic

- 902-2300-913 120 V/Electronic
- 902-2300-914 240 V/Electronic, SAA
- 902-2300-916 240 V/Electronic, BEAB
- 8 = 902-3304-001 220 V/BEAB (240 V)
- 902-3304-013 120 V
- 902-3304-004 240 V/SAA
- 9 = 29-924 993-70/022
- 10 = 29-924 993-70/780
- 11 = 29-924 993-70/630
- 12 = 29-924 993-70/483
- 13 = 29-924 993-70/627
- 14 = 70-251 652-01 220 V
- 70-251 651-71 120 V



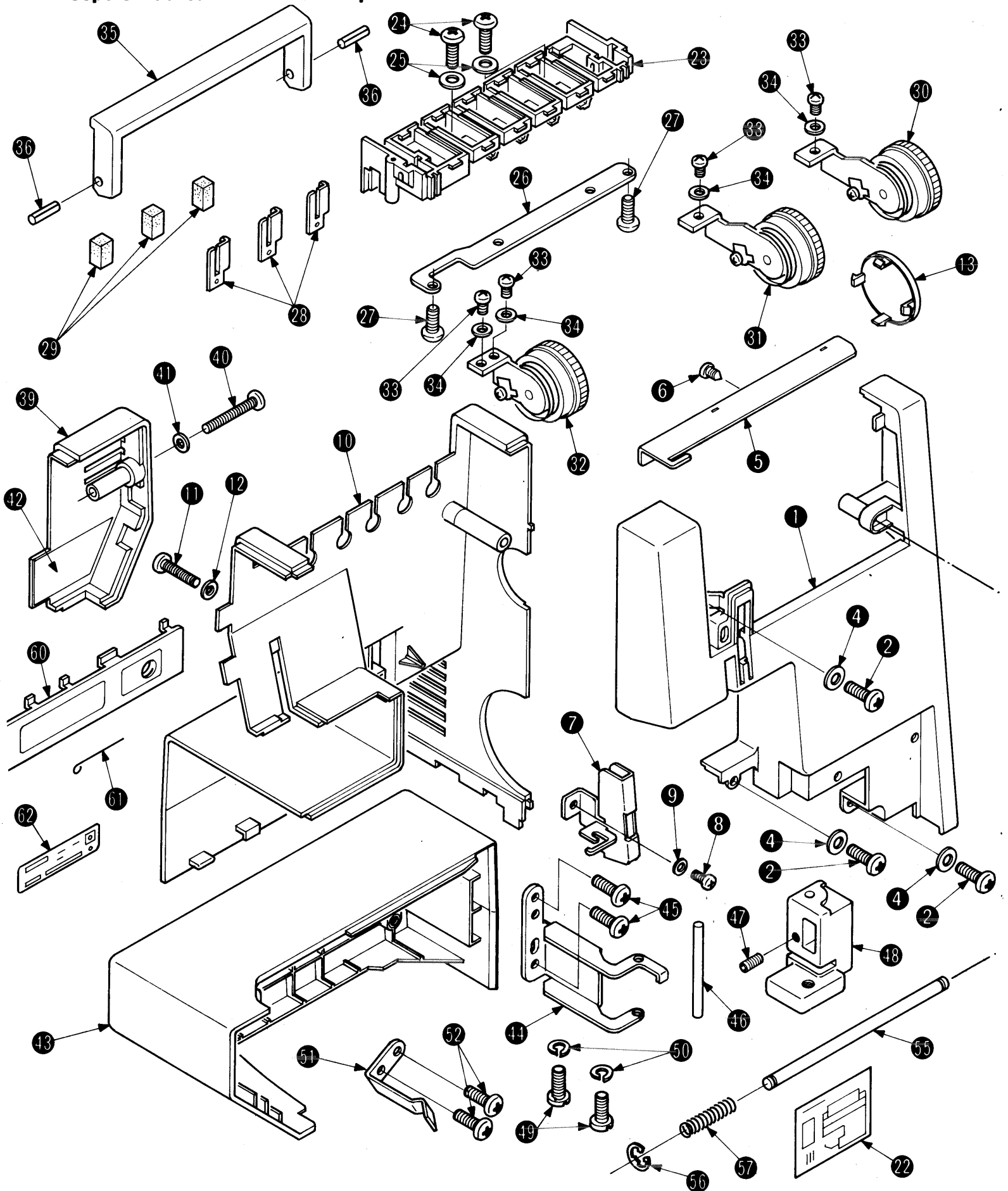
- 1 = 29-924 993-70/540
- 2 = 29-924 993-70/541
- 3 = 29-924 990-24/000
- 4 = 29-924 993-70/543
- 5 = 29-924 993-70/544

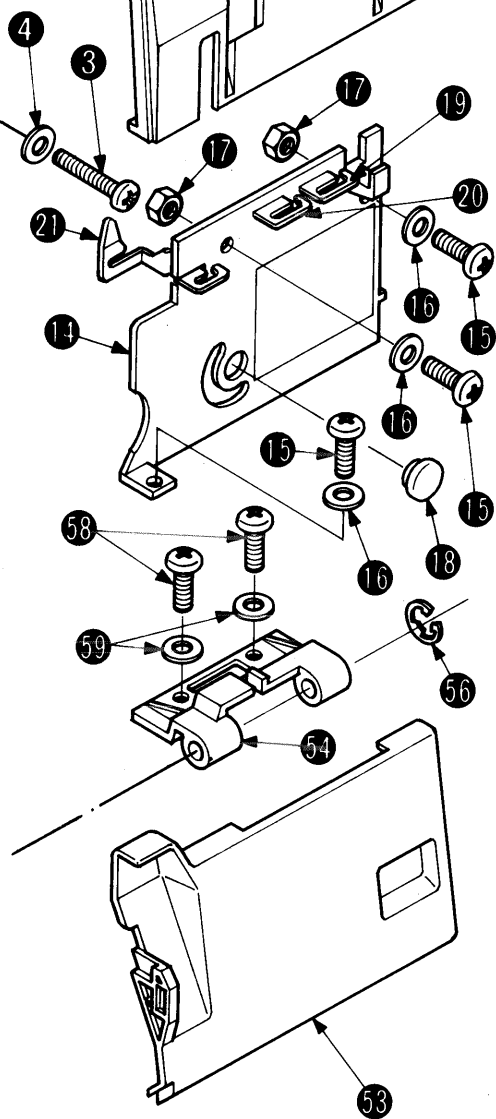
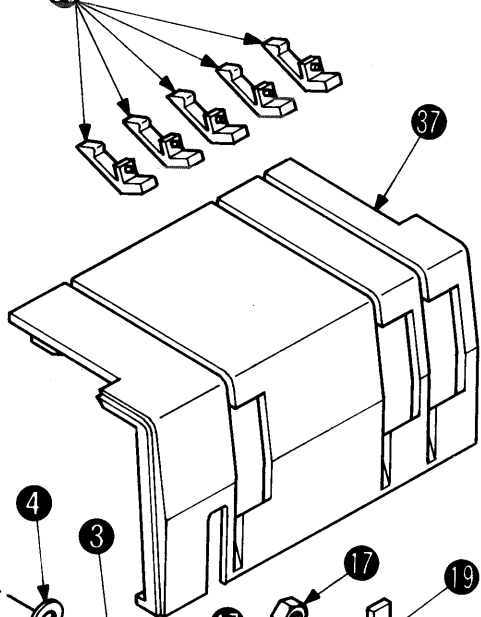
- 6 = 29-924 993-70/545
- 7 = 29-924 993-70/442
- 8 = 29-924 993-70/437
- 9 = 29-924 993-70/684
- 10 = 29-924 993-70/685



- | | |
|-----------------------|------------------------|
| 1 = 29-924 993-70/716 | 8 = 29-924 993-70/081 |
| 2 = 29-924 993-70/247 | 9 = 29-924 993-70/641 |
| 3 = 29-924 993-70/547 | 10 = 29-924 993-70/252 |
| 4 = 29-924 993-70/083 | 11 = 29-924 993-70/686 |
| 5 = 29-924 993-70/250 | 12 = 29-924 993-70/687 |
| 6 = 29-924 993-70/249 | 13 = 29-924 993-70/445 |
| 7 = 49-019 914-31/000 | 14 = 29-924 993-70/820 |

Gehäuse-Abdeckungen / Oberfadenspannung
Housing covers / top feed tension
Caches / Tension supérieure
Tapas de la carcasa / Tensión del hilo superior
Coperchi del carter / Tensione superiore





- 1 = 29-924 993-70/688
- 2 = 29-924 993-70/689
- 3 = 29-924 993-70/690
- 4 = 29-924 993-70/364
- 5 = 29-924 993-70/691
- 6 = 29-924 993-70/494
- 7 = 29-924 993-70/692
- 8 = 29-924 993-70/640
- 9 = 29-924 993-70/030
- 10 = 29-924 993-70/693
- 11 = 29-924 993-70/694

- 12 = 29-924 993-70/364
- 13 = 29-924 993-70/695
- 14 = 29-924 993-70/696
- 15 = 29-924 993-70/689
- 16 = 29-924 993-70/364
- 17 = 29-924 990-24/000
- 18 = 29-924 993-70/385
- 19 = 29-924 993-70/698
- 20 = 29-924 993-70/699
- 21 = 29-924 993-70/700
- 22 = 29-924 993-70/701

- 23 = 29-924 993-70/702
- 24 = 29-924 993-70/703
- 25 = 29-924 993-70/364
- 26 = 29-924 993-70/704
- 27 = 29-924 993-70/090
- 28 = 29-924 993-70/705
- 29 = 29-924 993-70/706
- 30 = 29-924 993-70/707
- 31 = 29-924 993-70/708
- 32 = 29-924 993-70/709
- 33 = 29-924 993-70/710
- 34 = 29-924 993-70/711
- 35 = 29-924 993-70/712
- 36 = 29-924 993-70/218
- 37 = 29-924 993-70/713
- 38 = 29-924 993-70/714
- 39 = 29-924 993-70/715
- 40 = 29-924 993-70/690
- 41 = 29-924 993-70/364
- 42 = 29-924 993-70/717
- 43 = 29-924 993-70/718
- 44 = 29-924 993-70/719
- 45 = 29-924 993-70/627
- 46 = 29-924 993-70/579
- 47 = 29-924 993-70/325
- 48 = 29-924 993-70/580
- 49 = 29-924 993-70/475
- 50 = 29-924 993-70/313
- 51 = 29-924 993-70/721
- 52 = 29-924 993-70/494
- 53 = 29-924 993-70/720
- 54 = 29-924 993-70/722
- 55 = 29-924 993-70/723
- 56 = 29-924 993-70/465
- 57 = 29-924 993-70/724
- 58 = 29-924 993-70/689
- 59 = 29-924 993-70/364
- 60 = 29-924 993-70/725
- 61 = 29-924 993-70/726
- 62 = 29-924 993-70/697