

PFAFF

hobbylock

4870

Bestandteile-Liste

List of spare parts

Liste des pièces détachées

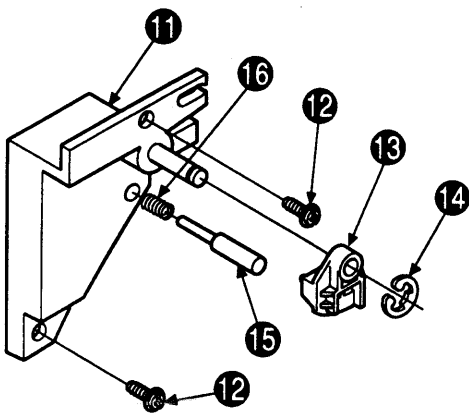
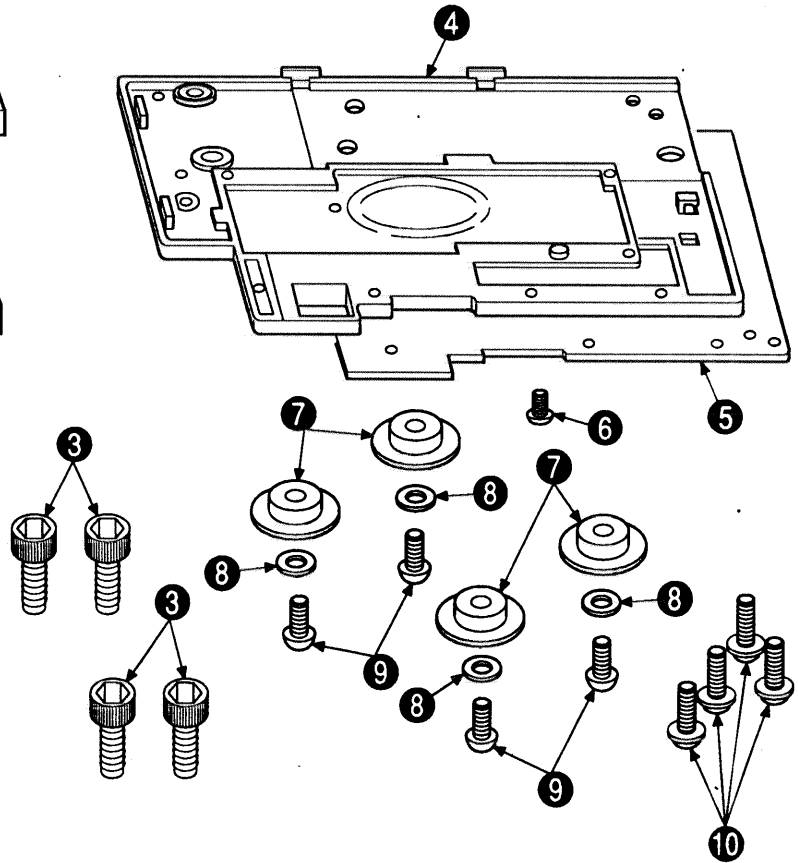
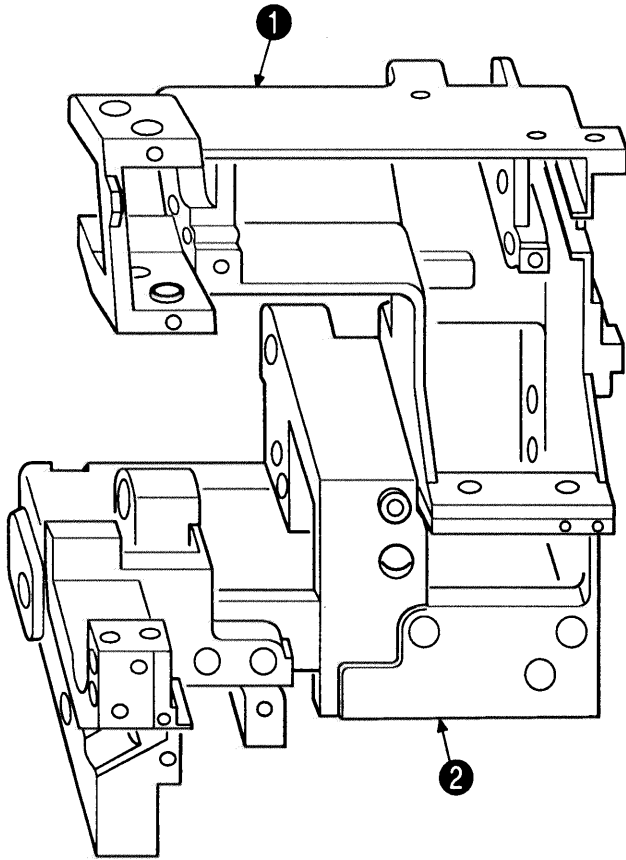
Catalogo pezzi staccati

Lista de piezas de repuesto

Gehäuse
Housing
Carcasse
Carcasa
Carter

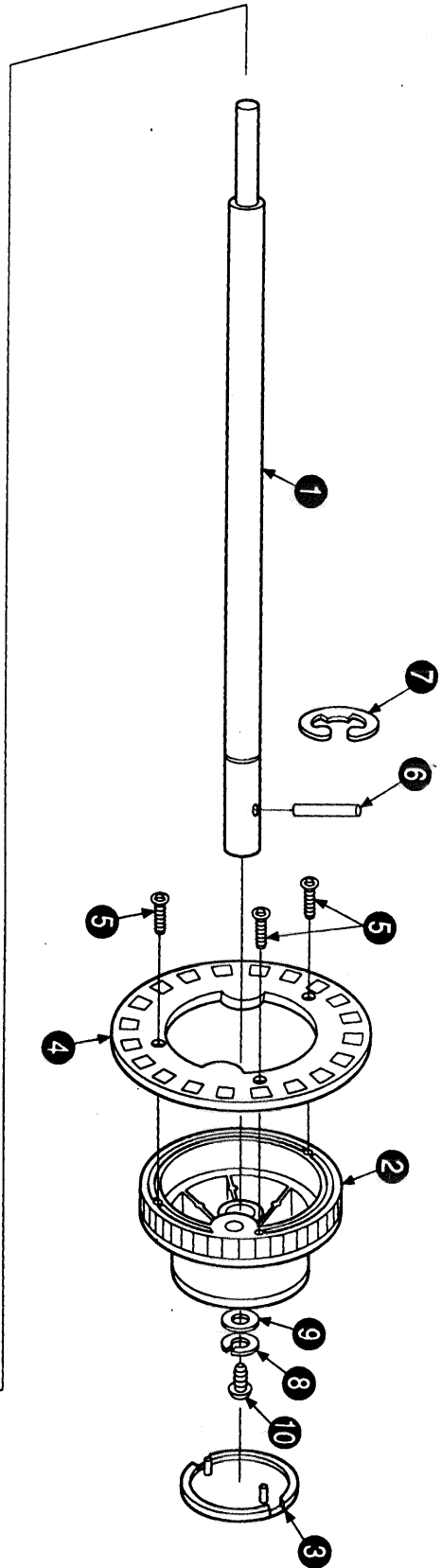
PFAFF hobbylock 4870

1



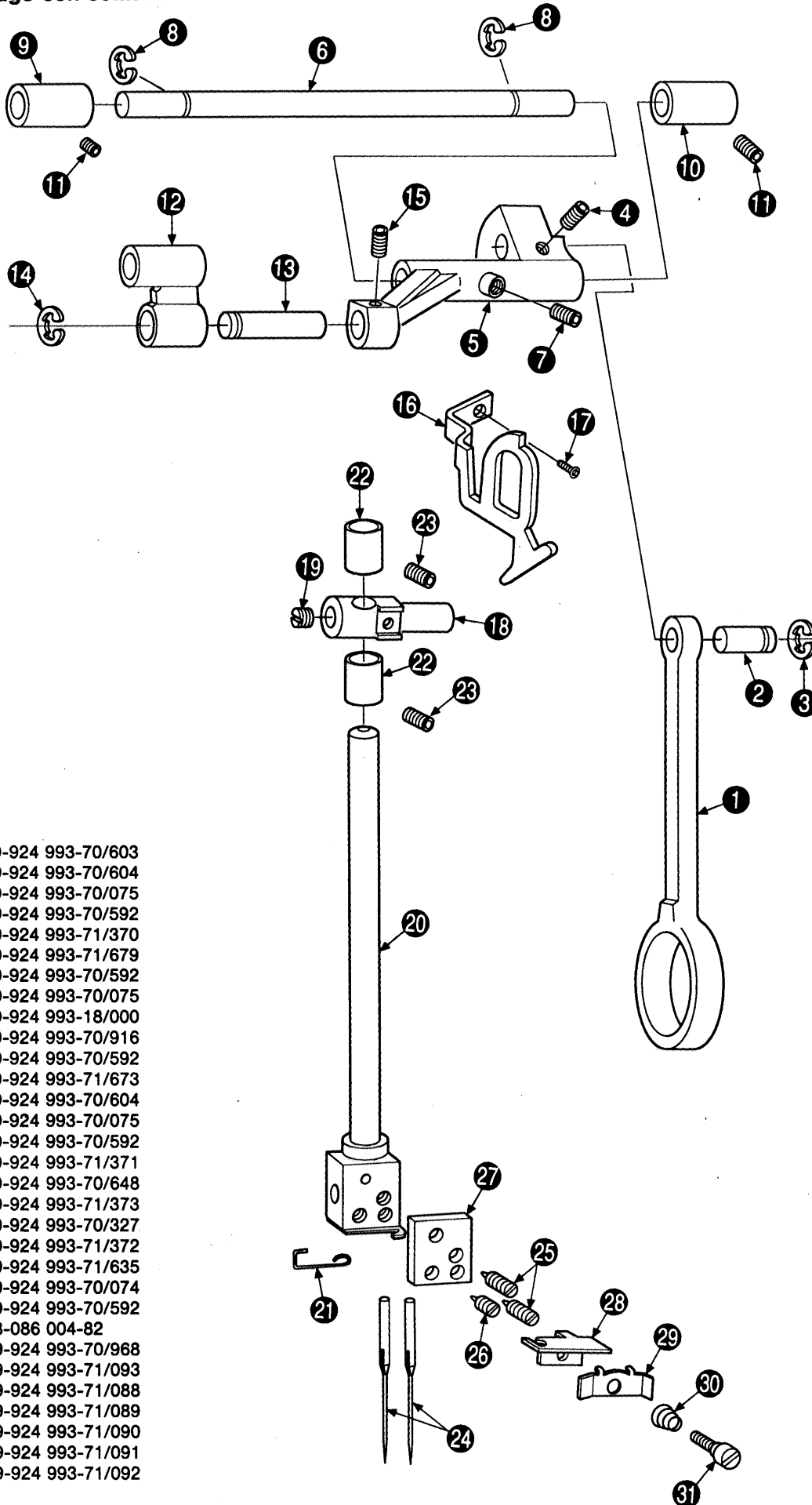
- 1 = 29-924 993-71/350
- 2 = 29-924 993-71/350
- 3 = 29-924 993-70/586
- 4 = 29-924 993-71/357
- 5 = 29-924 993-71/678
- 6 = 29-924 993-71/352
- 7 = 29-924 993-70/941
- 8 = 29-924 993-70/310
- 9 = 29-924 993-70/627
- 10 = 29-924 993-70/946
- 11 = 29-924 993-71/353
- 12 = 29-924 993-70/954
- 13 = 29-924 993-71/354
- 14 = 29-924 993-70/402
- 15 = 29-924 993-71/355
- 16 = 29-924 993-71/356

Armwelle
Arm shaft
Arbre de bras
Eje del brazo
Albero del braccio



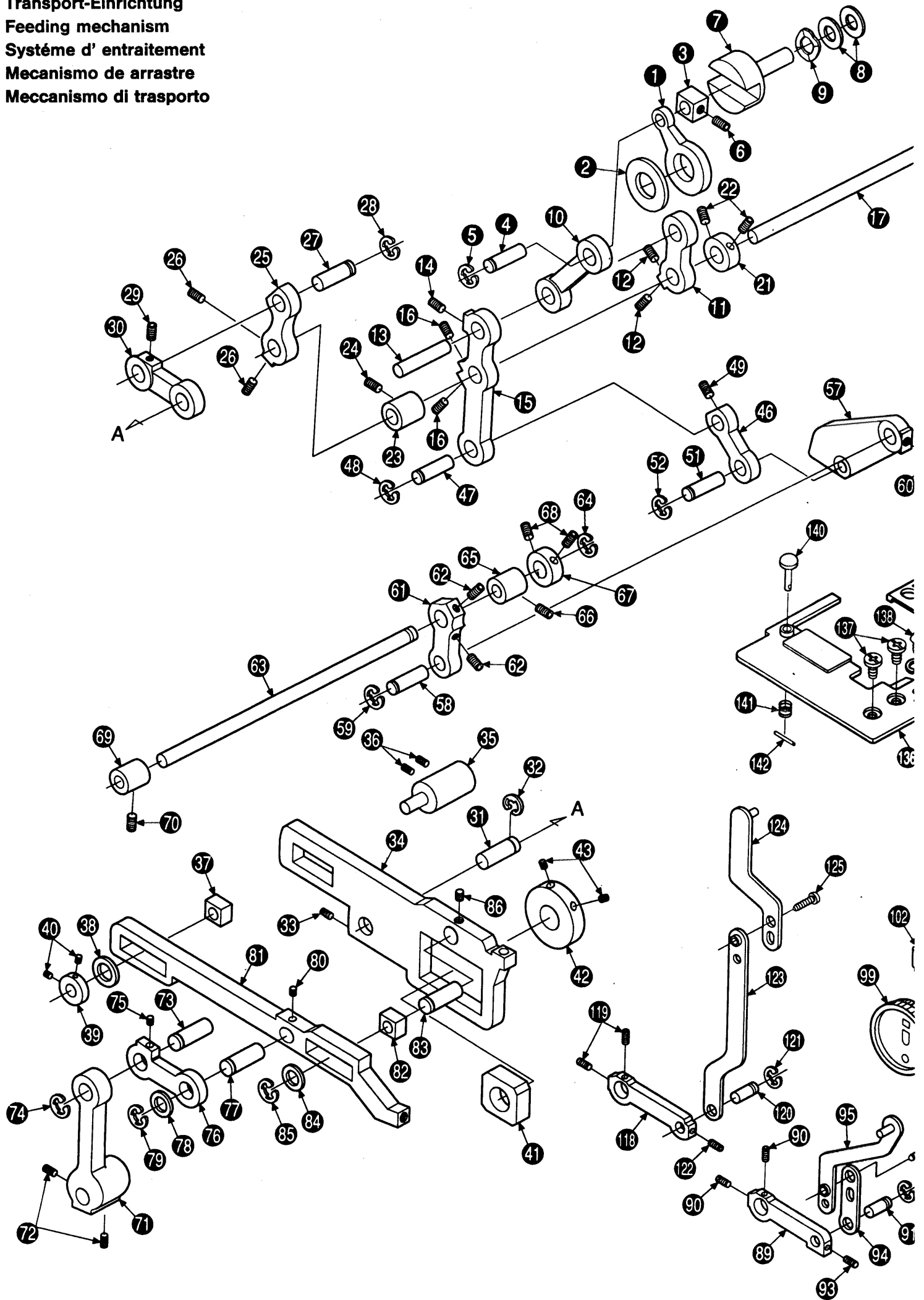
- | | | | | | |
|-----|-------------------|------|-------------------|------|-------------------|
| 1 = | 29-924 993-71/358 | 10 = | 29-924 993-70/321 | 19 = | 29-924 993-70/592 |
| 2 = | 29-924 993-71/359 | 11 = | 29-924 993-15/000 | 20 = | 29-924 993-71/366 |
| 3 = | 29-924 993-71/360 | 12 = | 29-924 993-16/000 | 21 = | 29-924 993-70/592 |
| 4 = | 29-924 993-71/361 | 13 = | 29-924 993-70/592 | 22 = | 29-924 993-71/367 |
| 5 = | 29-924 993-71/362 | 14 = | 29-924 993-71/363 | 23 = | 29-924 993-70/592 |
| 6 = | 29-924 993-70/043 | 15 = | 29-924 993-70/592 | 24 = | 29-924 993-71/368 |
| 7 = | 29-924 993-70/044 | 16 = | 29-924 993-71/364 | 25 = | 29-924 993-71/369 |
| 8 = | 29-924 993-70/601 | 17 = | 29-924 993-70/592 | 26 = | 29-924 993-70/592 |
| 9 = | 29-924 993-70/602 | 18 = | 29-924 993-71/365 | | |

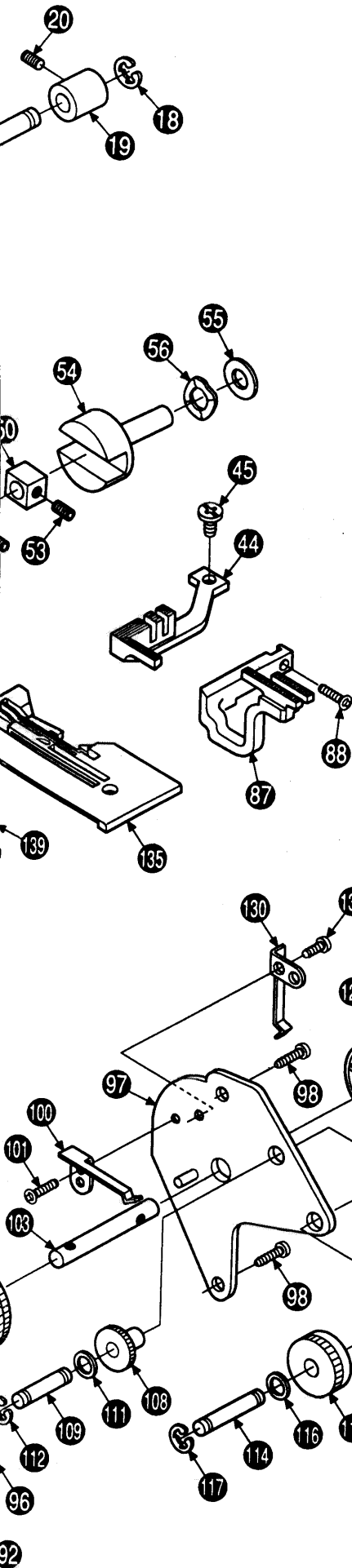
Nadelstange mit Antrieb
Needle bar with drive
Barre à aiguille avec commande
Barra de aguja con accionamiento
Barra d'ago con comando



- 1 = 29-924 993-70/603
- 2 = 29-924 993-70/604
- 3 = 29-924 993-70/075
- 4 = 29-924 993-70/592
- 5 = 29-924 993-71/370
- 6 = 29-924 993-71/679
- 7 = 29-924 993-70/592
- 8 = 29-924 993-70/075
- 9 = 29-924 993-18/000
- 10 = 29-924 993-70/916
- 11 = 29-924 993-70/592
- 12 = 29-924 993-71/673
- 13 = 29-924 993-70/604
- 14 = 29-924 993-70/075
- 15 = 29-924 993-70/592
- 16 = 29-924 993-71/371
- 17 = 29-924 993-70/648
- 18 = 29-924 993-71/373
- 19 = 29-924 993-70/327
- 20 = 29-924 993-71/372
- 21 = 29-924 993-71/635
- 22 = 29-924 993-70/074
- 23 = 29-924 993-70/592
- 24 = 48-086 004-82
- 25 = 29-924 993-70/968
- 26 = 29-924 993-71/093
- 27 = 29-924 993-71/088
- 28 = 29-924 993-71/089
- 29 = 29-924 993-71/090
- 30 = 29-924 993-71/091
- 31 = 29-924 993-71/092

Transport-Einrichtung
Feeding mechanism
Système d'entraînement
Mecanismo de arrastre
Meccanismo di trasporto

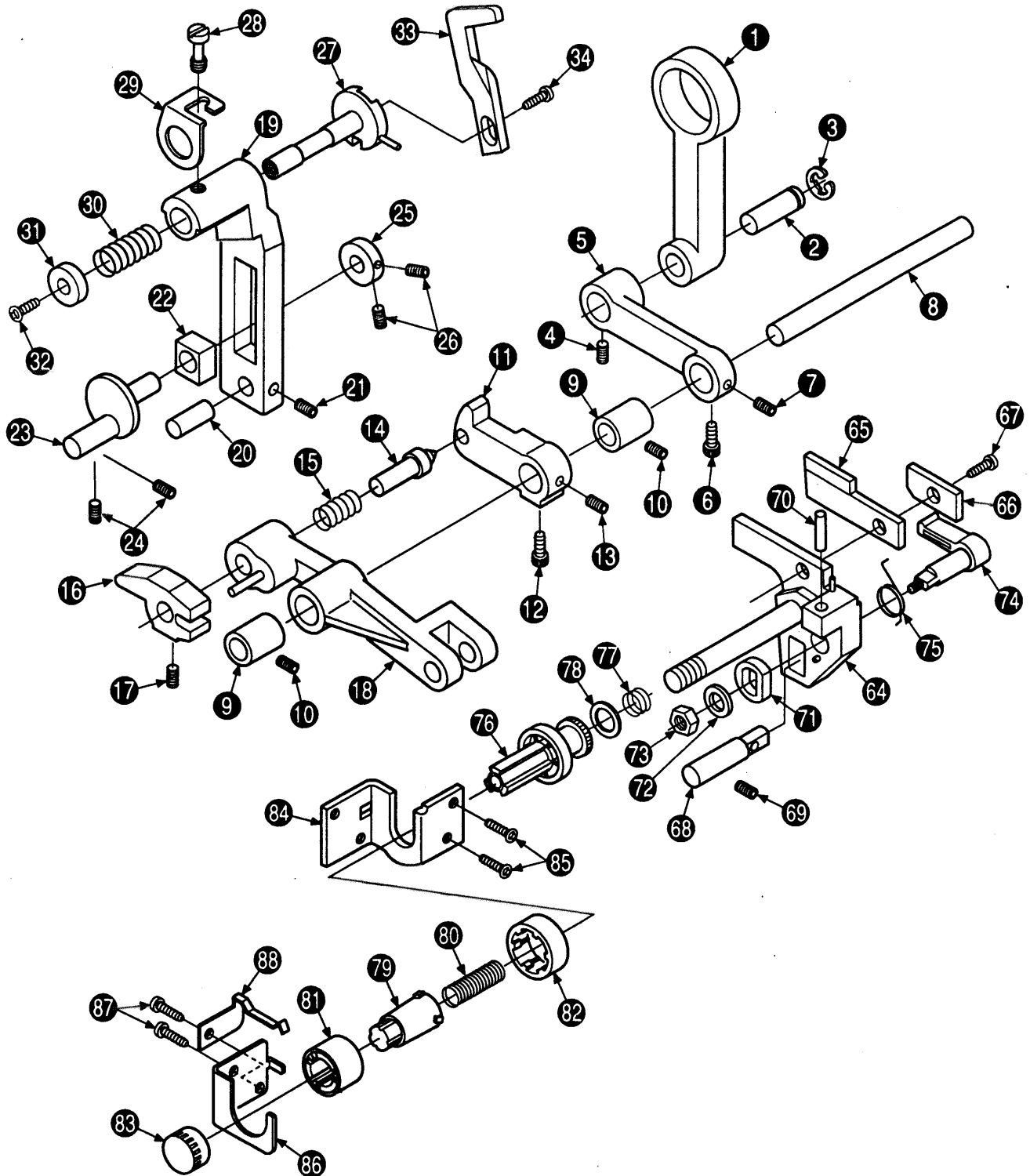


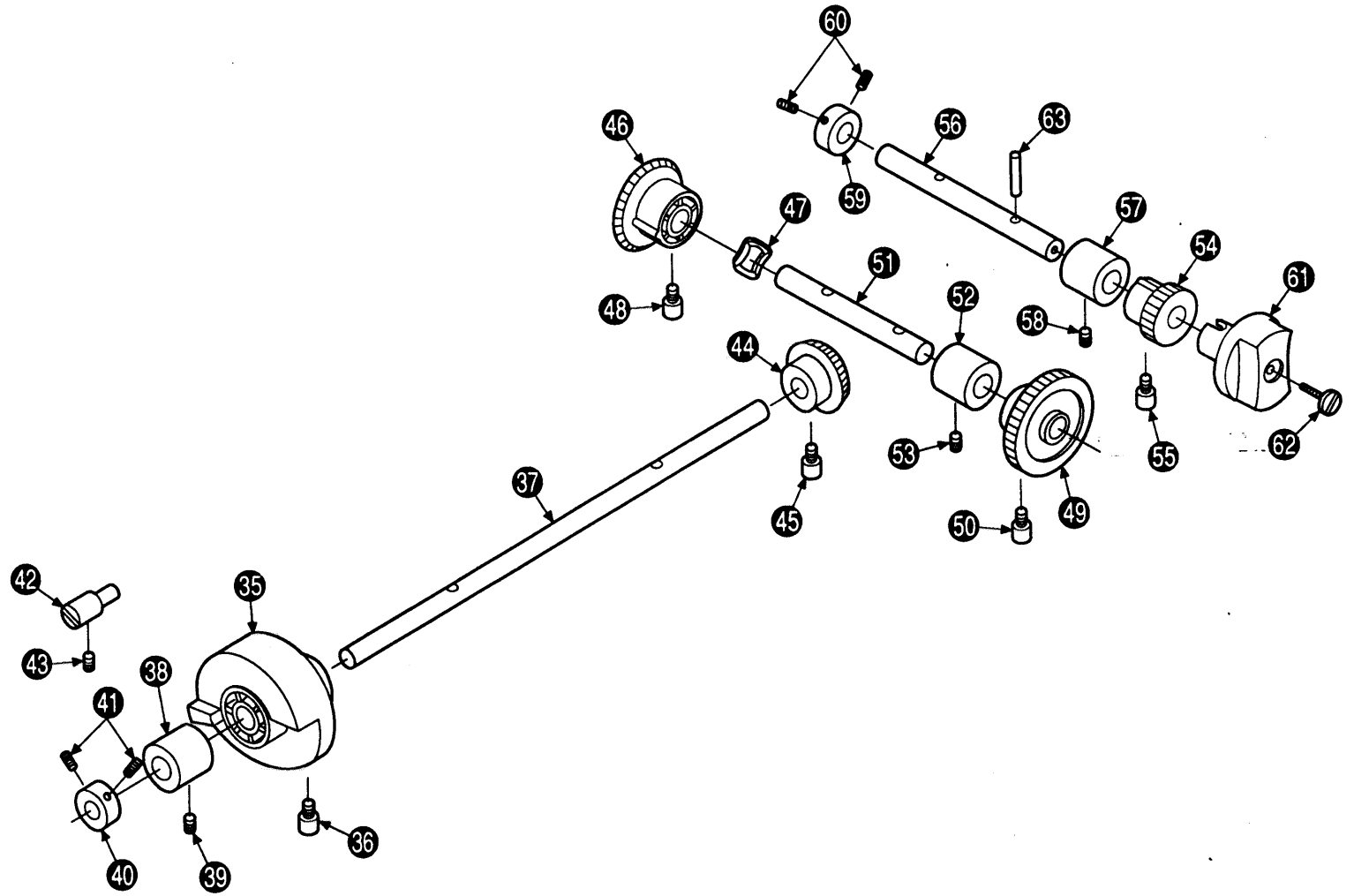


- | | | |
|------------------------|------------------------|-------------------------|
| 1 = 29-924 993-71/375 | 35 = 29-924 993-71/386 | 69 = 29-924 993-70/916 |
| 2 = 29-924 993-70/635 | 36 = 29-924 993-70/592 | 70 = 29-924 993-70/592 |
| 3 = 29-924 993-71/376 | 37 = 29-924 993-71/387 | 71 = 29-924 993-71/394 |
| 4 = 29-924 993-70/401 | 38 = 29-924 993-70/602 | 72 = 29-924 993-70/592 |
| 5 = 29-924 993-70/402 | 39 = 29-924 993-70/680 | 73 = 29-924 993-70/808 |
| 6 = 29-924 993-70/592 | 40 = 29-924 993-70/592 | 74 = 29-924 993-70/402 |
| 7 = 29-924 993-71/377 | 41 = 29-924 993-70/957 | 75 = 29-924 993-70/592 |
| 8 = 29-924 993-70/361 | 42 = 29-924 993-70/337 | 76 = 29-924 993-71/384 |
| 9 = 29-924 993-70/120 | 43 = 29-924 993-70/592 | 77 = 29-924 993-70/808 |
| 10 = 29-924 993-71/378 | 44 = 29-924 993-71/388 | 78 = 29-924 993-70/440 |
| 11 = 29-924 993-71/379 | 45 = 29-924 993-70/621 | 79 = 29-924 993-70/402 |
| 12 = 29-924 993-70/592 | 46 = 29-924 993-71/389 | 80 = 29-924 993-70/592 |
| 13 = 29-924 993-70/335 | 47 = 29-924 993-71/383 | 81 = 29-924 993-71/406 |
| 14 = 29-924 993-70/592 | 48 = 29-924 993-70/402 | 82 = 29-924 993-70/802 |
| 15 = 29-924 993-71/380 | 49 = 29-924 993-70/592 | 83 = 29-924 993-70/808 |
| 16 = 29-924 993-70/592 | 50 = 29-924 993-71/376 | 84 = 29-924 993-70/440 |
| 17 = 29-924 993-71/381 | 51 = 29-924 993-71/390 | 85 = 29-924 993-70/402 |
| 18 = 29-924 993-70/075 | 52 = 29-924 993-70/402 | 86 = 29-924 993-70/592 |
| 19 = 29-924 993-18/000 | 53 = 29-924 993-70/592 | 87 = 29-924 993-71/395 |
| 20 = 29-924 993-70/592 | 54 = 29-924 993-71/377 | 88 = 29-924 993-70/621 |
| 21 = 29-924 993-70/917 | 55 = 29-924 993-70/361 | 89 = 29-924 993-71/396 |
| 22 = 29-924 993-70/592 | 56 = 29-924 993-70/120 | 90 = 29-924 993-70/592 |
| 23 = 29-924 993-70/916 | 57 = 29-924 993-71/391 | 91 = 29-924 993-70/799 |
| 24 = 29-924 993-71/118 | 58 = 29-924 993-71/119 | 92 = 29-924 993-70/402 |
| 25 = 29-924 993-71/382 | 59 = 29-924 993-70/402 | 93 = 29-924 993-70/592 |
| 26 = 29-924 993-70/592 | 60 = 29-924 993-70/592 | 94 = 29-924 993-71/397 |
| 27 = 29-924 993-71/383 | 61 = 29-924 993-71/379 | 95 = 29-924 993-71/398 |
| 28 = 29-924 993-70/402 | 62 = 29-924 993-70/592 | 96 = 29-924 993-70/627 |
| 29 = 29-924 993-70/592 | 63 = 29-924 993-71/393 | 97 = 29-924 993-71/399 |
| 30 = 29-924 993-71/384 | 64 = 29-924 993-70/075 | 98 = 29-924 993-70/627 |
| 31 = 29-924 993-70/808 | 65 = 29-924 993-70/916 | 99 = 29-924 993-71/400 |
| 32 = 29-924 993-70/402 | 66 = 29-924 993-70/592 | 100 = 29-924 993-71/401 |
| 33 = 29-924 993-70/592 | 67 = 29-924 993-70/917 | 101 = 29-924 993-71/402 |
| 34 = 29-924 993-71/385 | 68 = 29-924 993-70/592 | 102 = 29-924 993-70/933 |
| | | 103 = 29-924 993-71/403 |
| | | 104 = 29-924 993-70/144 |
| | | 105 = 29-924 993-70/602 |
| | | 106 = 29-924 993-71/404 |
| | | 107 = 29-924 993-70/954 |
| | | 108 = 29-924 993-71/405 |
| | | 109 = 29-924 993-71/409 |
| | | 110 = 29-924 993-71/407 |
| | | 111 = 29-924 993-70/440 |
| | | 112 = 29-924 993-70/402 |
| | | 113 = 29-924 993-71/408 |
| | | 114 = 29-924 993-71/409 |
| | | 115 = 29-924 993-71/407 |
| | | 116 = 29-924 993-70/440 |
| | | 117 = 29-924 993-70/402 |
| | | 118 = 29-924 993-71/410 |
| | | 119 = 29-924 993-70/592 |
| | | 120 = 29-924 993-70/792 |
| | | 121 = 29-924 993-70/402 |
| | | 122 = 29-924 993-70/592 |
| | | 123 = 29-924 993-71/411 |
| | | 124 = 29-924 993-71/412 |
| | | 125 = 29-924 993-70/627 |
| | | 126 = 29-924 993-71/413 |
| | | 127 = 29-924 993-71/414 |
| | | 128 = 29-924 993-71/415 |
| | | 129 = 29-924 993-71/416 |
| | | 130 = 29-924 993-71/417 |
| | | 131 = 29-924 993-71/402 |
| | | 132 = 29-924 993-71/418 |
| | | 133 = 29-924 993-71/405 |
| | | 134 = 29-924 993-71/419 |
| | | 135 = 29-924 993-71/288 |
| | | 136 = 29-924 993-71/680 |
| | | 137 = 29-924 993-70/627 |
| | | 138 = 29-924 993-71/421 |
| | | 139 = 29-924 993-71/422 |
| | | 140 = 29-924 993-71/681 |
| | | 141 = 29-924 993-71/682 |
| | | 142 = 29-924 993-71/518 |

Ober- und Untermesser
Upper and lower knife
Couteau supérieur et inférieur
Cuchilla superior e inferior
Cottello superiore ed inferiore

PFAFF hobbylock 4870



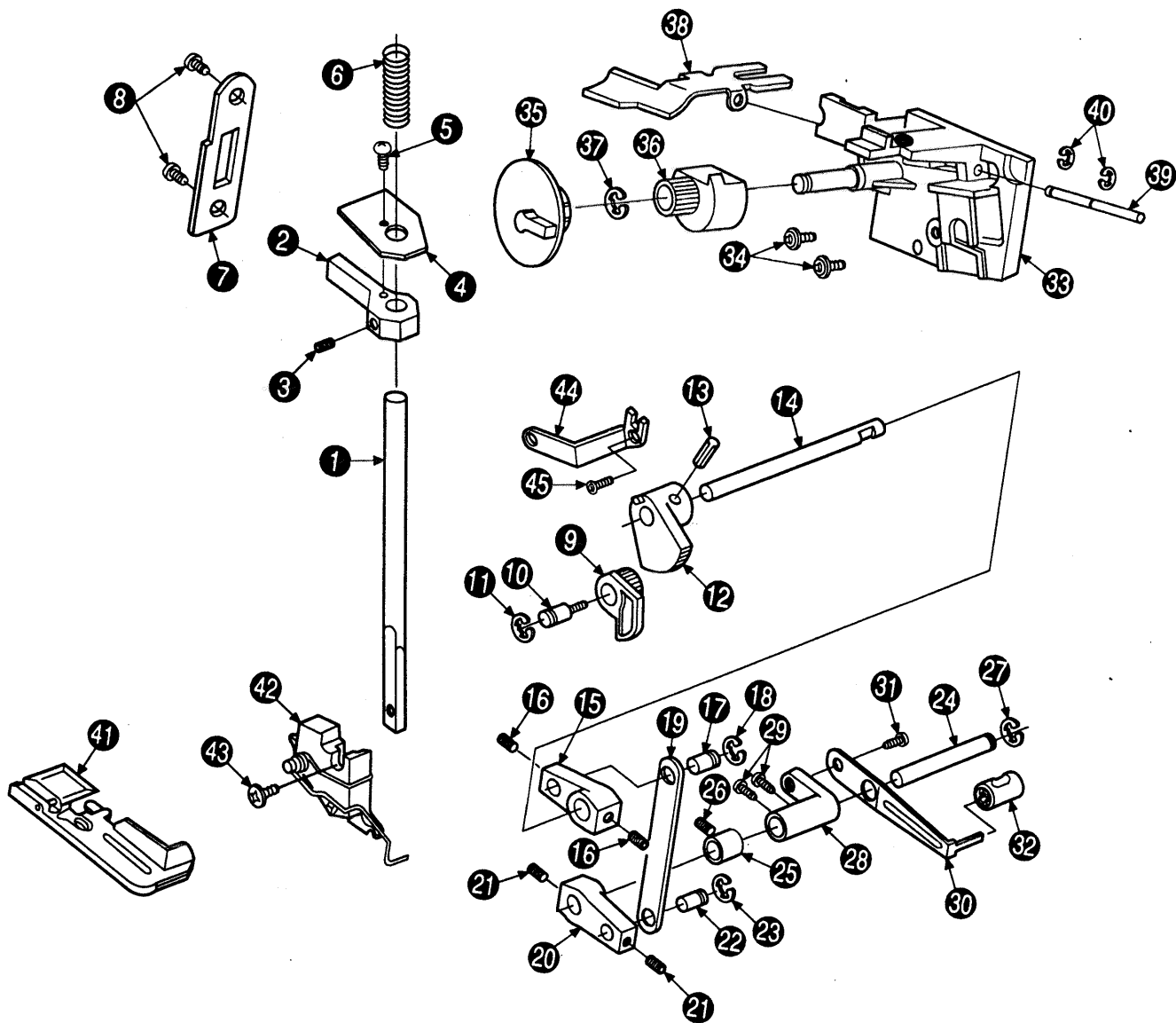


- 1 = 29-924 993-71/427
- 2 = 29-924 993-70/104
- 3 = 29-924 993-70/066
- 4 = 29-924 993-70/592
- 5 = 29-924 993-71/428
- 6 = 29-924 993-71/502
- 7 = 29-924 993-70/592
- 8 = 29-924 993-71/429
- 9 = 29-924 993-18/000
- 10 = 29-924 993-70/592
- 11 = 29-924 993-71/430
- 12 = 29-924 993-71/502
- 13 = 29-924 993-70/592
- 14 = 29-924 993-71/431
- 15 = 29-924 993-71/432
- 16 = 29-924 993-71/433
- 17 = 29-924 993-70/592
- 18 = 29-924 993-71/434
- 19 = 29-924 993-71/435
- 20 = 29-924 993-70/335
- 21 = 29-924 993-70/592
- 22 = 29-924 993-70/802
- 23 = 29-924 993-71/436
- 24 = 29-924 993-70/592
- 25 = 29-924 993-71/437
- 26 = 29-924 993-70/592
- 27 = 29-924 993-71/438
- 28 = 29-924 993-71/424
- 29 = 29-924 993-71/439
- 30 = 29-924 993-71/440

- 31 = 29-924 993-71/441
- 32 = 29-924 993-70/621
- 33 = 29-924 993-71/442
- 34 = 29-924 993-70/621
- 35 = 29-924 993-71/443
- 36 = 29-924 993-71/425
- 37 = 29-924 993-71/444
- 38 = 29-924 993-18/000
- 39 = 29-924 993-70/592
- 40 = 29-924 993-70/917
- 41 = 29-924 993-70/592
- 42 = 29-924 993-71/445
- 43 = 29-924 993-70/592
- 44 = 29-924 993-71/446
- 45 = 29-924 993-71/425
- 46 = 29-924 993-71/447
- 47 = 29-924 993-70/120
- 48 = 29-924 993-71/425
- 49 = 29-924 993-71/448
- 50 = 29-924 993-71/425
- 51 = 29-924 993-71/449
- 52 = 29-924 993-70/916
- 53 = 29-924 993-70/592
- 54 = 29-924 993-71/450
- 55 = 29-924 993-71/425
- 56 = 29-924 993-71/451
- 57 = 29-924 993-70/916
- 58 = 29-924 993-70/592
- 59 = 29-924 993-70/959
- 60 = 29-924 993-71/118

- 61 = 29-924 993-71/452
- 62 = 29-924 993-71/426
- 63 = 29-924 993-71/453
- 64 = 29-924 993-71/454
- 65 = 29-924 993-71/455
- 66 = 29-924 993-70/650
- 67 = 29-924 993-70/621
- 68 = 29-924 993-71/456
- 69 = 29-924 993-70/592
- 70 = 29-924 993-71/457
- 71 = 29-924 993-71/458
- 72 = 29-924 993-71/471
- 73 = 29-924 993-70/369
- 74 = 29-924 993-71/459
- 75 = 29-924 993-71/460
- 76 = 29-924 993-71/461
- 77 = 29-924 993-71/462
- 78 = 29-924 993-70/921
- 79 = 29-924 993-71/463
- 80 = 29-924 993-71/464
- 81 = 29-924 993-71/465
- 82 = 29-924 993-71/466
- 83 = 29-924 993-71/467
- 84 = 29-924 993-71/468
- 85 = 29-924 993-70/627
- 86 = 29-924 993-71/469
- 87 = 29-924 993-70/648
- 88 = 29-924 993-71/470

Stoffdrückerstange mit Nähfuß
 Presser bar with presser foot
 Barre pressetissu avec pied
 Barra del prensatelas con prensatelas
 Barra premistoffa con piedino



- 1 = 29-924 993-70/654
- 2 = 29-924 993-71/683
- 3 = 29-924 993-70/592
- 4 = 29-924 993-71/684
- 5 = 29-924 993-70/648
- 6 = 29-924 993-71/476
- 7 = 29-924 993-71/477
- 8 = 29-924 993-70/627
- 9 = 29-924 993-71/478
- 10 = 29-924 993-71/479
- 11 = 29-924 993-70/075
- 12 = 29-924 993-70/984
- 13 = 29-924 993-70/985
- 14 = 29-924 993-71/480
- 15 = 29-924 993-71/481

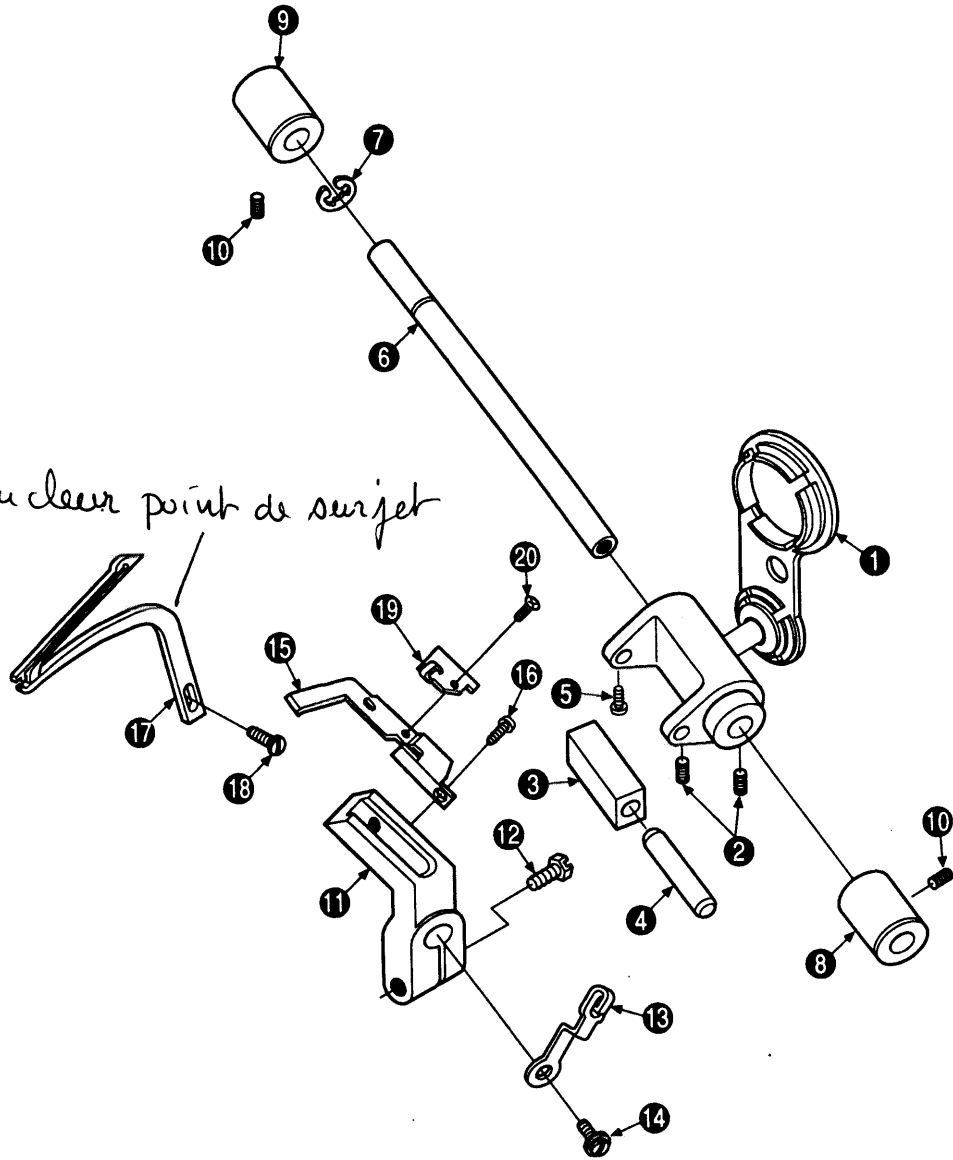
- 16 = 29-924 993-70/592
- 17 = 29-924 993-70/799
- 18 = 29-924 993-70/402
- 19 = 29-924 993-71/482
- 20 = 29-924 993-71/481
- 21 = 29-924 993-70/592
- 22 = 29-924 993-70/799
- 23 = 29-924 993-70/402
- 24 = 29-924 993-71/483
- 25 = 29-924 993-18/000
- 26 = 29-924 993-70/592
- 27 = 29-924 993-70/075
- 28 = 29-924 993-71/484
- 29 = 29-924 993-70/621
- 30 = 29-924 993-71/485

- 31 = 29-924 993-70/989
- 32 = 29-924 993-71/486
- 33 = 29-924 993-71/685
- 34 = 29-924 993-70/954
- 35 = 29-924 993-71/488
- 36 = 29-924 993-71/489
- 37 = 29-924 993-70/075
- 38 = 29-924 993-71/490
- 39 = 29-924 993-71/491
- 40 = 29-924 993-71/108
- 41 = 29-924 993-71/287
- 42 = 29-924 993-71/472
- 43 = 29-924 993-70/410
- 44 = 29-924 993-71/492
- 45 = 29-924 993-70/630

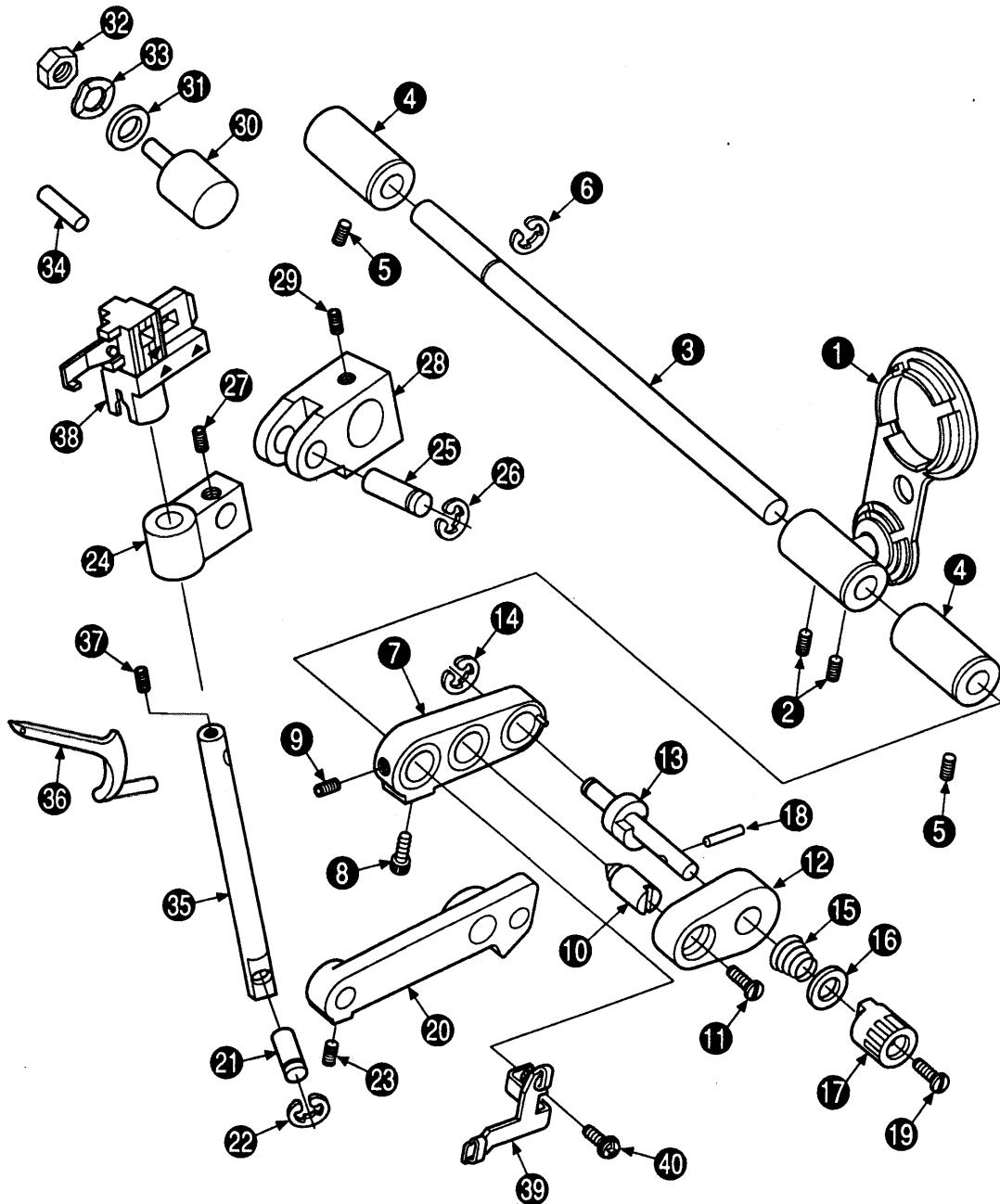
Linker Greifer
 Left lopper
 Boucleur gauche
 Garfio izquierdo
 Crochet sinistro

PFAFF hobbylock 4870

7



- 1 = 29-924 993-71/686
- 2 = 29-924 993-70/592
- 3 = 29-924 993-70/514
- 4 = 29-924 993-70/515
- 5 = 29-924 993-70/648
- 6 = 29-924 993-71/687
- 7 = 29-924 993-70/075
- 8 = 29-924 993-18/000
- 9 = 29-924 993-70/916
- 10 = 29-924 993-70/592
- 11 = 29-924 993-71/496
- 12 = 29-924 993-70/667
- 13 = 29-924 993-71/497
- 14 = 29-924 993-70/989
- 15 = 29-924 993-71/674
- 16 = 29-924 993-70/648
- 17 = 29-924 993-71/500
- 18 = 29-924 993-70/627
- 19 = 29-924 993-71/501
- 20 = 29-924 993-71/493

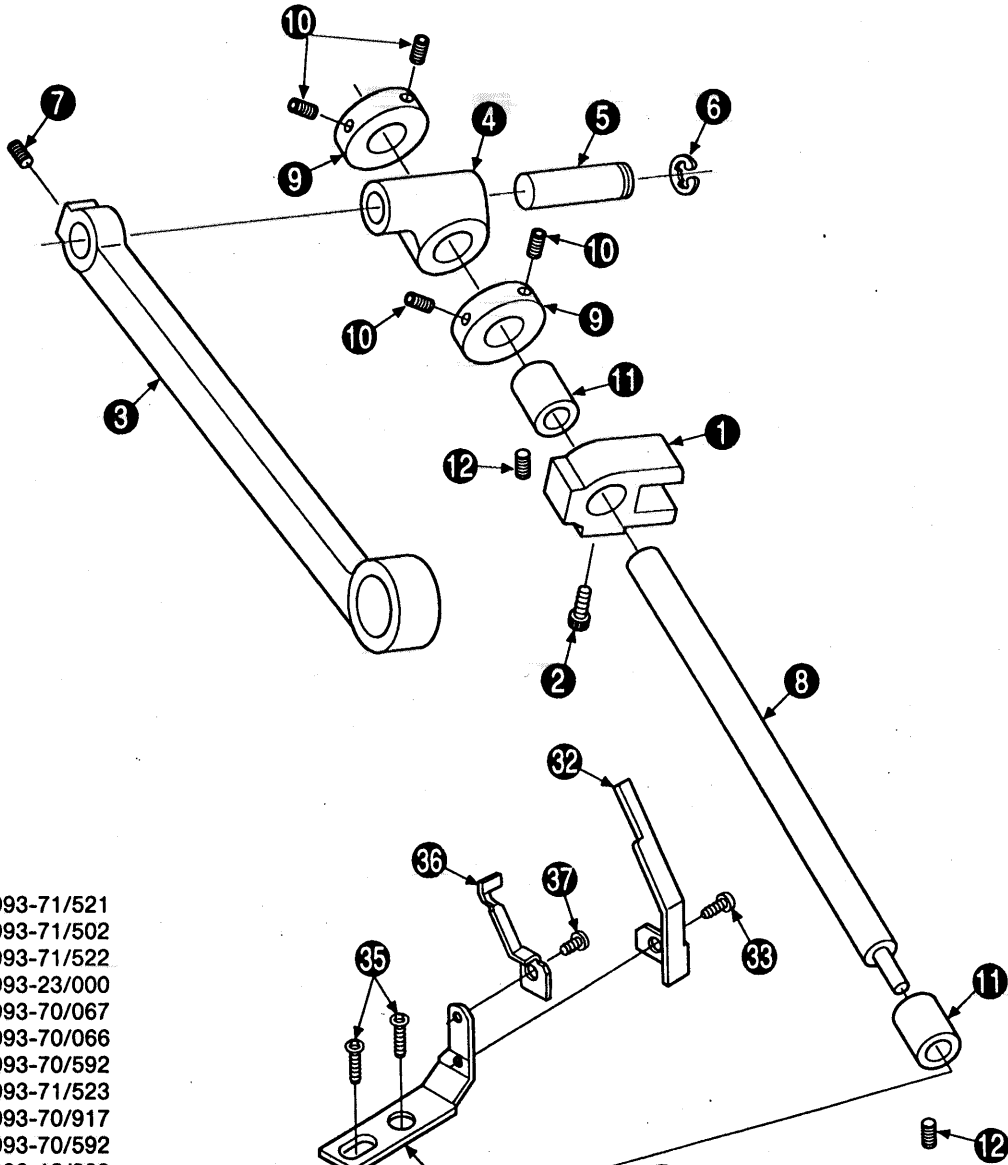


- 1 = 29-924 993-70/995
- 2 = 29-924 993-70/592
- 3 = 29-924 993-71/505
- 4 = 29-924 993-70/916
- 5 = 29-924 993-70/592
- 6 = 29-924 993-70/075
- 7 = 29-924 993-71/506
- 8 = 29-924 993-71/502
- 9 = 29-924 993-70/592
- 10 = 29-924 993-71/507
- 11 = 29-924 993-71/426
- 12 = 29-924 993-71/508
- 13 = 29-924 993-71/509
- 14 = 29-924 993-70/465

- 15 = 29-924 993-71/510
- 16 = 29-924 993-70/364
- 17 = 29-924 993-71/511
- 18 = 29-924 993-71/518
- 19 = 29-924 993-71/426
- 20 = 29-924 993-71/512
- 21 = 29-924 993-70/532
- 22 = 29-924 993-70/465
- 23 = 29-924 993-70/592
- 24 = 29-924 993-71/513
- 25 = 29-924 993-71/119
- 26 = 29-924 993-70/465
- 27 = 29-924 993-70/592
- 28 = 29-924 993-71/514

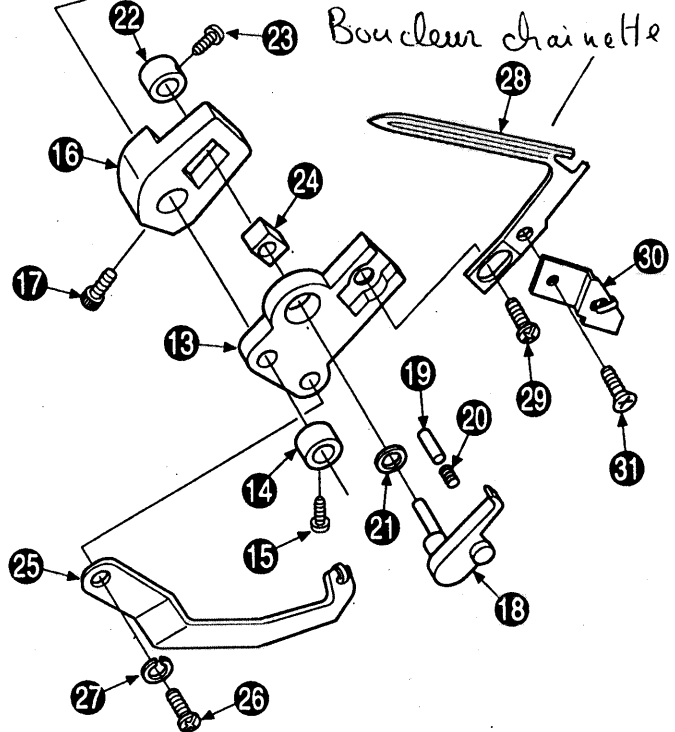
- 29 = 29-924 993-70/592
- 30 = 29-924 993-71/515
- 31 = 29-924 993-71/504
- 32 = 29-924 992-95/000
- 33 = 29-924 993-71/407
- 34 = 29-924 993-70/642
- 35 = 29-924 993-70/677
- 36 = 29-924 993-71/504
- 37 = 29-924 993-70/592
- 38 = 29-924 993-71/516
- 39 = 29-924 993-71/517
- 40 = 29-924 993-70/989

Doppelkettenstichgreifer
 Double chain looper drive mechanism
 Boucleur pour point de chaînette double
 Garfio para punto cadeneta
 Crochet per il punto a doppia catenella



- 1 = 29-924 993-71/521
- 2 = 29-924 993-71/502
- 3 = 29-924 993-71/522
- 4 = 29-924 993-23/000
- 5 = 29-924 993-70/067
- 6 = 29-924 993-70/066
- 7 = 29-924 993-70/592
- 8 = 29-924 993-71/523
- 9 = 29-924 993-70/917
- 10 = 29-924 993-70/592
- 11 = 29-924 993-18/000
- 12 = 29-924 993-70/592
- 13 = 29-924 993-71/524
- 14 = 29-924 993-71/529
- 15 = 29-924 993-70/648
- 16 = 29-924 993-71/525
- 17 = 29-924 993-71/502
- 18 = 29-924 993-71/688
- 19 = 29-924 993-71/527
- 20 = 29-924 993-71/528
- 21 = 29-924 993-70/361
- 22 = 29-924 993-71/529
- 23 = 29-924 993-70/648
- 24 = 29-924 993-71/530
- 25 = 29-924 993-71/531
- 26 = 29-924 993-70/627
- 27 = 29-924 993-70/023
- 28 = 29-924 993-71/520
- 29 = 29-924 993-70/627
- 30 = 29-924 993-71/588
- 31 = 29-924 993-71/493
- 32 = 29-924 993-71/533
- 33 = 29-924 993-71/519
- 34 = 29-924 993-71/658
- 35 = 29-924 993-70/627
- 36 = 29-924 993-71/675
- 37 = 29-924 993-71/519

532

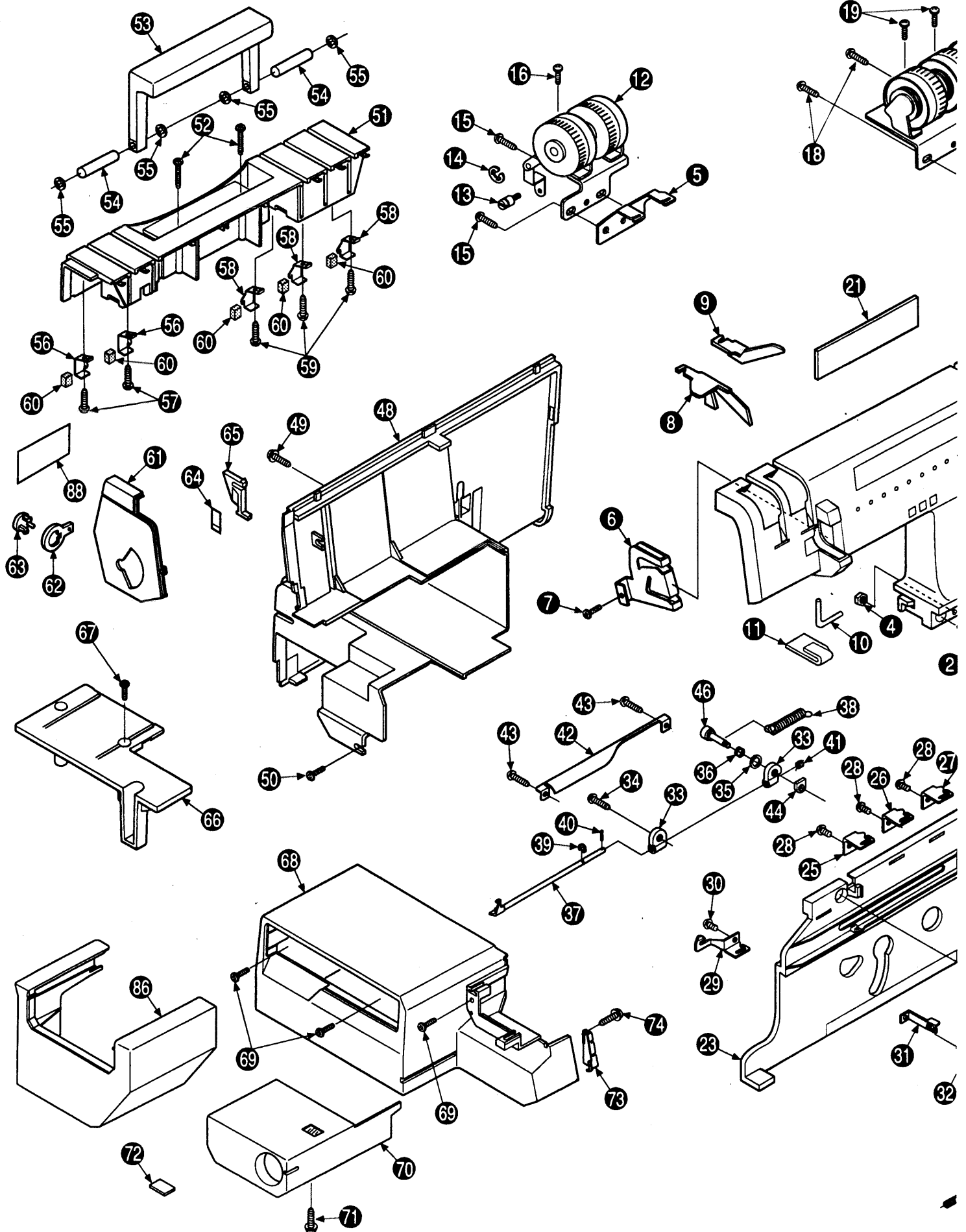


Boucleur chaînette

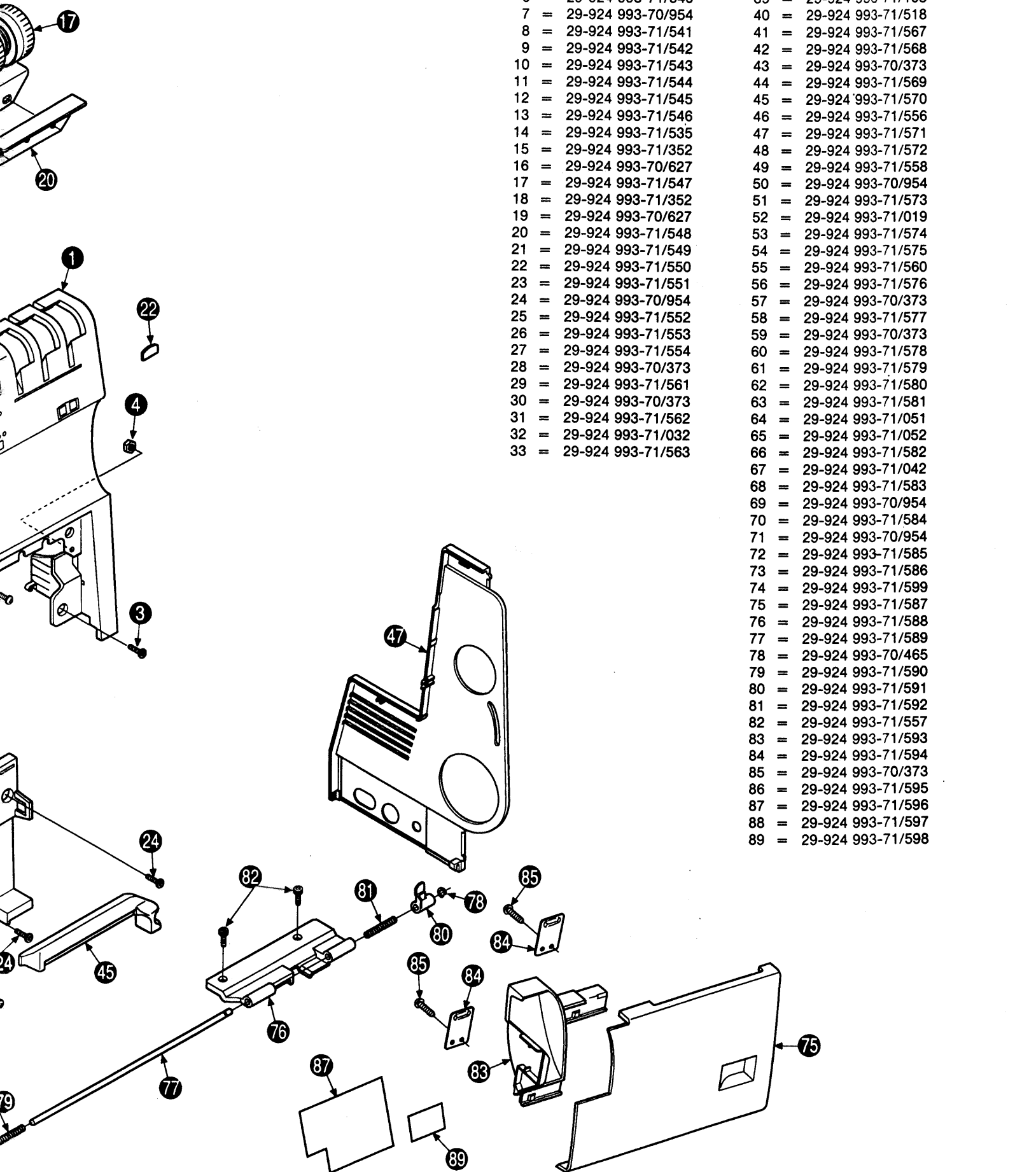
Gehäuse-Abdeckungen/Oberfadenspannung
Housing covers/top feed tension
Chaches/Tension supérieure
Tapas de la carcasa/Tensión del hilo superior
Coperci del carter/Tensione superiore

PFAFF hobbylock 4870

10



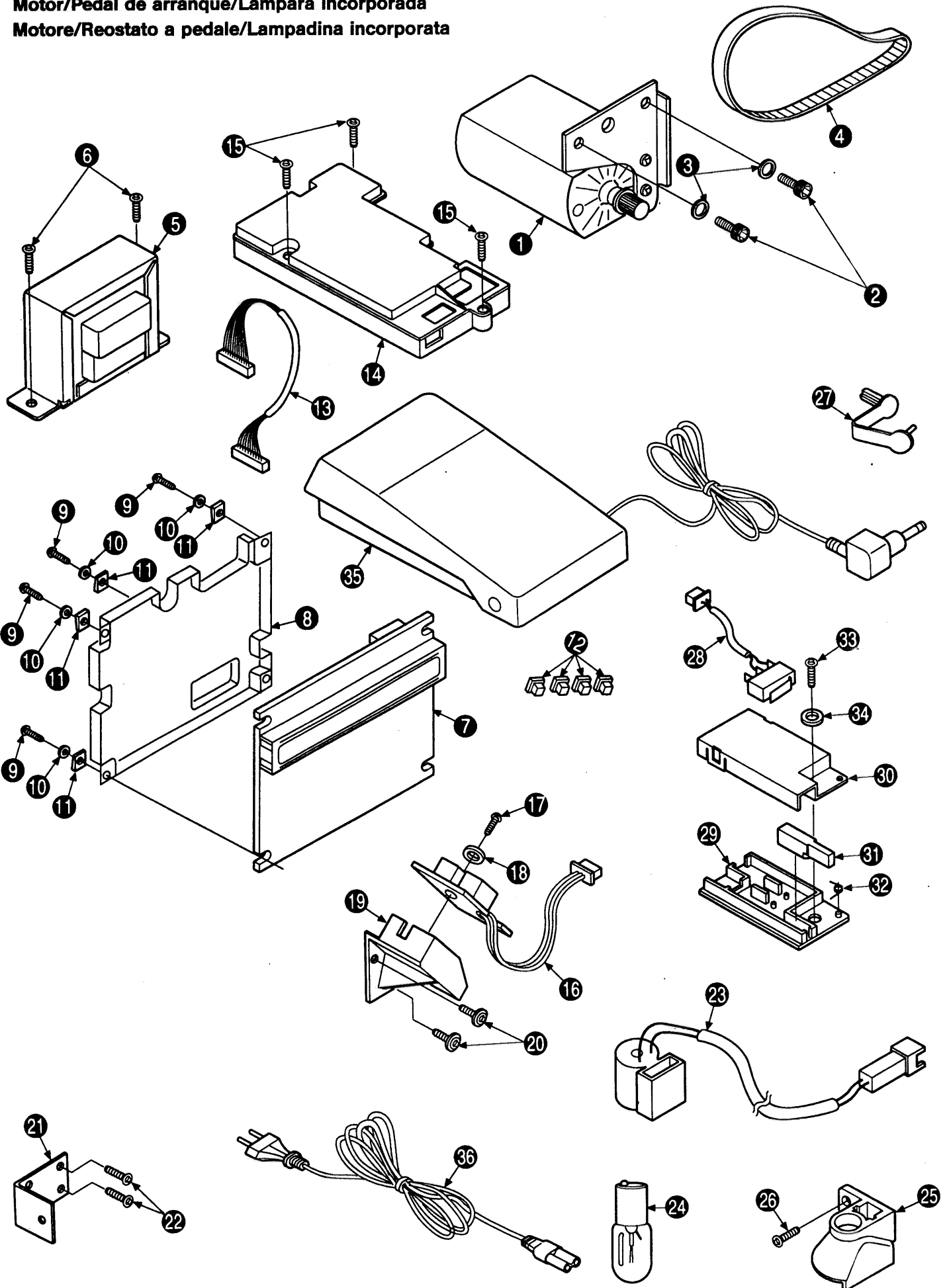
- | | |
|------------------------|------------------------|
| 1 = 29-924 993-71/536 | 34 = 29-924 993-70/630 |
| 2 = 29-924 993-71/019 | 35 = 29-924 993-70/893 |
| 3 = 29-924 993-70/954 | 36 = 29-924 993-71/564 |
| 4 = 29-924 990-24/000 | 37 = 29-924 993-71/565 |
| 5 = 29-924 993-71/539 | 38 = 29-924 993-71/566 |
| 6 = 29-924 993-71/540 | 39 = 29-924 993-71/108 |
| 7 = 29-924 993-70/954 | 40 = 29-924 993-71/518 |
| 8 = 29-924 993-71/541 | 41 = 29-924 993-71/567 |
| 9 = 29-924 993-71/542 | 42 = 29-924 993-71/568 |
| 10 = 29-924 993-71/543 | 43 = 29-924 993-70/373 |
| 11 = 29-924 993-71/544 | 44 = 29-924 993-71/569 |
| 12 = 29-924 993-71/545 | 45 = 29-924 993-71/570 |
| 13 = 29-924 993-71/546 | 46 = 29-924 993-71/556 |
| 14 = 29-924 993-71/535 | 47 = 29-924 993-71/571 |
| 15 = 29-924 993-71/352 | 48 = 29-924 993-71/572 |
| 16 = 29-924 993-70/627 | 49 = 29-924 993-71/558 |
| 17 = 29-924 993-71/547 | 50 = 29-924 993-70/954 |
| 18 = 29-924 993-71/352 | 51 = 29-924 993-71/573 |
| 19 = 29-924 993-70/627 | 52 = 29-924 993-71/019 |
| 20 = 29-924 993-71/548 | 53 = 29-924 993-71/574 |
| 21 = 29-924 993-71/549 | 54 = 29-924 993-71/575 |
| 22 = 29-924 993-71/550 | 55 = 29-924 993-71/560 |
| 23 = 29-924 993-71/551 | 56 = 29-924 993-71/576 |
| 24 = 29-924 993-70/954 | 57 = 29-924 993-70/373 |
| 25 = 29-924 993-71/552 | 58 = 29-924 993-71/577 |
| 26 = 29-924 993-71/553 | 59 = 29-924 993-70/373 |
| 27 = 29-924 993-71/554 | 60 = 29-924 993-71/578 |
| 28 = 29-924 993-70/373 | 61 = 29-924 993-71/579 |
| 29 = 29-924 993-71/561 | 62 = 29-924 993-71/580 |
| 30 = 29-924 993-70/373 | 63 = 29-924 993-71/581 |
| 31 = 29-924 993-71/562 | 64 = 29-924 993-71/051 |
| 32 = 29-924 993-71/032 | 65 = 29-924 993-71/052 |
| 33 = 29-924 993-71/563 | 66 = 29-924 993-71/582 |
| | 67 = 29-924 993-71/042 |
| | 68 = 29-924 993-71/583 |
| | 69 = 29-924 993-70/954 |
| | 70 = 29-924 993-71/584 |
| | 71 = 29-924 993-70/954 |
| | 72 = 29-924 993-71/585 |
| | 73 = 29-924 993-71/586 |
| | 74 = 29-924 993-71/599 |
| | 75 = 29-924 993-71/587 |
| | 76 = 29-924 993-71/588 |
| | 77 = 29-924 993-71/589 |
| | 78 = 29-924 993-70/465 |
| | 79 = 29-924 993-71/590 |
| | 80 = 29-924 993-71/591 |
| | 81 = 29-924 993-71/592 |
| | 82 = 29-924 993-71/557 |
| | 83 = 29-924 993-71/593 |
| | 84 = 29-924 993-71/594 |
| | 85 = 29-924 993-70/373 |
| | 86 = 29-924 993-71/595 |
| | 87 = 29-924 993-71/596 |
| | 88 = 29-924 993-71/597 |
| | 89 = 29-924 993-71/598 |



Motor/Anlasser/Einbauleuchte
Motor/foot control/built-in lamp
Moteur/Rhéostat à pédale/Lampe d'éclairage incorporée
Motor/Pedal de arranque/Lámpara incorporada
Motore/Reostato a pedale/Lampadina incorporata

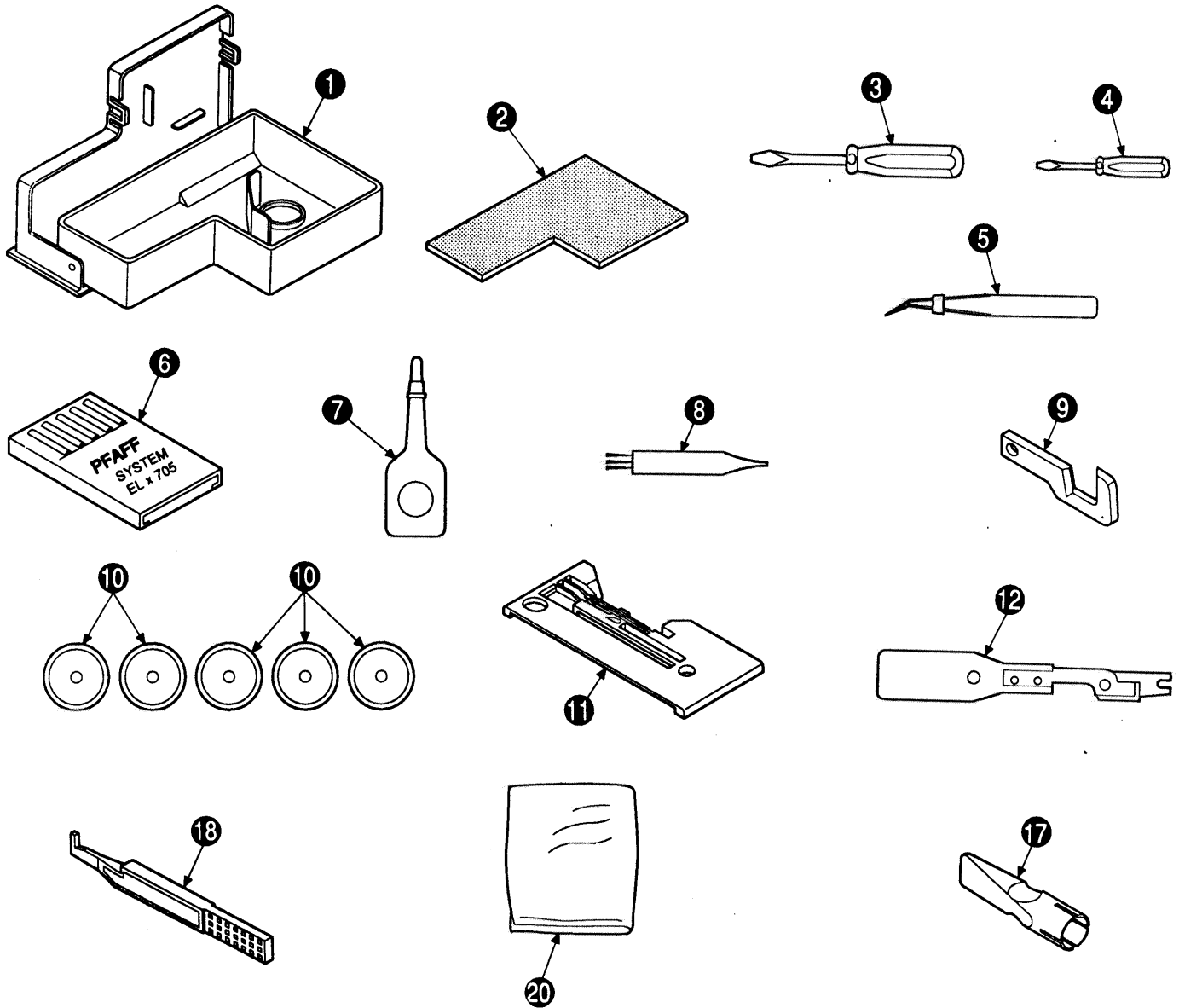
PFAFF hobbylock 4870

11

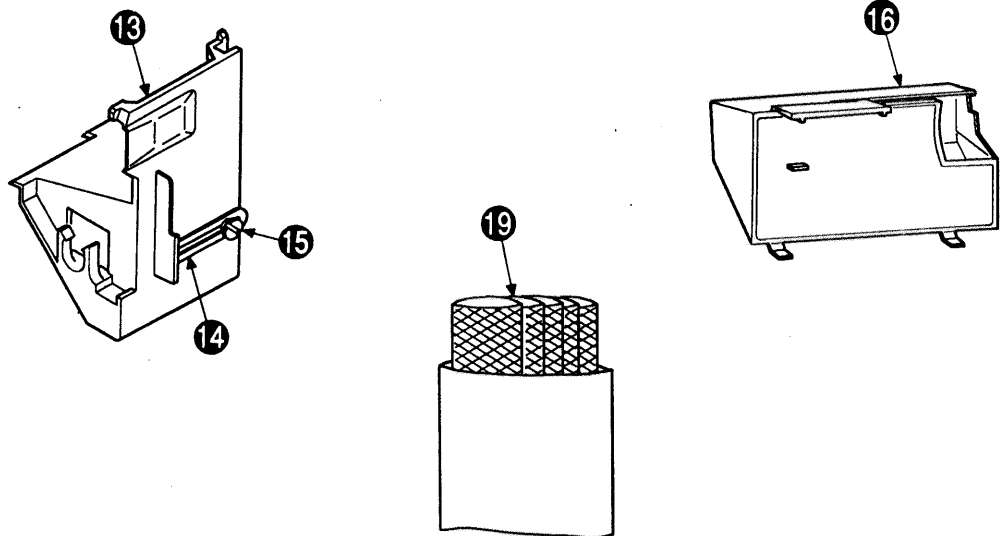


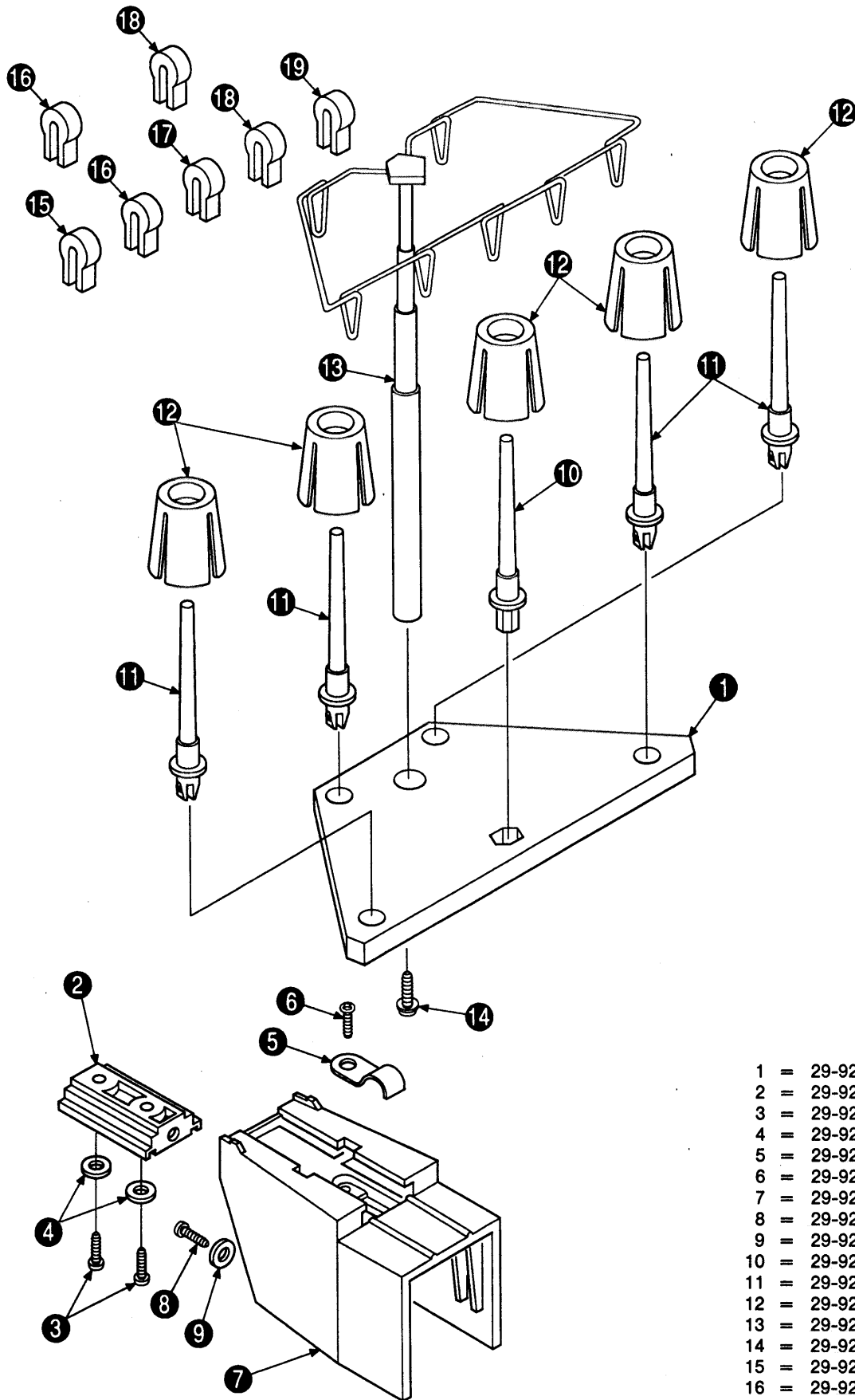
- 1 = 29-924 993-71/613 Motor 230 V YM311D
1a = 29-924 993-71/653 Motor 120 V
2 = 29-924 993-71/139
3 = 29-924 993-70/025
4 = 29-924 993-71/604
5 = 29-924 993-71/616 230 V
5a = 29-924 993-71/652 120 V
6 = 29-924 993-71/352
7 = 29-924 993-71/636 230 V
7a = 29-924 993-71/637 120 V
8 = 29-924 993-71/670
9 = 29-924 993-71/149
10 = 29-924 993-70/367
11 = 29-924 993-71/607
12 = 29-924 993-71/608
13 = 29-924 993-71/609
14 = 29-924 993-71/622 230 V
14a = 29-924 993-71/654 120 V
15 = 29-924 993-71/558
16 = 29-924 993-71/611
17 = 29-924 993-71/008
18 = 29-924 993-70/367
19 = 29-924 993-71/612
20 = 29-924 993-71/599
21 = 29-924 993-71/600
22 = 29-924 993-70/627
23 = 29-924 993-71/625 230 V
24 = 29-924 993-71/626
25 = 29-924 993-71/671
26 = 29-924 993-71/352
27 = 29-924 993-70/255
28 = 29-924 993-71/629
29 = 29-924 993-71/145
30 = 29-924 993-71/146
31 = 29-924 993-71/147
32 = 29-924 993-71/148
33 = 29-924 993-71/149
34 = 29-924 993-70/367
35 = 29-924 993-71/632 VDE
36 = 29-924 993-71/638 230 V
37 = 29-924 993-71/651 120 V

29 924 993 71345



- 1 = 29-924 993-71/639
 - 2 = 29-924 993-71/640
 - 3 = 29-924 993-70/247
 - 4 = 29-924 993-70/547
 - 5 = 29-924 993-71/012
 - 6 = 48-086 004-82
 - 7 = 93-035 910-91
 - 8 = 29-924 993-70/249
 - 9 = 29-924 993-71/442
 - 10 = 29-924 993-70/081
 - 11 = 29-924 993-71/289
 - 12 = 29-924 993-71/017
 - 13 = 29-924 993-71/641
 - 14 = 29-924 993-71/642
 - 15 = 29-924 993-71/166
 - 16 = 29-924 993-71/643
 - 17 = 29-924 993-71/644
 - 18 = 29-924 993-71/689
 - 19 = 29-924 993-70/445
 - 20 = 29-924 993-71/348
 - o. Bild = 29-924 993-71/345
- Zubehör cpl. ohne Pos. 13-16





- 1 = 29-924 993-71/003
- 2 = 29-924 993-71/004
- 3 = 29-924 993-71/005
- 4 = 29-924 993-70/367
- 5 = 29-924 993-71/007
- 6 = 29-924 993-71/008
- 7 = 29-924 993-71/009
- 8 = 29-924 993-71/352
- 9 = 29-924 993-70/031
- 10 = 29-924 993-71/161
- 11 = 29-924 993-70/543
- 12 = 29-924 993-70/544
- 13 = 29-924 993-71/645
- 14 = 29-924 993-70/954
- 15 = 29-924 993-71/646
- 16 = 29-924 993-71/647
- 17 = 29-924 993-71/648
- 18 = 29-924 993-71/649
- 19 = 29-924 993-71/650