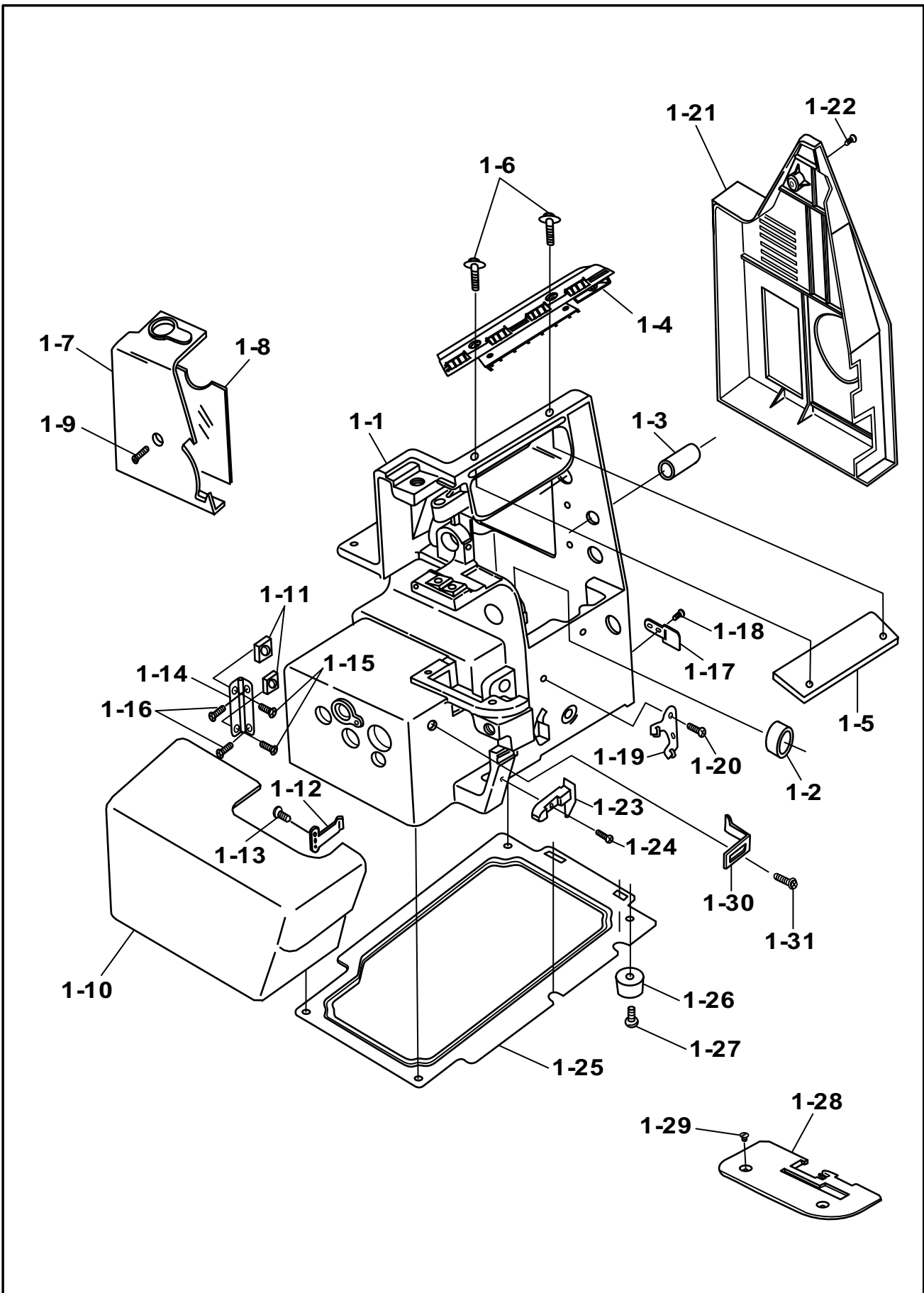


PFAFF

**hobbylock
4764**

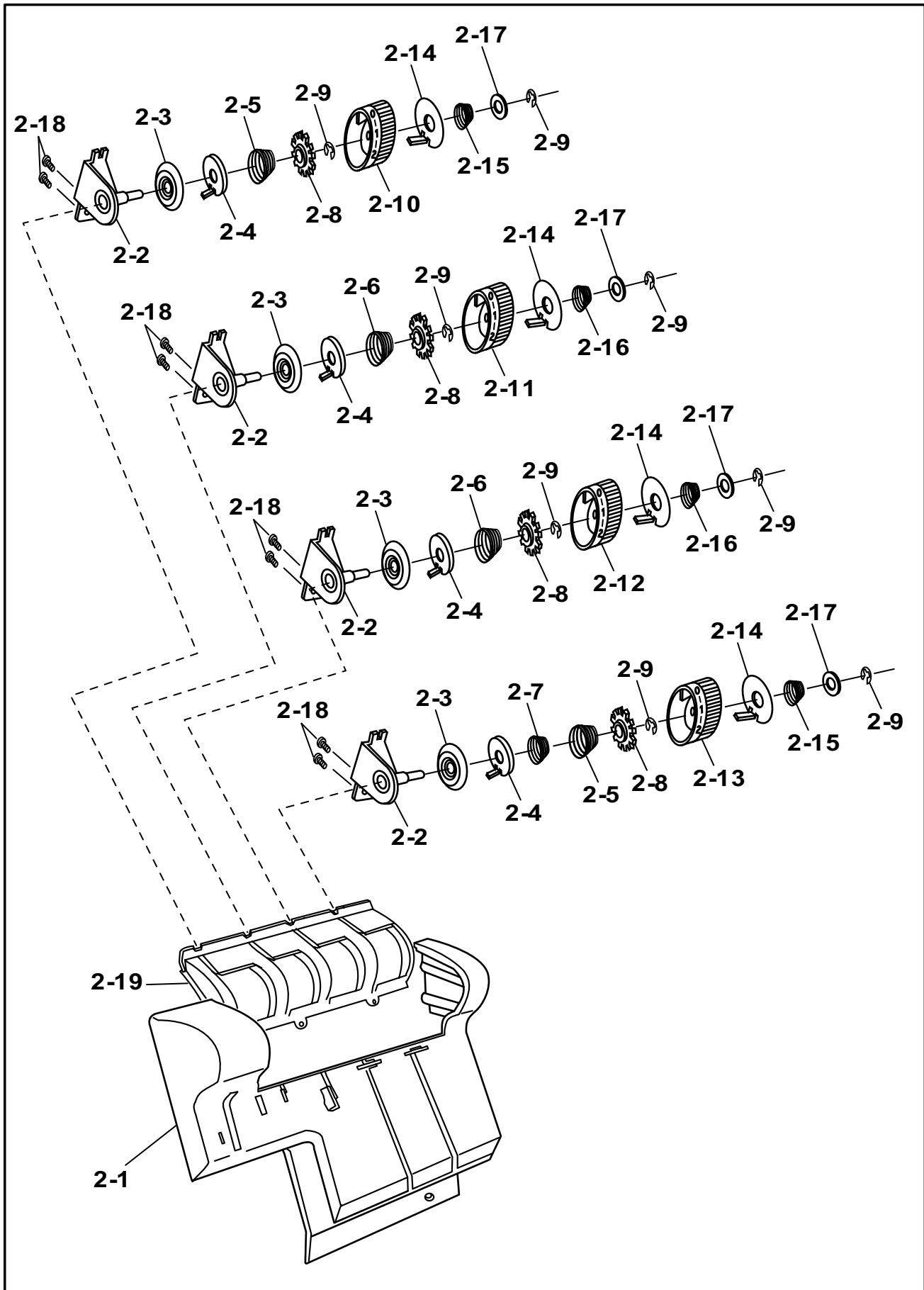
**Ersatzteile-Liste
List of spare parts
Liste des pièces détachées
Catalogo pezzi staccati
Lista de piezas de repuesto**

1. Machine body components



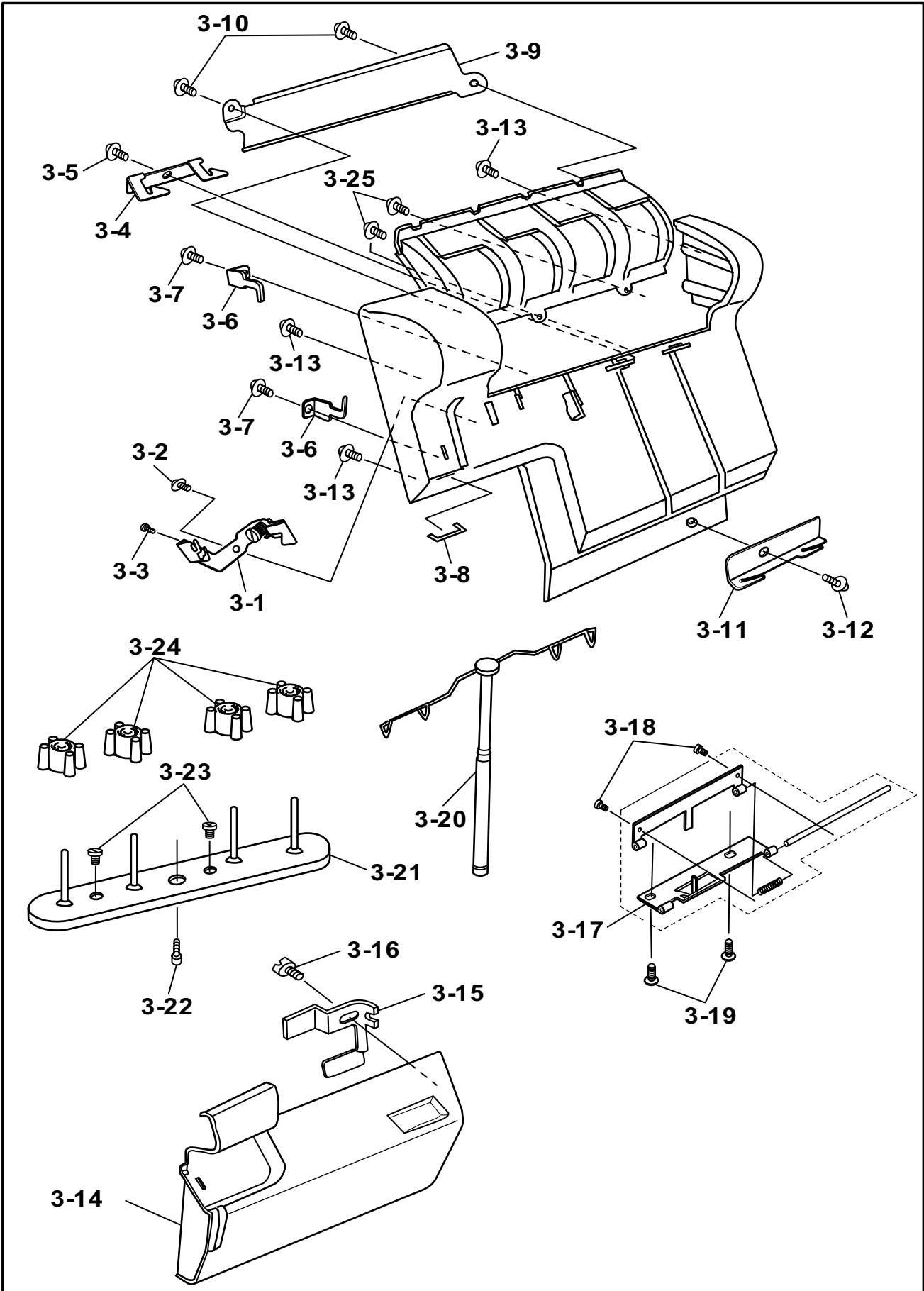
Pos	Part Number	Description
1-1	-	-
1-2	-	-
1-3	-	-
1-4	416 01 01-01	Handle
1-5	416 01 02-01	Front panel plate
1-6	416 00 24-01	Adjustable screw
1-7	416 00 67-01	Face cover
1-8	416 00 68-01	Face cover seat
1-9	416 00 11-01	Set screw
1-10	416 10 73-01	Bed cover
1-11	416 01 57-01	Nut
1-12	416 00 87-01	Stopper spring
1-13	416 00 59-01	Set screw
1-14	416 00 69-01	Hinge ass'y
1-15	416 00 54-01	Set screw
1-16	416 00 55-01	Set screw
1-17	416 00 64-01	Cover hook-A
1-18	415 51 07-01	Set screw
1-19	416 10 74-01	Thread guide-E
1-20	416 00 09-01	Set screw
1-21	416 10 76-01	Motor cover
1-22	416 00 11-01	Set screw
1-23	416 00 65-01	Bed stopper
1-24	416 00 11-01	Set screw
1-25	416 00 62-01	Base
1-26	416 00 61-01	Cushion rubber
1-27	416 00 21-01	Set screw
1-28	416 01 32-01	Needle plate ass'y
1-29	416 00 05-01	Set screw
1-30	415 50 18-01	Control for feed bar
1-31	415 50 14-01	Screw

2. Tension dial



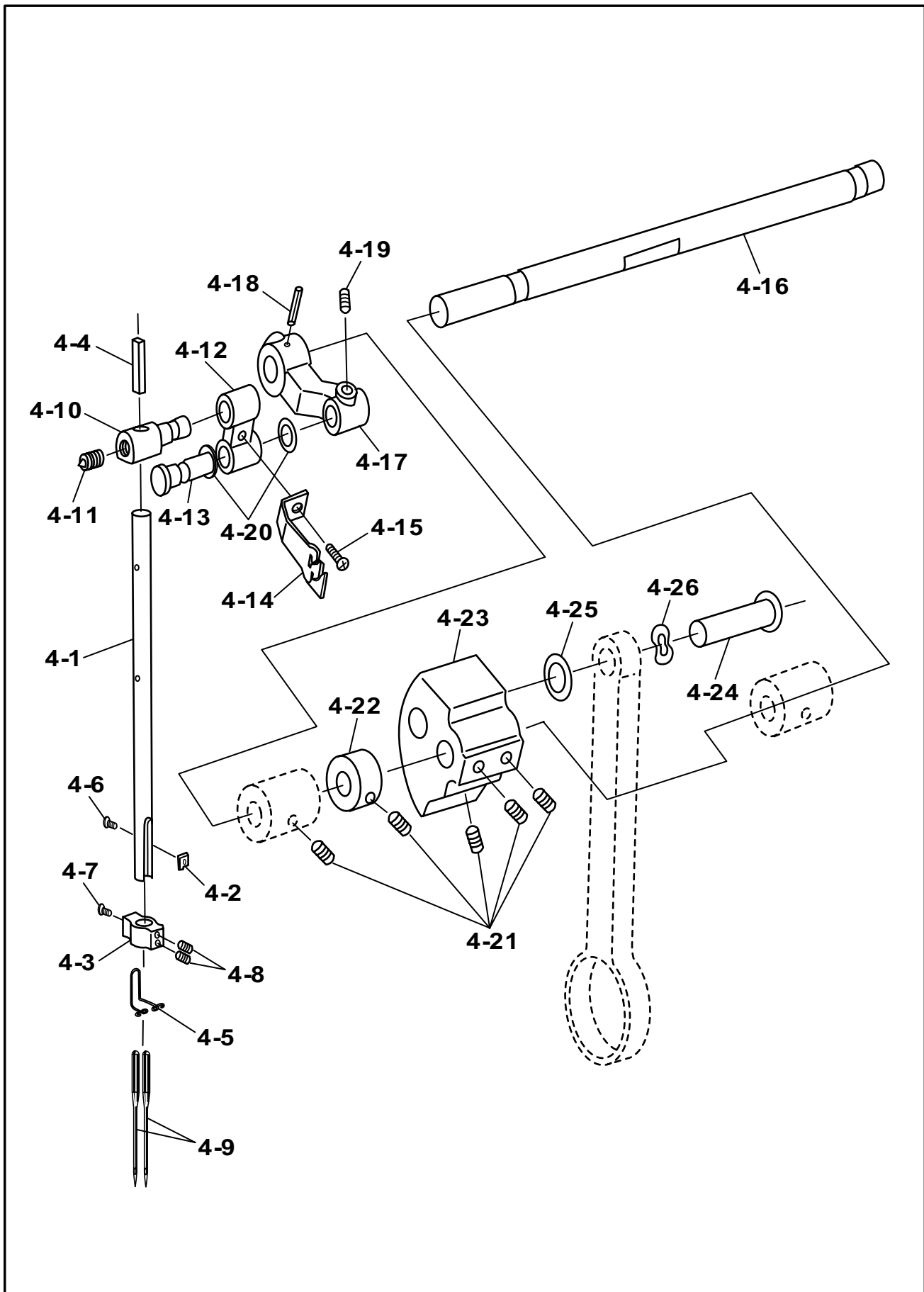
Pos	Part Number	Description
2-1	416 10 77-01	Front panel
2-2	416 01 33-01	Tension bracet
2-3	416 01 41-01	Tension disc
2-4	415 50 69-01	Tension disk bracket
2-5	415 50 70-01	Tension spring -A-
2-6	416 01 13-01	Tension spring -B-
2-7	415 50 71-01	Tension spring -C-
2-8	415 50 72-01	Tension nut
2-9	416 00 32-01	E-Ring
2-10	416 10 78-01	Tension dial
2-11	416 10 79-01	Tension dial
2-12	416 10 80-01	Tension dial
2-13	416 10 81-01	Tension dial
2-14	415 50 98-01	Tension disk regulator plate
2-15	416 01 50-01	Tension plate
2-16	415 50 79-01	Tension plate
2-17	416 00 43-01	Washer
2-18	416 00 17-01	Set screw
2-19	416 10 82-01	Tension dial cover

3. Front panel



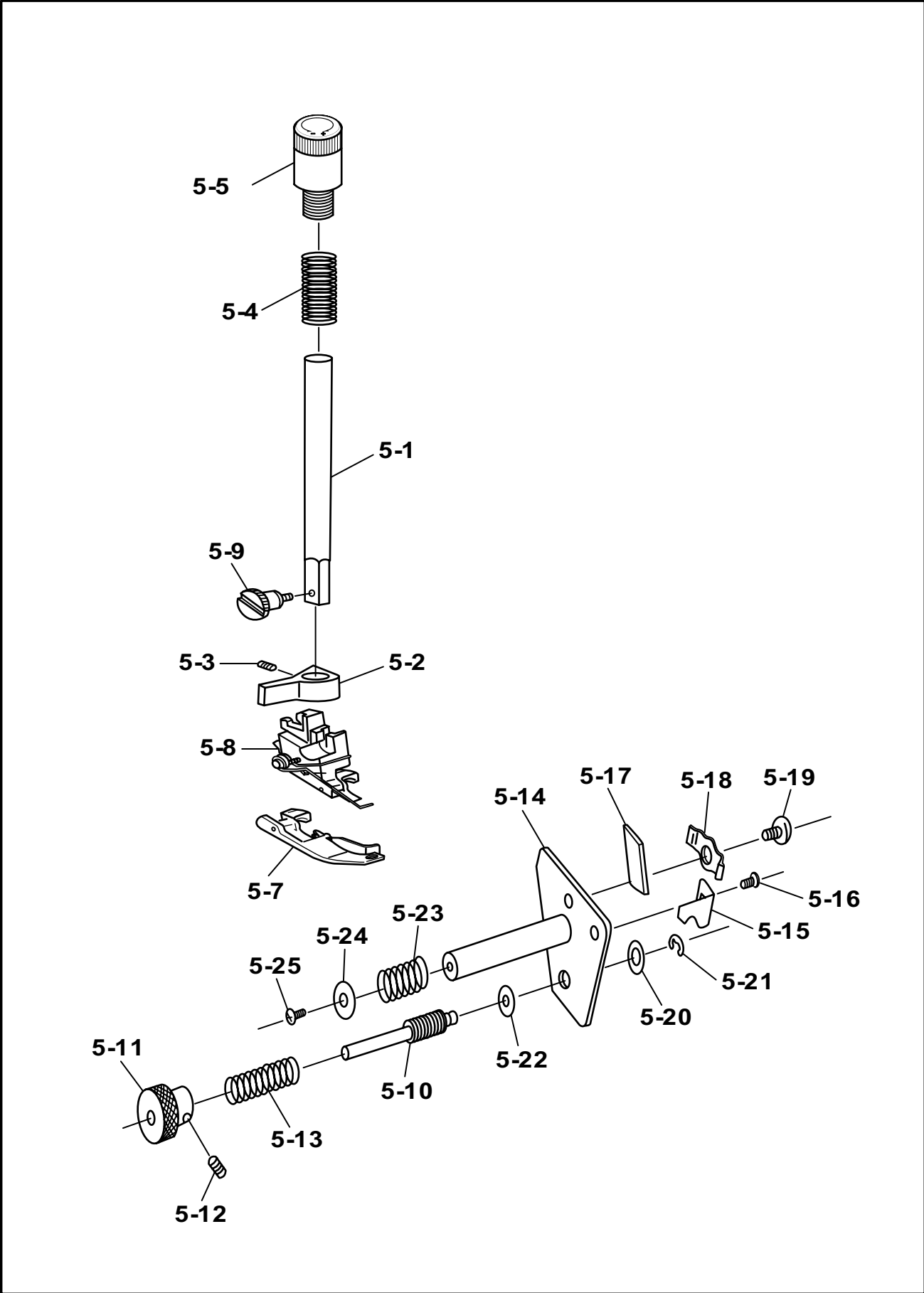
Pos	Part Number	Description
3-1	416 01 03-01	Thread guide -D-
3-2	416 00 18-01	Set screw
3-3	416 00 22-01	Set screw
3-4	416 01 06-01	Thread guide -A-
3-5	416 00 17-01	Set screw
3-6	416 00 73-01	Take-up lever thread guide
3-7	416 00 22-01	Set screw
3-8	415 50 50-01	Thread guide -No.2
3-9	416 01 00-01	Back panel of front panel
3-10	416 00 18-01	Set screw
3-11	416 00 11-01	Set screw
3-12	416 01 05-01	Thread guide -B-
3-13	416 00 18-01	Set screw
3-14	416 10 83-01	Front cover
3-15	416 00 86-01	Cover hook-B
3-16	416 00 17-01	Set screw Pfaff
3-17	416 00 63-01	Front cover hinge
3-18	416 00 17-01	Set screw
3-19	416 00 26-01	Set screw
3-20	416 00 91-01	Telescopic thread stand
3-21	416 01 42-01	Spool pin stand
3-22	416 00 23-01	Set screw
3-23	415 50 07-01	Set screw
3-24	415 50 10-01	Thread holder
3-25	416 00 17-01	Set screw

4. Upper shaft & Needle bar



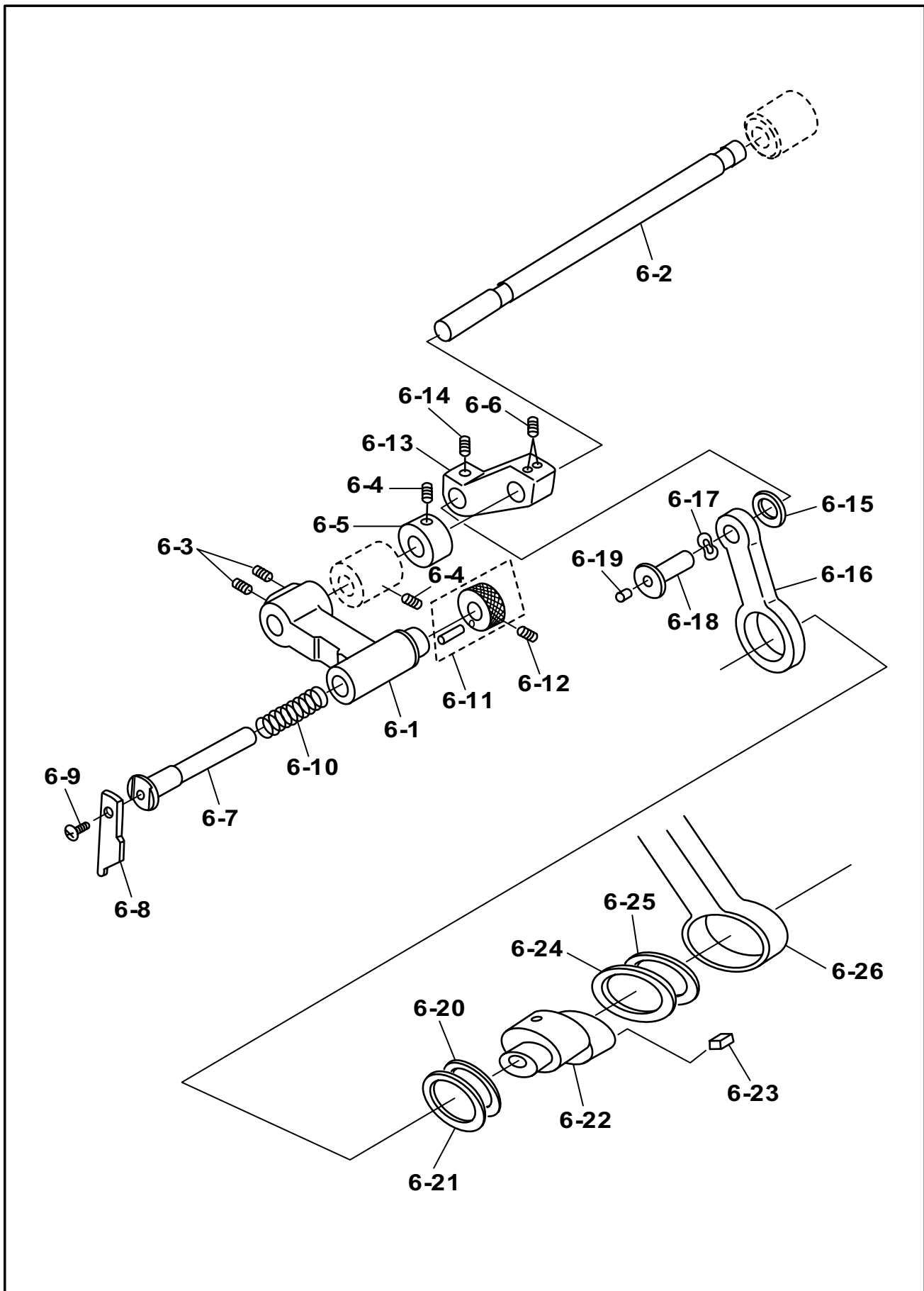
Pos	Part Number	Description
4-1	415 52 80-01	Needle bar
4-2	415 52 86-01	Needle stopper
4-3	415 52 88-01	Needle clamp
4-4	415 52 81-01	Felt
4-5	415 52 90-01	Needle bat thread guide
4-6	416 00 10-01	Set screw
4-7	416 00 06-01	Set screw
4-8	416 00 04-01	Set screw
4-9	416 08 87-01	Needle 5 x # 80
4-10	415 52 83-01	Needle bar holder
4-11	415 52 99-01	Set screw
4-12	415 52 92-01	Needle bar drive link
4-13	415 52 82-01	Needle bar drive arm pin
4-14	416 01 09-01	Take-up lever
4-15	416 00 07-01	Set screw
4-16	416 00 75-01	Upper shaft
4-17	415 52 95-01	Needle drive arm
4-18	415 52 96-01	Spring pin
4-19	416 00 00-01	Set screw
4-20	415 52 31-01	Washer
4-21	416 00 01-01	Set screw
4-22	415 51 88-01	Collar
4-23	415 53 02-01	Balance
4-24	415 52 79-01	Upper shaft drive link pin
4-25	415 51 94-01	Washer
4-26	416 00 50-01	Wave washer

5. Presser bar & Cutting width



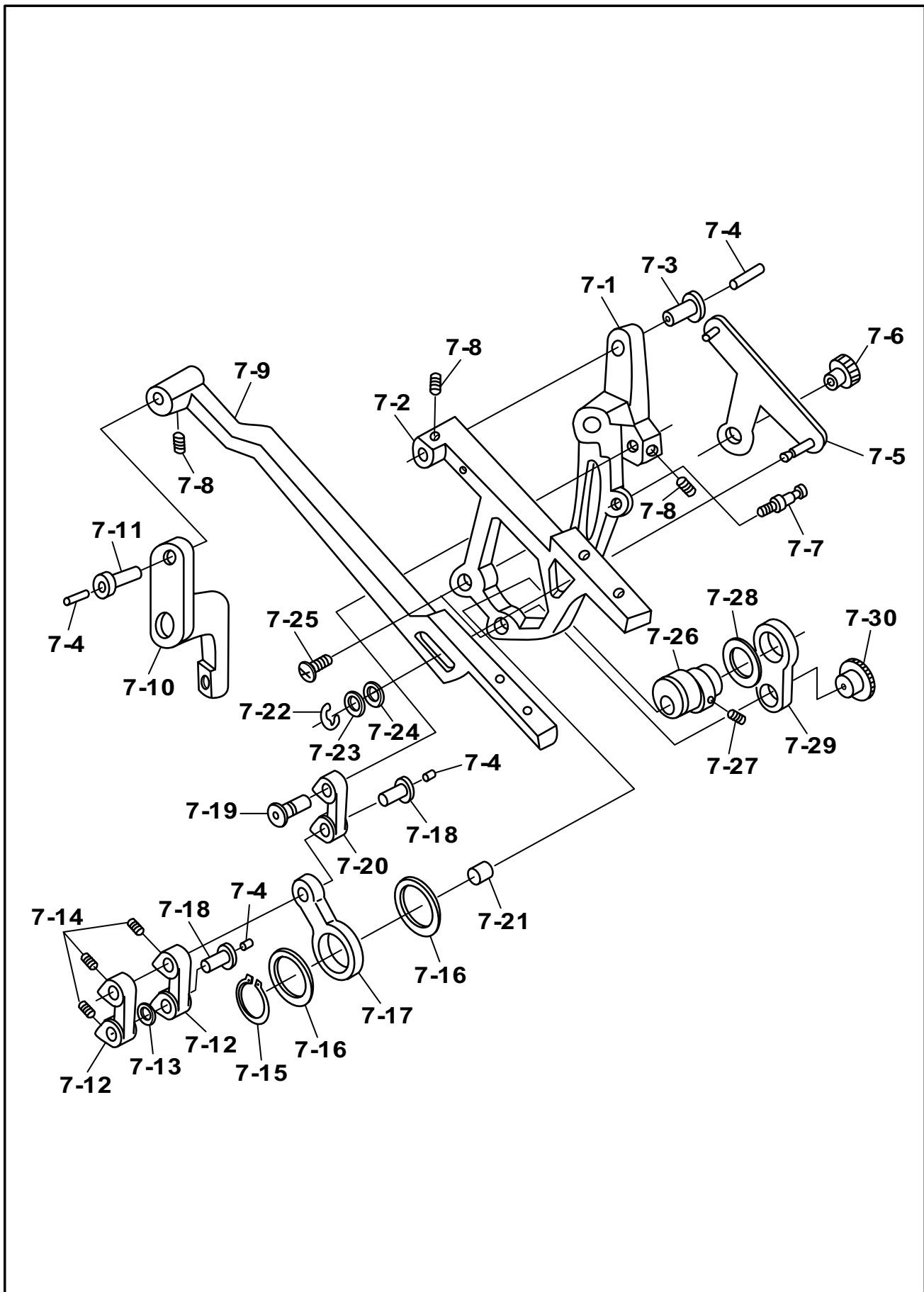
Pos	Part Number	Description
5-1	415 51 72-01	Presser bar
5-2	415 51 75-01	Presser bar bracket
5-3	416 00 01-01	Set screw
5-4	415 51 71-01	Presser spring
5-5	416 10 84-01	Presser regulator
5-6	416 00 57-01	Presser regulator screw panel
5-7	416 01 10-01	Sewing foot
5-8	416 01 46-01	Sewing foot holder
5-9	416 00 25-01	Set screw
5-10	416 00 84-01	Adjusting screw
5-11	416 00 83-01	Lower cutter adjusting dial
5-12	415 51 16-01	Set screw
5-13	416 00 82-01	Lower cutter spring
5-14	416 00 94-01	Bottom messer stand set
5-15	416 10 85-01	Cut guide
5-16	415 51 61-01	Set screw
5-17	415 50 84-01	Bottom messer
5-18	416 10 86-01	Messer stand
5-19	415 51 87-01	Set screw
5-20	416 00 44-01	Washer
5-21	416 00 33-01	E-Ring
5-22	416 00 40-01	Washer
5-23	415 53 39-01	Lower cutter stand spring
5-24	416 00 49-01	Washer
5-25	416 00 13-01	Set screw

6. Cutting width



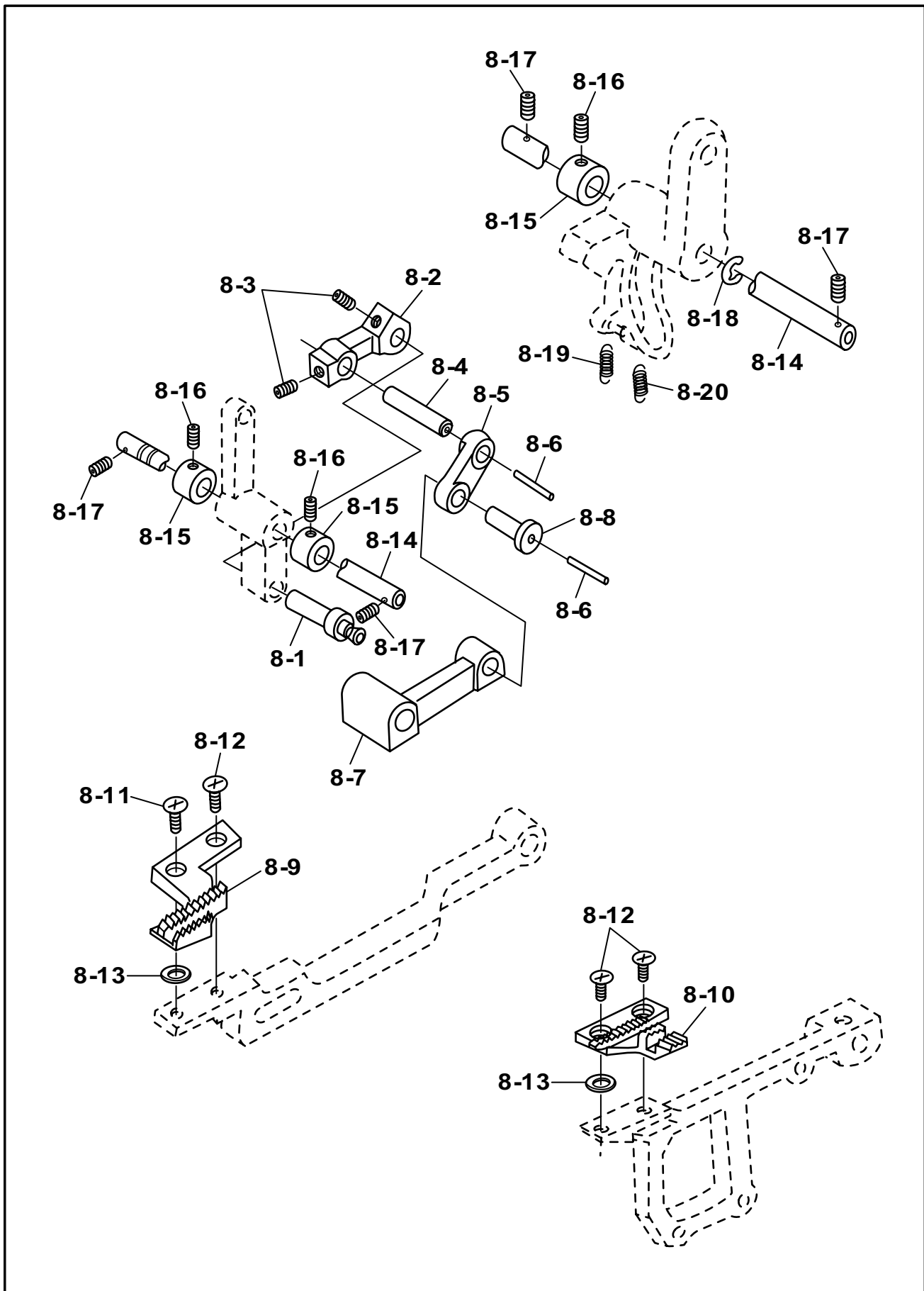
Pos	Part Number	Description
6-1	416 00 81-01	Upper cutter lever
6-2	415 51 89-01	Cutter drive shaft
6-3	415 52 37-01	Set screw
6-4	416 00 01-01	Set screw
6-5	415 51 88-01	Collar
6-6	415 51 92-01	Set screw
6-7	415 51 83-01	Cutter stand shaft
6-8	415 51 86-01	Upper cutter
6-9	415 51 87-01	Set screw
6-10	415 51 84-01	Cutter pressure spring
6-11	415 51 85-01	Cutter rotating dial
6-12	415 51 16-01	Set screw
6-13	415 51 90-01	Cutter drive shaft
6-14	415 51 91-01	Screw
6-15	415 51 91-01	Washer
6-16	415 52 66-01	Cutter link
6-17	416 00 52-01	Wave washer
6-18	415 52 50-01	Driver link pin
6-19	415 51 27-01	Felt
6-20	415 52 67-01	Washer
6-21	415 53 19-01	Washer
6-22	415 52 68-01	Messer drive cam
6-23	415 53 28-01	Felt
6-24	415 52 71-01	Washer
6-25	415 52 69-01	Washer
6-26	415 52 72-01	Upper shaft drive link

7. Differential feed & Feed dog ①



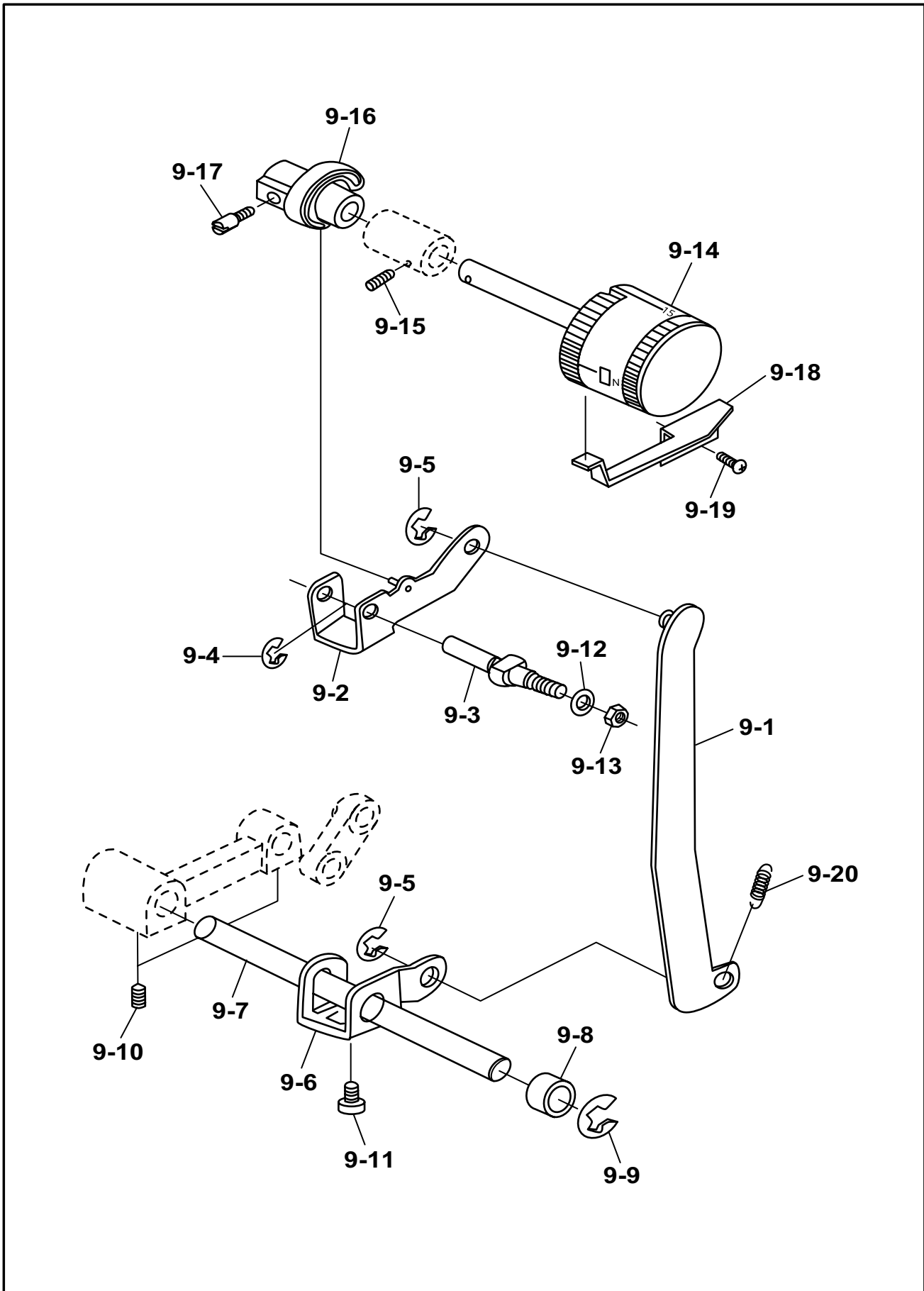
Pos	Part Number	Description
7-1	415 51 15-01	Feed lever (1)
7-2	415 51 57-01	Feed plate (1)
7-3	415 51 48-01	Feed lever pin
7-4	415 51 27-01	Felt
7-5	415 51 67-01	Feed dog adjusting plate ass'y
7-6	415 51 68-01	Adjust cam B
7-7	416 01 21-01	Feed lever (1) shaft
7-8	415 51 16-01	Set screw
7-9	415 51 56-01	Feed plate (2)
7-10	415 51 47-01	Feed lever (2)
7-11	415 51 48-01	Feed lever pin
7-12	415 53 16-01	Feed adjusting lever
7-13	416 00 49-01	Washer
7-14	416 00 01-01	Set screw
7-15	415 53 18-01	C-Ring
7-16	415 53 19-01	Washer
7-17	415 53 22-01	Feed rock link
7-18	415 53 20-01	Feed rock pin
7-19	415 53 24-01	Feed link pin
7-20	415 53 23-01	Feed regulator link
7-21	415 53 28-01	Felt
7-22	415 50 61-01	E-Ring
7-23	416 01 60-01	Washer
7-24	415 51 59-01	Washer
7-25	416 00 16-01	Set screw
7-26	415 51 93-01	Feed cam
7-27	415 51 32-01	Set screw
7-28	415 51 95-01	Washer
7-29	415 51 96-01	Feed lifting link
7-30	415 51 97-01	Adjust cam

8. Differential feed & Feed dog ②



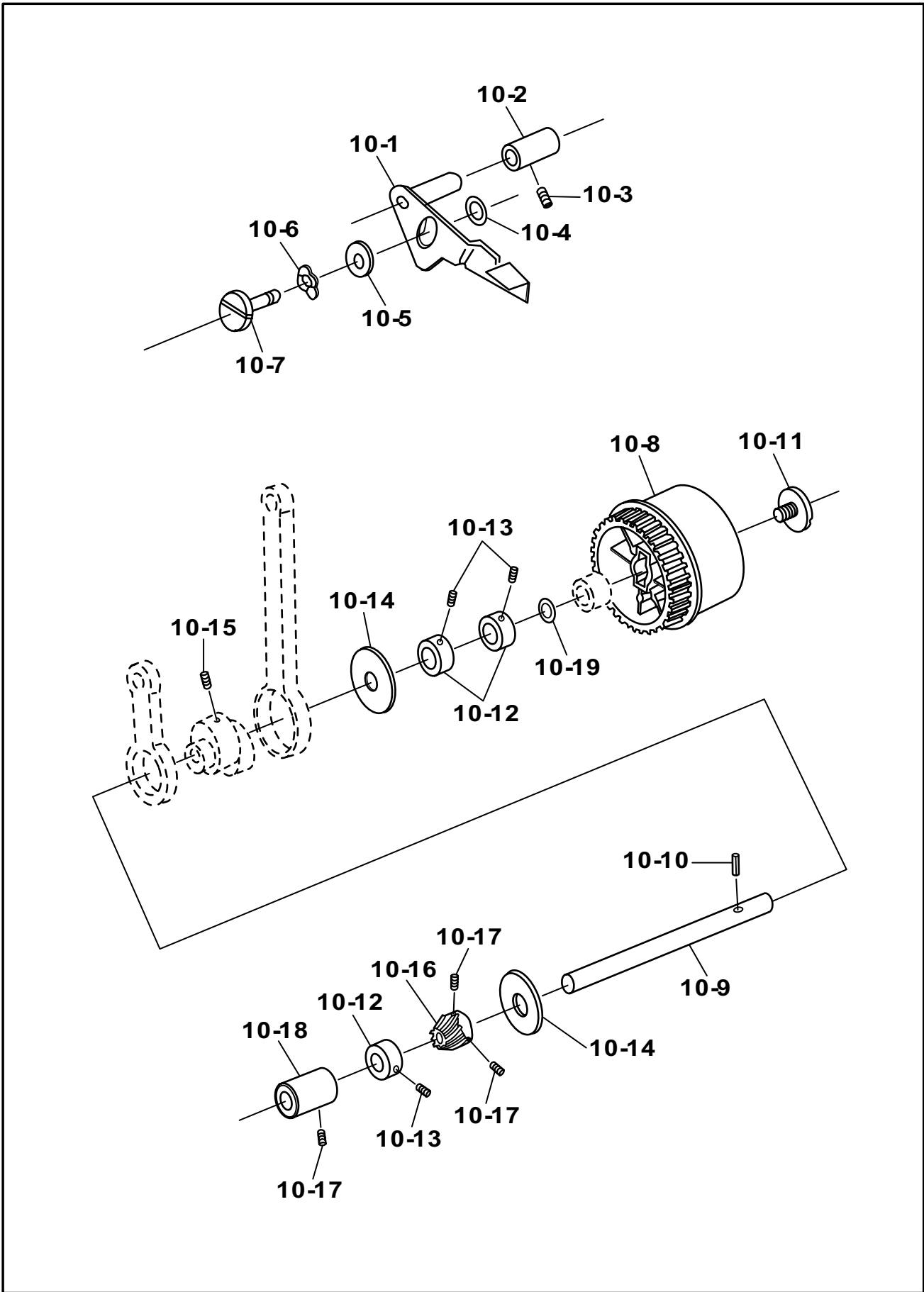
Pos	Part Number	Description
8-1	415 51 55-01	Feed bar arm (2) pin
8-2	415 51 12-01	Differential link (1)
8-3	416 00 01-01	Set screw
8-4	415 51 14-01	Differential link (2) pin
8-5	415 51 28-01	Differential link (2)
8-6	415 51 27-01	Felt
8-7	416 01 22-01	Differential link (3)
8-8	415 53 24-01	Feed link pin
8-9	415 51 60-01	Feed dog (2)
8-10	415 51 65-01	Feed dog (1)
8-11	415 51 61-01	Set screw
8-12	416 00 12-01	Set screw
8-13	415 51 63-01	Washer
8-14	415 51 19-01	Feed bar arm shaft
8-15	415 51 50-01	Feed bar collar
8-16	415 51 16-01	Set screw
8-17	416 00 01-01	Set screw
8-18	415 51 20-01	E-Ring
8-19	415 51 25-01	Feed bar arm spring (2)
8-20	415 51 48-01	Feed bar arm spring (1)

9. Differential feed & Feed dog ③



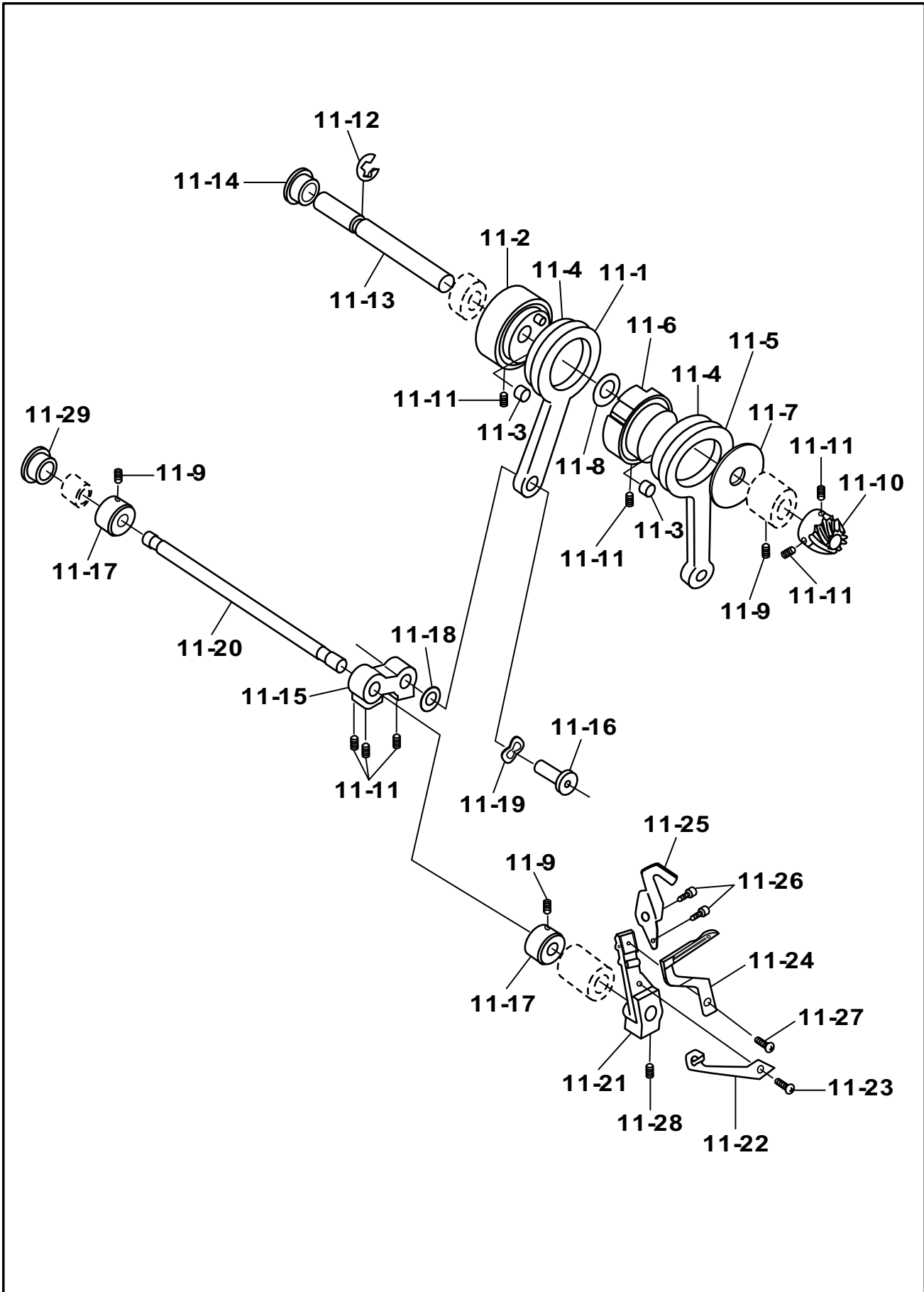
Pos	Part Number	Description
9-1	416 01 27-01	Differential link (6) ass'y
9-2	416 01 25-01	Differential link (5) ass'y
9-3	416 01 26-01	Differential feed link (5) shaft
9-4	416 00 32-01	E-Ring
9-5	415 50 61-01	E-Ring
9-6	415 51 33-01	Differential feed link (4)
9-7	415 51 30-01	Differential feed shaft
9-8	416 01 69-01	Differential feed link (4) collar
9-9	415 51 20-01	E-Ring
9-10	415 51 32-01	Set screw
9-11	415 50 03-01	Set screw
9-12	416 00 41-01	Washer
9-13	416 01 56-01	Nut
9-14	416 01 31-01	Differential dial
9-15	416 00 01-01	Set screw
9-16	415 50 99-01	Differential feed cam
9-17	416 01 29-01	Set screw
9-18	416 01 28-01	Differential dial spring
9-19	415 51 07-01	Set screw
9-20	416 01 64-01	Differential link (4) spring

10. Lower shaft



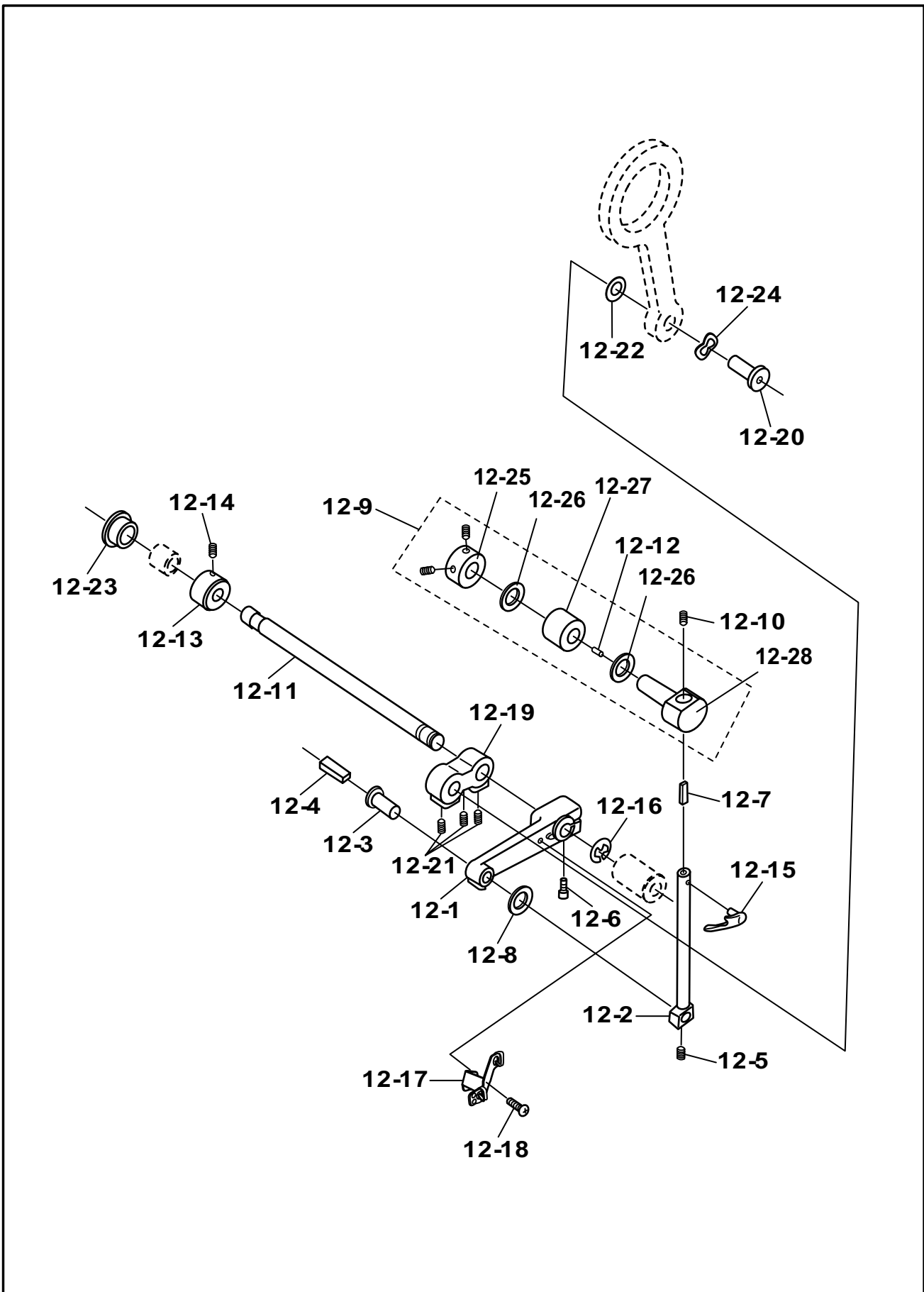
Pos	Part Number	Description
10-1	416 01 20-01	Feed regulator lever ass'y
10-2	415 51 42-01	Bushing
10-3	416 00 01-01	Set screw
10-4	416 00 39-01	Washer
10-5	416 01 59-01	Washer
10-6	416 01 63-01	Wave washer
10-7	416 00 56-01	Feed lever stud
10-8	416 00 92-01	Handwheel
10-9	415 51 78-01	Lower shaft
10-10	415 51 79-01	Spring pin
10-11	416 00 60-01	Set screw for handwheel
10-12	415 51 88-01	Collar
10-13	415 52 02-01	Set screw
10-14	415 52 59-01	Washer
10-15	415 51 32-01	Set screw
10-16	415 52 22-01	Lower shaft gear
10-17	416 00 01-01	Set screw
10-18	415 51 99-01	Lower shaft bushing-F
10-19	415 51 94-01	Washer

11. Lower looper



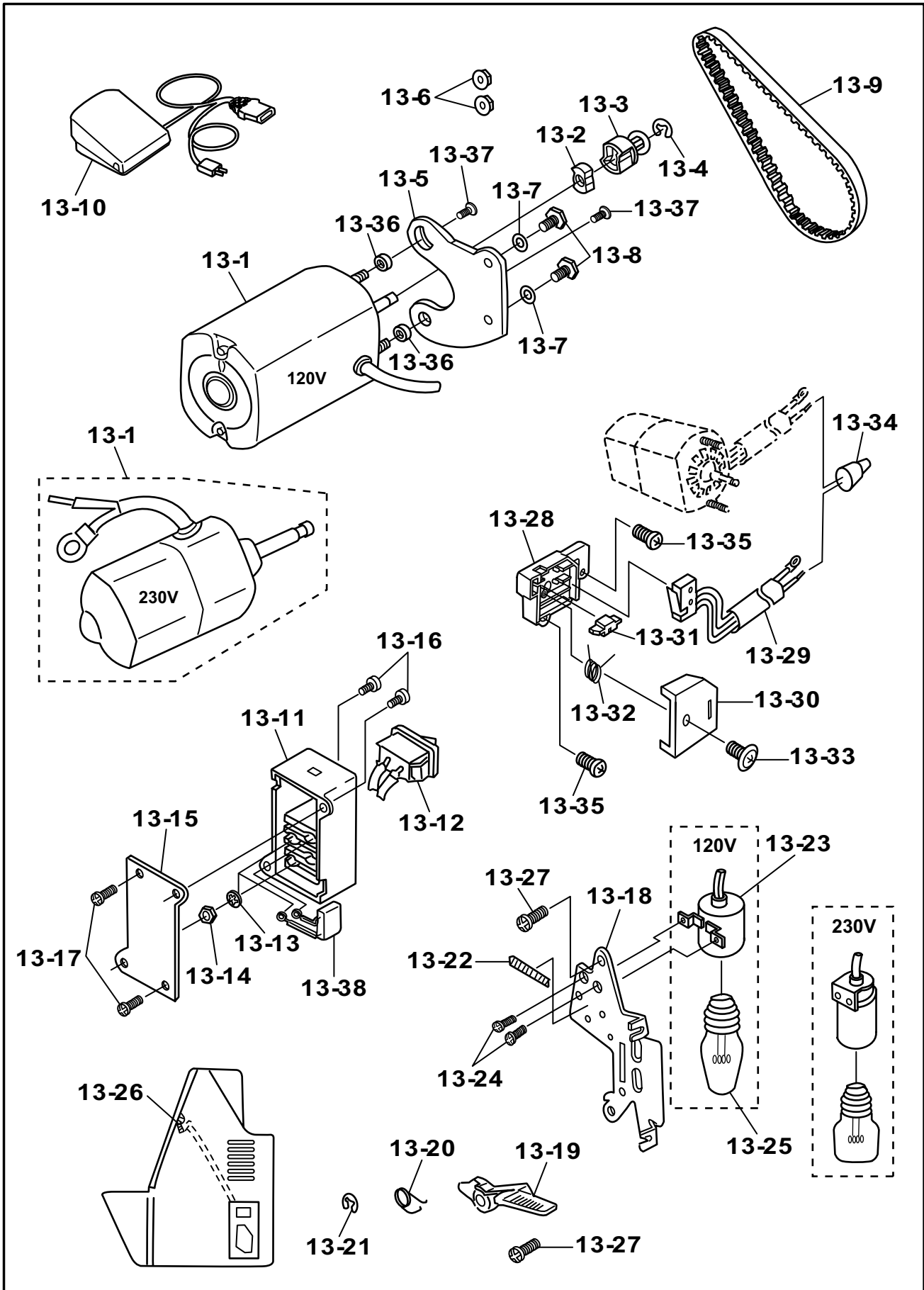
Pos	Part Number	Description
11-1	415 52 49-01	Drive link
11-2	415 52 46-01	Lower looper drive cam
11-3	415 52 47-01	Felt
11-4	415 52 64-01	Washer
11-5	415 52 49-01	Drive link
11-6	416 00 78-01	Upper looper drive cam
11-7	415 52 59-01	Washer
11-8	415 52 70-01	Washer
11-9	416 00 01-01	Set screw
11-10	415 52 62-01	Drive shaft gear
11-11	415 51 32-01	Set screw
11-12	415 52 52-01	E-Ring
11-13	415 52 43-01	Drive shaft
11-14	416 00 79-01	Drive shaft cap
11-15	415 52 06-01	Drive link lever
11-16	415 52 50-01	Drive link pin
11-17	415 52 32-01	Collar
11-18	415 51 91-01	Washer
11-19	416 00 52-01	Wave washer
11-20	416 00 76-01	Lower looper drive shaft
11-21	415 52 36-01	Lower looper stand
11-22	416 10 87-01	Lower looper thread guide
11-23	416 00 12-01	Set screw
11-24	415 52 38-01	Lower looper
11-25	415 52 39-01	Needle guide
11-26	415 52 40-01	Hexagon screw
11-27	416 00 13-01	Set screw
11-28	415 52 37-01	Hexagon screw
11-29	416 00 77-01	Lower shaft cap

12. Upper looper



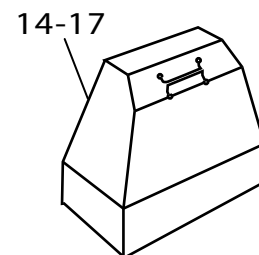
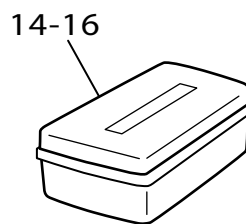
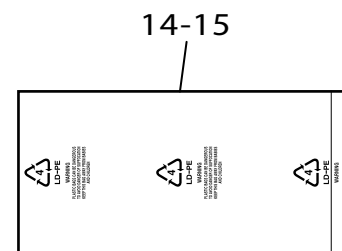
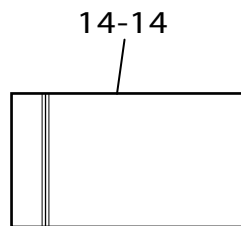
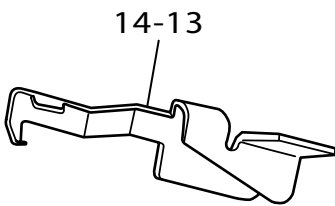
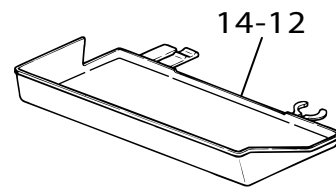
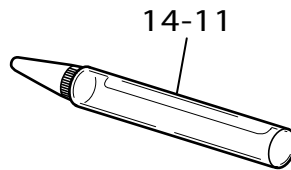
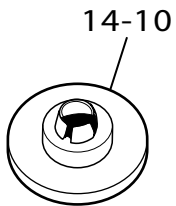
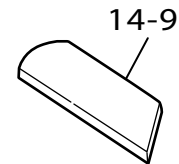
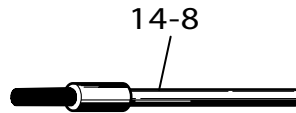
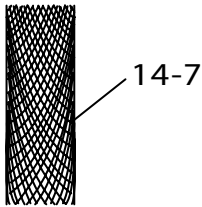
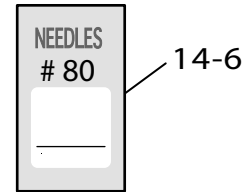
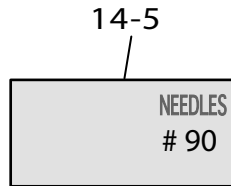
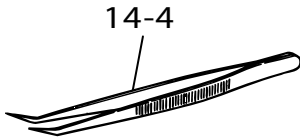
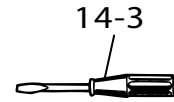
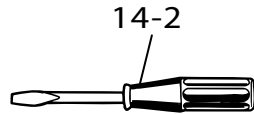
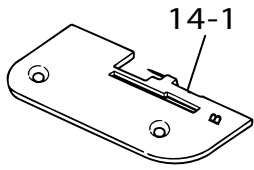
Pos	Part Number	Description
12-1	415 52 08-01	Looper drive lever
12-2	416 01 45-01	Upper looper stand shaft
12-3	415 52 14-01	Upper looper shaft pin
12-4	415 51 27-01	Felt
12-5	416 10 88-01	Set screw
12-6	415 52 09-01	Set screw
12-7	415 52 19-01	Felt
12-8	416 01 61-01	Washer
12-9	416 10 89-01	Upper looper fulcrum kpl
12-10	415 51 16-01	Set screw
12-11	415 52 03-01	Upper looper driver shaft
12-12	415 51 27-01	Felt
12-13	415 52 32-01	Collar
12-14	416 00 01-01	Set screw
12-15	416 01 47-01	Upper looper
12-16	416 01 24-01	E-Ring
12-17	416 10 91-01	Looper take-up lever
12-18	415 51 07-01	Set screw
12-19	415 52 06-01	Drive link lever
12-20	415 52 50-01	Drive link pin
12-21	415 51 32-01	Set screw
12-22	415 51 91-01	Washer
12-23	416 00 77-01	Looper shaft cap
12-24	416 00 52-01	Wave washer
12-25	416 01 55-01	Collar
12-26	415 52 24-01	Washer
12-27	415 52 21-01	Bushing
12-28	416 00 89-01	Upper looper fulcrum

13. Motor & Foot control



Pos	Part Number	Description
13-1	416 10 92-01	Motor ass'y (USA)
	416 10 93-01	Motor ass'y (EU / AUST)
13-2	415 53 52-01	Cushion rubber
13-3	416 01 44-01	Motor pulley
13-4	416 00 32-01	E-Ring
13-5	416 01 30-01	Motor bracket
13-6	416 10 94-01	Nut (For USA Motor ass'y)
13-7	416 01 63-01	Washer
13-8	415 53 58-01	Set screw
13-9	415 53 59-01	Timing belt
13-10	416 00 98-01	Foot controller (USA)
	416 01 38-01	Foot controller (EU)
	416 01 37-01	Foot controller (AUST)
	412 80 18-01	Foot controller (ENG)
13-11	416 00 58-01	Receptacle
13-12	416 01 36-01	Switch (USA)
	416 00 95-01	Switch (EU / AUST)
13-13	416 00 51-01	Washer (For USA Motor ass'y)
	416 00 51-01	Washer (For EU / AUST Motor ass'y)
13-14	416 00 30-01	Nut (For USA Motor ass'y)
	416 00 30-01	Nut (For EU / AUST Motor ass'y)
13-15	415 53 60-01	Receptacle cover
13-16	415 50 03-01	Set screw
13-17	416 10 95-01	Set screw
13-18	416 00 70-01	Presser bar lifter stand ass'y
13-19	416 00 72-01	Presser bar lift
13-20	416 00 71-01	Presser bar lifter spring
13-21	416 01 24-01	E-Ring
13-22	416 01 58-01	Light bulb plate (USA)
	415 53 09-01	Light bulb plate (EU / AUST)
13-23	415 53 62-01	Lampholder ass'y (USA)
	416 01 43-01	Lampholder ass'y (EU / AUST)
13-24	415 50 59-01	Set screw
13-25	415 53 63-01	Light bulb (110V / 15W) : USA
	415 50 85-01	Light bulb (240V / 15W) : EU / AUST
13-26	416 01 70-01	Fastener
13-27	415 53 07-01	Set screw
13-28	416 01 12-01	Lower switch cover
13-29	416 01 11-01	Front cover switch ass'y
13-30	416 01 51-01	Switch cover
13-31	416 01 53-01	Switch button
13-32	416 01 52-01	Switch knob spring
13-33	416 00 17-01	Set screw
13-34	416 01 39-01	End point
13-35	416 00 15-01	Set screw
13-36	416 00 45-01	Washer (For EU / AUST Motor ass'y)
13-37	416 00 20-01	Set screw (For EU / AUST Motor ass'y)
13-38	416 10 96-01	Condenser (For EU / AUST Motor ass'y)

14. Accessories



Pos	Part Number	Description
14-1	416 00 88-01	Needle plate
14-2	412 28 90-02	Screw driver -L-
14-3	412 28 90-01	Screw driver -S-
14-4	416 01 54-01	Pin cette
14-5	416 08 92-01	Needle 5 x # 90
	416 08 93-01	Needle 10 x # 90
14-6	416 08 88-01	Needle 10 x # 80
	416 08 87-01	Needle 5 x # 80
14-7	415 50 82-01	Net
14-8	401 55 55-01	Brush
14-9	415 50 84-01	Bottom messer
14-10	415 50 90-01	Spool guide (L)
14-11	415 50 89-01	Oiler
14-12	416 00 66-01	Waste tray
14-13	416 01 48-01	Two thread converter
14-14	416 01 40-01	Needle bag
14-15	416 01 35-01	Plastic bag
14-16	416 10 97-01	Accessory box
14-17	416 00 85-01	Dust cover

PFAFF

© 2005 September
Copyright VSM Group AB
All rights reserved

Technische Änderungen vorbehalten
Subject to alterations in design
Sous toute réserve de modifications
techniques
Salvo modificaciones técnicas
Con riserva di modifiche tecniche
Nr. 104 22 59-96