

PFAFF®

hobbylock 2.5

Ersatzteile-Liste
List of spare parts
Liste des pièces détachées
Catalogo pezzi staccati
Lista de piezas de repuesto



Please note that on disposal, this product must be safely recycled in accordance with relevant National legislation relating to electrical/electronic products. If in doubt please contact your retailer for guidance.



Bitte beachten Sie, dass hinsichtlich der Entsorgung dieses Produkts, vorschriftsmäßig entsprechend der gültigen nationalen Gesetzgebung für elektrische/elektronische Produkte, recycelt werden muss. Bei Zweifel setzen Sie sich bitte mit Ihrem Fachhändler in Verbindung.



Veuillez noter qu'en cas de destruction, ce produit doit bénéficier d'un recyclage sécurisé, conforme à la législation nationale applicable aux produits électriques/électroniques. En cas de doute, veuillez contacter votre distributeur agréé.

- All casted parts within our products are marked with name of material if allowed by size.
- All molded plastic parts within our products are marked with name of material if allowed by size.

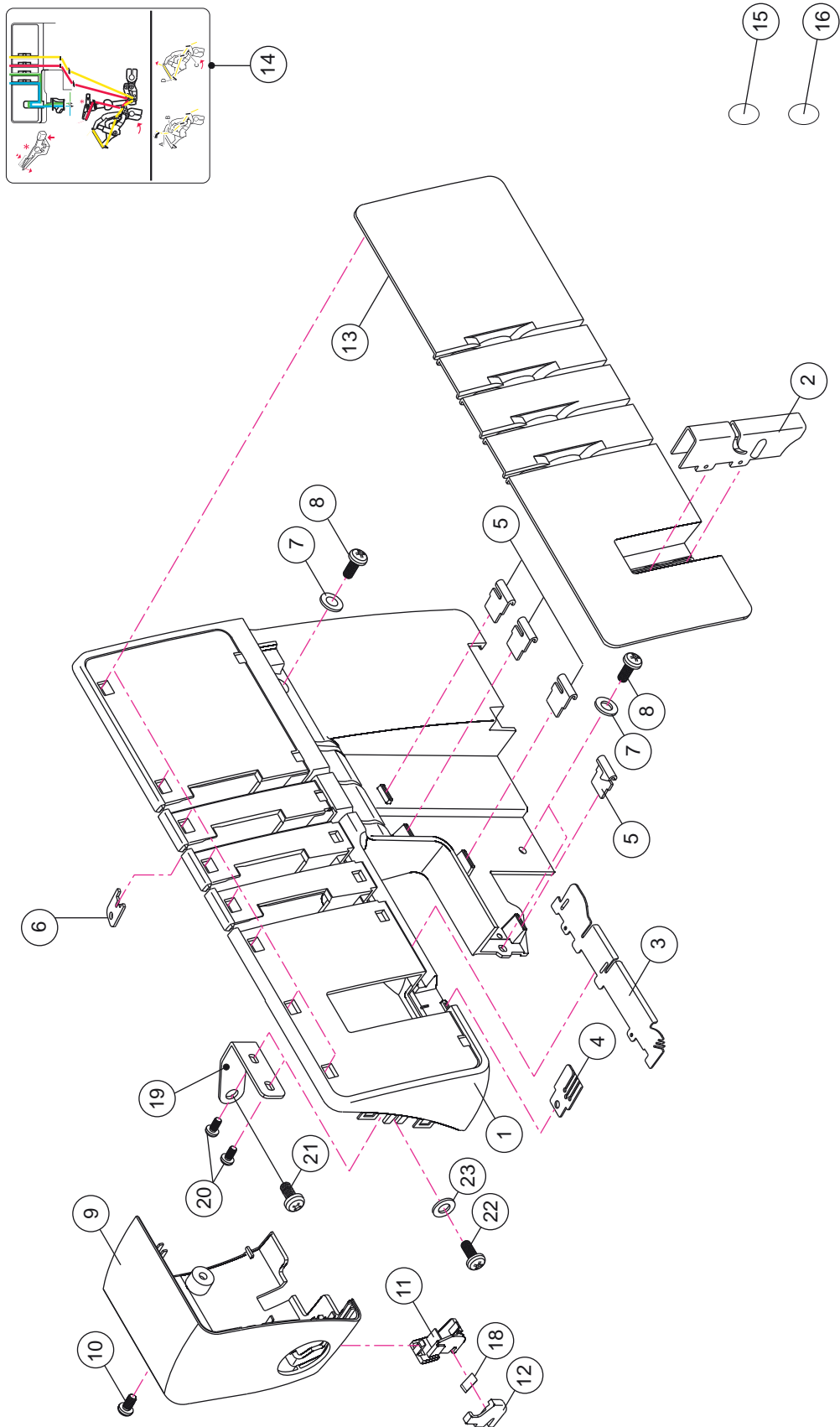
Nicht nummerierte Teile im Katalog werden nicht geliefert.

The parts mentioned without number in the parts list are not available.

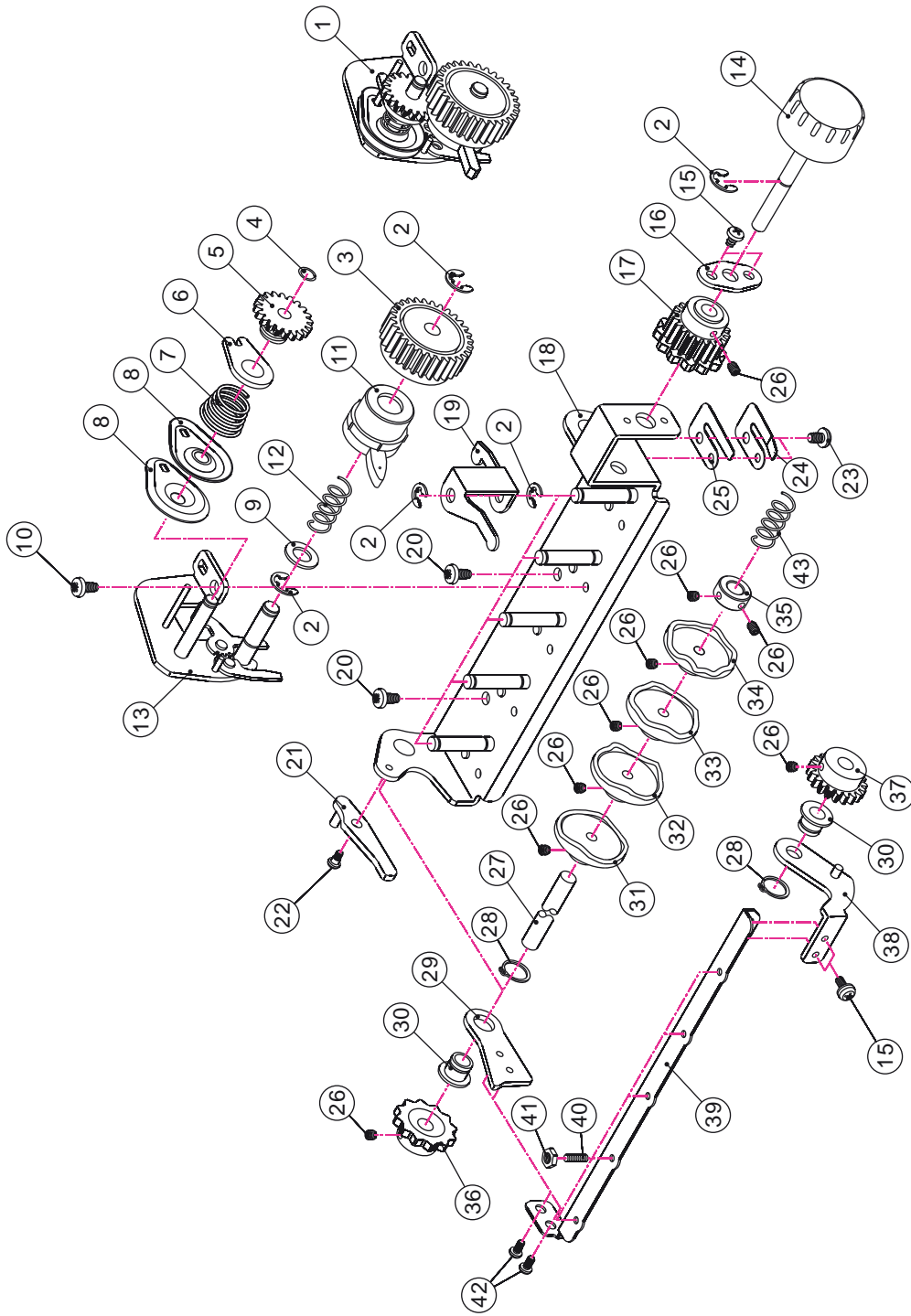
Les pièces qui ne sont pas numérotées dans la liste de pièces détachées ne peuvent être livrées.

Pezzi non catalogati non sono disponibili.

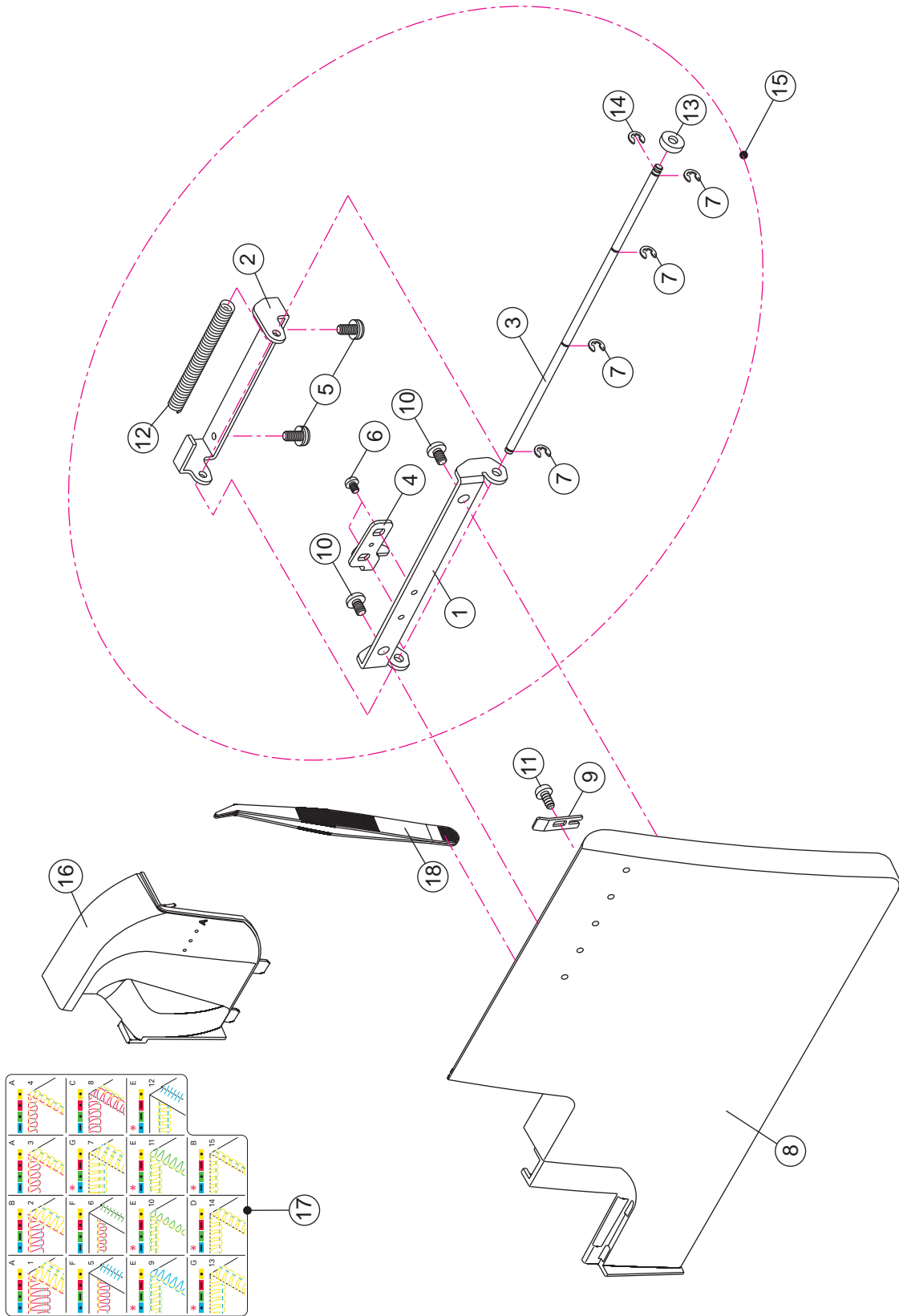
Las piezas de repuesto sin número en esta lista no se entregarán.



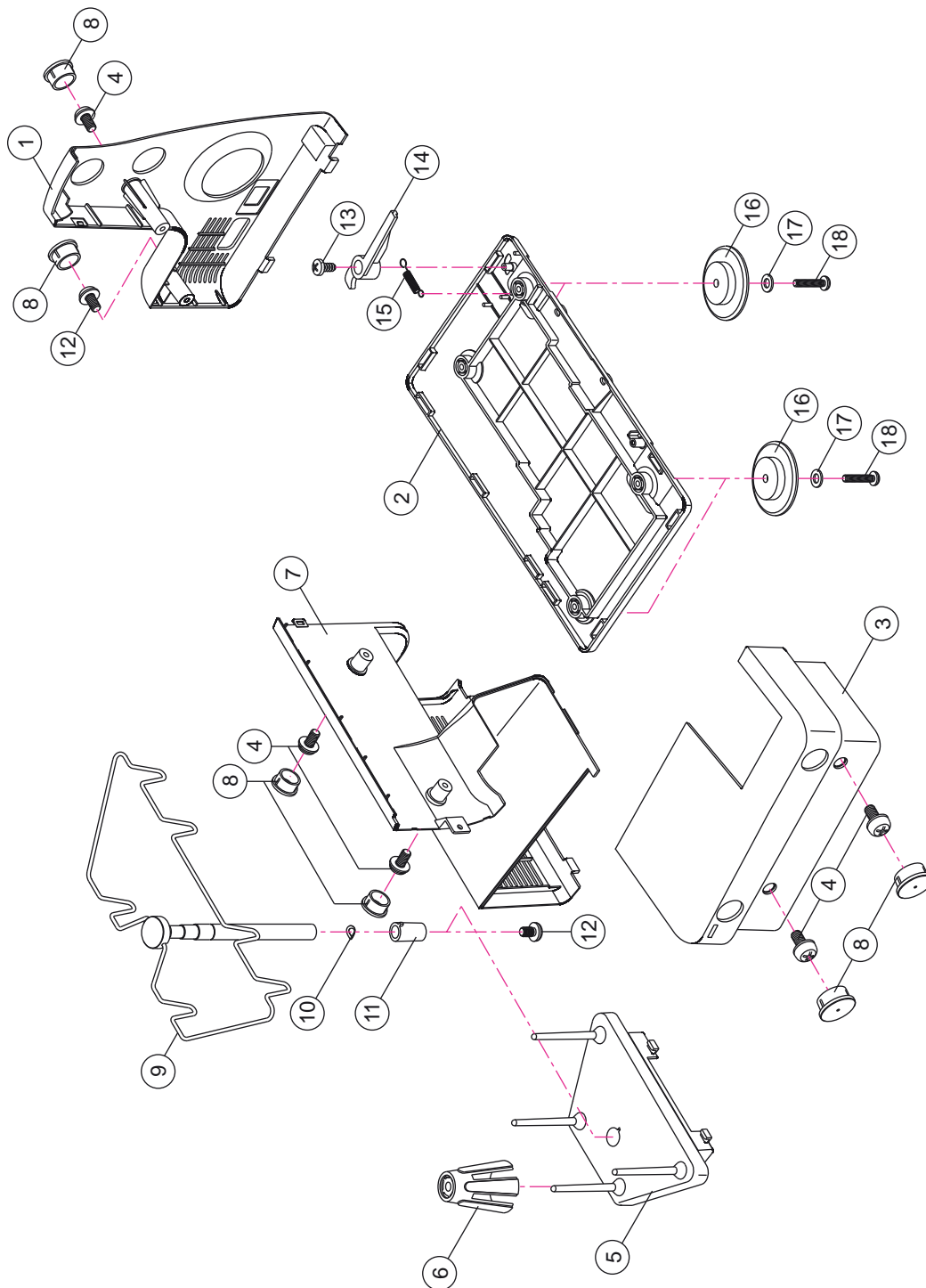
NO.	PART NO.	DESCRIPTION
1	416608001	FRONT PANEL
2	416364201	THREAD TAKE-UP COVER
3	416607901	THREAD GUIDE (B)
4	416607801	THREAD GUIDE (C)
5	270 C10071004	THREAD GUIDE (F)
6	270 B10241004	THREAD GUIDE (D)
7	270 W04F10A06	WASHER
8	270 M04L08A06	SET SCREW
9	416359201	BULB COVER
10	270 M04L10W08	SET SCREW
11	416359301	KNIFE HOLDER
12	416359401	KNIFE HOLDER CAP
13	416607701	TENSION COVER
14	416607601	THREAD GUIDE STICKER
15	416598201	COLOR STICKER (YELLOW)
16	416598301	COLOR STICKER (RED)
17	416359601	KNIFE
18	416607501	FRONT COVER FIXING BOARD
19	416379001	SET SCREW
20	416390601	SET SCREW
21	270 M04L06A04	SET SCREW
22	416607401	WASHER
23	416359501	TENSION COVER SET (NO. 2.14 INCLUDED)
24	416607301	FRONT PANEL SET (NO. 1.3.4.5.6.14.15 AND 16 INCLUDED)
25	416359101	FRONT PANEL SET (NO. 1.2.3.4.5.6.13.14.15.18 AND 19 INCLUDED)



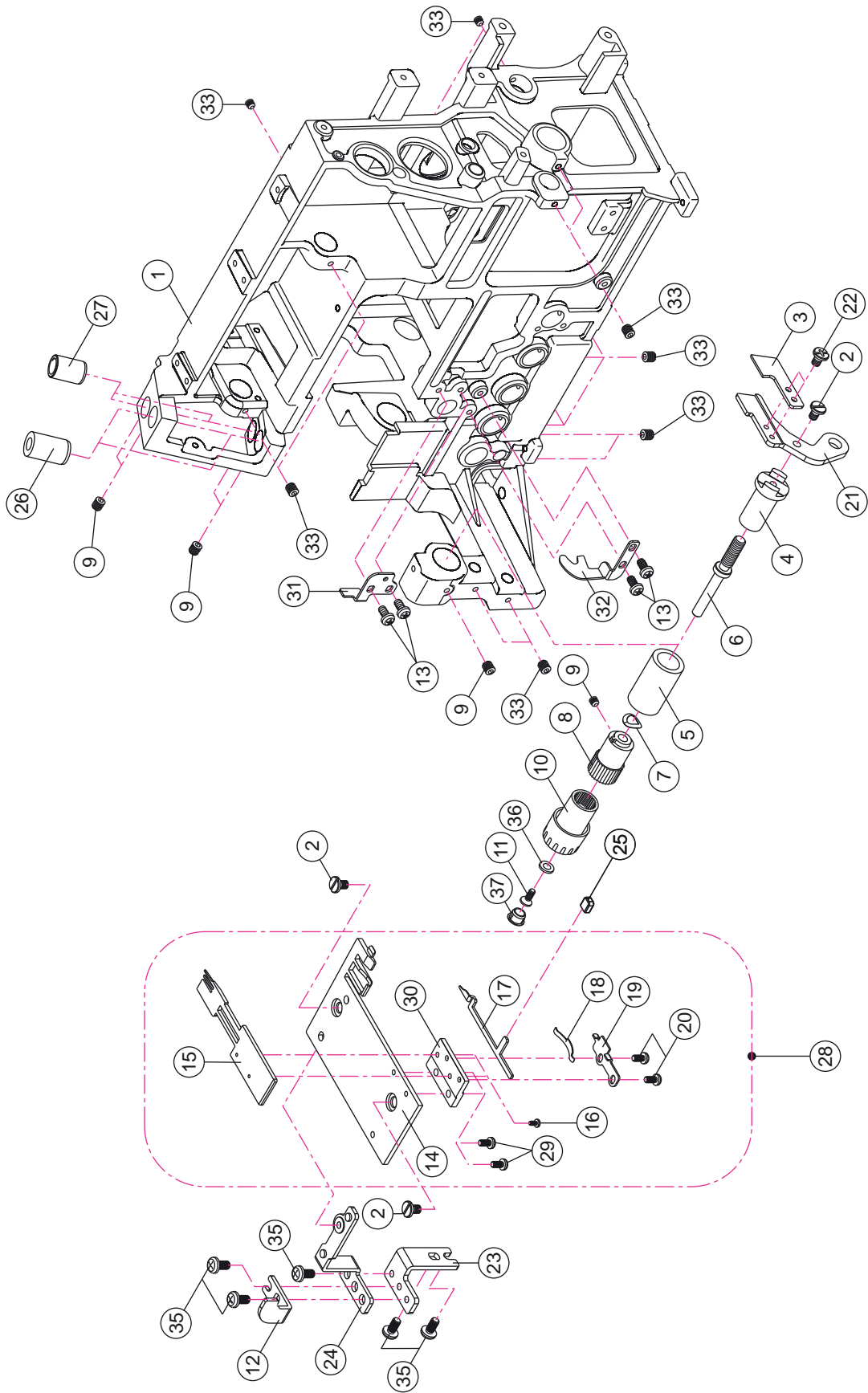
NO.	PART NO.	DESCRIPTION
1	416359701	TENSION FINE TUNING DIAL SET (NO.2.3.4.5.6.7.8.9.11.12.13 INCLUDED)
2	270 E04T06A04	E RING
3	270 G6009	TENSION FINE TUNING GEAR
4	270 G6032	RING
5	270 G6027	TENSION REGULATE GEAR
6	270 G6026	TENSION REGULATE NUT
7	416359801	TENSION SPRING
8	416359901	TENSION DISC
9	270 W06F14A06	WASHER
10	416607201	SET SCREW
11	416607101	TENSION FINE TUNING DIAL
12	416366701	SPRING
13	416607001	TENSION DIAL HOLDER SET
14	416672901	AUTO TENSION DIAL SELECTION
15	270 M03L04A03	SET SCREW
16	416606901	AUTO TENSION DIAL SELECTION SHAFT HOLDER
17	270 G6016	TENSION FIXED GEAR
18	416606801	TENSION DIAL HOLDER
19	416606701	TENSION TRANSMITTING ARM
20	270 M04L10A06	SET SCREW
21		TENSION RESTORING PLATE
22	270 G6037	SET SCREW
23	416390601	SET SCREW
24	416606601	SPRING
25	416606501	SPRING
26	416377201	SET SCREW
27	416606401	TENSION CAM SHAFT
28	270 C08T08A01	C RING
29	416606301	RESTORING PLATE (B)
30	270 G6033	RESTORING PLATE BUSHING
31	270 G6043	TENSION CAM (A)
32	270 G6044	TENSION CAM (B)
33	270 G6045	TENSION CAM (C)
34	270 G6046	TENSION CAM (D)
35	270 G2040	SETTING COLLAR
36	270 G6034	RESTORING GEAR
37	270 G6017	TENSION GEAR
38	416606101	RESTORING PLATE (A)
39	416606201	RESTORING REGULATE PLATE
40	270 M03L07L0	SET SCREW
41	270 M03H02E06	NUT
42	270 M03L03A03	SET SCREW
43	416603801	SPRING
44	416606001	RESTORING PLATE (A) SET (NO. 15.38.39.40.41 INCLUDED)
45	416378101	TENSION DIAL SET (NO. 2.14.15.16.17.18.19.21.22.23.24.25.26.28.30.37.44 INCLUDED)
46	416391601	TENSION DIAL SET (NO. 27.28.29.30.31.32.33.34.35.36.42.43.45 INCLUDED)



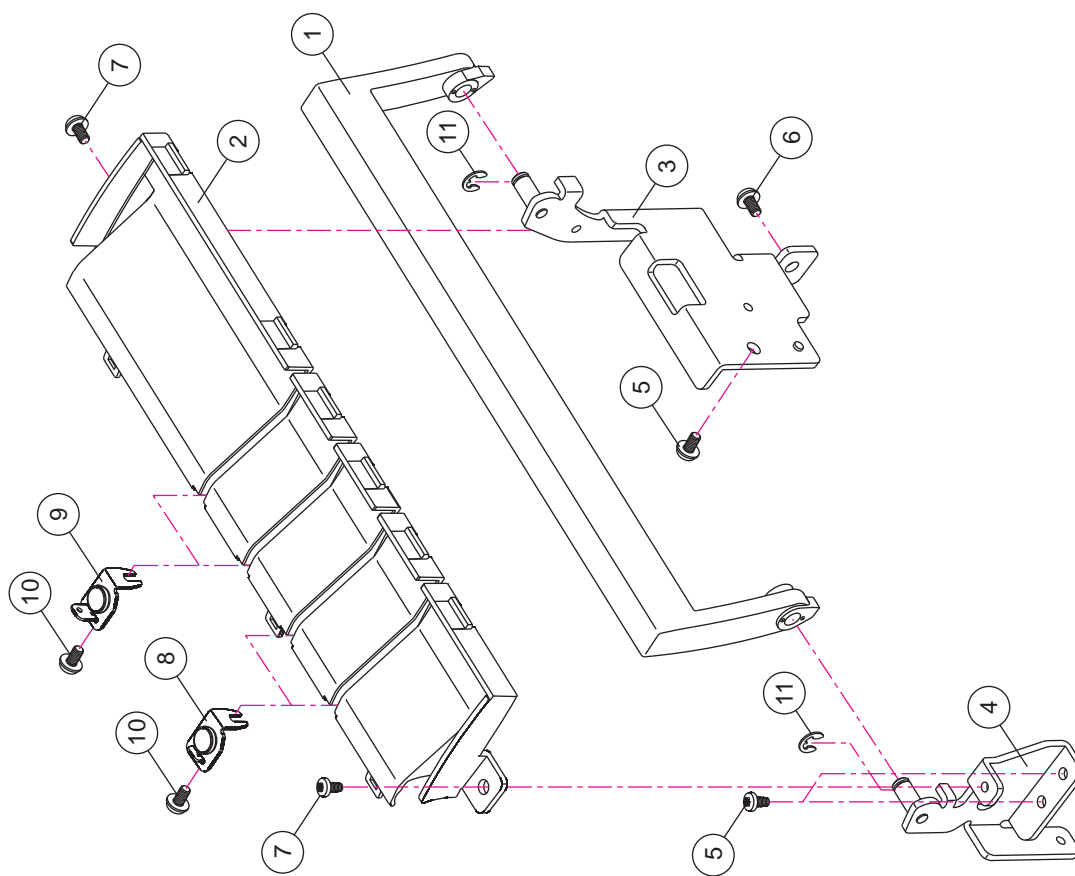
NO.	PART NO.	DESCRIPTION
1	416603601	FRONT COVER HINGE (A)
2	416374301	FRONT COVER HINGE (B)
3	416603401	FRONT COVER HINGE SHAFT
4	416603501	HINGE LOCATING BOARD
5	270 M04L10W08	SET SCREW
6	270 M03L04A03	SET SCREW
7	270 E03T06A04	E RING
8	416673001	FRONT COVER
9	416377301	FRONT COVER SETTING PLATE
10	270 M04L10C06	SET SCREW
11	416377401	SET SCREW
12	270 A11061001	FRONT COVER HINGE SPRING
13	270 G1211	CONNECTING PRESS PLATE
14	270 E03T06C04	E RING
15	416374301	FRONT COVER HINGE SET (NO.1.2.3.4.5.6.7.8.11.13.14.15 INCLUDED)
16	416602401	CUTTER COVER (A)
17	416602301	STITCH STICKER
18	416373101	TWEEZERS



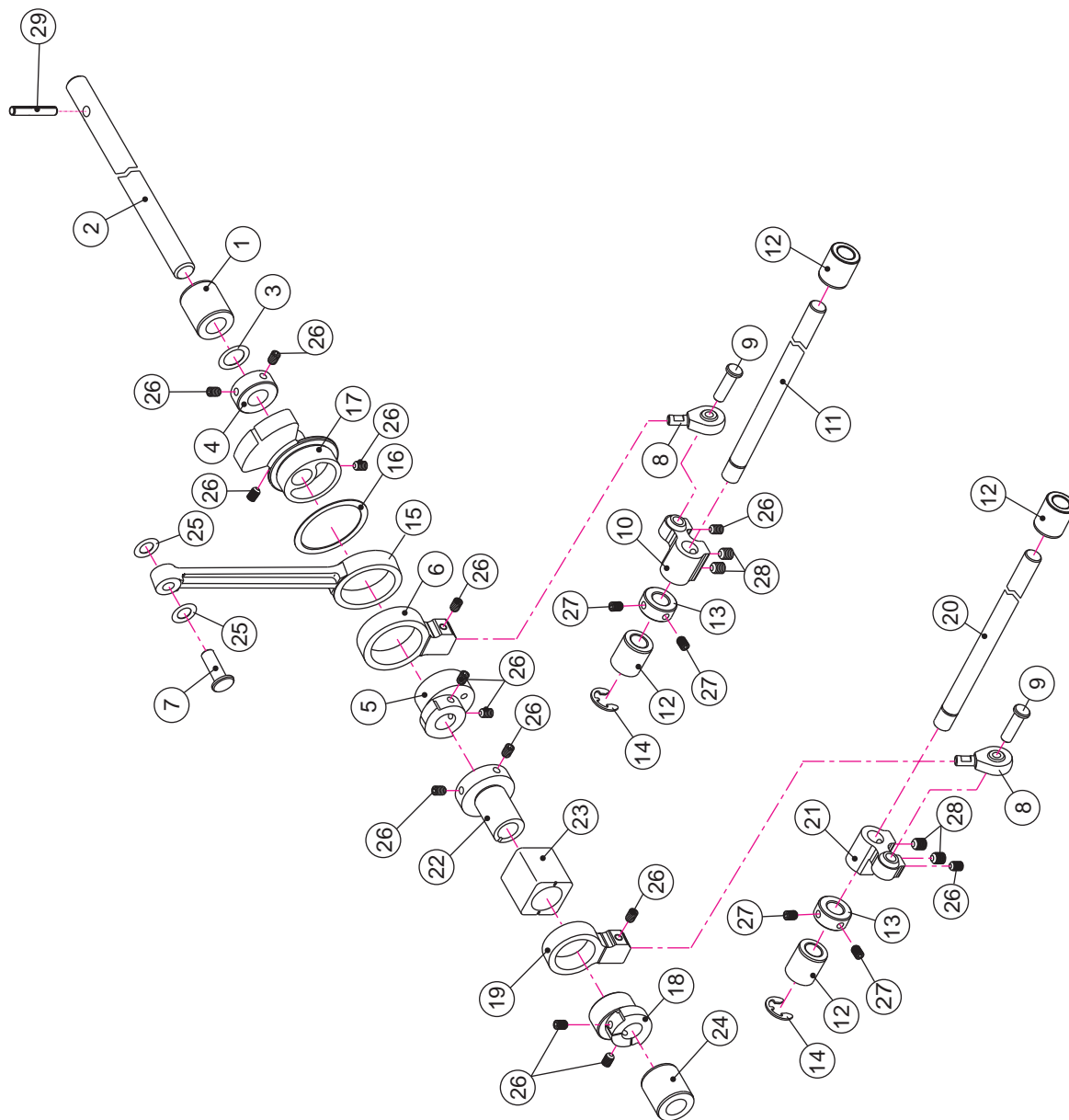
NO.	PART NO.	DESCRIPTION
1	416360301	SIDE COVER
2	416602201	BASE PLATE
3	416360501	FLAT BED EXTENSION
4	270 M04L10W08	SET SCREW
5	416602101	SPOOL STAND
6	416360701	CONE HOLDER
7	416360801	BACK COVER
8	416360901	SCREW CAP
9	416602001	TELESCOPIC THREAD STAND
10	270 W05W09A01	WAVE WASHER
11	416361101	EXTENSION BAR SETTING
12	270 M04L12W08	SET SCREW
13	416379001	SET SCREW
14	416361201	MICRO SWITCH CONTRACTOR SPRING
15	416361301	SPRING
16	416361501	RUBBER
17	270 W04F10A06	WASHER
18	270 M04L22B06	SET SCREW



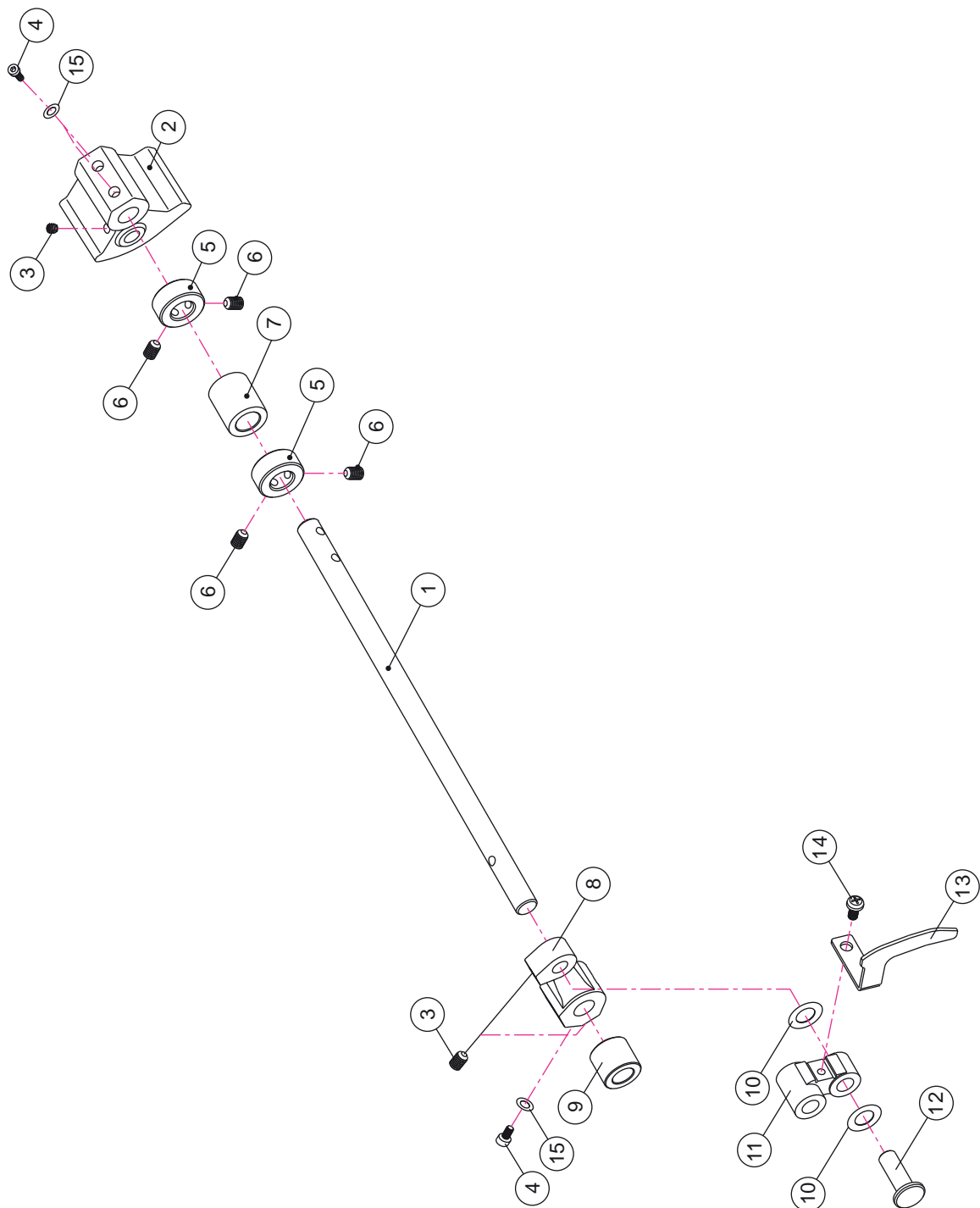
NO.	PART NO.	DESCRIPTION
1	N/S	MACHINE FRAME
2	416427301	SET SCREW
3	416361601	LOWER CUTTER
4	416361701	LOWER CUTTER HOLDER
5	416671601	LOWER CUTTER HOLDER BUSHING
6	270 G1135	CUTTING WIDTH KNOB SHAFT
7	270 W05W09A01	WAVE WASHER
8	270 G2055	CUTTING WIDTH KNOB
9	416377201	SET SCREW
10	416361801	CUTTING WIDTH DIAL
11	416377601	SET SCREW
12	270 G1283	FRONT FEED DOG GUIDE BOARD
13	270 M04L08A06	SET SCREW
14	270 G1067	STITCH PLATE
15	416601101	FIXED LEVER
16	270 M02L04I04	SET SCREW
17	416361901	MOVING LEVER
18	416362001	LOCATING SPRING
19	270 G1132	MOVING LEVER HOLDER
20	270 M03L03A03	SET SCREW
21	416362101	LOWER CUTTER SUPPORT
22	270 M03L04A03	SET SCREW
23	270 G1156	NEEDLE PLATE LOCATING BOARD SUPPORT
24	270 G1155	NEEDLE PLATE LOCATING BOARD
25	270 B10141567	STITCH FINGER LEVER COVER
26	416377701	NEEDLE BAR BUSHING
27	270 G126	PRESSER BAR BUSHING
28	416600001	STITCH PLATE SET (NO. 14.15.16.17.18.19.20.29.30 INCLUDED)
29	270 M03L05A03	SET SCREW
30	270 G2091	FIXED BOARD
31	270 G1154	FEED DOG HOLDER GUIDE BOARD (REAR)
32	270 G1153	FEED DOG HOLDER GUIDE BOARD (FRONT)
33	270 M04L06E01	SET SCREW
34	416601401	LOWER KNIFE SET (NO. 4.5.6 INCLUDED)
35	270 M04L10W08	SET SCREW
36	416601501	WASHER
37	416360901	SCREW CAP



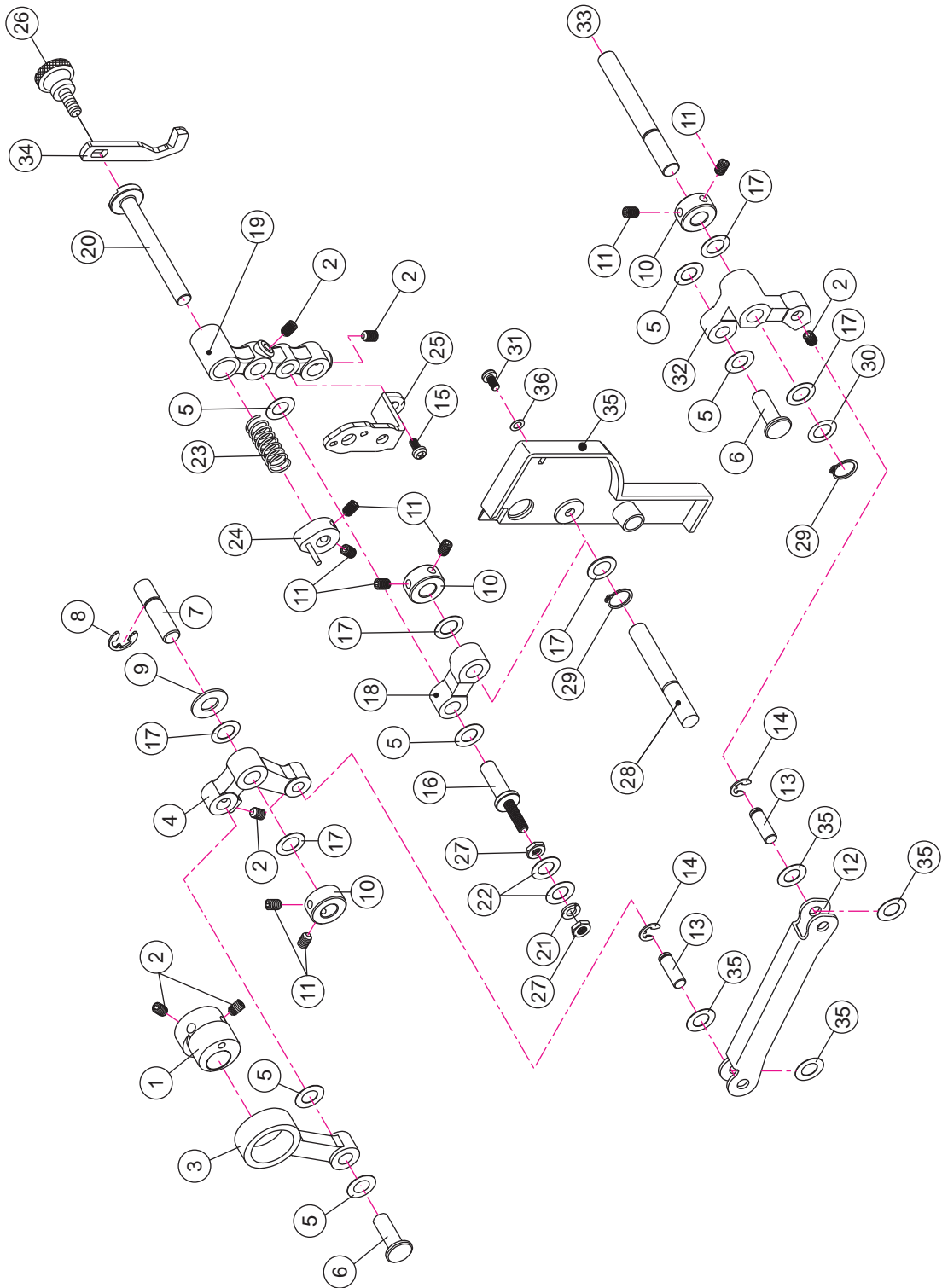
NO.	PART NO.	DESCRIPTION
1	416362401	HANDLE HOLDER
2	416601001	TOP COVER
3	416362601	HANDLE SUPPORTER SET(R)
4	416362701	HANDLE SUPPORTER SET(L)
5	270 M04L08A06	SET SCREW
6	270 M04L10A06	SET SCREW
7	270 M04L10W08	SET SCREW
8	416671501	THREAD GUIDE PLATE
9	416671401	THREAD GUIDE PLATE
10	416377401	SET SCREW
11	270 E04T06A04	E RING



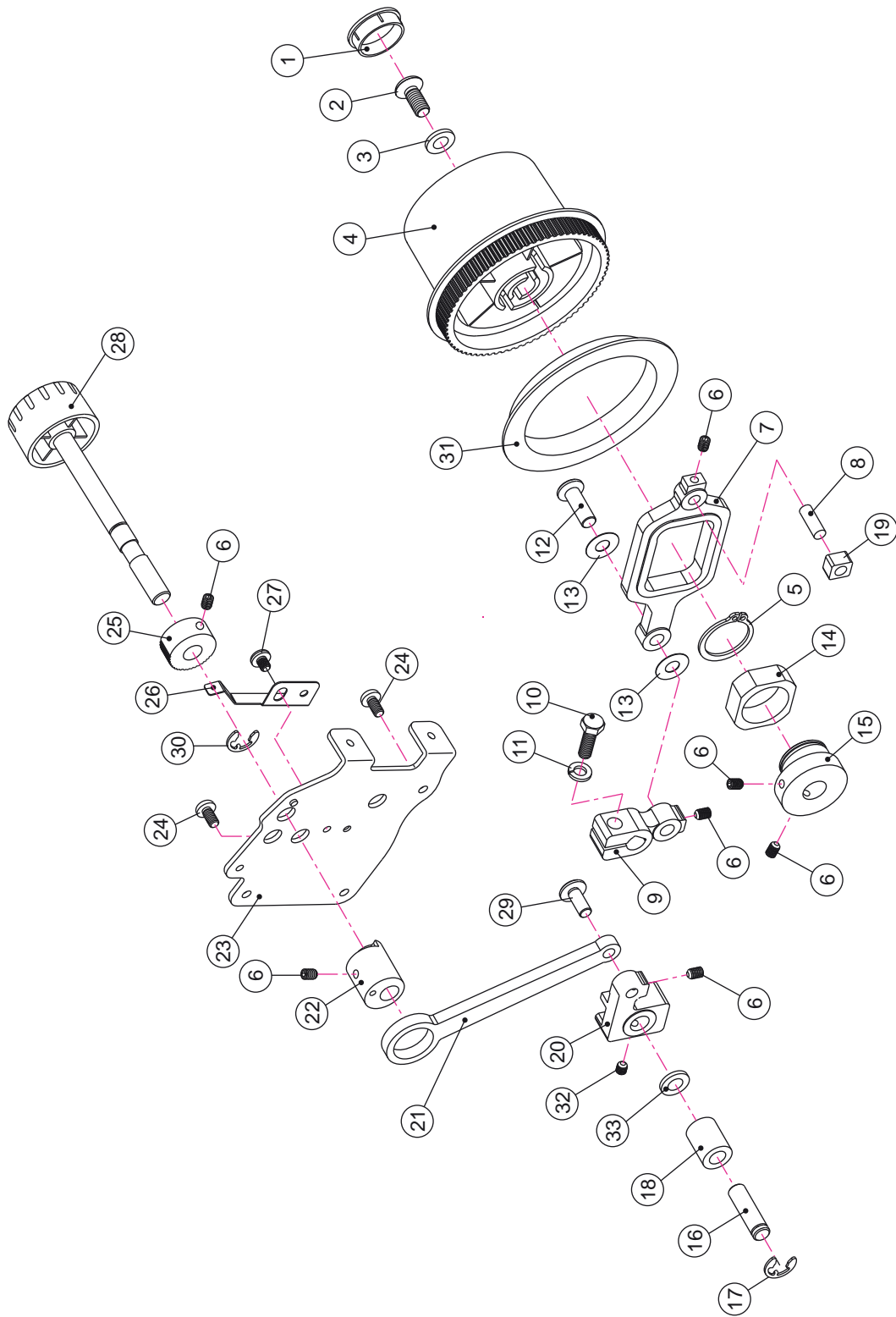
NO.	PART NO.	DESCRIPTION
1	416362901	MAIN SHAFT BUSHING (A)
2	416599801	MAIN SHAFT SET
3	270 W10T15A00	WASHER
4	270 A10951001	SETTING COLLAR
5	416599901	LOOPER CAM (A)
6	416600101	UPPER LOOPER LINK
7	270 A10831000	FEED DOG LINK PIN (B)
8	416600201	BEARING LINK
9	270 A10791000	LOOPER SHAFT LINK PIN
10	270 G1032	LOOPER SHAFT LINK
11	416600301	UPPER LOOPER SHAFT
12	416363001	LOOPER SHAFT BUSHING
13	270 A10961001	SETTING COLLAR
14	270 E06T08A04	E RING
15	416363301	NEEDLE BAR CONNECTING BAR
16	416363401	WASHER
17	416600401	NEEDLE BAR CAM
18	416600501	LOWER LOOPER CAM
19	416600601	LOWER LOOPER LINK
20	416600701	LOWER LOOPER SHAFT
21	416600801	LOOPER SHAFT LINK (B)
22	416363801	FEED DOG CAM
23	416363901	FEED DOG SUPPORTER SLIDE BLOCK
24	416364001	COVER STITCH LOOPER CAM
25	416380901	MAIN SHAFT BUSHING (B)
26	270 W06T11A00	WASHER
27	270 M04L06E01	SET SCREW
28	416377201	SET SCREW
29	270 D04L28A01	SPRING PIN



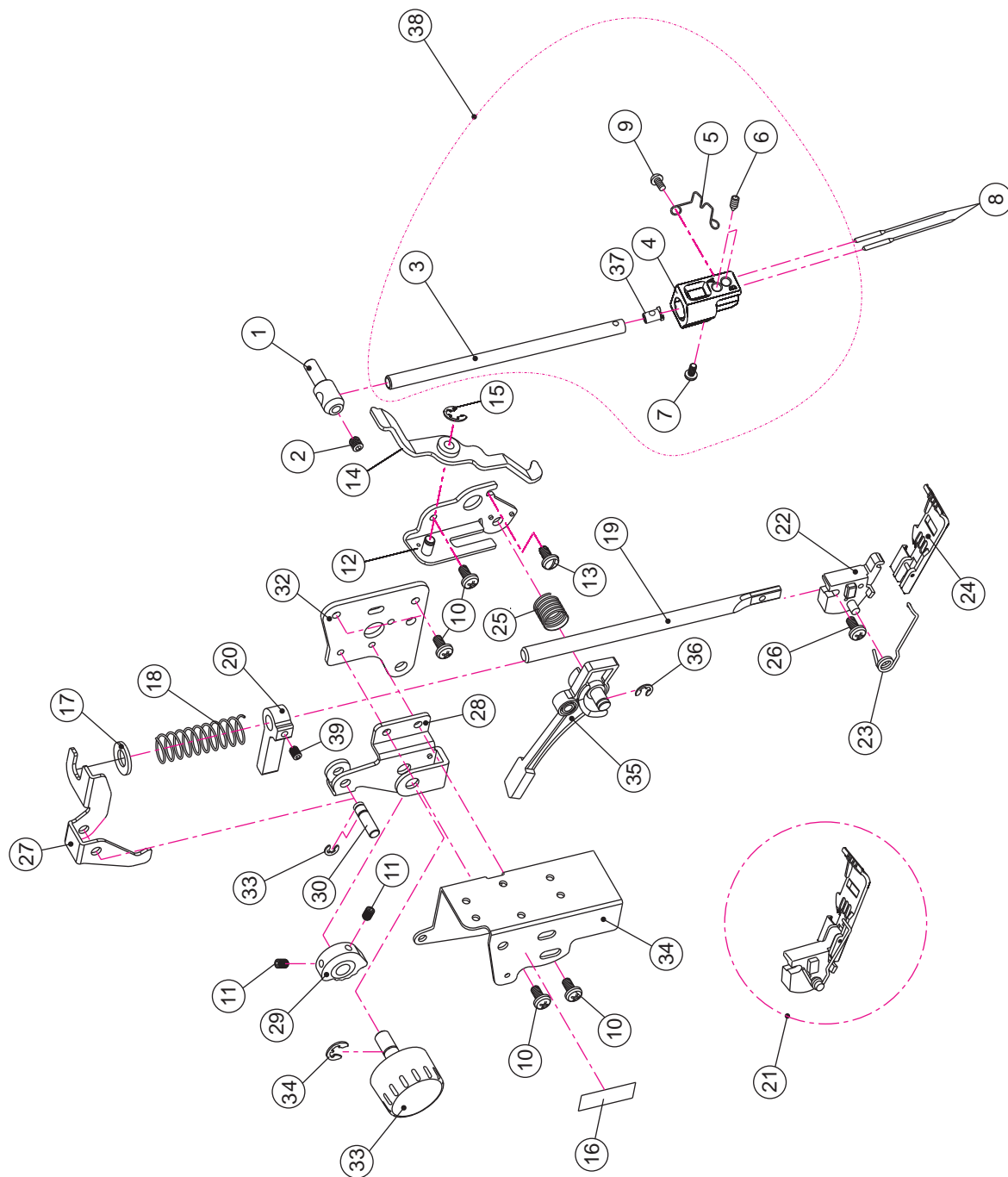
NO.	PART NO.	DESCRIPTION
1	416599201	NEEDLE BAR LINK SHAFT
2	416599301	NEEDLE BAR CRANK (R)
3	270 M04L06E01	SET SCREW
4	416599401	SET SCREW
5	270 A10961001	SETTING COLLAR
6	416377201	SET SCREW
7	416363001	LOOPER SHAFT BUSHING
8	416599601	NEEDLE BAR CRANK (L)
9	416599701	LOOPER SHAFT BUSHING
10	270 W06T11A00	WASHER
11	270 G1089	NEEDLE BAR CONNECTING ARM
12	270 A10831000	FEED DRIVE LINK PIN (B)
13	416377801	NEEDLE BAR THREAD TAKE-UP LEVER
14	416377601	SET SCREW
15	270 W04S13A06	WASHER



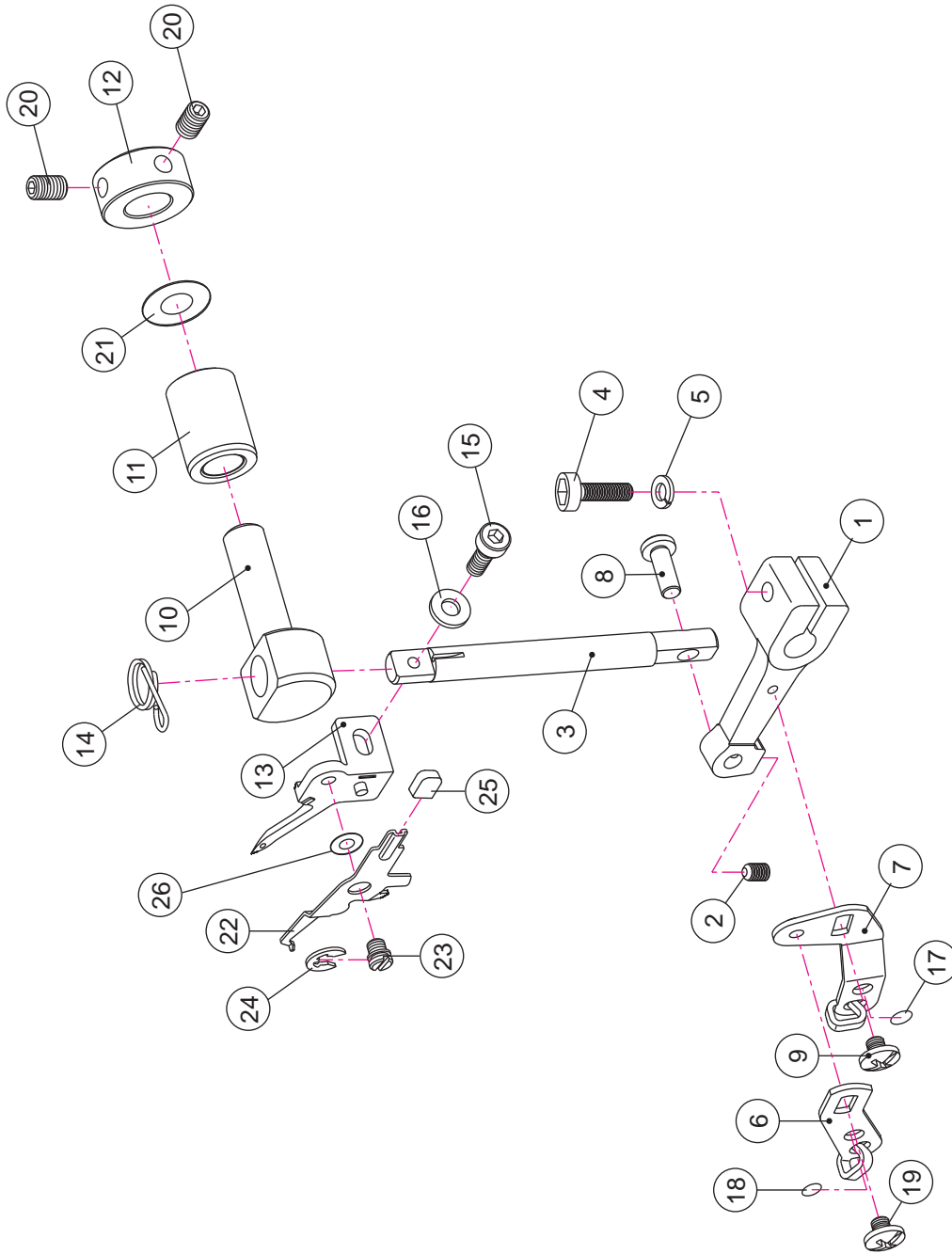
NO.	PART NO.	DESCRIPTION
1	270 G1084	UPPER CUTTER CAM
2	270 M04L06E01	SET SCREW
3	270 G1081	UPPER CUTTER SHAKE LINK
4	270 G1082	UPPER CUTTER SHAKE ARM
5	270 W06T11A00	WASHER
6	270 A10831000	FEED DRIVE LINK PIN (B)
7	270 G1225	UPPER CUTTER SHAKE ARM SHAFT
8	270 E06T08A04	E RING
9	270 W07F15A06	WASHER
10	270 A10941001	SETTING COLLAR
11	416377201	SET SCREW
12	270 G1083	UPPER CUTTER LINK
13	270 G1236	UPPER CUTTER LINK PIN
14	270 E04T06A04	E RING
15	270 M04L08A06	SET SCREW
16	270 G1143	UPPER CUTTER ARM SHAFT
17	270 W07T12A00	WASHER
18	270 G1073	UPPER CUTTER ARM SUPPORT BAR
19	270 G1074	UPPER CUTTER ARM
20	270 G2035	UPPER CUTTER HOLDER
21	270 W04S13A06	SPRING WASHER
22	270 W04F10A06	WASHER
23	416364301	UPPER CUTTER SPRING
24	416364401	UPPER CUTTER SETTING COLLAR
25	270 G1142	UPPER CUTTER HOLDER SUPPORT
26	270 G1206	SET SCREW
27	270 M04H30A03	NUT
28	270 G1133	UPPER CUTTER ARM SUPPORT BAR SHAFT
29	270 C07T08A01	C RING
30	270 W07F12A01	WASHER
31	416377601	SET SCREW
32	270 G1078	UPPER CUTTER ARM DRIVE ARM
33	270 G1146	UPPER CUTTER SHAKE ARM SHAFT
34	416364601	UPPER CUTTER
35	416381001	UPPER CUTTER SET COVER
36	270 W03F07A06	WASHER
37	416671701	FEED DOG SUPPORTER



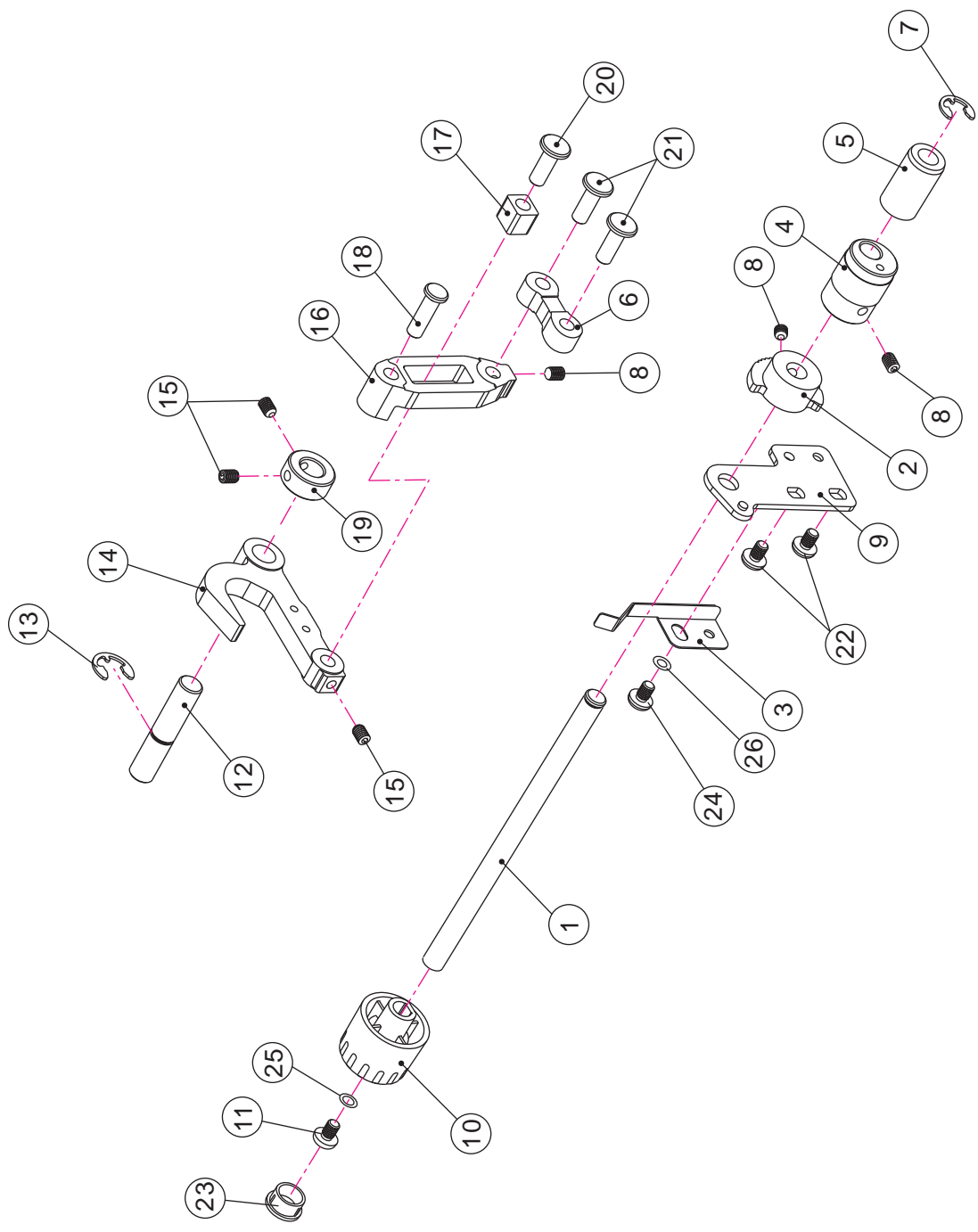
NO.	PART NO.	DESCRIPTION
1	416364801	HANDWHEEL CAP
2	270 M06L12I06	SET SCREW
3	270 W06F19A06	WASHER
4	416367201	HAND WHEEL
5	270 C20T12A01	C RING
6	270 M04L06E01	SET SCREW
7	416365001	FEED DRIVE LINK
8	416365101	FEED DRIVE LINK PIN (A)
9	270 G1159	FEED LINK
10	270 M05L15M02	SET SCREW
11	270 W05S13A06	SPRING WASHER
12	270 A10831000	FEED DRIVE LINK PIN (B)
13	270 W06T11A00	WASHER
14	416365201	FEED CAM SLIDE BLOCK
15	416365301	FEED CAM
16	270 A10861001	FEED REGULATE HOLDER SHAFT
17	270 E05T06A04	E RING
18	270 A10411000	FEED REGULATE HOLDER BUSHING
19	416365401	FEED SLIDE BLOCK
20	416365501	FEED SLIDE HOLDER
21	270 A10121000	FEED REGULATE LINK
22	270 G1090	FEED REGULATE CAM
23	416599101	FEED REGULATE HOLDER
24	270 M04L08A06	SET SCREW
25	270 G1268	LOCATING COLLAR
26	270 G1257	LOCATING SPRING
27	416390601	SET SCREW
28	416599001	STITCH LENGTH DIAL
29	270 A10741000	FEED REGULATE LINK PIN
30	270 E06T08A04	E RING
31	416377901	HAND WHEEL SETTING COLLAR
32	416377201	SET SCREW
33	270 W07T12A00	WASHER



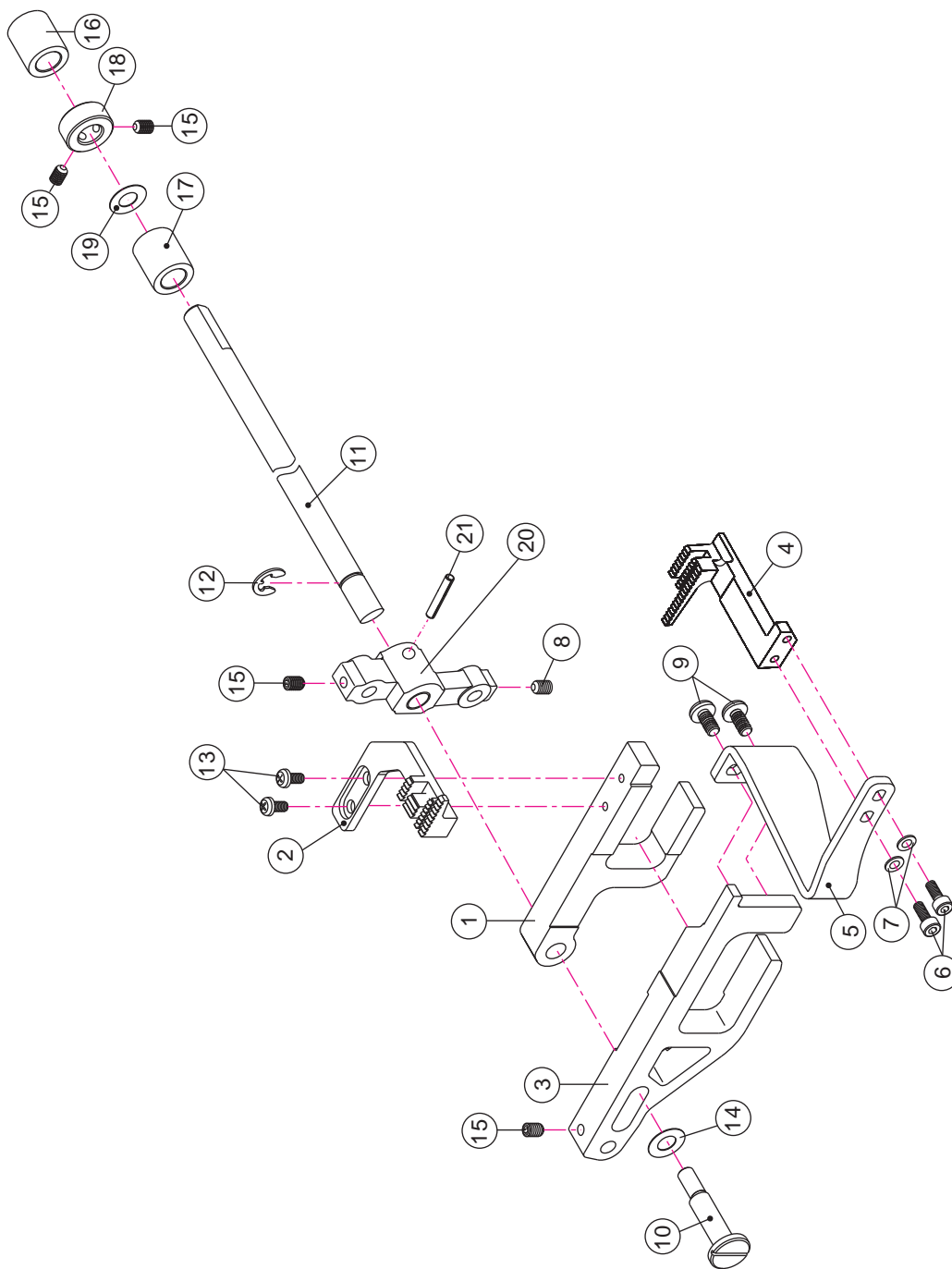
NO.	PART NO.	DESCRIPTION
1	270 G1088	NEEDLE BAR SETTING LINK
2	270 M05L06E01	SET SCREW
3	416365601	NEEDLE BAR
4	270 E10102	NEEDLE CLAMP COMPLETE SET
5	270 A11101000	NEEDLE CLAMP THREAD GUIDE
6	416391401	SET SCREW
7	270 M03L06A04	SET SCREW
8		NEEDLE
9	270 M02L04I04	SET SCREW
10	270 M04L08A06	SET SCREW
11	270 M04L06E01	SET SCREW
12	416367701	PRESSER FOOT LIFTER HOLDER
13	416427301	SET SCREW
14	416367801	RELEASE PLATE
15	270 E03T06A04	E RING
16		BULB LABEL
17	270 W07F15A06	WASHER
18	416366201	PRESSER BAR SPRING
19	416366301	PRESSER BAR
20	416366401	PRESSER BAR SETTING LINK
21	416390801	PRESSER FOOT COMPLETE SET (NO.22.23.24 INCLUDED)
22	416366501	PRESSER FOOT HOLDER
23	270 G1022	PRESSER FOOT SPRING
24	416472701	PRESSER FOOT
25	416366701	PRESSER FOOT LIFTER SPRING
26	416367301	SET SCREW
27	416367401	NEEDLE BAR LOCATE BOARD
28	270 G1186	NEEDLE BAR LOCATE SUPPORT
29	270 G1187	NEEDLE BAR LOCATE CAM
30	270 G1188	NEEDLE BAR LOCATE PIN
31	416367501	PRESSER BAR DIAL
32	270 G2015	SUPPORT SETTING BOARD
33	270 E04T06A04	E RING
34	270 G1191	BULB HOLDER
35	416367601	PRESSER FOOT LIFTER
36	270 E05T06A04	E RING
37	416673101	NEEDLE CLAMP NUT
38	416672001	NEEDLE CLAMP COMPLETE SET (NO.3.4.5.6.7.9.37 INCLUDED)
39	416377201	SET SCREW
40	416672101	NEEDLE CLAMP COMPLETE SET (NO.3.4.5.6.7.8.9.37 INCLUDED)



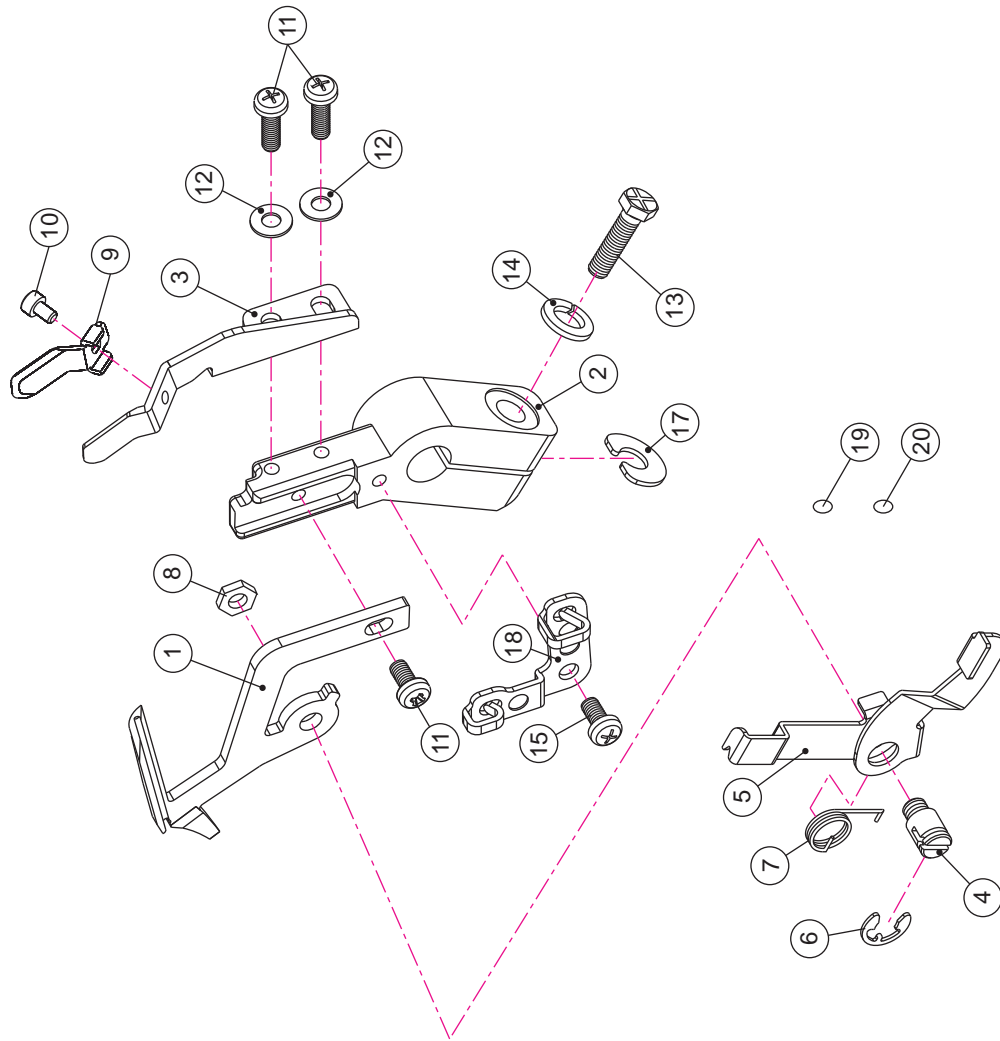
NO.	PART NO.	DESCRIPTION
1	416598701	UPPER LOOPER CONNECTING ARM
2	270 M04L06E01	SET SCREW
3	416473001	SLIDE SHAFT
4	416598601	SET SCREW
5	270 W04S13A06	SPRING WASHER
6	416369001	UPPER LOOPER THREAD TAKE-UP LEVER
7	416368901	LOWER LOOPER THREAD TAKE-UP LEVER
8	270 G1296	SLIDE SHAFT PIN
9	416377601	SET SCREW
10	270 G1085	SLIDE SHAFT HOLDER
11	416368301	SLIDE SHAFT HOLDER BUSHING
12	270 A10941001	SETTING COLLAR
13	416367901	UPPER LOOPER
14	416368201	UPPER LOOPER THREADING GUIDE
15	416368501	SET SCREW
16	416368401	WASHER
17	416598201	COLOR STICKER (YELLOW)
18	416598301	COLOR STICKER (RED)
19	270 M03L03A03	SET SCREW
20	416377201	SET SCREW
21	270 W07T12A00	WASHER
22	416368001	TWO THREAD CONVERTER
23	416368101	TWO THREAD CONVERTER SHAFT
24	270 E03T06A04	E RING
25	270 B10141567	STITCH FINGER LEVER COVER
26	270 W03F07A06	WASHER



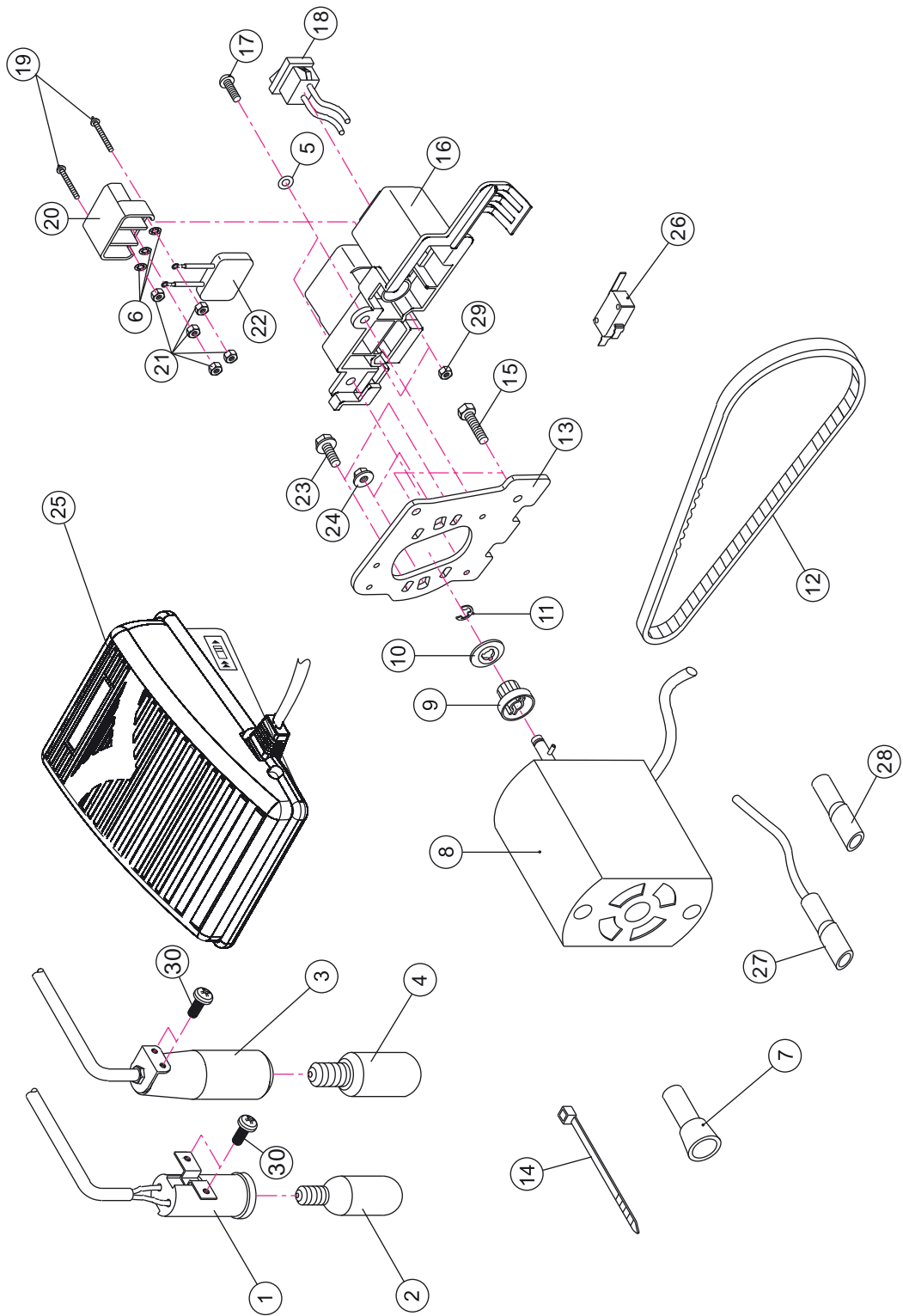
NO.	PART NO.	DESCRIPTION
1	416598501	D.F. SHAFT
2	270 G1256	D.F. LOCATING COLLAR
3	270 G1257	D.F. DIAL LOCATING SPRING
4	270 G1052	D.F. REGULATE CAM
5	270 A40101000	D.F. DIAL BUSHING
6	270 G1047	D.F. LINK BAR
7	270 E05T06A04	E RING
8	270 M04L06E01	SET SCREW
9	270 G1164	D.F. DIAL SUPPORT
10	416369301	D.F. ADJUSTING DIAL
11	416377601	SET SCREW
12	270 G1054	D.F. REGULATE SHAFT
13	270 E06T08A04	E RING
14	416673201	D.F. REGULATE SUPPORT
15	416377201	SET SCREW
16	416369501	D.F. SLIDE SUPPORT
17	416369601	D.F. SLIDE BLOCK
18	270 G1055	FEED DOG HOLDER PIN
19	270 A10961001	SETTING COLLAR
20	270 A10791000	D.F. SLIDE BLOCK PIN
21	270 G1050	D.F. LINK PIN
22	270 M04L08A06	SET SCREW
23	416360901	SCREW CAP
24	416390601	SET SCREW
25	270 W08T12A00	WASHER
26	270 W03F07A06	WASHER
27	270 W04F10A06	WASHER



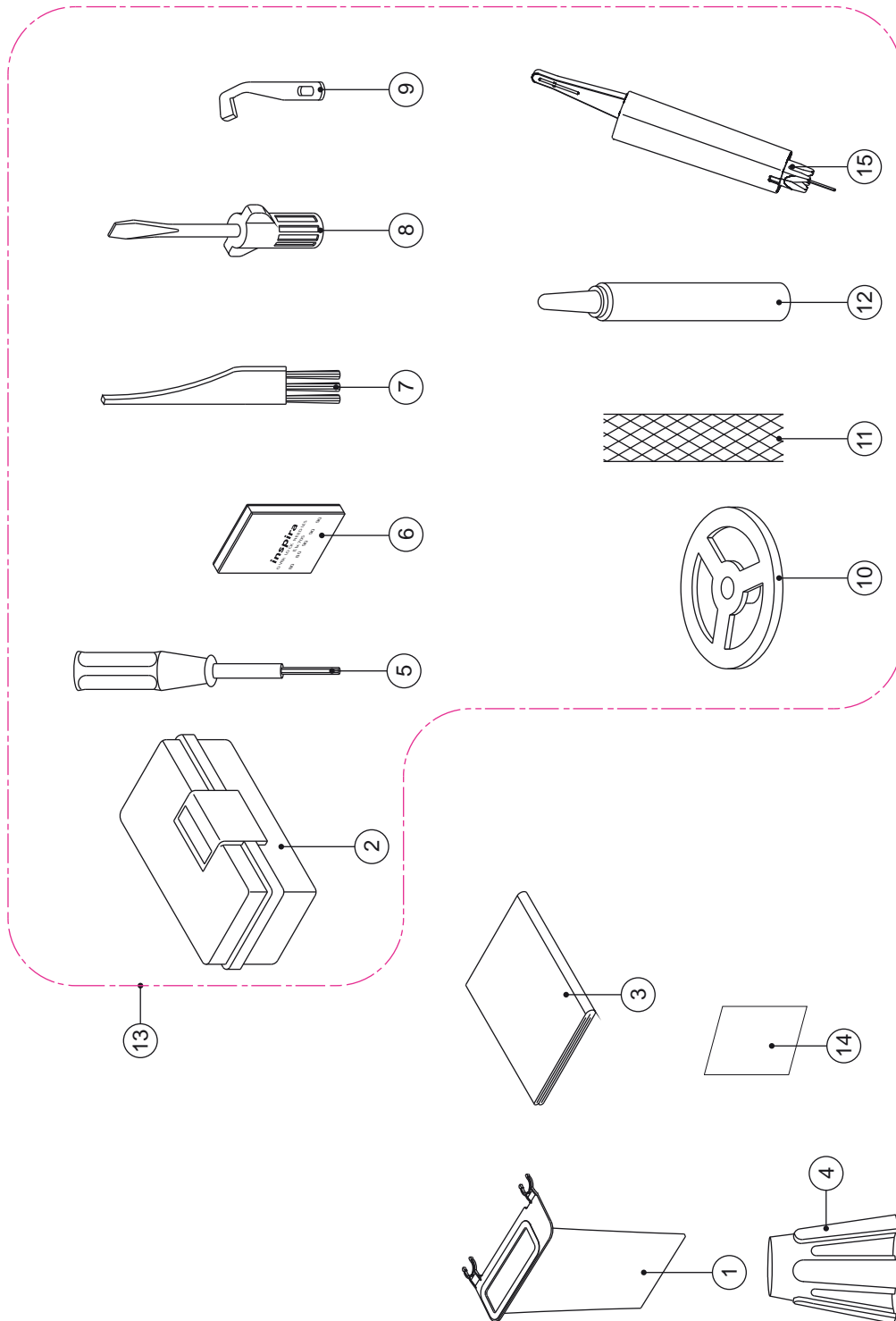
NO.	PART NO.	DESCRIPTION
1	270 G1044	FEED DOG HOLDER (REAR)
2	416369901	FEED DOG (REAR)
3	270 G1049	FEED DOG HOLDER (FRONT)
4	416672201	FEED DOG (FRONT)
5	416370001	FEED DOG SUPPORTER (FRONT)
6	416368501	SET SCREW
7	416368401	WASHER
8	270 M04L06E01	SET SCREW
9	416370101	SET SCREW
10	270 G1056	FEED DOG HOLDER PIN
11	416598401	FEED DOG SHAKING ROD COMPLETE SET
12	270 E07T08A04	E RING
13	416369701	SET SCREW
14	270 W06T13A00	WASHER
15	416377201	SET SCREW
16	416363001	LOOPER SHAFT BUSHING
17	416390701	LOOPER SHAFT BUSHING
18	270 A10961001	SETTING COLLAR
19	270 W08T12A00	WASHER
20	416673301	FEED DOG SHAKING
21	416673401	SPRING PIN



NO.	PART NO.	DESCRIPTION
1	416370201	LOWER LOOPER
2	270 G1151	LOWER LOOPER SUPPORTER
3	416672701	LOWER LOOPER PROTECT BOARD
4	416370501	AUTO THREADER SHAFT
5	416370601	AUTO THREADER
6	270 E04T06A04	E RING
7	416370701	AUTO THREADER SPRING
8	416370801	NUT
9	416672801	LOWER LOOPER PROTECT BOARD
10	416672601	SET SCREW
11	416369701	SET SCREW
12	270 W03F07A06	WASHER
13	270 M05L18M02	SET SCREW
14	270 W05S13A06	SPRING WASHER
15	416377601	SET SCREW
16	416370301	LOWER LOOPER SUPPORTER SET (NO.2.11.12 INCLUDED)
17	270 G1287	WASHER
18	416371001	LOWER LOOPER THREAD GUIDE
19	416598201	COLOR STICKER (YELLOW)
20	416598301	COLOR STICKER (RED)
21	416370901	AUTO THREADER COMPLETE SET (NO.4.5.6.7 INCLUDED)



NO.	PART NO.	DESCRIPTION
1	270 EE0132000	LIGHTING SET (100V)
1	270 EE0142000	LIGHTING SET (120V)
2	416299801	BULB (100V)
2	416299901	BULB (120V)
3	270 EE0152000	LIGHTING SET (240V) (AVAILABLE FOR 220V/230V/240V)
4	416300001	BULB (240V)(AVAILABLE FOR 220V/230V/240V)
5	270 W04F10A06	WASHER
6	416598201	WASHER
7	416300101	C4 END TERMINAL
8	270 3M803A404	MOTOR (100V)
8	416371701	MOTOR (120V)
8	416371801	MOTOR (220V~240V)
9	416302101	TIMING BELT PULLEY
10	416298701	TIMING BELT PULLEY COVER
11	270 E04T06A04	E RING
12	416372101	TIMING BELT
13	416597901	MOTOR SUPPORTER
14	270 EE0112004	CORD CLIP
15	270 M05L15M02	SET SCREW
16	416372201	SWITCH SUPPORTER
17	270 M04L10A06	SET SCREW
18	416372301	POWER LIGHT SWITCH
19	416597801	SET SCREW
20	416372401	MACHINE SOCKET
21	416597701	NUT
22	416372501	CONDENSER (220V~240V)
23	416597601	SET SCREW
24	416597201	NUT
25	416372601	FOOT CONTROLLER (230V) EUROPE
25	416372702	FOOT CONTROLLER (240V) AUSTRALIA & NEW ZEALAND
25	416372801	FOOT CONTROLLER (240V) ENGLAND
25	416372901	FOOT CONTROLLER (120V) U.S.A.
26	416373001	MICRO SWITCH
27	270 EE0501000	TERMINAL W/TRANSPARENT INSULATION TUBE
28	270 EE0511184	TERMINAL W/UN-TRANSPARENT INSULATION TUBE
29	416597001	NUT
30	416377601	SET SCREW



PFAFF hobbylock 2.5

NO.	PART NO.	DESCRIPTION
1	416383301	WASTE CATCHER
2	416383401	ACCESSORY BOX
3	416383701	DUST COVER
4	416360701	SPOOL HOLDER
5	416596901	ALLEN SCREW DRIVER
6		INSPIRA NEEDLE BOX SET (2X#80, 3X#90)
7	416298601	CLEANING BRUSH
8	270 A1F011211	SCREW DRIVER
9	416364601	UPPER CUTTER
10	416383801	THREAD UNWINDING SPOOL CAPS
11	416383901	THREAD SPILL NETS
12	N/A	OILER
13	416596601	ACCESSORY BOX SET (NO.2.5.6.7.8.9.10.11.12.15 INCLUDED)
14	416596501	BAG
15	416384101	NEEDLE THREADER