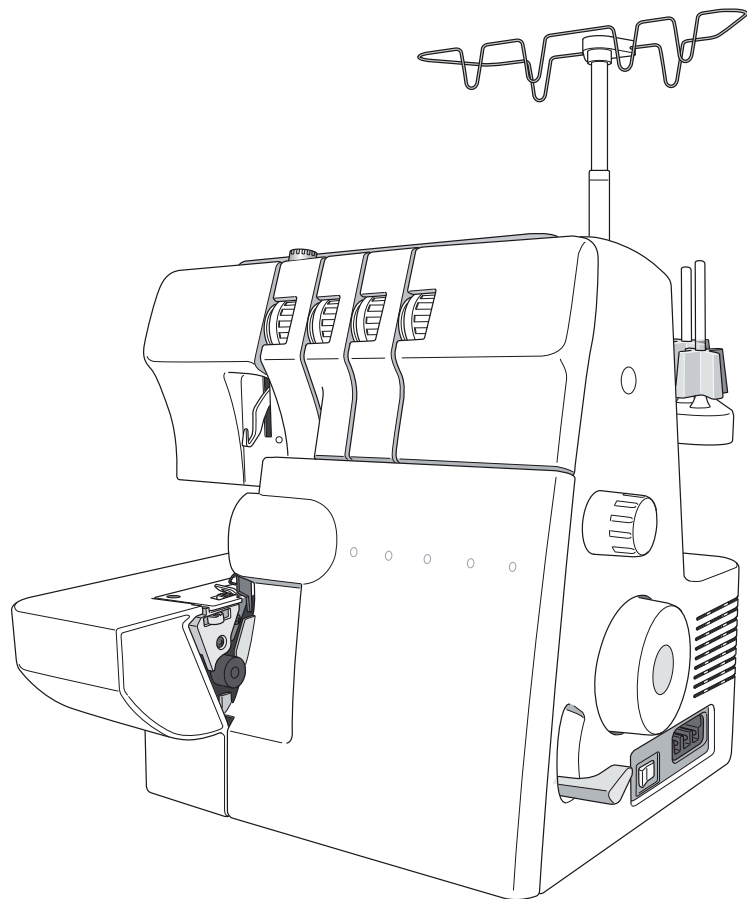


# PFAFF®

## Hobbylock 2.0

### Parts list







Please note that on disposal, this product must be safely recycled in accordance with relevant National legislation relating to electrical/electronic products. If in doubt please contact your retailer for guidance.



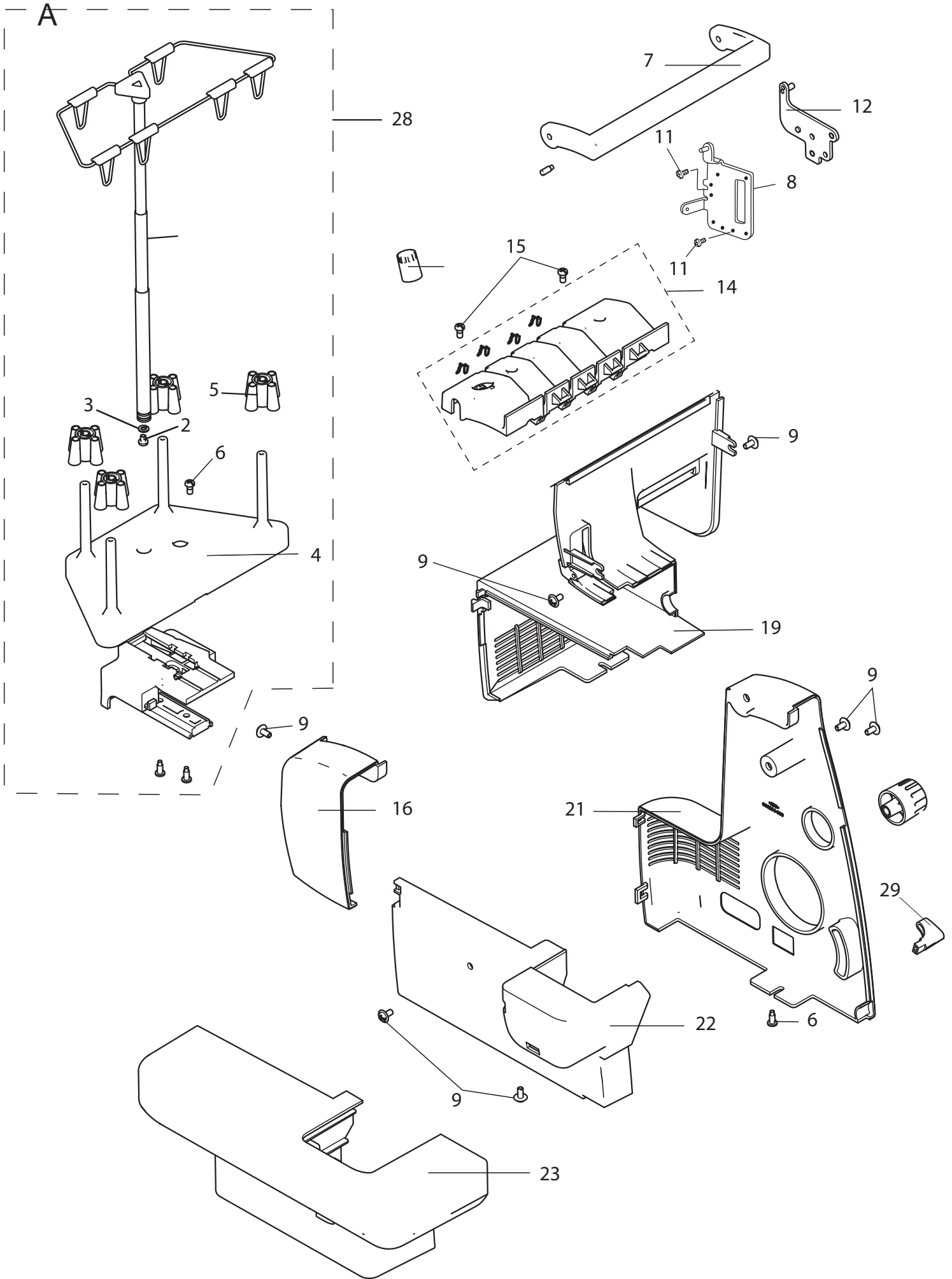
Bitte beachten Sie, dass hinsichtlich der Entsorgung dieses Produkts, vorschriftsmäßig entsprechend der gültigen nationalen Gesetzgebung für elektrische/elektronische Produkte, recycelt werden muss. Bei Zweifel setzen Sie sich bitte mit Ihrem Fachhändler in Verbindung.



Veuillez noter qu'en cas de destruction, ce produit doit bénéficier d'un recyclage sécurisé, conforme à la législation nationale applicable aux produits électriques/électroniques. En cas de doute, veuillez contacter votre distributeur agréé.

- All casted parts within our products are marked with name of material if allowed by size.
- All molded plastic parts within our products are marked with name of material if allowed by size.
- Innerhalb unserer Produktion werden alle gegossenen Teile mit dem Materialnamen bezeichnet, wenn es deren Größe erlaubt.
- Innerhalb unserer Produktion werden alle geformten Teile mit dem Materialnamen bezeichnet, wenn es deren Größe erlaubt.
- Toutes les pièces moulées (en métal) de nos produits sont marquées du nom du matériau utilisé, quand la taille de la pièce le permet.
- Toutes les pièces moulées (en plastique) de nos produits sont marquées du nom du matériau utilisé, quand la taille de la pièce le permet.

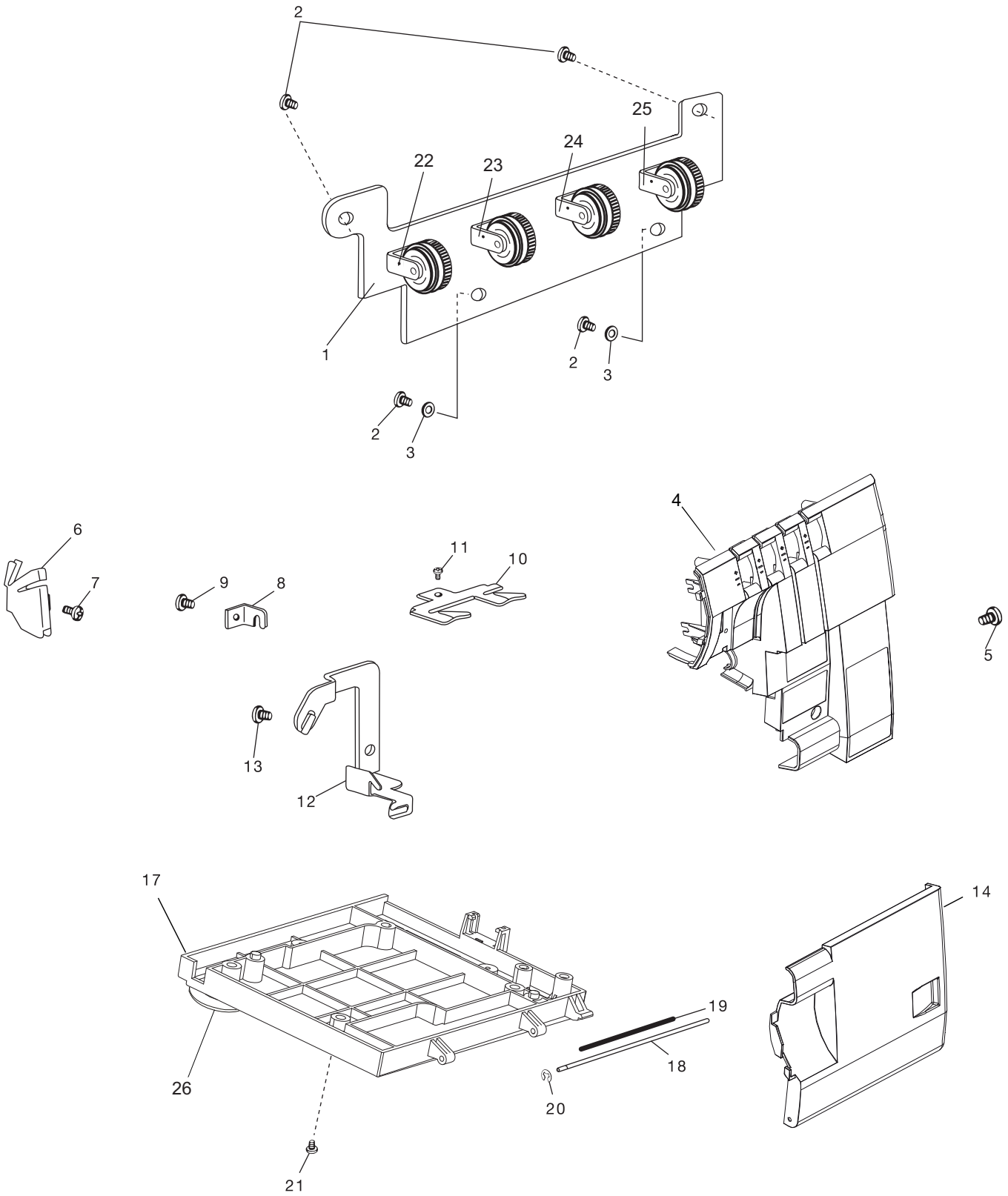
A



---

1	See POS 28	THREAD UNWINDER THREAD GUIDE ROD COMP.
2	416324201	THREAD UNWINDER THREAD GUIDE ROD SCREW
3	416322901	THREAD UNWINDER THREAD GUIDE ROD SCREW WASHER
4	416334501	THREAD UNWINDER
5	416486001	SPOOL HOLDER
6	N/S	THREAD UNWINDER(COMP.)SCREW
7	416330701	HANDLE
8	N/S	HANDLE BRACKET(LEFT)COMP.
9	416324601	SCREW
11	416324101	SCREW
12	N/S	HANDLE BRACKET (RIGHT) COMP.
14	416332501	TOP COVER COMP.
15	416324301	TOP COVER SCREW
16	416333001	LIGHT COVER
19	416332701	REAR COVER
21	416332201	PULLEY COVER
22	416330801	CYLINDER COVER
23	416331501	CLOTH PLATE COMP.
28	416332601	THREAD UNWINDER
29	416332101	DIFFERENTIAL FEED ADJUSTING LEVER KNOB

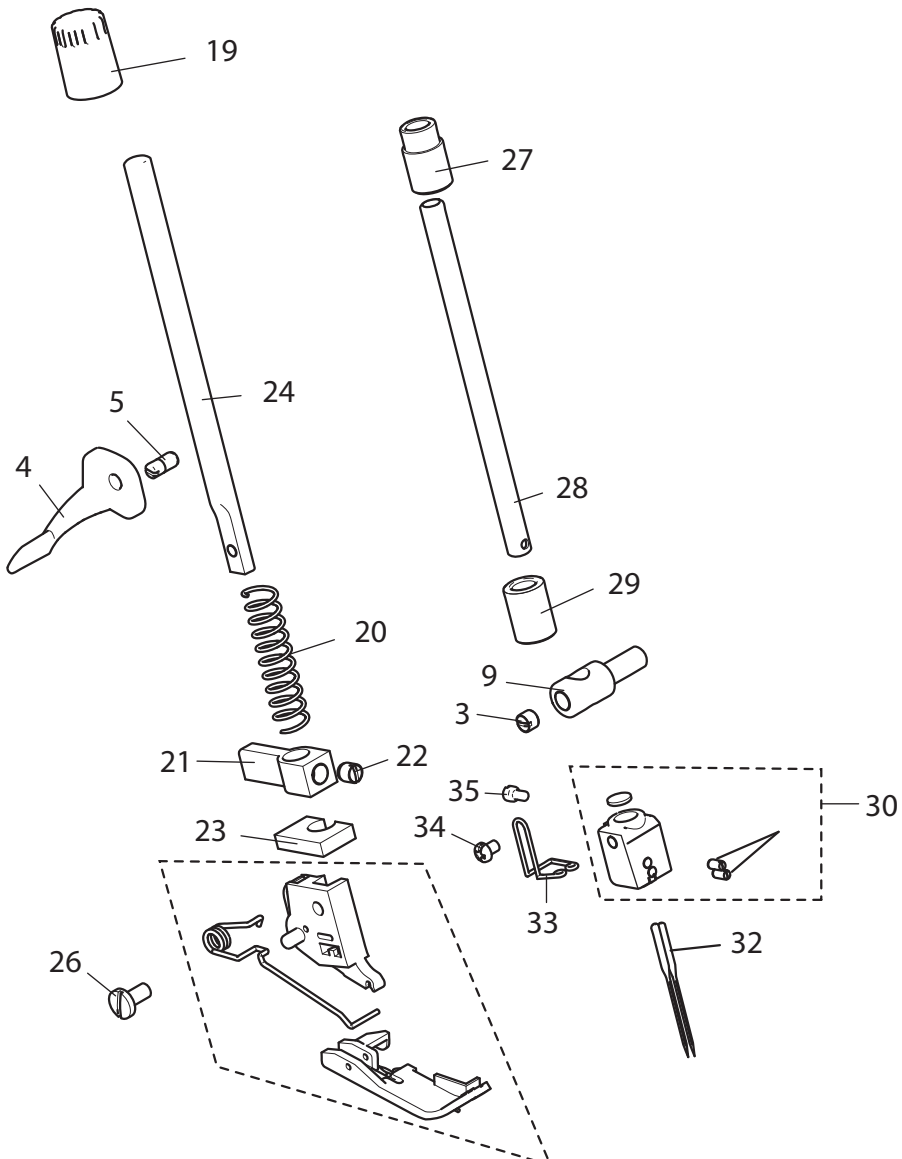
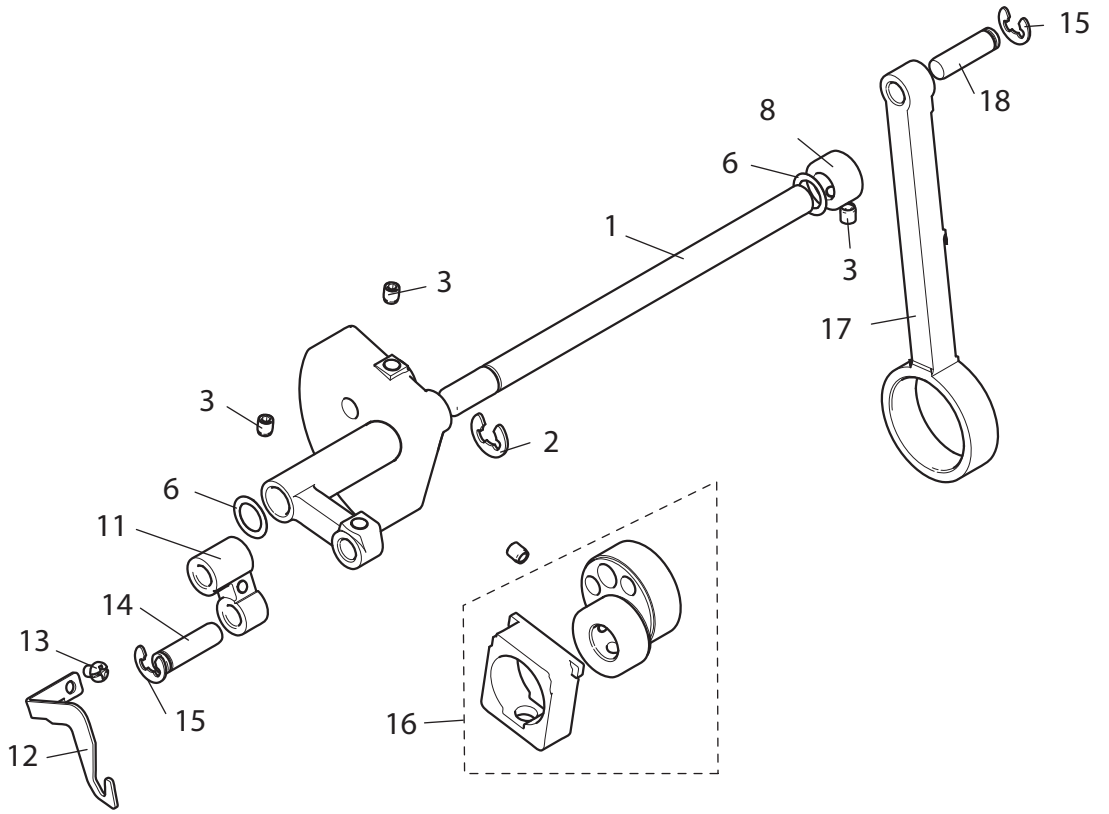
# B



---

1	N/S	ONE TURN TENSION DIAL COMP.
2	N/S	ONE TURN TENSION DIAL COMP. SET SCREW
3	N/S	ONE TURN TENSION DIAL COMP. SET SCREW WASHER
4	416332301	FRONT COVER (GRAPHIC)
5	416324601	FRONT COVER SCREW
6	416319701	FRONT COVER THREAD GUIDE
7	N/S	FRONT COVER THREAD GUIDE BRACKET SCREW
8	416321601	FRONT COVER THREAD GUIDE (SMALL)
9	416322001	FRONT COVER THREAD GUIDE (SMALL) SCREW
10	416576601	FRONT COVER THREAD GUIDE (LOWER)
11	416323701	SCREW
12	416576702	LOOPER THREAD GUIDE
13	416322001	LOOPER THREAD GUIDE SCREW
14	416334701	LOOPER COVER
17	416332401	MACHINE BASE COMP.
18	416333801	LOOPER COVER HINGE PIN
19	416327401	LOOPER COVER HINGE PIN SPRING
20	416322501	LOOPER COVER HINGE PIN RETAINING RING
21	416324501	MACHINE BASE SCREW
22	416331601	ONE TURN TENSION DAIL COMP (Left Needle Thread)
23	416331701	ONE TURN TENSION DAIL COMP (Right Needle Thread)
24	416331901	ONE TURN TENSION DAIL COMP (Right Looper Thread)
25	416331801	ONE TURN TENSION DAIL COMP. (Left Looper Thread)
26	416565501	RUBBER FEET

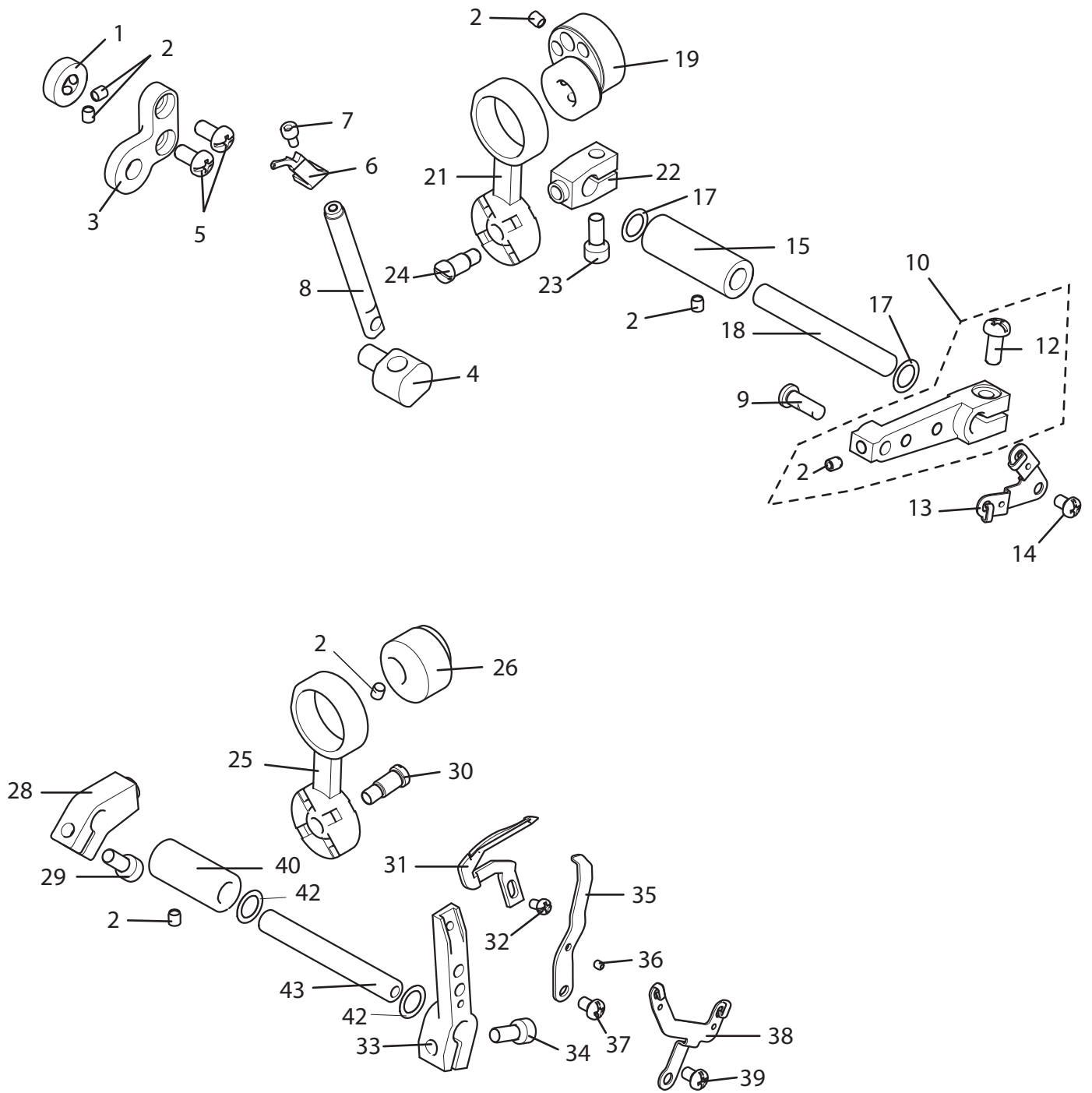
C





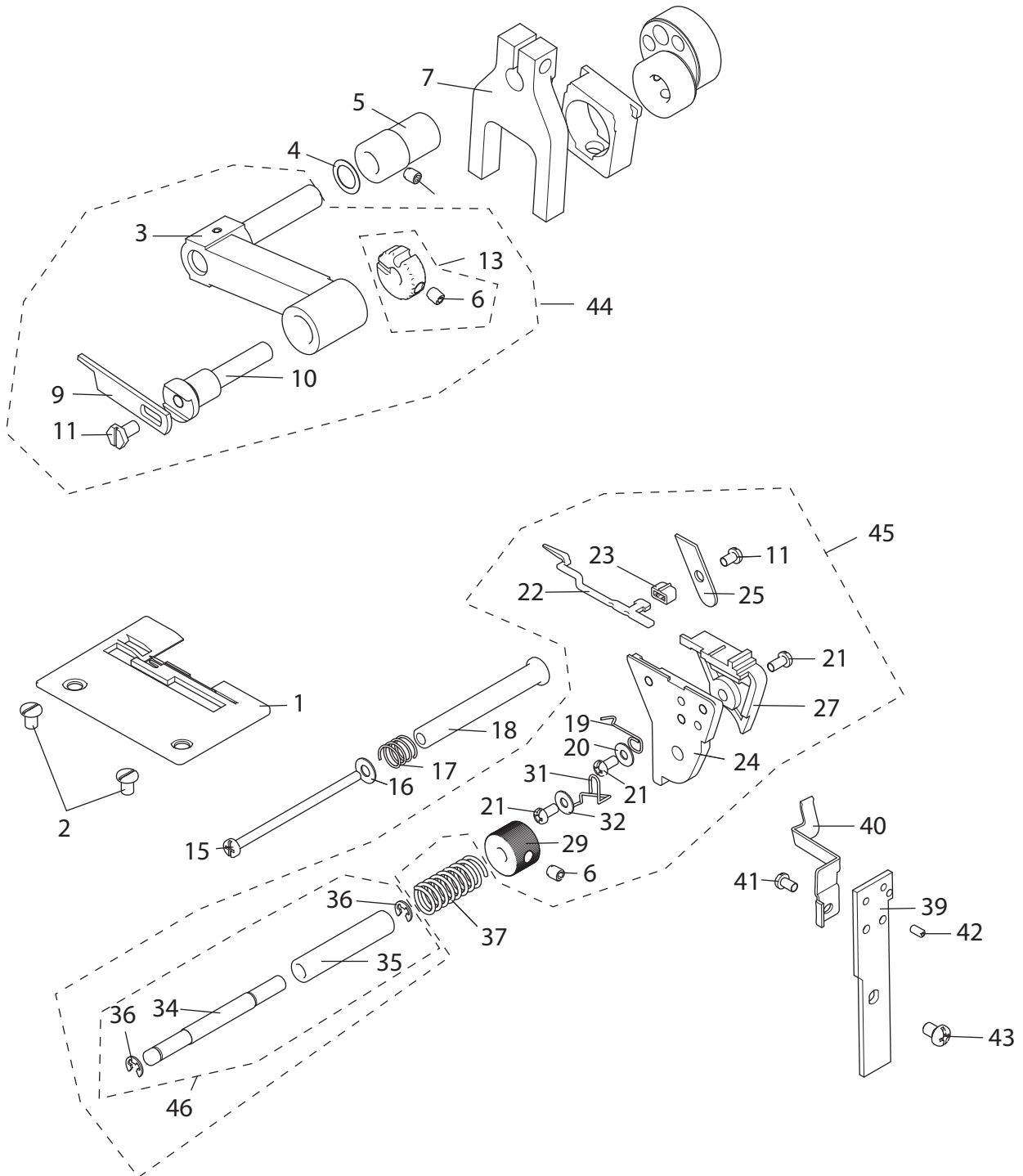
---

1	N/S	ARM SHAFT
2	416322701	ARM SHAFT RETAINING RING
3	416323501	SCREW
4	416331101	PRESSER BAR LIFTER
5	N/S	PRESSER BAR LIFTER SCREW STUD
6	416322301	THRUST WASHER
7	N/S	NEEDLE BAR CRANK
8	N/S	ARM SHAFT COLLAR COMP.
9	416321201	NEEDLE BAR CONNECTING STUD
10	416323301	NEEDLE BAR CONNECTING STUD SCREW
11	N/S	NEEDLE BAR CONNECTING LINK
12	416319801	STRIKER
13	416323801	STRIKER SCREW
14	N/S	NEEDLE BAR CONNECTING LINK PIN
15	416322601	RETAINING RING
16	N/S	NEEDLE BAR ECC. KNIFE (MOVABLE) FORKED LEVER SLIDE BLOCK
17	N/S	NEEDLE BAR CRANK ROD
18	N/S	NEEDLE BAR CONNECTING LINK PIN
19	416328801	PRESSER REGULATING THUMB COMP.
20	416321301	PRESSER BAR SPRING
21	N/S	PRESSER BAR GUIDE BRACKET
22	416323401	PRESSER BAR GUIDE BRACKET SCREW
23	416325001	PRESSER BAR OIL FELT
24	416331201	PRESSER BAR
25	416325201	PRESSER FOOT COMP (SNAP-ON TYPE)
26	416322201	PRESSER FOOT SCREW
27	N/S	NEEDLE BAR BUSHING (UPPER)
28	416320801	NEEDLE BAR
29	N/S	NEEDLE BAR BUSHING (LOWER)
30	416327501	NEEDLE CLAMP (BODY) COMP.(FOR 4 THREAD)
31	416320701	NEEDLE SET SCREW
32	620079596	OVERLOCKNEEDLE ELx705 80, 5-PACK
33	416320901	NEEDLE CLAMP THREAD GUIDE
34	416324001	NEEDLE CLAMP THREAD GUIDE SET SCREW
35	416320401	NEEDLE CLAMP (BODY) SCREW



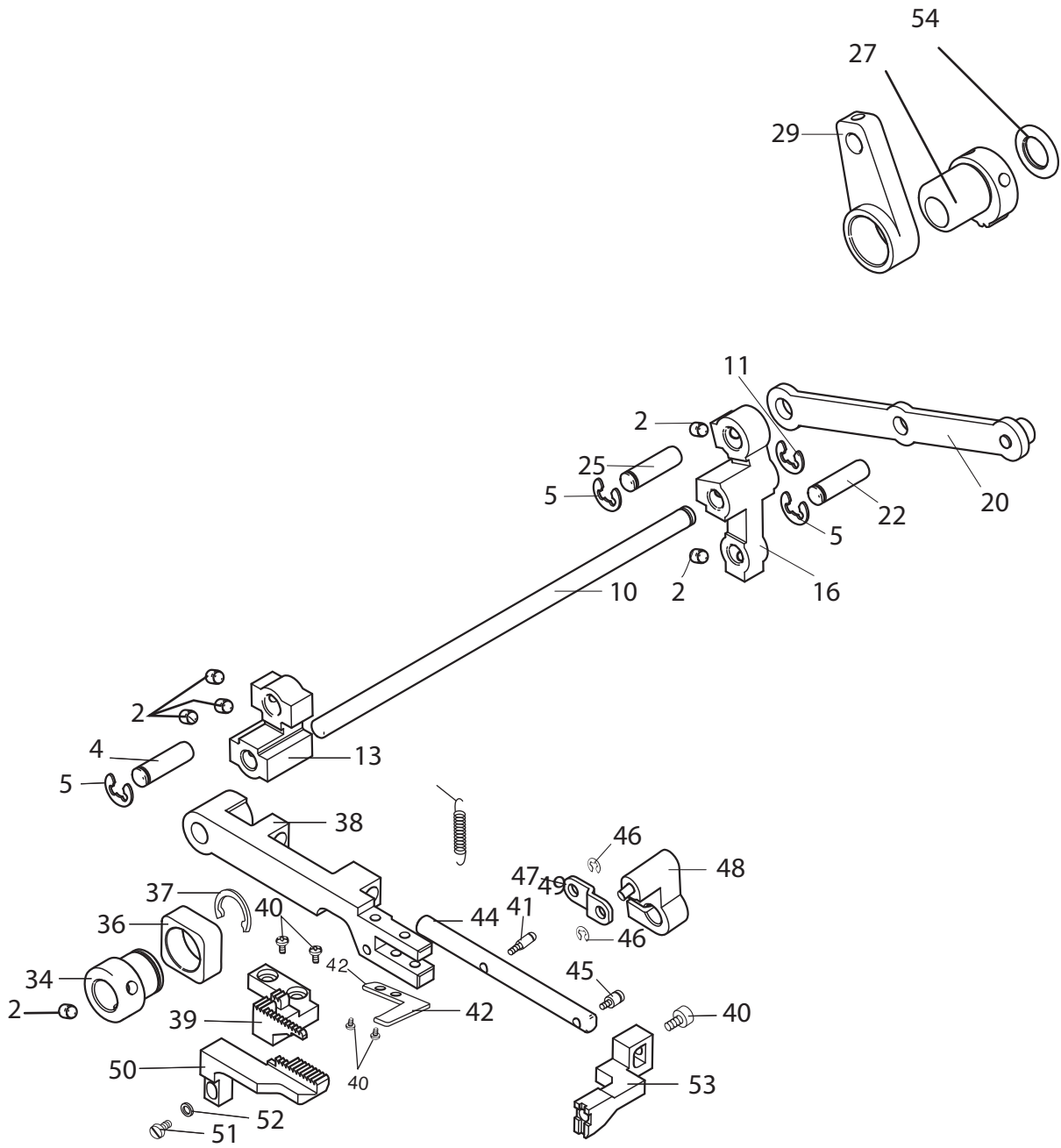
---

1	416325301	RIGHT LOOPER RETAINER GUIDE COLLAR COMP.
2	416323501	RIGHT LOOPER RETAINER GUIDE COLLAR SCREW
3	416321401	RIGHT LOOPER RETAINER GUIDE BRACKET
4	416321401	RIGHT LOOPER RETAINER GUIDE
5	416324401	RIGHT LOOPER RETAINER GUIDE BRACKET SCREW
6	416327101	RIGHT LOOPER
7	416322101	RIGHT LOOPER SCREW
8	416321501	RIGHT LOOPER RETAINER
9	N/S	RIGHT LOOPER RETAINER DRIVING LEVER STUD
10	416327201	RIGHT LOOPER RETAINER DRIVING LEVER COMP.
11	416323501	RIGHT LOOPER RETAINER DRIVING LEVER STUD SCREW
12	N/S	RIGHT LOOPER RETAINER DRIVING LEVER CLAMPING SCREW
13	416329101	RIGHT LOOPER THREAD GUIDE
14	416324101	RIGHT LOOPER THREAD GUIDE SCREW
15	N/S	RIGHT LOOPER SHAFT BUSHING
16	416323501	RIGHT LOOPER SHAFT BUSHING SCREW
17	416322301	RIGHT LOOPER SHAFT BUSHING THRUST WASHER
18	N/S	RIGHT LOOPER SHAFT
19	N/S	RIGHT LOOPER CAM COMP
20	416323501	RIGHT LOOPER CAM SCREW
21	416327601	RIGHT LOOPER CAM ROD COMP.
22	N/S	RIGHT LOOPER SHAFT LEVER COMP.
23	N/S	RIGHT LOOPER SHAFT LEVER CLAMPING SCREW
24	N/S	RIGHT LOOPER CAM ROD END SCREW STUD
25	416327601	LEFT LOOPER CAM ROD COMP.
26	N/S	LEFT LOOPER CAM COMP.
27	416323501	LEFT LOOPER CAM SCREW
28	N/S	LEFT LOOPER SHAFT LEVER COMP.
29	N/S	LEFT LOOPER SHAFT LEVER CLAMPING SCREW
30	N/S	LEFT LOOPER CAM ROD END SCREW STUD
31	416325601	LEFT LOOPER
32	416323901	LEFT LOOPER SCREW
33	416493401	LEFT LOOPER HOLDER
34	N/S	LEFT LOOPER HOLDER CLAMPING SCREW
35	416319501	NEEDLE GUARD (BACK) (FOR OVEREDGE NEEDLE)
36	416320501	NEEDLE GUARD (BACK)(FOR OVEREDGE NEEDLE) ADJUSTING SCREW
37	416324101	NEEDLE GUARD (BACK) (FOR OVEREDGE NEEDLE) SCREW
38	416329201	LEFT LOOPER HOLDER THREAD GUIDE
39	416324101	LEFT LOOPER HOLDER THREAD SCREW
40	N/S	LEFT LOOPER SHAFT BUSHING
41	416323501	LEFT LOOPER SHAFT BUSHING SCREW
42	416322301	RIGHT LOOPER SHAFT BUSHING THRUST WASHER
43	N/S	RIGHT LOOPER SHAFT



---

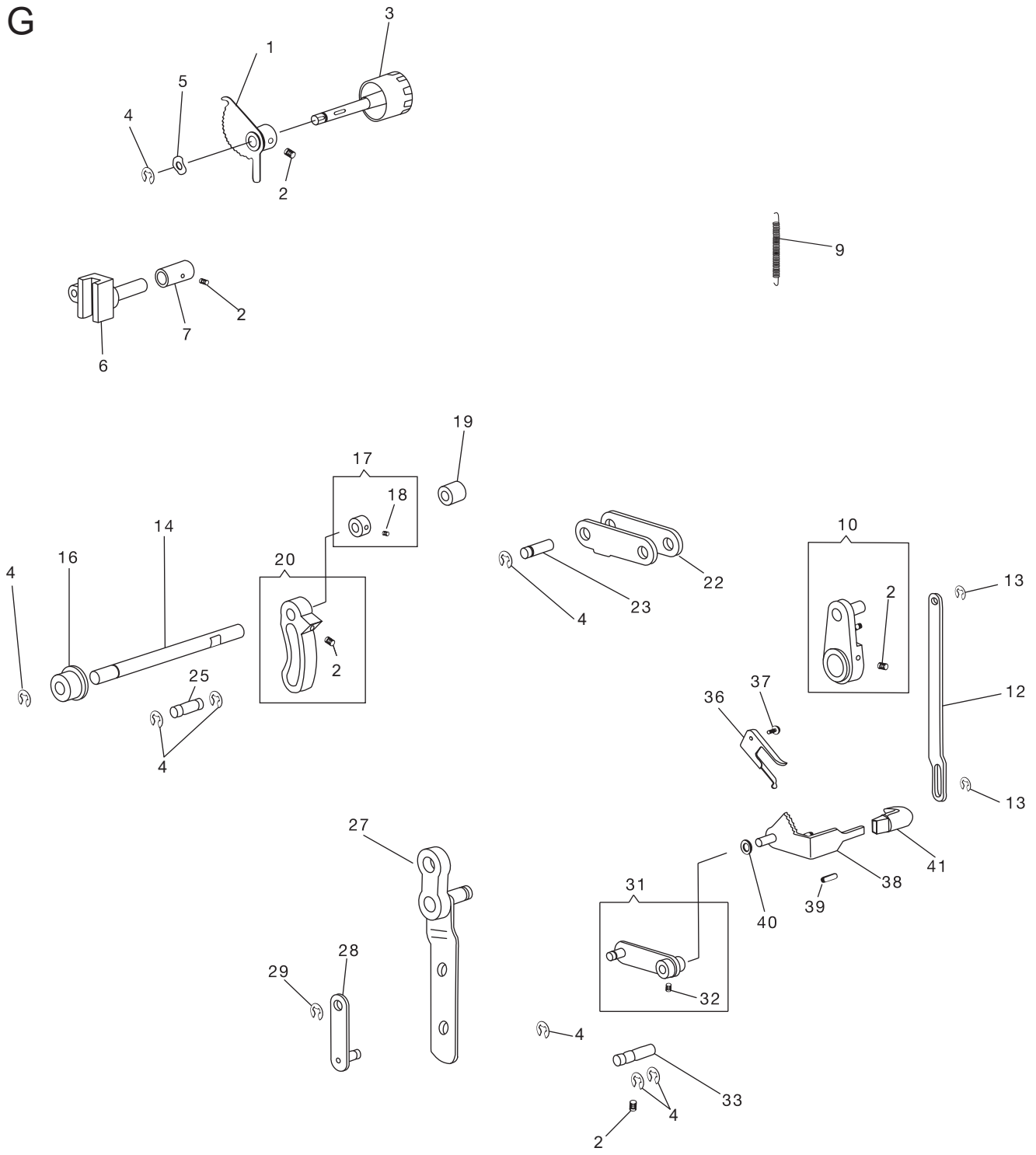
11	416325801	THROATE PLATE
2	416327001	THROATE PLATE POSITION SCREW
3	416676901	KNIFE(MOVABLE) LEVER COMP.
4	416322301	KNIFE(MOVABLE) FORKED LEVER STUD BUSHING THRUST WASHER
5	270 550440	KNIFE(MOVABLE) FORKED LEVER STUD BUSHING
6	416323501	KNIFE(MOVABLE) FORKED LEVER STUD BUSHING SCREW
7	270 550633	KNIFE(MOVABLE) FORKED LEVER COMP.
8	414750004	KNIFE(MOVABLE) FORKED LEVER SCREW
9	416321701	KNIFE(MOVABLE)
10	416321801	KNIFE(MOVABLE) HOLDER
11	416324701	KNIFE(MOVABLE) SCREW
12	416670501	KNIFE(MOVABLE) HOLDER SPRING
13	270 550581	KNIFE(MOVABLE) HOLDER COLLAR COMP.
14	416323501	KNIFE(MOVABLE) HOLDER COLLAR SCREW
15	270 414744003	KNIFE(STATIONARY) HOLDER STUD SCREW
16	270 541217	KNIFE(STATIONARY) HOLDER STUD SCREW WASHER
17	270 412774	KNIFE(STATIONARY) HOLDER STUD SPRING
18	270 550457	KNIFE(STATIONARY) HOLDER STUD
19	416326101	SEAM WIDTH FINGER SPRING
20	270 543803002	SEAM WIDTH FINGER SPRING WASHER
21	416323701	SEAM WIDTH FINGER SPRING SCREW
22	416326001	SEAM WIDTH FINGER
23	416677001	SEAM WIDTH FINGER KNOB
24	270 55044	KNIFE(STATIONARY) HOLDER
25	416325901	KNIFE(STATIONARY)
26	416323801	KNIFE(STATIONARY) SCREW
27	416677101	SEAM WIDTH FINGER SUPPORT PLATE
28	416323701	SEAM WIDTH FINGER SUPPORT PLATE SCREW
29	416677201	SEAM WIDTH CONTROL DIAL COMP.
30	416323501	SEAM WIDTH CONTROL DIAL SCREW
31	270 550602	SEAM WIDTH CONTROL DIAL SPRING
32	270 543803002	SEAM WIDTH CONTROL DIAL SPRING WASHER
33	416323701	SEAM WIDTH CONTROL SPRING SCREW
34	270 550549	SEAM WIDTH CONTROL SCREW
35	270 550456	SEAM WIDTH CONTROL SCREW BUSHING
36	270 543801003	SEAM WIDTH CONTROL SCREW RETAINING RING
37	270 550359	SEAM WIDTH CONTROL SCREW SPRING
38	416323501	SEAM WIDTH CONTROL STUD SCREW
39	416327301	NEEDLE GUARD BRACKET
40	416325701	NEEDLE GUARD(FRONT) FOR OVEREDGE NEEDLE
41	416323601	NEEDLE GUARD(FRONT) FOR OVEREDGE NEEDLE SCREW
42	416320601	NEEDLE GUARD(FRONT) FOR OVEREDGE NEEDLE ADJUSTING SCREW
43	416324101	NEEDLE GUARD BRACKET COMP. SCREW
44	416677301	KNIFE (MOVEABLE) COMP.
45	416677401	KNIFE (STATIONARY) COMP.
46	270 550598	SEAM WIDTH CONTROL SCREW COMP.



---

2	416323501	FEED CRANK (LEFT) SCREW
4	N/S	FEED CRANK (LEFT) STUD
5	416322601	FEED CRANK (LEFT) STUD RETAINING RING
6	416322301	FEED CRANK (LEFT) STUD THRUST WASHER
7	N/S	FEED CRANK SHAFT BUSHING (LEFT)
8	N/S	FEED CRANK SHAFT BUSHING (RIGHT)
9	416322401	FEED CRANK SHAFT THRUST WASHER
10	416326301	FEED CRANK SHAFT
11	N/S	FEED CRANK SHAFT BUSHING RETAINING RING
12	N/S	FEED CRANK SHAFT THRUST WASHER
13	N/S	FEED CRANK (RIGHT) COMP.
15	416323501	FEED CRANK (RIGHT) STUD SCREW
16	N/S	FEED CRANK (RIGHT) (FOR DIFF.FEED) COMP.
20	N/S	FEED REGULATOR CRANK ROD COMP.
22	N/S	FEED CRANK RODSTUD
25	N/S	FEED CRANK (RIGHT) STUD
27	N/S	FEED CAM COMP.
29	N/S	FEED CRANK ROD
31	N/S	FEED BAR
32	N/S	FEED DOG
33	N/S	FEED DOG SCREW
34	N/S	FEED LIFTING CAM COMP.
36	N/S	FEED LIFTING CAM SLIDE BLOCK
37	N/S	FEED LIFTING CAM SLIDE BLOCK RETAINING RING
38	N/S	MAIN FEED BAR
39	416326501	MAIN FEED DOG
40	416323701	SCREW
41	416326401	MAIN FEED BAR SPRING SCREW STUD
42	N/S	AUXILIARY FEED SUPPORT BRACKET
44	N/S	AUXILIARY FEED BAR
45	416326701	AUXILIARY FEED BAR GUIDE PIN SCREW
46	N/S	AUXILIARY FEED BAR LINK RETAINING RING
47	N/S	AUXILIARY FEED BAR LINK
48	N/S	DIFFERENTIAL FEED ARM COMP.
49	416326801	MAIN FEED BAR SPRING
50	416326601	AUXILIARY FEED DOG
51	416324201	AUXILIARY FEED DOG SCREW
52	416322801	AUXILIARY FEED DOG SCREW WASHER
53	N/S	AUXILIARY FEED DOG HOLDER
54		WASHER

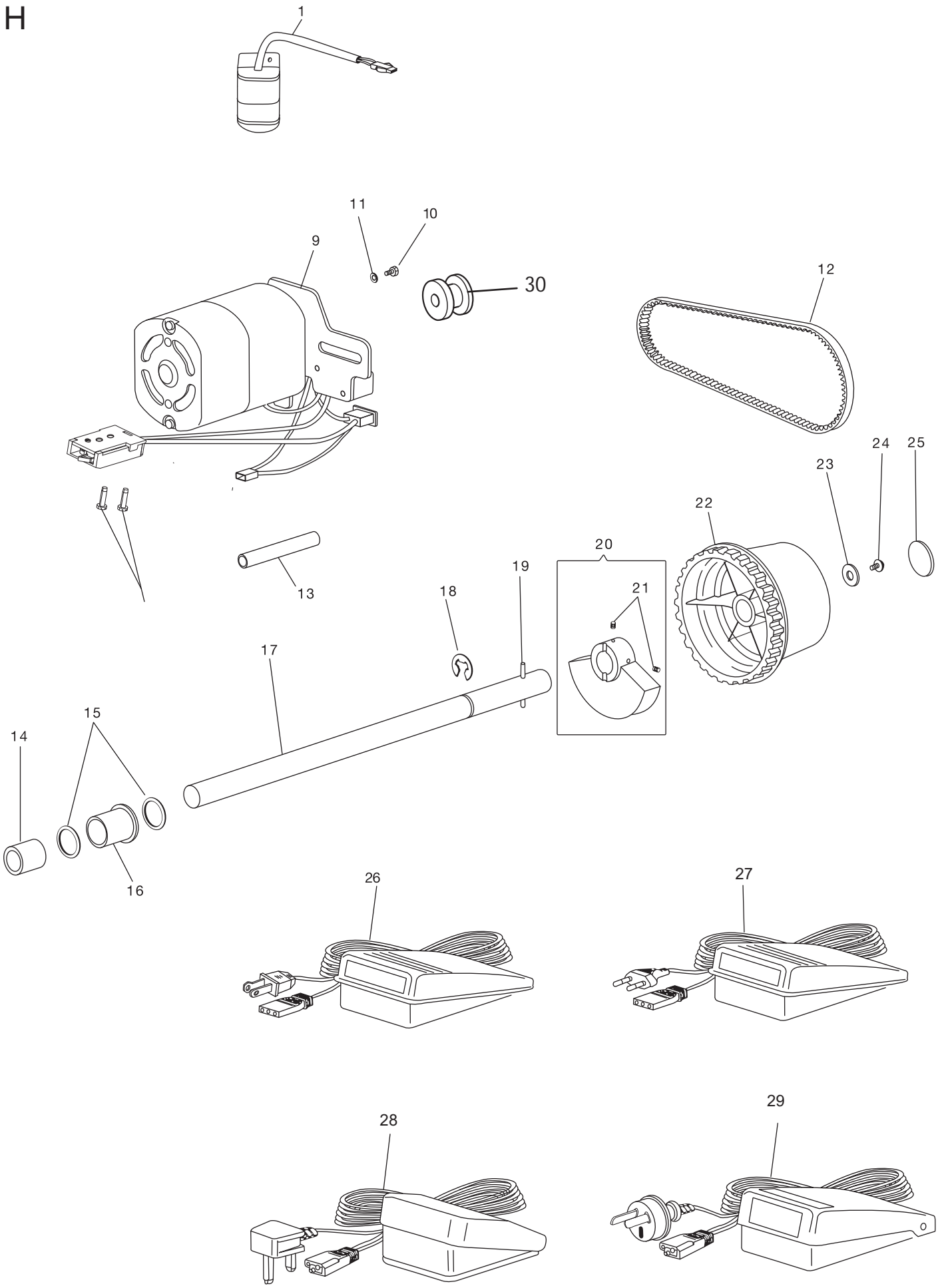
G





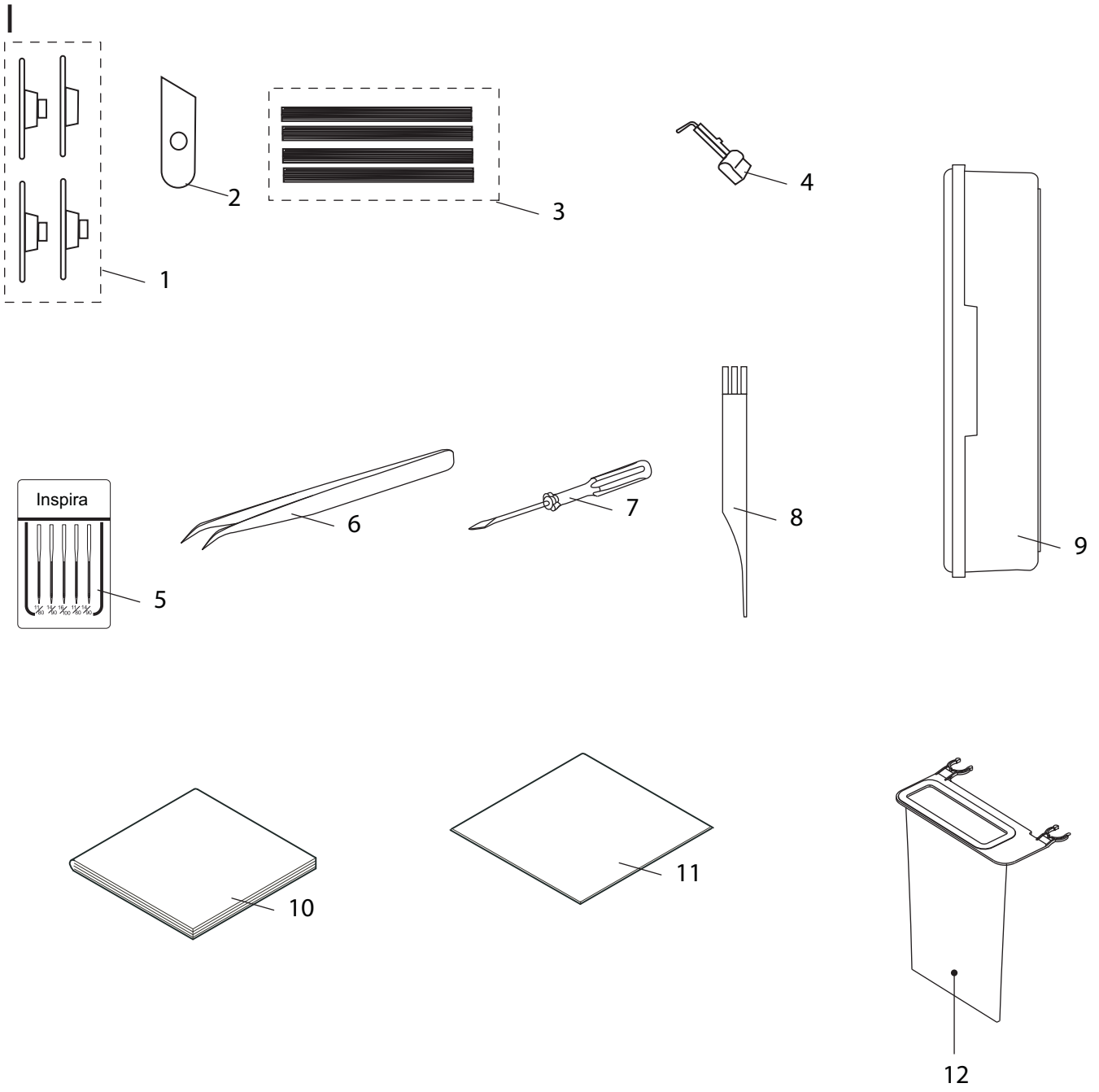
---

1	N/S	FEED REGULATOR DRIVING CAM (BODY) COMP.
2	416323501	FEED REGULATOR DRIVING CAM SCREW
3	416331401	FEED DIAL (GRAPHIC)
4	416322601	FEED DIAL (GRAPHIC) REGAINING RING
5	416321001	FEED DIAL WAVE WASHER
6	N/S	FEED REGULATOR
7	N/S	FEED REGULATOR STUD BUSHING
9	416319601	FEED REGULATOR LEVER SPRING
10	N/S	FEED REGULATOR LEVER COMP.
12	N/S	DIFFERENTIAL FEED SAFETY PLATE
13	416322501	DIFFERENTIAL FEED SAFETY PLATE RETAINING PLATE
14	N/S	DIFFERENTIAL FEED SHAFT
16	N/S	DIFFERENTIAL FEED SHAFT BUSHING (LEFT)
17	N/S	DIFFERENTIAL FEED SHAFT COLLAR COMP.
18	N/S	DIFFERENTIAL FEED SHAFT COLLAR SCREW
19	N/S	DIFFERENTIAL FEED SHAFT BUSHING
20	N/S	DIFFERENTIAL FEED ADJUSTING ARM COMP.
22	N/S	DIFFERENTIAL FEED CRANK ROD
23	N/S	DIFFERENTIAL FEED CRANK STUD
25	N/S	DIFFERENTIAL FEED CRANK ROD STUD
27	N/S	DIFFERENTIAL FEED ADJUSTING LEVER (LOWER)
28	N/S	DIFFERENTIAL FEED LEVER LINK COMP.
29	N/S	DIFFERENTIAL FEED LEVER RETAINING RING
31	N/S	DIFFERENTIAL FEED LEVER COMP.
32	N/S	DIFFERENTIAL FEED ADJUSTING LEVER SCREW
33	N/S	DIFFERENTIAL FEED ADJUSTING LEVER STUD
36	N/S	DIFFERENTIAL FEED ADJUSTING LEVER SPRING
37	416324601	DIFFERENTIAL FEED ADJUSTING LEVER SPRING SCREW
38	N/S	DIFFERENTIAL FEED ADJUSTING LEVER COMP.
39	416323101	DIFFERENTIAL FEED ADJUSTING LEVER PIN
40	N/S	DIFFERENTIAL FEED ADJUSTING LEVER WASHER
41	416332101	DIFFERENTIAL FEED ADJUSTING LEVER KNOB



---

1	416319401	LED LIGHT COMP.(FOR 220-240V)
	416319301	LED LIGHT COMP.(FOR 120V)
2	N/S	
3	N/S	
4	N/S	
6	N/S	CORD RETAINER
7	N/S	CORD CLAMPING PLATE
8	416324101	CORD CLAMPING PLATE SCREW
9	416330601	MOTOR, SWITCH COMP. (220V)
	416330501	MOTOR, SWITCH COMP. (FOR 120V)
10	416324801	MOTOR, BRACKET SCREW
11	416323001	MOTOR, BRACKET SCREW WASHER
12	416327701	TIMING BELT
13	N/S	TUBE(FOR220-240V)
14	N/S	ROTATING SHAFT BUSHING (LEFT)
15	N/S	ROTATING SHAFT THRUST WASHER
16	N/S	ROTATING SHAFT BUSHING (RIGHT)
17	N/S	ROTATING SHAFT
18	N/S	ROTATING SHAFT RETAINING RING
19	N/S	ROTATING SHAFT SPRING PIN
20	N/S	ROTATING SHAFT BALANCE WEIGHT COMP.
21	416323501	ROTATING SHAFT BALANCE WEIGHT COMP.SCREW
22	416331301	TIMING BELT PULLEY
23	416323201	TIMING BELT PULLEY SET SCREW WASHER
24	416324601	TIMING BELT PULLEY SET SCREW
25	416332901	TIMING BELT PULLEY COVER
26	416319901	CONTROLLER COMP. (TRIAC 100-120V)(PLUG A-TYPE) US-Can
27	416320101	CONTROLLER COMP. (CARBON 220-250V)(PLUG C-TYPE) Europe Stand.
28	416320001	CONTROLLER COMP. (CARBON 230V)(PLUG BF-TYPE) UK
29	416320201	CONTROLLER COMP. (for 220-250V) (Plug S-Type) Aus
30	416604001	Motor Pulley Compl



1-9	416330301	ACCESSORY SET
1	416324901	SPOL HOLDER
2	416325901	KNIFE (STATIONARY)
3	412397701	THREAD NET
4	416326901	SPREADER
5	620079596	OVERLOCK NEEDLE ELX705 80, 5PACK
6	416015401	TWEEZERS
7	412289001	SCREW DRIVER (SMALL)
8	401555501	CLEANING BRUSH
9	N/S	AS SEPARATE PART
10	413173601	USERS HAND BOOK SWE
	413173606	USERS HAND BOOK DAN
	413173611	USERS HAND BOOK FIN
	413173621	USERS HAND BOOK NOR
	413173626	USERS HAND BOOK ENG
	413173631	USERS HAND BOOK FRA
	413173636	USERS HAND BOOK DUTCH
	413173641	USERS HAND BOOK ITA
	413173651	USERS HAND BOOK GER
11	416329601	SOFT COVER
12	416330101	WASTE BAG COMP.

#### EXTRA FEETS

620081496	GATHERING FOOT
620081596	ELASTIC FOOT
620081696	PIPING FOOT
620081796	BLIND HEM FOOT
620081896	BEADING FOOT
620081996	LACE FOOT
620082096	YARN APPLICATION FOOT