

# **PFAFF**

**Hobby GrandQuilter**

**1200**

**Ersatzteile-Liste**

**List of spare parts**

**Liste des pièces détachées**

**Catalogo pezzi staccati**

**Lista de piezas de repuesto**

**Nicht nummerierte Teile im Katalog werden nicht geliefert.**

**The parts mentioned without number in the parts list are not available.**

**Les pièces qui ne sont pas numérotées dans la liste de pièces détachées ne peuvent être livrées.**

**Pezzi non catalogati non sono disponibili.**

**Las piezas de repuesto sin número en esta lista no se entregarán.**

Bei Bestellung von Ersatzteilen muß die Modell-Nr. der Maschine, die Seitenzahl des Kataloges und die Teilenummer angegeben werden.

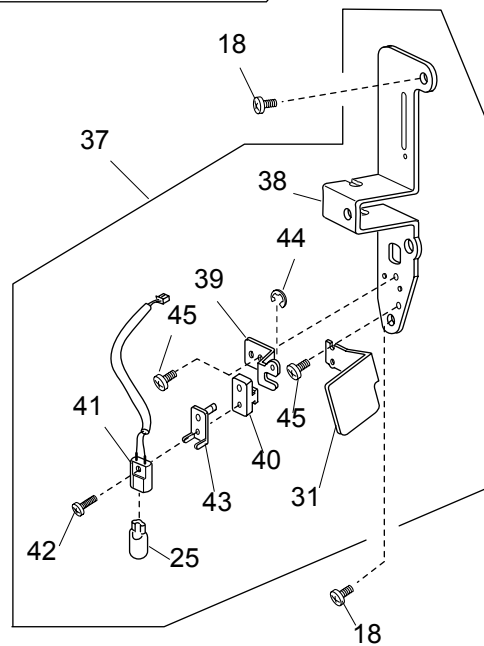
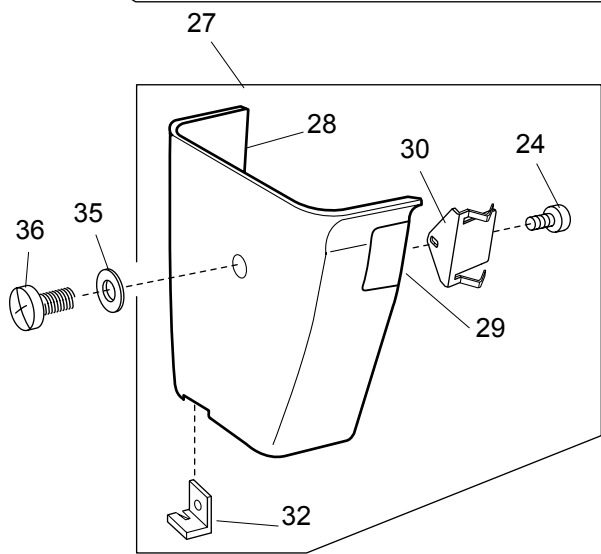
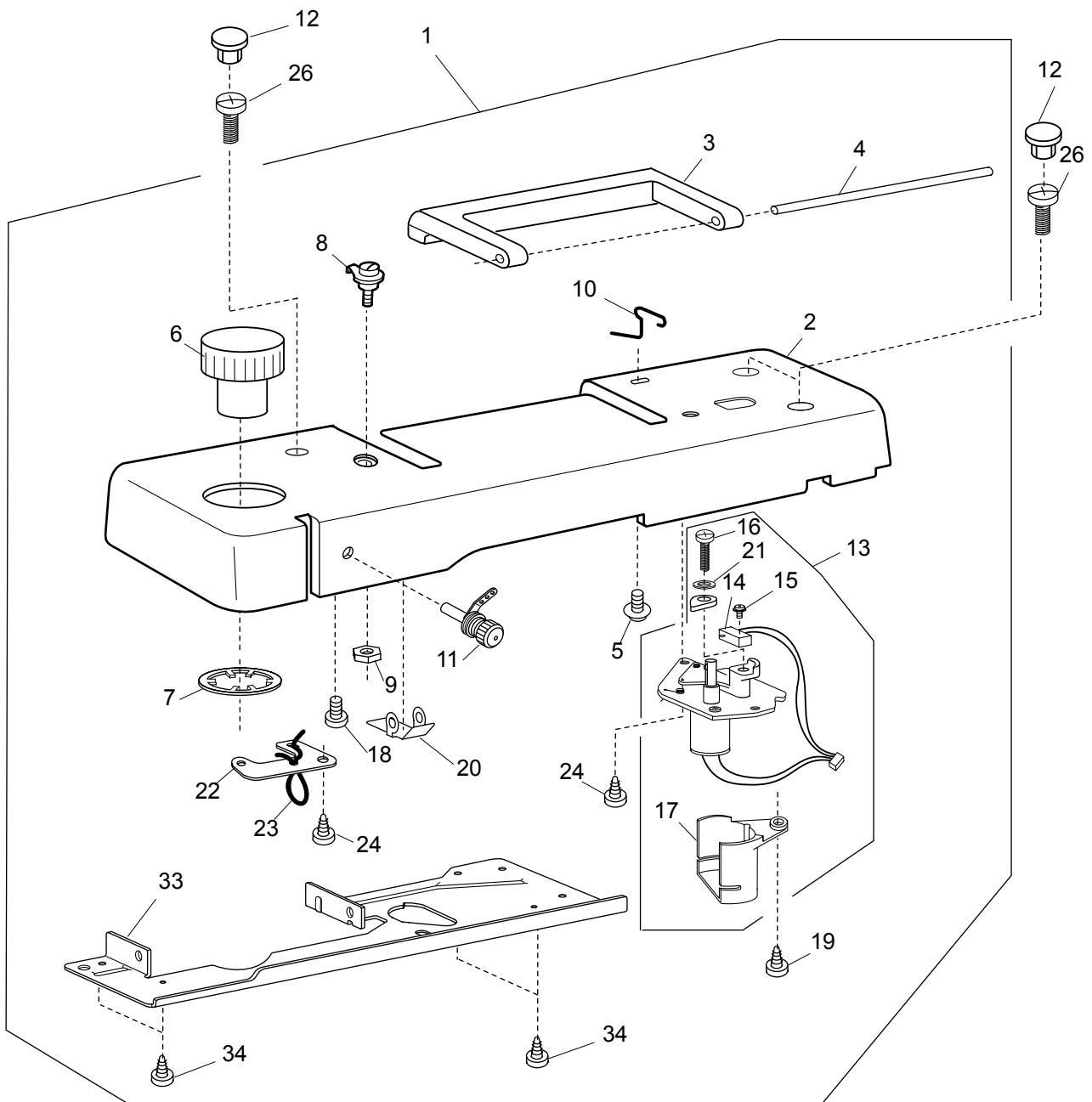
Prière d'indiquer dans vos commandes de pièces de rechange, le numéro de la machine, le numéro de la page dans la liste des pièces détachées, ainsi que les numéros des pièces commandées.

When ordering spare parts, please state the model number, the page number in the catalogue of spare parts and the number of the parts called for.

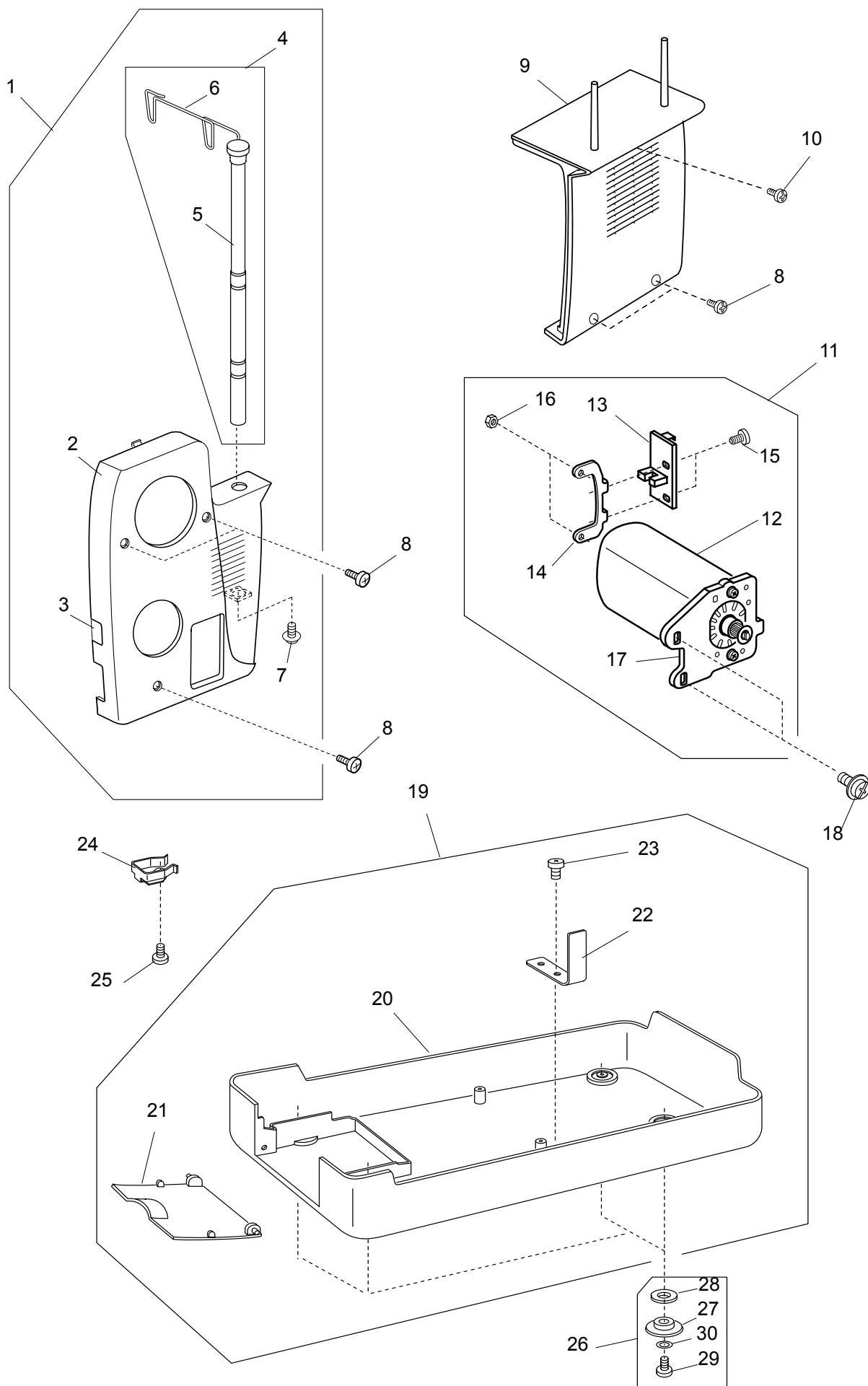
La richiesta dei pezzi di ricambio deve contenere il modello della macchina, la pagina del catalogo e il codice del pezzo.

Al pedir piezas, sírvanse de indicar el número del modelo de la máquina, la página de la lista de piezas de repuestos y el número de la pieza deseada.

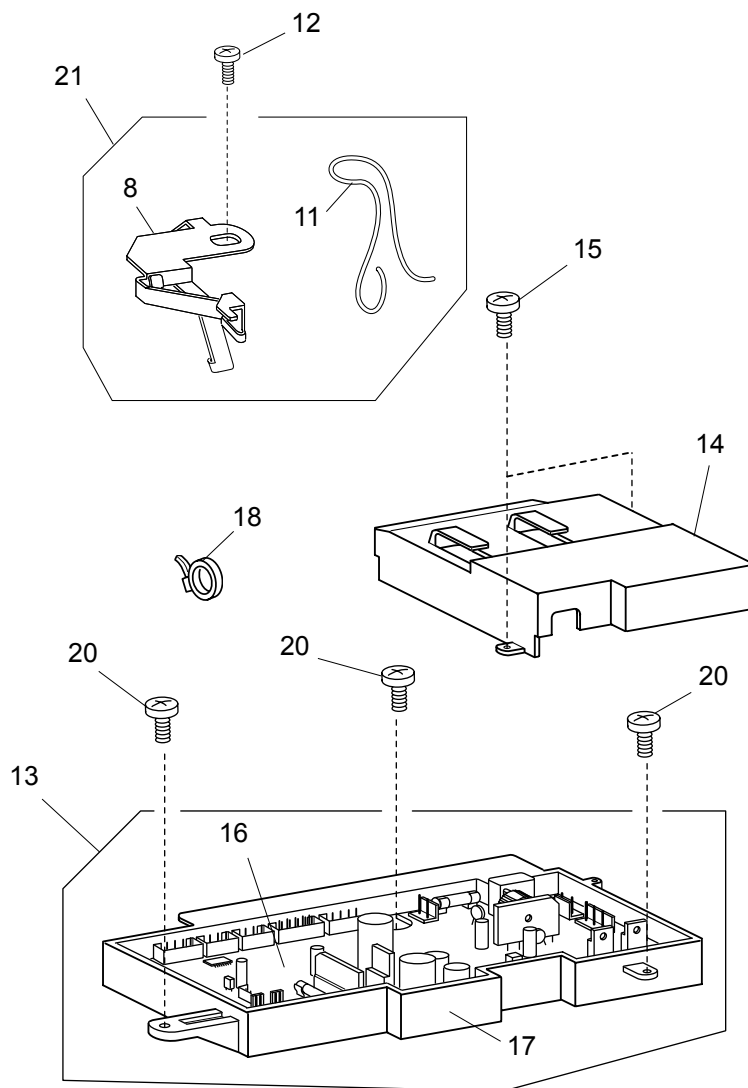
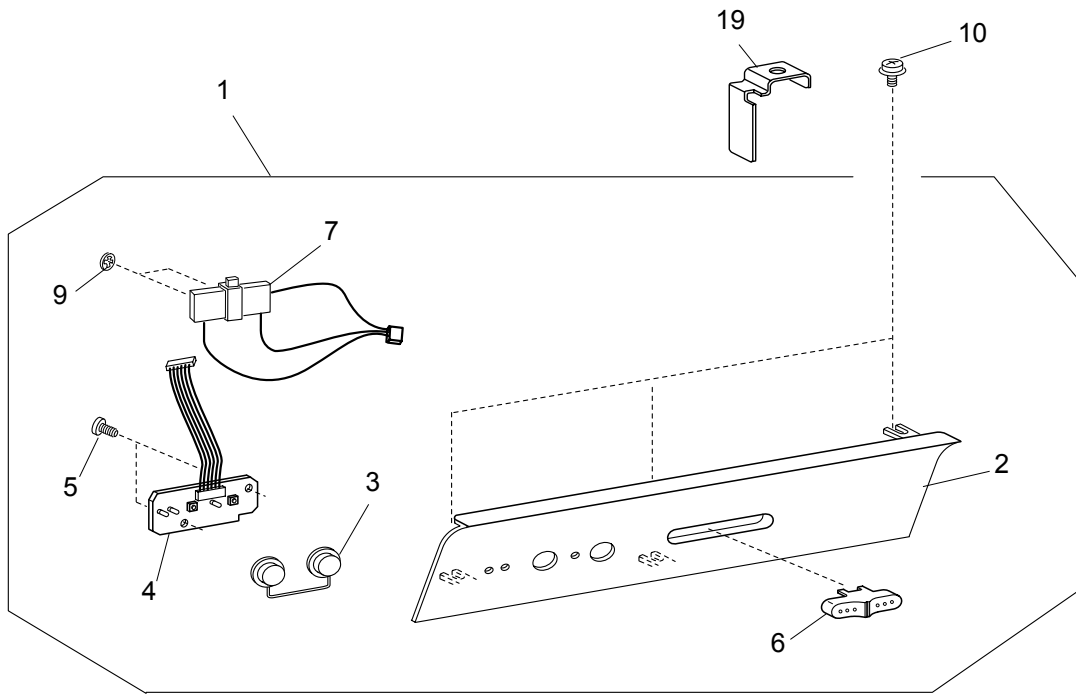




<b>NO.</b>	<b>Part Number</b>	<b>Description</b>
1	4160769-01	Top cover (unit)
2	4160706-01	Top cover
3	4160788-01	Handle
4	4160708-01	Pin
5	4160523-01	Setscrew 3X6
6	4160564-01	Foot pressure adjusting dial
7	4160492-01	Snap ring CS-22
8	4160750-01	Thread guide (unit)
9	4160224-01	Adjustable lock nut
10	4160789-01	Top cover thread guide (3)
11	4160723-01	Pre-tension (unit)
12	4160543-01	Cap
13	4160732-01	Bobbin winder (unit)
14	4160796-01	Micro switch
15	4160518-01	TP screw 2X8
16	4160513-01	Setscrew 4X20
17	4160792-01	Motor cover
18	4160197-01	Setscrew 4X8
19	4160520-01	Setscrew 3X14
20	4160794-01	Handle leaf
21	4160195-01	Washer 4
22	4160636-01	Oil wick fixing plate
23	4160560-01	Oil wick
24	4160221-01	Setscrew 3 X 8 (B)
25	4160493-01	Wedge lamp
26	4160207-01	Setscrew 4 X 10
27	4160768-01	Face plate (unit)
28	4160705-01	Face plate
29	4160563-01	Foot pressure display window
30	4160658-01	Presser bar base
31	4160635-01	Lamp shield plate
32	4160446-01	Thread cutter (unit)
33	4160707-01	Handle base plate
34	4160453-01	Setscrew 3 X 10
35	4160507-01	Washer 4
36	4160512-01	Setscrew 4 x 10
37	4160735-01	Front bracket (unit)
38	4160569-01	Front bracket
39	4160584-01	Lamp bracket
40	4160647-01	Lamp cushion
41	4160536-01	Lamp socket (unit)
42	4160508-01	Setscrew 2 X 10
43	4160652-01	Lamp set plate
44	4160487-01	Snap ring E-2.3
45	4160208-01	Setscrew 3 X 5

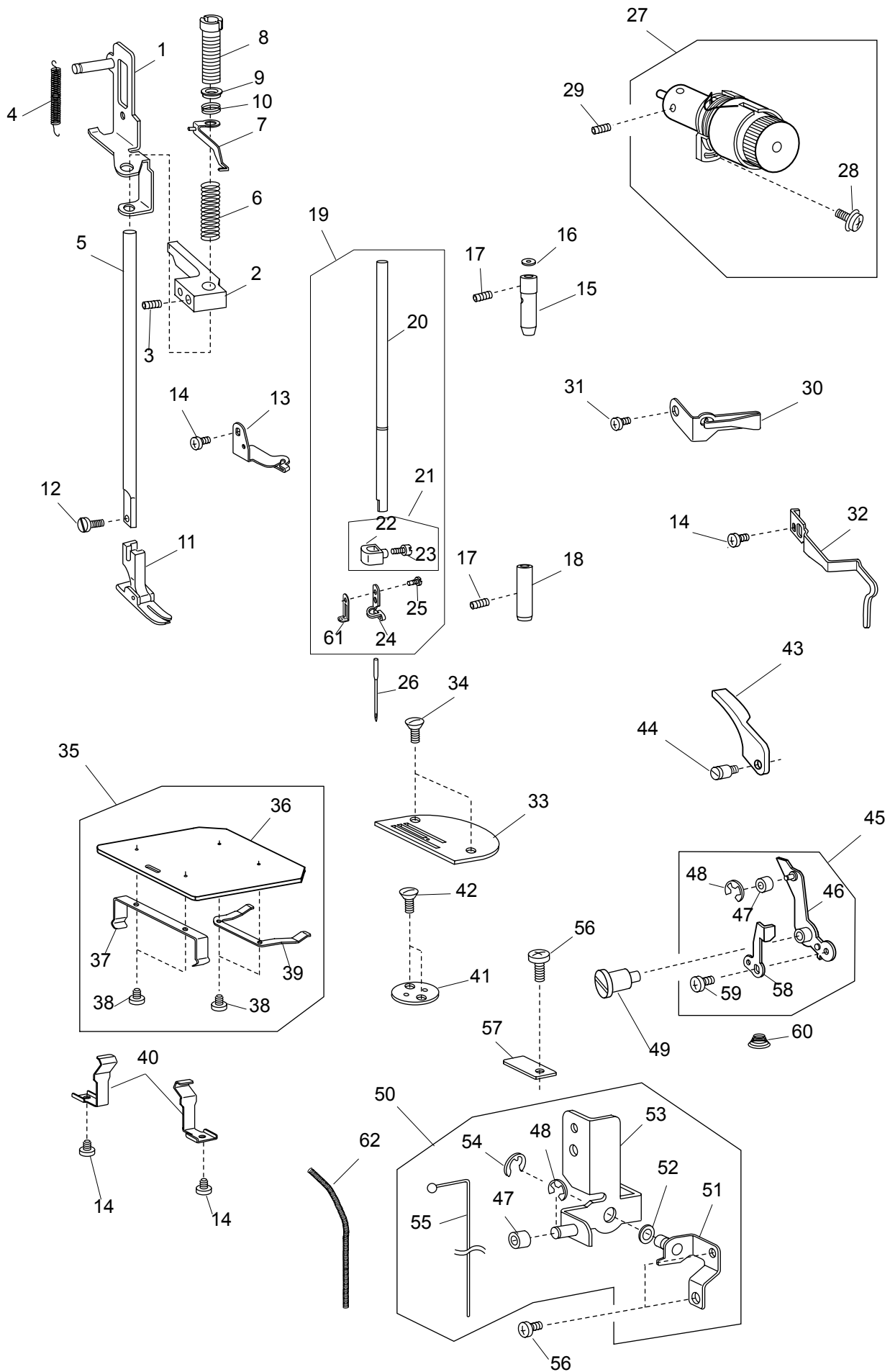


<b>NO.</b>	<b>Part Number</b>	<b>Description</b>
1	4160770-01	Belt cover (unit)
2	4160710-01	Belt cover
3	4160567-01	Stitch length window
4	4160748-01	Thread guide (unit)
5	4160780-01	Thread guide post
6	4160568-01	Thread guide bar
7	4160519-01	TP screw 4 X 10
8	4160527-01	Setscrew 4 x 12
9	4160709-01	Motor cover
10	4160509-01	Setscrew 4 X 16
11	4160775-01	Motor (unit)
12	4160532-01	Motor (unit)
13	4160721-01	Printed circuit board MS (unit)
14	4160632-01	Set plate
15	4160208-01	Setscrew 3 X 5
16	4160503-01	Nut 4-2-7
17	4160713-01	Motor bracket
18	4160220-01	TP screw 5 X 10
19	4160733-01	Base (unit)
20	4160565-01	Base
21	4160566-01	Base cover
22	4160655-01	Table latch spring (2)
23	4160528-01	Setscrew 4 X 8
24	4160654-01	Table latch spring (1)
25	4160203-01	Setscrew 4 X 6
26	4160753-01	Bed rubber foot (unit)
27	4160778-01	Bed rubber foot
28	4160781-01	Bed rubber foot plate
29	4160779-01	Bed rubber foot screw
30	4160505-01	Washer 5

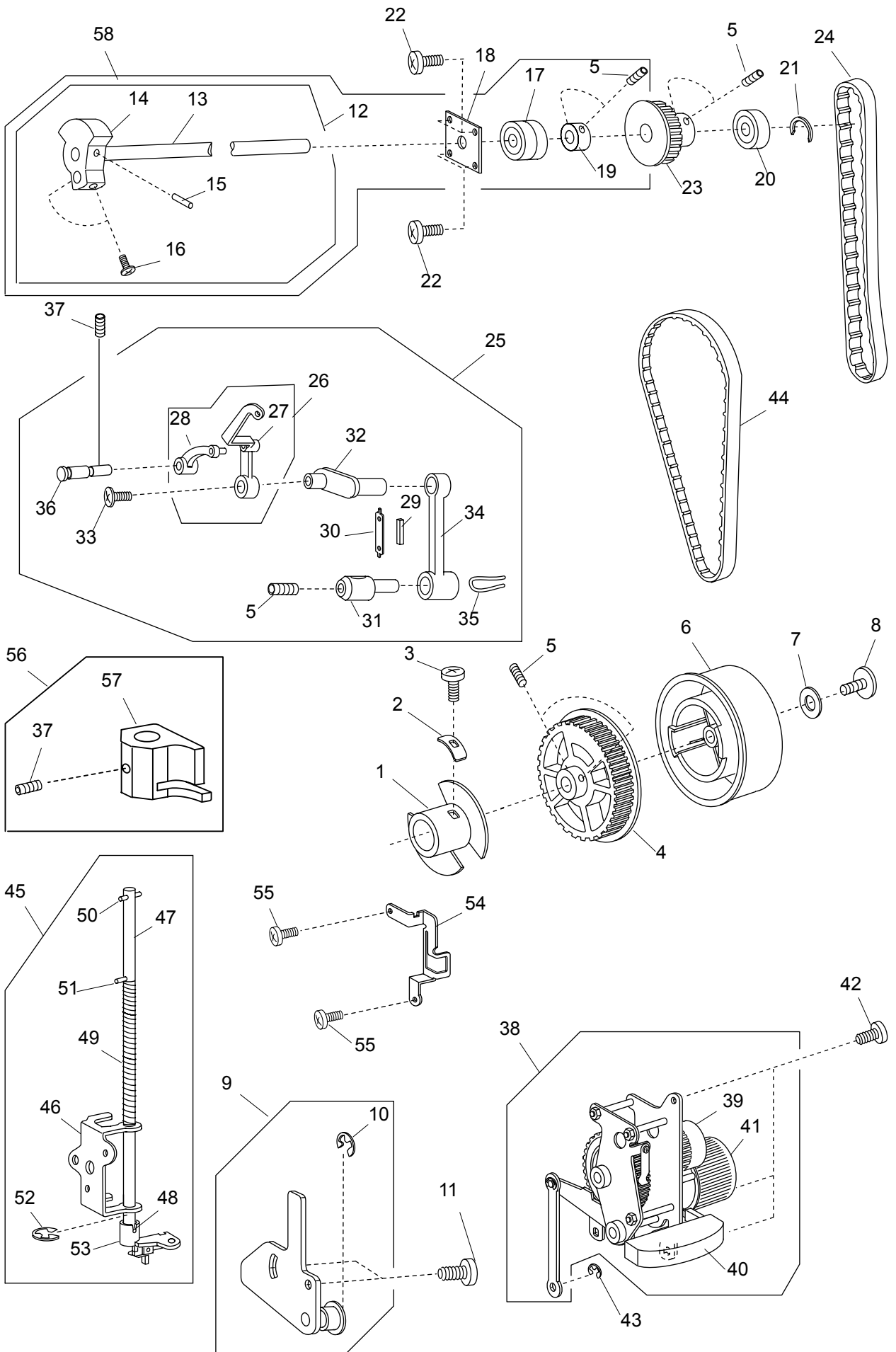




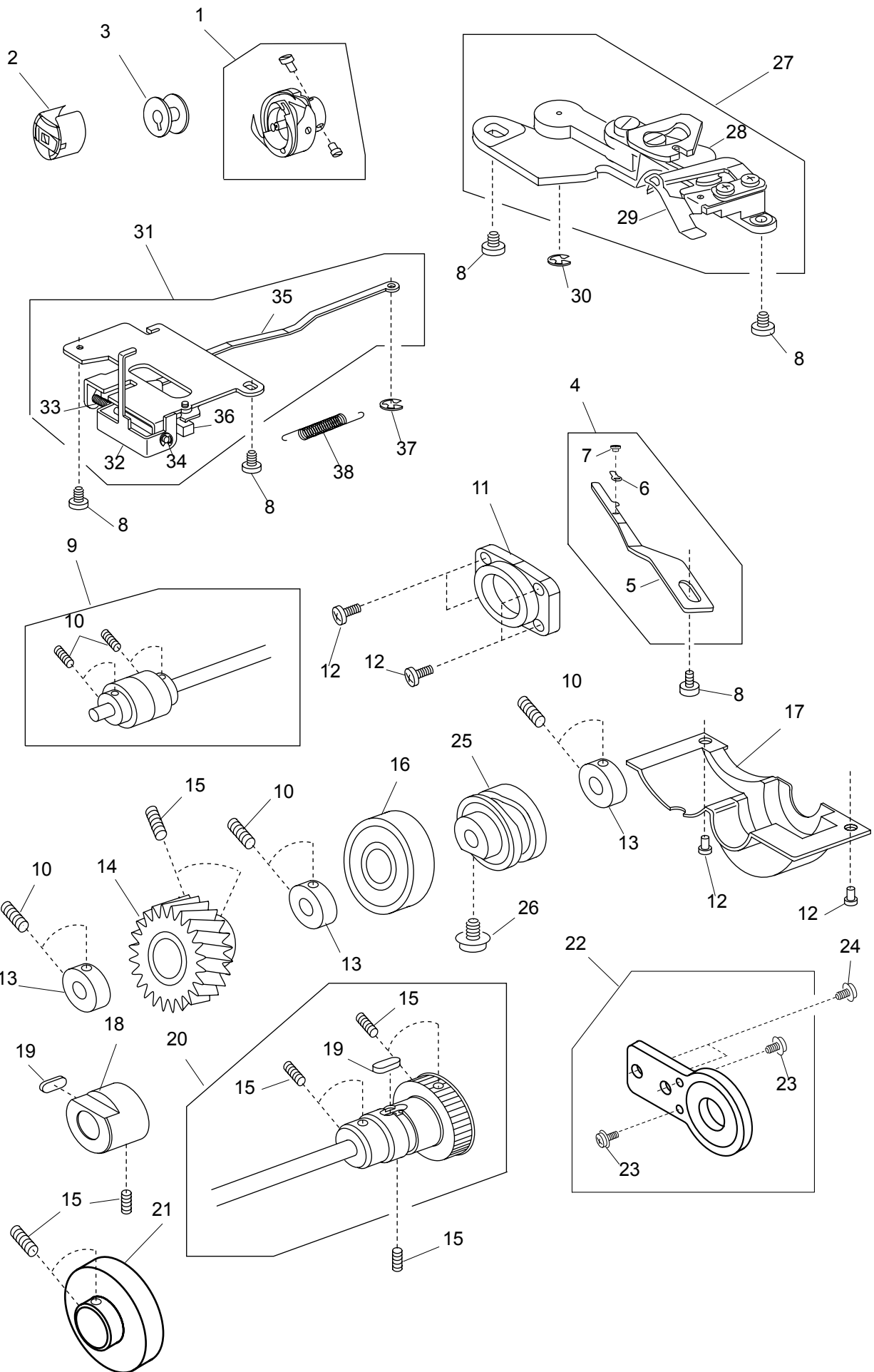
<b>NO.</b>	<b>Part Number</b>	<b>Description</b>
1	4160767-01	Ornamental panel (unit)
2	4160702-01	Ornamental panel
3	4160703-01	Button 1
4	4160727-01	Printed circuit board F (unit)
5	4160221-01	Setscrew 3 X 8 (B)
6	4160704-01	Speed control slider
7	4160725-01	Slide volume
8	4160637-01	Oil wick fixing plate (2)
9	4160491-01	Snap ring CS 3
10	4160517-01	TP screw 4 X 6
11	4160559-01	Oil wick
12	4160203-01	Setscrew 4 X 6
13	4160743-01	Printed circuit board A (unit) (120V)
14	4160630-01	Printed circuit board A case (upper)
15	4160453-01	Setscrew 3 X 10
16	4160729-01	Printed circuit board A (unit) (120V)
17	4160629-01	Printed circuit board A case (lower)
18	4160499-01	Cord binder
19	4160698-01	Cord guide
20	4160197-01	Setscrew 4 X 8
21	4160736-01	Oil wick fixing plate (2) (unit)



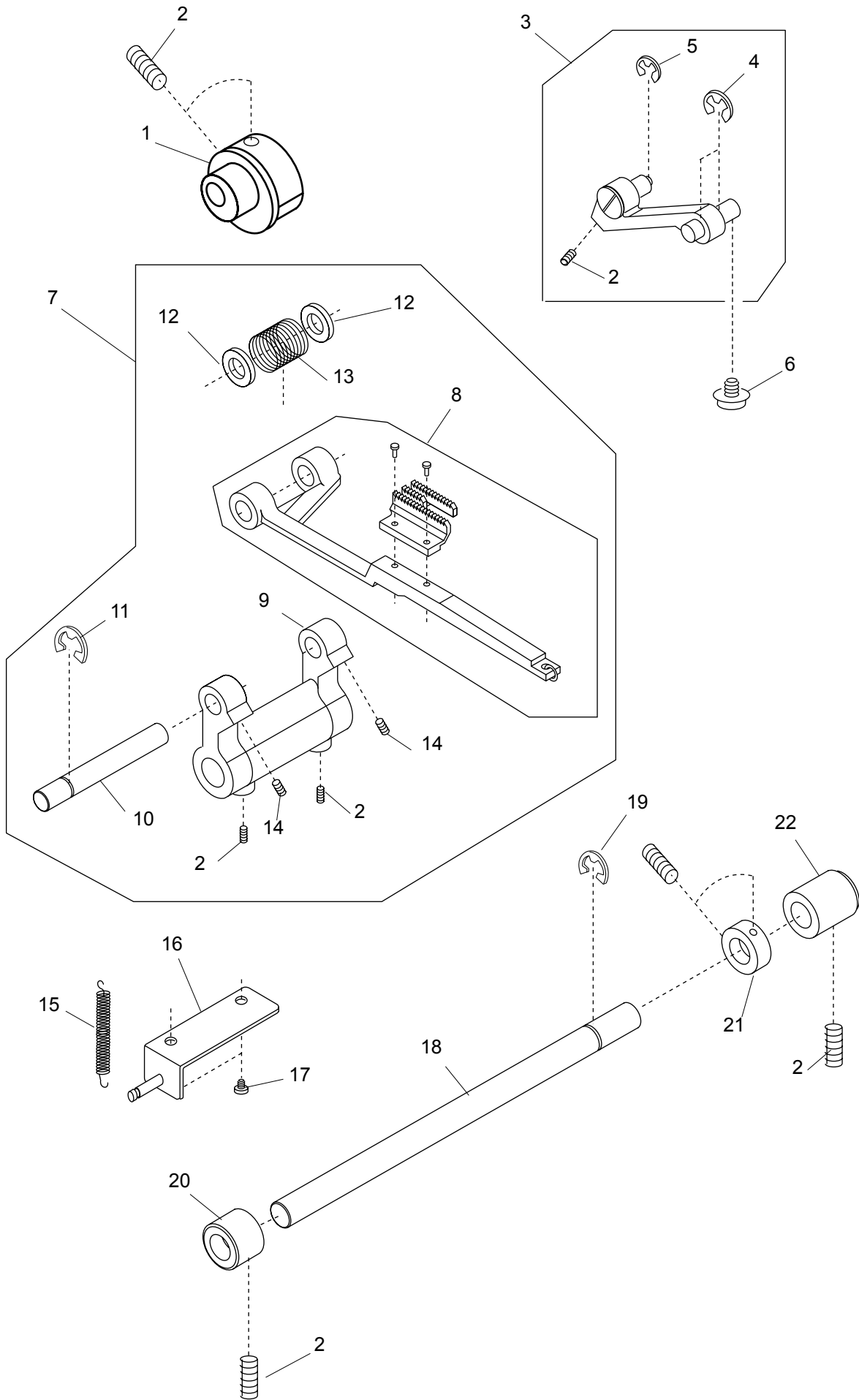
<b>NO.</b>	<b>Part Number</b>	<b>Description</b>
1	4160575-01	Presser bar lifter
2	4160576-01	Presser bar bracket
3	4160216-01	Hexagonal socket screw 5 X 5
4	4160791-01	Presser bar spring
5	4160577-01	Presser bar
6	4160578-01	Presser spring
7	4160579-01	Foot pressure indicator
8	4160580-01	Foot pressure adjusting screw
9	4160646-01	Spacer
10	4160645-01	Presser bar sub-spring
11	4160546-01	Presser foot (unit)
12	4160562-01	Setscrew
13	4160585-01	Arm thread guide (lower)
14	4160203-01	Setscrew 4 X 6
15	4160586-01	Needle bar bushing (upper)
16	4160587-01	Felt
17	4160215-01	Hexagonal socket screw 4 X 4
18	4160611-01	Needle bar bushing (lower)
19	4160751-01	Needle bar (unit)
20	4160641-01	Needle bar
21	4160724-01	Needle clamp (unit)
22	4160656-01	Needle clamp
23	4160549-01	Setscrew
24	4160660-01	Needle bar thread guide
25	4160661-01	Setscrew
26	4160718-01	Needle HL X 5–14
27	4160719-01	Thread tension (unit)
28	4160515-01	Setscrew TP 3 X 6
29	4160214-01	Hexagonal socket screw 4 X 6
30	4160589-01	Arm thread guide
31	4160198-01	Setscrew 4 X 6
32	4160590-01	Large thread guide
33	4160695-01	Needle plate
34	4160533-01	Needle plate set screw
35	4160734-01	Hook cover plate (unit)
36	4160571-01	Hook cover plate
37	4160572-01	Hook cover plate spring
38	4160416-01	Setscrew 2 X 2.3
39	4160573-01	Hook cover plate supporter spring
40	4160570-01	Hook cover plate retainer
41	4160574-01	Attachment mount
42	4160545-01	Setscrew
43	4160644-01	Presser foot lifter
44	4160790-01	Hinge screw
45	4160756-01	Thread tension release lever (unit)
46	4160663-01	Thread tension release lever
47	4160793-01	Roller
48	4160174-01	Snap ring E-3
49	4160665-01	Hinge screw (4)
50	4160771-01	Thread tension release base plate (unit)
51	4160714-01	Thread tension release base plate
52	4160498-01	Thrust washer FT-60
53	4160715-01	Thread tension release crank
54	4160173-01	Snap ring E-5
55	4160728-01	Wire (unit)
56	4160197-01	Setscrew 4 X 8
57	4160664-01	Plate
58	4160689-01	Thread tension release lever plate
59	4160511-01	Setscrew 3.5 X 6
60	4160548-01	Thread tension release lever spring
61	4160643-01	Needle guard
62	4160701-01	Spring



<b>NO.</b>	<b>Part Number</b>	<b>Description</b>
1	4160688-01	Upper shaft shield plate
2	4160783-01	Washer
3	4160207-01	Setscrew 4 X 10
4	4160657-01	Belt wheel
5	4160216-01	Hexagonal socket screw 5 X 5
6	4160634-01	Handwheel
7	4160537-01	Washer
8	4160538-01	Setscrew
9	4160739-01	Idler (unit)
10	4160176-01	Snap ring E6
11	4160220-01	TP screw 5 X 10
12	4160738-01	Upper shaft (unit)
13	4160597-01	Upper shaft
14	4160598-01	Take up lever crank
15	4160494-01	Spring pin 4 X 25
16	4160556-01	Setscrew
17	4160653-01	Ball bearing (720 IA-DF)
18	4160648-01	Washer (1)
19	4160604-01	Ring
20	4160649-01	Ball bearing (6901ZZ)
21	4160496-01	Snap ring crescent (5103-46)
22	4160203-01	Setscrew 4 X 6
23	4160600-01	Upper shaft timing gear
24	4160601-01	Timing belt
25	4160749-01	Take up lever (unit)
26	4160720-01	Take up lever (unit)
27	4160552-01	Take up lever
28	4160553-01	Take up lever supporter
29	4160312-01	Felt
30	4160313-01	Felt holder
31	4160603-01	Needle bar conn. stud
32	4160550-01	Needle bar crank pin
33	4160551-01	Setscrew
34	4160602-01	Needle bar crank rod
35	4160561-01	Oil wick
36	4160554-01	Take up lever pin
37	4160215-01	Hexagonal socket screw 4 X 4
38	4160773-01	Feed adjusting base (unit)
39	4160626-01	Indicator drum
40	4160711-01	Reverse stitch lever
41	4160625-01	Stitch length dial
42	4160197-01	Setscrew 4 X 8
43	4160173-01	Snap ring E-5
44	4160633-01	Timing belt
45	4160745-01	Needle threader (unit)
46	4160583-01	Needle threader plate
47	4160581-01	Needle threader shaft
48	4160489-01	Spring pin 2 X 6
49	4160582-01	Needle threader spring
50	4160521-01	Pin E 2 X 10 – CH
51	4160522-01	Pin G 2 X 14 – CH
52	4160174-01	Snap ring E-3
53	4160746-01	Needle threader guard plate (unit)
54	4160642-01	Needle threader guide plate
55	4160208-01	Setscrew 3 X 5
56	4160747-01	Needle threader positioning base (unit)
57	4160588-01	Needle threader positioning base
58	4160755-01	Upper shaft (unit)

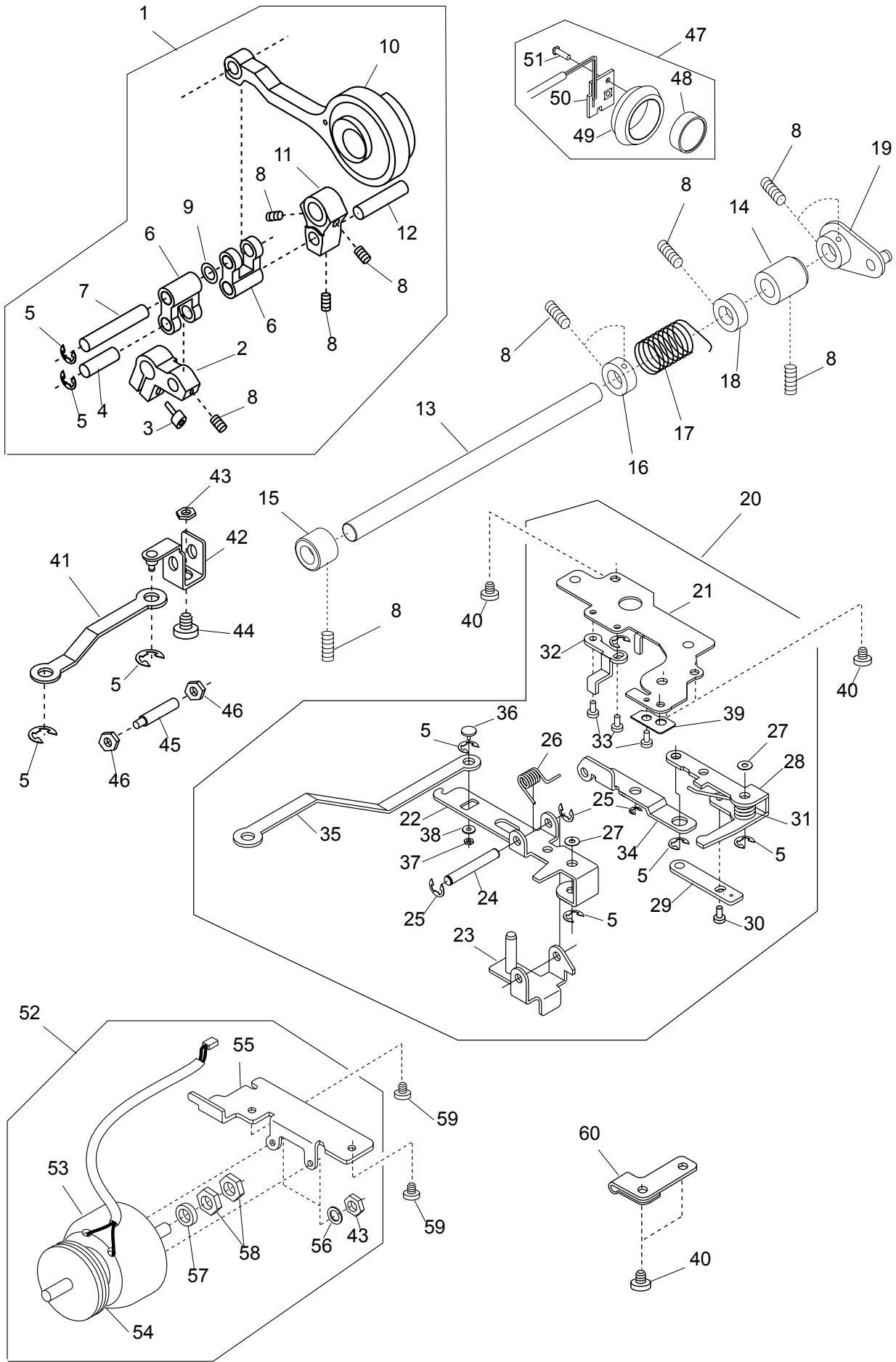


<b>NO.</b>	<b>Part Number</b>	<b>Description</b>
1	4160557-01	Hook race (unit)
2	4160722-01	Bobbin case (unit)
3	4160555-01	Bobbin
4	4160726-01	Hook race stopper (unit)
5	4160605-01	Hook race stopper
6	4160659-01	Hook race stopper spring
7	4160526-01	Setscrew 2 X 2.3
8	4160197-01	Setscrew 4 X 8
9	4160757-01	Hook race shaft (unit)
10	4160215-01	Hexagonal socket screw 4 X 4
11	4160650-01	Holder plate (3)
12	4160203-01	Setscrew 4 X 6
13	4160415-01	Lower shaft ring
14	4160606-01	Hook race gear
15	4160216-01	Hexagonal socket screw 5 X 5
16	4160651-01	Ball bearing (698Z)
17	4160607-01	Gear cover
18	4160608-01	Lower shaft bushing
19	4160599-01	Felt
20	4160754-01	Lower shaft (unit)
21	4160609-01	Lower shaft gear
22	4160737-01	Lower shaft supporter (unit)
23	4160517-01	TP screw 4 X 6
24	4160516-01	TP screw 4 X 12
25	4160669-01	Thread cutter cam
26	4160514-01	TP screw 3 X 14
27	4160760-01	Auto-thread cutter unit
28	4160685-01	Thread cutter blade
29	4160686-01	Thread guide plate
30	4160173-01	Snap ring E-5
31	4160761-01	Thread drawing lever (unit)
32	4160687-01	Thread drawing lever
33	4160694-01	Spring
34	4160174-01	Snap ring E-3
35	4160679-01	Link
36	4160684-01	Cushion 3
37	4160175-01	Snap ring E-4
38	4160692-01	Spring

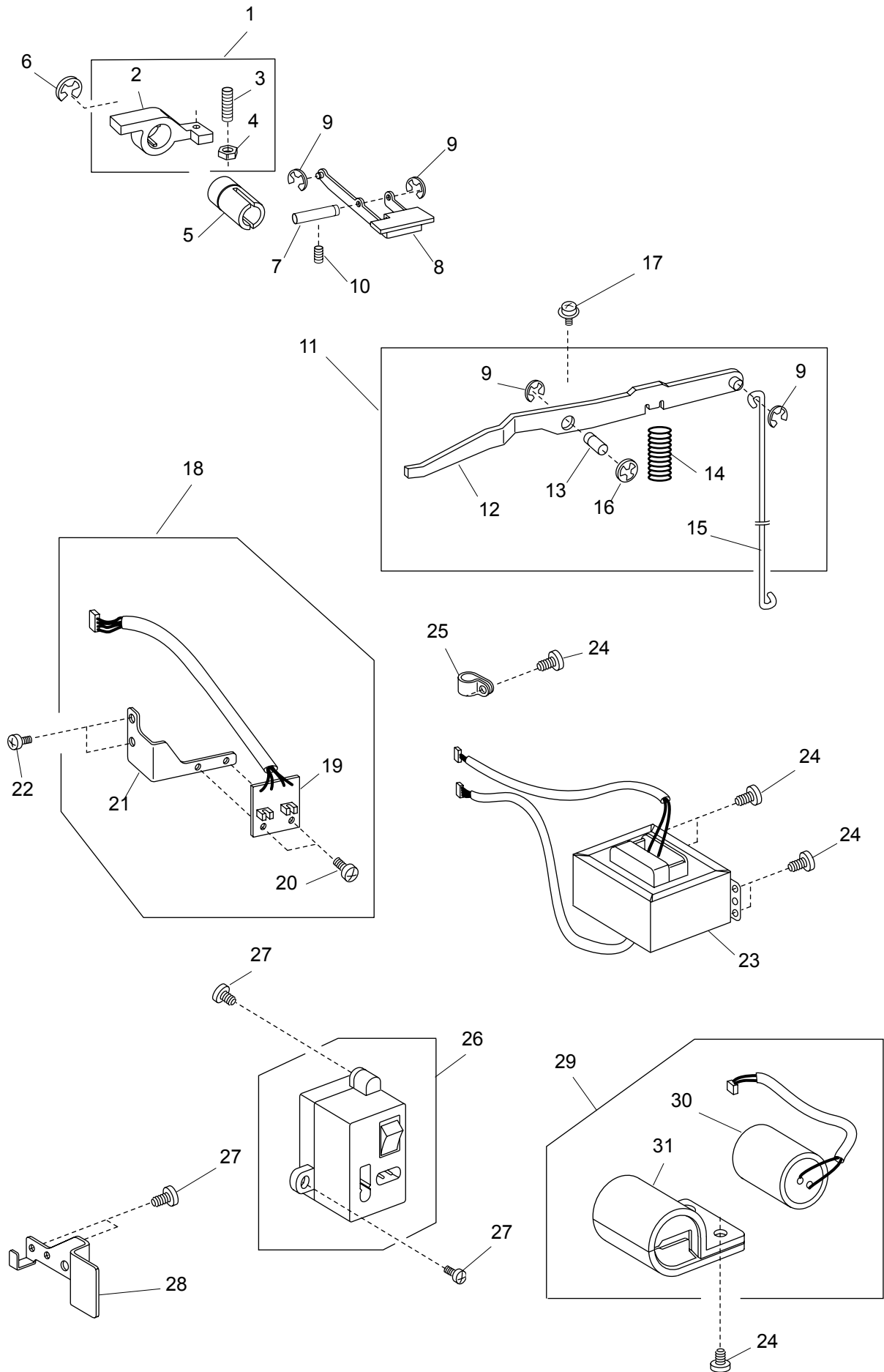




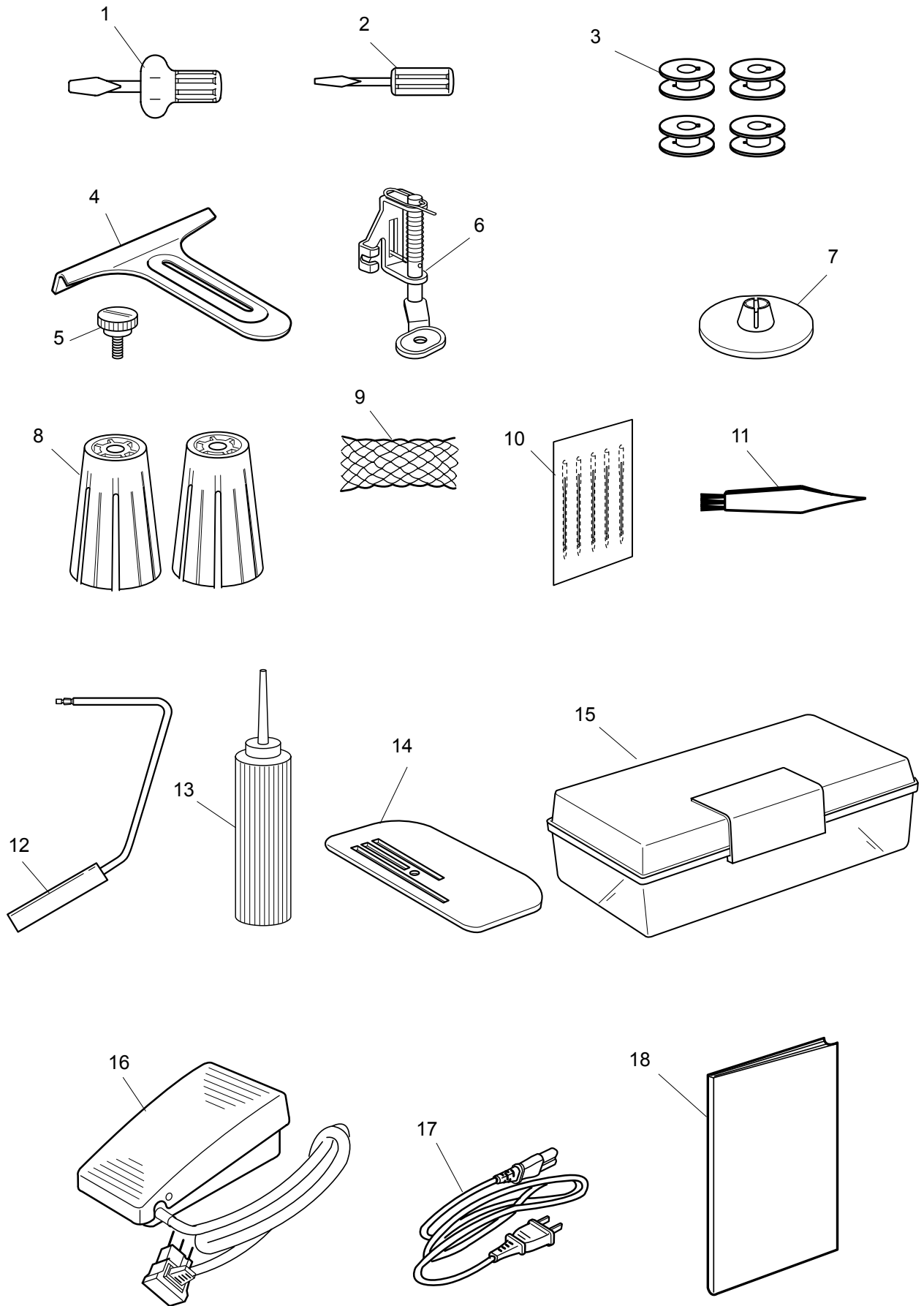
<b>NO.</b>	<b>Part Number</b>	<b>Description</b>
1	4160610-01	Feed lifting cam
2	4160216-01	Hexagonal socket screw 5 X 5
3	4160741-01	Feed link (unit)
4	4160488-01	Snap ring E-7
5	4160175-01	Snap ring E-4
6	4160516-01	TP screw 4 X 12
7	4160740-01	Feed base (unit) (1)
8	4160742-01	Feed base (unit) (2)
9	4160612-01	Feed rock arm
10	4160613-01	Feed rock arm pin
11	4160173-01	Snap ring E-5
12	4160785-01	Felt (2)
13	4160662-01	Felt holder sping
14	4160215-01	Hexagonal socket screw 4 X 4
15	4160627-01	Feed base spring
16	4160628-01	Spring attach plate
17	4160203-01	Setscrew 4 X 6
18	4160614-01	Feed rock shaft
19	4160176-01	Snap ring E-8
20	4160615-01	Bushing (Front)
21	4160540-01	Ring
22	4160616-01	Bushing (Rear)



NO.	Part Number	Description
1	4160764-01	Feed regulator (unit)
2	4160617-01	Feed adjusting arm
3	4160531-01	Bolt 5 X 16
4	4160618-01	Pin
5	4160173-01	Snap ring E-5
6	4160619-01	Feed link
7	4160620-01	Pin
8	4160216-01	Hexagonal socket screw 5 X 5
9	4160638-01	Washer
10	4160765-01	Feed cam (unit)
11	4160621-01	Feed adjusting arm
12	4160639-01	Pin
13	4160622-01	Feed adjusting shaft
14	4160616-01	Bushing (front)
15	4160615-01	Bushing (rear)
16	4160540-01	Lower shaft ring
17	4160623-01	Feed regulator spring
18	4160541-01	Lower shaft ring
19	4160624-01	Feed adjusting arm
20	4160758-01	Thread cutter driving base (unit)
21	4160670-01	Driving arm base plate
22	4160672-01	Driving arm
23	4160671-01	Link
24	4160681-01	Driving arm pin
25	4160175-01	Snap ring E-4
26	4160690-01	Cam spring
27	4160497-01	Thrust washer FT-70
28	4160673-01	Driving lever
29	4160680-01	Thread drawing arm
30	4160203-01	Setscrew 4 X 6
31	4160691-01	Spring
32	4160696-01	Guard plate
33	4160511-01	Setscrew 3.5 X 6
34	4160674-01	Thread tension release arm
35	4160675-01	Thread cutter link
36	4160676-01	Hinge screw (3)
37	4160500-01	Nut 4-1-7
38	4160506-01	Washer 4
39	4160700-01	Limiter plate
40	4160197-01	Setscrew 4 X 8
41	4160677-01	Link
42	4160678-01	Coupling
43	4160501-01	Nut 5-1-8
44	4160510-01	Setscrew 5 X 10
45	4160668-01	Wire joint
46	4160502-01	Nut 5-3-8
47	4160774-01	Thread cutter button (unit)
48	4160712-01	Button (2)
49	4160697-01	Button holder
50	4160547-01	Printed circuit board UD (unit)
51	4160525-01	Setscrew 2.3 X 5 (B)
52	4160759-01	Solenoid (unit)
53	4160766-01	Push-pull solenoid (unit)
54	4160699-01	PP sheet
55	4160682-01	Set plate
56	4160505-01	Washer 5
57	4160683-01	Cushion 2
58	4160504-01	Nut 8-3-13
59	4160220-01	TP screw 5 X 10
60	4160666-01	Plate (2)



<b>NO.</b>	<b>Part Number</b>	<b>Description</b>
1	4160752-01	Knee lifter lever (1) (unit)
2	4160591-01	Knee lifter lever (1)
3	4160530-01	Hexagonal socket screw 5 X 20 (Ball point)
4	4160502-01	Nut 5-3-8
5	4160592-01	Knee lifter shaft
6	4160495-01	Snap ring E-10
7	4160593-01	Shaft
8	4160594-01	Knee lifter lever (2)
9	4160173-01	Snap ring E5
10	4160215-01	Hexagonal socket screw 4 X 4
11	4160772-01	Knee lifter lever (3) (unit)
12	4160795-01	Knee lifter lever
13	4160595-01	Knee lifter lever shaft
14	4160716-01	Knee lifter lever spring
15	4160596-01	Presser foot lifter rod
16	4160490-01	Snap ring CS-6
17	4160519-01	TP Screw 4 X 10
18	4160744-01	Upper shaft sensor (unit)
19	4160787-01	Printed circuit board P (unit)
20	4160208-01	Setscrew 3 X 5
21	4160631-01	Sensor fixing plate
22	4160193-01	Setscrew 3 X 8
23	4160730-01	Transformer (unit) 120V
24	4160197-01	Setscrew 4 X 8
25	4160529-01	Nilon clip
26	4160763-01	Machine socket (unit) 120V
27	4160207-01	Setscrew 4 X 10
28	4160667-01	Cord binder (1)
29	4160762-01	Capacitor (unit)
30	4160731-01	Capacitor (unit)
31	4160693-01	Capacitor case



<b>NO.</b>	<b>Part Number</b>	<b>Description</b>
1	4160422-01	Large screwdriver
2	4160542-01	Small screwdriver
3	4160555-01	Bobbin
4	4160534-01	Cloth guide
5	4160786-01	Thumb screw
6	4160717-01	Darning foot
7	4160784-01	Spool cap
8	4160781-01	Spool holder
9	4160539-01	Net
10	4160777-01	Assorted needle set
11	4160409-01	Lint brush
12	4160797-01	Knee lifter (unit)
13	4160558-01	Oil
14	4160640-01	Darning plate
15	4160535-01	Accessory box
16	4160798-01	Foot control
17	4160544-01	Power supply cord (120V)
18	4129138-26	Instruction book - eng

# PFAFF

© 2005 March  
Copyright VSM Group AB  
All rights reserved

Technische Änderungen vorbehalten  
Subject to alterations in design  
Sous toute réserve de modifications  
techniques  
Salvo modificaciones técnicas  
Con riserva di modifiche tecniche  
Nr. 104 22 55-96