

Expression 2010 - 2048

german engineering

2010, 2014, 2020, 2022, 2023, 2024, 2025, 2026,
2027, 2028, 2029, 2030, 2034, 2036,
2038, 2040, 2042, 2044, 2046, 2048

Ersatzteile-Liste

List of spare parts

Liste des pièces détachées

Catalogo pezzi staccati

Lista de piezas de repuesto

Nicht nummerierte Teile im Katalog werden nicht geliefert.

The parts mentioned without number in the parts list are not available.

Les pièces qui ne sont pas numérotées dans la liste de pièces détachées ne peuvent être livrées.

Pezzi non catalogati non sono disponibili.

Las piezas de repuesto sin número en esta lista no se entregarán.

Bei Bestellung von Ersatzteilen muss die Modell-Nr. der Maschine, die Seitenzahl des Kataloges und die Teilenummer angegeben werden.

Die Verschleißteile-Nummern sind in der Teileliste unterstrichen.

When ordering spare parts, please state the model number, the page number in the catalogue of spare parts and the number of the parts called for.

The wear and tear part numbers are underlined in the parts list.

Prière d'indiquer dans vos commandes de pièces de rechange, le numéro de la machine, le numéro de la page dans la liste des pièces détachées, ainsi que les numéros des pièces commandées.

Les numéros de pièces d'usure sont imprimés soulignés dans la liste des pièces.

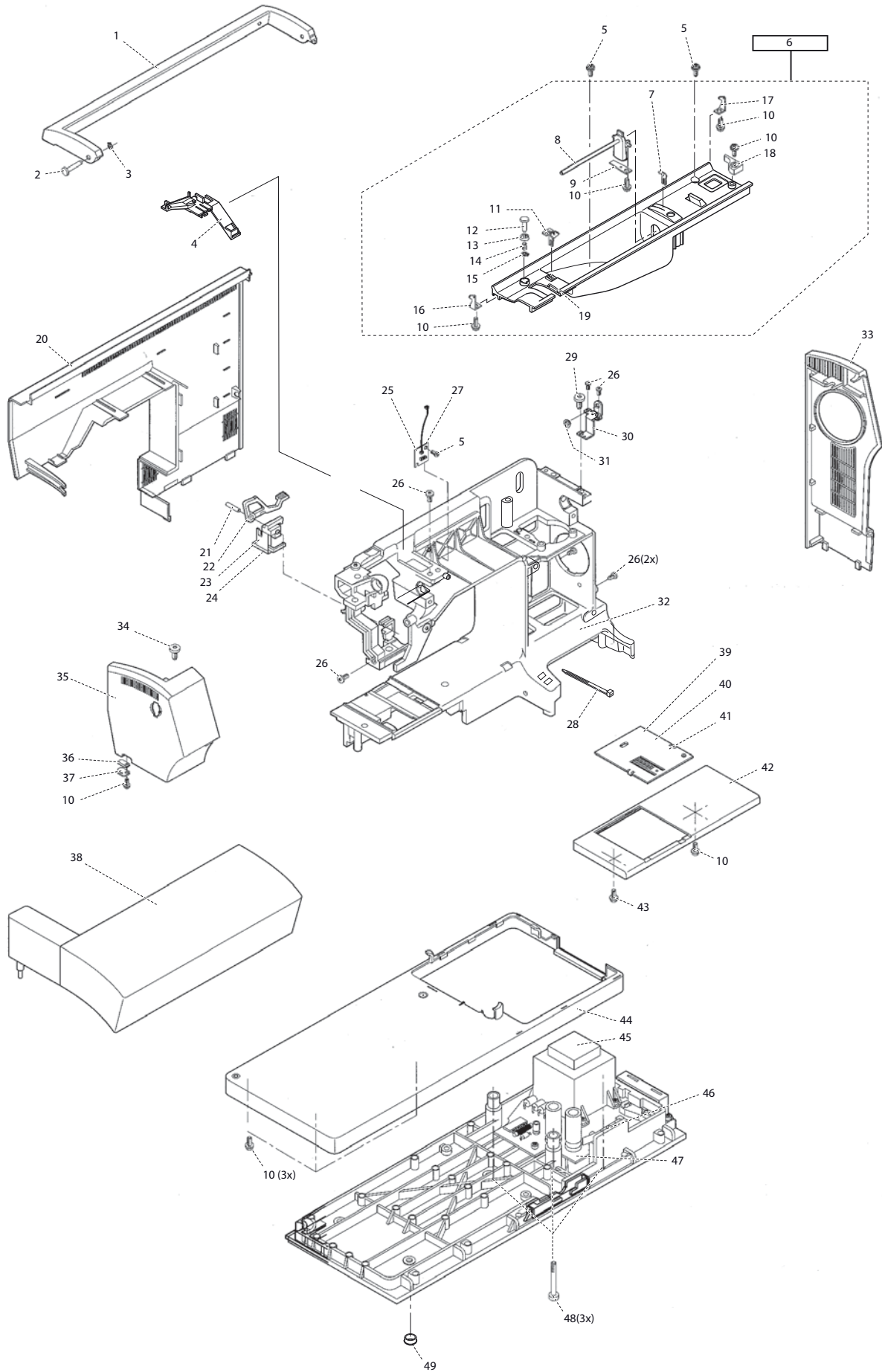
La richiesta dei pezzi di ricambio deve contenere il modello della macchina, la pagina del catalogo e il codice del pezzo.

I codini dei pezzi d'usura sono quelli sottolineati nel catalogo.

Al pedir piezas, sírvanse de indicar el número del modelo de la máquina, la página de la lista de piezas de repuestos y el número de la pieza deseada.

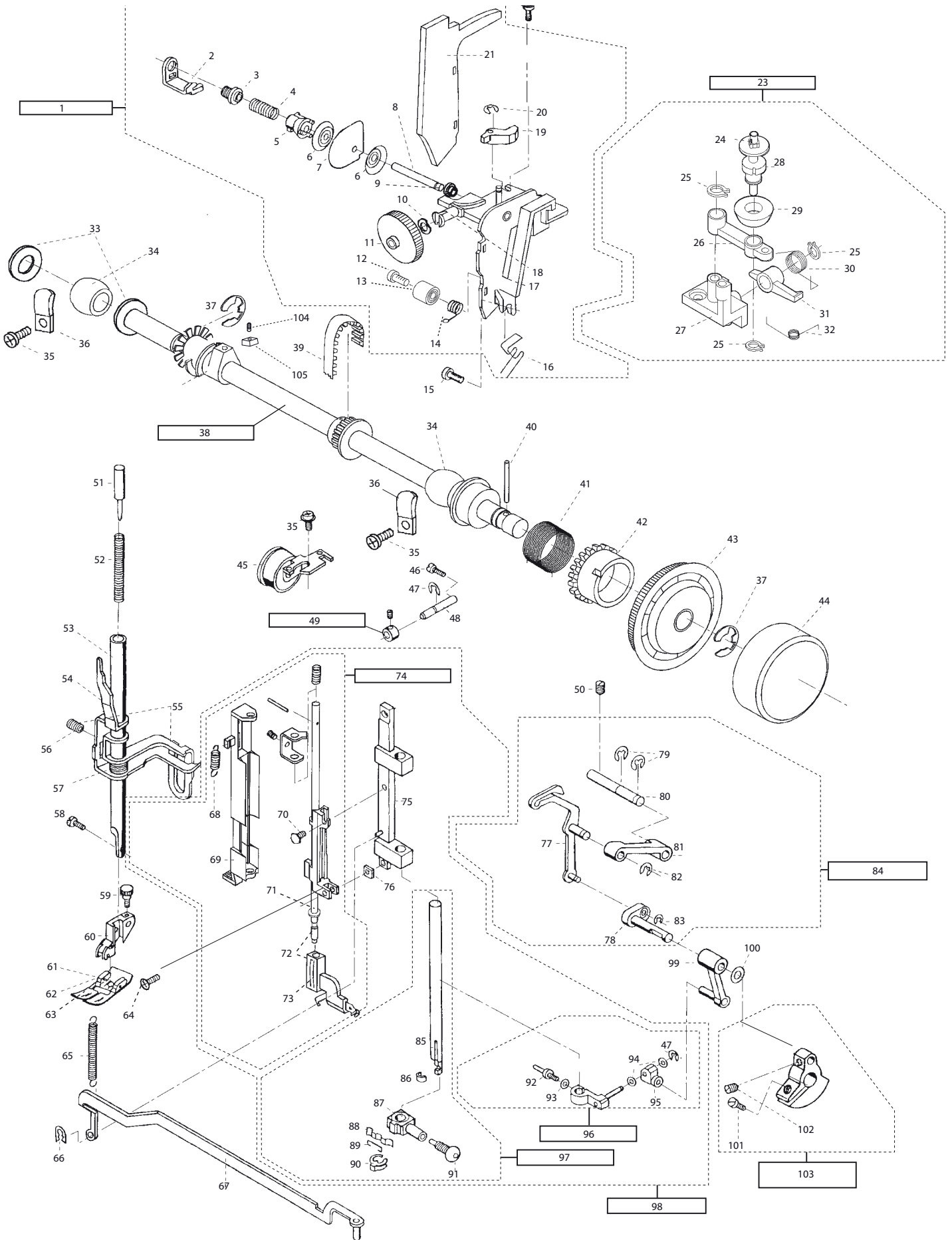
Los números de las piezas de desgaste están subrayadas en la lista.

A



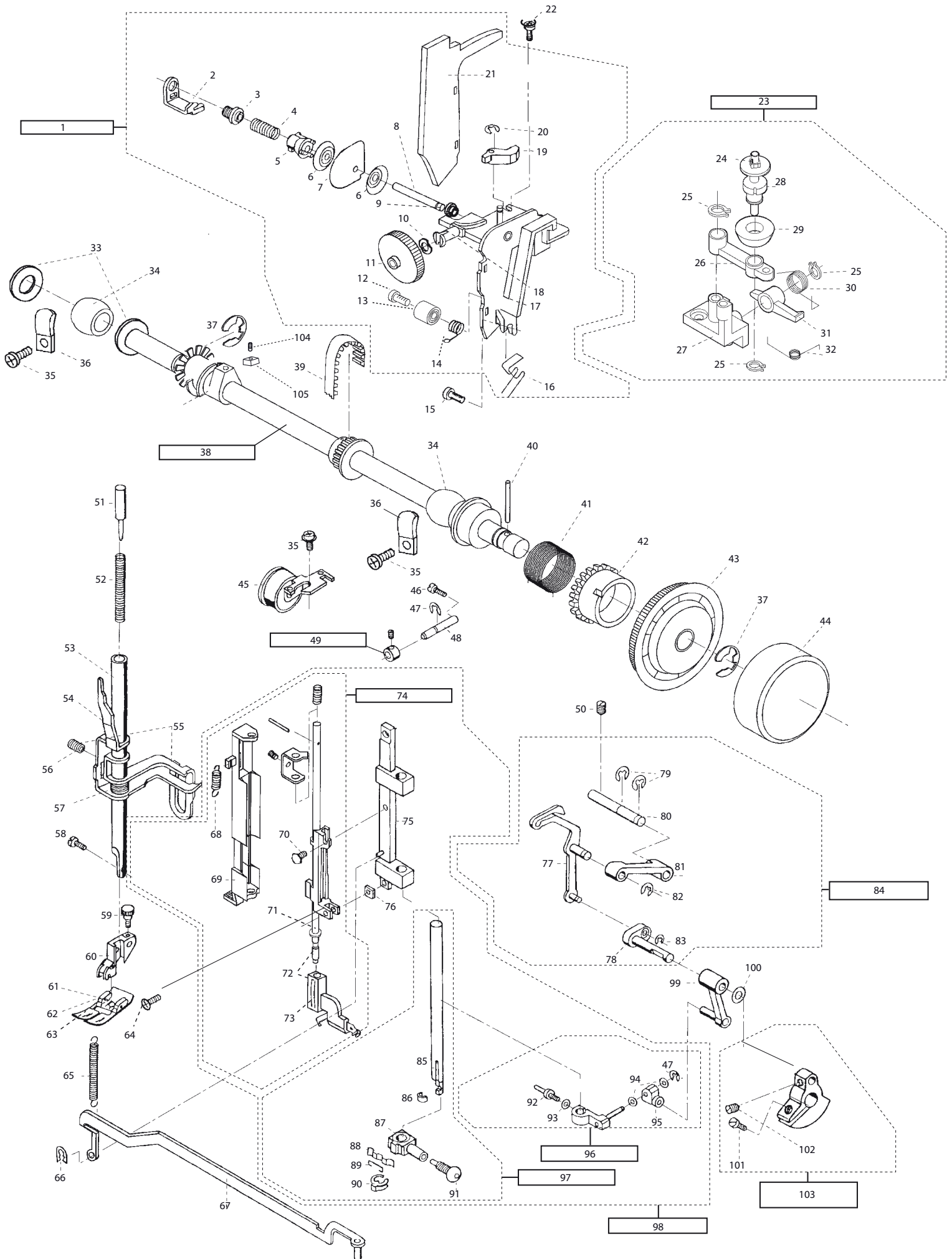
1	412864601	HANDLE
2	9303506615000	SAFETY BOLT
3	735310620	RETAINING WASHER DIN 6799-2,3
4	9232998991000	CABLE GUIDE
5	1172217255000	SCREW PN11722-M4*8
6	412865701	HOUSING INSERT CPL.
7	9303305725000	THREAD GUIDE
8	9303305244000	SPOOL PIN
9	9303305405000	SPRING
10	9303311855000	SCREW 3*8
11	9303805225000	THREAD GUIDE
12	9303017435000	THREAD GUIDE PIN
13	9303205025000	THREAD GUIDE
14	9304006005000	HELICAL COMPRESSION SPRING
15	1261814045000	GRIP RING PN12618-3,5
16	9303805505000	BRACKET LEFT
17	9303805405000	BRACKET RIGHT
18	9303805344000	STOP
19	412865801	WIRE CLAMP 2056
20	9303836143000	REAR COVER PRINTED
21	9303814005000	BOLT (FOR FOOT LIFTER)
22	9303814144000	FOOT LIFTER
23	9303814345000	RECEIVER UPPER PART
24	9303814245000	RECEIVER LOWER PART
25	9233011791000	PCB-IMPULSER CPL. TRIPLE 2025,2026,2027,2030, 2034,2036,2038,2040, 2042,2044,2046
26	9303808455000	SHOULDER SCREW
27	9232998691000	PCB-IMPULSER CPL.DOUBLE 2010,2014,2020,2022,2024
28	412619701	CABLE CLIP - STANDARD 2,5*98
29	1172222355002	SCREW PN11722-M5*10
30	9303806655000	BRACKET
31	9303311345000	SLEEVE
32	9303800291000	HOUSING WITH BUSH CPL.
33	9303808543000	MOTOR COVER
34	1119090515004	SCREW D7985-M5*10-Z1
35	412916603	HEAD COVER PRINTED
36	9303227205000	KNIFE
37	416329001	KNIFE COVER
38	9303807591000	SWIVEL TABLE CPL.
39	9303991035000	NEEDLE PLATE 2038,2048
40	9303890935000	NEEDLE PLATE 2010,2014,2020,2022,2024
41	9303891035000	NEEDLE PLATE 2025,2026,2027,2028,2029,2030,2034,2036,2040,2042,2044,2046
42	9303803543000	FREE ARM COVER
43	9303733855000	SCREW
44	9303804170000	COVER (FOR BASE PLATE)
45	9232996891000	TRANSFORMER 1-4
46	9232960805000	PUSH-ON SPRING
47	9303837191000	BASEPLATE POWER SUPPLY
48	9303804255000	SCREW
49	9304112245000	FOOT

B



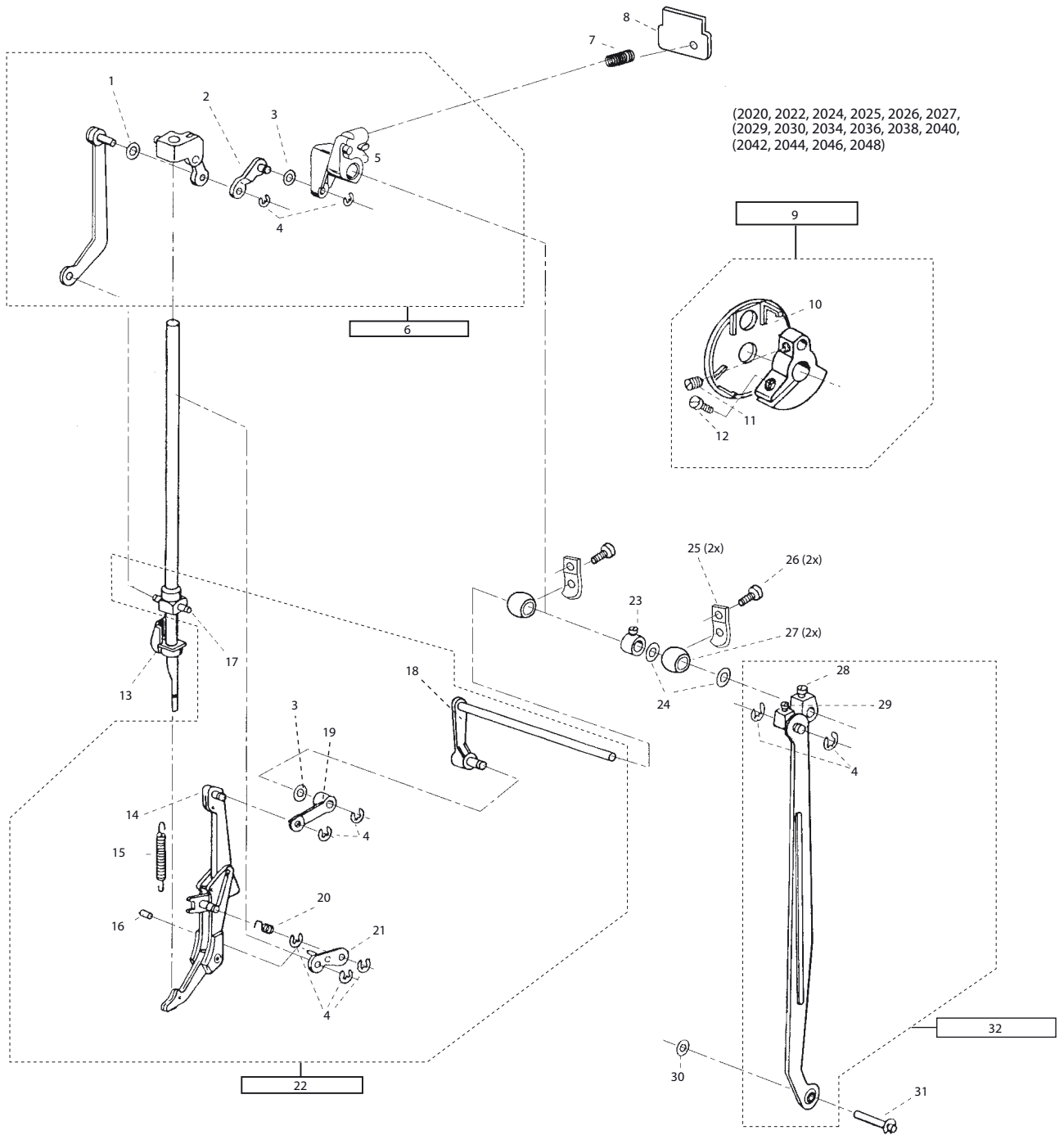
1	9303825091000	THREAD TENSION CPL.
2	9303557515000	GUIDE
3	9303557615000	REGULATING SLEEVE
4	9303758105000	COMPRESSION SPRING
5	9303557745000	TRANSMITTING PIECE
6	N/S	TENSION DISK
7	9303658225000	THREAD TENSION DISK, OUTER
8	9303757405000	GUIDE BOLT
9	9303754345000	BEARING
10	1237000205000	WASHER DIN 6799-8
11	9303825444000	DIAL PLATE PRINTED
12	1172324455000	SCREW PN11723-CE-M3*12
13	9303558645000	BUFFER SLEEVE
14	9303558705000	THREAD CHECK SPRING
15	1172217255000	SCREW PN11722-M4*8
16	9303754505000	THREAD GUIDE
17	9303825344000	BRACKET
18	9303358045000	BEARING FOR TENSION DIAL
19	9303558445000	TENSION RELEASE LEVER
20	1261812045000	GRIP RING PN12618-3
21	9303825143000	CAP
22	1172217225900	SCREW PN11722-M4*8 WITH DISK
23	9303813091000	BOBBIN BASE CPL.
24	1305298615000	TIGHTENING PIN ISO 8750-1*5
25	1261819045000	GRIP RING PN12618-6
26	9303813205000	BOBBIN JOINT
27	9303813105000	BOBBIN BASE
28	412877101	BOBBINWINDERSPINNLECPL.
29	9310181505000	BOBBIN WINDER
		FRICITION RING
30	9303813505000	TORSION SPRING
31	9303813405000	LATCH
32	9303813605000	TORSION SPRING
33	9303811805000	WASHER
34	9303811305000	CAP BEARING
35	1172222355002	SCREW PN11722-M5*10
36	9303810105000	CLAMP STRAP
37	1264021055000	RETAINING WASHER DIN 6799-8
38	9303810691000	ARM SHAFT WITH CROWN WHEEL
39	9303810405000	TOOTHED BELT
40	1307103455000	SLOTTED PIN ISO 8742- 3*24
41	9303811405000	TORSION SPRING
42	9303811145000	SLEEVE
43	9303812291000	BELT PULLEY
44	9303812944000	HAND WHEEL
45	9303611591000	TENSION ROLL WITH BRACKET
46	N/S	SCREW N11193-B-M3*7
47	1264013055000	RETAINING WASHER DIN 6799-3,2
48	9303518505000	BOLT
49	9303518611000	COLLAR CPL.
50	1131722325000	SET SCREW ISO 4766-M5*10
51	9304020715000	PRESSURE PIN

B

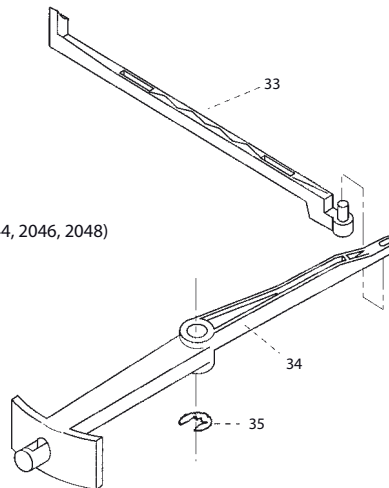


52	N/S	COMPRESSION SPRING
53	N/S	
54	9303619815000	LEVER
55	9303656291000	GUIDE
56	1131591705000	SET SCREW PH 11315-B-M6*0,75*6
57	9303519905000	HELICAL COMPRESSION SPRING
58	9303619615000	SCREW
59	9869488900000	SCREW
60	N/S	
61	820258096	ZIGZAG SEWING FOOT CPL.2010,2014
62	820250096	ZIGZAG SEWING FOOT CPL. 2020,2046
63	820773096	STANDARD PRESSER FOOT W. IDT 2038,2048
64	9303610915000	RAISED CHEESE HEAD SCREW
65	9304065405000	TENSION SPRING
66	9304018415000	BENZING-CLIP U93
67	9303814791000	ROD
67	9303914791000	CONNECTION CPL.
68	9303616605000	TENSION SPRING
69	9303817045000	NEEDLE THREADER KEY
70	N/S	SCREW ISO 4017-M3*5
71	9303634845000	BUFFER DISK
72	9303816791000	NEEDLE THREADER HOLDER CPL. WITH AXLE
73	9303818091000	NEEDLE THREADER HOLDER CPL.
74	9303816591000	NEEDLE THREADER CPL.
75	9303614691000	PENDULUM CPL. (FOR THE NEEDLE BAR)
76	1209090105000	NUT M3 DIN 562
77	9303613291000	TAKE-UP LEVER CPL.
78	9303513791000	CRANK BOLT, FINISHED
79	1264017055000	RETAINING WASHER DIN 6799-5
80	9303514105000	BOLT
81	9303514045000	FLOATING LEVER
82	1264015055000	RETAINING WASHER DIN 6799-4
83	735310620	LOCK WASHER 2.3
84	9303810291000	THREAD TAKE-UP LEVER WITH ROCKING ARM
85	9303412605000	NEEDLE BAR
86	9303412805000	TRANSMITTING PIECE
87	9303412715000	NEEDLE CLAMP
88	9303413125000	THREAD GUIDE
89	9303413305000	THREAD RETAINER
90	9303413015000	NEEDLE HOLDER CLIP
91	930341291500 0	NEEDLE HOLDER SCREW CPL.
92	9303615215000	CLAMPING BOLT TO CROSSHEAD
93	9303615515000	WASHER
94	9303515505000	THRUST WASHER
95	9303515105000	JOINT PIECE
96	9303615091000	CROSS HEAD CPL.
97	9303670171000	NEEDLE BAR CPL.
98	9303816691000	PENDULUM WITH NEEDLE THREADER (AND NEEDLE BAR CPL.)
99	9303512991000	CONNECTING ROD CPL.
100	9303512805000	THRUST WASHER
101	N/S	SCREW PN11726-M5*16
102	1131593305000	SET SCREW PH 11315-B-M6*0,75*5
103	9303811691000	CRANK CPL. 2010,2014

C

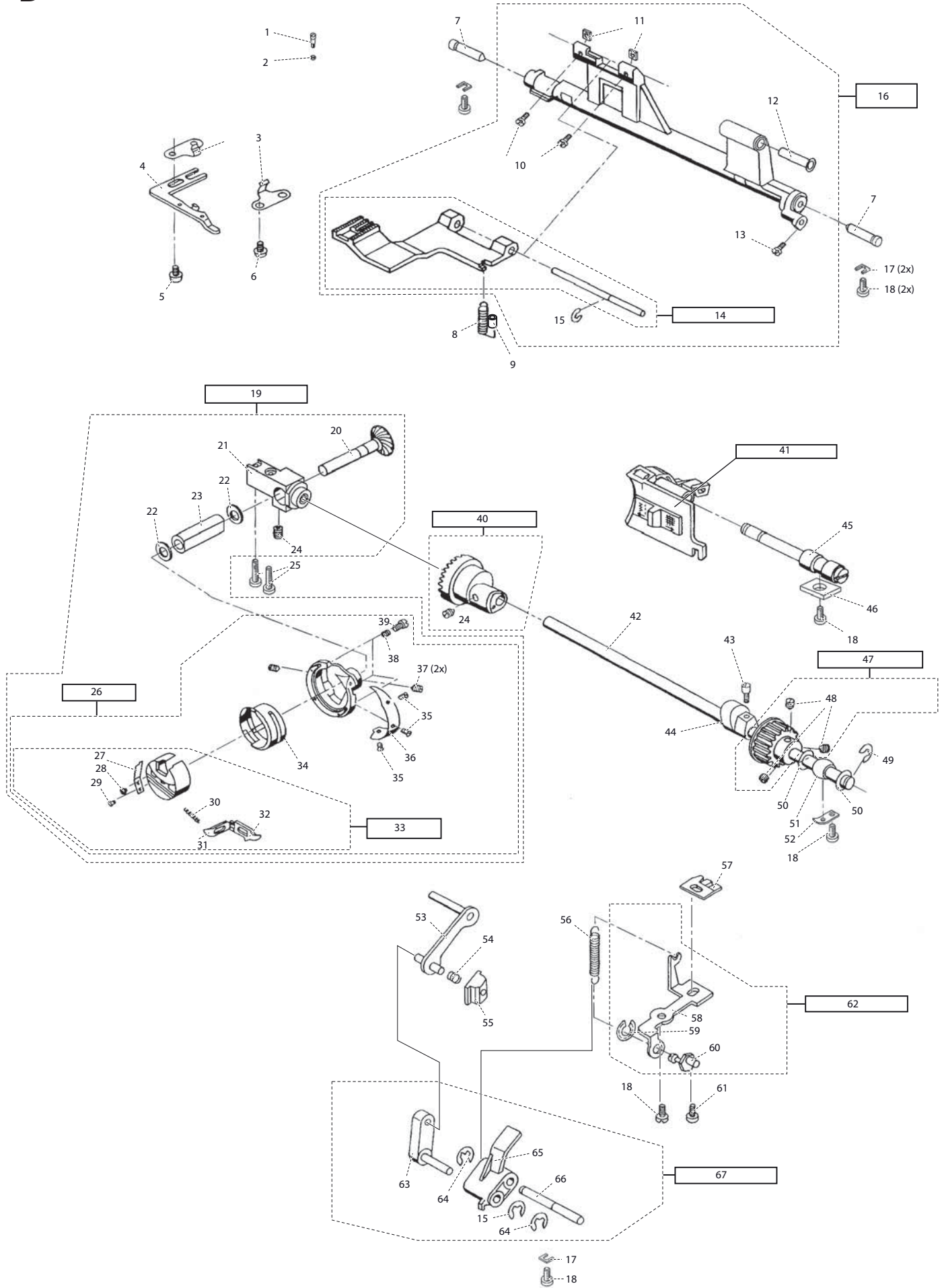


(2030, 2034, 2036, 2038, 2040, 2042, 2044, 2046, 2048)



1	1236900105000	WASHER 4,6*6,7 PH12369
2	9303620601000	CONNECTING ROD CPL.
3	9303634845000	BUFFER DISK
4	1264013055000	RETAINING WASHER DIN 6799-3,2
5	9303621291000	FLOATING LEVER CPL.
6	9303620591000	LIFTING GEAR CPL.
7	9303620905000	HELICAL COMPRESSION SPRING
8	9303813715000	PLATE
9	9303811591000	CRANK WITH FEED LIFTING
10	9303620445000	FEED LIFTING
11	1131593305000	SET SCREW PH 11315-B- M6*0,75*5
12	N/S	SCREW PN11726-M5*16
13	9303625891000	GUIDE CPL.
14	9303623091000	TOP FEED LEVER WITH FOOT CPL.
15	9303624015000	TENSION SPRING
16	9303625345000	HOSE
17	9303625705000	CROSS HEAD
18	9303622791000	SHEAR SHAFT WITH CRANK
19	9303622505000	JOINT
20	9303624405000	TORSION SPRING
21	9303624991000	JOINT CPL.
22	9303621791000	SHEAR GEAR CPL.
23	9303629791000	COLLAR CPL.
24	9303530605000	THRUST WASHER
25	9303831105000	CLAMP STRAP
26	1172217255000	SCREW PN11722-M4*8
27	9303831405000	CUP BEARING
28	1119390205000	SCREW AM4*5,5 N11193
29	N/S	PAN HEAD SCREW WITH CRANK
30	9303634745000	DISTANCE WASHER
31	9304029491000	BOLT CPL.
32	9303628591000	CONNECTING ROD WITH CRANK
33	9303832445000	SLIDER
34	9303832545000	LEVER
35	1261817045000	GRIP RING PN12618-5

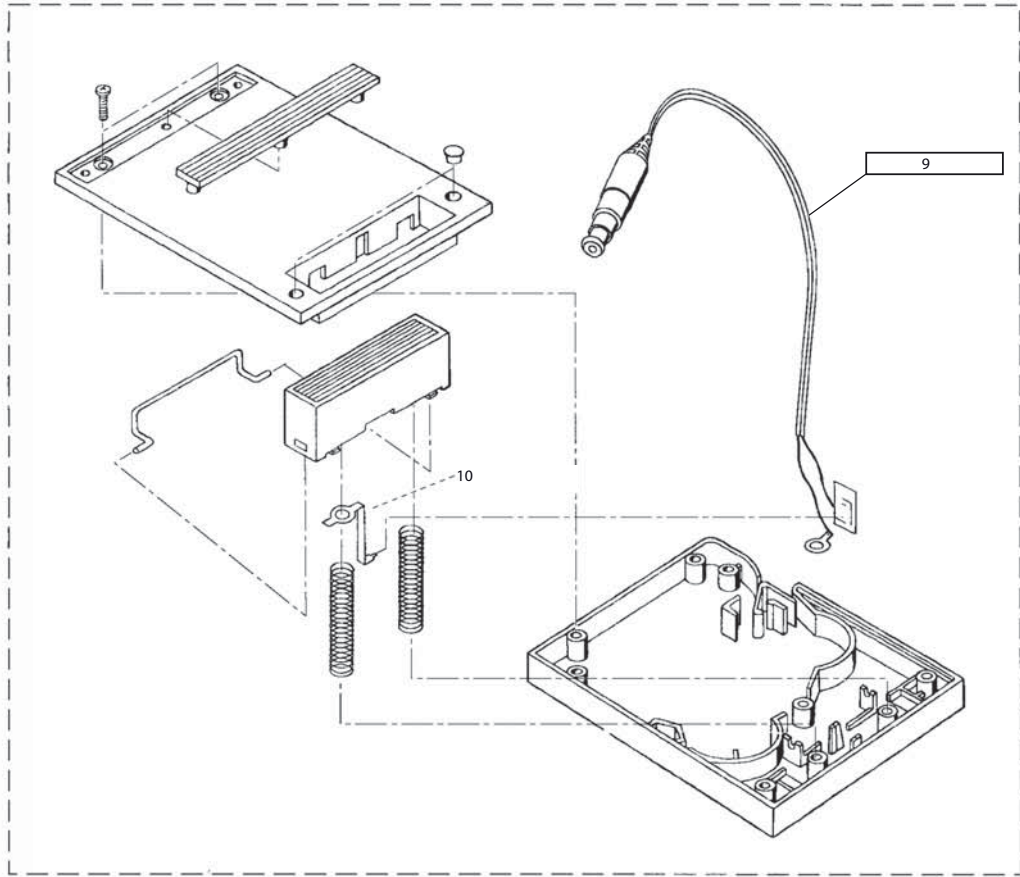
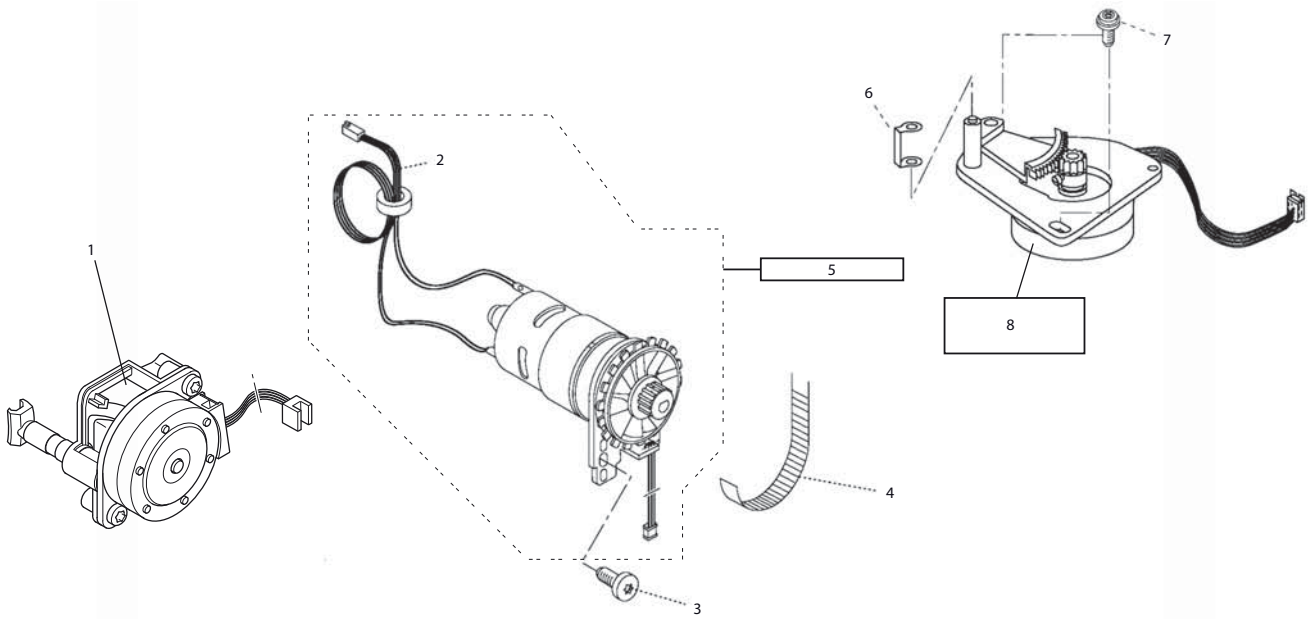
D



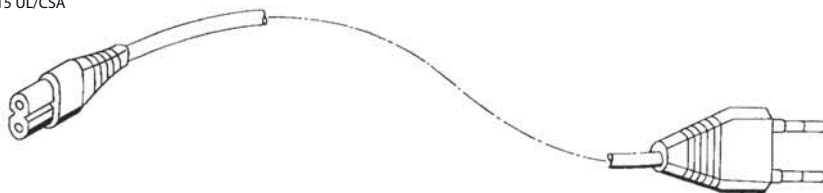
D

1	9303508815000	EXCENTRIC BOLT	50	9303831305000	THRUST WASHER
2	1200000155000	NUT ISO 10511-M3	51	9303831405000	CUP BEARING
3	9303508715000	PLATE SPRING	52	9303831105000	CLAMP STRAP
4	9303531491000	BOBBIN CASE POSITION FINGER	53	9303634991000	CONNECTING ROD CPL.
5	1172217255000	SCREW PN11722-M4*8	54	9303635405000	HELICAL COMPRESSION SPRING
6	1172143255002	SCREW D7500-BE-M4*6	55	9303835945000	SLIDING BLOCK
7	N/S	CENTRE BOLT	56	9303636005000	TENSION SPRING
8	9303534705000	TENSION SPRING	57	9303636105000	CLAMP SPRING
9	9303833745000	BUSH	58	N/S	ANGULAR BRACKET
10	N/S	SCREW N11193-B-M3*7	59	N/S	WASHER PH12630-4
11	1209090105000	NUT M3 DIN 562	60	9303636405000	SETTING ECCENTRIC
12	N/S	BEARING BUSHING	61	117222355002	SCREW PN11722-M5*10
13	N/S	PAN HEAD SCREW WITH CRANK 2020,2046	62	9303636291000	ANGULAR BRACKET CPL.
14	9303634491000	FEEDER CPL.	63	9303635891000	GUIDE CPL.
15	1264013055000	RETAINING WASHER DIN 6799-3,2	64	1264015055000	RETAINING WASHER DIN 6799-4
16	N/S	SHEAR SHAFT CPL.2038,2048	65	9303635645000	CAM LEVER
	9303833091000	SHEAR SHAFT CPL.2010,2014	66	9303834905000	BEARING BOLT
	9303833091000	SHEAR SHAFT CPL.2020,2046	67	9303834891000	CAM LEVER CPL.
17	9303833605000	CLAMPING PLATE			
18	1172217855002	SCREW PN11722-M4*12			
19	N/S	HOOK BEARING CPL.			
20	9303530491000	BEVEL WHEEL, DRIVEN			
21	N/S	HOOK BEARING BRACKET			
22	9303530605000	THRUST WASHER			
23	9303830505000	BEARING BUSHING			
24	1131593305000	SET SCREW PH 11315-B-	M6*0,75*5		
25	1172350355002	SCREW PN11723-C-M4*20			
26	412747003	HOOK CPL.			
27	412748601	PLATE SPRING			
28	412749001	ADJUSTION SCREW			
29	412749101	RAISED COUNTERSUNK HEAD SCREW			
30	412748901	HELICAL COMPRESSION SPRING			
31	N/S	BOBBIN CASE LATCH			
32	412748701	BOBBIN CASE BOLT			
33	412748401	BOBBIN CASE CPL.			
34	412748001	BOBBIN CASE BRACKET CPL.			
35	N/S	RAISED COUNTERSUNK HEAD SCREW			
36	412747501	THREAD PULLING CAM			
37	412747901	SET SCREW			
38	412747601	HELICAL COMPRESSION SPRING			
39	412747701	PAN HEAD SCREW WITH SHOULDER			
40	9303922591000	BEVEL GEAR, DRIVING			
41	9303832091000	LIFTING LEVER CPL.			
42	9303831205000	HOOK DRIVE SHAFT			
43	9303638105000	TRUNNION SCREW			
44	9303638245000	SLIDING ECCENTRIC			
45	9303632305000	ECCENTRIC BOLT			
46	9303263305000	WASHER			
47	9303711891000	STUDDERED DISK BELOW			
48	N/S	SET SCREW PH 11315-B-	M6*0,75*3,5		
49	1264019055000	RETAINING WASHER DIN 6799-6			

E

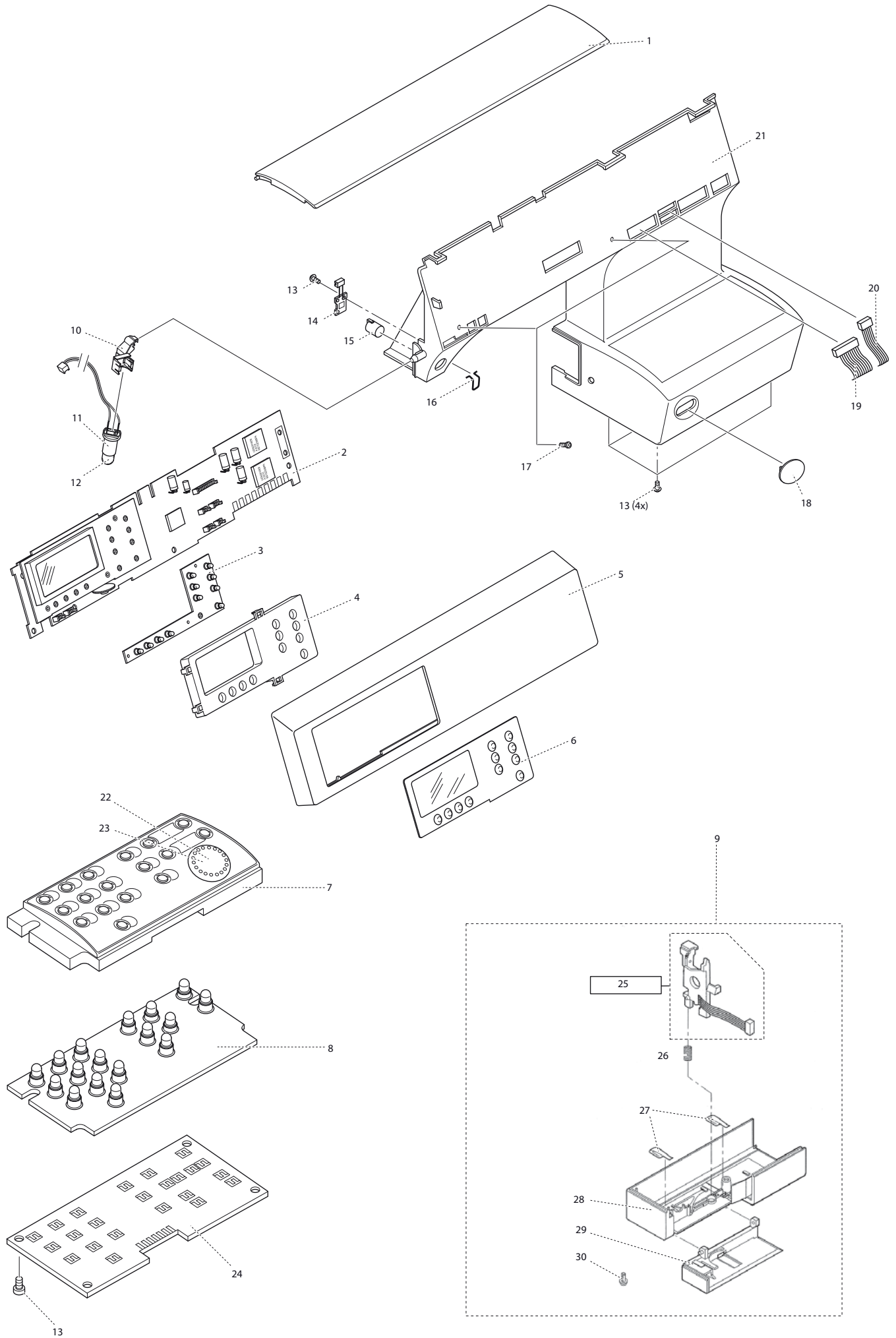


- 12 SSA
- 13 BEAB
- 14 VDE
- 15 UL/CSA



1	9232987591001	FEED STEP MOTOR 2010/2020
2	9233021391000	MOTOR CABLE
3	1172222355002	SCREW PN11722-M5*10
4	9303910805000	TOOTHED BELT
5	9303842391000	MOTOR CPL.
6	9303814905000	FRAME SPRING
7	1172217855002	SCREW PN11722-M4*12
8	9232987491001	STEP MOTOR 2124,2010,2040
8	9233024491001	STEP MOTOR CPL. 9MM 2048
9	9233027591000	FOOT CONTROL CABLE CPL.
10	9232246291000	CONTACT SPRING
11	413226501	FOOT CONTROLLER AT 0070
12	412158102	CONNECTING CABLE PH 73327-SAA
13	7033277414000	CONNECT. CABLE PH 73327-A3-G BEAB
14	412157801	CONNECT. CABLE PH 73327-220V VDE
15	412157903	US CABLE RAL 7035 UL/CSA

F



1	9303806743000	ARM COVER CPL. 2010
1	N/S	ARM COVER CPL. 2014
1	9303806843000	ARM COVER CPL. 2020
1	N/S	ARM COVER CPL. 2022
1	N/S	ARM COVER CPL.2023
1	N/S	ARM COVER CPL. 2024
1	9303858843000	ARM COVER CPL. 2025
1	9303863143000	ARM COVER CPL. 2026
1	412904001	ARM COVER CPL. 2027
1	N/S	ARM COVER CPL. 2028
1	412923701	ARM COVER CPL. 2029
1	9303806943000	ARM COVER CPL. 2030
1	9303855843000	ARM COVER CPL. 2034
1	9303863243000	ARM COVER CPL. 2036
1	412973002	ARM COVER CPL. 2038
1	9303807043000	ARM COVER CPL. 2040
1	N/S	ARM COVER CPL. 2042
1	9303855943000	ARM COVER CPL. 2044
1	9303823043000	ARM COVER CPL. 2046
1	412973001	ARM COVER CPL. 2048
2	9232993191000	2010,2014,2020,2022
2	413041001	PCB CPL. 2023
2	9303851191000	PCB CPL. 2024
2	9303894191000	PCB CPL. 2025
2	9303894291000	PCB CPL. 2026
2	412903901	PCB CPL. 2027
2	413013401	PCB CPL. 2028
2	412923601	PCB CPL. 2029
2	9233010191000	PCB CPL. 2030,2034,2040,2044
2	412973404	PCB CPL. 2036
2	412973402	PCB CPL. 2038
2	N/S	PCB CPL. 2042
2	412973403	PCB CPL. 2046
2	412973401	PCB CPL. 2048
3	9303846705000	KEY PAD CONTROL PANEL 2010,2014,2020,2022,2023,2024,2025,2026,2027,2028,2029
3	9303846805000	KEY PAD CONTROL PANEL 2034,2036,2038,2044,2046,2048
4	9303847243000	HOLDER FRAME 2014,2022,2023,2024,2025,2026,2027,2028,2029
4	9303847343000	HOLDER FRAME 2034,2036,2038,2044,2046,2048
5	9303820077000	FRONT COVER WITH PRINT 2010
5	N/S	FRONT COVER WITH PRINT 2014
5	9303820278000	FRONT COVER WITH PRINT 2020
5	9303828243000	FRONT COVER WITH PRINT 2022
5	412972404	FRONT COVER WITH PRINT 2023
5	9303852243000	FRONT COVER WITH PRINT 2024
5	9303859143000	FRONT COVER WITH PRINT 2025
5	9303863743000	FRONT COVER WITH PRINT 2026
5	412904601	FRONT COVER WITH PRINT 2027
5	412972403	FRONT COVER WITH PRINT 2028
5	412924301	FRONT COVER WITH PRINT 2029
5	9303820479000	FRONT COVER WITH PRINT 2030
5	9303852443000	FRONT COVER WITH PRINT 2034
5	9303863943000	FRONT COVER WITH PRINT 2036

PFAFF Expression 2010 - 2048

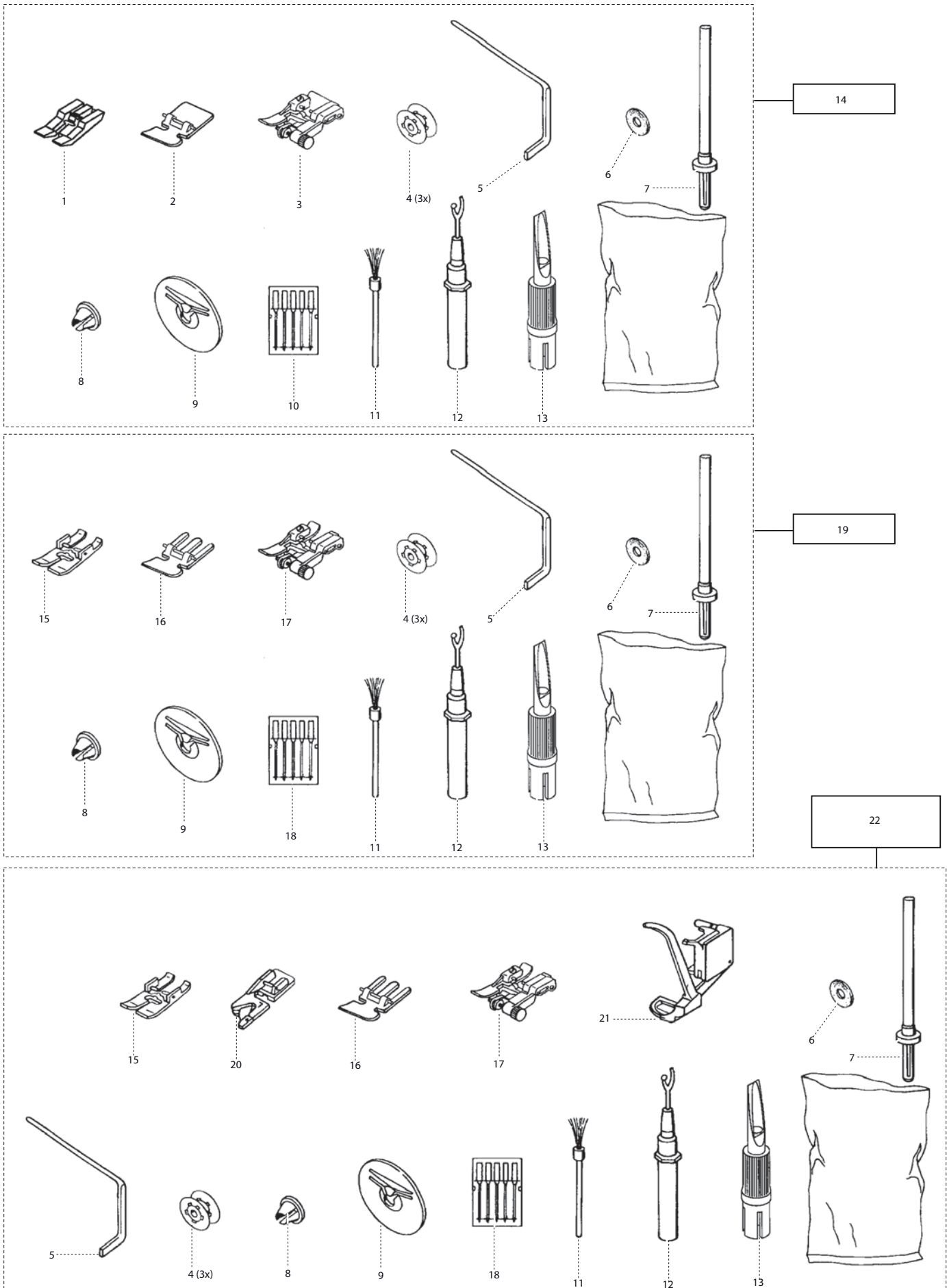
F

5	412972402	FRONT COVER WITH PRINT 2038
5	N/S	FRONT COVER WITH PRINT 2040
5	9303821081000	FRONT COVER WITH PRINT 2042
5	N/S	FRONT COVER WITH PRINT 2044
5	9303822243000	FRONT COVER WITH PRINT 2046
5	412972401	FRONT COVER WITH PRINT 2048
6	9232949745000	CONTROL PANEL 2010
6	N/S	CONTROL PANEL 2014
6	9232949755000	CONTROL PANEL 2020
6	N/S	CONTROL PANEL 2022
6	413045101	CONTROL PANEL 2023
6	9303853443000	CONTROL PANEL 2024
6	9303859343000	CONTROL PANEL 2025
6	9303864143000	CONTROL PANEL 2026
6	412905001	CONTROL PANEL 2027
6	413013201	CONTROL PANEL 2028
6	412924701	CONTROL PANEL 2029
6	9232949845000	CONTROL PANEL 2030
6	9303853643000	CONTROL PANEL 2034
6	9303864343000	CONTROL PANEL 2036
6	412973302	CONTROL PANEL 2038
6	N/S	CONTROL PANEL 2040
6	9232949881000	CONTROL PANEL 2042
6	9303853843000	CONTROL PANEL 2044
6	N/S	CONTROL PANEL 2046
6	N/S	CONTROL PANEL 2048
7	9232991405000	CONTROL PANEL 2010,2020
7	N/S	CONTROL PANEL 2014
7	N/S	CONTROL PANEL 2022
7	413045001	CONTROL PANEL 2023
7	9303844243000	CONTROL PANEL 2024
7	9303859543000	CONTROL PANEL 2025
7	N/S	CONTROL PANEL 2026
7	N/S	CONTROL PANEL 2027
7	N/S	CONTROL PANEL 2028
7	N/S	CONTROL PANEL 2029
7	N/S	CONTROL PANEL 2030
7	9303841243000	CONTROL PANEL 2034
7	9303864743000	CONTROL PANEL 2036
7	412971401	CONTROL PANEL 2038
7	9232991645000	CONTROL PANEL 2040,2042
7	9303841343000	CONTROL PANEL 2044,2046
7	412973201	CONTROL PANEL 2048
8	N/S	KEYPAD PROGRAM PANEL 2010,2020
8	9303840005000	KEYPAD PRGRAM PANEL 2014,2022,2023,2024,2025,2026,2027,2028,2029
8	9232995795000	KEYPAD PROGRAM PANEL 2030
8	9303840105000	KEYPAD PROGRAM PANEL 2034,2036,2038
8	N/S	KEYPAD PROGRAM PANEL 2040,2042
8	9303840205000	KEYPAD PROGRAM PANEL 2044,2046,2048
9	9303803091000	FREE ARM COVER CPL. 2010,2014,2020,2022,2023,2024,2025,2026,2027,2028,2029
9	9303802991000	FREE ARM COVER CPL. 2030,2034,2036,2038

9	9233015691000	FREE ARM COVER CPL. 2040,2042,2044,2046,2048
10	412823501	LAMP HOLDER 2054
11	412919601	SEWING LAMP NV CPL.
12	9232997505000	LAMP BAJONETT 12V, 15W
13	9303311855000	SCREW
14	9232987991000	PCB REVERSE BUTTON 20XX-SERIE
15	9232987745000	BACKWARDKEY
16	9303758805000	BOW
17	411966820	SCREW 30*10 FZB KOMBITORX
18	9303809243000	FLAP 2010,2014,2020,2022,2024,2025,2026,2027,2029
19	9233010391000	RIBBON CABLE
20	9233010991000	RIBBON CABLE
21	9303843043000	FRONT CASE
22	9303843691000	SELECTION WHEEL CPL. 2044
23	N/S	
24	9232994091000	BED PLATE
25	N/S	2025,2026,2027,2029,2030,2034,2036,2038,2040,2042,2044,2046,2048
26	9232899805000	SPRING 2025,2026,2027,2029,2030,2034,2036,2038,2040,2042,2044,2046,2048
27	9303503315000	HINGE SPRING
28	9303803243000	FREE ARM COVER
29	9303803143000	FREE ARM COVER
30	1172217255000	SCREW

G

Sonderzubehör, Special accessories, Accessoires spéciaux, Accessori fuori corredo, accesorios especiales



1	N/S	CLEAR-VIEW FOOT
2	N/S	ZIPPER FOOT
3	N/S	BLIND-STITCH FOOT CPL.
4	820779096	BOBBIN
5	820251096	EDGE GUIDE
6	9303306405000	FELT WASHER
7	9303306344000	SPOOL PIN
8	9303604844000	THREAD PULL-OFF DISK
9	9303604944000	THREAD PULL-OFF DISK
10	N/S	
11	401555501	SOFT BRUSH
12	401539901	CUTTER
13	N/S	LAMP CHANGER CPL.
14	9303890091000	ACCESSORY CPL. 2010,2014
15	820253096	FANCY STITCH FOOT CPL.
16	820248096	ZIPPER FOOT CPL.
17	820256096	BLIND-STITCH FOOT CPL.
18	N/S	NEEDLE SYSTEM 130/705 H,BOX OF 5
19	N/S	ACCESSORY CPL. 2025,2027,2029
20	820249096	ROLL HEMMER FOOT
21	820243096	DARNING FOOT CPL.
22	9303890191000	ACCESSORY CPL. 2020,2024,2026,2030,2034,2036,2040,2042,2044,2046

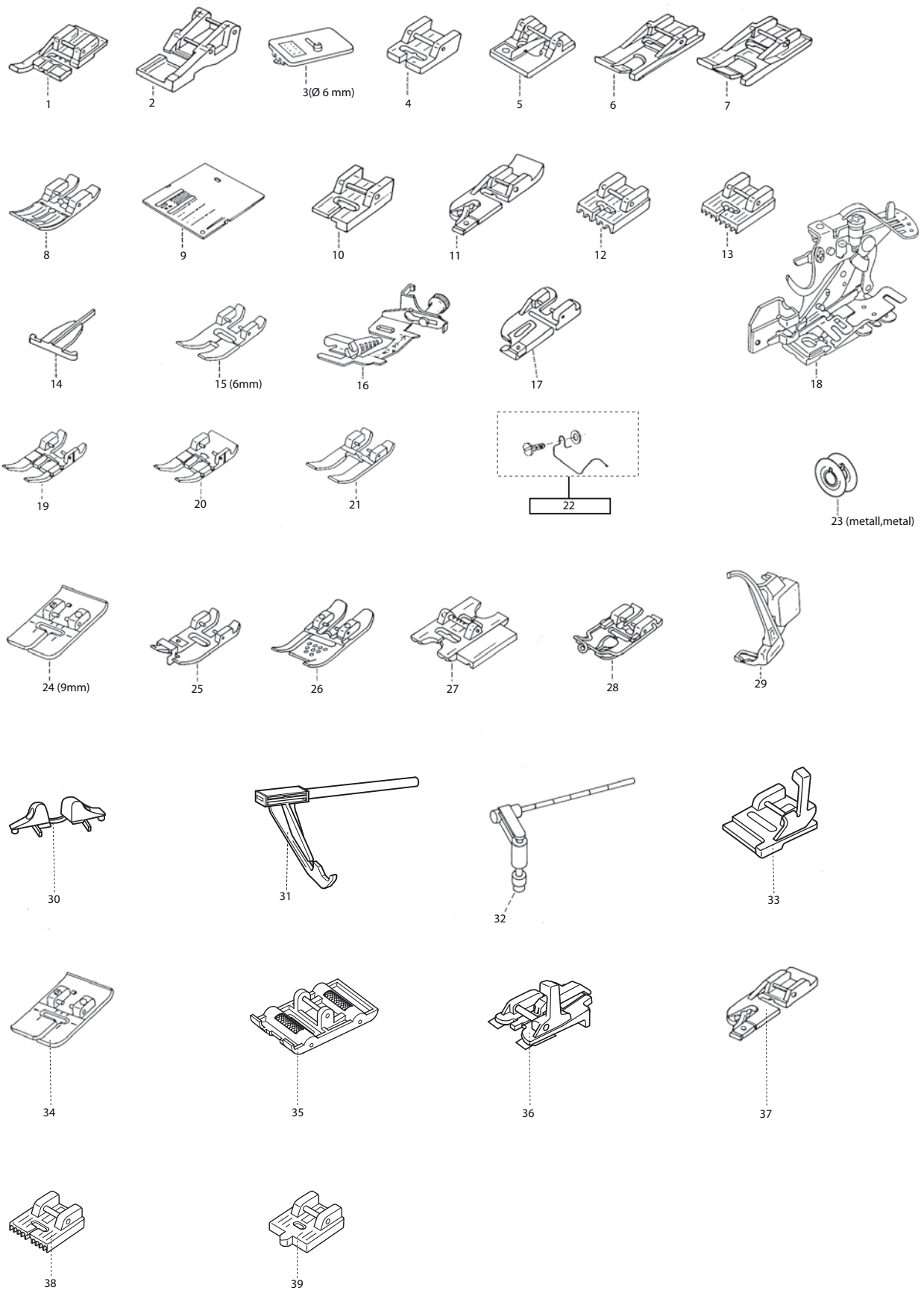
H

Sonderzubehör, Special accessories, Accessoires spéciaux, Accessori fuori corredo, accesorios especiales



1	820253096	FANCY STITCH FOOT CPL.
2	820248096	ZIPPER FOOT CPL.
3	820256096	BLIND-STITCH FOOT CPL.
4	820779096	BOBBIN
5	820251096	EDGE GUIDE
6	9303306405000	FELT WASHER
7	9303306344000	SPOOL PIN
8	9303604844000	THREAD PULL-OFF DISK
9	9303604944000	THREAD PULL-OFF DISK
10	N/S	NEEDLE SYSTEM 130/705 H,BOX OF 5
11	401555501	SOFT BRUSH
12	4015339901	CUTTER
13	N/S	LAMP CHANGER CPL.
14	9303890291000	ACCESSORY CPL. 2022
15	412928401	ACCESSORY CPL. 2038,2048
16	820774096	FANCY STITCH FOOT CPL.
17	820249096	ROLL HEMMER FOOT
18	820243096	DARNING FOOT CPL.
19	N/S	NEEDLE SYSTEM 130/705 H, BOX OF 5
20	401539901	CUTTER
21	2992499381937	TUBE OF OIL
22	N/S	SENSORMATIC BUTTONHOLE GUIDE CPL.
23	9303505044000	THREAD PULL-OFF DISK
24	820295096	BUTTONHOLE FOOT CPL.
25	820278096	FANCY STITCH FOOT CPL. 2020,2024,2025,2026,2027,2029,2030,2034,2036,2040,2042,2044,2046
	413060501	FANCY STITCH FOOT CPL. 2038,2048
26	413060501	FANCY STITCH FOOT CPL.
27	9303809543000	CARRYING CASE CPL. 2038
	9303910191000	CARRYING CASE CPL. 2048

I



1	820666096	SINGLE-NEEDLE CORDING FOOT CPL.
2	N/S	SHIRRING FOOT PLASTIC CPL.
3	820274096	EYELETTING PLATE 6MM
3	820273096	EYELETTING PLATE 4MM
4	820214096	APPLIQUE FOOT CPL.
5	N/S	FRINGE SEWING FOOT CPL.
6	N/S	FELLING FOOT 4,5 MM
7	N/S	FELLING FOOT 6,5 MM
8	N/S	STRAIGHT STITCH FOOT WITH ROUND NEEDLE HOLE CPL.
9	820276096	NEEDLE PLATE (STRAIGHT STITCH)
10	820790096	KNIT-EDGE FOOT CPL.
11	820220096	ROLL HEMMER 2 MM
12	820226096	CORDING FOOT CPL. 5 CORDS
13	N/S	CORDING FOOT CPL. 7 CORDS
14	N/S	CORDING BLADE
15	820664096	FOOT CPL.
16	820245096	BIAS TAPE BINDER
17	820221096	HEMMER IDT
18	820255096	MULTI-STITCH GATHERING FOOT
19	820926096	PATCHWORK FOOT CPL. (UPPER FEED)
20	820212096	QUILT & PATCHWORK FOOT CPL. WITHOUT IDT
21	820215096	APPLIQUE FOOT CPL. 9 MM
22	N/S	FINGER GUARD
23	N/S	BOBBIN
24	N/S	EMBROIDERY FOOT CPL.
25	820609096	NARROW EDGE FOOT CPL.
26	820608096	7/9-HOLE CORD FOOT CPL.
27	N/S	CORDING & FANCY STITCH FOOT CPL. 9 MM
28	820607096	BRAIDING FOOT CPL.
29	820544096	FREEHAND-QUILTING FOOT CPL.
30	N/S	FAGOT GUIDE 3,5 MM & 5 MM
31	N/S	QUILT GUIDE
32	820246096	CIRCULAR EMBROIDERY GUIDE CPL.
33	820668096	SHIRRING FOOT METAL CPL.
34	820777096	FANCY STITCH SLIDE SHOE
35	820663096	ROLLER FOOT
36	820473096	BUTTON SEW ON FOOT
37	820249096	ROLL HEMMER FOOT
38	820479096	CORDING FOOT CPL. 9 CORDS
39	820474096	INVISIBLE ZIPPER FOOT CPL.

PFAFF®

© 2011 copyright VSM Group AB All rights reserved

Technische Änderungen vorbehalten
Subject to alterations in design
Sous toute réserve de modifications techniques
Salvo modificaciones técnicas
Con riserva di modifiche tecniche

Nr. 104 23 26-96