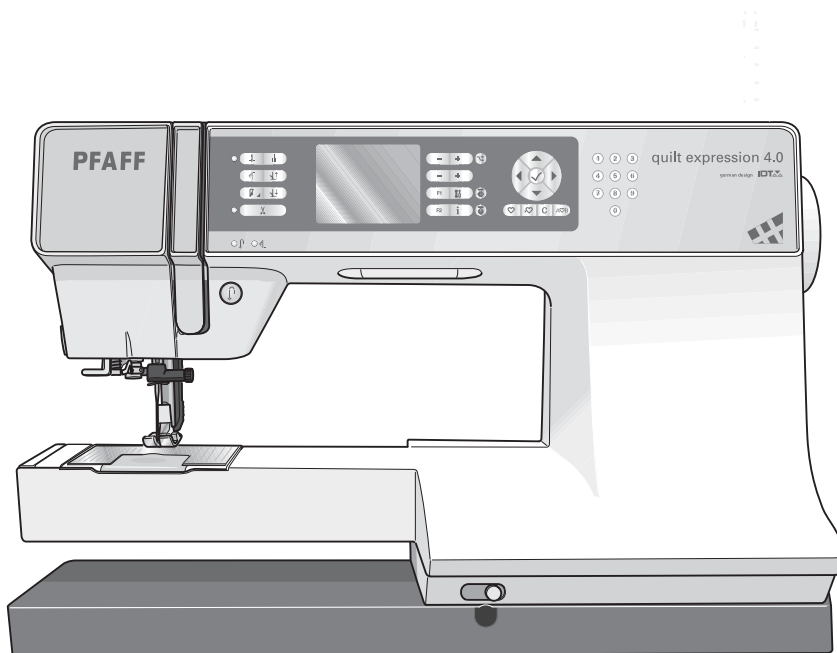


PFAFF®

Expression 2.0
3.0
4.0
150

Parts list

New feed system
From Product Nr 850117 to 850157



Nicht nummerierte Teile im Katalog werden nicht geliefert.

The parts mentioned without number in the parts list are not available.

Les pièces qui ne sont pas numérotées dans la liste de pièces détachées ne peuvent être livrées.

Bei Bestellung von Ersatzteilen muss die ModellNr. der Maschine, die Seitenzahl des Kataloges und die Teilenummer angegeben werden.

Prière d'indiquer dans vos commandes de pièces de rechange, le numéro de la machine, le numéro de la page dans la liste des pièces détachées, ainsi que les numéros des pièces commandées.

When ordering spare parts, please state the model number, the page number in the catalogue of spare parts and the number of the parts called for.



Please note that on disposal, this product must be safely recycled in accordance with relevant National legislation relating to electrical/electronic products. If in doubt please contact your retailer for guidance.



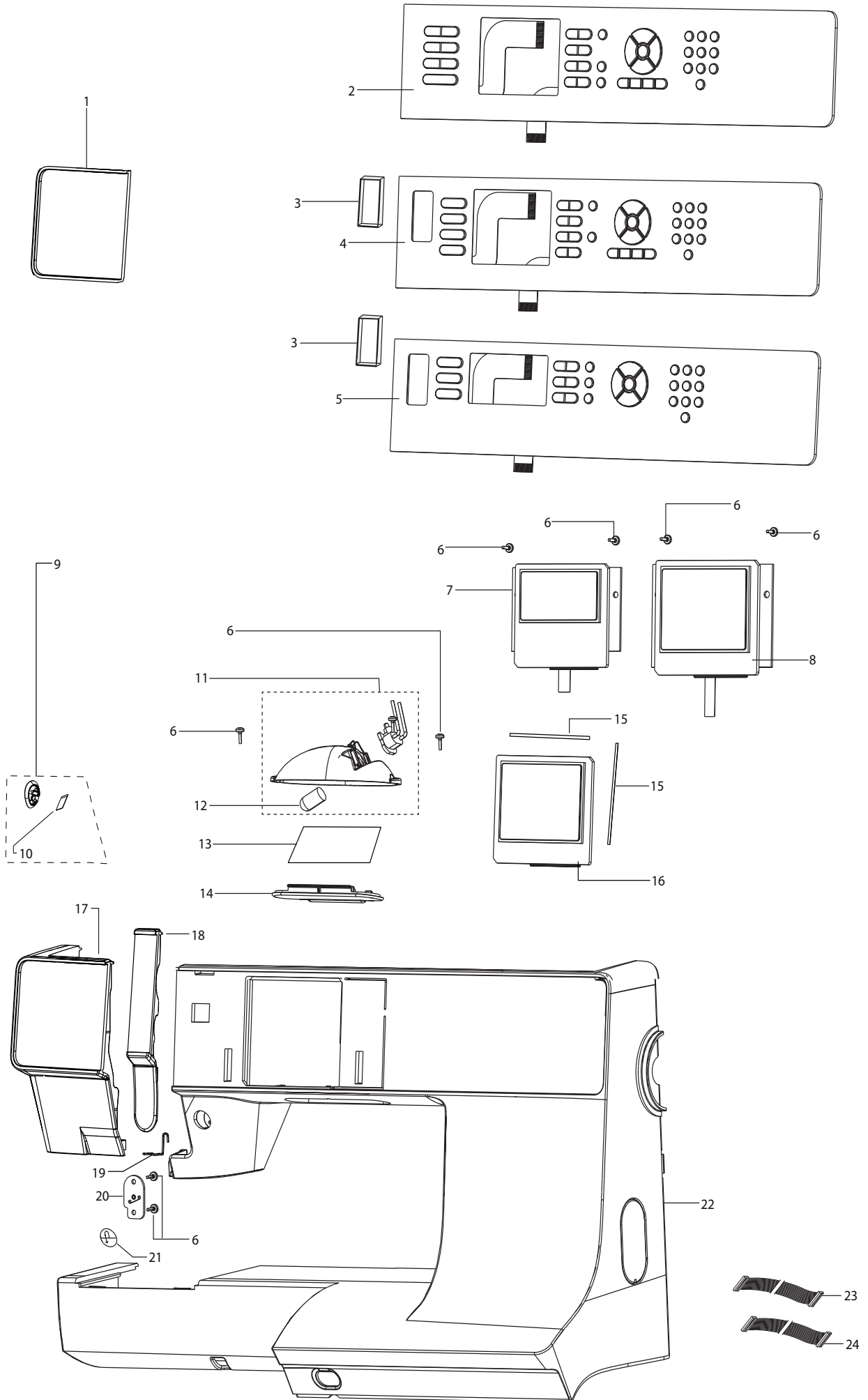
Bitte beachten Sie, dass hinsichtlich der Entsorgung dieses Produkts, vorschriftsmäßig entsprechend der gültigen nationalen Gesetzgebung für elektrische/elektronische Produkte, recycelt werden muss. Bei Zweifel setzen Sie sich bitte mit Ihrem Fachhändler in Verbindung.



Veillez noter qu'en cas de destruction, ce produit doit bénéficier d'un recyclage sécurisé, conforme à la législation nationale applicable aux produits électriques/électroniques. En cas de doute, veuillez contacter votre distributeur agréé.

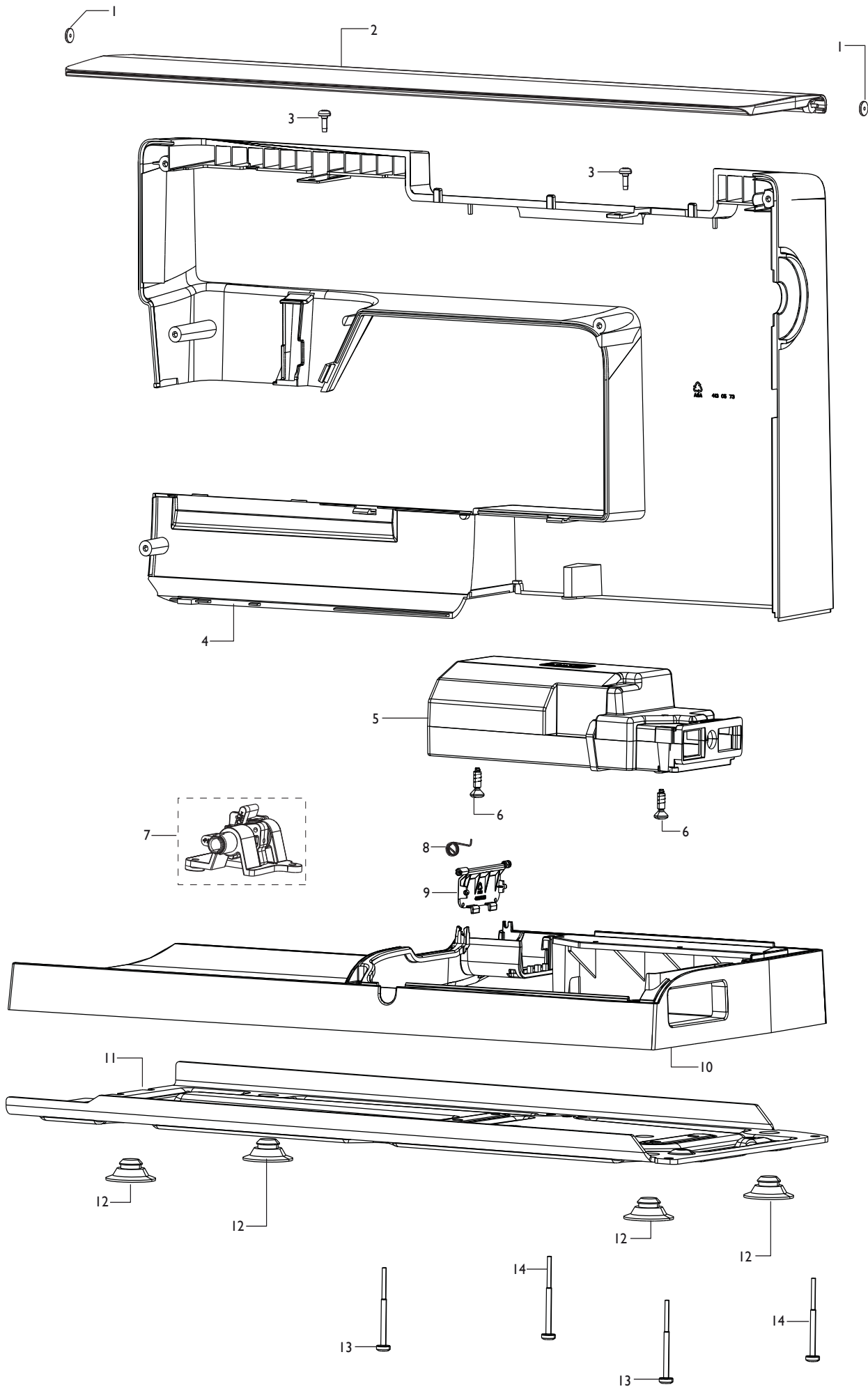
- All casted parts within our products are marked with name of material if allowed by size.
- All molded plastic parts within our products are marked with name of material if allowed by size.

A



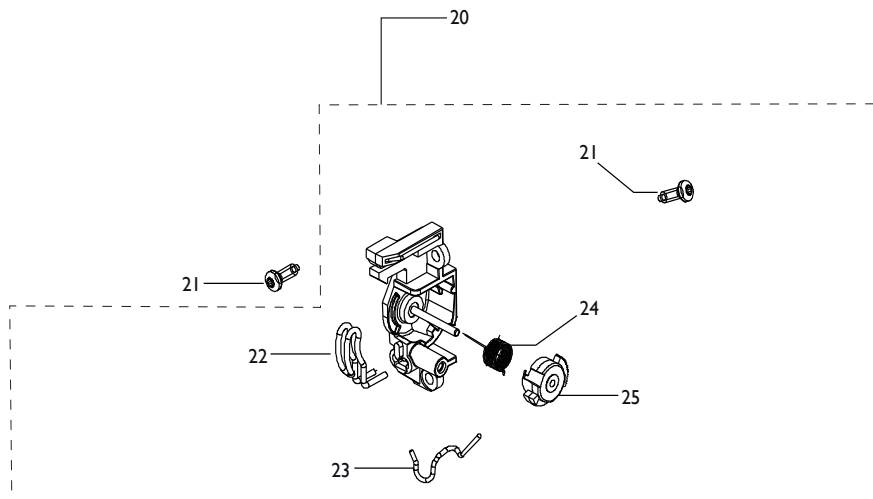
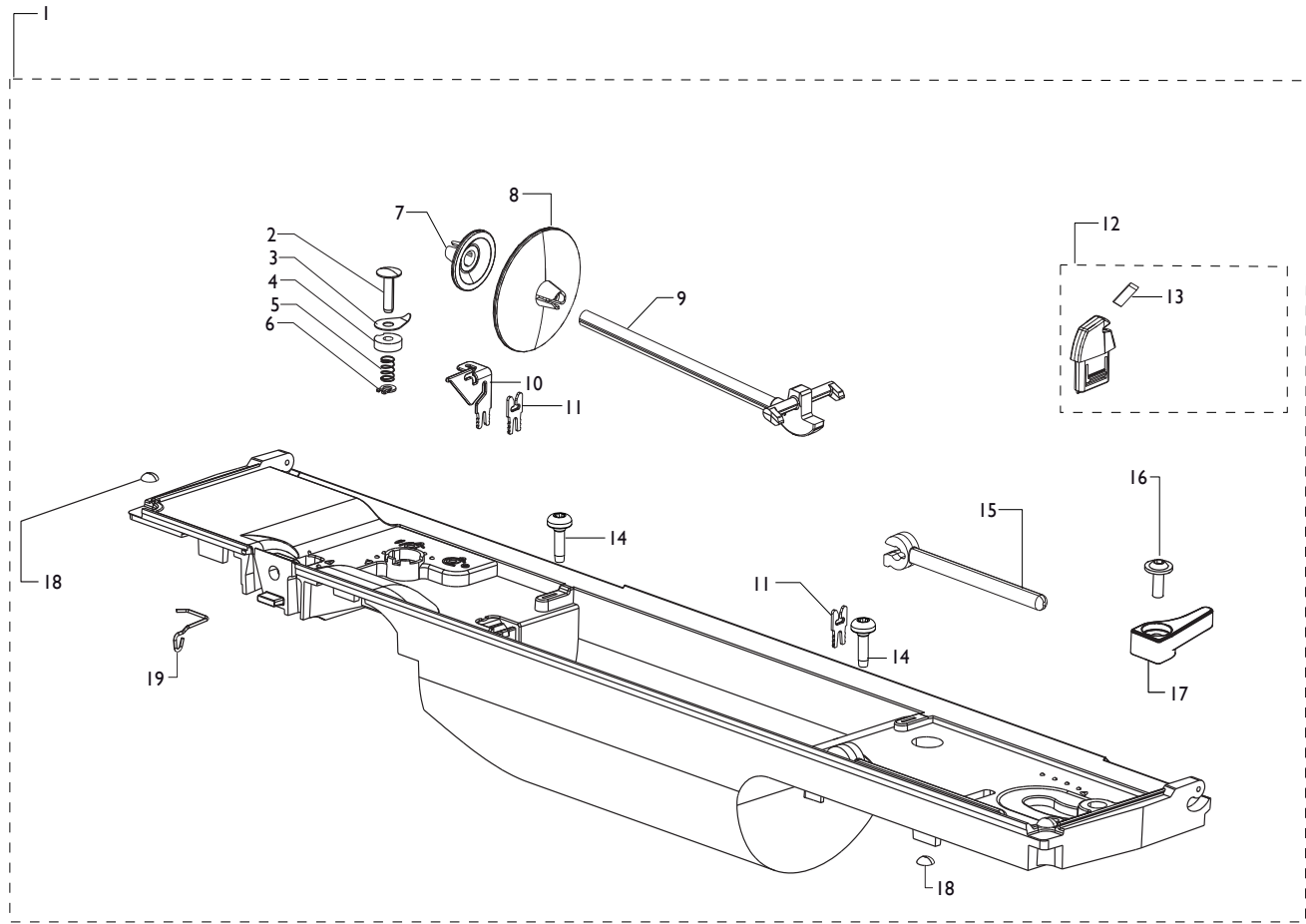
| | | |
|----|-----------|----------------------------------|
| 1 | 413148201 | DECAL COVER SEWIN.PF C0/C2/C3 |
| 2 | 413144001 | KEYBOARD QUILT EXPR.4.0 |
| 3 | 413121901 | FRAME |
| 4 | 413159001 | KEYBOARD EXPR.3.0 |
| 5 | 413159101 | KEYBOARD EXPR 2.0 |
| | 413159102 | KEYBOARD EXPR. 150 |
| 6 | 411966801 | SCREW PT 30*7,5 FZB TORX |
| 7 | 413009001 | PCB ASSEMBLY, LCD EXPR.2.0/150 |
| 8 | 413009301 | PCB ASSEMBLY, LCD EXPR.3.0/QE4.0 |
| 9 | 413066201 | THREAD KNIFE CPL. |
| 10 | 412423701 | THREAD CUTTER |
| 11 | 412520502 | LAMP HOLDER CPL. |
| 12 | 413181803 | LAMP, 24V, 3W |
| 13 | 412842701 | COOLING TAPE, LED, ARM |
| 14 | 413117601 | LAMP COVER |
| 15 | 412520103 | SEALING |
| 16 | 413122001 | DISPLAY GLASS EXPR.3.0/QE4.0 |
| | 413122002 | DISPLAY GLASS EXPR.2.0/150 |
| 17 | 413117301 | COVER SEWING HEAD |
| 18 | 413136401 | GUIDE CPL. |
| 19 | 413068801 | THREAD GUIDE |
| 20 | 413067401 | BOARD, REVERSE BUTTON |
| 21 | 413057601 | REVERSE BUTTON |
| 22 | 413117102 | FRONT COVER EXPR.2.0/3.0/150 |
| | 413117101 | FRONT COVER QE4.0 |
| 23 | 412546916 | CABLE ASSEMBLY (14P) |
| 24 | 412546917 | CABLE ASSEMBLY (20P) |

B



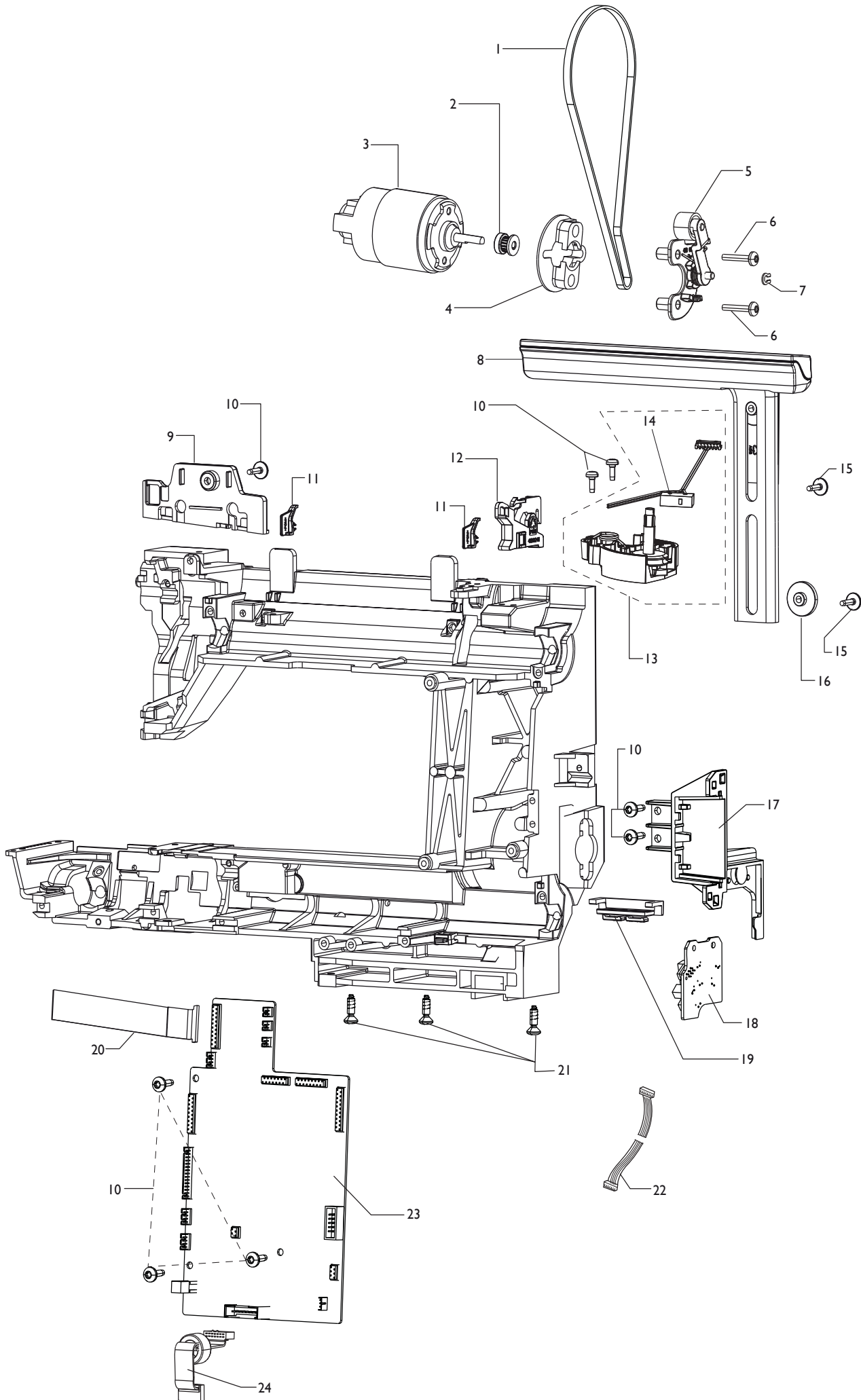
| | | |
|----|-----------|--|
| 1 | 413139901 | BUSHING |
| 2 | 413053303 | LID CPL. EXPR.2.0 |
| | 413053304 | LID CPL. EXPR.3.0 |
| | 413053305 | LID CPL. QE4.0 |
| | 413053310 | LID CPL. EXPR.150 |
| 3 | 412056005 | SCREW TAPITTE M4*10 TORX |
| 4 | 413057301 | BACK COVER, PFAFF HIGH, QE4.0 |
| | 413057302 | BACK COVER, PFAFF LOW EXPR. 2.0/3.0/150 |
| 5 | 413019203 | POWER SUPPLY CPL. |
| 6 | 411967107 | SCREW PT FS 40*35 FZB TORX |
| 7 | 413050201 | KNEE LIFT CPL. |
| 8 | 413068601 | TORSION SPRING |
| 9 | 413052601 | LID, XYUNIT |
| 10 | 413034702 | BOTTOM COVER APF, KNEE LIFT QE4.0 |
| | 413034701 | BOTTOM COVER APF, NO KNEE LIFT, EXPR.2.0/3.0 |
| | 413034704 | BOTTOM COVER APF, NO KNEELIFT EXPR 150 |
| 11 | 412954501 | BOTTOM PLATE |
| 12 | 412305001 | RUBBER FOOT, BASE PLATE |
| 13 | 411966812 | SCREW PT 40*40 FZB TORX |
| 14 | 411966813 | SCREW PT 40*50 FZB |

C



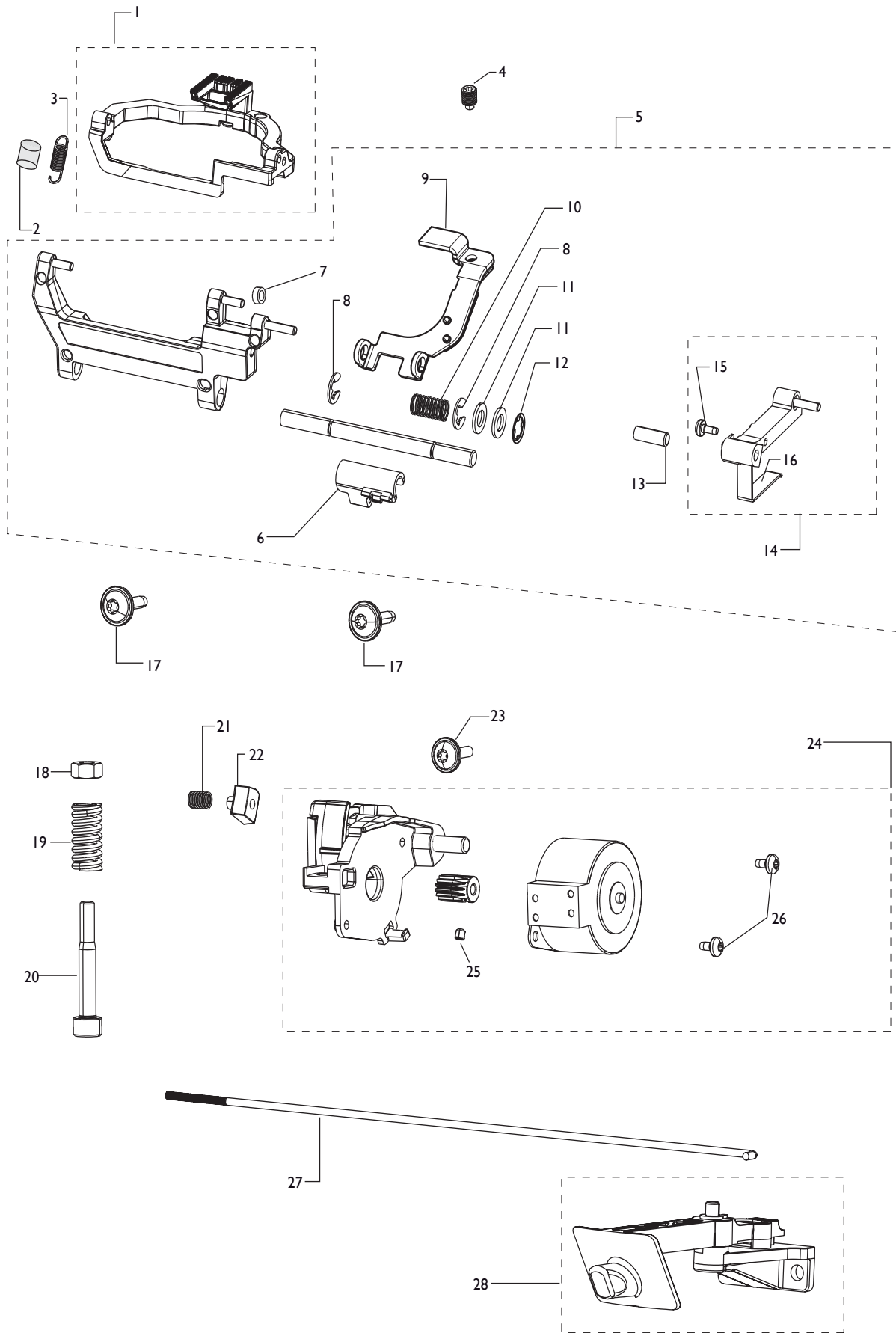
| | | |
|----|---------------|-------------------------------|
| 1 | 413064706 | TOP COVER CPL. |
| 2 | 9303017435000 | GUIDE PIN |
| 3 | 9303906805000 | THREAD GUIDE, BOBBIN WINDER |
| 4 | 9303205025000 | THREAD GUIDE |
| 5 | 9304006005000 | SPRING |
| 6 | 1261814045000 | RING PN 126183,5 |
| 7 | 413051601 | SPOOL HOLDER 22 MM |
| 8 | 413051603 | SPOOL HOLDER 45 MM |
| 9 | 413064501 | REEL PIN |
| 10 | 413190001 | THREAD GUIDE CPL. |
| 11 | 413060201 | THREAD GUIDE |
| 12 | 413022501 | COVER THREAD KNIFE CPL. WIN. |
| 13 | 412423701 | THREAD CUTTER |
| 14 | 412056005 | SCREW TAPITTE M4*10 TORX |
| 15 | 412960401 | THREAD REEL PIN |
| 16 | 9303311855000 | SCREW 3*8 |
| 17 | 413108901 | STOP |
| 18 | 412569701 | DAMPER |
| 19 | 413064602 | THREAD GUIDE |
| 20 | 413004004 | THREAD SENSOR CPL. |
| 21 | 411966820 | SCREW 30*10 FZB KOMBITORX |
| 22 | 412519301 | THREAD GUIDE |
| 23 | 413004501 | THREAD CONTROL, THREAD SENSOR |
| 24 | 412519202 | CHECK SPRING |
| 25 | 413004301 | ADJUSTING SLEEVE |

D



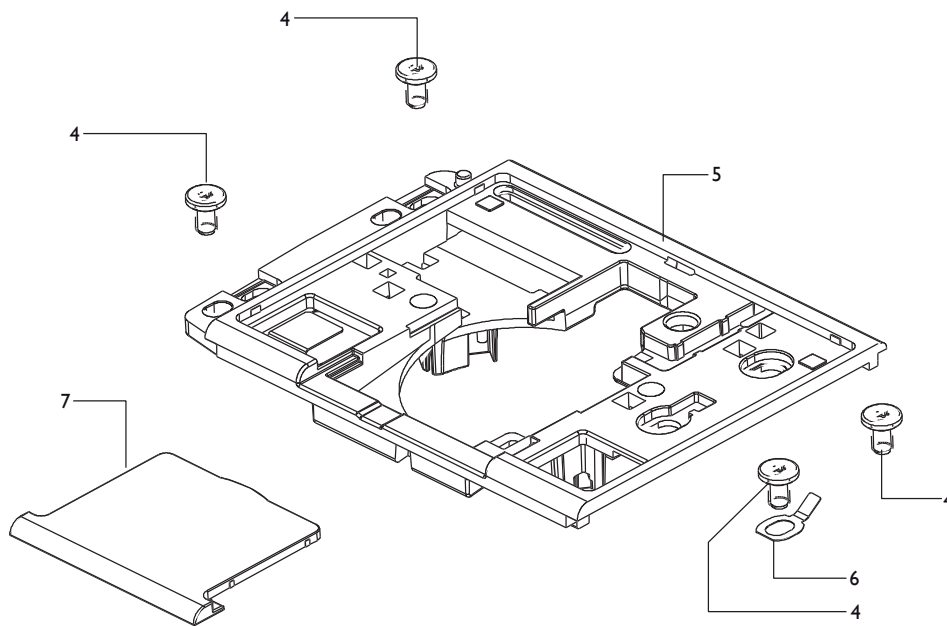
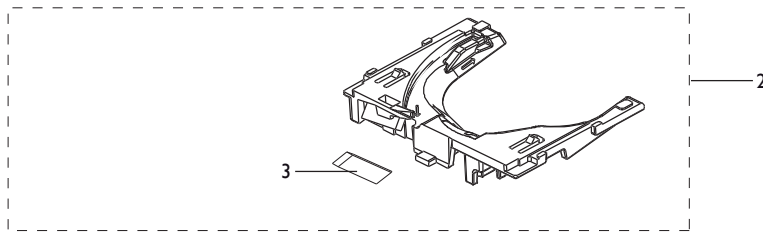
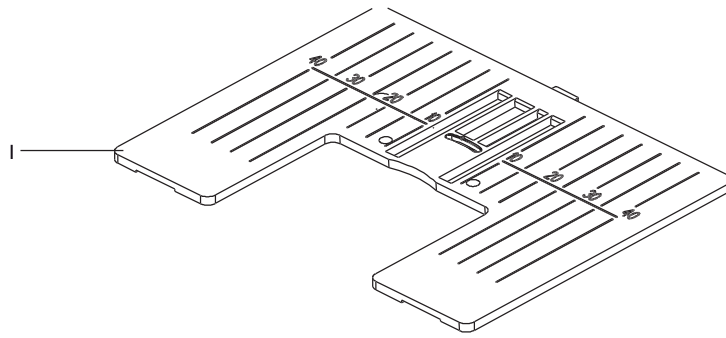
| | | |
|----|---------------|---------------------------------|
| 1 | 413020201 | COG BELT MOTOR |
| 2 | 412353302 | DRIVING WHEEL MOTOR 350,400,500 |
| 3 | 9233011191000 | ENGINE DOMEL |
| 4 | 412999901 | RUBBER DAMPER, MOTOR |
| 5 | 412971901 | BELT STRETCHER CPL. |
| 6 | 412211415 | SCREW M4*20 TORX |
| 7 | 735613640 | COMPRESSION RINGS Ø4 |
| 8 | 413056101 | HANDLE PART CPL. |
| 9 | 413063901 | CABLE SHIELD |
| 10 | 412056006 | SCREW TAPITTE M4*12 TORX |
| 11 | 413024201 | CABLE CLAMP |
| 12 | 413024101 | CABLE LOCATOR |
| 13 | 412955501 | BOBBIN WINDING UNIT |
| 14 | 413049101 | MICRO SWITCH CPL. |
| 15 | 413169401 | COLLAR SCREW TT TORX 4*14 |
| 16 | 413056501 | BUSHING,HANDLE PFAFF |
| 17 | 412985501 | HOLDER |
| 18 | 412986401 | SENSOR BOARD, ASS. |
| 19 | 413075601 | CABLE LOCATOR |
| 20 | 412546912 | CABLE ASSEMBLY (18P) |
| 21 | 412056001 | SCREW TAPITTE M5*14 TORX |
| 22 | 412546913 | CABLE ASSEMBLY (6P) |
| 23 | 413016648 | CONTROL BOARD, EXPR.2.0 |
| | 413016650 | CONTROL BOARD, EXPR.3.0 |
| | 413016651 | CONTROL BOARD,QE4.0 |
| | 413016655 | CONTROL BOARD, EXPR. 150 |
| 24 | 412349703 | CABLE TRANSF.CONTROL BOARD |

E



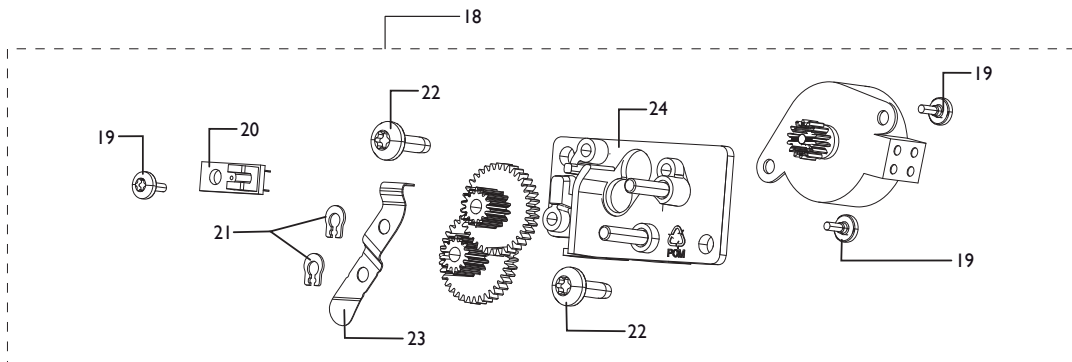
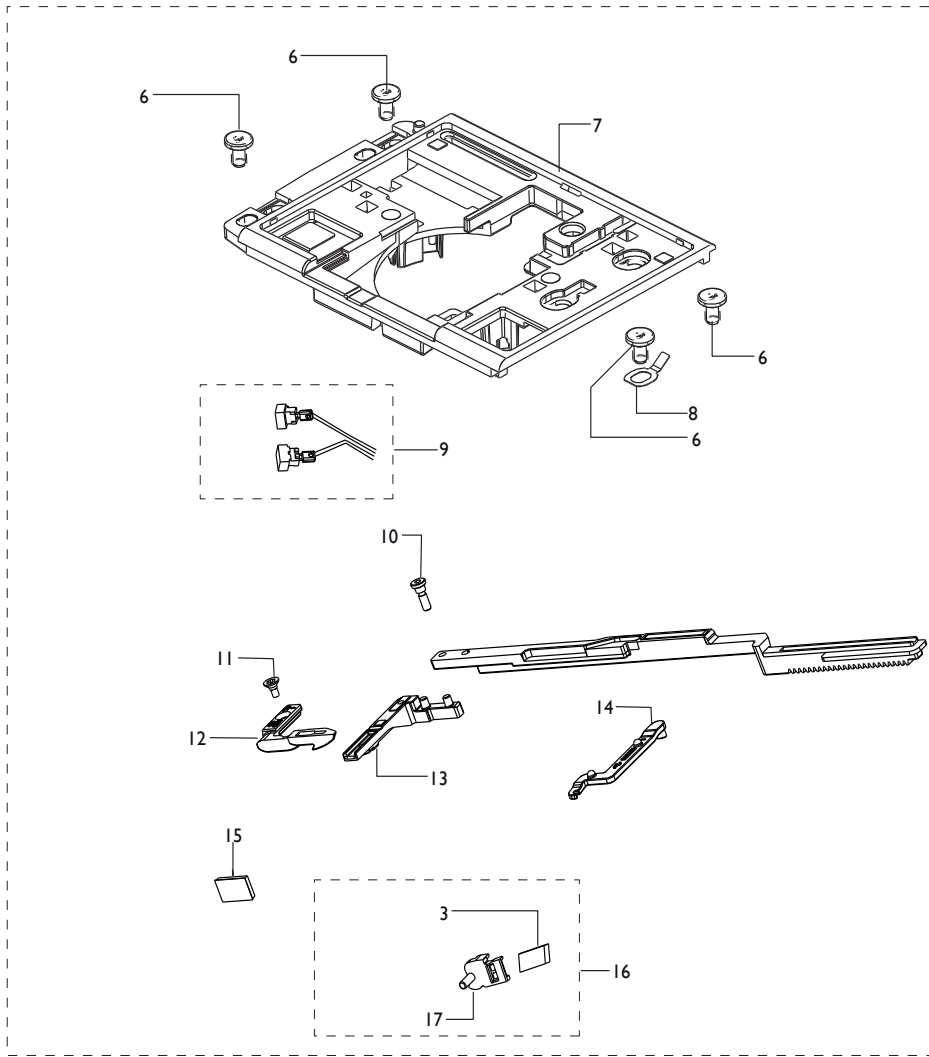
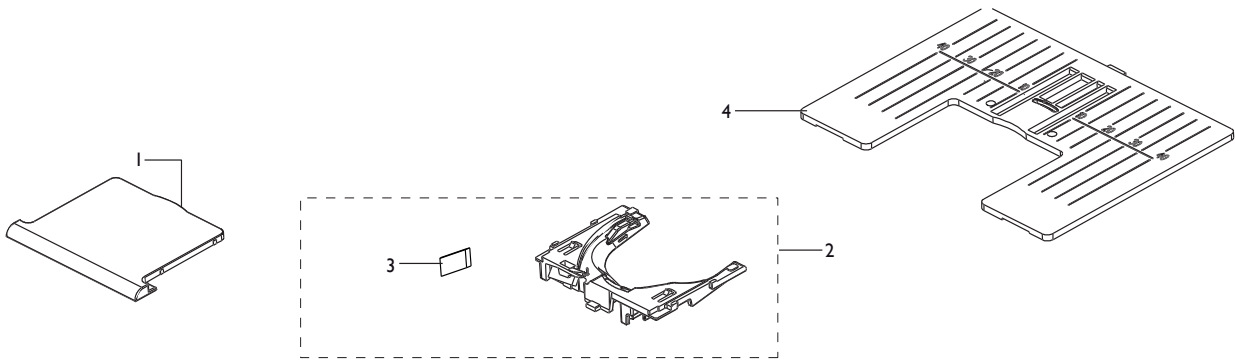
| | | |
|----|-----------|--------------------------------|
| 1 | 413201304 | FEED DOG CPL. |
| 2 | 413112601 | BUFFER |
| 3 | 413270001 | TENSION SPRING, FRAME FEED DOG |
| 4 | 413201201 | ADJUSTMENT SCREW, FEEDER |
| 5 | 413269008 | CARRIGE FEED CPL. |
| 6 | 413034201 | INSERT, LEVER FEED LIFT |
| 7 | 413007801 | SPACER, FEED |
| 8 | 735310820 | LOCK WASHER 4 |
| 9 | 413200901 | LEVER FEED LIFT CPL. |
| 10 | 412962501 | SPRING, FEED DOG LOWERING |
| 11 | 412829101 | WASHER, LOWER SHAFT |
| 12 | 412368001 | LOCK WASHER |
| 13 | 412316023 | INA PIN NRB 4*19,8 02UM |
| 14 | 412961601 | LINK, CARRIAGE FEED CPL. |
| 15 | 412056004 | SCREW TAPITTE M3*6 TORX |
| 16 | 412961501 | SPRING, FEED |
| 17 | 413169401 | COLLAR SCREW TT TORX 4*14 |
| 18 | 413025401 | NUT M5*0,5 |
| 19 | 412963601 | SPRING |
| 20 | 412963701 | SCREW BALANCE ADJUSTMENT |
| 21 | 412961701 | SPRING, SLIDING BLOCK |
| 22 | 412961801 | BLOCK, GUIDE |
| 23 | 413034402 | COLLAR SCREW M4*10, LEFT HAND |
| 24 | 412963501 | STEPPING MOTOR UNIT, FEED |
| 25 | 411968703 | SET SCREW FLAT, M3*3 TORX |
| 26 | 412056011 | SCREW TAPITTE M3*5 TORX |
| 27 | 413034101 | PULL WIRE, FEED DOG DROP |
| 28 | 413142201 | MECHANISM, FEED DOG DROP CPL. |

F1



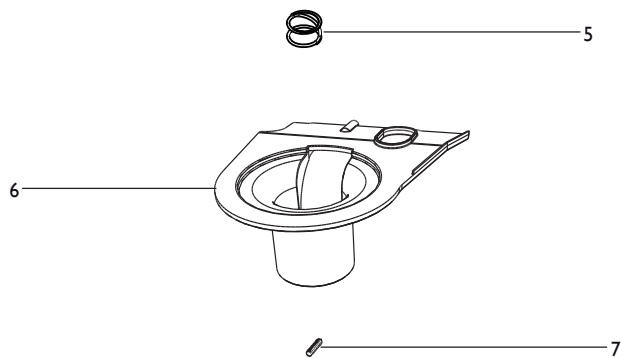
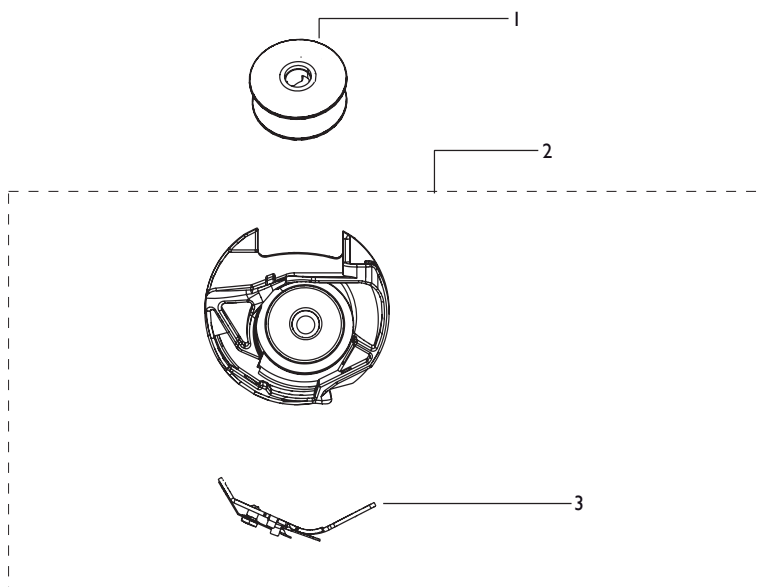
| | | |
|---|-----------|----------------------------|
| 1 | 412964305 | STITCH PLATE PFAFF INCH/MM |
| 2 | 413025601 | RETAINER |
| 3 | 412423701 | THREAD CUTTER |
| 4 | 412287903 | SCREW |
| 5 | 412964105 | HOOK COVER |
| 6 | 412997701 | ESD SPRING, STITCH PLATE |
| 7 | 412963901 | BOBBIN COVER |

F2



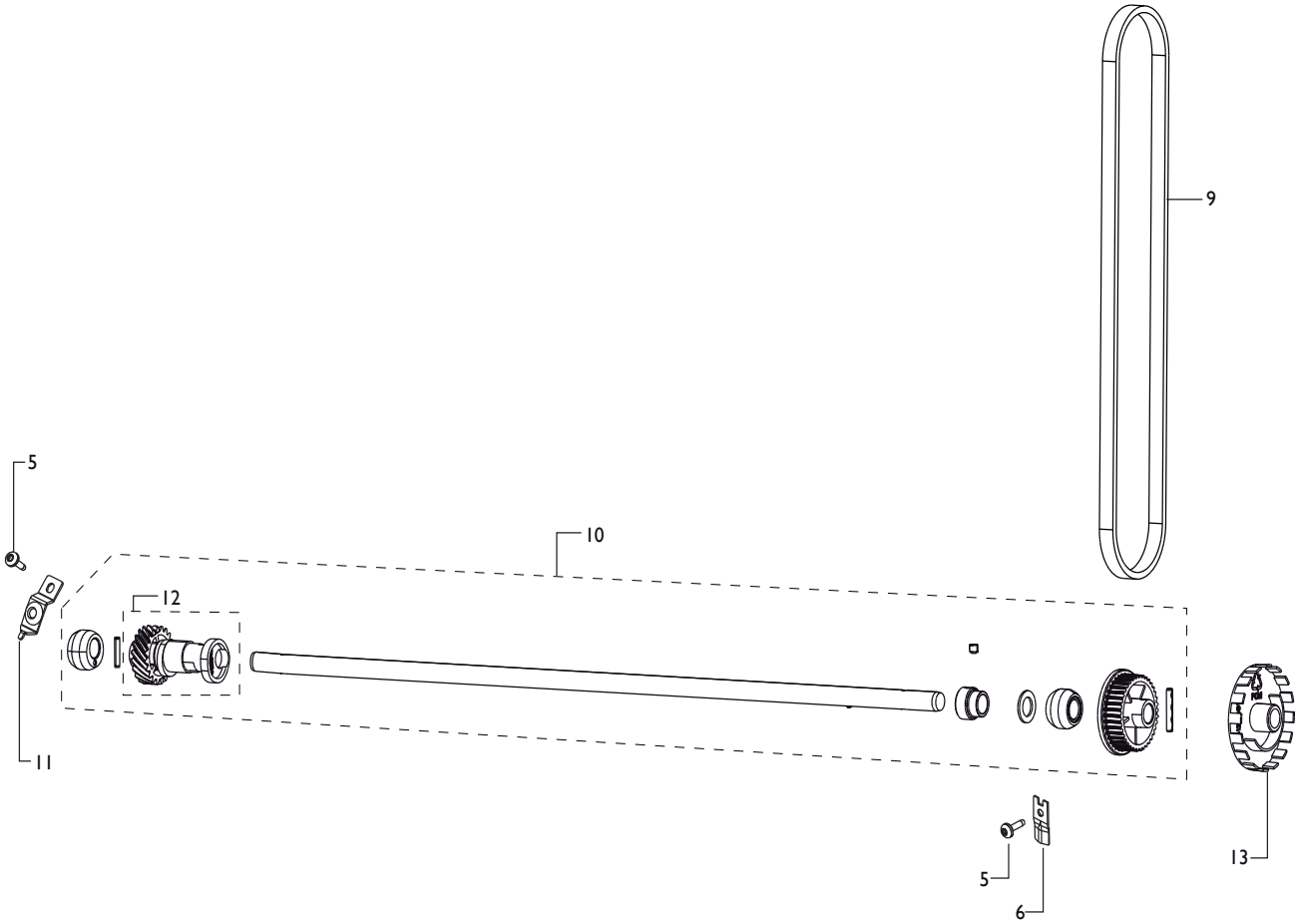
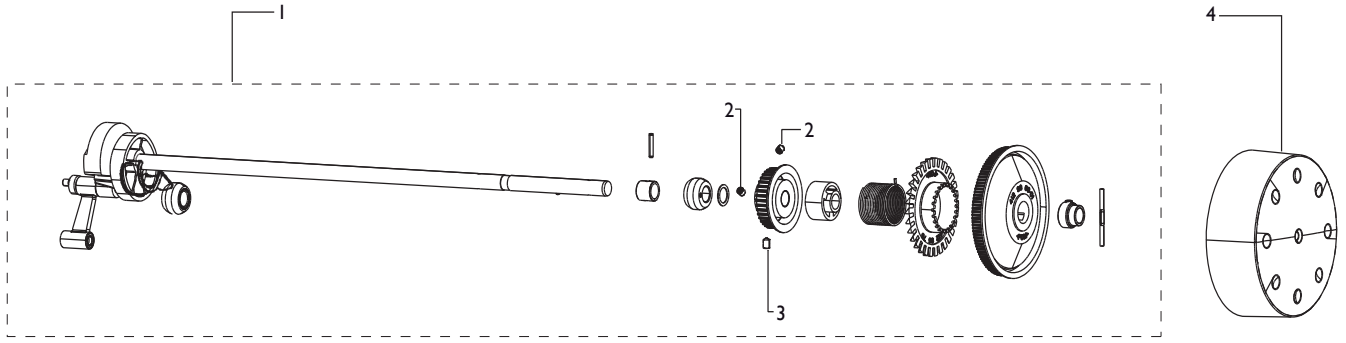
| | | |
|----|-----------|--------------------------------|
| 1 | 412963901 | BOBBIN COVER |
| 2 | 413025601 | RETAINER |
| 3 | 412423701 | THREAD CUTTER |
| 4 | 412964305 | STITCH PLATE PFAFF INCH/MM |
| 5 | 412964002 | HOOK COVER CPL. CUT. AND SENS. |
| 6 | 412287903 | SCREW |
| 7 | 412964105 | HOOK COVER |
| 8 | 412997701 | ESD SPRING, STITCH PLATE |
| 9 | 413101502 | CABLE ASS. BOBBIN SENSOR |
| 10 | 413010001 | GUIDE PIN |
| 11 | 412280501 | SCREW, COUNTERSUNK |
| 12 | 413007101 | FETCHER |
| 13 | 413072201 | CONNECTING PART, FETCHER |
| 14 | 413007301 | FETCHER UPPER THREAD |
| 15 | 413116701 | THREAD BRAKE |
| 16 | 413047301 | KNIFE HOLDER CPL. |
| 17 | 413007701 | KNIFE HOLDER |
| 18 | 413007401 | STEPPING MOTOR CPL. |
| 19 | 411966828 | SCREW PT 30*6 FZB TORX |
| 20 | 413072501 | CUT SENSOR ASS. |
| 21 | 735612440 | COMPRESSION RINGS Ø3 |
| 22 | 412056006 | SCREW TAPTITE M4*12 TORX |
| 23 | 413007601 | GUIDE GEAR RACK |
| 24 | 413007502 | MOTOR PLATE CPL. |

G

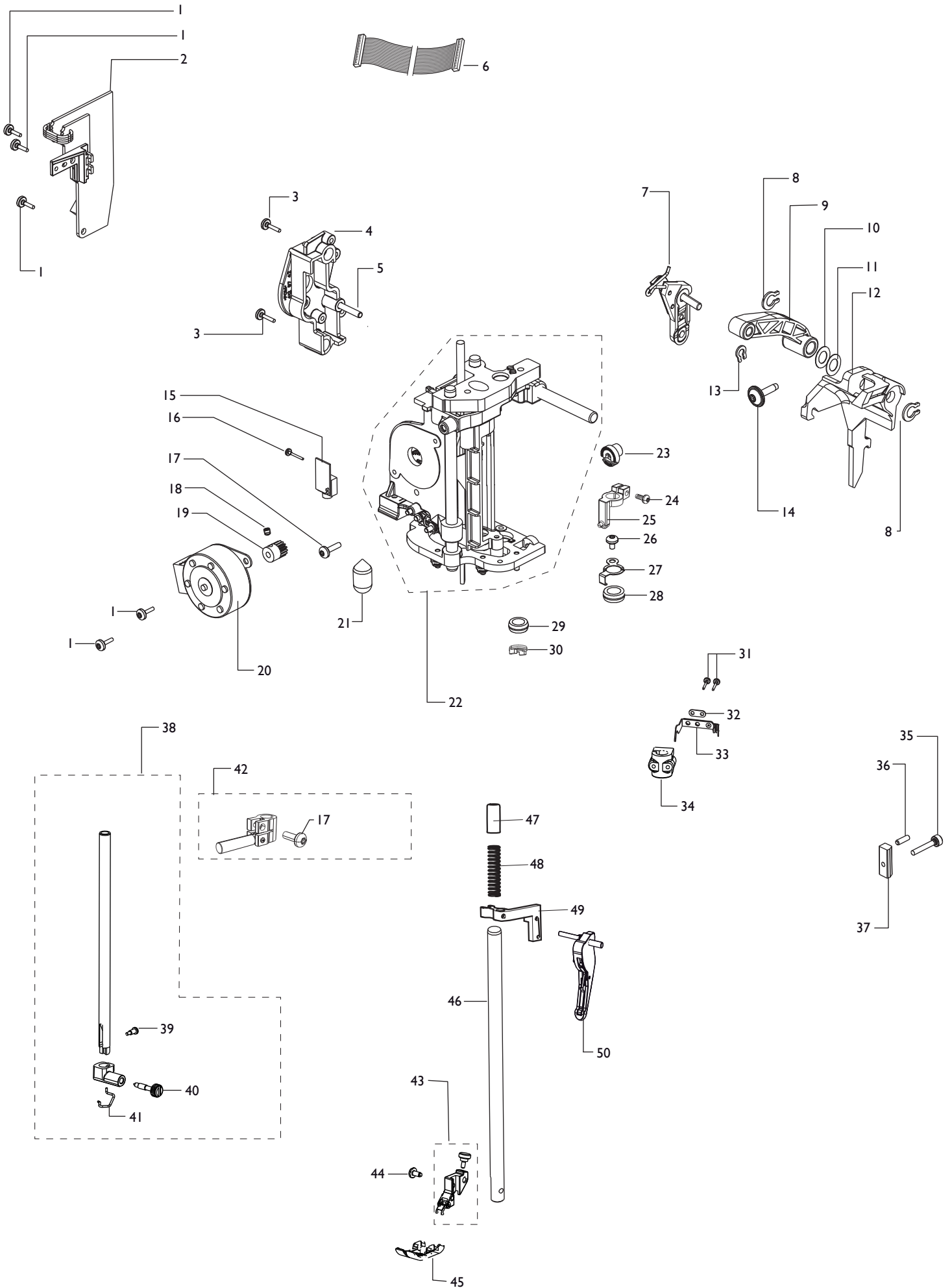


| | | |
|---|-----------|---------------------------|
| 1 | 820921096 | BOBBINS CPL. PF, GREY 10P |
| 2 | 413058903 | BOBBIN CASE CPL. |
| 3 | 412471601 | THREAD TENSION CPL. |
| 4 | 412876902 | HOOK CPL. WITH SHAFT |
| 5 | 412930101 | SPRING, HOOK |
| 6 | 412964502 | DUST COVER |
| 7 | 728528705 | SCREW M4*8 |

H

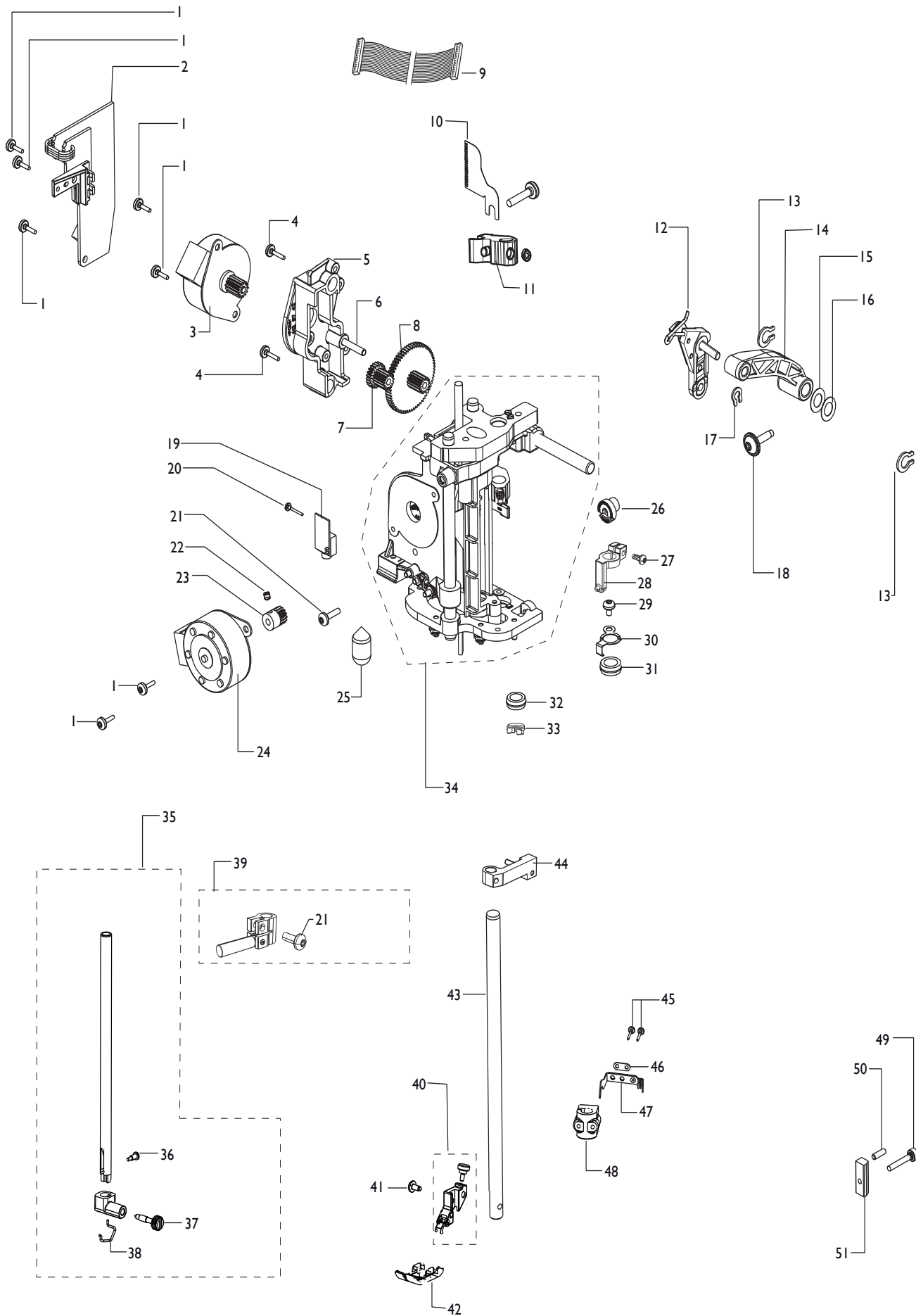


| | | |
|----|-----------|--|
| 1 | 412966705 | UPPER SHAFT CPL. |
| 2 | 411968706 | SET SCREW FLAT, M4*4 TORX |
| 3 | 411968807 | SET SCREW POINTED, M4*6 TORX |
| 4 | 413040301 | HAND WHEEL |
| 5 | 412056006 | SCREW TAPITTE M4*12 TORX |
| 6 | 412328401 | CLAMP |
| 7 | 412558401 | ABSORBER |
| 8 | 412687601 | GROUND TAPE |
| 9 | 413020301 | COG BELT UPPERLOWER SHAFT |
| 10 | 412967902 | LOWER SHAFT CPL. |
| | 412967903 | LOWER SHAFT CPL. (BOX) From productnr 850 123 xxx |
| 11 | 412318101 | CLAMP LOWER SHAFT |
| 12 | 412964402 | ECCENTRIC FEED CPL. |
| | 412964403 | ECCENTRIC FEED CPL. (BOX) From productnr 850 123 xxx |
| 13 | 412968101 | SHIELD, REVOLUTION INDICATOR |



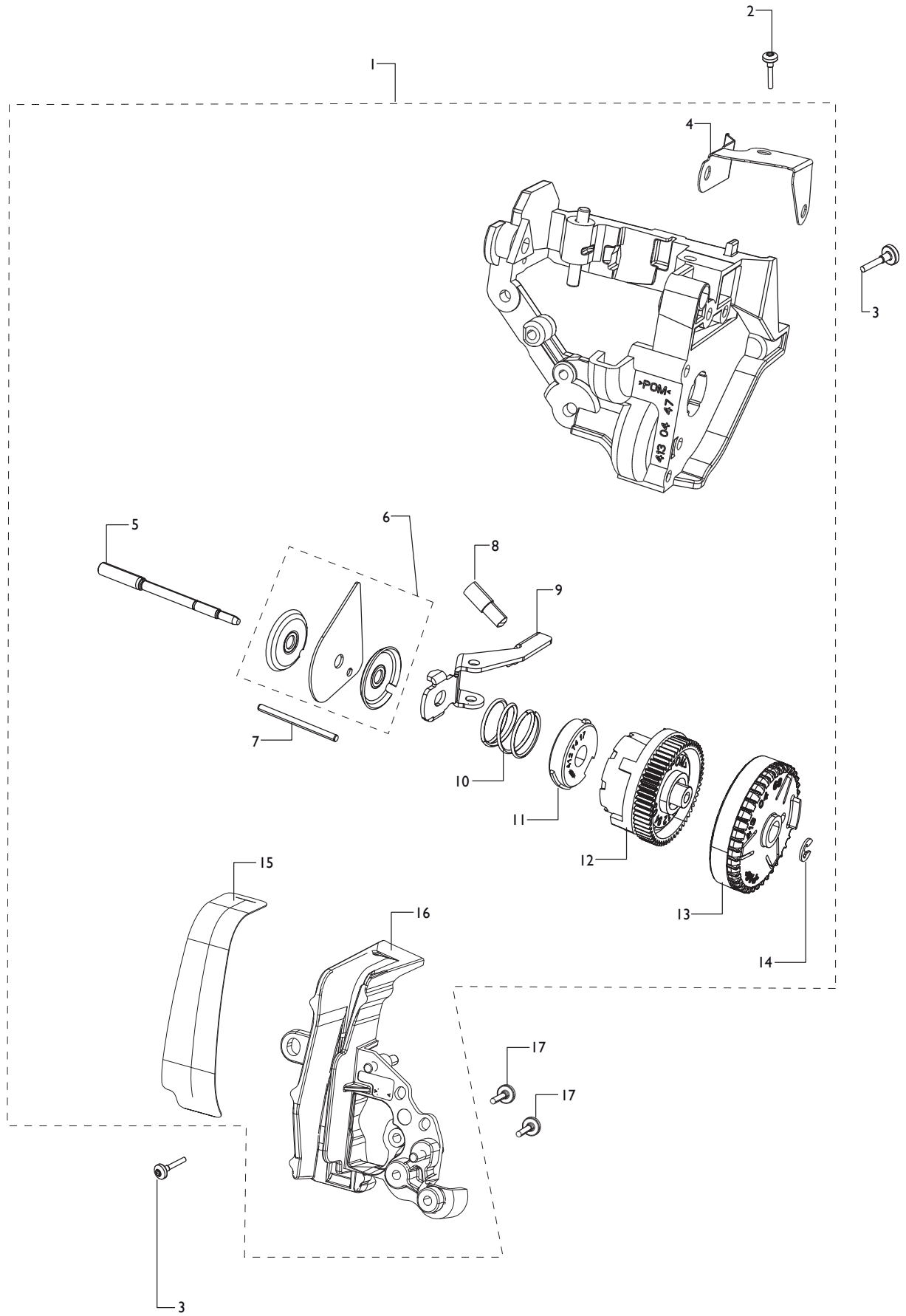
| | | |
|----|-----------|-----------------------------------|
| 1 | 411966801 | SCREW PT 30*7,5 FZB TORX |
| 2 | 413015501 | CONN.BOARD SERVO SENS. |
| 3 | 411966820 | SCREW 30*10 FZB KOMBITORX |
| 4 | 412974201 | GEARHOUSE, SERVO |
| 5 | 412316010 | INA PIN NRB 3*17,8 03UM |
| 6 | 412546912 | CABLE ASSEMBLY (18P) |
| 7 | 413300302 | TAKE UP LEVER CPL. WITH LINK,VER2 |
| 8 | 735615340 | COMPRESSION RINGS Ø6 |
| 9 | 413047401 | LINK |
| 10 | 411980601 | WASHER |
| 11 | 412001301 | SPRING WASHER Ø 6.1/9X0,1 |
| 12 | 413048902 | LEVER, THREAD RELEASER |
| 13 | 735613640 | COMPRESSION RINGS Ø4 |
| 14 | 412281902 | SCREW FLANGE M4*14 TT TORX |
| 15 | 413031001 | BUTTONSENS. CONN. ASS. |
| 16 | 411966821 | SCREW PT 18*10 FZB TORX |
| 17 | 412211404 | SCREW M3*10 TORX |
| 18 | 411968703 | SET SCREW FLAT, M3*3 TORX |
| 19 | 413057201 | GEAR, ZZ |
| 20 | 412993901 | STEPPING MOTOR |
| 21 | 413181802 | LAMP, 24V, 5W |
| 22 | 413244202 | SEW.HEAD, MECH LIFT SPARE |
| 23 | 412966501 | CALIBRATION KNOB |
| 24 | 413019001 | SCREW K 30*8 PT WN 1452 S |
| 25 | 412993501 | STROKE LIMITER |
| 26 | 412211401 | SCREW M3*4 TORX |
| 27 | 413060301 | CLIPS, GABLE LOWER |
| 28 | 412500601 | BEARING |
| 29 | 412501501 | BEARING 10/6,354 |
| 30 | 412504701 | LOCKING DEVICE |
| 31 | 411966825 | SCREW PT 16*8 FZB TORX |
| 32 | 412876701 | WASHER, NEEDLE THREADER |
| 33 | 413238402 | NEEDLE THREADER |
| 34 | 413053601 | HOLDER, NEEDLE THREADER |
| 35 | 725522805 | SCREW M3*16 INSEX |
| 36 | 728522205 | SOCKET SET SCREW FLAT POINT |
| 37 | 412966601 | WEDGE |
| 38 | 413094303 | NEEDLE BAR CPL. |
| 39 | 413094701 | SCREW THREAD GUIDE |
| 40 | 413094801 | NEEDLE SCREW |
| 41 | 413094602 | THREAD GUIDE |
| 42 | 412993603 | CROSS HEAD CPL. |
| 43 | 413039201 | HOLDER PRESSER FOOT CPL. |
| 44 | 413040401 | SCREW HOLDER PRESSER FOOT |
| 45 | 820773096 | STANDARD PRESSER FOOT W. IDT |
| 46 | 412285403 | PRESSER BAR |
| 47 | 413070001 | SLEEVE, PRESSER BAR |
| 48 | 412685101 | SPRING, PRESSER BAR |
| 49 | 413162801 | PRESSER BAR GUIDE, IDT CPL. |
| 50 | 413069701 | PRESSER FOOT LIFTER CPL. |

12



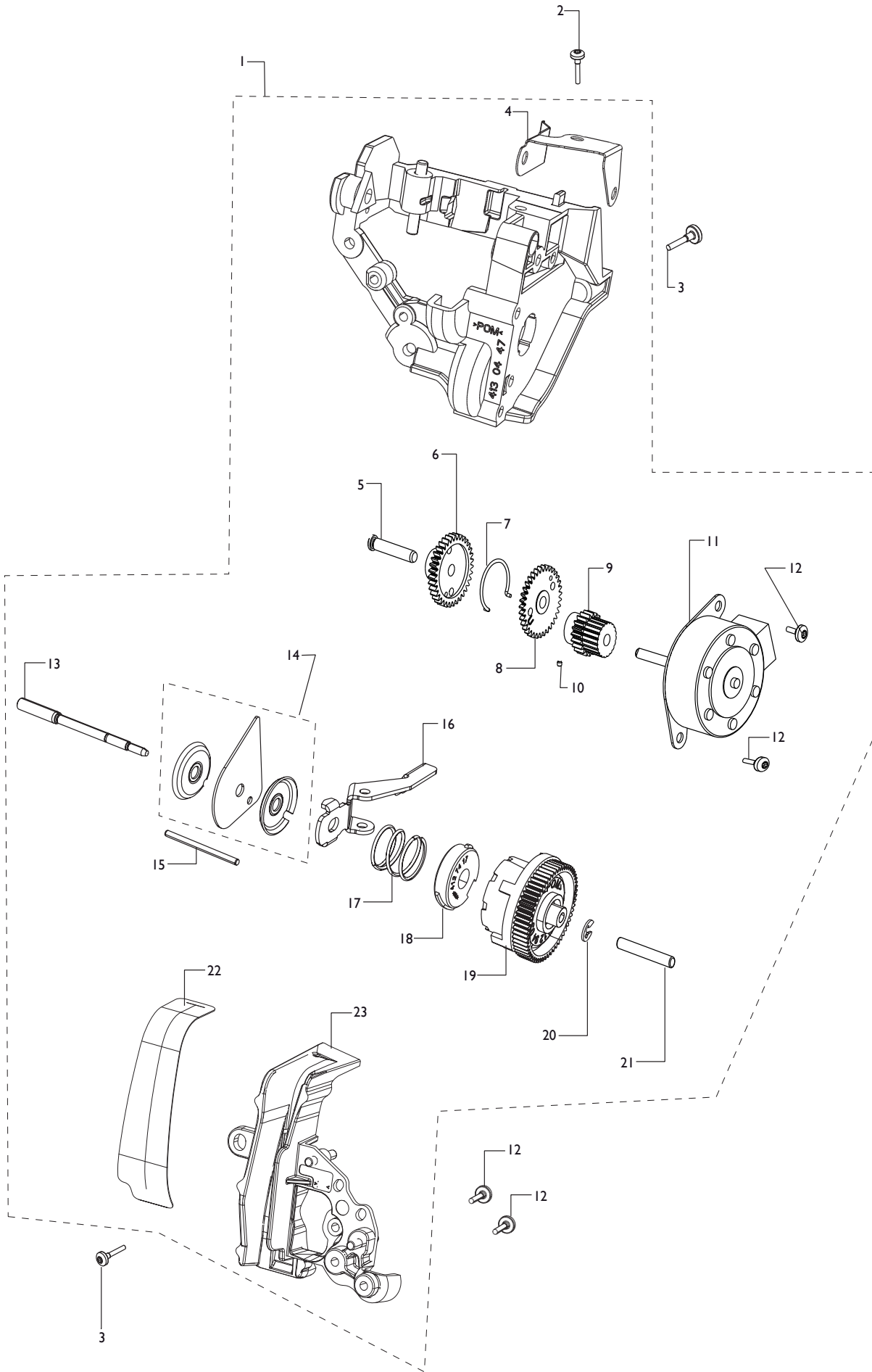
| | | |
|----|-----------|------------------------------|
| 1 | 411966801 | SCREW PT 30*7,5 FZB TORX |
| 2 | 413015501 | CONN.BOARD SERVO SENS. |
| 3 | 413005901 | STEPPING MOTOR CPL. |
| 4 | 411966820 | SCREW 30*10 FZB KOMBITORX |
| 5 | 412974201 | GEARHOUSE, SERVO |
| 6 | 412316010 | INA PIN NRB 3*17,8 03UM |
| 7 | 412974301 | GEARWHEEL SERVO PRIMO |
| 8 | 412974401 | GEARWHEEL SERVO SEC. |
| 9 | 412546912 | CABLE ASSEMBLY (18P) |
| 10 | 412973901 | SHIELD, PRESSERFOOT SERVO |
| 11 | 413261601 | GUIDE,SERVO CPL. |
| 12 | 413300302 | TAKE UP LEVER CPL. WITH LINK |
| 13 | 735615340 | COMPRESSION RINGS Ø6 |
| 14 | 413047401 | LINK |
| 15 | 411980601 | WASHER |
| 16 | 412001301 | SPRING WASHER Ø 6.1/9X0,1 |
| 17 | 735613640 | COMPRESSION RINGS Ø4 |
| 18 | 412281902 | SCREW FLANGE M4*14 TT TORX |
| 19 | 413031001 | BUTTONSENS. CONN. ASS. |
| 20 | 411966821 | SCREW PT 18*10 FZB TORX |
| 21 | 412211404 | SCREW M3*10 TORX |
| 22 | 411968703 | SET SCREW FLAT, M3*3 TORX |
| 23 | 413057201 | GEAR, ZZ |
| 24 | 412993901 | STEPPING MOTOR |
| 25 | 413181802 | LAMP, 24V, 5W |
| 26 | 412966501 | CALIBRATION KNOB |
| 27 | 413019001 | SCREW K 30*8 PT WN 1452 S |
| 28 | 412993501 | STROKE LIMITER |
| 29 | 412211401 | SCREW M3*4 TORX |
| 30 | 413060301 | CLIPS, GABLE LOWER |
| 31 | 412500601 | BEARING |
| 32 | 412501501 | BEARING 10/6,354 |
| 33 | 412504701 | LOCKING DEVICE |
| 34 | 413244201 | SEWING HEAD CPL. |
| 35 | 413094303 | NEEDLE BAR CPL |
| 36 | 413094701 | SCREW THREAD GUIDE |
| 37 | 413094801 | NEEDLE SCREW |
| 38 | 413094602 | THREAD GUIDE |
| 39 | 412993601 | CROSS HEAD CPL. |
| 40 | 413039201 | HOLDER PRESSER FOOT CPL. |
| 41 | 413040401 | SCREW HOLDER PRESSER FOOT |
| 42 | 820773096 | STANDARD PRESSER FOOT W. IDT |
| 43 | 412285403 | PRESSER BAR |
| 44 | 413045801 | PRESSER BAR GUIDE SERVO, IDT |
| 45 | 411966825 | SCREW PT 16*8 FZB TORX |
| 46 | 412876701 | WASHER, NEEDLE THREADER |
| 47 | 413238402 | NEEDLE THREADER |
| 48 | 413053601 | HOLDER, NEEDLE THREADER |
| 49 | 725522805 | SCREW M3*16 INSEX |
| 50 | 728522205 | SOCKET SET SCREW FLAT POINT |
| 51 | 412966601 | WEDGE |

J



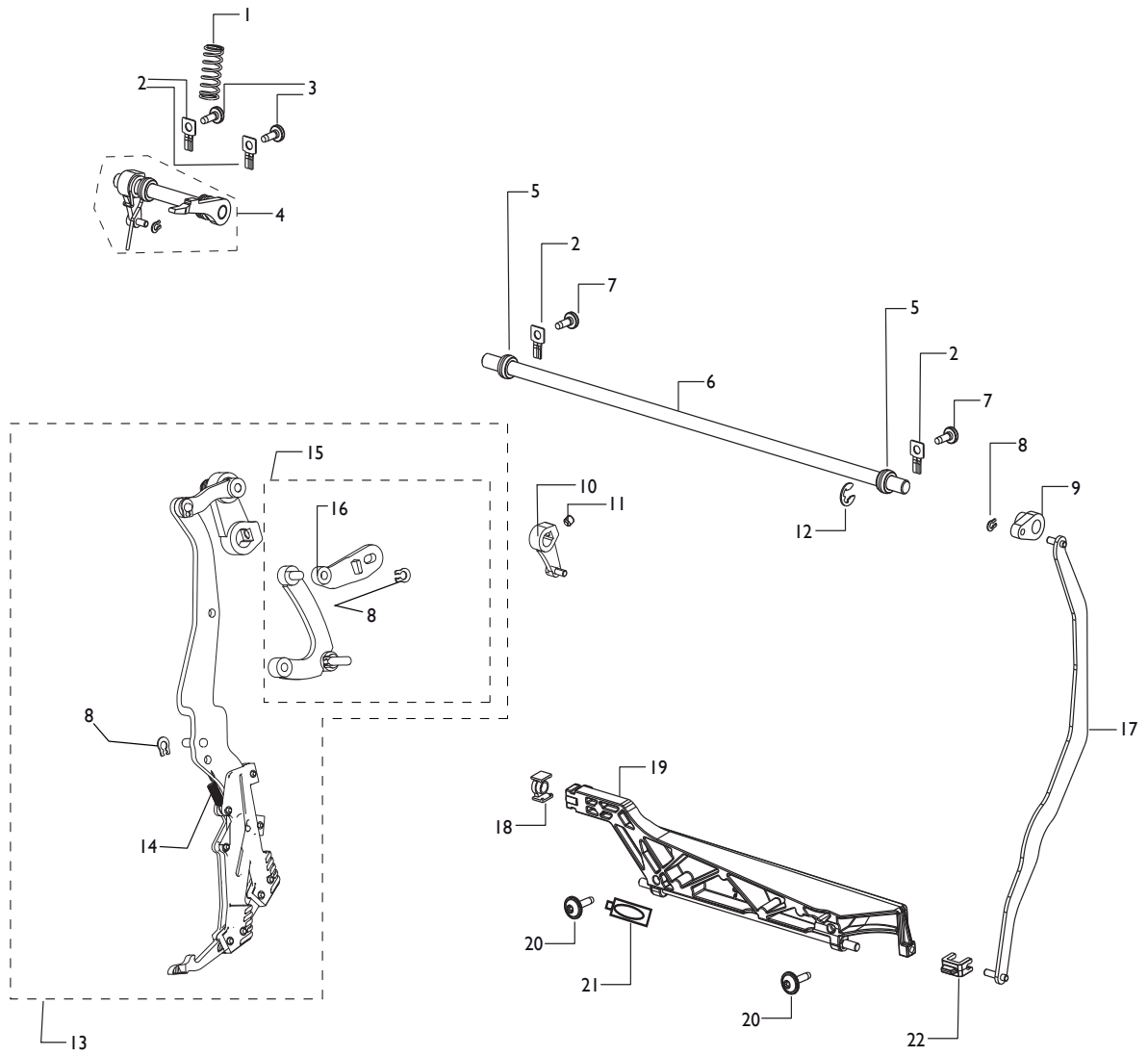
| | | |
|----|-----------|----------------------------------|
| 1 | 412940201 | THREAD TENSION ASS. |
| 2 | 411966803 | SCREW PT 30*12 FZB TORX |
| 3 | 411966807 | SCREW PT 40*10 FZB TORX |
| 4 | 413128501 | CONTACT SPRING |
| 5 | 412940101 | SHAFT, THREAD TENSION |
| 6 | 413106402 | THREAD DISK KIT |
| 7 | 413113201 | PIN |
| 8 | 412962801 | ADJUSTING SCREW, FEED DOG |
| 9 | 412940501 | RELEASE LEVER, THREAD TENSION |
| 10 | 413159501 | COMPRESSION SPRING, THREAD TENS. |
| 11 | 412741701 | NUT, THREAD TENSION |
| 12 | 412940404 | SPRING HOUSE THREAD TENSION |
| 13 | 413046701 | ADJUSTING DIAL |
| 14 | 735310620 | LOCK WASHER 2.3 |
| 15 | 413218502 | SEALING, TAKE UP LEVER, VER2 |
| 16 | 413232201 | SHIELD, TAKE UP LEVER ASS. VER2 |
| 17 | 411966820 | SCREW 30*10 FZB KOMBITORX |

J2



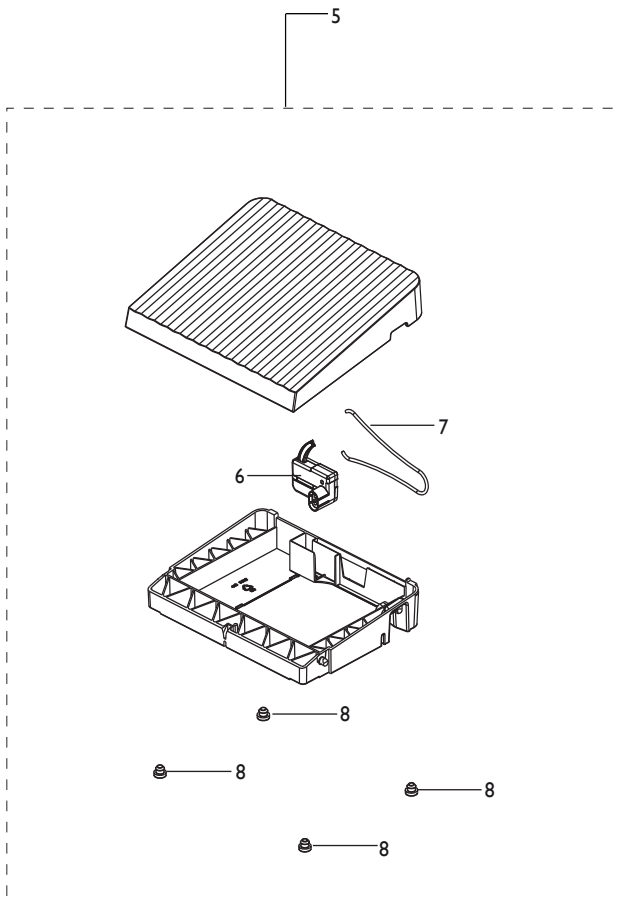
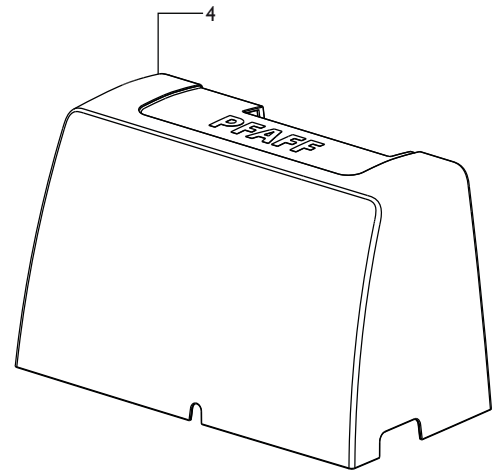
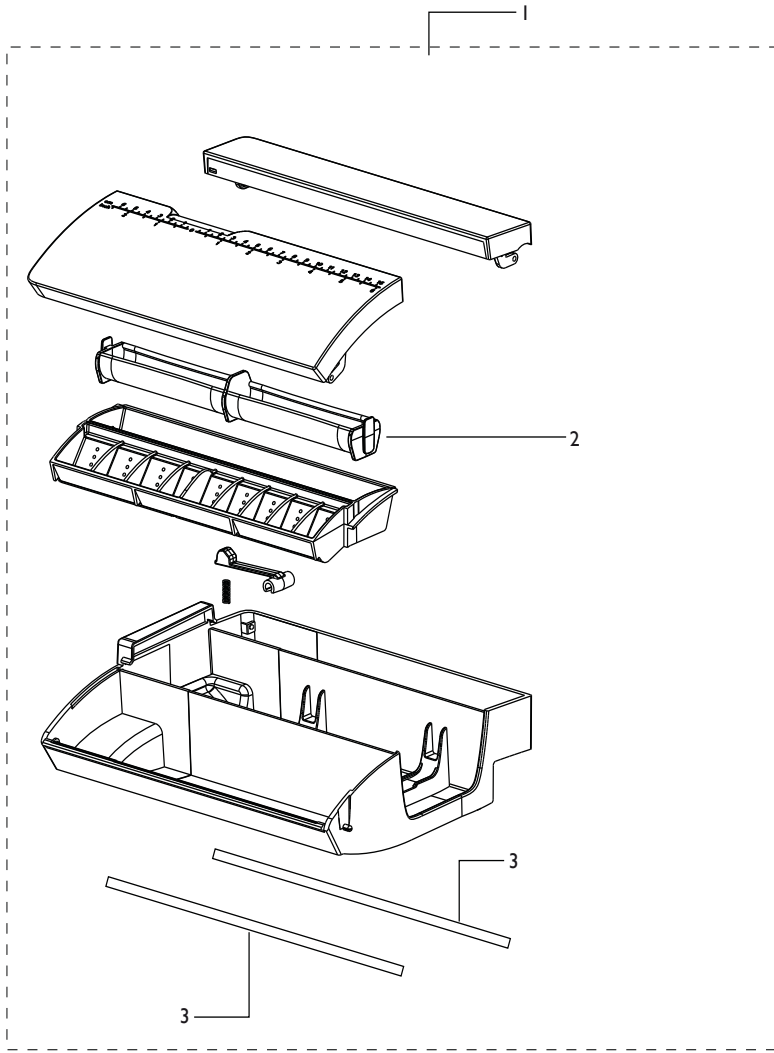
| | | |
|----|-----------|----------------------------------|
| 1 | 412940203 | THREAD TENSION ASS. |
| 2 | 411966803 | SCREW PT 30*12 FZB TORX |
| 3 | 411966807 | SCREW PT 40*10 FZB TORX |
| 4 | 412940602 | CONTACT SPRING |
| 5 | 413056002 | SHAFT, THREAD TENSION |
| 6 | 413059101 | INTERMEDIATE GEAR, FIXED |
| 7 | 412442801 | SPRING GEAR WHEEL |
| 8 | 413059202 | INTERMEDIATE GEAR, MOVABLE |
| 9 | 412742401 | GEAR, FIXED |
| 10 | 411968703 | SET SCREW FLAT, M3*3 TORX |
| 11 | 412993903 | STEPPING MOTOR |
| 12 | 411966820 | SCREW 30*10 FZB KOMBITORX |
| 13 | 412940101 | SHAFT, THREAD TENSION |
| 14 | 413106402 | THREAD DISK, KIT |
| 15 | 413113201 | PIN |
| 16 | 412940501 | RELEASE LEVER, THREAD TENSION |
| 17 | 413159501 | COMPRESSION SPRING, THREAD TENS. |
| 18 | 412741701 | NUT, THREAD TENSION |
| 19 | 412940404 | SPRING HOUSE THREAD TENSION |
| 20 | 735310620 | LOCK WASHER 2.3 |
| 21 | 412316060 | INA PIN NRB 3*23,8 02UM |
| 22 | 413218502 | SEALING, TAKE UP LEVER, VER2 |
| 23 | 413232201 | SHIELD, TAKE UP LEVER ASS.VER2 |

K

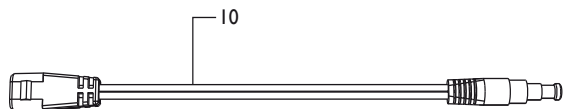
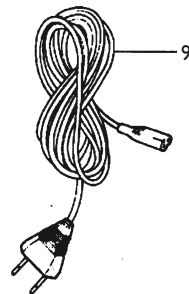


| | | |
|----|-----------|--------------------------------|
| 1 | 413065901 | COMPRESSION SPRING, HEIGHT CAM |
| 2 | 413042901 | CLAMP, IDT |
| 3 | 411966820 | SCREW 30*10 FZB KOMBITORX |
| 4 | 413065701 | HEIGHT SHAFT, IDT CPL. |
| 5 | 413042601 | BEARING, IDT |
| 6 | 413042401 | SHAFT UPPER, IDT |
| 7 | 412056005 | SCREW TAPITTE M4*10 TORX |
| 8 | 735612440 | COMPRESSION RINGS Ø3 |
| 9 | 413042501 | REAR CRANK, IDT |
| 10 | 413046201 | HEIGHT CRANK, IDT CPL. |
| 11 | 411968706 | SET SCREW FLAT, M4*4 TORX |
| 12 | 735310920 | SNAP RING E5 |
| 13 | 413043201 | ARM, IDT CPL. |
| 14 | 413043101 | COMPRESSION SPRING |
| 15 | 413140801 | TOGGLE LINK, IDT CPL. |
| 16 | 413043601 | LOWER SLEWING BRACKET, IDT |
| 17 | 413043001 | LINK, IDT, LONG |
| 18 | 413042201 | FEEDER BEARING, IDT |
| 19 | 413041901 | CONNECTOR FEEDER, IDT |
| 20 | 411967212 | SCREW TAPITTE FS M4*12 TORX |
| 21 | 413140701 | CLAMP SHAFT, IDT |
| 22 | 413042001 | CLAMPING, IDT |

L



POWERCORD



| | | |
|----|-----------|-------------------------------|
| 1 | 413083903 | ACCESS.BOX CPL W. SPOOL HOLD. |
| 2 | 412737401 | BOBBIN HOLDER |
| 3 | 412529702 | FRICITION TAPE |
| 4 | 413071902 | COVER CPL. |
| 5 | 412991401 | FOOT CONTROL CPL. GREY N.WIND |
| 6 | 412318901 | CONTROL UNIT INCL.CARD |
| 7 | 412159801 | SPRING |
| 8 | 412184501 | FOOT |
| 9 | 412157801 | NET CABLE 220V |
| | 412157902 | NET CABLE 120V JAP |
| | 412157903 | NET CABLE 120V |
| | 412158002 | NET CABLE GB |
| | 412158101 | NET CABLE AU |
| 10 | 413021501 | CABLE, FOOT CONTROL |

Standard Accessories Expression 2.0 / 3.0

413 02 1608 Accessory bag cpl.
401 55 5501 Brush
412 38 1501 Screwdriver
401 53 9901 Cutter
413 10 5601 Clearance plate
820 793096 Bobbin 10 pack
820 774096 Presserfoot 1A Fancy stitchfoot w IDT
820 256096 Presserfoot 3 Blindhemfoot w IDT
820 248096 Presserfoot 4 Zipperfoot
820 672096 Presserfoot 5M Man. Buttunhole foot
413 03 9601 Darningfoot
820 249096 Presserfoot 7 Rolled hem foot w IDT
412 61 0701 Felt pad
413 15 0701 Needle box, Inspira
412 57 0101 Sleeve, lamp
412 39 7701 Thread net 15X100
413 05 1602 Spoolholder 35mm
413 17 0301 Sensormatic buttonhole foot cpl.
9880242200000 Edge ruler

Standard Accessories Quilt Expression 4.0

413 02 1609 Accessory bag cpl.
401 55 5501 Brush
412 38 1501 Screwdriver
401 53 9901 Cutter
413 10 5601 Clearance plate
820 793096 Bobbin 10 pack
820 774096 Presserfoot 1A Fancy stitchfoot w IDT
820 256096 Presserfoot 3 Blindhemfoot w IDT
820 248096 Presserfoot 4 Zipperfoot
820 672096 Presserfoot 5M Man. Buttunhole foot
820 671096 Presserfoot 6A Emb. foot
820 249096 Presserfoot 7 Rolled hem foot w IDT
820 211096 Quilt foot
412 61 0701 Felt pad
413 15 0701 Needle box, Inspira
412 57 0101 Sleeve, lamp
412 39 7701 Thread net 15X100
413 05 1602 Spoolholder 35mm
413 17 0301 Sensormatic buttonhole foot cpl.
9880242200000 Edge ruler

Users Guide Expression 2.0/3.0/QE4.0

413 13 6001 Swe
413 13 6006 Den
413 13 6007 Isl
413 13 6010 Jap
413 13 6011 Fin
413 13 6021 Norw
413 13 6026 Eng
413 13 6031 Fra
413 13 6036 Holl
413 13 6041 Ita
413 13 6046 Spa
413 13 6051 Ger
413 13 6056 Rus
413 13 6090 Cze

PFAFF®

Technische Änderungen vorbehalten
Subject to alterations in design
Sous toute réserve de modifications
techniques
Salvo modificaciones técnicas
Con riserva di modifiche tecniche