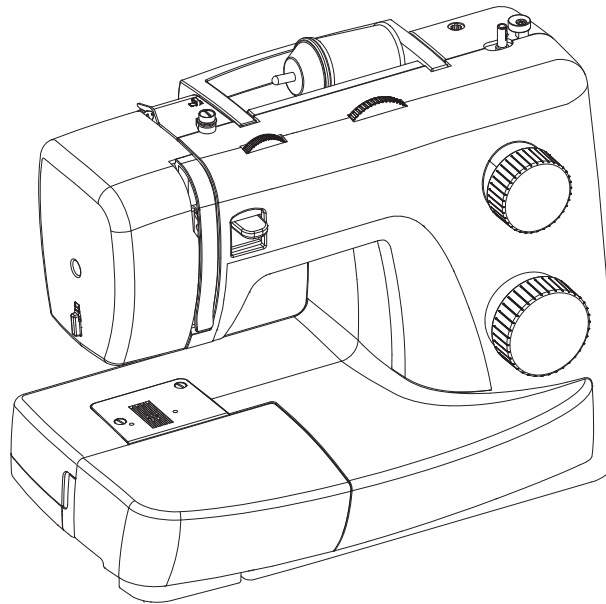




3210

3223

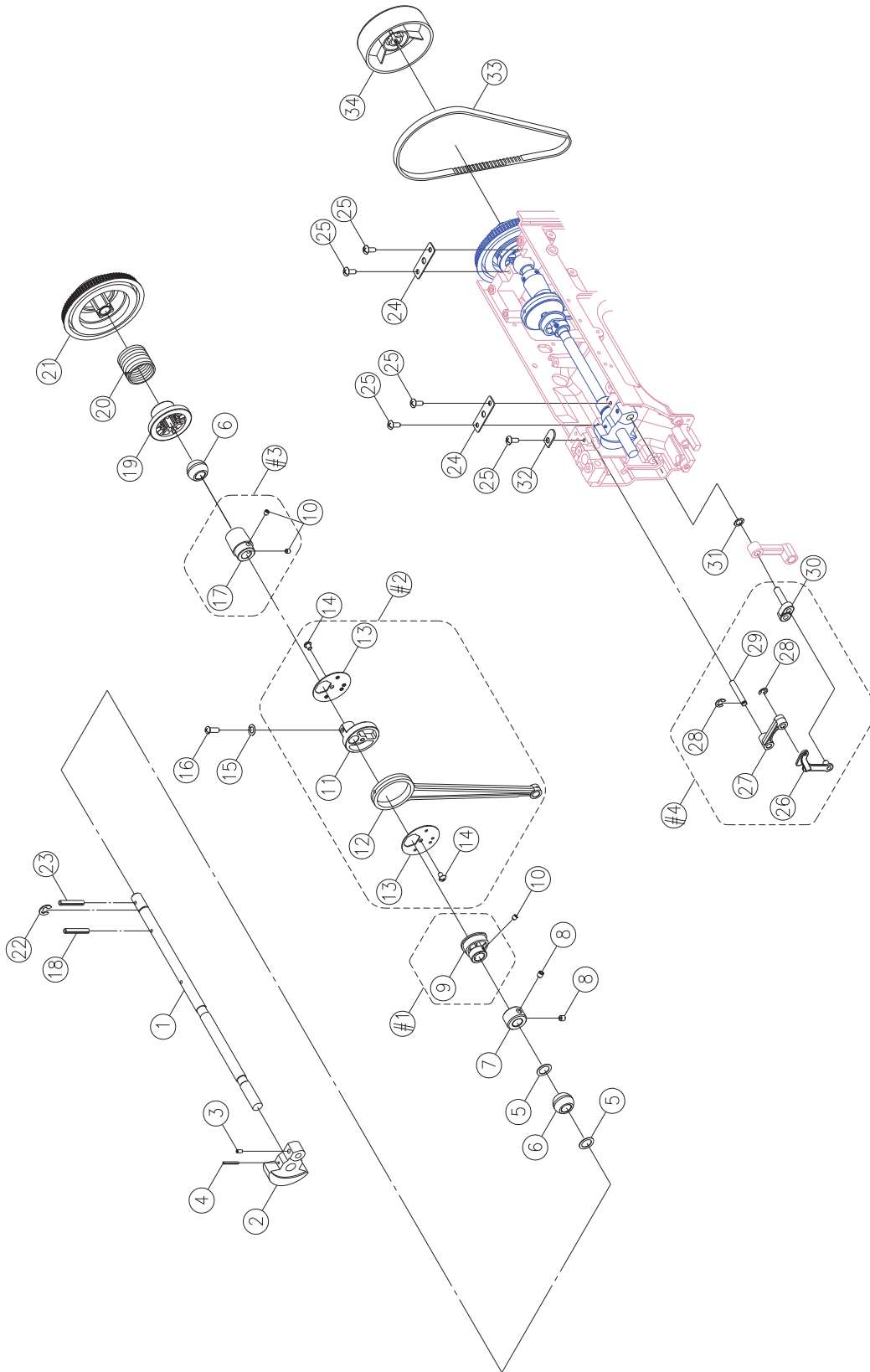
3229



Liste de pièces  
Lista de Piezas  
Parts List

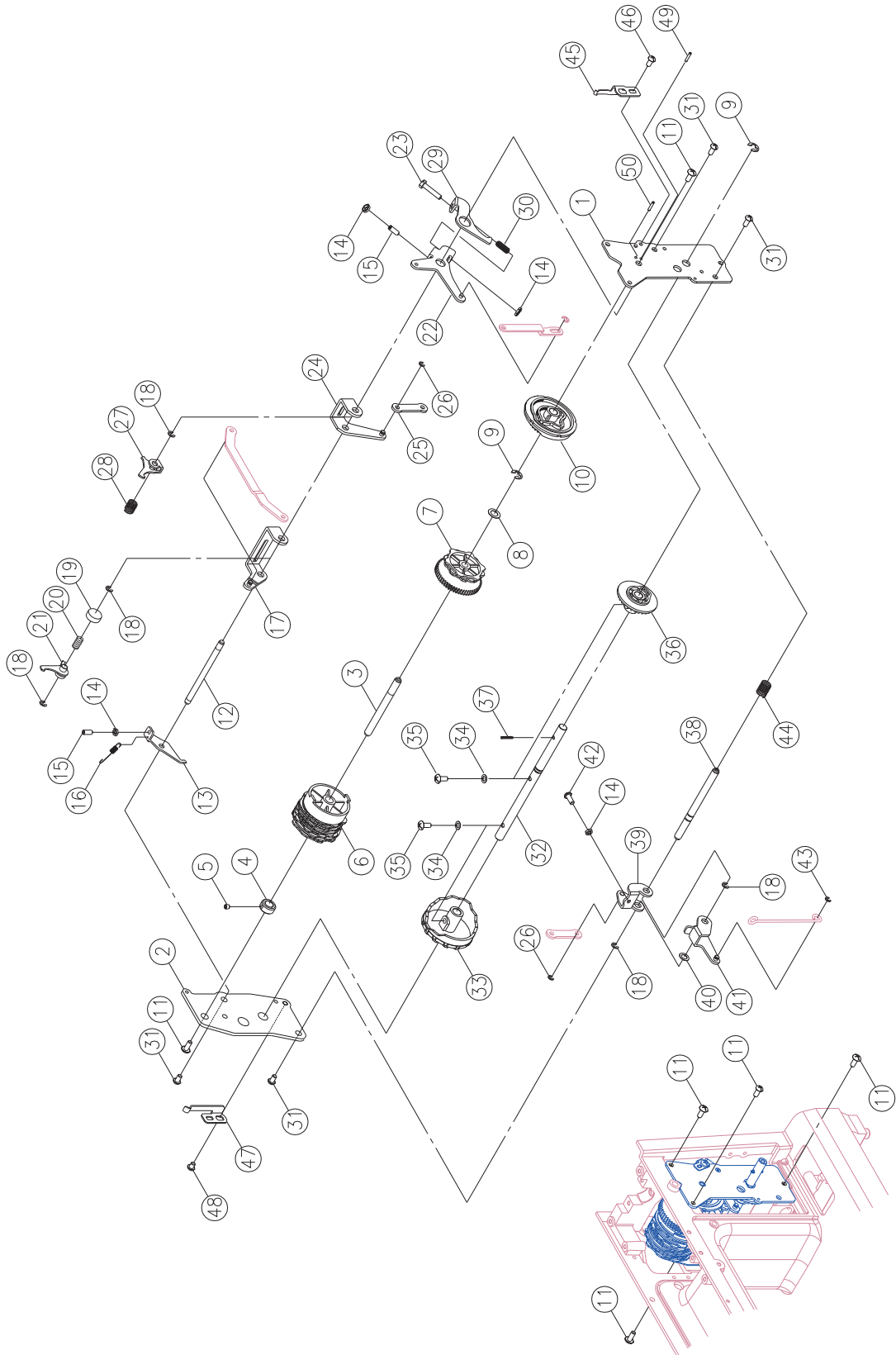
® A registered trademark of The Singer Company Ltd. or its affiliates.  
® *Una marca registrada de The Singer Company Ltd. o sus afiliados.*  
® *Une marca déposée de The Singer Company Ltd. ou ses filiales.*

# A



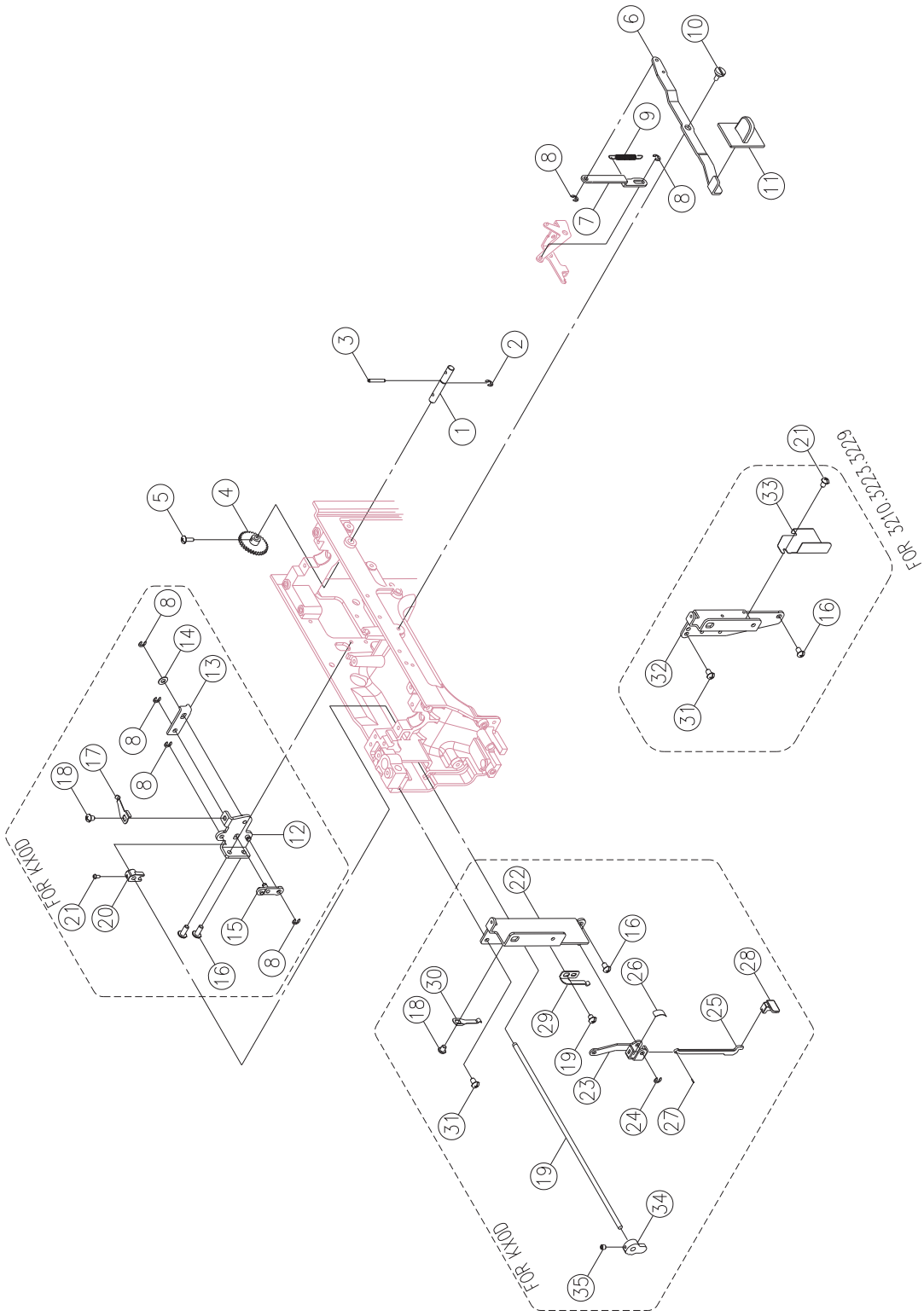
Pos	Part No.	Description
1		ARM SHAFT
2		ARM SHAFT BALANCE
3		SET SCREW(M4×6 C)
4		ARM SHAFT BALANCE PIN (φ3.5×24)
5		ENDURE ATTRITION WASHER (10.2×15×0.5)
6		ARM SHAFT BUSING
7		ARM SHAFT COLLAR
8		SET SCREW(M5×5 C)
9		FEED CAM
10		SET SCREW(M4×4 C)
11		CRANK CONNECTING ROD CAM
12		CRANK CONNECTING ROD
13		CRANK CONNECTING ROD COVER
14		SET SCREW (M4X4 B)
15		WASHER(4.2×7.2×1.2)
16		SET SCREW(11/64×40×12)
17		ARM SHAFT WORM
18		SPRING PIN(φ3×28)
19		ARM SHAFT COLLAR
20		ARM SHAFT CLUTCH ANNULUS SPRING
21	68003212	ARM SHAFT DRIVER BELT PULLEY
22	416542901	E-RING (ETW-8)
23		SPRING PIN(φ3×30)
24		ARM SHAFT BUSHING HOLDER PLATE
25		SET SCREW(M4×8 A)
26		THREAD TAKE UP LEVER
27		THREAD TAKE UP LEVER SUPPORTER
28		E-RING (ETW-4)
29		THREAD TAKE UP LEVER SUPPORTER SHAFT
30		ARM SHAFT BALANCE PIN
31		ENDURE ATTRITION WASHER (6.2×12×0.25)
32		CARRYING HANDLE PLATE
33	270 007158XXL5	MOTOR DRIVE BELT (158XXL)
34	416495001	HAND WHEEL
#1		FEED CAM COMPLETE
#2		CRANK CONNECTING ROD COMPLETE
#3		ARM SHAFT WORM COMPLETE
#4	416147201	THREAD TAKE UP LEVER COMPLETE

# B



Pos	Part No.	Description
1		PATTERN CAM CONTACT PLATE (FRONT)
2		PATTERN CAM CONTACT PLATE (BACK)
3		PATTERN CAM SHAFT
4		PATTERN CAM SHAFT COLLAR
5		SET SCREW(M4×4C)
6		PATTERN CAM
7		SS CAM
8		WASHER(φ8.2×φ14×0.5)
9		E-RING ( ETW-6 )
10		FEED REGULATOR CAM
11		SET SCREW (M4×8 A)
12		ZIGZAG CAM CONTACT SUPPORTER SHAFT
13		ZIGZAG RELEASE PLATE
14		NUT ( ALN-4 )
15		SET SCREW (M4×0.7 L9)
16		ZIGZAG RELEASE PLATE SPRING
17		ZIGZAG CAM CONTACT SUPPORTER
18		E-RING ( ETW-5 )
19		SPRING PEDESTAL
20		ZIGZAG CAM CONTACT SPRING
21		ZIGZAG CAM CONTACT
22		FEED ADJUST CRANK
23		SET SCREW (M4×20)
24		SS CAM CONTACT SUPPORTER
25		FEED ROCK SHAFT
26		E-RING (ETW-3)
27		SS CAM CONTACT
28		SS CAM CONTACT SPRING
29		BH FEED CRANK
30		BH SPRING
31		SET SCREW(M3×8 B)
32		PATTERN SELECTOR CAM SHAFT FOR 3210, 3223
32		PATTERN SELECTOR CAM SHAFT FOR 3229
33		PATTERN SELECTOR CAM FOR 3210, 3223
33		PATTERN SELECTOR CAM FOR 3229
34		WASHER (φ4.2×φ9×0.5 )
35		SET SCREW (M4×10)
36		BH PATTERN SELECTOR CAM
37		SPRING PIN (Ø2.5×16)
38		FEED CRANK SHAFT
39		FEED ADJUSTING CRANK
40		WASHER(φ6.7×φ14×0.8)
41		CRANK SHAFT
42		SET SCREW (M4×10B)
43		E-RING (ETW-4)
44		TENSION LEVER LIFTER SPRING
45		FEED REGULATOR FIX PLATE
46		SET SCREW (M4×4B)
47		PATTERN FIX SPRING PLATE
48		SET SCREW (M4×5B)
49		SPRING PIN (Ø2.5×10)
49		SPRING PIN (Ø2×8)
		FOR 3223, 3229
		FOR 3223, 3229
		FOR 3210, 3223
		FOR 3229
		FOR 3210
		FOR 3210

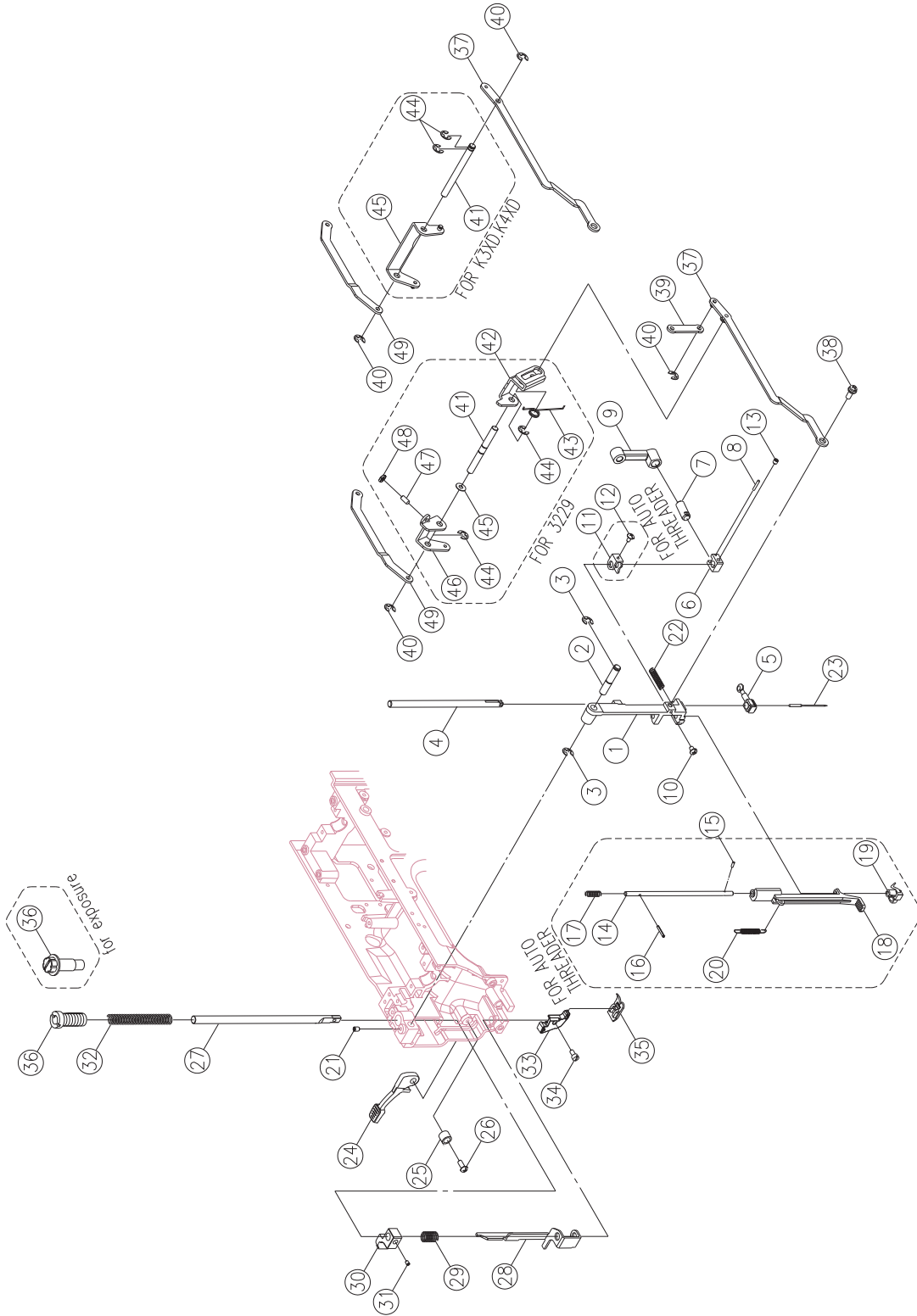
# C



TAKE CARE THE CIRCLED PARTS FOR THE MODEL YOU WANT.

Pos	Part No.	Description
1		FEED REGULATOR DIAL SHAFT
2		E-RING (ETW-5)
3		SPRING PIN (Ø2.5×16)
4		FEED REGULATOR GEAR
5		SET SCREW (M3×8 A)
6		REVERSE LEVER
7		REVERSE ROD
8		E-RING (ETW-3)
9		AUTO THREADED LEVER SPRING
10		SET SCREW (M4×6)
11		REVERSE BUTTON
12		BH SELECTOR PLATE
13		BH SLIDE PLATE
14		WASHER(4.2×9×0.5)
15		BH SELECTOR PLATE
16		SET SCREW(M4×8 A)
17		BH CAM PLATE
18		SET SCREW (M4×5 B)
19		BH MOVEMENT CRANK COMPLETE
20		BH SELECT CRANK
21		SET SCREW (M3×5 B)
22		BH LEVER PLATE COMPLETE
23		BH LEVER CRANK
24		E-RING (ETW-3)
25		BH LEVER
26		BH LEVER SPRING PLATE
27		SPRING PIN (Ø1.6×5)
28		BH LEVER BUTTON
29		BH POSITIONED PLATE
30		BH POSITIONED PLATE
31		SET SCREW(M4×6 B)
32		LAMP BRACKET
33		HEAT SHIELD

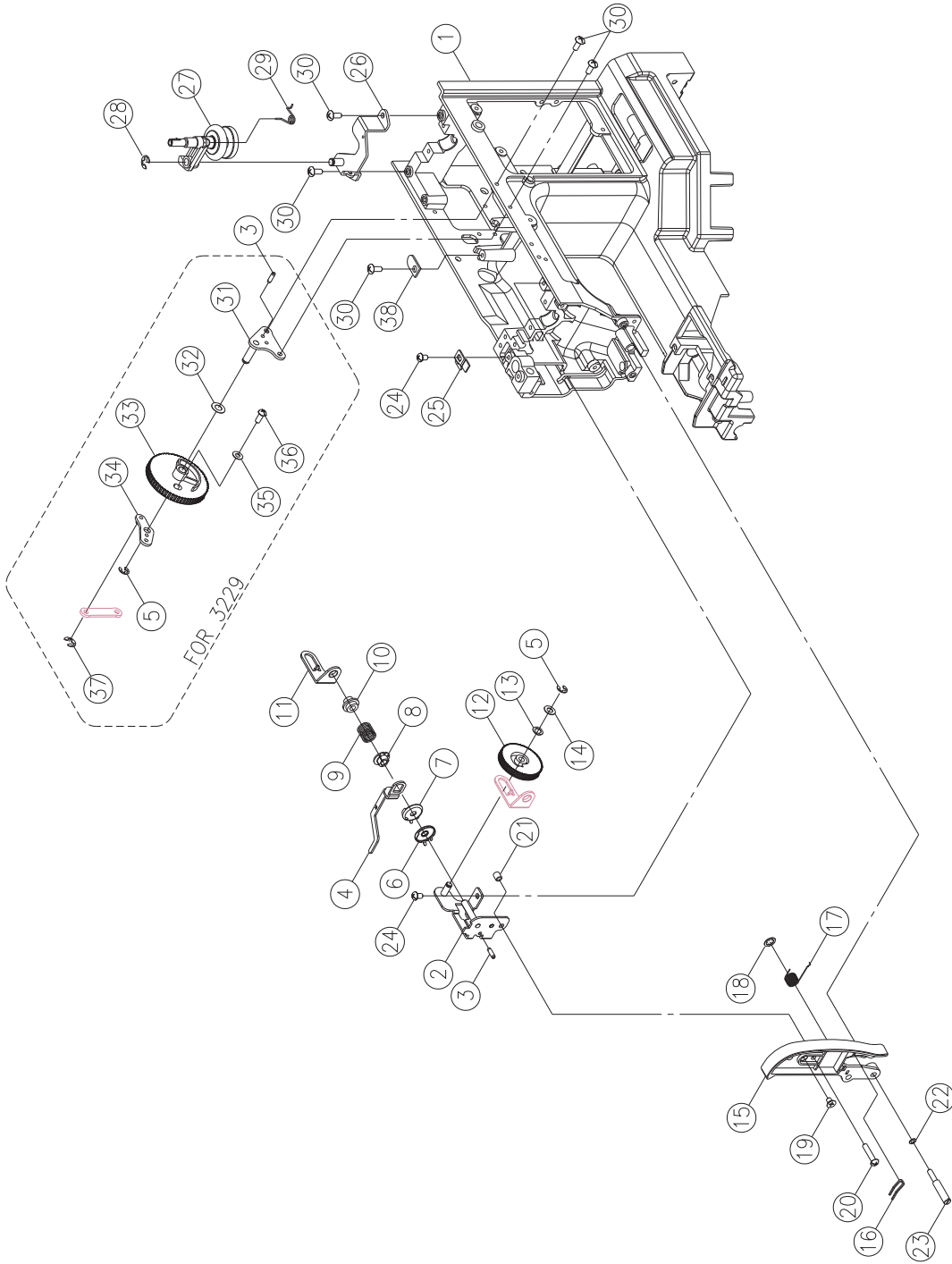
# D



TAKE CARE THE CIRCLED PARTS FOR THE MODEL YOU WANT.

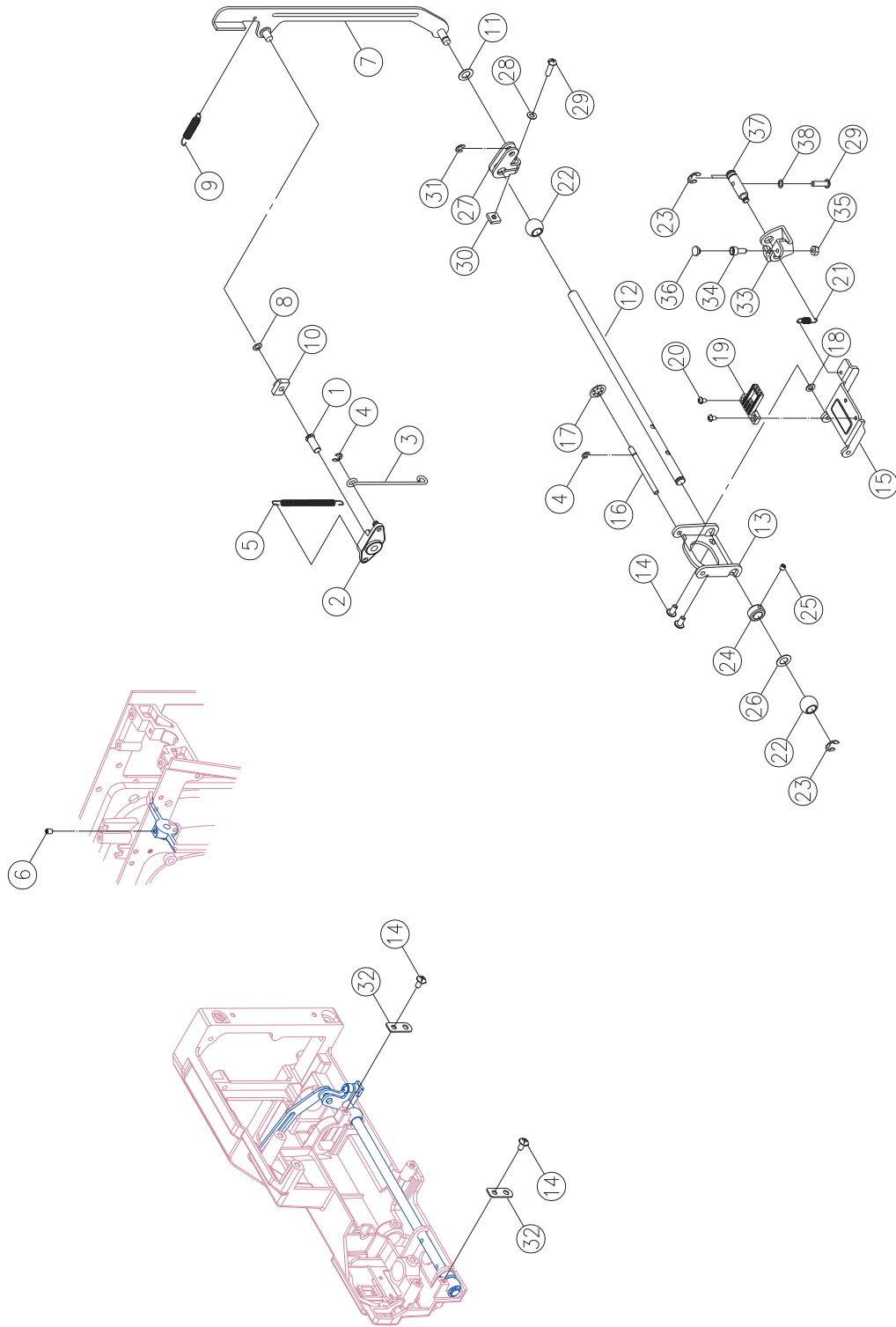


Pos	Part No.	Description	
1		NEEDLE BAR SUPPORTER	FOR AUTO THREADER
1		NEEDLE BAR SUPPORTER	
2		NEEDLE BAR SUPPORTER PIN	FOR AUTO THREADER
2		NEEDLE BAR SUPPORTER PIN	
3		E-RING (ETW-5)	
4		NEEDLE BAR	
5	416150301	NEEDLE CLAMP COMPLETE	
6		NEEDLE BAR BRACKET (1)	
7		NEEDLE BAR BRACKET (2)	
8		PIN ( $\phi$ 2×12)	
9		NEEDLE BAR CRANK ROD	
10		SET SCREW(9/64×40×6)	
11		SET SCREW (M4×4 C)	FOR AUTO THREADER
12		AUTO THREADER STOPPER	FOR AUTO THREADER
13		SET SCREW (M3×6 A)	
14		AUTO THREADER SHAFT	
15		SPRING PIN ( $\phi$ 2×6)	
16		SPRING PIN ( $\phi$ 2×14)	
17		AUTO THREADER SHAFT SPRING	
18		AUTO THREADER LERER	
19	416145801	AUTO THREADER	
20		AUTO THREADER LERER SPRING	
21		SET SCREW (M4×5 C)	
22		NEEDLE BAR SUPPORTER SPRING	
23		NEEDLE	
24	416466901	PRESSER BAR LIFTER LEVER	
25		PRESSER BAR LIFTER LEVER SCREW WASHER	
26		SET SCREW (M4×10 B)	
27		PRESSER BAR	
28		TENSION LEVER LIFTER	
29		TENSION LEVER LIFTER SPRING	
30		PRESSER BAR BRACKET	
31		SET SCREW(M6×5 C)	
32		PRESSER BAR SPRING	
33	416495501	SHANK COMPLETE	
34	416118401	SHANK SCREW (9/64×40×8)	
35	416128401	All purpose foot(J)	
36		PRESSER BAR REGULATING SCREW	FOR NON-EXPOSURE
36		PRESSER BAR REGULATING SCREW	FOR EXPOSURE
37		NEEDLE BAR DRIVING ROD	FOR 3210, 3223
37		NEEDLE BAR DRIVING ROD COMPLETE	FOR 3229
38		NEEDLE BAR DRIVING ROD PIN	
39		ZIGZAG WIDTH CRANK ROD	FOR 3229
40		E-RING (ETW-3) FOR 3229	
41		ZIGZAG CONTACT SUPPORTER SHAFT	FOR K30D
41		ZIGZAG CONTACT SUPPORTER SHAFT	FOR 3229
42		ZIGZAG WIDTH REGULATING CAM BOX	FOR 3229
43		ZIGZAG WIDTH SPRING	FOR 3229
44		E-RING (ETW-5)	
45		WASHER( $\phi$ 14× $\phi$ 6.2×3)	FOR 3229
46		ZIGZAG REGULATOR CRANK	FOR 3223
46		ZIGZAG REGULATOR CRANK	FOR K50D, K60D
47		SET SCREW (M4×9)	FOR 3229
48		NUT (M4×0.7) FOR 3229	
49		ROD	



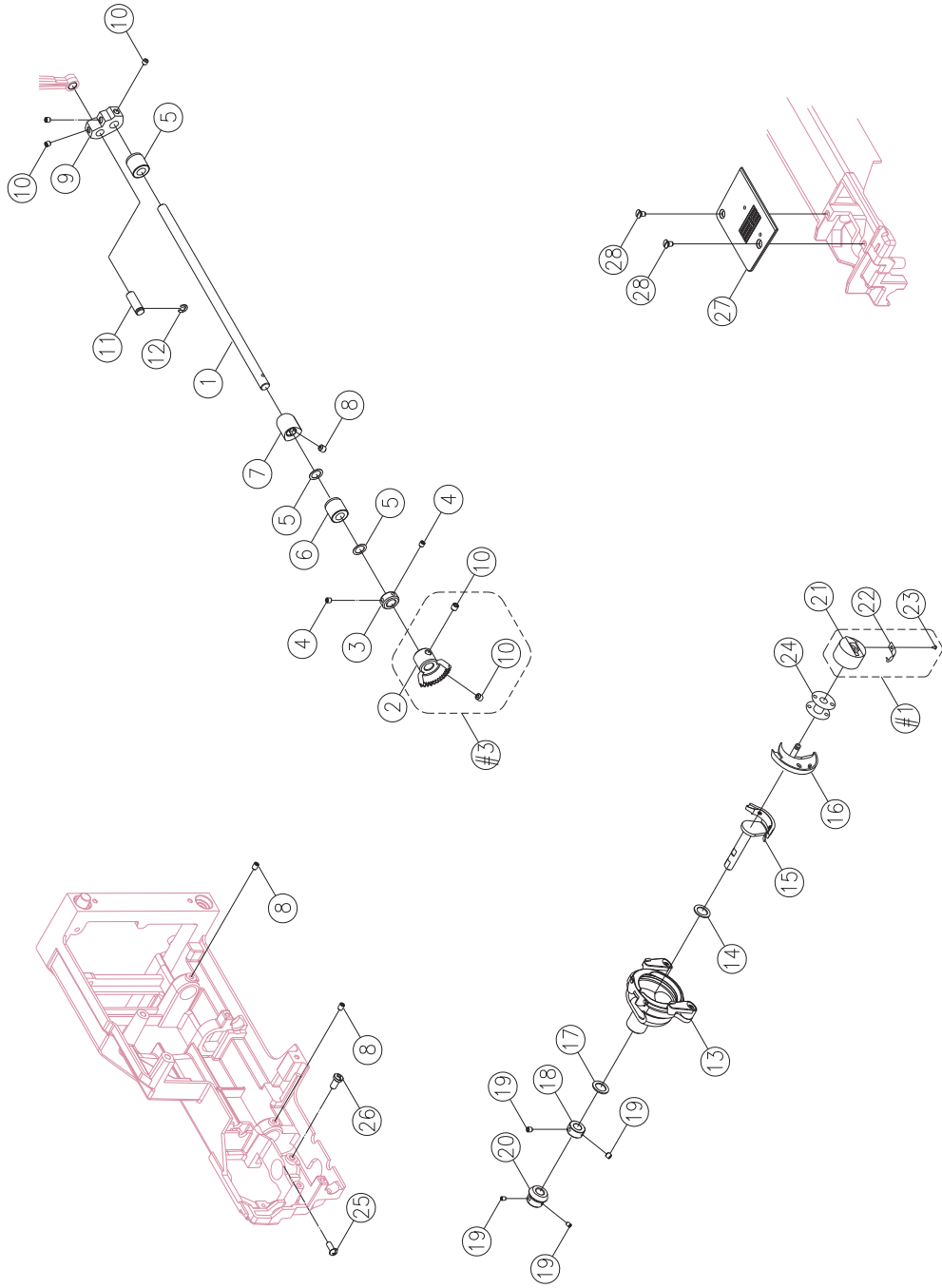
TAKE CARE THE CIRCLED PARTS FOR THE MODEL YOU WANT.

Pos	Part No.	Description
1		ARM
2		DIAL TENSION SUPPORTER PLATE
3		SPRING PIN ( $\phi$ 3×10)
4	416735101	DIAL TENSION WAFT PLATE
5		E-RING (ETW-4)
6	416153601	DIAL TENSION DISC (1)
7	416146301	DIAL TENSION DISC
8	416526801	DIAL TENSION SPRING REGULATOR
9		DIAL TENSION SPRING
10	416153801	DIAL TENSION REGULATOR
11		DIAL TENSION SPRING PLATE
12		DIAL TENSION KNOB
13		WASHER (WW-5)
14		WASHER ( $\phi$ 5.2× $\phi$ 10×0.5)
15		DIAL TENSION SUPPORTER PLATE COVER
16	416198701	THREAD GUIDE
17	416162601	DIAL TENSION SPRING
18		CS-RING (CSTW-5)
19		SET SCREW (M4×6 D)
20		SET SCREW (M4×15 B)
21		DIAL TENSION GUIDE SPRING TUBE
22		WASHER ( $\phi$ 4.2× $\phi$ 8×0.8)
23		SET SCREW (M4×0.7 L42)
24		SET SCREW(M4×6 B)
25		TENSION LEVER REGULATING PLATE
26		BOBBIN WINDER FRAME PLATE COMPLETE
27	416700601	BOBBIN WINDER CRANK COMPLETE
28		E-RING (ETW-5)
29	270 K6A0573003	BOBBIN WINDER CRANK SPRING
30		SET SCREW(M4×8 A)
31		ZIGZAG WIDTH DIAL PLATE FOR 3229
32		WASHER FOR 3229
33		ZIGZAG WIDTH DIAL FOR 3229
34		ZIGZAG WIDTH CRANK FOR 3229
35		WASHER (4.2×10×0.5) FOR 3229
36		SET SCREW (M4×10 B) FOR 3229
37		E-RING (ETW-3) FOR 3229
38		CARRYING HANDLE PLATE

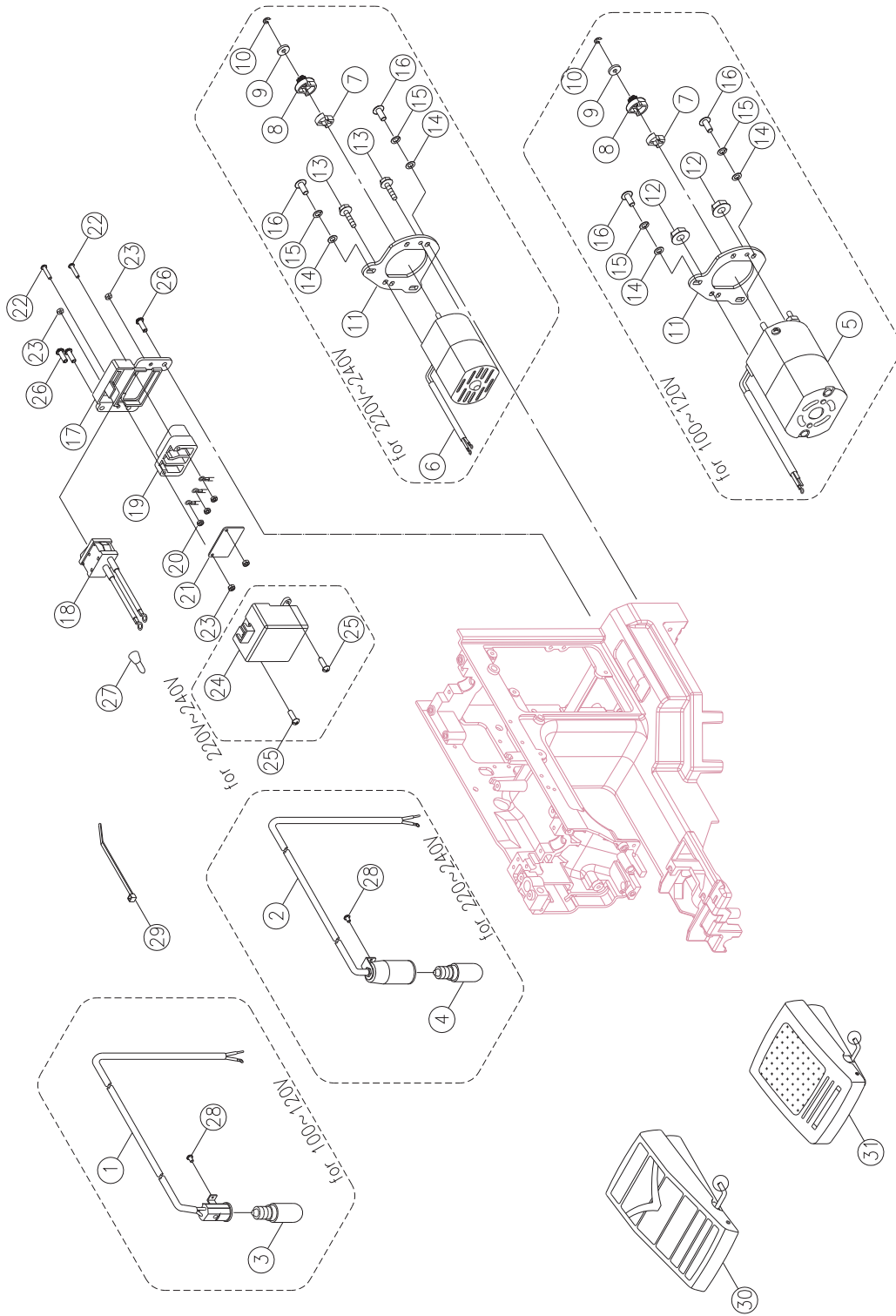


Pos	Part No.	Description
1		FEED REGULATING SHAFT
2		FEED REGULATING
3		FEED ROD
4		E-RING (ETW-4)
5		FEED REGULATING SPRING
6		SET SCREW (M4×6 C)
7		FORK ROD
8		ENDURE ATTRITION WASHER (5.7×10.2×0.5)
9		FORK ROD SPRING
10		FEED REGULATING BLOCK
11		ENDURE ATTRITION WASHER (5.5×12×0.25)
12		FEED ROCK SHAFT
13		FEET ROCK FRAME
14		SET SCREW (M4×8 A)
15		FEED DOG FRAME
16		FEED DOG FRAME SHAFT
17		NUT (SPN-4)
18		WASHER
19	416171601	FEET DOG
20		SET SCREW (M3×5 B)
21		FEED DOG FRAME SPRING
22		FEED ROCK BUSHING
23		E-RING (ETW-6)
24		PATTERN CAM SHAFT COLLAR
25		SET SCREW (M4×4 C)
26		ENDURE ATTRITION WASHER (8.2×12×0.25)
27		FEED ROCK CRANK
28		WASHER (4×8×0.5)
29		SET SCREW (M4×15 B)
30		FEED ROCK CRANK NUT (M4)
31		E-RING (ETW-4)
32		BUSHING HOLDER PLATE
33		FEED LIFTING ROCK CRANK
34		SEW SCREW
35		NUT (M4 t=3)
36		SEW SCREW KNOB
37		FEED LIFTING ROCK SHAFT
38		WASHER (4.2×7.2×1.2)

# G



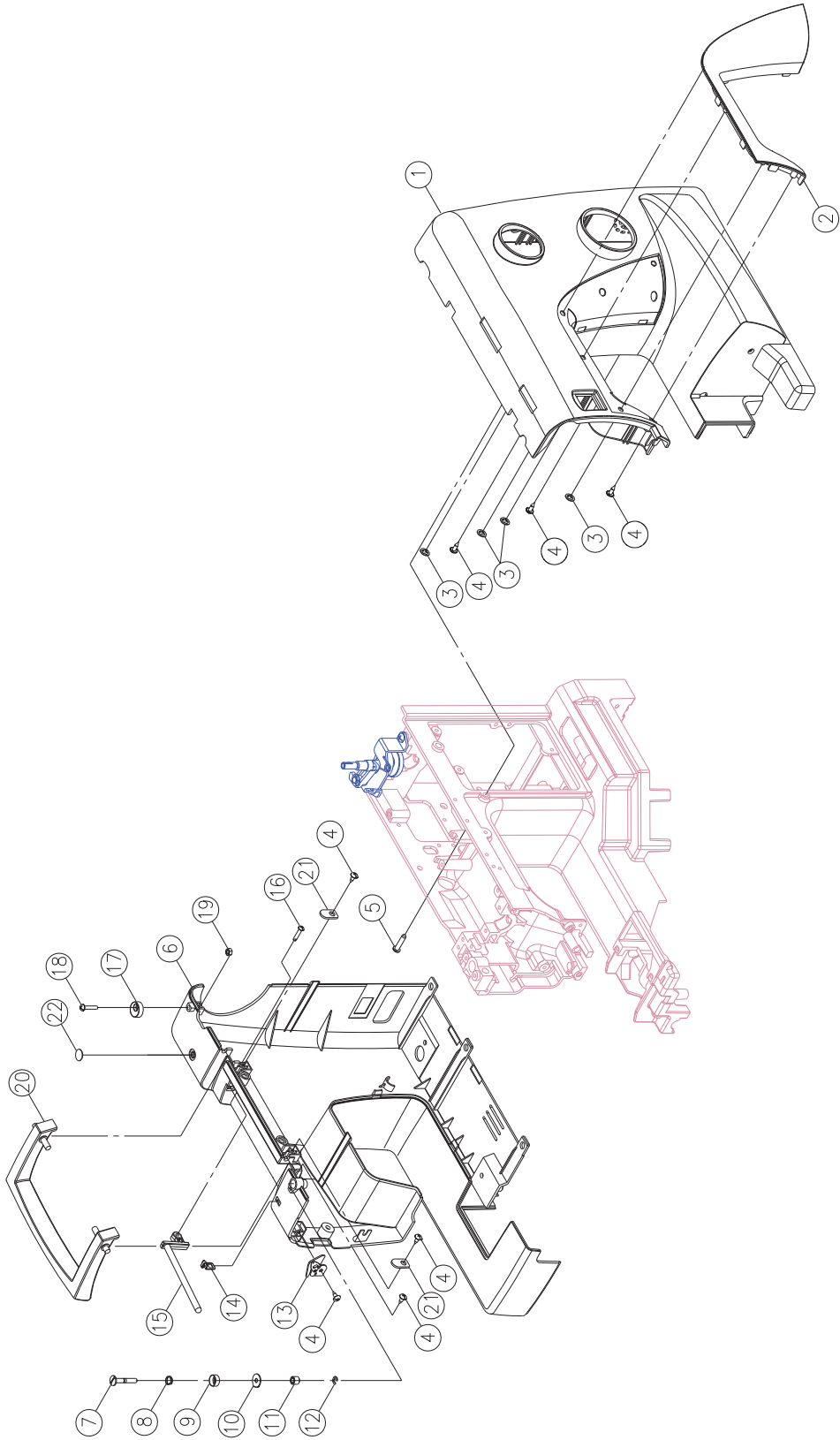
Pos	Part No.	Description
1		LOWER SHAFT
2		LOWER SHAFT GEAR
3		LOWER SHAFT COLLAR
4		SET SCREW (M4X4C)
5		ENDURE ATTRITION WASHER (8.2X12X0.25)
6		FEED ROCK BUSHING
7		FEED LIFTING ROCK CAM
8		SET SCREW (M4X6C)
9		CRANK CONNECTING ROD CRANK
10		SET SCREW (M5X5C)
11		CRANK CONNECTING ROD CRANK PIN
12		E-RING (ETW-5)
13	68000176	OPEN SHUTTLE RACE COMPLETE
14		ENDURE ATTRITION WASHER (7.6×12×0.13)
15		SHUTTLE DRIVER COMPLETE
16	416392101	SHUTTLE HOOK (4.6MM)
17		ENDURE ATTRITION WASHER (8.2×16×0.5)
18		SHUTTLE DRIVER SHAFT COLLAR
19		SET SCREW(11/64×40×4)
20		SHUTTLE DRIVER SHAFT GEAR
21		BOBBIN CASE
22		BOBBIN CASE SPRING
23		BOBBIN CASE SPRING SET SCREW
24	68000175	BOBBIN
25		SET SCREW (M4X10B)
26		SET SCREW (M5X10B)
27	416171501	NEEDLE PLATE
28	416122901	NEEDLE PLATE COMPLETE SET SCREW
#1	416153401	BOBBIN CASE COMPLETE
#2	416245801	LOWER SHAFT GEAR COMPLETE



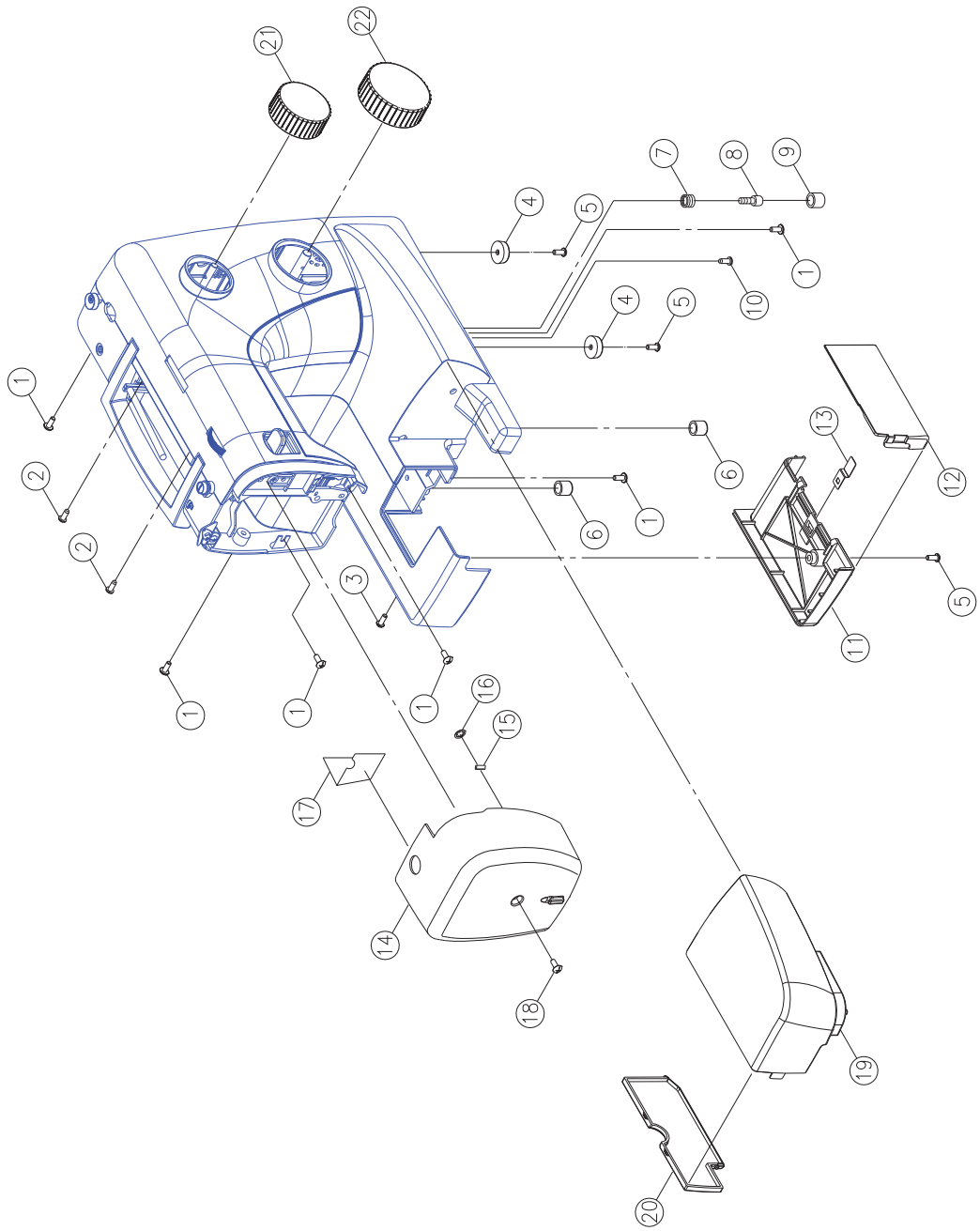
All voltage application & spec. ,please check next page.



Pos	Part No.	Description	
1		LAMP HOLDER COMPLETE	FOR 100~120V
2		LAMP HOLDER COMPLETE	FOR 220~240V
3	416467701	LAMP (15W) FOR 120V	
4	416766201	LAMP (15W E-12) FOR 220V	
4	416467801	LAMP (15W E-12) FOR 230~240V	
4	416127001	LAMP (15W E-12) FOR 240V	
5		MOTOR COMPLETE (HF-07150)	FOR 110V / TAIWAN
5	416528001	MOTOR COMPLETE (HF-07150)	FOR 120V / US
6		MOTOR COMPLETE (HF-06250)	FOR 220V / BRAZIL
6	270 001V881001	MOTOR COMPLETE (HF-07250)	FOR 220V / KOREA
6	416430001	MOTOR COMPLETE (HF-07250)	FOR 230V / E.U.R
6		MOTOR COMPLETE (HF-07250)	FOR 230V / DUBAI
6	270 001V881008	MOTOR COMPLETE (HF-07250)	FOR 230V / SAUDI ARABIA
6	416528301	MOTOR COMPLETE (HF-09250)	FOR 240V / U.K
6	270 001V881005	MOTOR COMPLETE (HF-09250)	FOR 240V / SAA
7		CUSHION RUBBER	
8		BELT WHEEL	
9		MOTOR FEED REGULATOR COLLAR	
10		E-RING (ETW-3)	
11		MOTOR BRACKET	
12		NUT (M4 T=5.5) FOR 100~120V	
13		SET SCREW (M4×10.2)	FOR 220~240V
14		WASHER (5.4×10×0.9)	
15		SPRING WASHER (5.2×9×1)	
16		SET SCREW (M5×12)	
17		RECEPTACLE HOLDER	
18	416115001	SWITCH ASS'Y	
19		receptacle	
20		NUT (M3×4)	
21		CONCERT INSULATION PLATE	FOR 220~240V
22		SET SCREW (M3×20 B)	
23		NUT (M3 T=2.3)	
24		RECEPTACLE HOLDER COVER	FOR 220~240V
25		SET SCREW (M3×8 B)	FOR 220~240V
26		SET SCREW (M4×12 B)	
27		END TERMED	
28		SET SCREW (M3×5 B)	
29		CORD CLIP	
30		FOOT CONTROLLER (KD-1902)	FOR 110V / BRAZIL
30	416183301	FOOT CONTROLLER (KD-1902)	FOR 120V / US
31		FOOT CONTROLLER (KD-2902)	FOR 220V / BRAZIL
31		FOOT CONTROLLER (KD-2902)	FOR 220V / SAUDI ARABIA
31	270 002V881004	FOOT CONTROLLER (KD-2902)	FOR 220V / KOREA
31	68001147	FOOT CONTROLLER (KD-2902)	FOR 230V / E.U.R
31		FOOT CONTROLLER (KD-2902)	FOR 230V / SOUTH AFRICA
31		FOOT CONTROLLER (KD-2902)	FOR 230V / DUBAI
31		FOOT CONTROLLER (KD-2902)	FOR 230V / ARGENTINA
31	416112701	FOOT CONTROLLER (KD-2902)	FOR 240V / U.K
31	416183701	FOOT CONTROLLER (KD-2902)	FOR 240V / SAA

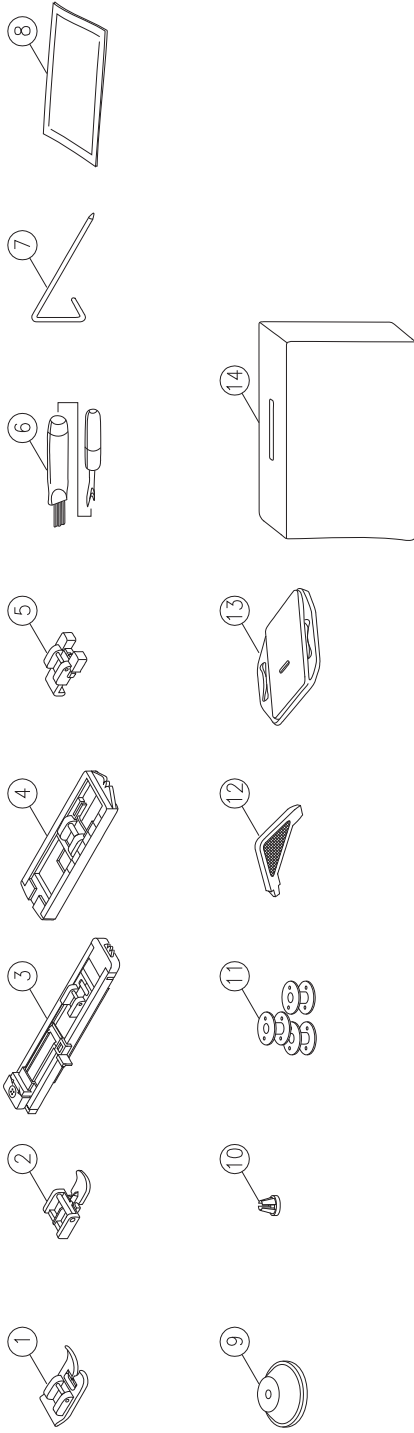


Pos	Part No.	Description	
1		FRONT COVER	FOR 3210, 3223
1		FRONT COVER	FOR 3229
2		FRONT DECORATED PLATE	FOR 3210
2		FRONT DECORATED PLATE	FOR 3223
2		FRONT DECORATED PLATE	FOR 3229
3		CS-RING (CSTW-4)	
4		SET SCREW (M3×8.5)	
5		SET SCREW (M4×15 B)	
6		BACK COVER	
7	416168101	BOBBIN WINDER THREAD GUIDE ADJUSTING	
8	416152401	BOBBIN WINDER THREAD GUIDE SPRING	
9	416152301	BOBBIN WINDER SPRING DISC	
10		BOBBIN WINDER THREAD GUIDE	
11	416146501	SPACER	
12		RING (ETW-3)	
13	416641101	THREAD GUIDE COMPLETE	
14	416145501	THREAD GUIDE	
15	68004413	SPOOL PIN BASE	
16		SET SCREW (M4×35 B)	
17	416554101	BOBBIN WINDER	
18		SET SCREW (9/64×40×16)	
19		NUT (9/64×40 t=3)	
20		HANDLE	
21		SET WASHER	
22		PLATE STICKER	

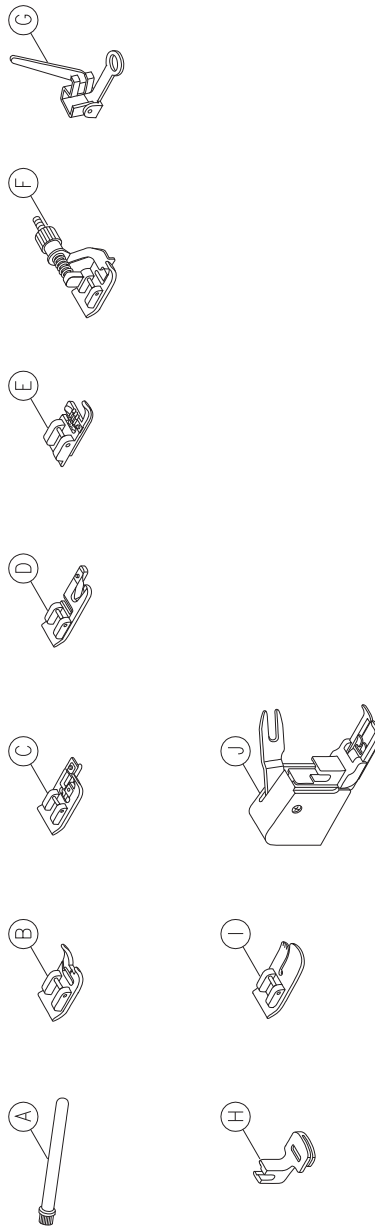


Pos	Part No.	Description
1		SET SCREW (M4X8 A)
2		SET SCREW (M4 X 10 B)
3		SET SCREW (M4×12 B)
4	270 J31413000	FREE ARM BASE CUSHION RUBBER
5		SET SCREW (M4 X 10 B)
6	416496401	FREE ARM BASE CUSHION RUBBER
7		BASE PLATE ADJUSTMENT SCREW
8		BASE PLATE ADJUSTMENT SCREW SPRING
9	416526101	FREE ARM BASE CUSHION
10		SET SCREW (M4X8 A)
11		BED COVER
12		HOOK COVER
13		HOOK COVER SPRING
14		FACE PLATE(WITHOUT HOLE FOR REGULATING)
14		FACE PLATE(HOLE FOR REGULATING)
15	416172501	CUTTER
16		CS-RING (CSTW-5)
17		HEAT RESISTANT PLATE
18		SET SCREW (M4X10 A)
19		SEWING TABLE BODY
20		SEWING TABLE BODY COVER
21		STITCH LENGTH DIAL FOR 3210
21		STITCH LENGTH DIAL FOR 3223, 3229
22		PATTERN DIAL FOR 3210
22		PATTERN DIAL FOR 3223
22		PATTERN DIAL FOR 3229

## STANDARD ACCESSORIES



## OPTIONAL ACCESSORIES



Pos	Part No.	Description
1	416128401	ALL PURPOSE FOOT (J)
2	416128701	ZIPPER FOOT (I)
3		BUTTONHOLE FOOT (B)
4	416128901	BUTTONHOLE FOOT FOR 3223/3229
5	416284501	BUTTON SEWING FOOT (H)
6	416127701	SEAM RIPPER / BRUSH
7	416497401	EDGE / QUILTING GUIDE
8		PACK OF NEEDLES
9	416157601	SPOOL HOLDER (LARGE)
10	416500801	SPOOL HOLDER (SMALL)
11	68000175	BOBBIN
12	68000177	L-SCREWDRIVER
13	416127901	DARNING PLATE
14	416796701	SOFT COVER