

PFAFF®

1450OL

Ersatzteile-Liste
List of spare parts
Liste des pièces détachées
Catalogo pezzi staccati
Lista de piezas de repuesto



Please note that on disposal, this product must be safely recycled in accordance with relevant National legislation relating to electrical/electronic products. If in doubt please contact your retailer for guidance.



Bitte beachten Sie, dass hinsichtlich der Entsorgung dieses Produkts, vorschriftsmäßig entsprechend der gültigen nationalen Gesetzgebung für elektrische/elektronische Produkte, recycelt werden muss. Bei Zweifel setzen Sie sich bitte mit Ihrem Fachhändler in Verbindung.



Veuillez noter qu'en cas de destruction, ce produit doit bénéficier d'un recyclage sécurisé, conforme à la législation nationale applicable aux produits électriques/électroniques. En cas de doute, veuillez contacter votre distributeur agréé.

- All casted parts within our products are marked with name of material if allowed by size.
- All molded plastic parts within our products are marked with name of material if allowed by size.

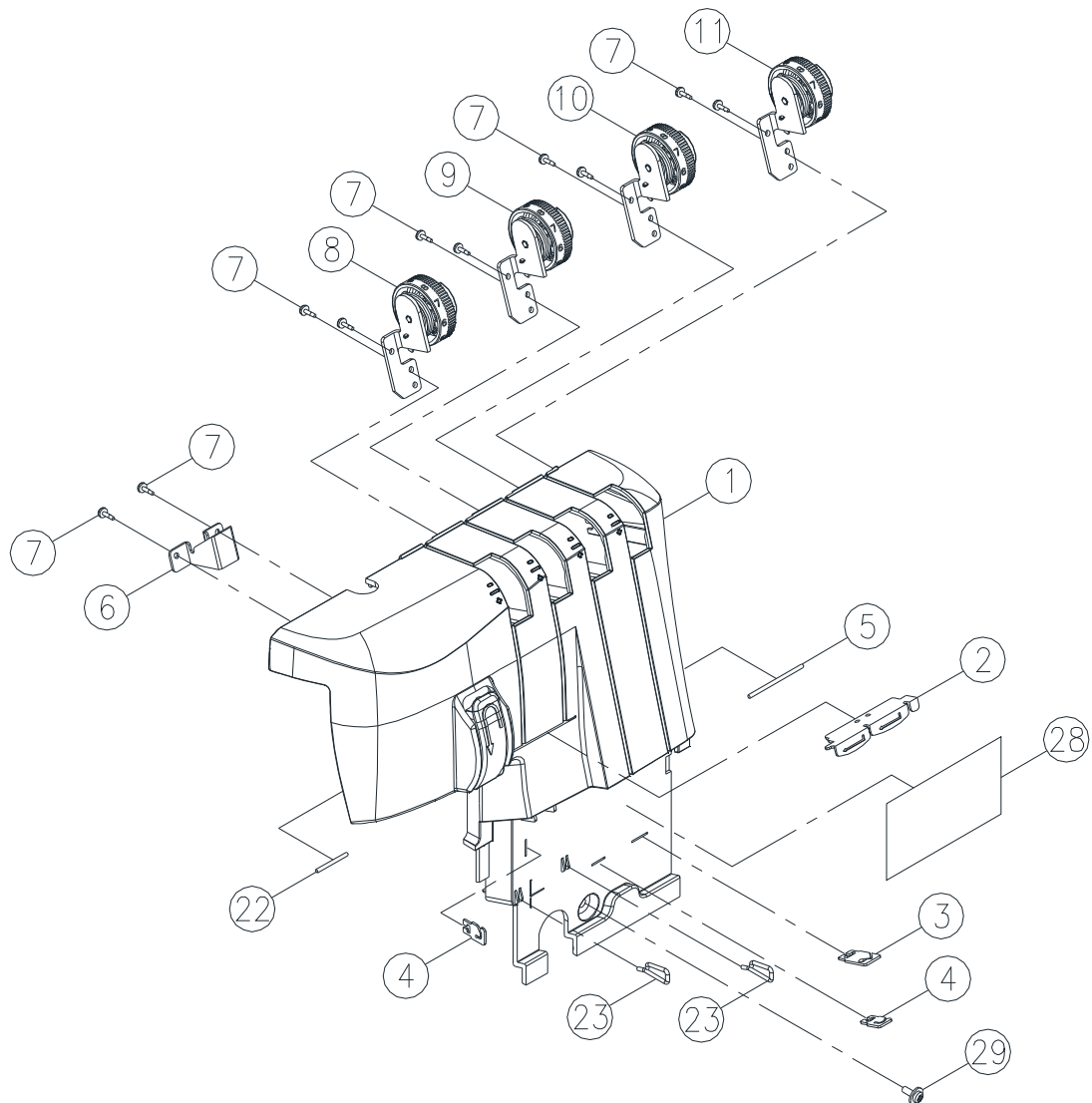
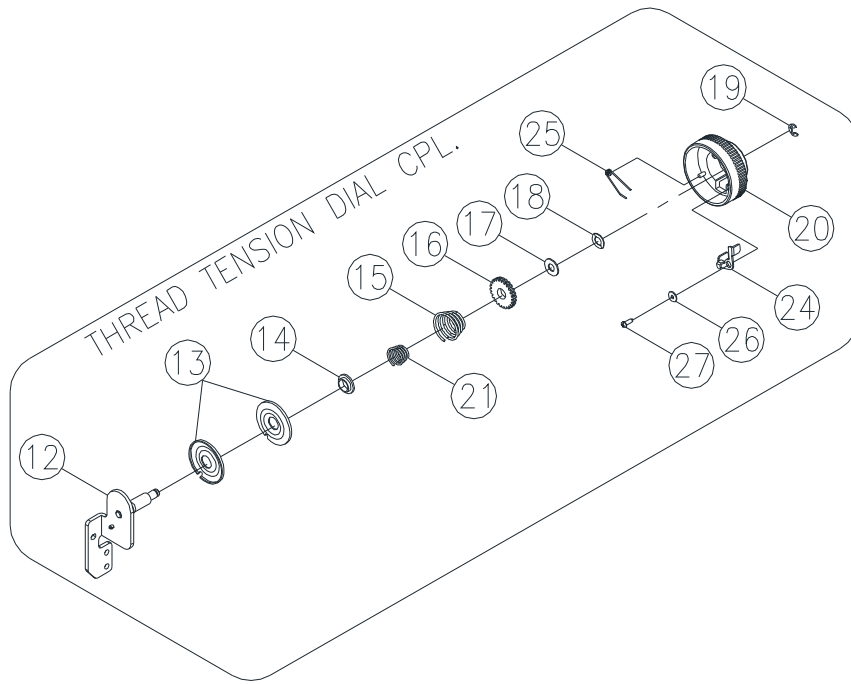
Nicht nummerierte Teile im Katalog werden nicht geliefert.

The parts mentioned without number in the parts list are not available.

Les pièces qui ne sont pas numérotées dans la liste de pièces détachées ne peuvent être livrées.

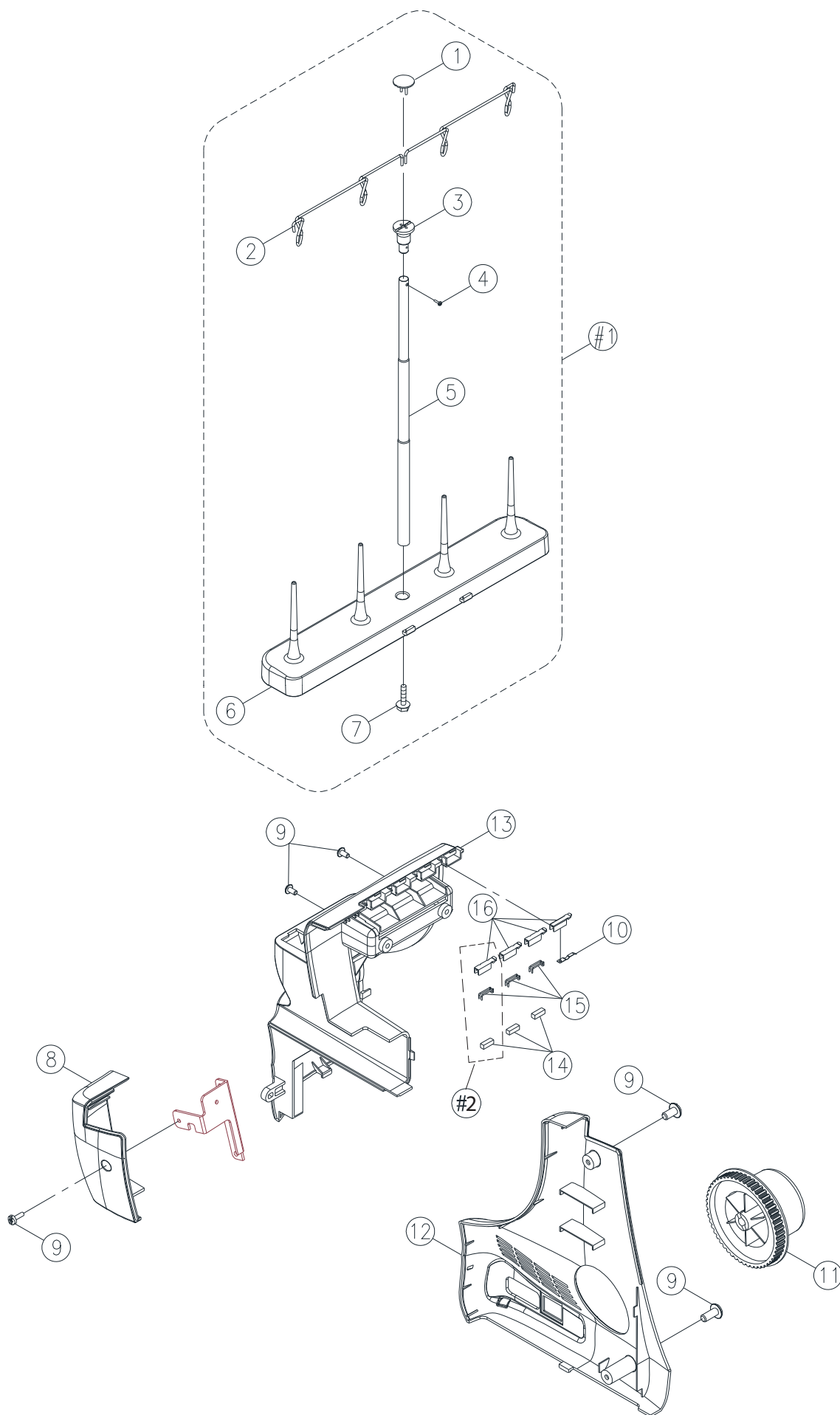
Pezzi non catalogati non sono disponibili.

Las piezas de repuesto sin número en esta lista no se entregarán.



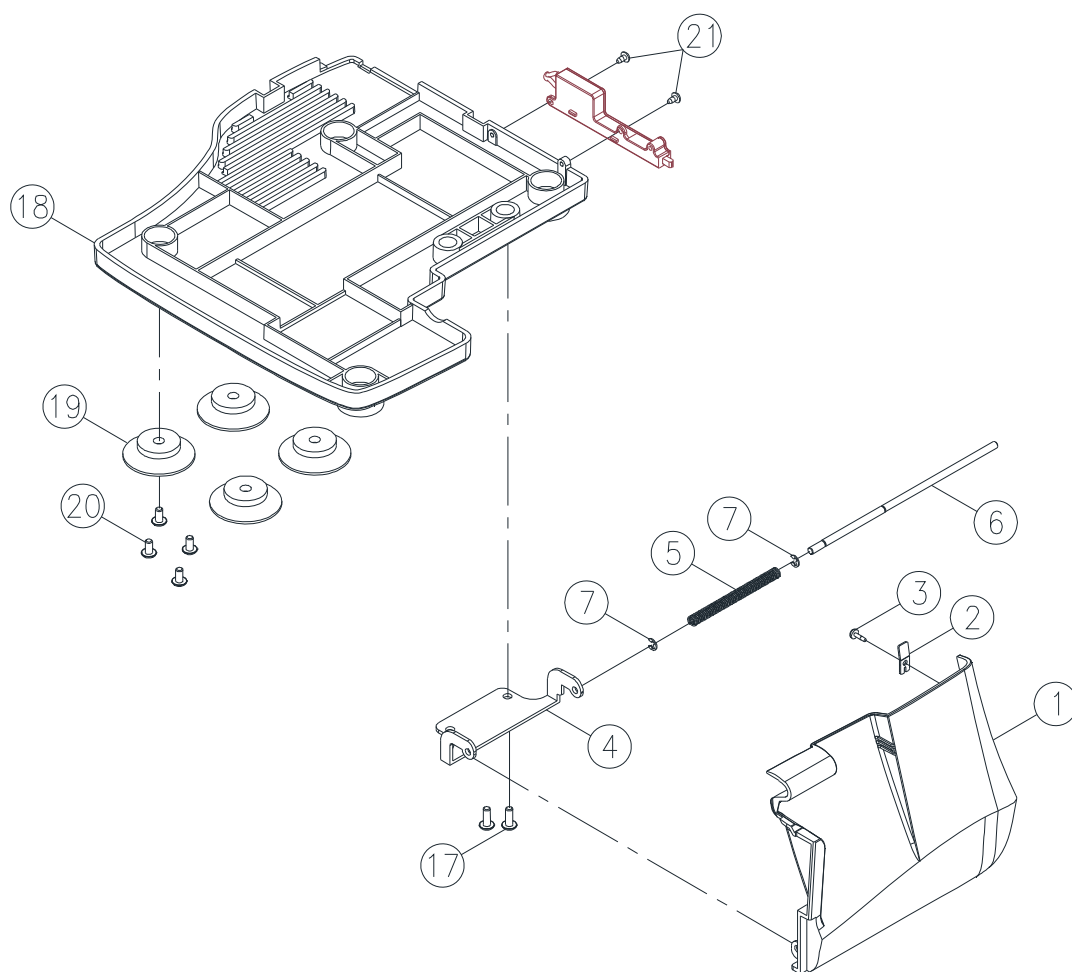
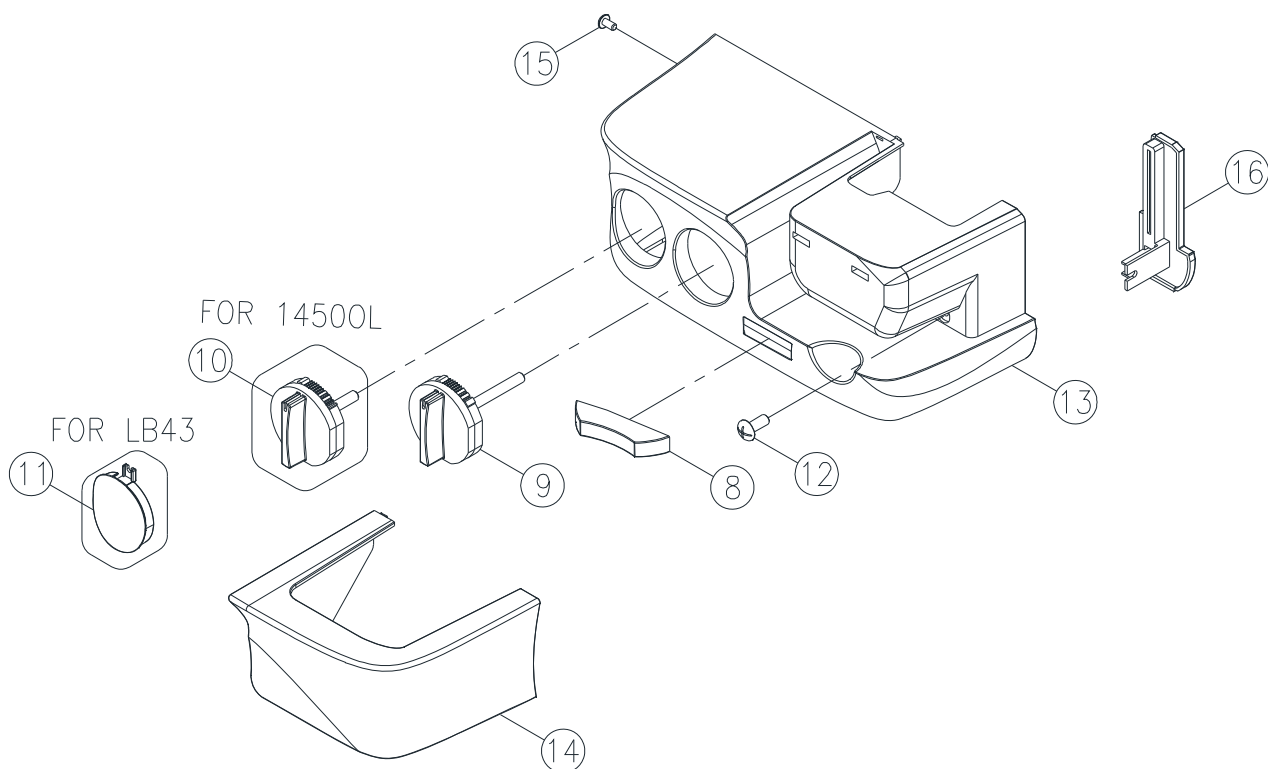
No.	Part No.	Description
1	68019420	FRONT COVER
2	68018734	GUIDE PLATE
3	68018745	FEEDING THREAD GUIDE PLATE
4	68018746	FEEDING THREAD GUIDE PLATE A
5	68018747	STAINLESS STEEL SHAFT
6	68018748	THREAD TAKE-UP GUIDE
7	416681501	SET SCREW (M3x8.5)
8	68019421	THREAD TENSION DIAL CPL. 1 (FOR LEFT NEEDLE)
9	68019423	THREAD TENSION DIAL CPL. 2 (FOR RIGHT NEEDLE)
10	68019424	THREAD TENSION DIAL CPL. 3 (FOR OVERLOOPER)
11	68019425	THREAD TENSION DIAL CPL. 4 (FOR UNDERLOOPER)
12	68018749	SUPPORT PLATE CPL.
13	68018750	THREAD TENSION DISC
14	68018751	SPRING PLATE
15	68018752	THREAD TENSION SPRING (FOR LEFT NEEDLE /UNDERLOOPER)
15	68018753	THREAD TENSION SPRING B (FOR RIGHT NEEDLE)
15	68018754	THREAD TENSION SPRING A (FOR OVERLOOPER)
16	68018755	THREAD TENSION GEAR
17	68004315	WASHER (4.5x10x0.6)
18	416126001	WASHER (5.4x9x1.5x0.3)
19	416116001	E-RING (E-3)
20	INCLUDED IN NR: 8	THREAD TENSION DIAL 1 (FOR LEFT NEEDLE)
20	INCLUDED IN NR: 9	THREAD TENSION DIAL 2 (FOR RIGHT NEEDLE)
20	INCLUDED IN NR: 10	THREAD TENSION DIAL 3 (FOR OVERLOOPER)
20	INCLUDED IN NR: 11	THREAD TENSION DIAL 4 (FOR UNDERLOOPER)
21	68018763	SPRING FOR UNDERLOOPER
22	270 003045014	PIN
23	68018756	THREAD GUIDE
24	68018757	THREAD TENSION RELEASER
25	68018758	THREAD TENSION CLUTCH SPRING
26	68019298	WASHER (2.2x6x0.5)
27	68019300	SET SCREW (M2xP0.63x6)
28	68019302	STICKER
29	68019289	SET SCREW (M4xP0.7x8)

PFAFF 1450OL
B



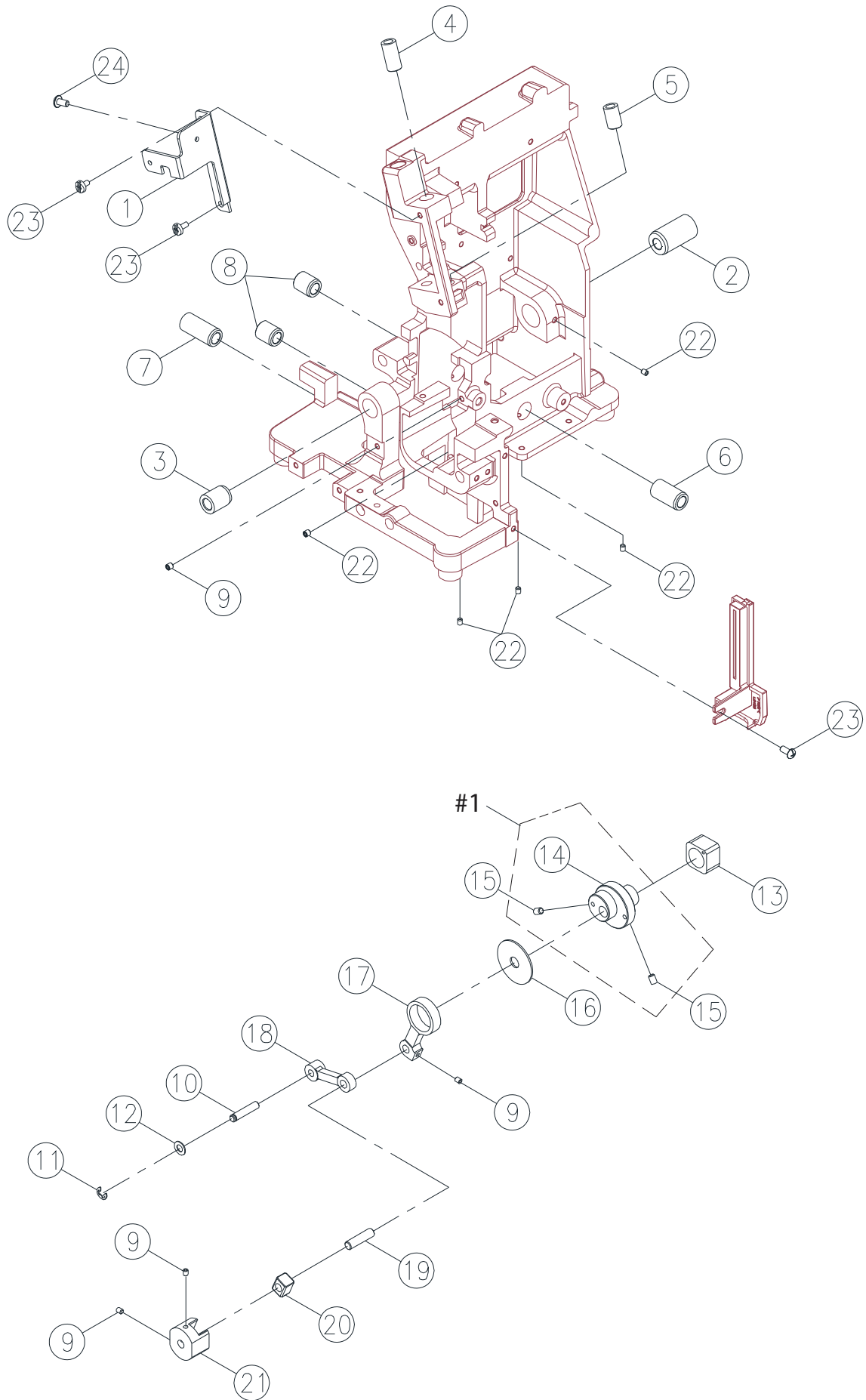
No.	Part No.	Description
#1	68019426	HOLDER COMPLETE
#2	68026020	THREAD RECTIFIER COMPLETE
1	INCLUDED IN #1	CAP
2	68018786	THREAD GUIDE LEVER
3	INCLUDED IN #1	THREAD GUIDE LEVER BASE
4	68019300	SET SCREW (M2xP0.63x6)
5	68004410	SPOOL STAND SHAFT
6	INCLUDED IN #1	SPOOL STAND BASE
7	68019310	MOTOR SET SCREW (M4x0.7xL11)
8	68020517	FACE COVER
9	68019311	SET SCREW (M4x8 A)
10	68018794	THREAD TENSION SPRING
11	68004193	HAND WHEEL
12	68019291	MOTER DRIVE BELT COVER
13	68019294	BACK COVER
14	68018793	THREAD RECTIFIER CUSHION
15	68018791	THREAD RECTIFIER WIRE
16	68018788	THREAD RECTIFIER PLATE

C



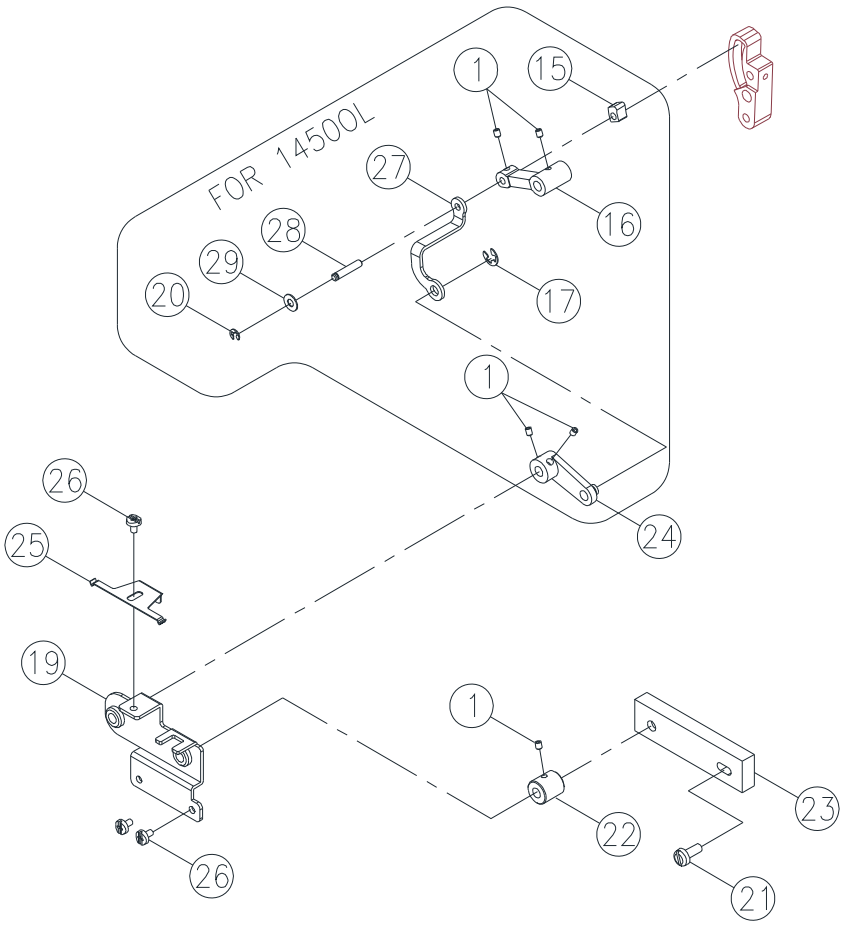
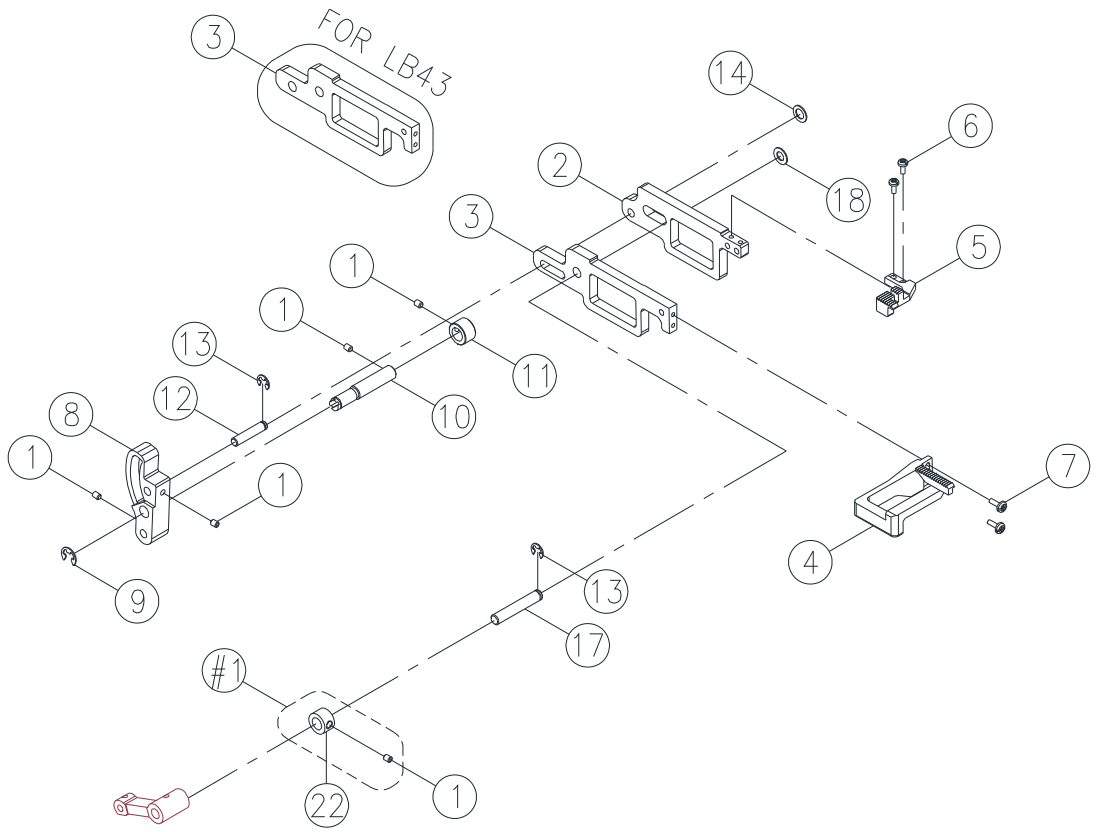
No.	Part No.	Description
1	68019427	LOOPER COVER
2	68018802	LOOPER COVER HOOK
3	416184801	SET SCREW (M3x8B)
4	68018604	LOOPER COVER HINGE PLATE
5	68018804	LOOPER COVER SPRING
6	68018805	LOOPER COVER HINGE SHAFT
7	416116001	E-RING (E-3)
8	68019428	UPPER BLADE CANCEL BUTTON
9	68004190	STITCH LENGTH DIAL CPL.
10	68004186	DIFFERENTIAL DIAL CPL.
11		
12	68019311	SET SCREW (M4x8 A)
13	68019429	SEWING TABLE BODY
14	68004197	SUB SEWING TABLE COVER
15	68019314	SET SCREW (M4x15 A)
16	68019430	SEWING TABLE SIDE COVER
17	68019322	SET SCREW (M4xP0.7x25)
18	68018806	BASE COVER
19	68018603	CUSHION
20	68019323	SET SCREW (M4xP0.7x12)
21	416681501	SET SCREW (M3x8.5)

D

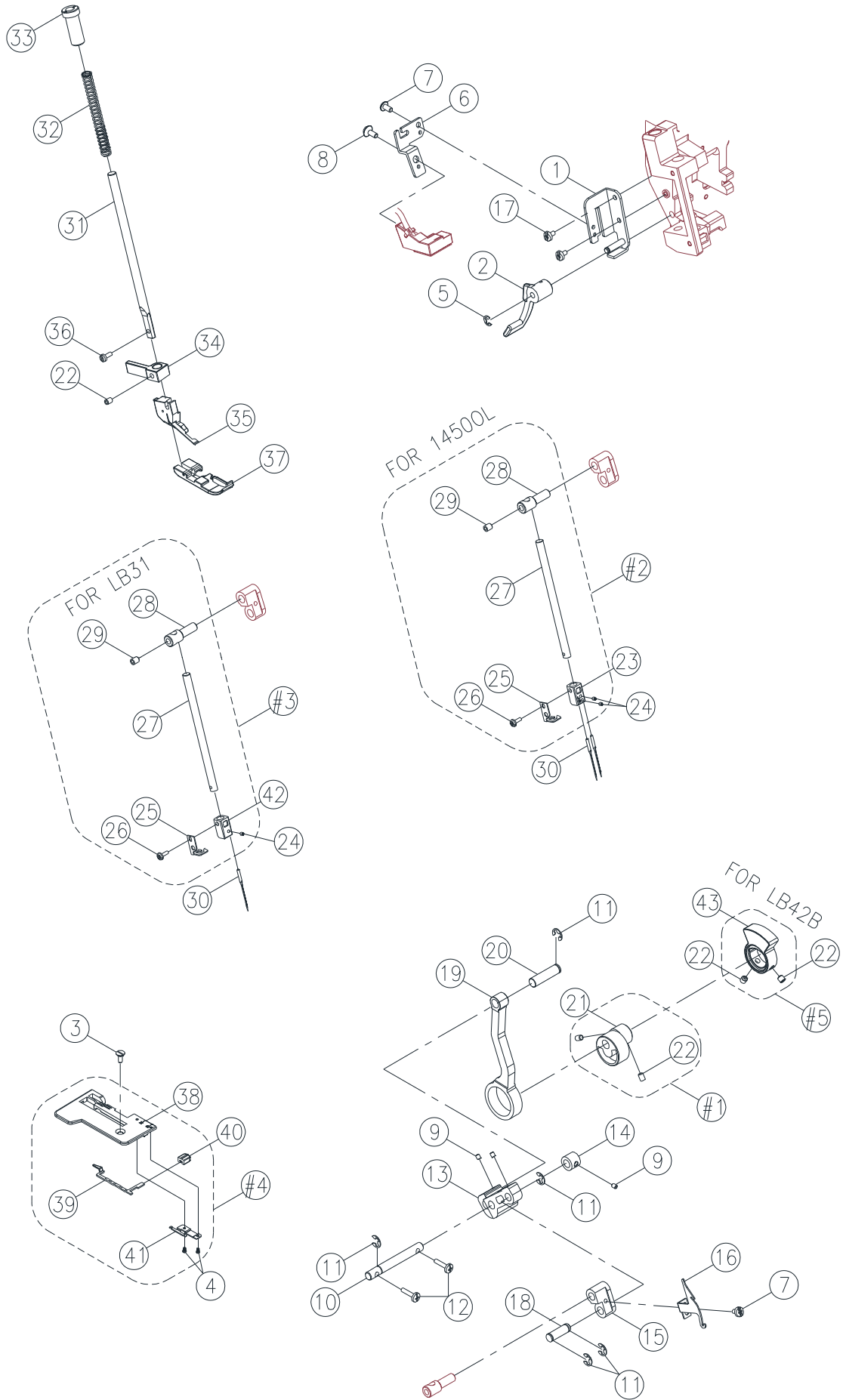


No.	Part No.	Description
#1	68039115	FEED ECCENTRIC WHEEL CPL.
1	68018614	FACE COVER SET PLATE
2	68018808	LOWER SHAFT BUSHING A
3	68018809	LOWER SHAFT BUSHING B
4	68018810	NEEDLE BAR UPPER BUSHING
5	68018811	NEEDLE BAR LOWER BUSHING
6	68018812	OVERLOOPER BUSHING A
7	68018813	UNDERLOOPER BUSHING
8	68018814	OVERLOOPER BUSHING B
9	416122401	SET SCREW (M4xP0.7x4)
10	68018807	FEED SHAFT
11	416116201	E-RING (ETW-4)
12	68019324	WASHER (5.3x10x0.6)
13	68018818	FEED BLOCK
14	SEE #1	FEED ECCENTRIC WHEEL
15	SEE #1	SET SCREW (M5xP0.8x5)
16	68018821	SET PLATE
17	68018822	FEED ECCENTRIC WHEEL ROD
18	68018820	FEED ROD
19	68018817	FEED BLOCK SHAFT
20	68018816	FEED BLOCK
21	68018815	FEED BLOCK REGULATING BASE
22	416122101	SET SCREW (M4x6)
23	68019311	SET SCREW (M4x8 A)
24	416681501	SET SCREW (M3x8.5)

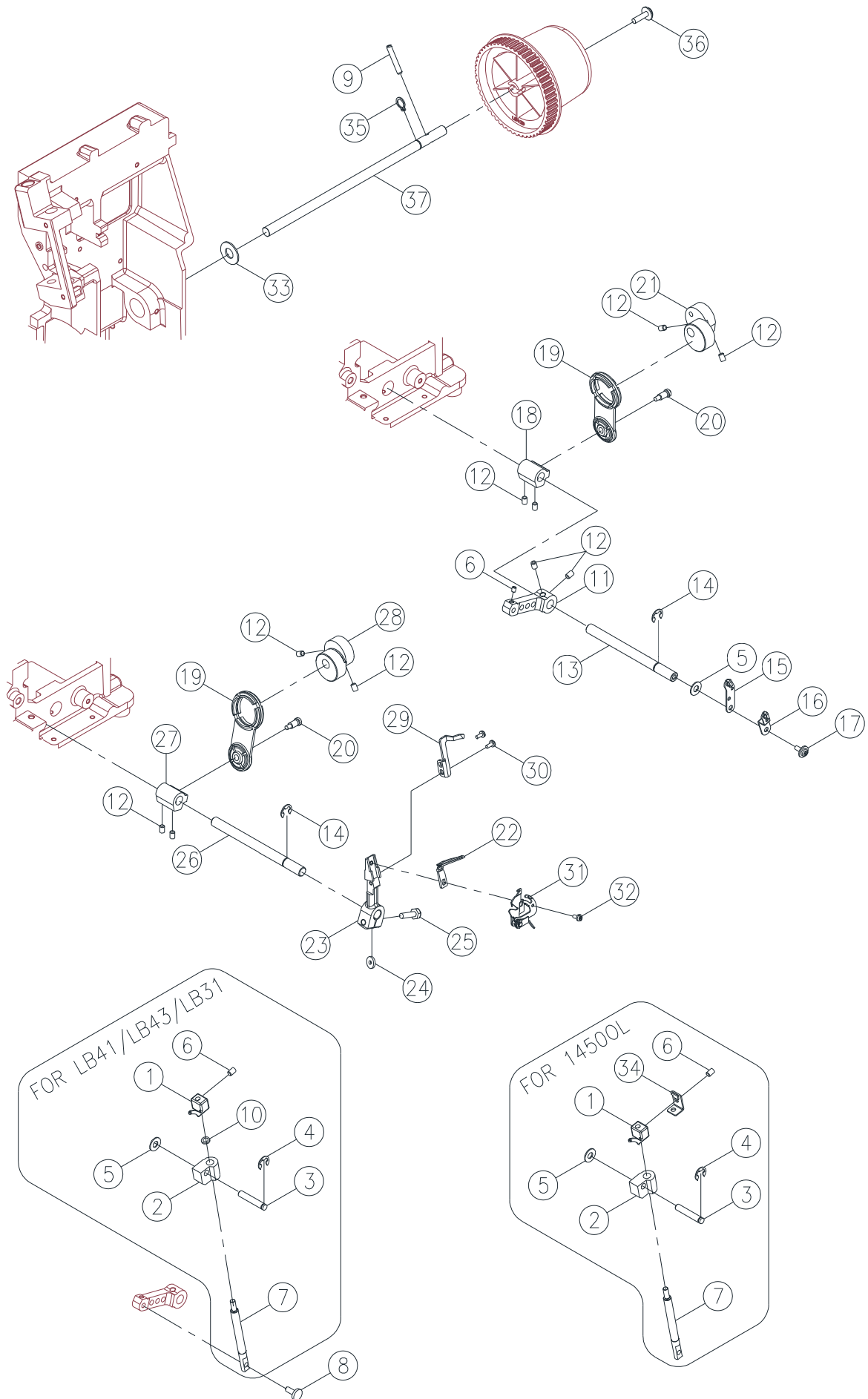
E



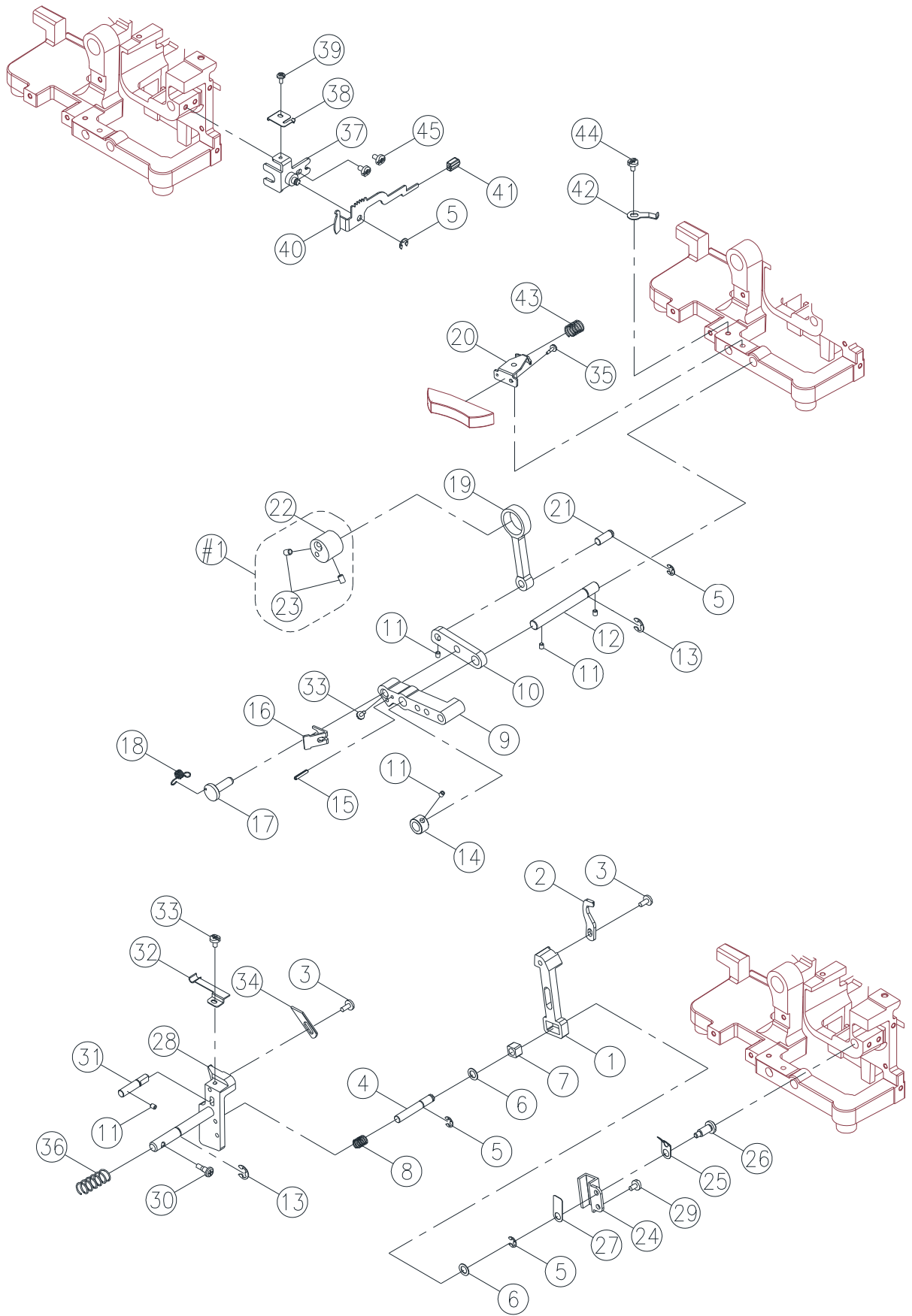
No.	Part No.	Description
#1	68018838	STOP COLLAR CPL.
1	416122401	SET SCREW (M4xP0.7x4)
2	68018825	MAIN FEED FRAME
3	68018826	DIFFERENTIAL FEED FRAME
3		
4	68004203	DIFFERENTIAL FEED DOG
5	68004208	MAIN FEED DOG
6	68019325	SET SCREW (M3x5 B)
7	68019326	SET SCREW (M3xP0.5x8)
8	68018829	FEED REGULATING BASE
9	416183801	E-RING (ETW-5)
10	68018831	FEED REGULATING SUPPORTER SHAFT
11	68018823	FEED REGULATING SHAFT COLLAR
12	68018807	FEED SHAFT
13	416116201	E-RING (ETW-4)
14	68019324	WASHER (5.3x10x0.6)
15	68018834	DIFFERENTIAL BLOCK
16	68018835	DIFFERENTIAL ADJUSTING ROD
17	68018836	DIFFERENTIAL SHAFT
18	68019327	WASHER (6.2x12x1.6)
19	68018837	STITCH LENGTH DIAL BASE PLATE CPL.
20	416116001	E-RING (ETW-3)
21	68019289	SET SCREW (M4xP0.7x8)
22	68018833	STITCH LENGTH DIAL SHAFT COLLAR
23	68018832	FEED SET PLATE
24	68018830	DIFFERENTIAL REGULATING ROD CPL.
25	68018828	STITCH LENGTH DIAL SET PLATE
26	416121501	SET SCREW (M4x8 A)
27	68018827	DIFFERENTIAL REGULATING ROD
28	68018824	DIFFERENTIAL BLOCK SHAFT
29	68004315	WASHER (4.5x10x0.6)



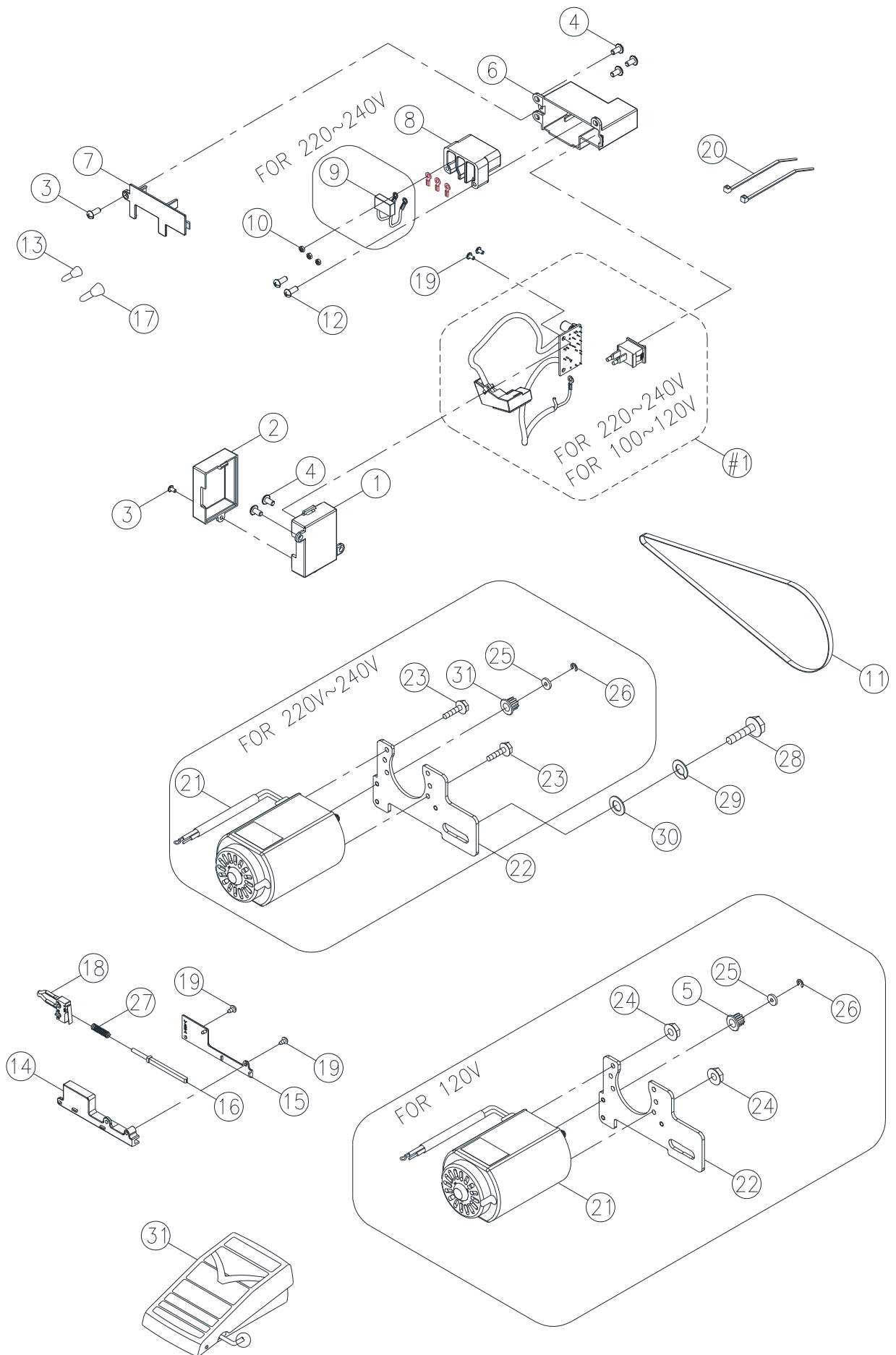
No.	Part No.	Description
#1	68018859	NEEDLE BAR DRIVING CAM CPL.
#2	68004419	NEEDLE CLAMP CPL.
#3		
#4	68004423	NEEDLE PLATE CPL.
#5		
1	68018840	PRESSER BAR GUIDE PLATE CPL.
2	68004220	PRESSER FOOT LIFTER
3	68004307	SET SCREW
4	68004293	SET SCREW (M2xP0.4x2.5)
5	416116201	E-RING (ETW-4)
6	68018841	LED BRACKET
7	68019311	SET SCREW (M4x8 A)
8	416718201	SET SCREW (M3x5)
9	416122401	SET SCREW (M4xP0.7x4)
10	68018842	NEEDLE BAR SHAFT
11	416183801	E-RING (ETW-5)
12	68019314	SET SCREW (M4xP0.7x15)
13	68018843	NEEDLE BAR DRIVING CRANK
14	68018844	NEEDLE BAR SHAFT COLLAR
15	68018845	NEEDLE BAR CONNECTING CRANK
16	68018847	THREAD TAKE-UP PLATE
17	416121501	SET SCREW (M4x8 A)
18	68018849	NEEDLE BAR CRANK SHAFT B
19	68018850	NEEDLE BAR DRIVING ROD
20	68018851	NEEDLE BAR CRANK SHAFT A
21	68018852	NEEDLE BAR DRIVING CAM
22	270 004250203	SET SCREW (M5xP0.8x5)
23	68004238	NEEDLE CLAMP
24	68004245	NEEDLE CLAMP SCREW
25	68004251	NEEDLE BAR THREAD GUIDE
26	68019326	SET SCREW (M3xP0.5x8)
27	68018854	NEEDLE BAR
28	68018855	NEEDLE BAR CONNECTING STUD
29	68019328	SET SCREW (M6xP1.0x6)
30		NEEDLE
30		
31	68018857	PRESSER BAR
32	68018858	PRESSER BAR SPRING
33	68018856	PRESSER BAR SPRING
33		
34	68018853	PRESSER BAR GUIDE BRACKET
35	68004253	PRESSER HOLDER CPL.
36	68018846	PRESSER FOOT SCREW
37	68004191	PRESSER FOOT CPL.
38	68004263	NEEDLE PLATE CPL.
39	68004268	STITCH TONGUE
40	68004271	STITCH LEVER KNOB
41	68004272	STITCH PRESSER PLATE
42		
43		



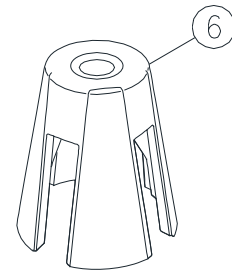
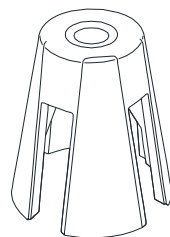
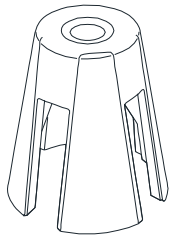
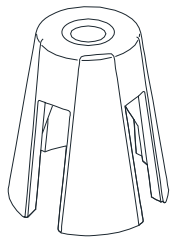
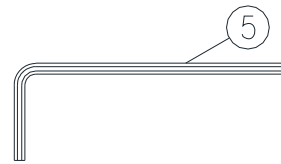
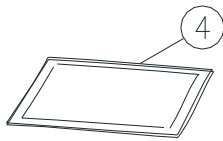
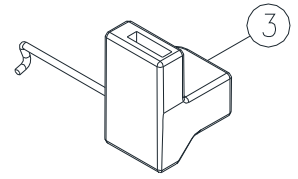
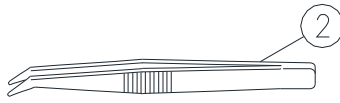
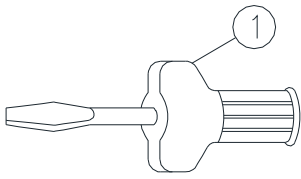
No.	Part No.	Description
1	68004310	OVERLOOPER
2	68018861	OVERLOOPER SHAFT GUIDE
3	68018862	OVERLOOPER SHAFT GUIDE SHAFT
4	416116201	E-RING (ETW-4)
5	68019330	WASHER (5.5x12x0.8)
6	416122401	SET SCREW (M4xP0.7x4)
7	68018865	OVERLOOPER SHAFT
8	68018866	OVERLOOPER LOWER SHAFT
9	68019332	PIN
10		
11	68018868	OVERLOOPER SHAFT LEVER
12	270 004250203	SET SCREW (M5xP0.8x5)
13	68018870	OVERLOOPER LEVER SHAFT
14	68019333	E-RING (ETW-6)
15	68019334	OVERLOOPER THREAD GUIDE
16	68019335	UNDERLOOPER THREAD GUIDE
17	68019289	SET SCREW (M4xP0.7x8)
18	68018875	OVERLOOPER DRIVING CRANK
19	68018876	L BALL ROD ASSEMBLY
20	68018877	L ROD SCREW
21	68018878	OVERLOOPER ROD ECCENTRIC WHEEL
22	68004322	UNDERLOOPER
23	68004323	UNDERLOOPER SHAFT LEVER
24	68019336	WASHER (8.5x5.2x0.8)
25	68018874	HEX BOLTS
26	68018871	UNDERLOOPER SHAFT
27	68018869	UNDERLOOPER DRIVING CRANK
28	68018867	UNDERLOOPER ROD ECCENTRIC WHEEL
29	68004329	UNDERLOOPER NEEDLE GUARD
30	416182701	SET SCREW (M3xP0.5x6)
31	68004426	UNDERLOOPER THREAD GUIDE CPL.
32	270 004230056	SET SCREW (M3xP0.5x5)
33	68019337	WASHER (14x8.1x0.25)
34	68004331	LOOPER HOUSING
35	68019338	E-RING (GTW-8)
36	68019339	SET SCREW (M5xP0.8x15)
37	68018863	LOWER SHAFT



No.	Part No.	Description
#1	68018935	UPPER BLADE ECCENTRIC WHEEL CPL.
1	68018892	UPPER BLADE HOLDER
2	68004332	UPPER BLADE
3	68019311	SET SCREW (M4x8 A)
4	68018894	UPPER BLADE ROD SHAFT
5	416116201	E-RING (ETW-4)
6	68019327	WASHER (6.2x12x1.6)
7	68018896	UPPER BLADE BLOCK
8	68018897	UPPER BLADE HOLDER SPRING
9	68018898	UPPER BLADE FRAME
10	68018899	UPPER BLADE ROD B
11	416122401	SET SCREW (M4xP0.7x4)
12	68018901	UPPER BLADE CRANK SHAFT
13	68019333	E-RING (ETW-6)
14	68018823	FEED REGULATING SHAFT COLLAR
15	68019340	PIN
16	68018906	UPPER BLADE CANCEL PLATE
17	68018908	UPPER BLADE CONNECT SHAFT
18	68018910	RELEASE PLATE SPRING
19	68018912	UPPER BLADE ROD A
20	68018914	UPPER BLADE CANCEL PLATE CPL.
21	68018916	UPPER BLADE LINK SHAFT
22	68018919	UPPER BLADE ECCENTRIC WHEEL
23	270 004250203	SET SCREW (M5xP0.8x5)
24	68018923	UPPER BLADE HOLDER GUIDE
25	68018924	UPPER BLADE PLATE SPRING B
26	68018926	SET SCREW
27	68018928	UPPER BLADE PLATE SPRING A
28	68018930	LOWER BLADE HOLDER CPL.
29	68019341	SET SCREW (M4xP0.7x6)
30	68018931	SET SCREW
31	68018933	LOWER BLADE GUIDE SHAFT
32	68004333	LOWER BLADE NEEDLE GUARD
33	270 004230056	SET SCREW (M3x5 B)
34	68004335	LOWER BLADE
35	416681501	SET SCREW (M3x8.5)
36	68018921	LOWER BLADE SPRING
37	68018904	LOWER BLADE CONTROL SUPPORTER CPL.
38	68018902	LOWER BLADE CONTROL SET PLATE
39	416182701	SET SCREW (M3xP0.5x6 A)
40	68018900	LOWER BLADE CONTROL LEVER
41	68004271	STITCH LEVER KNOB
42	68018895	UPPER BLADE LEVER PLATE
43	68018893	RELEASE SPRING
44	416121501	SET SCREW (M4x8 A)
45	68015283	SET SCREW (M4x6 A)



No.	Part No.	Description
#1	68004336	LED HOLDER CPL. FOR 220~240V
#1	68004337	LED HOLDER CPL. FOR 100~120V
1	68018879	TRANSFORMER BOX
2	68018880	TRANSFORMER COVER
3	416686601	SET SCREW (M3x6 B)
4	68019311	SET SCREW (M4x8 A)
5	68004340	MOTOR GEAR
6	68018882	RECEPTACLE HOLDER
7	68018883	RECEPTACLE HOLDER COVER
8	68018884	SOCKET
9	68013276	CONDENSER FOR 220~240V
10	68013279	NUT
11	68004194	MOTOR BELT
12	68019342	SET SCREW (M3x18)
13	416133001	ISOLATION RECEPTACLE
14	68018886	MICRO SWITCH HOLDER
15	68018887	MICRO SWITCH COVER
16	68018888	MICRO SWITCH LEVER
17	68018889	ISOLATION RECEPTACLE
18	68004195	MICRO SWITCH CPL.
19	416681501	SET SCREW (M3x8.5)
20	416113901	CORD CLIP
21	68004338	MOTOR FOR 220~240V
21	68004339	MOTOR FOR 120V
23	68019310	MOTOR SET SCREW FOR 220~240V
24	416528501	NUT (M4 T=5.5) FOR 100~120V
25	68019343	WASHER (6.4X17X0.8)
26	416183801	E-RING (E-5)
27	68018881	SAFETY SWITCH SPRING
28	68019344	SET SCREW (M8xP1.25x16)
29	68019345	WASHER
30	68019346	WASHER (8.5x16x1.6)
31	68004341	FOOT CONTROLLER FOR EU.
31	416468101	FOOT CONTROLLER FOR U.S.A
31	68002155	FOOT CONTROLLER FOR GB
31	68002156	FOOT CONTROLLER FOR AUS



No.	Part No.	Description
1	412381501	SCREWDRIVER (L)
2	416373101	TWEEZERS
3	68004411	2-THREAD CONVERTER
4	620106896	NEEDLE PACK
5	411668901	ALLEN WRENCH
6	68019347	SPOOL CUSHION