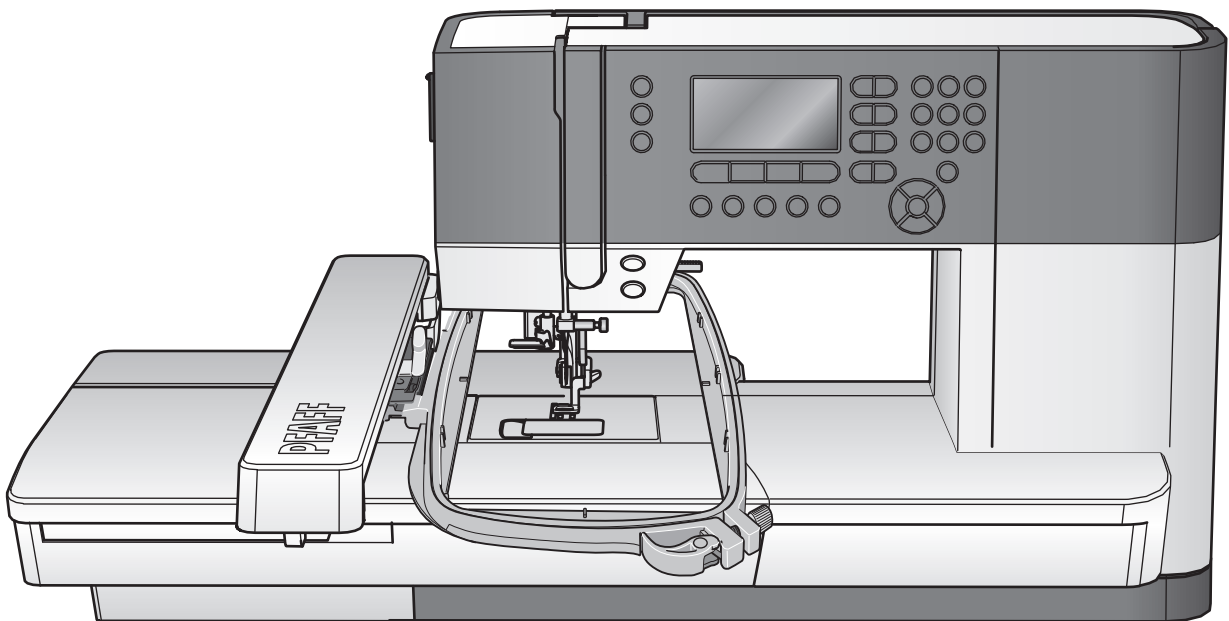


PFAFF®

Creative ambition 640

Ersatzteile-Listt
List of spare parts
Liste des pièces détachées
Catalogo pezzi staccati
Lista de piezas de repuesto





Please note that on disposal, this product must be safely recycled in accordance with relevant National legislation relating to electrical/electronic products. If in doubt please contact your retailer for guidance.



Bitte beachten Sie, dass hinsichtlich der Entsorgung dieses Produkts, vorschriftsmäßig entsprechend der gültigen nationalen Gesetzgebung für elektrische/elektronische Produkte, recycelt werden muss. Bei Zweifel setzen Sie sich bitte mit Ihrem Fachhändler in Verbindung.



Veillez noter qu'en cas de destruction, ce produit doit bénéficier d'un recyclage sécurisé, conforme à la législation nationale applicable aux produits électriques/électroniques. En cas de doute, veuillez contacter votre distributeur agréé.

- All casted parts within our products are marked with name of material if allowed by size.
- All molded plastic parts within our products are marked with name of material if allowed by size.

Nicht nummerierte Teile im Katalog werden nicht geliefert.

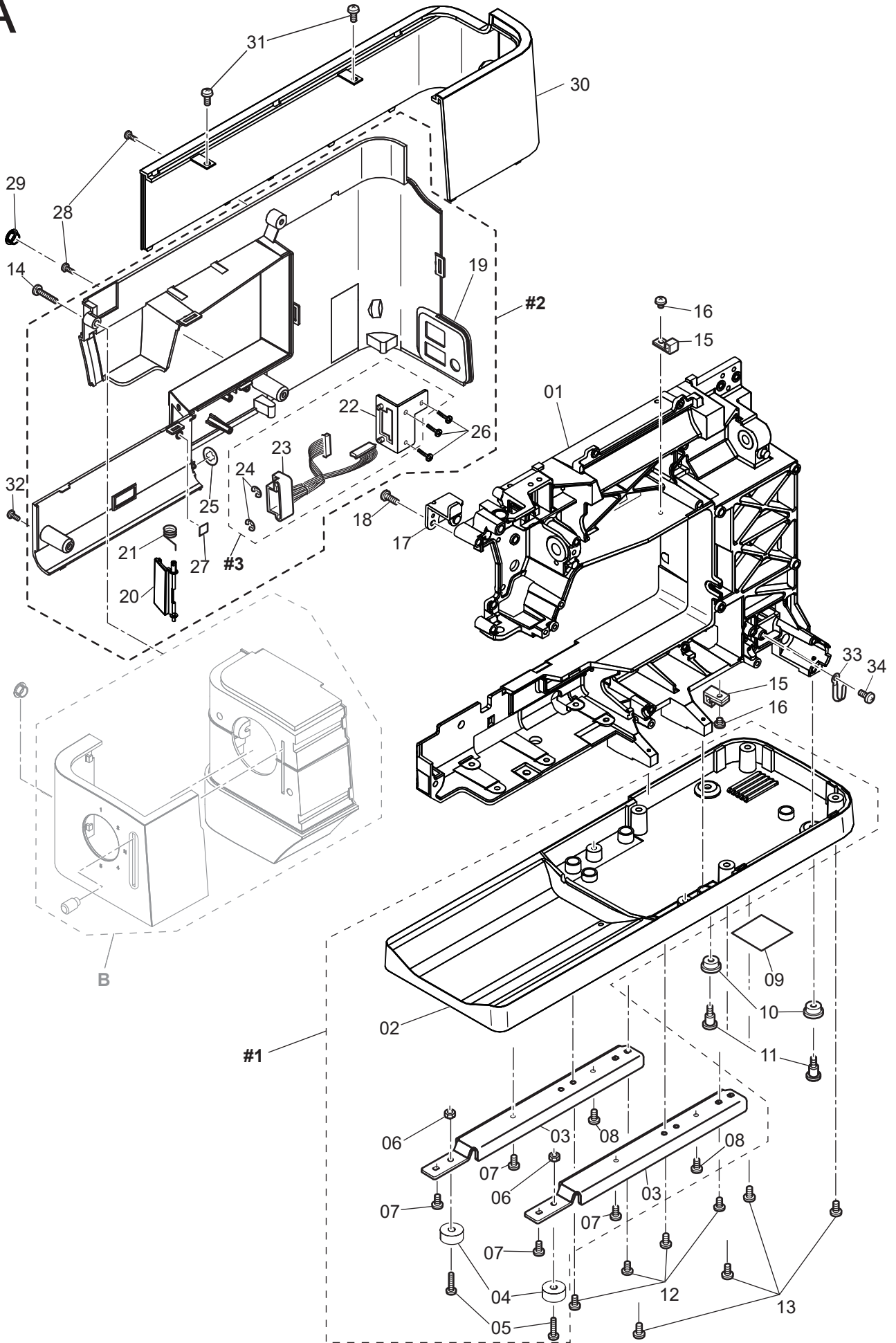
The parts mentioned without number in the parts list are not available.

Les pièces qui ne sont pas numérotées dans la liste de pièces détachées ne peuvent être livrées.

Pezzi non catalogati non sono disponibili.

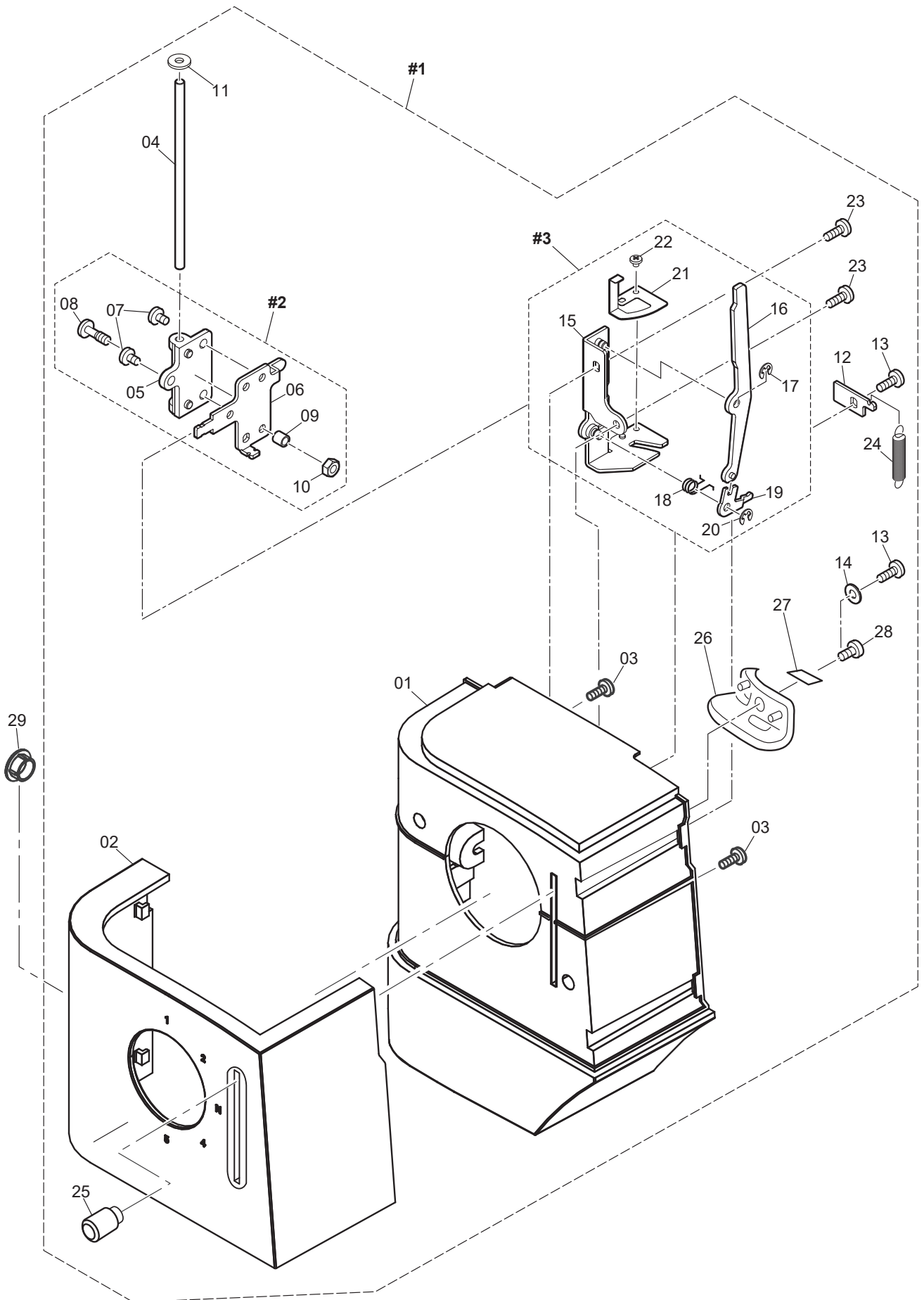
Las piezas de repuesto sin número en esta lista no se entregarán.

A



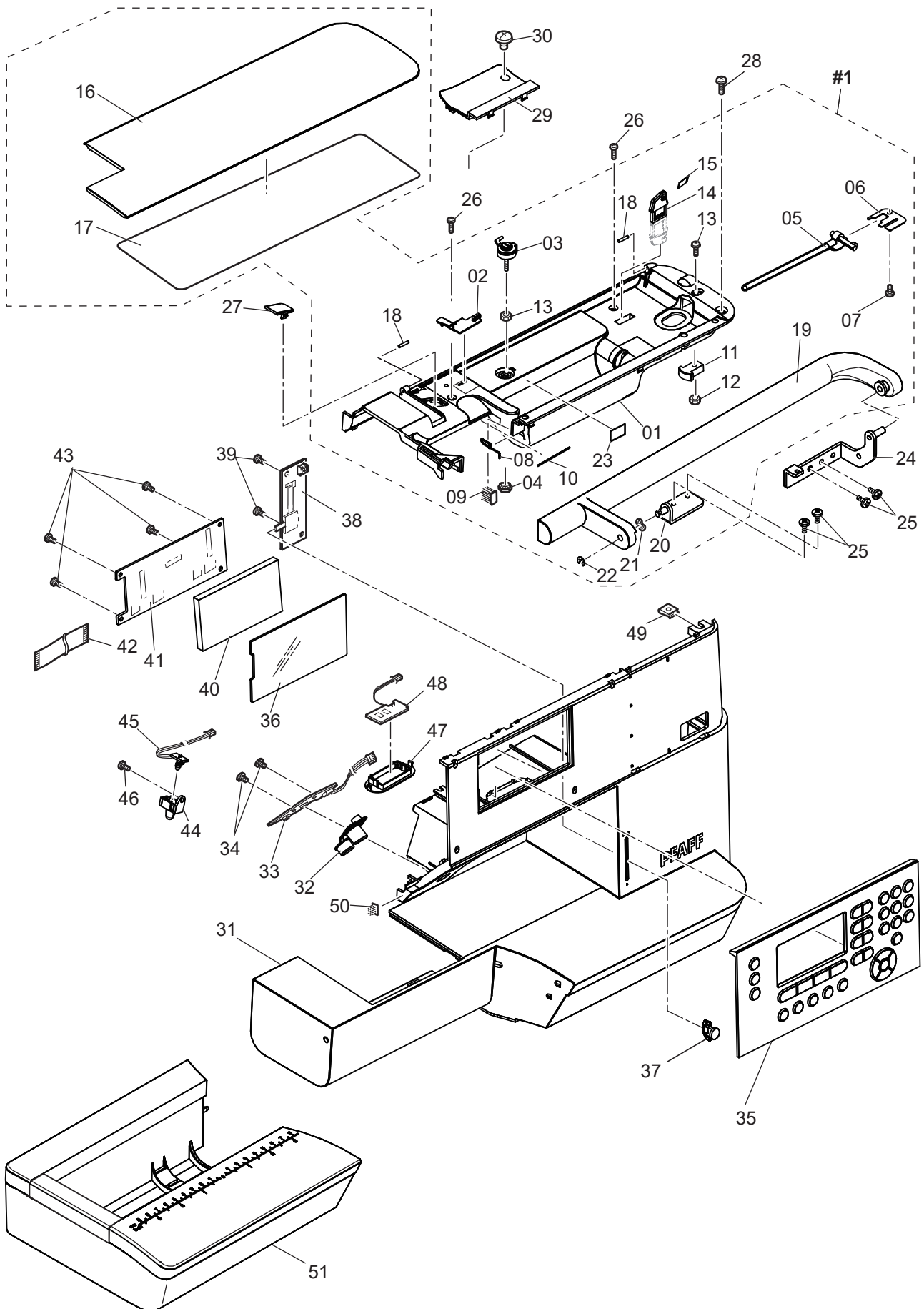
<u>No.</u>	<u>Part No.</u>	<u>Description</u>
#1	68022328	Base Assy.
#2	68001232	Rear Cover Assy.
#3	68001240	Embroidery Unit Connector
1	68001166	Machine Frame
2	68022329	Base Cover
3	68001179	Base Supporting Plate
4	68000157	Rubber Foot (B)
5	68001184	Rubber Foot Adjusting Screw
6	68001187	Adjustable Lock Nut
7	68001188	Set Screw PT M4*8
8	68001191	Set Screw M4*8
9	68022331	Electrical Rating Label
10	68001194	Rubber Foot
11	68001196	Set Screw M4*15
12	68001191	Set Screw M4*8
13	68001198	Set Screw PT M4*10
14	68001220	Set Screw M4*20
15	68001228	Cord Holder
16	68001701	Set Screw M4*4
17	68001229	Face Plate Holding Plate
18	68001230	Set Screw M4*12
19	68001235	Rear Cover
20	68001236	Embroidery Unit Connect Lid
21	68001239	Connect Lid Spring Bracket Unit
22	68001241	Embroidery Unit Connect Bracket Assy.
23	68001245	Embroidery Unit Connect Assy.
24	68001286	Snap Ring
25	416787101	Push Nut
26	68001288	Set Screw PT M3*8
27	68024856	Rubber Seat
28	270 HP90810	Set Screw M4*8
29	68001303	Screw Cap
30	68022332	Front And Rear Cover Panel
31	68001466	Set Screw M4*6
32	68001310	Set Screw PT M4*12
33	68001780	Coating Clip
34	68001191	Set Screw M4*8

B

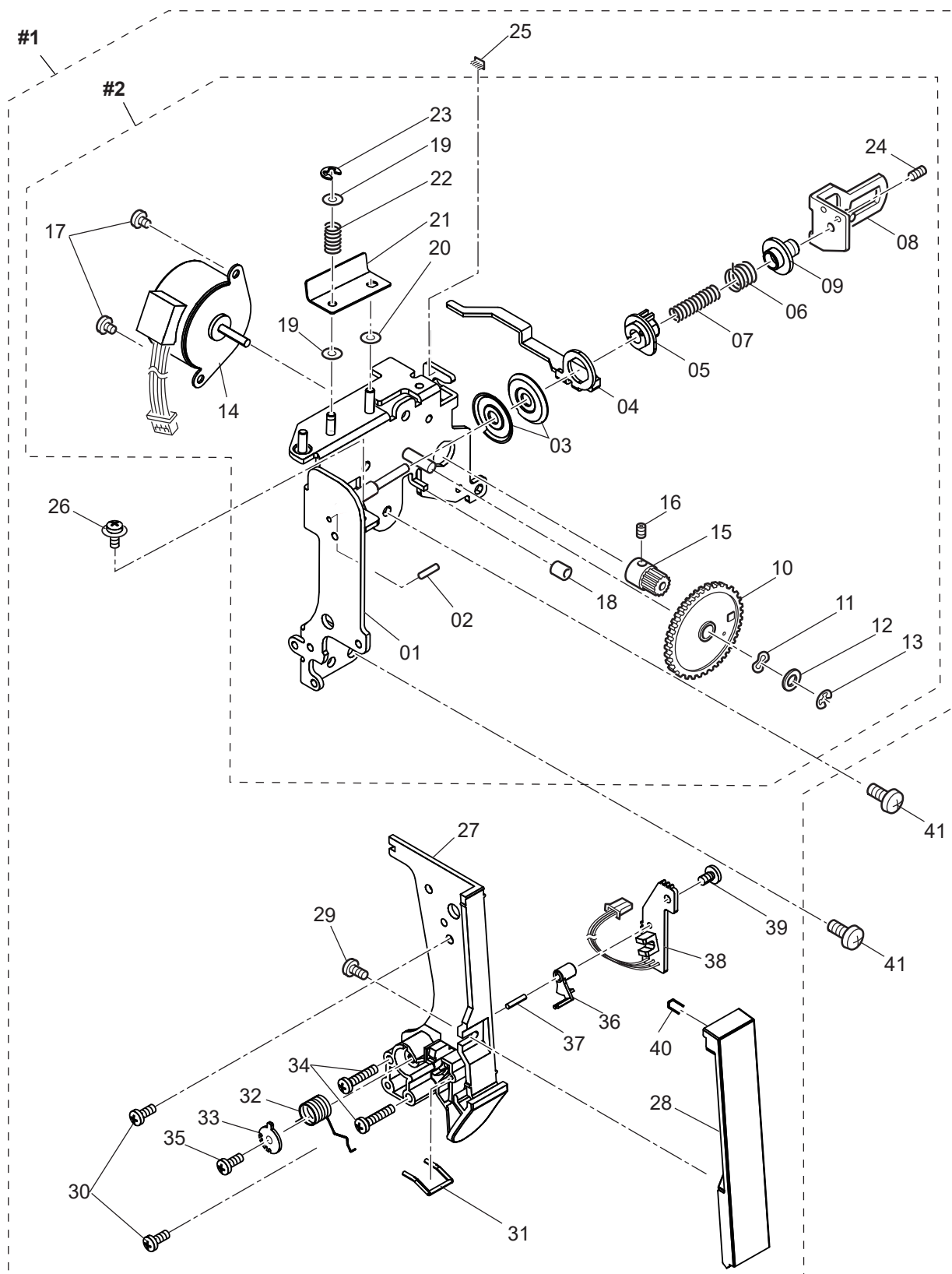


No.	Part No.	Description
#1	68022056	Face Plate Assy.
#2	68022057	Threader Lever Guide Assy.
#3	68022063	Face Plate Thread Guide Assy.
1	68022064	Face Plate
2	68022065	Face Plate Panel
3	68001207	PT Binding Screw M3*6
4	68022066	Threader Lever Guide Bar
5	68022067	Threader Lever Guide
6	68022070	Threader Lever
7	68001606	Binding Head Screw M3*5
8	68001558	Binding Head Screw M3*10
9	68022071	Spacer
10	68022076	Nut
11	68022077	Rubber Washer
12	68022078	Threader Lever Guide Bar Fixing Plate
13	68001288	PT Binding Screw M3*8
14	68022079	Washer
15	68022080	Face Plate Thread Guide Bracket Assy.
16	68022081	Face Plate Thread Guide Thread Hold Releasing Link Plate
17	68001684	Snap Ring
18	68022082	Face Plate Thread Guide Thread Hold Releasing Plate Spring
19	68022085	Face Plate Thread Guide Thread Hold Releasing Plate
20	68001684	Snap Ring
21	68022089	Face Plate Thread Guide Thread Hold
22	68001379	Binding Head Screw M2*2
23	68001288	PT Binding Screw M3*8
24	68022090	Threader Lever Spring
25	68022091	Threader Lever Knob
26	68022092	Thread Cutter Base
27	412423701	Thread Cutter
28	68001207	PT Binding Screw

C

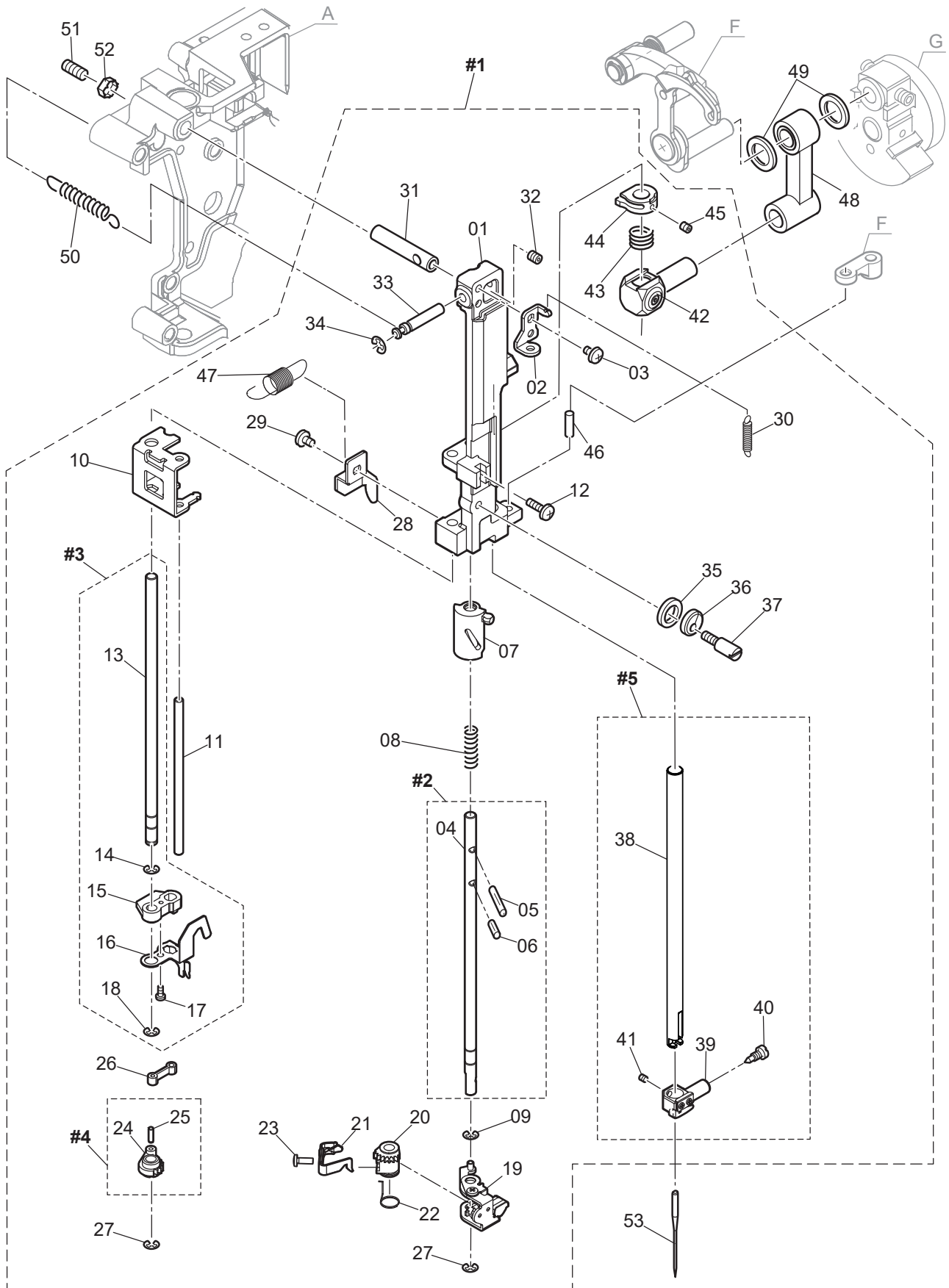


No.	Part No.	Description
#1	68022333	Unit Cover Assy.
1	68001539	Unit Cover
2	68001540	Thread Guide
3	68013505	Thread Guide Assy.
4	68001544	Adjustable Lock Nut
5	68001545	Spool Pin
6	68001546	Spool Pin Support Spring
7	68001207	PT Binding Screw M3*6
8	68001549	Thread Guide Wire
9	416709501	Brush
10	68001550	Bobbin Winder Guide Wire
11	68001551	Bobbin Winder Stop
12	68002533	Nut
13	68001553	Set Screw M3*8
14	68001554	Bobbin Winder Thread Cutter Cover
15	412423701	Thread Cutter
16	68001555	Flap
17	68022334	Pattern Chart
18	68001557	Pin
19	68022335	Handle
20	68001317	Handle Hinge (Left) Assy.
21	416402701	Wave Washer
22	416402801	Snap Ring
23	68002628	Thread Spool Sticker
24	68001321	Handle Hinge (Right) Assy.
25	68001191	Set Screw M4*8
26	68001558	Set Screw M3*10
27	270 HP33067	Hinge Cover
28	416402401	Set Screw M4*14
29	68001562	Thread Tension Cover
30	68001563	Set Screw M3*5
31	68001565	Front Cover
32	68001566	Start/Reverse Key-top
33	68001567	Switch Board Assy.
34	68001207	PT Binding Screw M3*6
35	68022336	Silicon Rubber Key-top Set
36	68001569	LCD Cover
37	68001570	Speed Key-top
38	68001571	Speed Control Board Assy.
39	68001207	PT Binding Screw M3*6
40	68001572	L.C.D
41	68001573	Board Assy.
42	68001574	Flat Cable
43	68001207	Set Screw PT M3*6
44	68001575	LED Light Cover (A)
45	68001576	LED Board Assy.(A)
46	68001207	PT Binding Screw M3*6
47	68001577	LED Light Cover (B)
48	68001578	LED Board Assy.(B)
49	68001579	Speed Nut
50	68001720	Brush
51	68001581	Accessory Box Cpl.



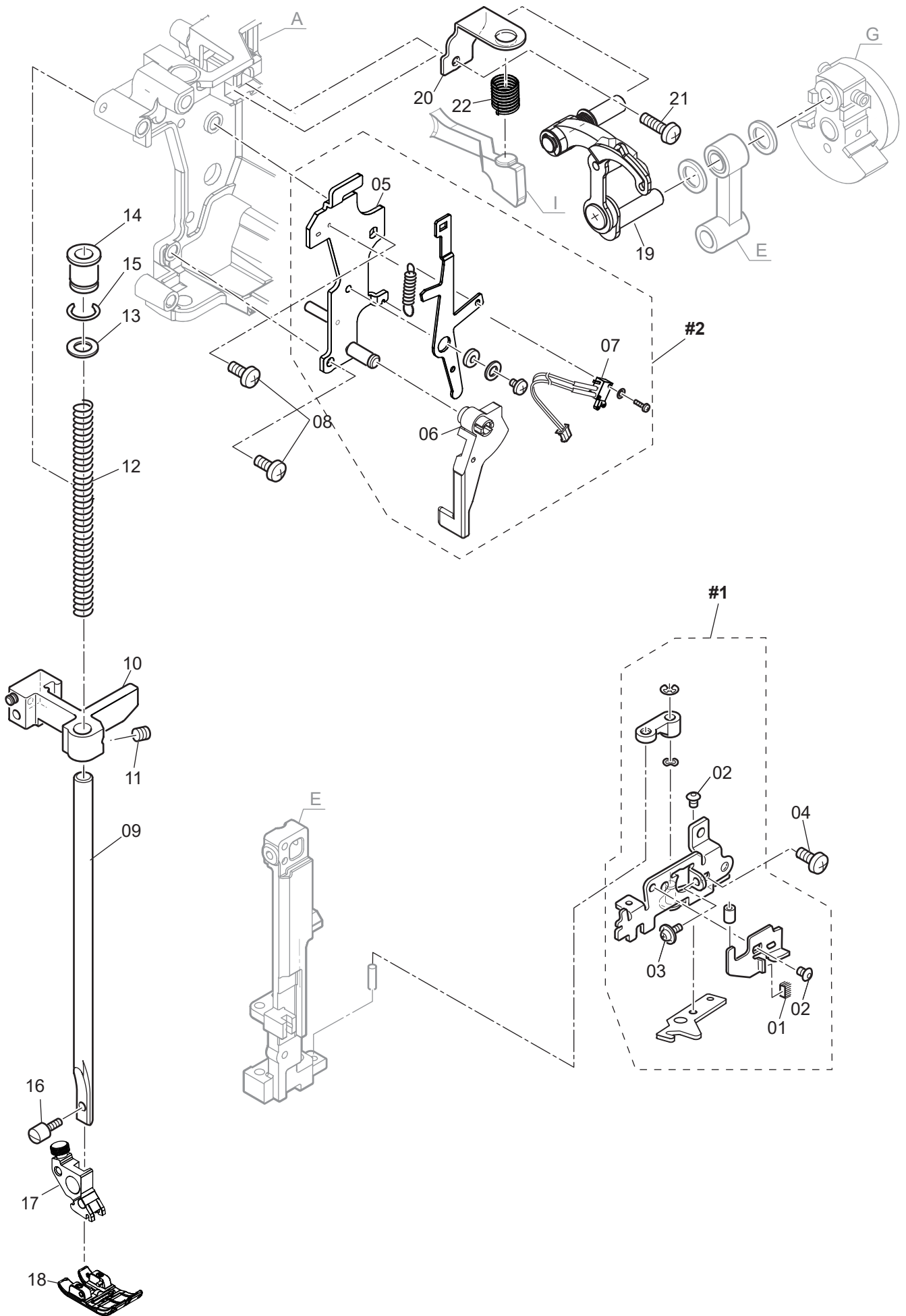
No.	Part No.	Description
#1	68022337	Thread Tension Ragulator Unit
#2	68022112	Thread Tension Assy.
1	68001584	Thread Tension Base Assy.
2	68001585	Spring Pin
3	68001586	Thread Tension Disc
4	68001587	Thread Tension Releasing Plate
5	68001588	Tension Collar
6	416395701	Thread Tension Spring
7	416395601	Thread Tension Sub-spring
8	416788401	Thread Tension Plate Assy.
9	68001589	Tension Regulating Screw
10	416395801	Thread Tension Cam
11	68001590	Wave Washer
12	68001591	Washer
13	68001592	Snap Ring
14	416395901	Tension Release Pulse Motor
15	68001594	Pulse Motor Gear
16	68001597	Set Screw M3*3
17	68001598	Set Screw M3*3
18	416709201	Rubber Cushion
19	68001599	Polyslider
20	68022113	Polyslider
21	68001600	Pre-Tension Plate
22	68001601	Pre-Tension Spring
23	68001286	Snap Ring
24	68001602	Set Screw M3*6
25	416709501	Brush
26	68001603	Set Screw M3*6
27	68001604	Thread Take-Up Lever Cover
28	68022338	Thread Take-Up Lever Cover Panel
29	68001207	PT Binding Screw M3*6
30	68001606	Binding Head Screw M3*5
31	416396001	Thread Guide
32	416396101	Thread Check Spring
33	68001607	Check Spring Adjust Plate
34	68001608	Set Screw M3*14
35	68001547	Set Screw PT M3*5
36	68001609	Thread Sensor Slit
37	68001655	Thread Sensor Slit Fulcrum Shaft
38	68001656	Thread Sensor Board Assy.
39	68001547	Set Screw PT M3*5
40	68001657	Thread Take-Up Lever Spool Wire
41	68001191	Set Screw M4*8

E



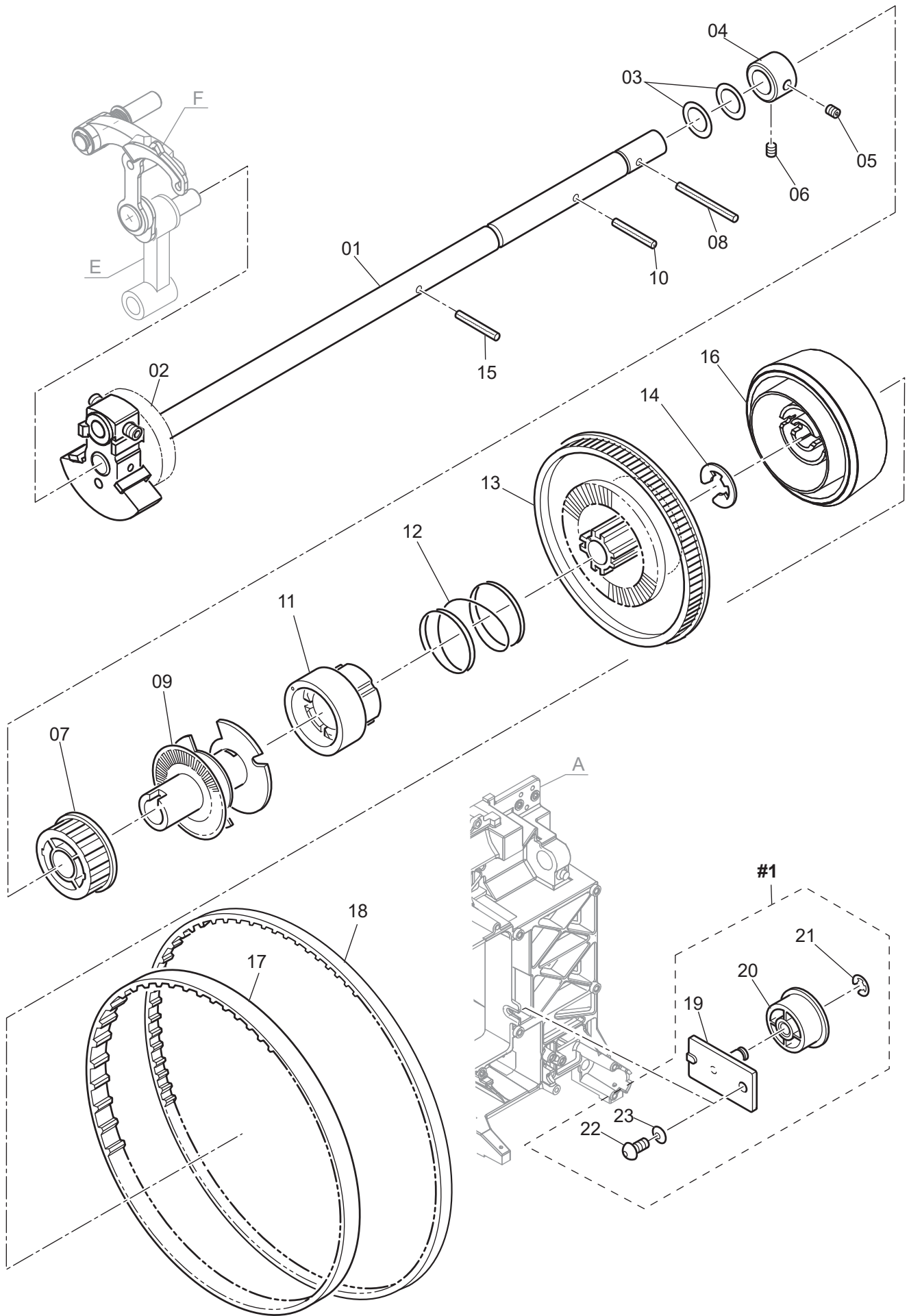
No.	Part No.	Description
#1	68022339	Needle Bar Guide Assy.
#2	68022134	Threader Bar Assy.
#3	68022135	Threader Guide Bar Assy.
#4	68022138	Threader Hook Link Gear Assy.
#5	68022340	Needle Bar Assy.
1	68022143	Needle Bar Guide
2	68022144	Threader Holder Spring Hook
3	68001606	Binding Head Screw M3*5
4	68022146	Threader Bar
5	68022147	Pin
6	68001759	Spring Pin
7	68022148	Threader Holder
8	68022149	Threader Bar Spring
9	68001684	Snap Ring
10	68022152	Threader Lever Link
11	68022156	Threader Lever Link Guide Bar
12	68001553	Binding Head Screw M3*8
13	68022157	Threader Guide Bar
14	68001684	Snap Ring
15	68022033	Threader Guide Arm
16	68022038	Thread Guide
17	68022039	PT Binding Screw M2*4
18	68001684	Snap Ring
19	68022058	Thread Gripper Unit
20	68022059	Threader Hook Body
21	68022061	Threader Hook Assy.
22	68022062	Threader Hook Thread Hold Spring
23	68022073	Binding Head Screw M2*6
24	68022074	Threader Hook Link Gear
25	68022075	Threader Gripper Drive Link Fulcrum Pin B
26	68022083	Threader Gripper Drive Link
27	68001684	Snap Ring
28	68022084	Threader Hook Thread Hold Spring Release Plate
29	68001606	Binding Head Screw M3*5
30	68022086	Threader Holder Spring
31	68001679	Needle Bar Guide Fulcrum Shaft (A)
32	68001681	Set Screw with Flat Point M4*4
33	68001682	Needle Bar Guide Fulcrum Shaft (B)
34	68001684	Snap Ring
35	68002494	Z Cam Follower
36	68002495	Needle Position Adjusting Collar
37	416709801	Needle Point Limiting Shaft
38	68002496	Needle Bar
39	68022088	Needle Clamp Assy.
40	68002636	Needle Clamp Screw (Embroidery)
41	270 HP32430	Set Screw with Flat Point M2.5*2.5
42	68001697	Needle Bar Clamp Assy.
43	416709901	Needle Bar Clamp Spring
44	416710001	Threader Stopper
45	68001493	Set Screw with Cup Point M3*3
46	68001704	Z Link Shaft
47	68022096	Z Guide Spring
48	68001706	Needle Bar Clank Rod Assy.
49	68001707	Washer
50	68001708	Spring for Needle Bar Guide Assy.
51	68001709	Set Screw with Flat Point M4*10
52	68001187	Adjustable Lock Nut
53		Needle

F



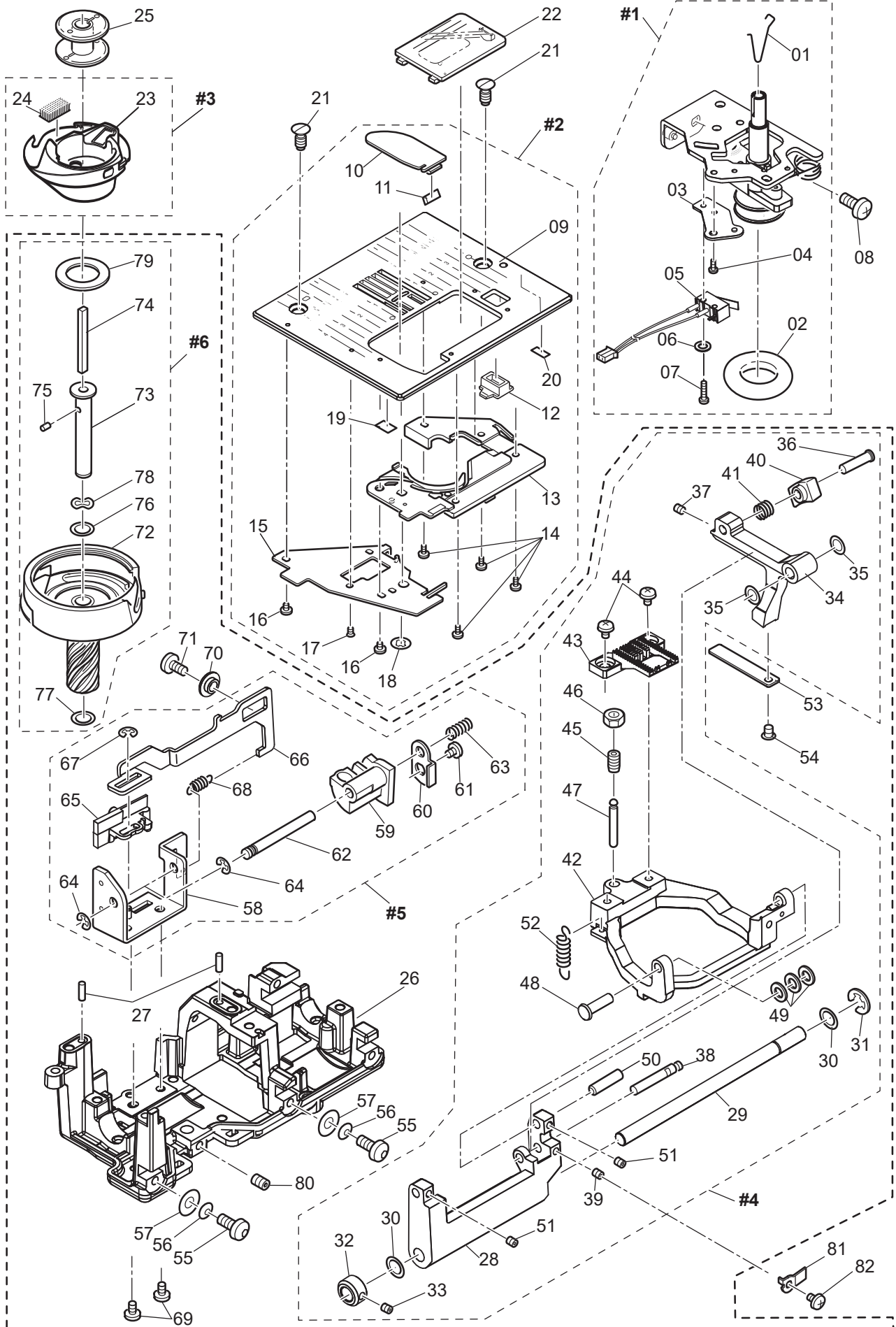
No.	Part No.	Description
#1	68001710	Z Link Bracket Unit
#2	68011262	Presser Foot Lifter Bracket Unit
1	68001720	Brush
2	416710301	Set Screw M3*4
3	68001603	Set Screw M3*6
4	68001191	Set Screw M4*8
5	68018415	Presser Foot Lifter Bracket Assy.
6	68002687	Presser Foot Lifter
7	68001730	Presser Foot Switch Assy.
8	68001191	Set Screw M4*8
9	68001733	Presser Bar
10	68011265	Presser Bar Guide Bracket Assy.
11	68001735	Set Screw M5*5
12	68001736	Presser Bar Spring
13	416786901	Washer
14	68001737	Presser Bar Bush
15	68001738	Snap Ring
16	68002497	Presser Foot Screw
17	68005972	Presser Foot Holder
18	820773096	Standard Foot
19	68001743	Thread Take-Up Lever Assy.
20	68018416	Thread Take-Up Lever Base Pin Plate
21	416402401	Set Screw M4*14
22	68001498	Dual Feed Up/Down Cam Presser Spring

G

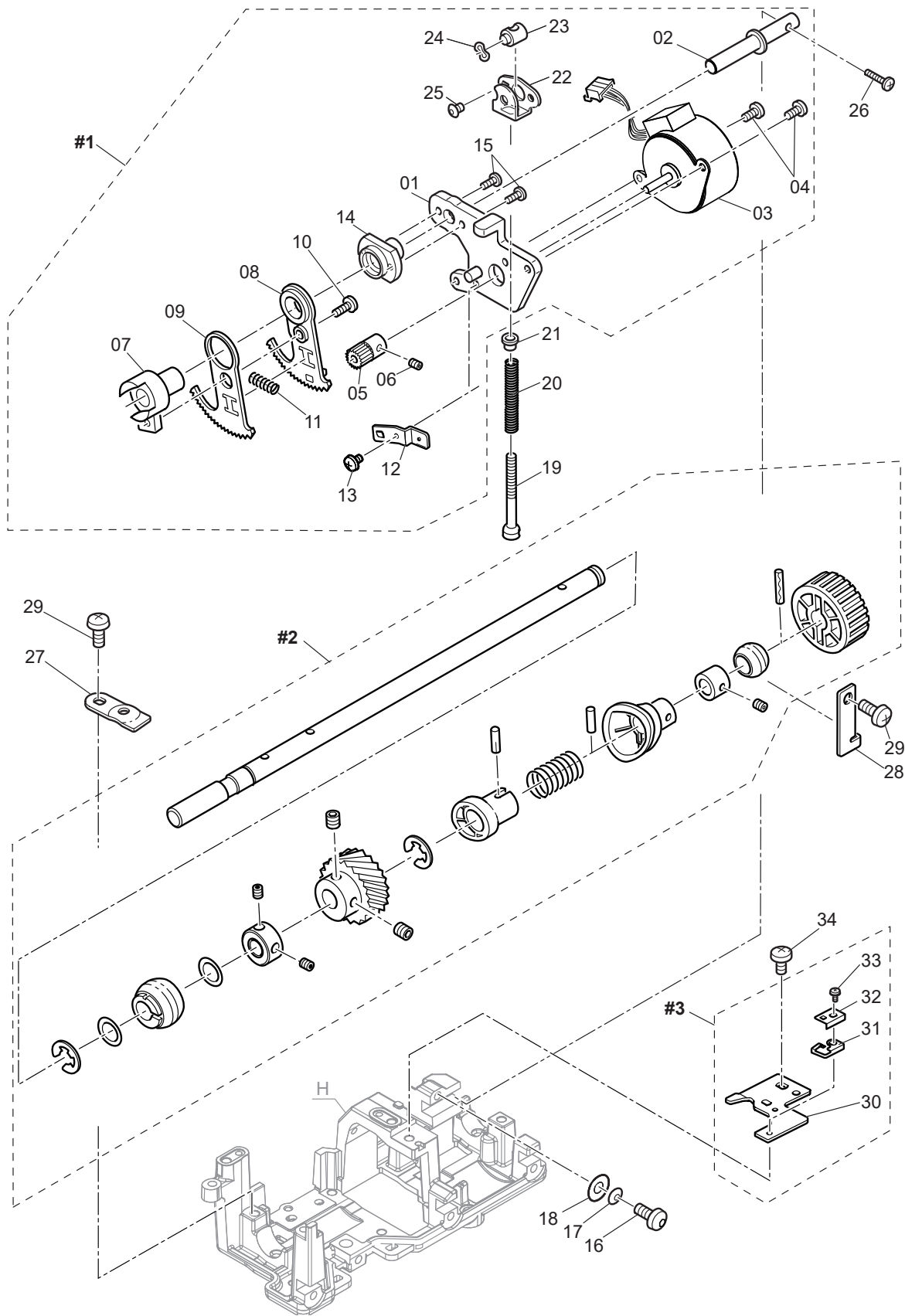


No.	Part No.	Description
#1	68001341	Belt Tension Assy.
1	68000145	Upper Shaft Assy.
2	68018417	Dual Feed Up/Down Cam
3	68000148	Polyslider
4	68000151	Upper Shaft Collar
5	68000153	Set Screw M4*4
6	68001681	Set Screw with Flat Point M4*4
7	68001199	Upper Shaft Timing Pulley
8	416400401	Spring Pin
9	68001234	STS Slit
10	68001326	Spring Pin
11	68001328	Clutch Change Collar
12	68001331	Clutch Change Spring
13	68001333	Belt Wheel
14	270 HP30045	Snap Ring
15	416400501	Spring Pin
16	68022341	Hand Wheel
17	416400301	Timing Belt (Upper Shaft)
18	68001340	Timing Belt (Motor)
19	68001342	Belt Tension Bracket Assy.
20	68001344	Tension Pulley
21	416402801	Snap Ring
22	68002633	Set Screw M4*8
23	68002631	Spring Washer

H

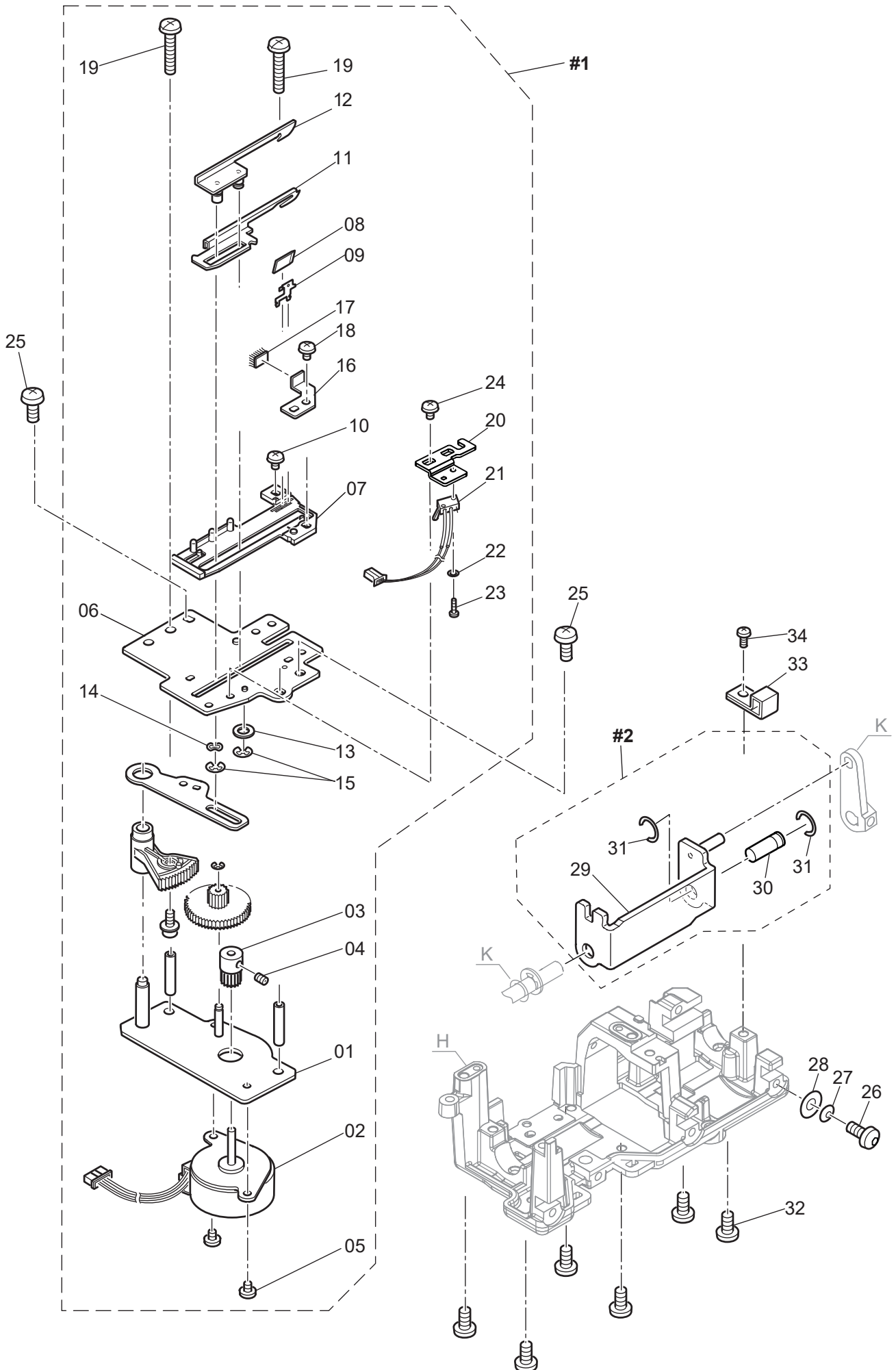


No.	Part No.	Description			
#1	68001347	Bobbin Winder Assy.	63	68002855	Feed Rocking Cam Follower Spring
#2	68011271	Needle Plate Assy.	64	68001592	Snap Ring
#3	68002958	Bobbin Holder Unit	65	68001454	Drop Feed Lever
#4	68001393	Feed Assy.	66	68001462	Drop Feed Lever Link
#5	68001452	Feed Rocking Assy.	67	68001286	Snap Ring
#6	68001467	Hook Race Unit	68	68002867	Threader Holder Spring
			69	68001464	Set Screw
1	68001349	Bobbin Winder Shaft Spring	70	68001465	Collar
2	68011273	Rubber Ring	71	68001466	Set Screw M4*6
3	68001352	Bobbin Winder Switch Bracket	72	270 HP30113	Hook Race Assy.
4	416710101	Set Screw M2.5*4	73	68002869	Hook Race Shaft
5	68001355	Bobbin Winder Switch Assy.	74	68013455	Oil Wick (1)
6	68001356	Washer	75	68001472	Oil Wick (2)
7	68001357	Set Screw M2*8	76	68001474	Polyslider
8	68001191	Set Screw M4*8	77	68001475	Polyslider
9	68001361	Needle Plate	78	68001856	Wave Washer
10	416789201	Thread Guide Plate	79	68001483	Magnet
11	412423701	Thread Cutter	80	68000153	Set Screw M4*4
12	68001364	Slide Lever	81	68018424	Dual Feed Lower Shaft Arm Holding
13	416789301	Bobbin Cover Plate Holder	Plate		
14	68001366	Set Screw M2*3	82	68001598	Set Screw M3*3
15	68013449	Bobbin Holder Stabilize Plate			
16	68001379	Binding Head Screw M2*2			
17	416789701	Set Screw M2*2.8			
18	416787101	Push Nut			
19	68001381	Rubber Seat			
20	416710801	Rubber Sheet			
21	416710801	Set Screw M4*8.5			
22	68011275	Bobbin Cover Plate			
23	68002499	Bobbin Holder Assy.			
24	68013450	Brush			
25	68001389	Bobbin			
26	68013536	Bed Unit Base			
27	68022104	Position Pin for Needle Plate			
28	68001397	Feed Shaft Guide			
29	68001398	Feed Shaft			
30	68001399	Polyslider			
31	68001400	Snap Ring			
32	68013468	Feed Shaft Collar			
33	68001597	Set Screw M3*3			
34	68018418	Feed Cam Follower			
35	68013481	Polyslider			
36	68001408	Feed Slide Block Fulcrum Shaft			
37	68001597	Set Screw M3*3			
38	68018421	Feed Cam Follower Fulcrum Shaft			
39	68001597	Set Screw M3*3			
40	68010957	Feed Slide Block			
41	68010955	Feed Slide Block Spring			
42	68001426	Feed Base			
43	68002542	Feed Dog			
44	68001606	Binding Head Screw M3*5			
45	416401301	Set Screw			
46	416401401	Adjustable Nut			
47	416401201	Feed Rocking Connecting Rod			
48	68001447	Feed Base Fulcrum Shaft (Left)			
49	68001591	Washer			
50	68018422	Feed Base Fulcrum Shaft (Right)			
51	68001597	Set Screw M3*3			
52	68001449	Feed Rocking Cam Follower Spring			
53	68018423	Feed Cam Follower Spring			
54	416710301	Button Head Screw M3*4			
55	68002633	Set Screw M4*8			
56	68002631	Spring Washer			
57	68002634	Washer			
58	68002854	Feed Rocking Cam Follower Bracket Assy.			
59	416711401	Feed Rocking Cam Follower			
60	416711501	Feed Rocking Cam Follower Plate			
61	68001547	Set Screw PT M3*5			
62	416711601	Feed Rocking Cam Follower Shaft			



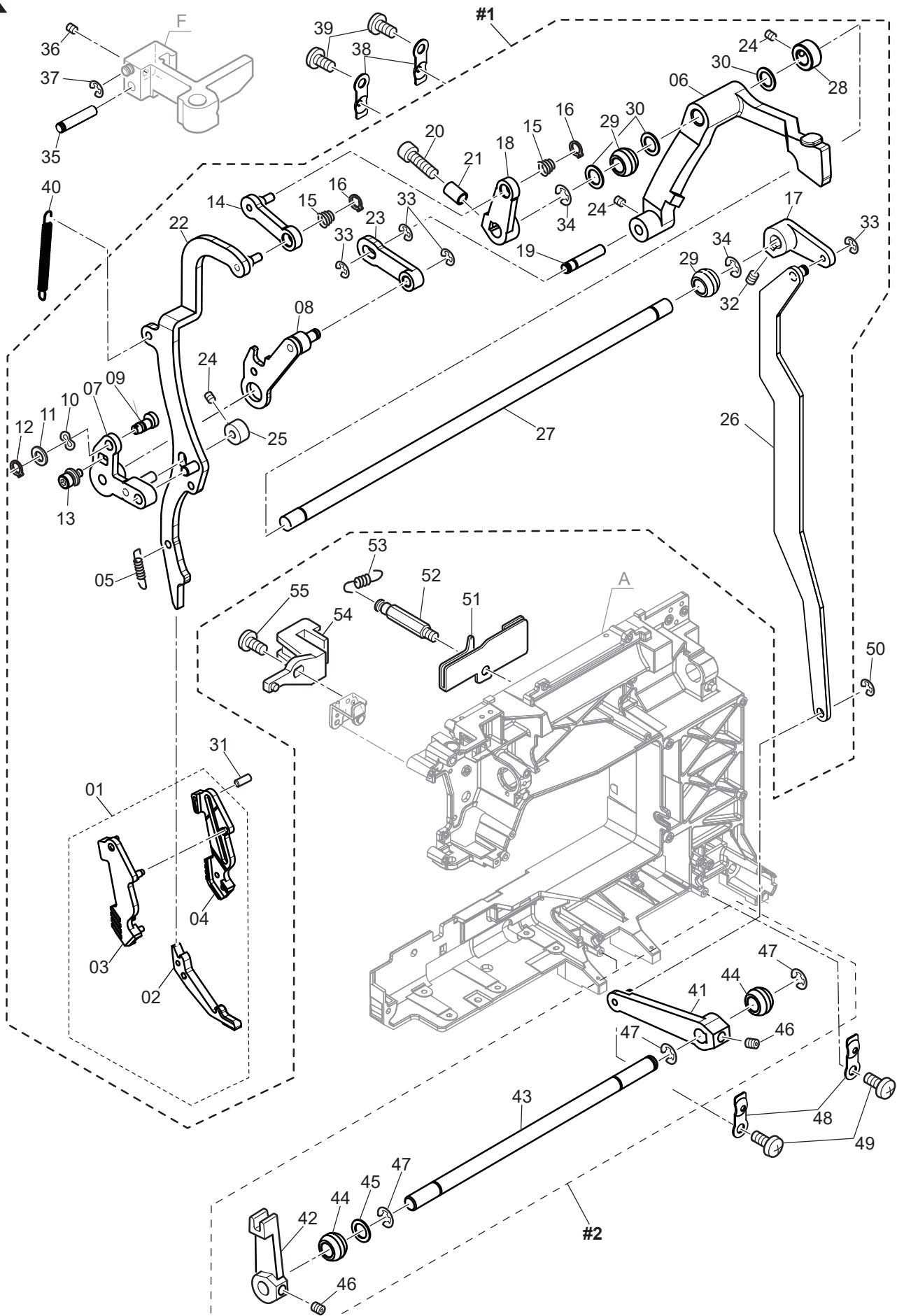
No.	Part No.	Description
#1	68001499	F Pulse Motor Assy.
#2	68001527	Lower Shaft Assy.
#3	68001659	Bobbin Holder Stopper Assy.
1	68013485	F Pulse Motor Bracket Assy.
2	68013494	Feed Regulator Shaft
3	68001509	F Pulse Motor
4	68013495	Set Screw M3*6
5	68001510	F Pulse Motor Gear
6	68001597	Set Screw M3*3
7	68001514	Feed Regulator
8	68001516	Feed Regulator Gear (A)
9	68001517	Feed Regulator Gear (B)
10	68001553	Binding Head Screw M3*8
11	68001520	Feed Regulator Gear Spring
12	68001521	Pulse Motor Bracket Plate
13	68001598	Set Screw M3*3
14	68013496	Feed Regulator Holder
15	68013497	Set Screw M2.5*6
16	68002633	Set Screw M4*8
17	68002631	Spring Washer
18	68002634	Washer
19	68001525	Forward-Reverse Feed Fine Adjustment Screw
20	68001526	Forward-Reverse Feed Fine Adjustment Spring
21	68018426	Forward-Reverse Feed Fine Adjustment Spring Collar
22	68001523	Feed Fine Adjustment Screw Nut Support Plate
23	68001524	Forward-Reverse Feed Fine Adjustment Screw Nut
24	68001590	Wave Washer
25	416710301	Set Screw M3*4
26	68013498	Set Screw M2.5*10
27	68001596	Ball Bushing Holder (Left)
28	68001658	Ball Bushing Holder
29	68001191	Set Screw M4*8
30	68001660	Bobbin Holder Stopper Bracket
31	68001662	Bobbin Holder Stopper Spring
32	68001667	Bobbin Holder Stopper Spring Cover
33	68001366	Set Screw M2*3
34	68002502	Set Screw M4*6

J



No.	Part No.	Description
#1	68002960	Thread Cutter Assy.
#2	68018425	Dual Feed Lower Shaft Arm Unit
1	68013461	Thread Cutter Pulse Motor Bracket Assy.
2	68001346	Thread Cutter Pulse Motor
3	68001594	Pulse Motor Gear
4	68001597	Set Screw M3*3
5	68001598	Set Screw M3*3
6	68013464	Thread Cutter Bracket
7	68013465	Thread Cutter Holding Base
8	412423701	Thread Cutter
9	68005912	Thread Divider
10	68001606	Binding Head Screw M3*5
11	68005911	Thread Catcher A
12	68005910	Thread Catcher B Assy.
13	68001591	Washer
14	68001712	Wave Washer
15	68001592	Snap Ring
16	416826401	Thread Holding Bracket
17	416789901	Brush
18	68001606	Binding Head Screw M3*5
19	68001395	Set Screw M4*22
20	68001409	Thread Cutter Switch Bracket
21	68001411	Thread Cutter Switch Assy.
22	416710401	Washer
23	68001731	Set Screw M1.7*6
24	68001598	Set Screw M3*3
25	68001191	Set Screw M4*8
26	68002633	Set Screw M4*8
27	68002631	Spring Washer
28	68002634	Washer
29	68018427	Dual Feed Lower Shaft Arm Assy.
30	68001422	Dual Feed Lower Shaft Arm Fulcrum Shaft
31	68018428	Snap Ring
32	68001191	Set Screw M4*8
33	68001228	Cord Holder
34	68001191	Set Screw M4*8

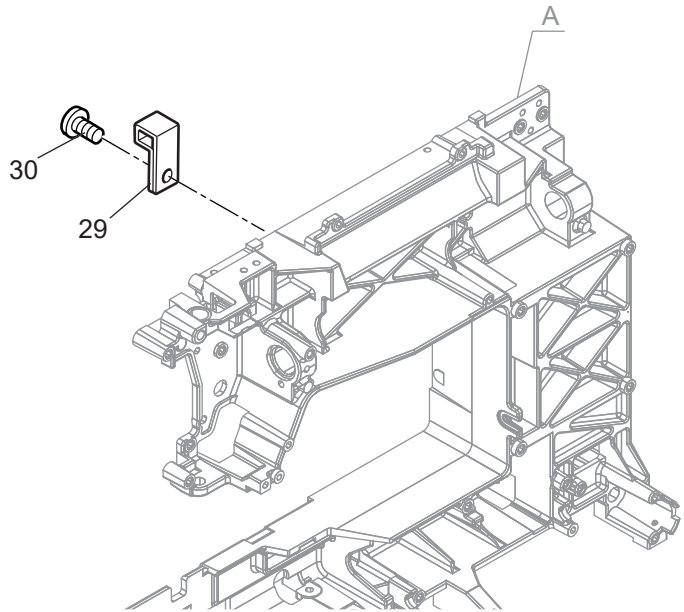
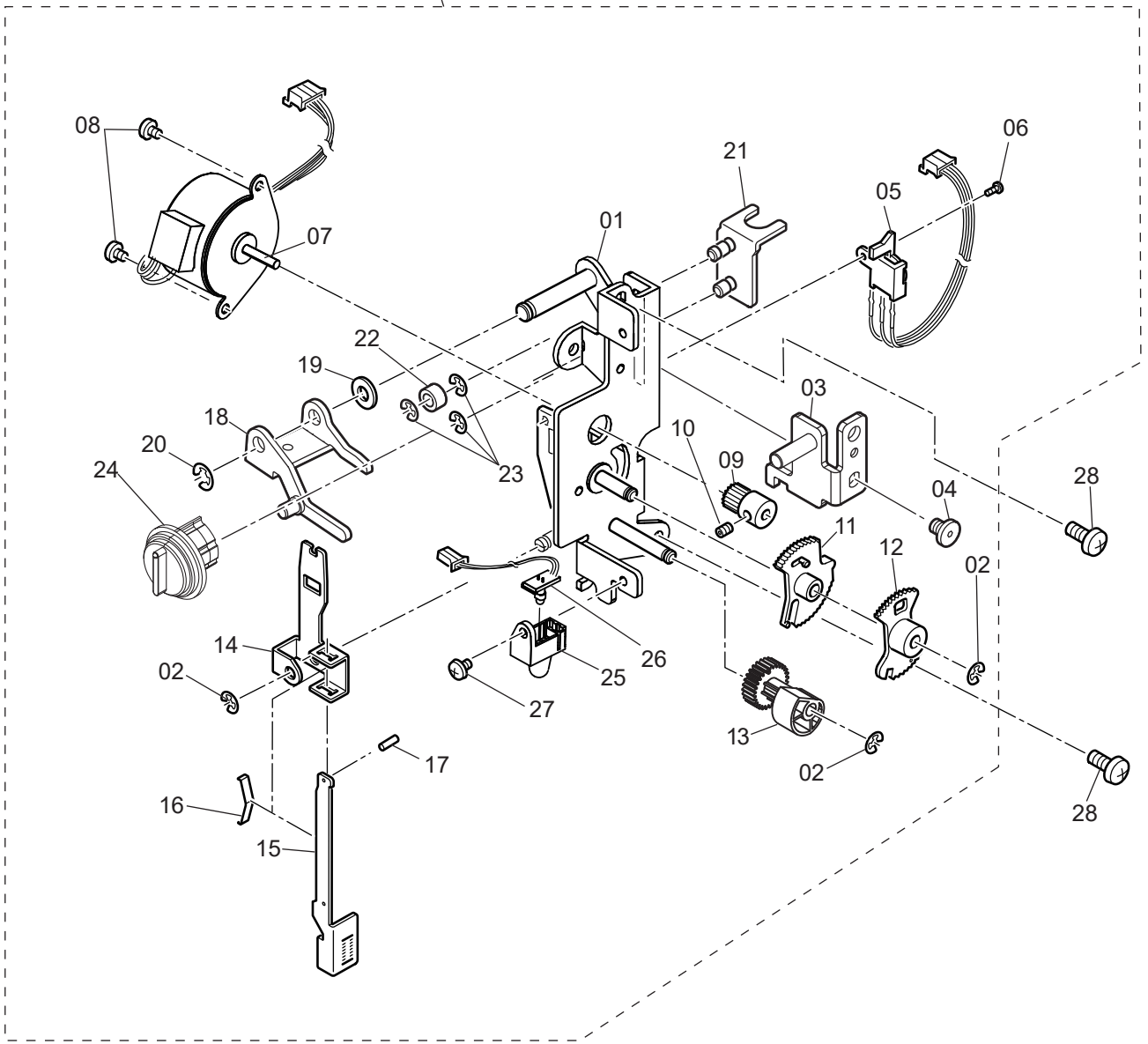
K



No.	Part No.	Description
#1	68011276	Dual Feed Unit Assy.
#2	68011277	Dual Feed Lower Shaft Assy.
1	68011285	Dual Feed Dog Assy.
2	68018429	Dual Feed Dog
3	68018430	Dual Feed Dog Holder (Left)
4	68018431	Dual Feed Dog Holder (Right)
5	68002635	Dual Feed Dog Spring
6	68018432	Dual Feed Up/Down Cam Lever
7	68018433	Dual Feed Up/Down Cam Lever Assy.
8	68018434	Dual Feed Up/Down Adjusting Plate Assy.
9	68018449	Dual Feed Height Adjusting Pin
10	68001590	Wave Washer
11	68001591	Washer
12	68019888	C-type Retaining Ring
13	68018450	Set Screw
14	68021642	Dual Feed Leg Front/Rear Link Assy.
15	68021643	Spring
16	68021644	Snap Ring
17	68001488	Dual Feed Leg Front/Rear Lever
18	68021645	Dual Feed Leg Front/Rear Lever (Left)
19	68021646	Dual Feed Up/Down Cam Lever Shaft
20	68002535	Set Screw M4*14
21	68002536	Spacer
22	68021647	Dual Feed Leg Assy.
23	68021648	Dual Feed Up/Down Link Assy.
24	68001597	Set Screw M3*3
25	68022889	Collar
26	68001495	Dual Feed Up/Down Shaft Link Assy.
27	68023068	Dual Feed Upper Shaft
28	68001401	Feed Shaft Collar
29	68001504	Ball Bushing
30	416705201	Polyslider
31	68001511	Straight Pin
32	68000153	Set Screw M4*4
33	68001592	Snap Ring
34	416402801	Snap Ring
35	68001490	Dual Feed Up/Down Cam Lever Shaft
36	68001597	Set Screw M3*3
37	68001592	Snap Ring
38	68001685	Dual Feed Ball Bushing Holder
39	68001191	Set Screw M4*8
40	68018451	Dual Feed Cloth Presser Spring
41	68001691	Dual Feed Lower Shaft Lever Assy.
42	68024848	Dual Feed Link Lever
43	68001693	Dual Feed Lower Shaft
44	68001504	Ball Bushing
45	416705201	Polyslider
46	68000153	Set Screw M4*4
47	416402801	Snap Ring
48	68001685	Dual Feed Ball Bushing Holder
49	68001191	Set Screw M4*8
50	68001592	Snap Ring
51	68001700	Cable Clamp
52	68002539	Stud
53	68002541	Dual Feed Leg Front/Rear Lever Spring
54	68024849	Dual Feed Leg
55	68001191	Set Screw M4*8

L

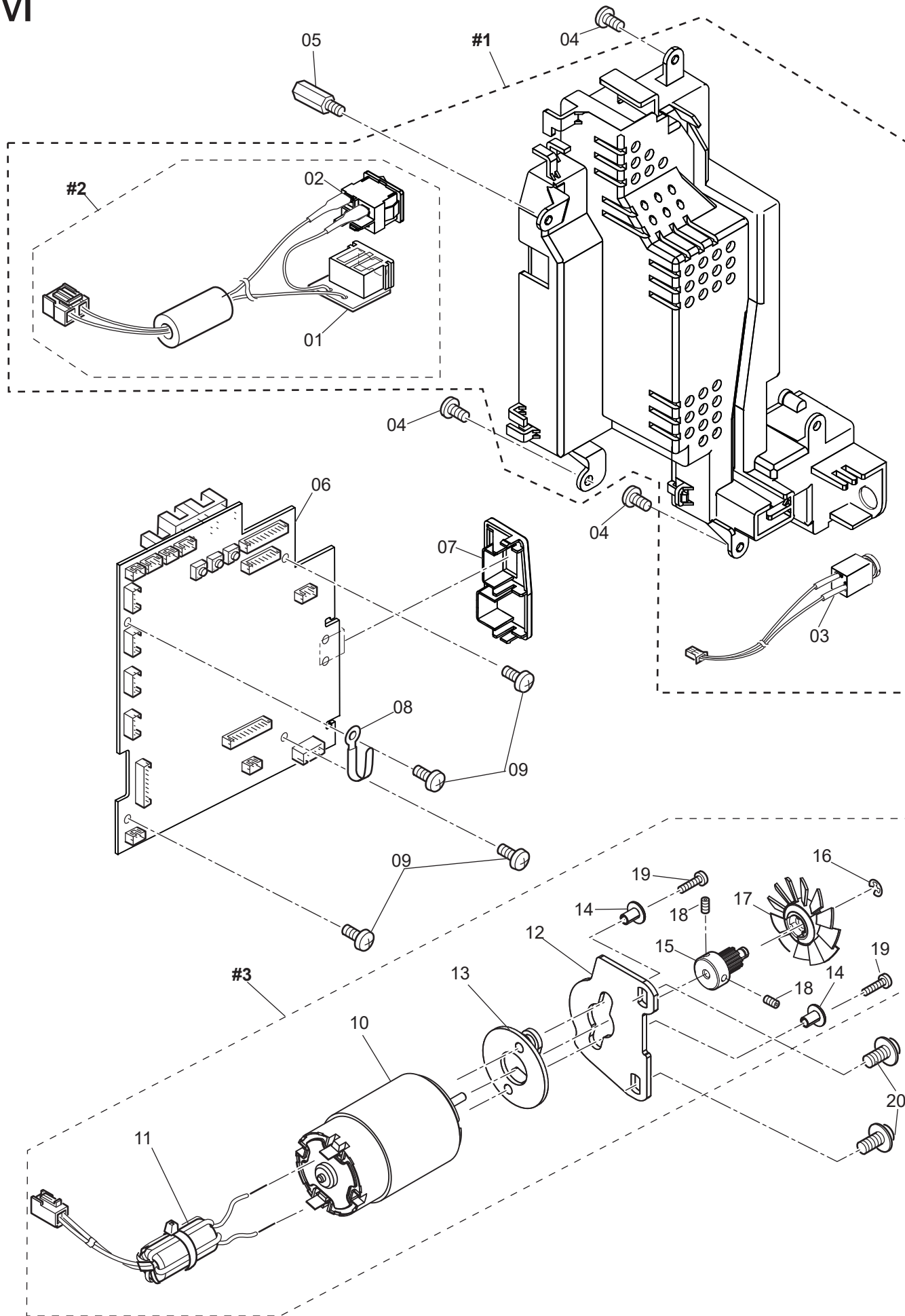
#1



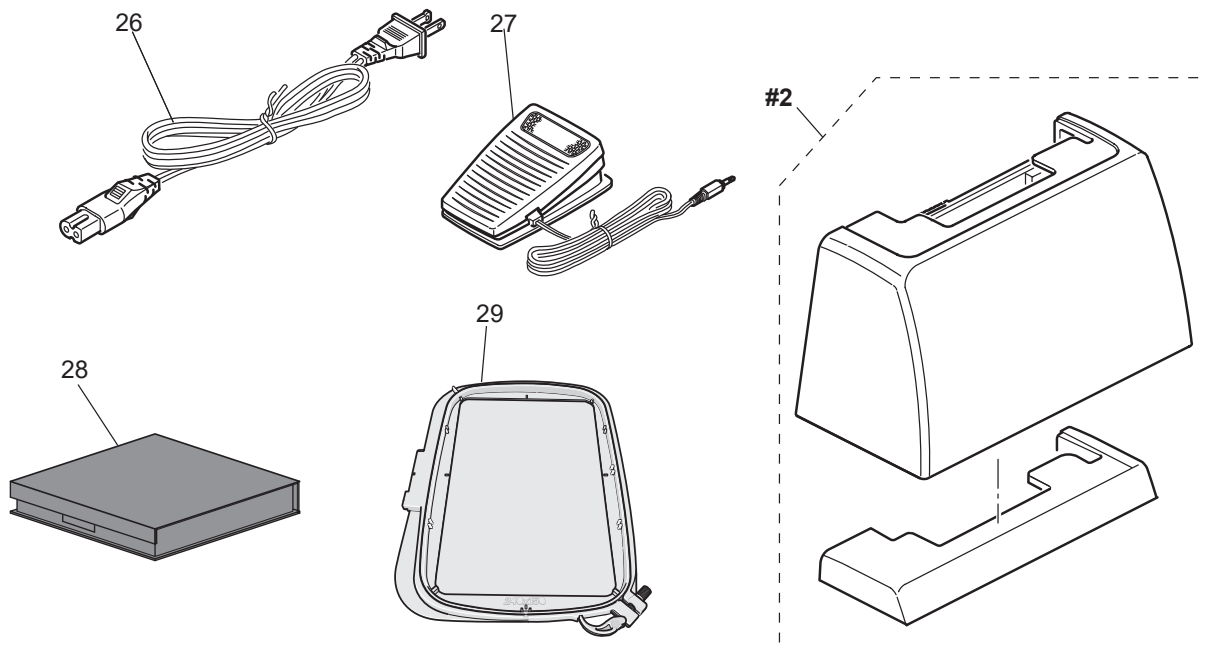
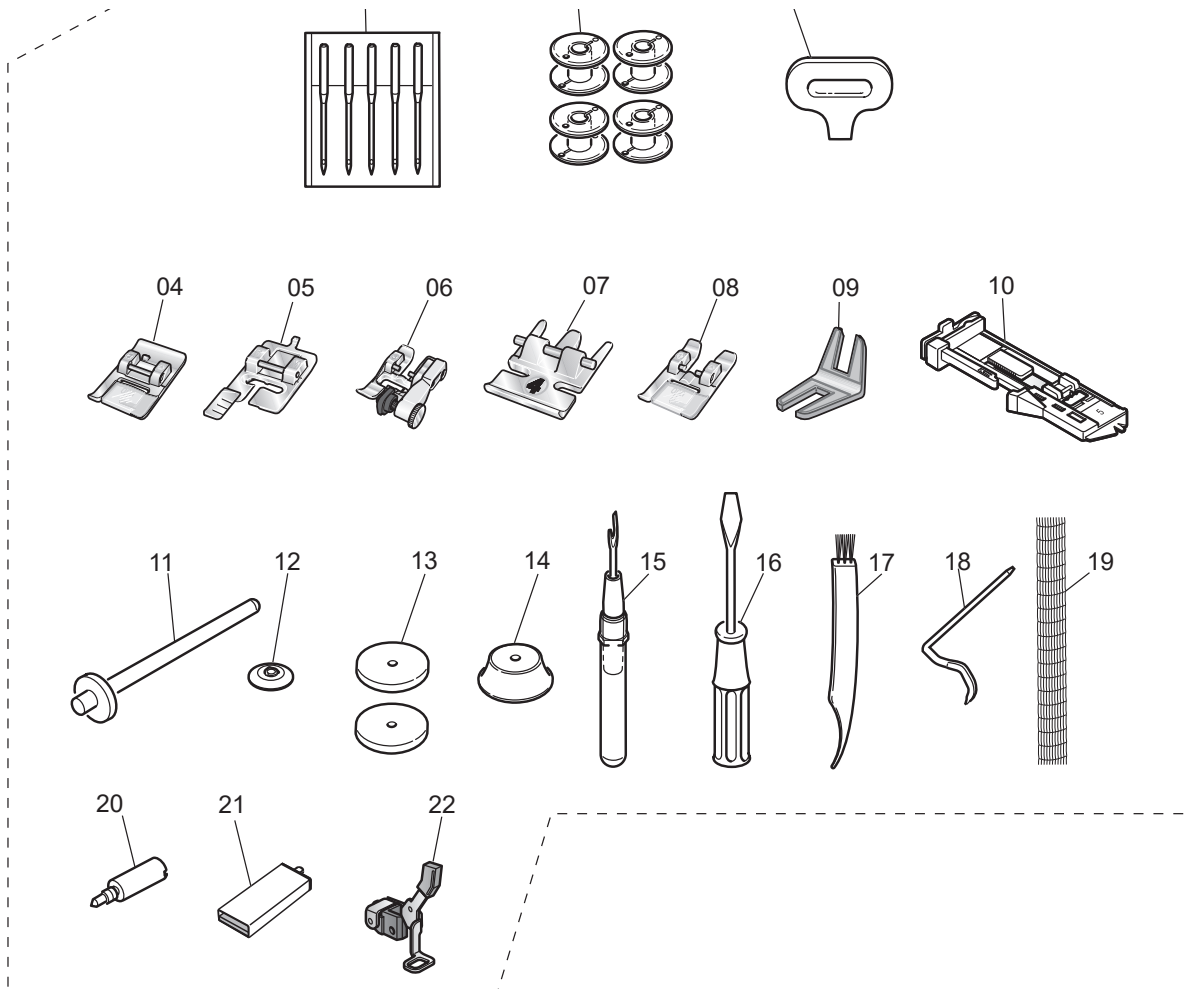
No.	Part No.	Description
#1	68022342	Z Pulse Motor Assy.
1	68022110	Z Pulse Motor Bracket Assy
2	68001592	Snap Ring
3	68022161	Pressure Regulator Dial Bracket Assy.
4	68001464	Hexagon Socket Head Screw M4*5
5	68001750	BH Switch Assy.
6	416710101	Set Screw M2.5*4
7	68001752	Z Pulse Motor
8	68001598	Set Screw M3*3
9	68001594	Pulse Motor Gear
10	68001753	Set Screw M3*4
11	68001754	Center Gear (A)
12	68001765	Center Gear (B)
13	68022162	Z Cam
14	68001756	BH Plate
15	68001757	BH Lever
16	68001758	BH Lever Spring
17	68001759	Spring pin
18	68022164	Pressure Regulator Cam Follower Assy.
19	68001761	Washer
20	416402801	Snap Ring
21	68022166	Pressure Regulator Plate Assy.
22	68022169	Pressure Regulator Roller
23	68001592	Snap Ring
24	68022343	Pressure Regulator Dial
25	68001575	LED Light Cover (A)
26	68001764	LED Board Assy(C)
27	68001606	Set Screw M3*5
28	68001191	Set Screw M4*8
29	68001228	Cord Holder
30	68001191	Set Screw M4*8



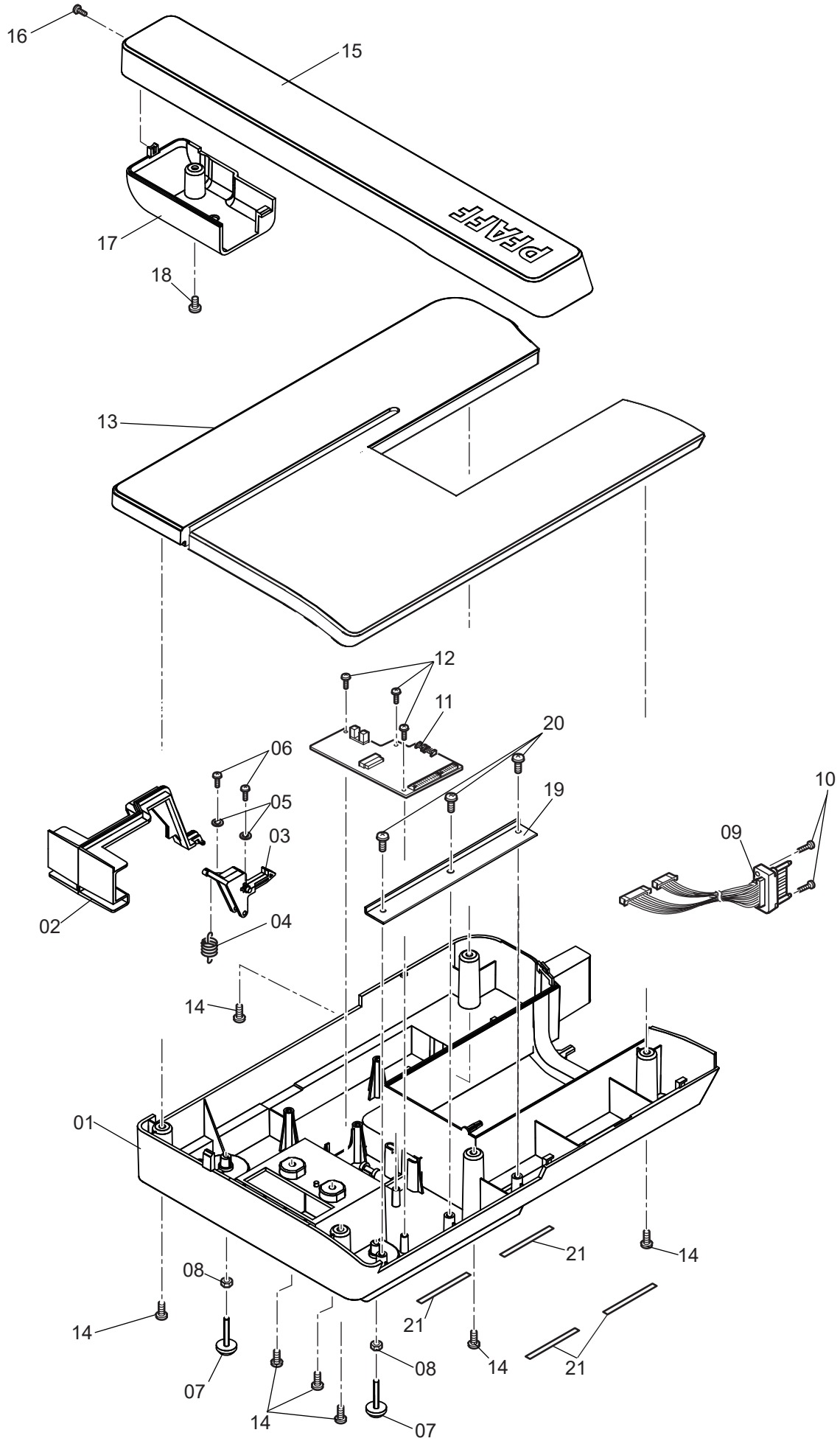
M



No.	Part No.	Description
#1	68011287	Power Circuit Assy.
#2	68001768	Power Socket Assy.
#3	68012010	Motor Assy.
1	68001769	Power Socket Circuit
2	68001770	Power Switch
3	68001772	Controller Jack Assy.
4	68001191	Set Screw M4*8
5	68001774	Stud
6	68022345	CPU Board Assy.
7	68001779	USB Connector Cover
8	68001780	Coating Grip
9	68001191	Set Screw M4*8
10	68013407	Motor
11	68013954	DC Motor Harness Assy.
12	68013955	Motor Bracket
13	68013409	Rubber Cushion
14	68013410	Motor Collar
15	68013411	Motor Pulley
16	68001592	Snap Ring
17	270 HP32925	Motor Fan
18	68001703	Set Screw M3*6
19	68001558	Set Screw M3*10
20	416403001	Set Screw M5*10



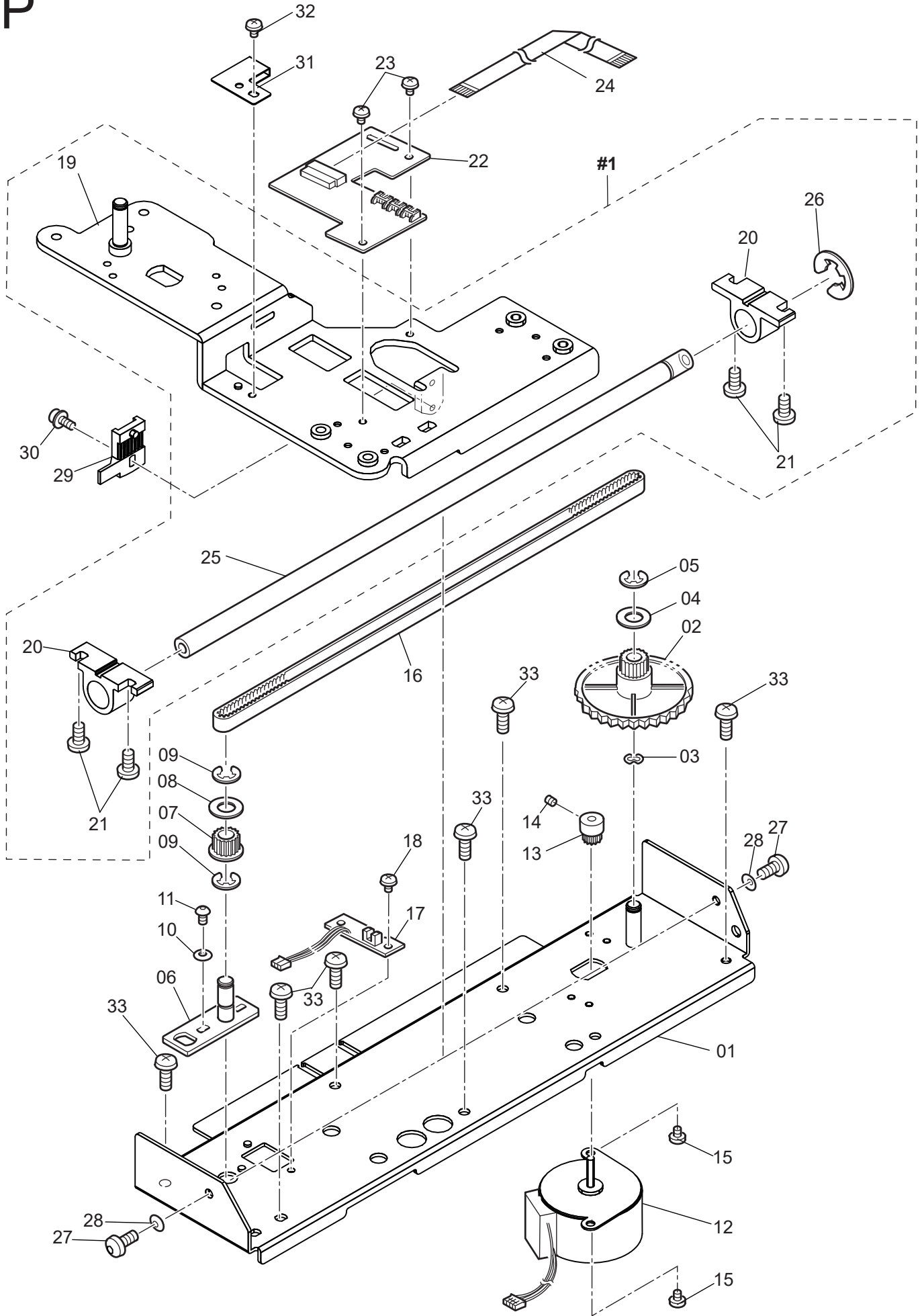
No.	Part No.	Description
#1	68001806	Accessory Kit
#2	68022174	Dust Cover Unit
1	620098796	Needle Set
2	68001389	Bobbin
3	68001808	Screw Driver for Needle Plate
4	413060501	Fancy Stitch Foot 2A
5	413005502	Manual BH Foot 5M
6	820256096	Blindhem Foot 3
7	820248096	Zipper Foot 4
8	413059801	Fancy Stitch Foot 1A
9	413105601	Multi-Purpose Tool
10	68002863	One Step BH Foot 5
11	68001820	Auxiliary Spool Pin
12	68001821	Small Thread Cap
13	412610701	Felt
14	68001559	Thread Cap
15	68001822	Stitch Ripper
16	68001823	Screw Driver
17	68001824	Brush
18	68001825	Edge Guide
19	68001826	Spool Net
20	68002630	Needle Clamp Screw
21	413095708	USB Memory Stick
22	68001828	Embroidery Sewing Foot
26	412157903	Power Cord (USA, CND)
26	412157801	Net Cable 220V (EU)
26	412158002	Net Cable (GB)
27	68001834	Controller
28	68022175	Anniversary Accessory Kit
29	68003094	Hoop 150*240 (Assy.)





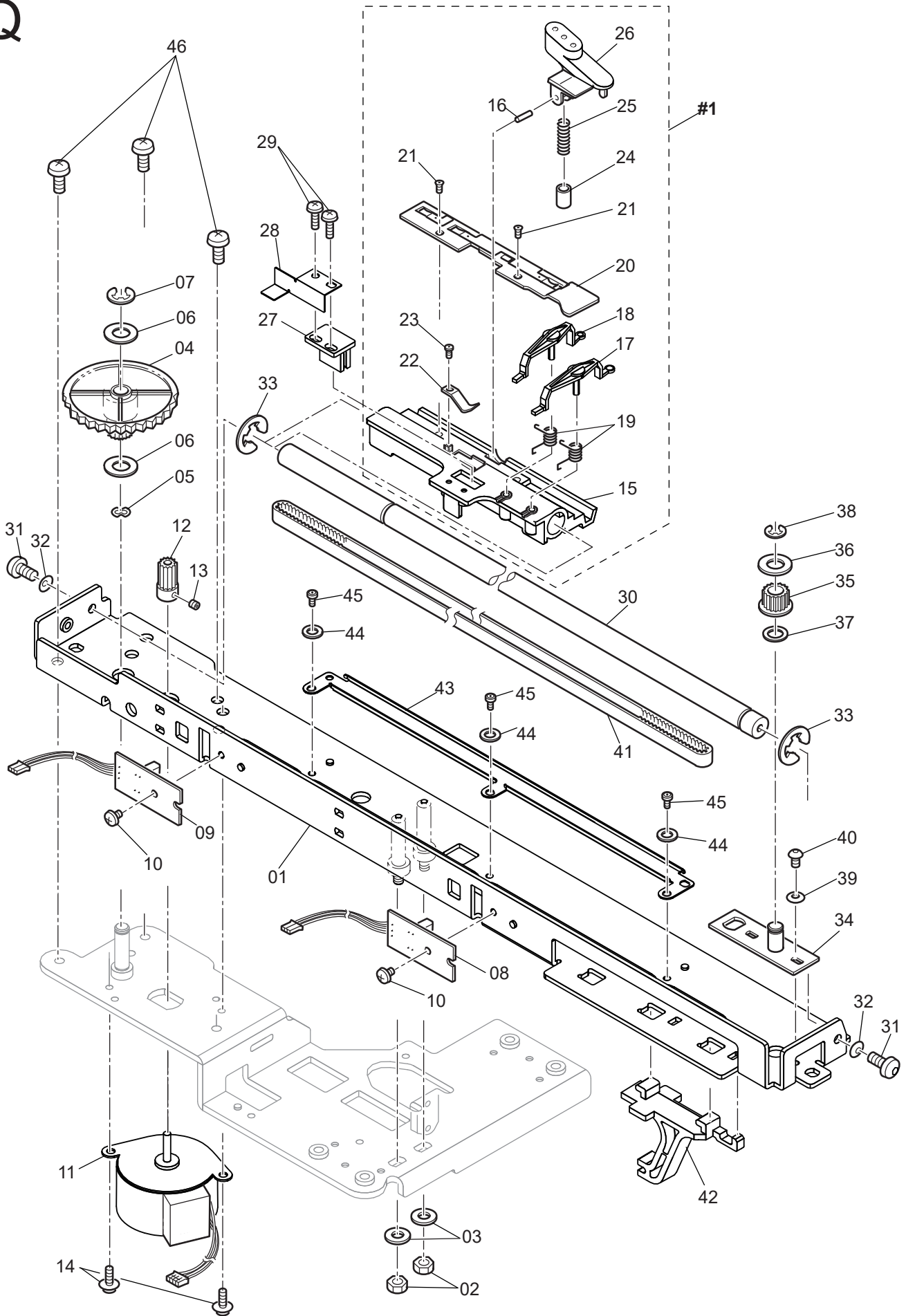
No.	Part No.	Description
1	68001836	X Base Cover
2	68001837	Release Lever
3	68001839	Release Lever Hook
4	68001839	Release Lever Spring
5	68001841	Washer
6	68001288	Set Screw PT M3*8
7	68001842	Rubber Foot Adjuster
8	416786801	Nut
9	68001843	Embroidery Unit Connect Assy.
10	68001844	Set Screw PT M3*12
11	68022346	Board (2) Assy.
12	68001288	Set Screw PT M3*8
13	68001846	X Top Cover w/cloth
14	68001198	Set Screw PT M4*10
15	68001848	Y Carriage Cover A
16	68001553	Set Screw M3*8
17	68001850	Y Carriage Cover B
18	68001191	Set Screw M4*8
19	68001853	Y Carriage Guide Plate
20	68001198	Set Screw PT M4*10
21	68002543	Felt

P



No.	Part No.	Description
#1	68002841	X Carrier Unit
1	68001854	X Carriage Base Assy.
2	68001855	Drive Pulley
3	68001856	Wave Washer
4	68001857	Washer
5	68001400	Snap Ring
6	68001858	Tension Pulley Bracket Assy.
7	68001859	Tension Pulley
8	68001860	Washer
9	68001400	Snap Ring
10	68001861	Disc Spring Washer
11	68001862	Set Screw M3*5
12	68001863	X Pulse Motor
13	68001864	Pulse Motor Gear
14	68001493	Set Screw M3*3
15	68001598	Set Screw M3*3
16	68001865	X Timing Belt
17	68001866	X Sensor Board Assy.
18	68001606	Set Screw M3*5
19	68001868	X Carrier Assy.
20	68001869	X Guide Shaft Follower
21	68001191	Set Screw M4*8
22	68022348	Board (1) Assy.
23	68001606	Set Screw M3*5
24	68001871	Flexible Flat Cable
25	68001872	X Guide Shaft
26	68001874	Snap Ring
27	68002633	Set Screw M4*8
28	68002631	Spring Washer
29	68001875	X Belt Holder
30	68001876	Set Screw
31	68001878	X Harness Holder
32	68001598	Set Screw M3*3
33	68001198	Set Screw PT M4*10

Q



No.	Part No.	Description
#1	68006061	Y Carrier Assy.
1	68001221	Y Carriage Base Assy.
2	416786801	Nut
3	68001297	Washer
4	68001855	Drive Pulley
5	68001856	Wave Washer
6	68001857	Washer
7	68001400	Snap Ring
8	68022351	Hoop Sensor Board Assy.
9	68022352	Y Sensor Board Assy.
10	68001606	Set Screw M3*5
11	68001428	Y Pulse Motor
12	68001431	Pulse Motor Gear
13	68001771	Set Screw M3*2.5
14	68001773	Set Screw M3*4
15	413026801	Y Carrier
16	68013784	Needle Bearing Pin
17	412749801	Y Carrier Sensor Arm (A)
18	412525402	Y Carrier Sensor Arm (B)
19	412555701	Sensor Arm Spring
20	413026901	Hoop Stable Plate Assy.
21	411967306	Set Screw
22	68014603	Y Carrier Spring
23	68014773	Set Screw
24	412590003	Sleeve
25	412526601	Hoop Stable Spring
26	413030201	Y Carrier Ratch
27	68001788	Y Belt Holder
28	68001791	Y Carrier Shield Plate
29	68001288	Set Screw PT M3*8
30	68001792	Y Guide Shaft
31	68002633	Set Screw M4*8
32	68002631	Spring Washer
33	68001793	Snap Ring
34	68001794	Y Tension Pulley Bracket Assy.
35	68001859	Tension Pulley
36	68001795	Washer
37	416705201	Polyslider
38	416402801	Snap Ring
39	68001861	Disc Spring Washer
40	68001862	Set Screw M3*5
41	68001797	Y Timing Belt
42	68001798	Y Carriage Guide
43	68001799	Y Carrier Guide
44	68001841	Washer
45	68001805	Set Screw M3*3
46	68001191	Set Screw M4*8