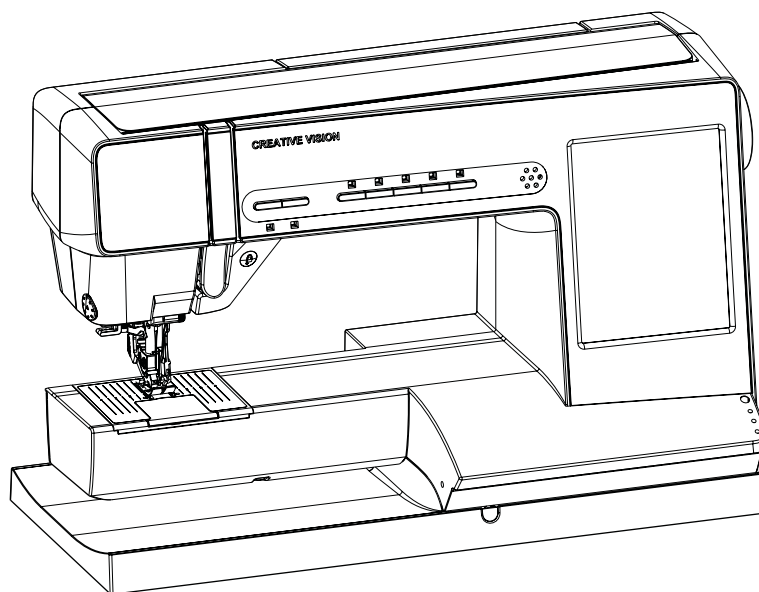


PFAFF

creative vision 5.5

Parts list



Nicht nummerierte Teile im Katalog werden nicht geliefert.

The parts mentioned without number in the parts list are not available.

Les pièces qui ne sont pas numérotées dans la liste de pièces détachées ne peuvent être livrées.

Bei Bestellung von Ersatzteilen muss die Modell-Nr. der Maschine, die Seitenzahl des Kataloges und die Teilenummer angegeben werden.

Prière d'indiquer dans vos commandes de pièces de rechange, le numéro de la machine, le numéro de la page dans la liste des pièces détachées, ainsi que les numéros des pièces commandées.

When ordering spare parts, please state the model number, the page number in the catalogue of spare parts and the number of the parts called for.



Please note that on disposal, this product must be safely recycled in accordance with relevant National legislation relating to electrical/electronic products. If in doubt please contact your retailer for guidance.



Bitte beachten Sie, dass hinsichtlich der Entsorgung dieses Produkts, vorschriftsmäßig entsprechend der gültigen nationalen Gesetzgebung für elektrische/elektronische Produkte, recycelt werden muss. Bei Zweifel setzen Sie sich bitte mit Ihrem Fachhändler in Verbindung.



Veuillez noter qu'en cas de destruction, ce produit doit bénéficier d'un recyclage sécurisé, conforme à la législation nationale applicable aux produits électriques/électroniques. En cas de doute, veuillez contacter votre distributeur agréé.

- All casted parts within our products are marked with name of material if allowed by size.
- All molded plastic parts within our products are marked with name of material if allowed by size.

STANDARD ACCESSORIES

413021604	ACCESSORY SET CPL
401555501	CLEANING BRUSH
412381501	SCREWDRIVER MEDIUM
401539901	BUTTON HOLE KNIFE
413105601	CLEARANCE PLATE
820921096	PLASTIC BOBBIN 10 PACK GREY
412610701	FELT
620071196	UNIV. NEEDLE 70/80/90, 5-P
412397701	THREAD NET
413051602	SPOOLCAP MEDIUM 35MM
413051603	SPOOLCAP LARGE 45MM
820251096	EDGE GUIDE
413109701	KNEELIFTER CPL
412693401	STYLUS
413095708	USB EMBROIDERY STICK 1 GB PFAFF
412625901	USB CABLE WITHOUT FERRITCORE - USA/CAN VERSION
412625904	USB CABLE WITH FERRITCORE
820774096	PRESSER FOOT 1A FANCY STITCH FOOT W IDT
413060501	PRESSER FOOT 2A FANCY STITCH FOOT
820256096	PRESSER FOOT 3 BLINDHEM FOOT W IDT
820248096	PRESSER FOOT 4 ZIPPER FOOT W.IDT
820672096	PRESSER FOOT 5M MAN. BUTTONHOLE FOOT
820671096	PRESSER FOOT 6A EMBR/SENSOMATIC FREE-MOTION
820249096	PRESSER FOOT 7 ROLLED HEM FOOT 3 MM WITH IDT
820778096	PRESSER FOOT 8 MAXI STITCH FOOT
413170301	PRESSER FOOT 5A SENSORMATIC BUTTONHOLE FOOT

USERS GUIDE

413069101	CREATIVE VISION 5.5 USERS GUIDE, SWE
413069106	CREATIVE VISION 5.5 USERS GUIDE, DEN
413069111	CREATIVE VISION 5.5 USERS GUIDE, FIN
413069121	CREATIVE VISION 5.5 USERS GUIDE, NOR
413239226	CREATIVE VISION 5.5 USERS GUIDE, ENG
413069131	CREATIVE VISION 5.5 USERS GUIDE, FRA
413069136	CREATIVE VISION 5.5 USERS GUIDE, HOL
413069141	CREATIVE VISION 5.5 USERS GUIDE, ITA
413069146	CREATIVE VISION 5.5 USERS GUIDE, SPA
413191351	CREATIVE VISION 5.5 USERS GUIDE, GER
413069156	CREATIVE VISION 5.5 USERS GUIDE, RUS

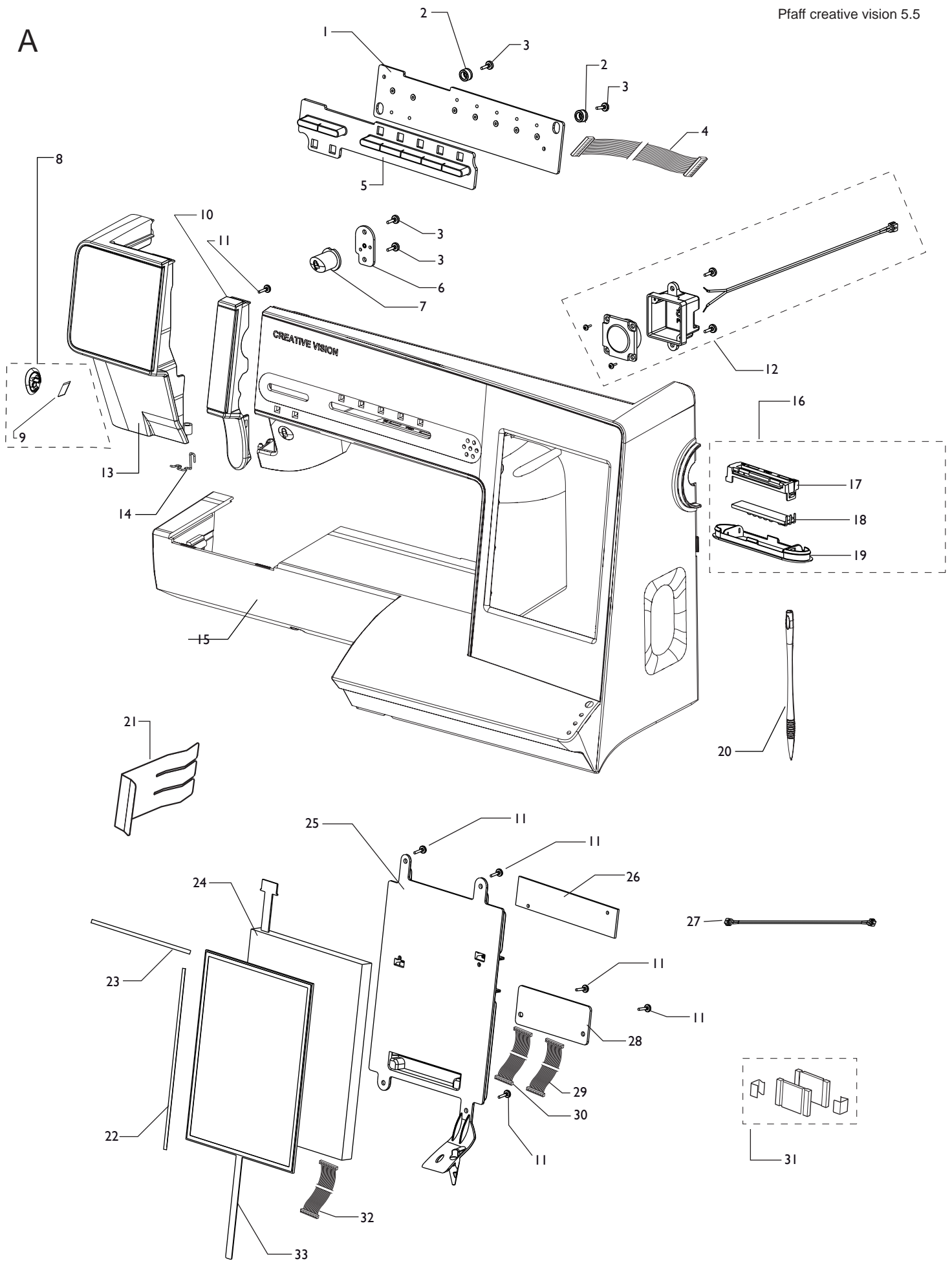
CD

413149396	CD CPL CREATIVE VISION
-----------	------------------------

EMBROIDERY UNIT

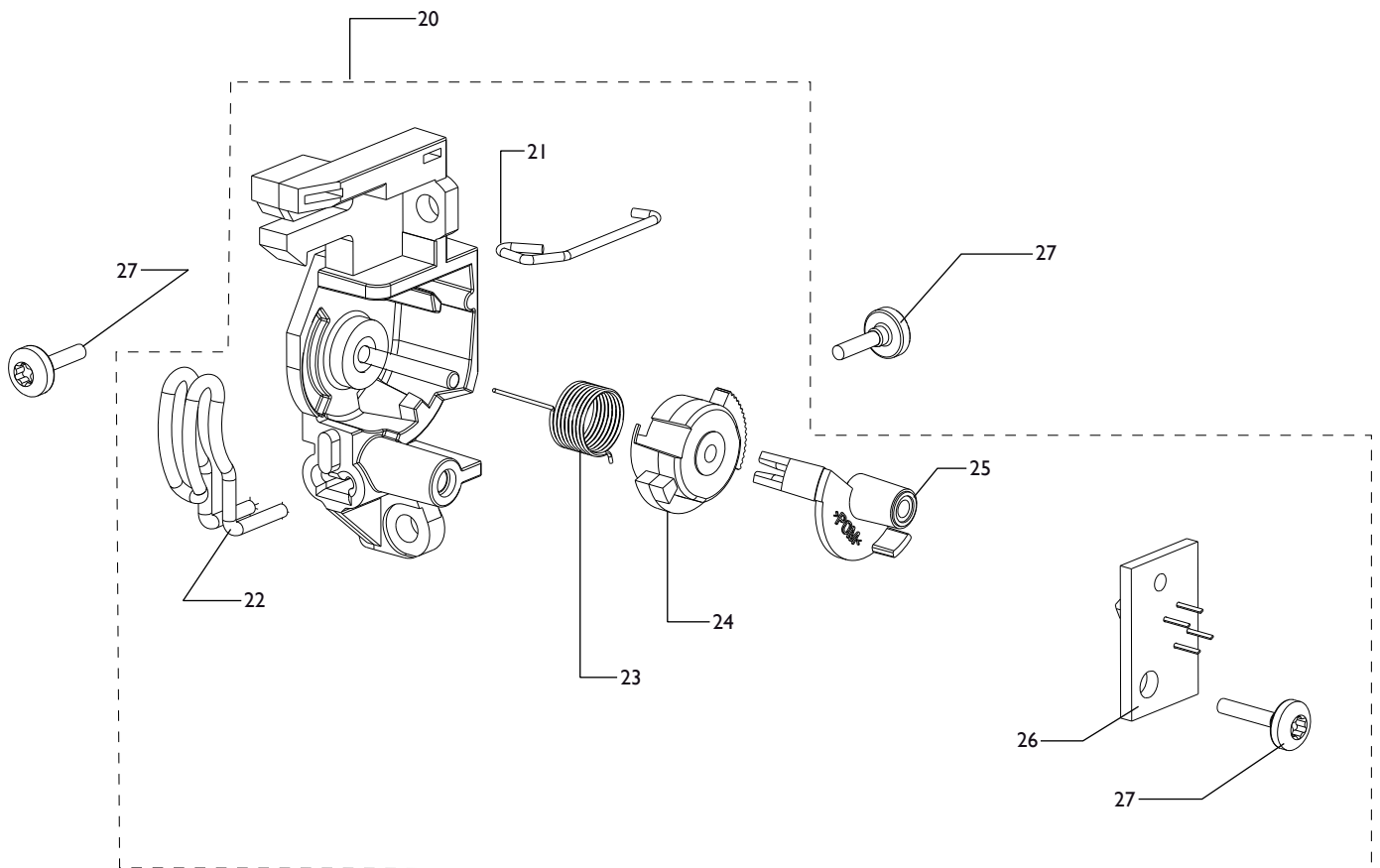
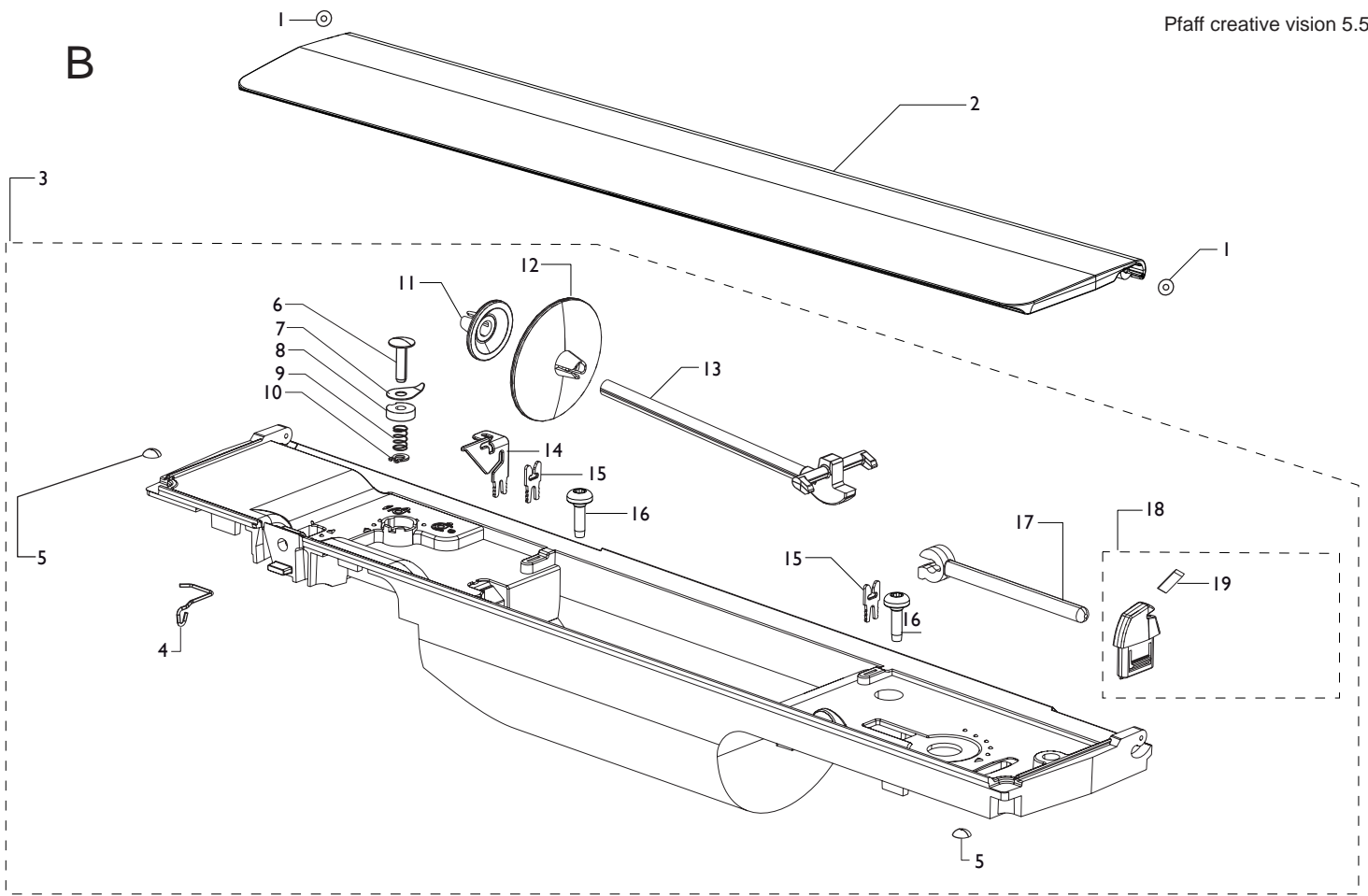
413030101	TRANSPORT LOCKING DEVICE
413125701	LOWER FURNISH E-UNIT
413130901	UPPER FURNISH E-UNIT
413073001	BOX E-UNIT

A



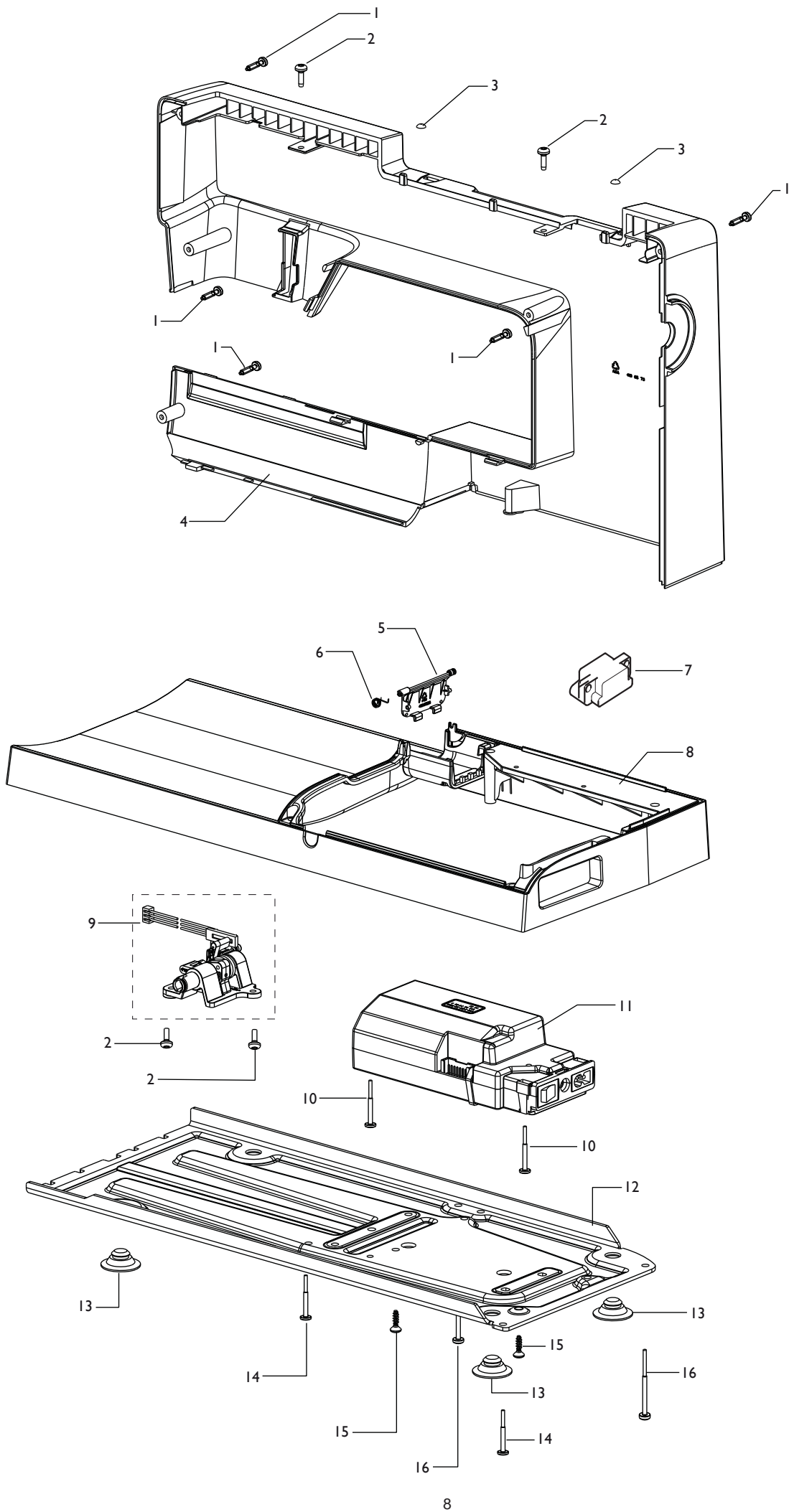
1	413067702	KEYBOARD FRONT
2	413068501	DISTANCE
3	411966801	SCREW PT 30*7,5 FZB TORX
4	412546911	CABLE ASSEMBLY (20P)
5	413068401	KEY SET
6	413067401	BOARD, REVERSE BUTTON
7	413057601	REVERSE BUTTON
8	413066201	THREAD KNIFE CPL.
9	412423701	THREAD CUTTER
10	413054603	GUIDE CPL.
11	411966820	SCREW 30*10 FZB KOMBITORX
12	413050001	LOUD SPEAKER BOX CPL
13	413080501	COVER SEWING HEAD W. FRONT
14	413068801	THREAD GUIDE
15	413065301	FRONT COVER WITH PLEXI FRONT
16	413055901	LED LIGHT CPL.
17	413133001	LED HOLDER C
18	412789701	LED UNIT
19	413055801	LED GLASS
20	412693401	STYLUS BLACK
21	413150401	CONTACT SPRING, GROUND
22	412799122	FRICITION TAPE
23	412799121	FRICITION TAPE
24	413066401	DISPLAY
25	413066302	DISPLAY BRACKET
26	413106501	INVERTER
27	413108701	CABLE, INVERTER
28	413066701	CONNECTOR BOARD, DISPLAY
29	412546914	CABLE ASSEMBLY (14P)
30	412546915	CABLE ASSEMBLY (16P)
31	412914901	FERRITE
32	413105701	CABLE, DISPLAY
33	413066501	TOUCH PANEL, DISPLAY

B



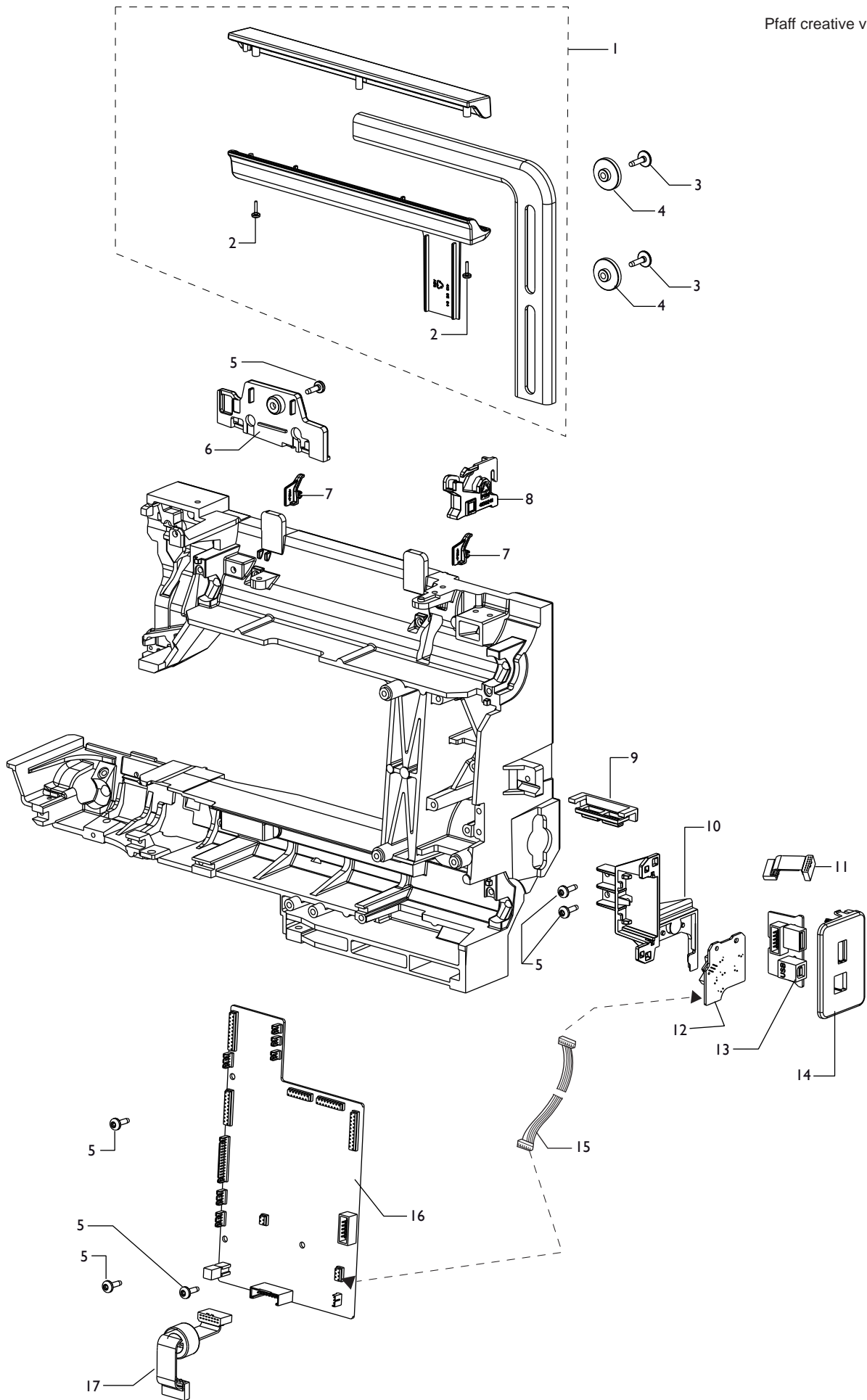
1	413139901	BUSHING
2	413053307	LID CPL.
3	413064706	TOP COVER CPL.
4	413064602	THREAD GUIDE
5	412569701	DAMPER
6	9303017435000	GUIDE PIN
7	9303906805000	THREAD GUIDE, BOBBIN WINDER
8	9303205025000	THREAD GUIDE
9	9304006005000	SPRING
10	1261814045000	RING PN 12618-3,5
11	413051601	SPOOL HOLDER 22 MM
12	413051603	SPOOL HOLDER 45 MM
13	413064501	REEL PIN
14	413190001	THREAD GUIDE CPL.
15	413060201	THREAD GUIDE
16	412056005	SCREW TAPTITE M4*10 TORX
17	412960401	THREAD REEL PIN
18	413022501	COVER THREAD KNIFE CPL.
19	412423701	THREAD CUTTER
20	413004003	THREAD SENSOR CPL.
21	413004501	THREAD CONTROL, THREAD SENSOR
22	412519301	THREAD GUIDE
23	412519202	CHECK SPRING
24	413004301	ADJUSTING SLEEVE
25	413004402	SENSOR THREAD TENSION
26	413017603	THREAD SENSOR ASSEMBLY
27	411966820	SCREW 30*10 FZB KOMBITORX

C



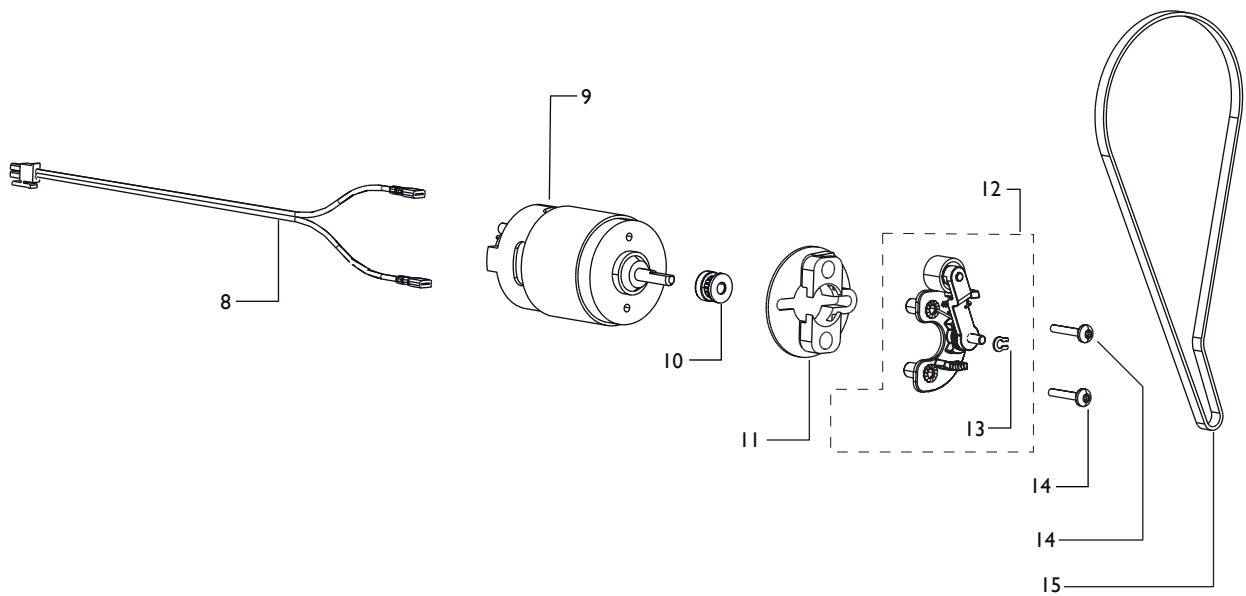
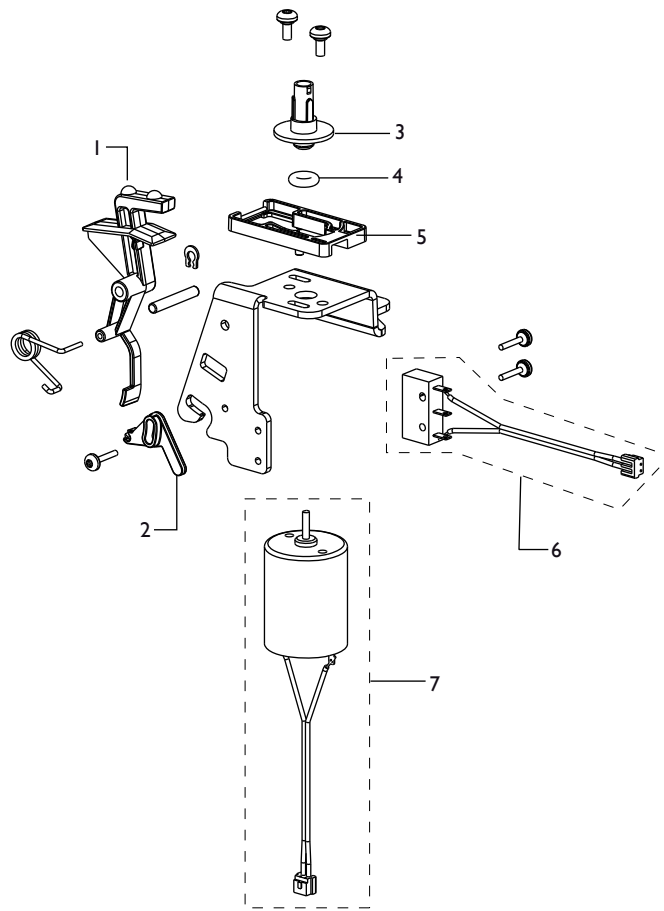
1	411966803	SCREW PT 30*12 FZB TORX
2	412056005	SCREW TAPTITE M4*10 TORX
3	412569701	DAMPER
4	413057301	BACK COVER, PFAFF HIGH
5	413052501	LID, XY UNIT
6	413068601	TORSION SPRING
7	413092602	CABLE ASS. XY SEW. MACHINE
8	413034702	BOTTOM COVER APF, KNEE LIFT
9	413050201	KNEE LIFT CPL.
10	411967107	SCREW PT FS 40*35 FZB TORX
11	413019203	POWER SUPPLY CPL.
12	412954501	BOTTOM PLATE
13	412305001	RUBBER FOOT, BASE PLATE
14	411966812	SCREW PT 40*40 FZB TORX
15	412056001	SCREW TAPTITE M5*14 TORX
16	411966813	SCREW PT 40*50 FZB

D



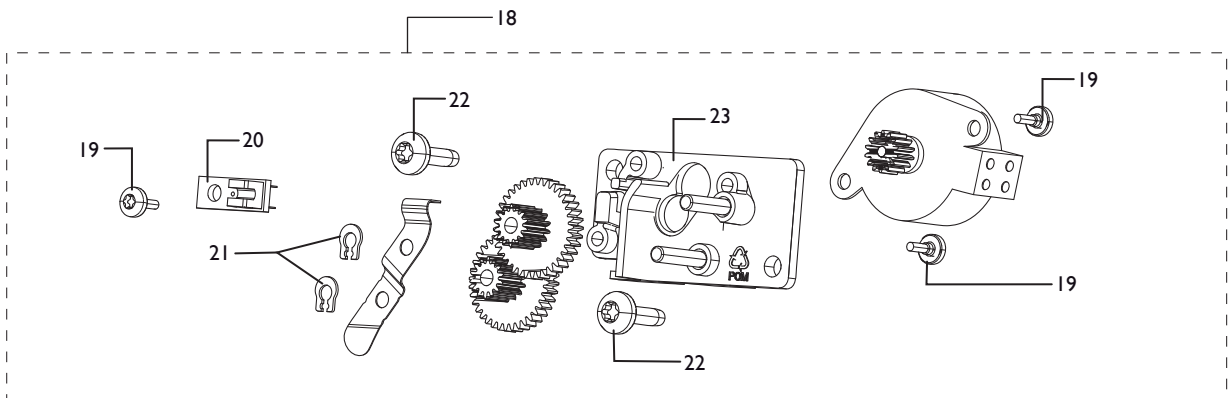
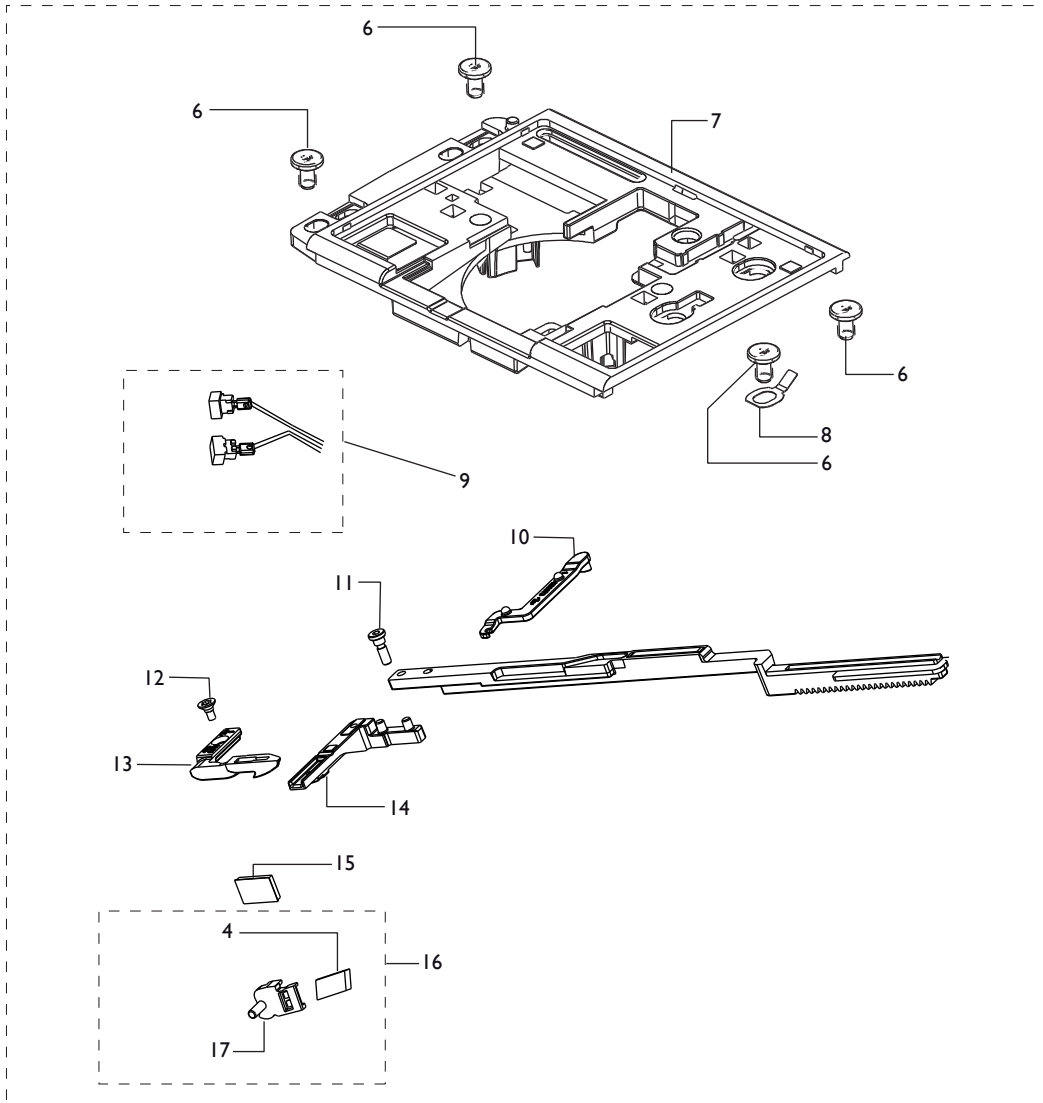
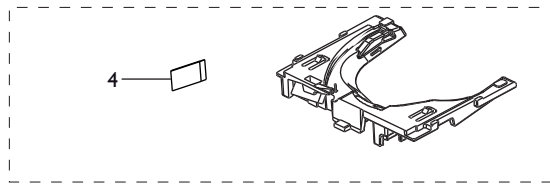
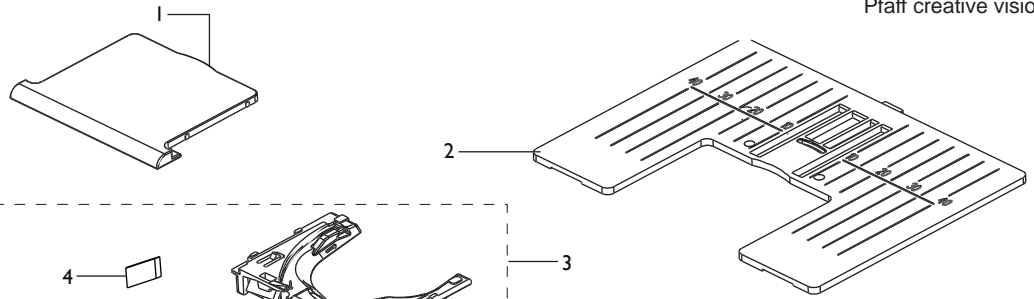
1	413056101	HANDLE PART CPL.
2	411966820	SCREW 30*10 FZB KOMBITORX
3	413169401	COLLAR SCREW TT TORX 4*14
4	413056501	BUSHING, HANDLE
5	412056006	SCREW TAPTITE M4*12 TORX
6	413063901	CABLE SHIELD
7	413024201	CABLE CLAMP
8	413024101	CABLE LOCATOR
9	413075601	CABLE LOCATOR
10	412985501	HOLDER
11	413108801	CABLE USB
12	412986401	SENSOR BOARD ASS.
13	413024401	USB BOARD DUAL CPL.
14	413024601	COVER USB DUAL
15	412546913	CABLE ASSEMBLY (6P)
16	413051845	MAIN PC-BOARD
17	412349704	CABLE TRANSF.-CONTROL BOARD

E



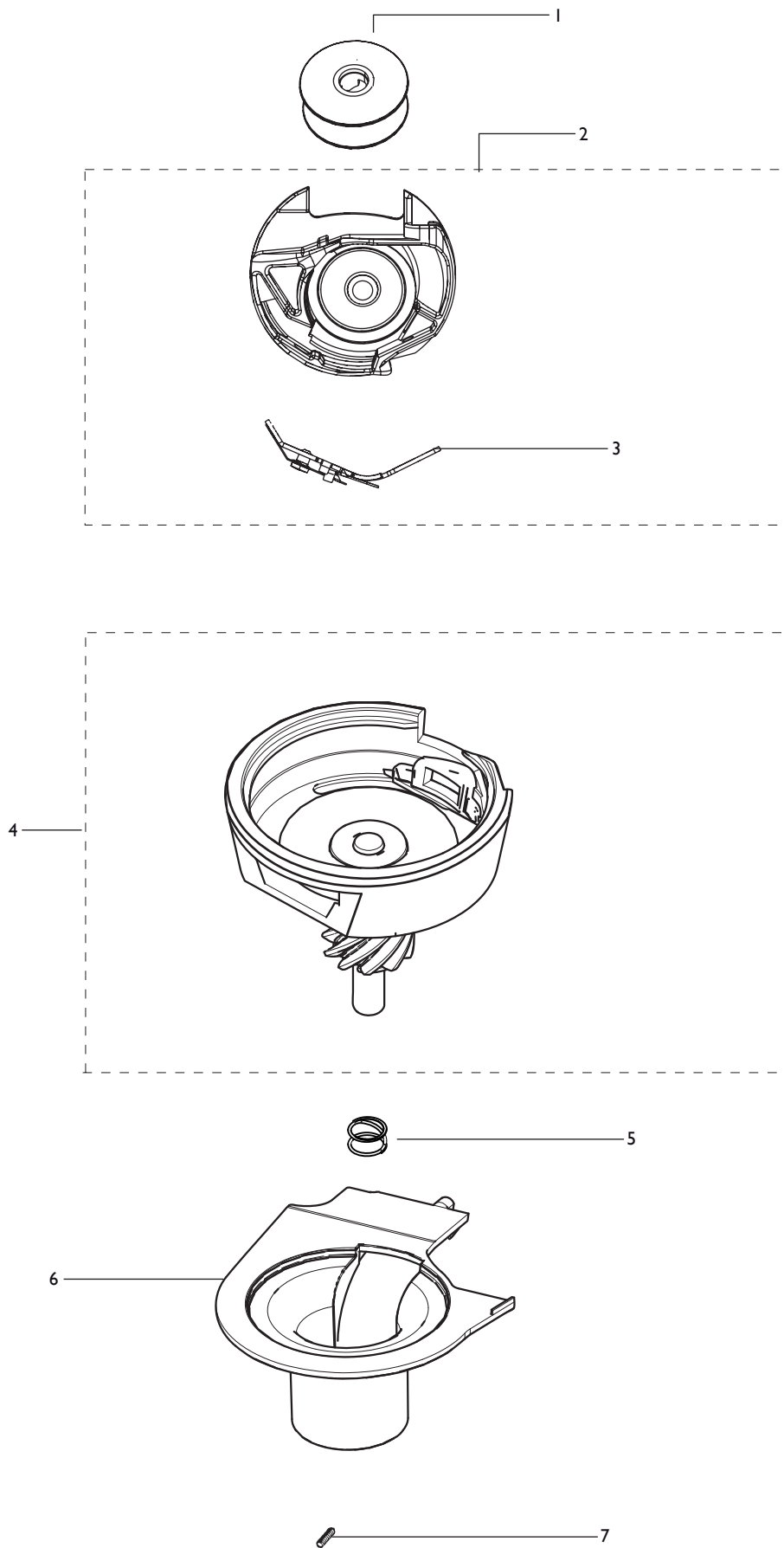
1	413061901	BOBBIN WINDER LEVER
2	413024701	SWITCH LEVER, WINDER
3	413062101	WINDING SHAFT
4	412305502	O-RING
5	413062001	BRAKE LEVER
6	413049102	MICRO SWITCH CPL.
7	413093001	BOBBIN WINDING MOTOR CPL.
8	413056901	CABLE MAIN MOTOR
9	9233011191000	ENGINE DOMEL
10	412353302	DRIVING WHEEL MOTOR
350,400,500		
11	412999902	RUBBER DAMPER
12	412971901	BELT STRETCHER CPL.
13	735613640	COMPRESSION RINGS Ø4
14	412211415	SCREW M4*20 TORX
15	413020201	COG BELT MOTOR

F



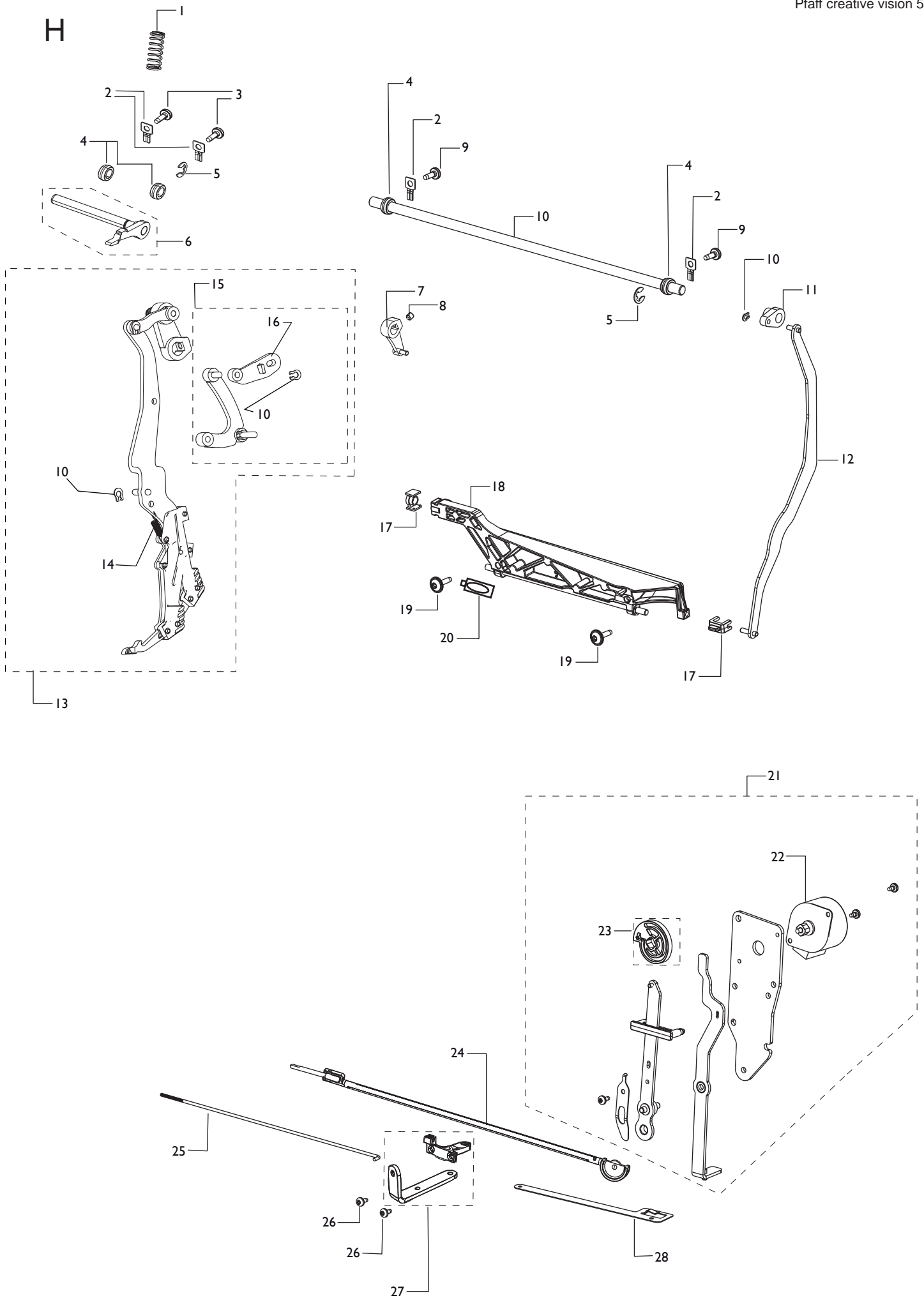
1	412963901	BOBBIN COVER
2	412964305	STITCH PLATE PFAFF INCH/MM
3	413025601	RETAINER
4	412423701	THREAD CUTTER
5	412964002	HOOK COVER CPL.CUT. AND SENS.
6	412287903	SCREW M4*5 FZB
7	412964105	HOOK COVER
8	412997701	ESD SPRING, STITCH PLATE
9	413101502	CABLE ASS. BOBBIN SENSOR
10	413007301	FETCHER UPPER THREAD
11	413010001	GUIDE PIN
12	412280501	SCREW, COUNTERSUNK
13	413007101	FETCHER
14	413072201	CONNECTING PART, FETCHER
15	413116701	THREAD BRAKE
16	413047301	KNIFE HOLDER CPL.
17	413007701	KNIFE HOLDER
18	413007401	STEPPING MOTOR CPL.
19	411966828	SCREW PT 30*6 FZB TORX
20	413072501	CUT SENSOR ASS.
21	735612440	COMPRESSION RINGS Ø3
22	412056006	SCREW TAPTITE M4*12 TORX
23	413007502	MOTOR PLATE CPL.

G

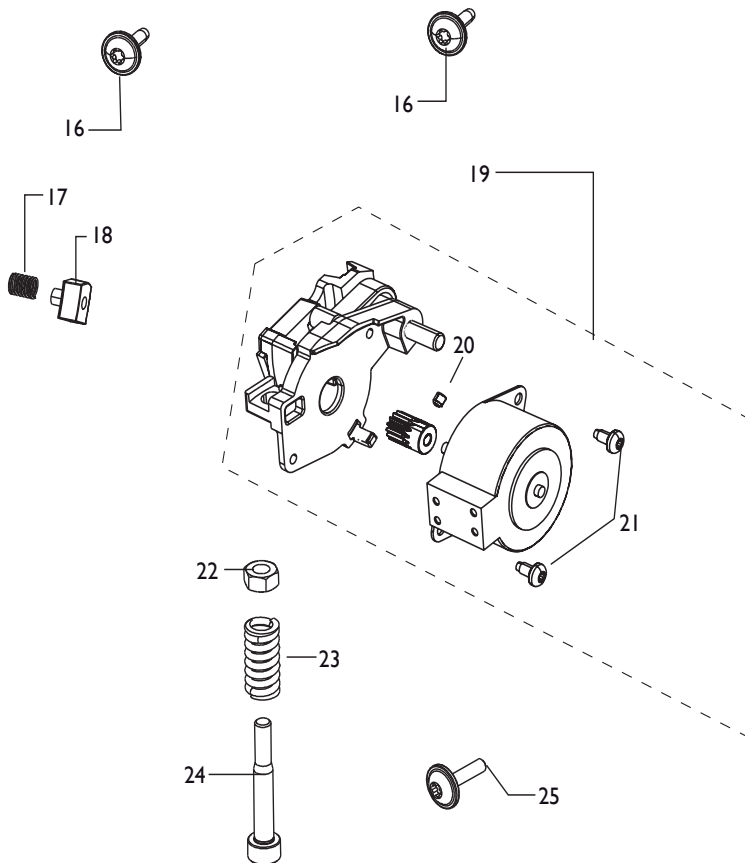
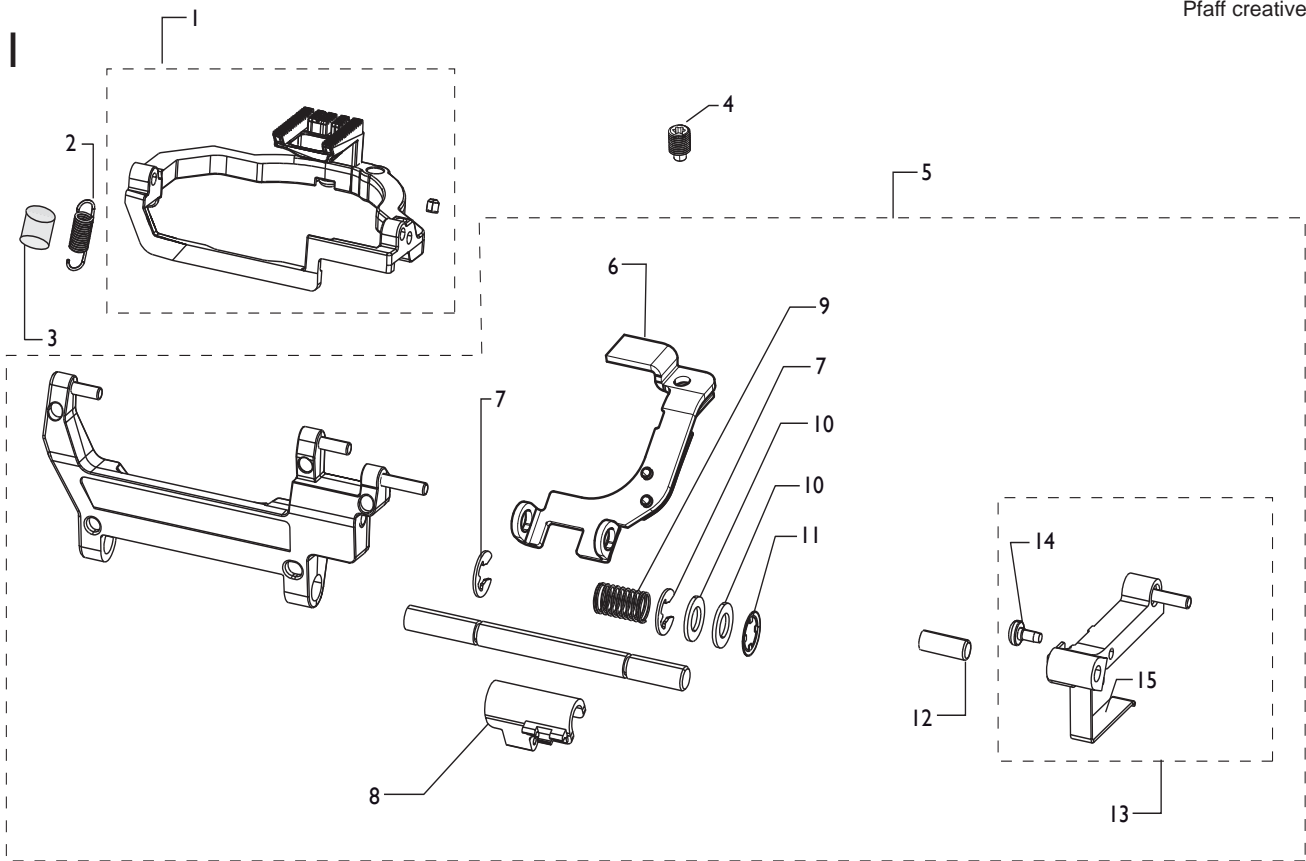


1	820921096	BOBBINS CPL. PF. GREY 10P
2	413058901	BOBBIN CASE CPL.
3	412471601	THREAD TENSION CPL.
4	412876902	HOOK CPL WITH SHAFT
5	412930101	SPRING, HOOK
6	412964502	DUST COVER
7	728528705	SCREW M4*8

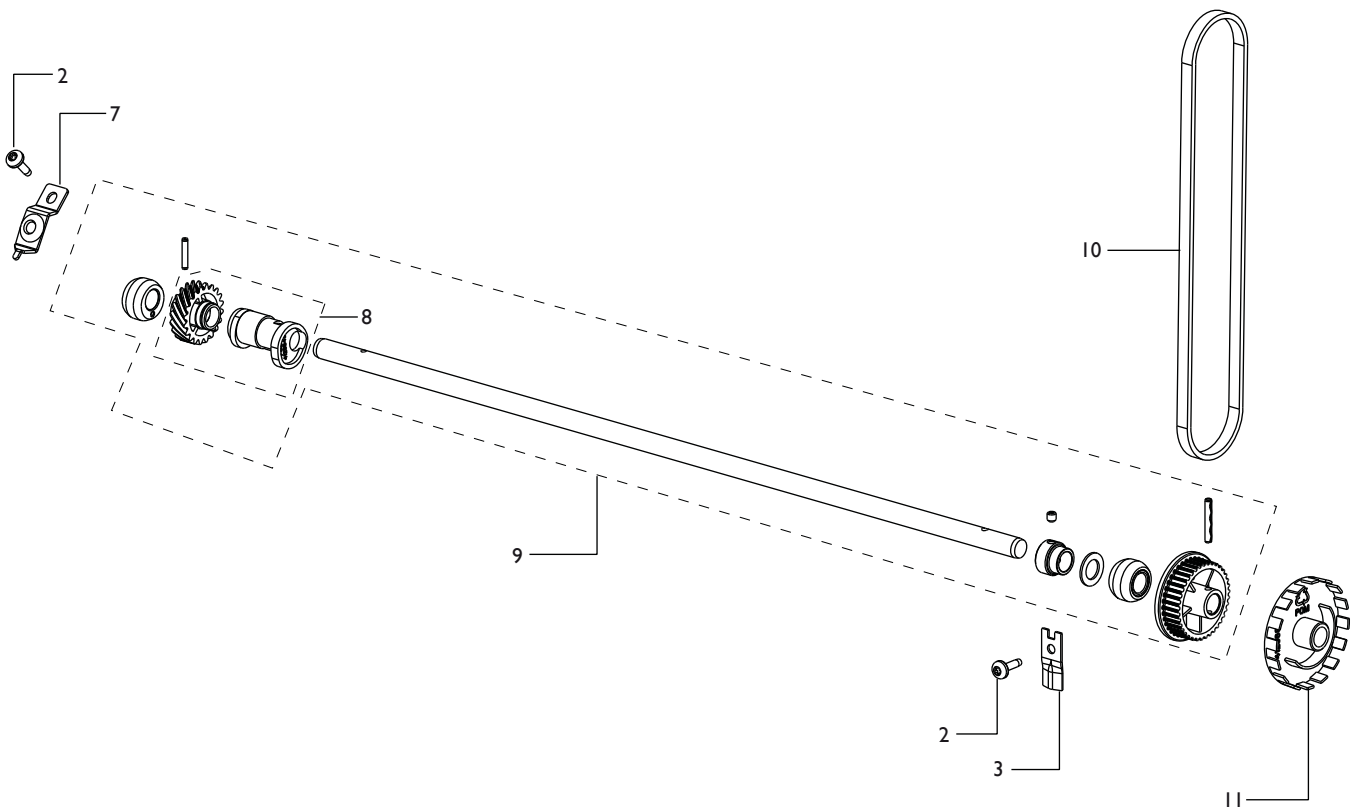
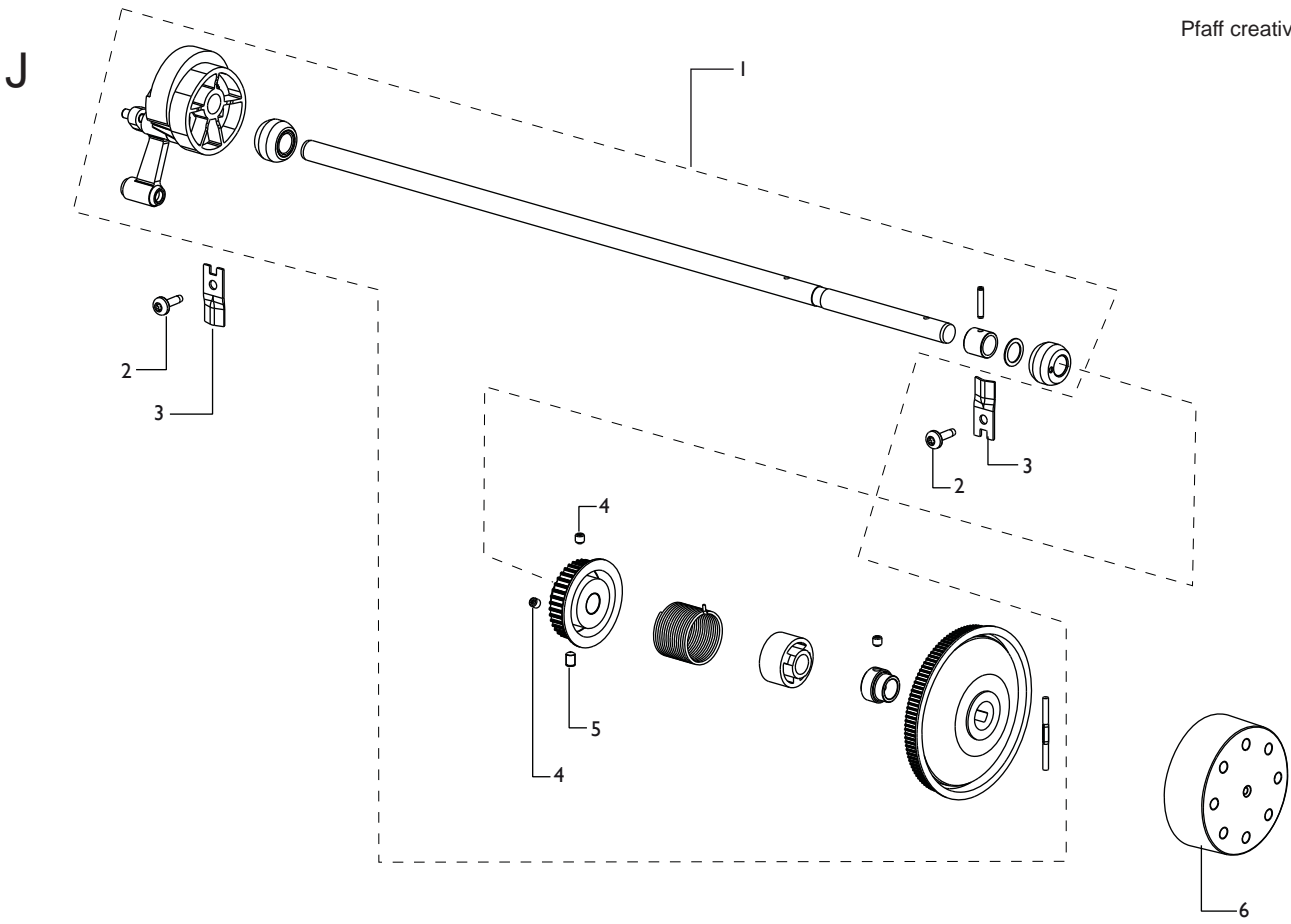
H



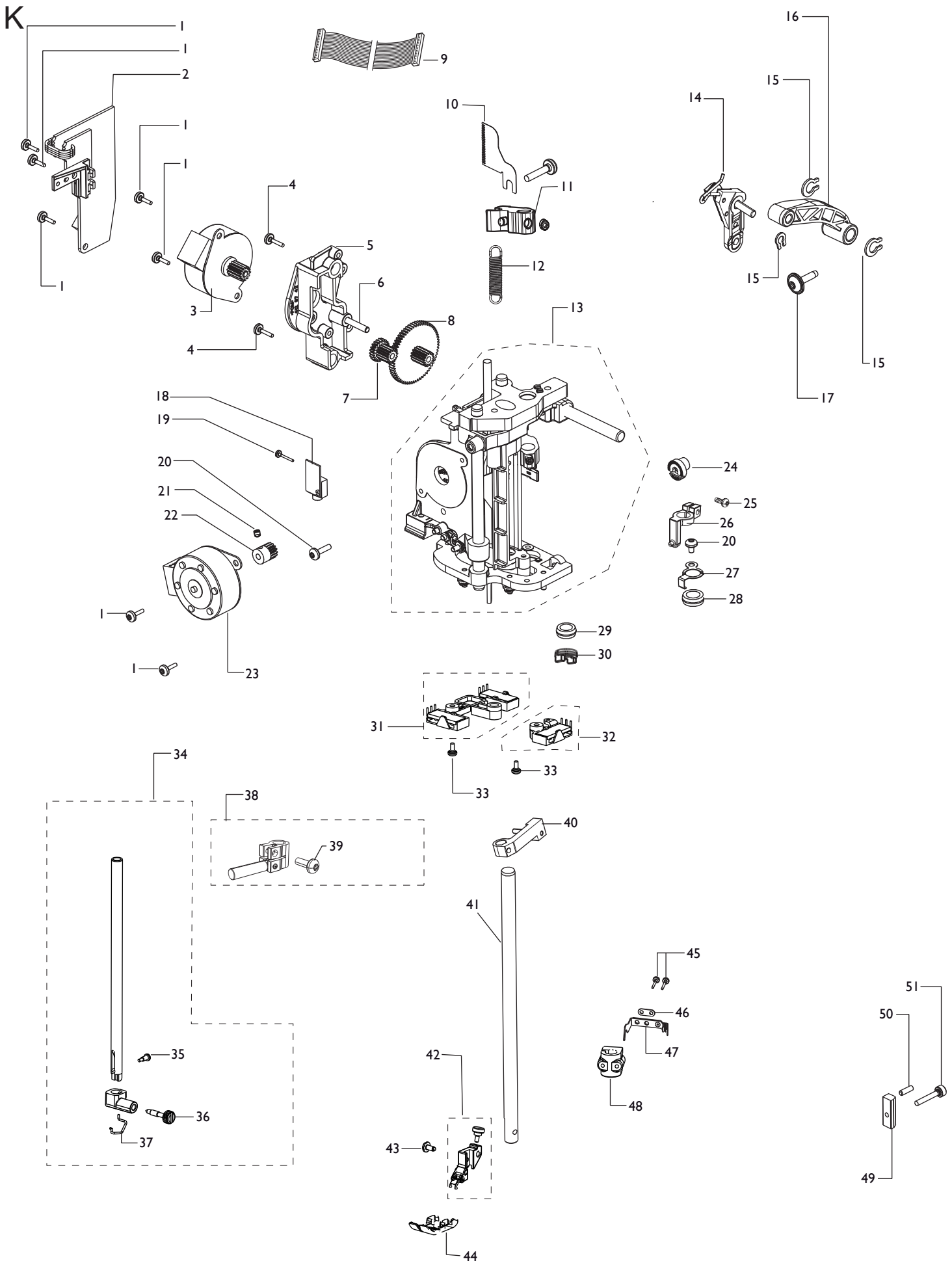
1	413065901	COMPRESSION SPRING, HEIGHT CAM
2	413042901	CLAMP, IDT
3	411966820	SCREW 30*10 FZB KOMBITORX
4	413042601	BEARING, IDT
5	735310920	SNAP RING E-5
6	413065701	HEIGHT SHAFT, IDT CPL.
7	413046201	HEIGHT CRANK, IDT CPL.
8	411968706	SET SCREW FLAT, M4*4 TORX
9	412056005	SCREW TAPTITE M4*10 TORX
10	413042401	SHAFT UPPER, IDT
11	413042501	REAR CRANK, IDT
12	413043001	LINK, IDT, LONG
13	413043201	ARM, IDT CPL.
14	413043101	COMPRESSION SPRING
15	413140801	TOGGLE, LINK, IDT CPL.
16	413043601	LOWER SLEWING BRACKET, IDT
17	413042201	FEEDER BEARING, IDT
18	413041901	CONNECTOR FEEDER, IDT
19	413169401	COLLAR SCREW TT TORX 4*14
20	413140701	CLAMP SHAFT, IDT
21	413060001	SIDE FEED, FEED DOG FROP CPL.
22	412997902	STEPPING MOTOR, SIDE FEED
23	413060101	CAM WHEEL CPL.
24	413033701	PULL ROD, SIDE FEED CPL.
25	413034101	PULL WIRE, FEED DOG DROP
26	411967212	SCREW TAPTITE FS M4*12 TORX
27	413034501	LINKAGE UNIT, FEED DROP
28	413033401	TRANSM LINKAGE, FEED DOG DROP



1	413201303	FEED DOG CPL.
2	413270001	TENSION SPRING, FRAME FEED DOG
3	413112601	BUFFER
4	413201201	ADJUSTMENT SCREW, FEEDER
5	413269015	CARRIGE FEED CPL.
6	413200901	LEVER FEED LIFT CPL.
7	735310920	SNAP RING E-5
8	413034201	INSERT, LEVER FEDD LIFT
9	412962501	SPRING, FEED DOG LOWERING
10	412829101	WASHER, LOWER SHAFT
11	412368001	LOCK WASHER
12	412316023	INA PIN NRB 4*19,8 0-2 UM
13	412961602	LINK, CARRIAGE FEED CPL
14	412056004	SCREW TAPTITE M3*6 TORX
15	412961501	SPRING, FEED
16	413169401	COLLAR SCREW TT TORX 4*14
17	412961701	SPRING, SLIDING BLOCK
18	412961801	BLOCK, GUIDE
19	412963501	STEPPING MOTOR UNIT, FEED
20	411968703	SET SCREW FLAT, M3*3 TORX
21	412056011	SCREW TAPTITE M3*5 TORX
22	413025401	NUT M5*0,5
23	412963601	SPRING
24	412963701	SCREW BALANCE ADJUSTMENT
25	413034401	SCREW M4*14

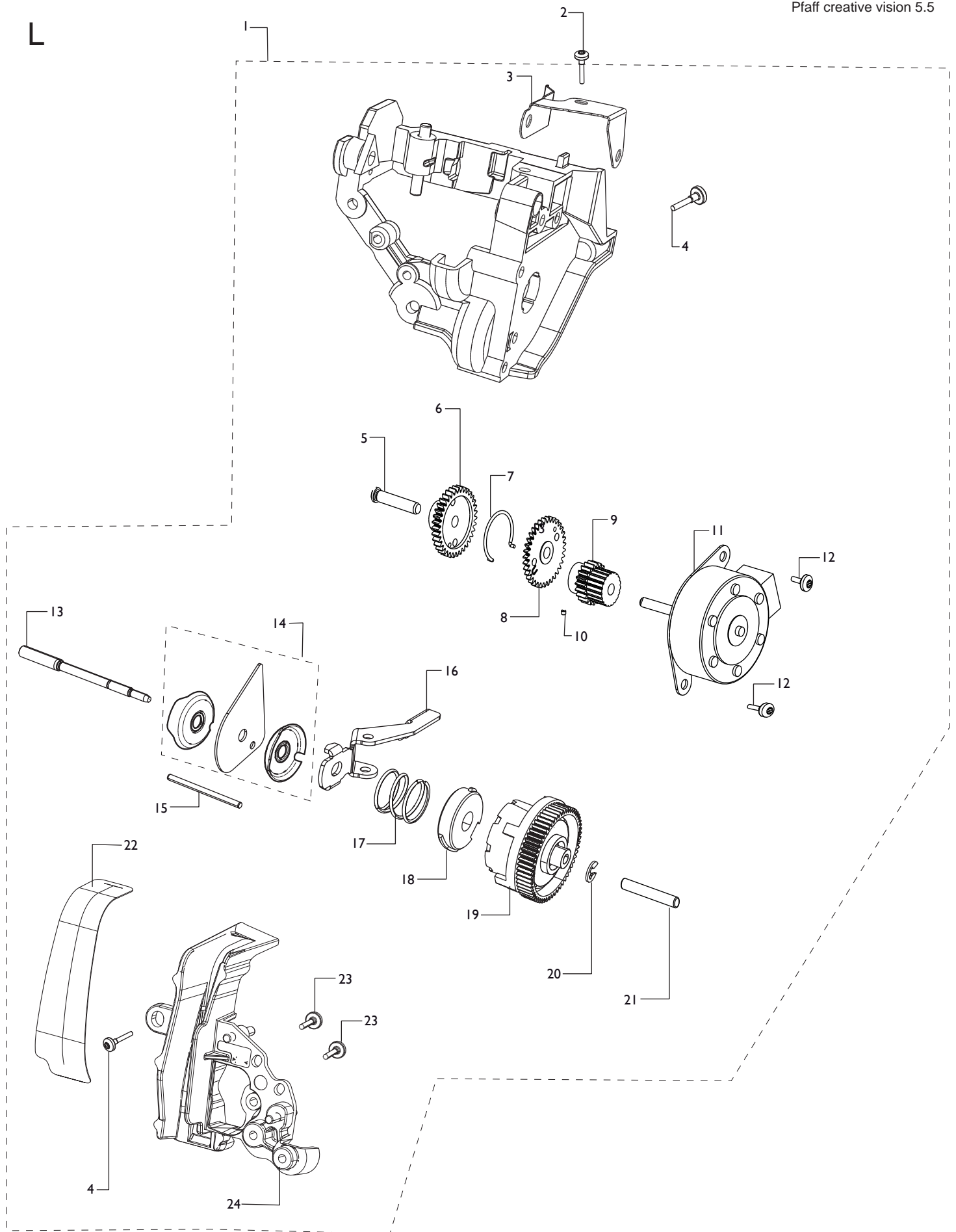


1	412966707	UPPER SHAFT CPL.
2	412056006	SCREW TAPTITE M4*12 TORX
3	412328401	CLAMP
4	411968706	SET SCREW FLAT, M4*4 TORX
5	411968807	SET SCREW POINTED M4*6 TORX
6	413040301	HAND WHEEL
7	412318101	CLAMP LOWER SHAFT
8	412964402	ECCENTRIC FEED CPL.
9	412967902	LOWER SHAFT CPL.
10	413020301	COG BELT UPPER-LOWER SHAFT
11	412968101	SHIELD, REVOLUTION INDICATOR



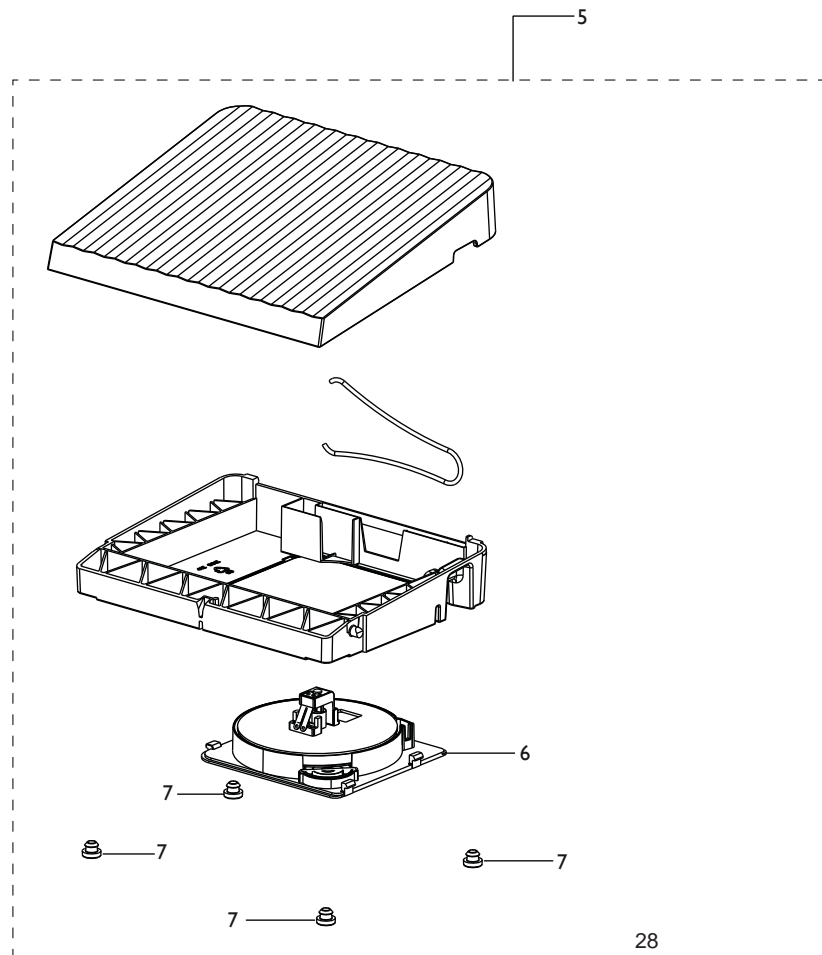
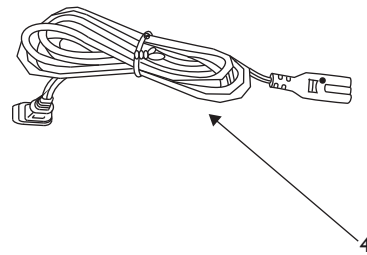
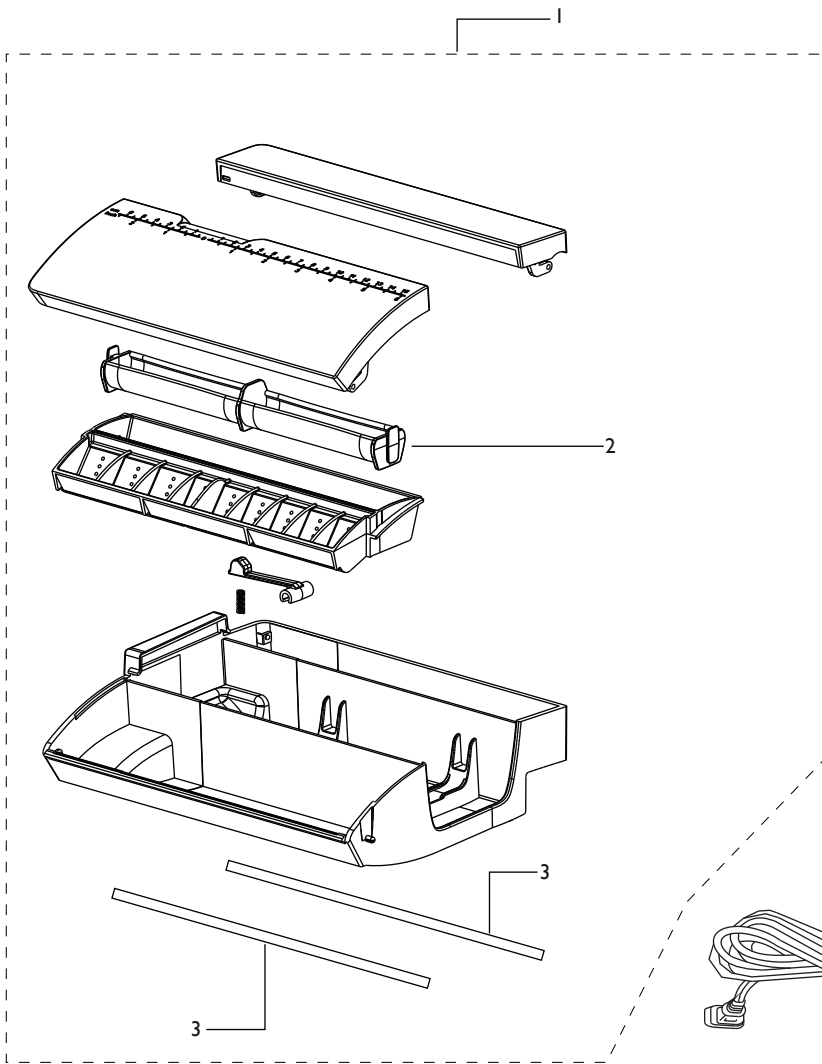
1	411966801	SCREW PT 30*7,5 FZB TORX
2	413067003	CONNECTING BOARD SERVO SENS.
3	413005901	STEPPING MOTOR CPL.
4	411966820	SCREW 30*10 FZB KOMBITORX
5	412974201	GEAR HOUSE, SERVO
6	412316010	INA PIN NRB 3*17,8 0-3UM
7	412974301	GEAR WHEEL, SERVO PRIM.
8	412974401	GEAR WHEEL, SERVO SEC.
9	412546912	CABLE ASSEMBLY (18P)
10	412973901	SHIELD, PRESSER FOOT SERVO
11	413261601	GUIDE, SERVO CPL.
12	413137602	SPRING, PRESSER FOOT PRESSURE
13	413244201	SEWING HEAD CPL.
14	413300302	TAKE UP LEVER
15	735615340	COMPRESSION RINGS Ø6
16	413047401	LINK
17	412281902	SCREW FLANGE M4*14 TT TORX
18	413031001	BUTTONSENS. CONN. ASS.
19	411966821	SCREW PT 18*10 FZB TORX
20	412211404	SCREW M3*10 TORX
21	411968703	SET SCREW FLAT, M3*3 TORX
22	413057201	GEAR, Z-Z
23	412993901	STEPPING MOTOR
24	412966501	CALIBRATION KNOB
25	413019001	SCREW K 30*8 PT WN 1452 S
26	412993501	STROKE LIMITER
27	413060301	CLIPS, GABLE LOWER
28	412500601	BEARING
29	412501501	BEARING 10/6,35-4
30	412504701	LOCKING DEVICE
31	413040202	LED HOLDER CPL LEFT
32	413040102	LED HOLDER CPL RIGHT
33	412211402	SCREW M3*6 TORX
34	413094303	NEEDLE BAR CPL.
35	413094701	SCREW THREAD GUIDE
36	413094801	NEEDLE SCREW
37	413094602	THREAD GUIDE
38	412993603	CROSS HEAD
39	412280504	SCREW FS M3*10 FZB TORX
40	413045801	PRESSER BAR GUIDE SERVO, IDT
41	412285403	PRESSER BAR AVANTI
42	413039201	HOLDER PRESSER FOOT CPL.
43	413040401	SCREW HOLDER PRESSER FOOT
44	820773096	STANDARD PRESSER W. IDT
45	411966825	SCREW PT 16*8 FZB TORX
46	412876701	WASHER, NEEDLE THREADER
47	413238402	NEEDLE THREADER
48	413053601	HOLDER, NEEDLE THREADER
49	412966601	WEDGE
50	728522205	SOCKET SET SCREW FLAT POINT
51	725522805	SCREW M3*16 INSEX

L

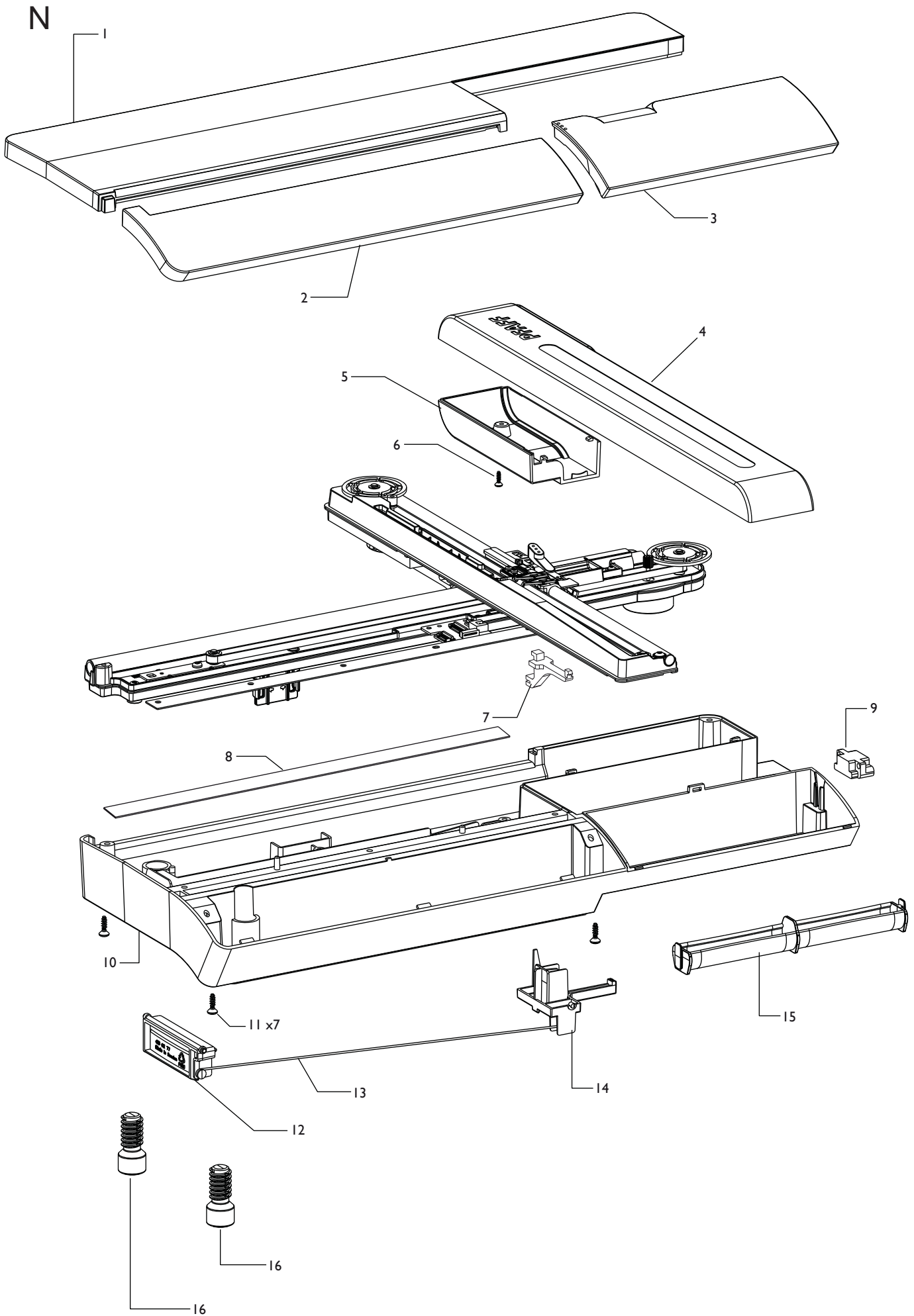


1	412940203	THREAD TENSION ASS.
2	411966803	SCREW PT 30*12 FZB TORX
3	412940602	CONTACT SPRING
4	411966807	SCREW PT 40*10 FZB TORX
5	413056002	SHAFT, THREAD TENSION
6	413059101	INTERMEDIATE GEAR, FIXED
7	412442801	SPRING GEAR WHEEL
8	413059202	INTERMEDIATE GEAR, MOVABLE
9	412742401	GEAR-FIXED
10	411968703	SET SCREW FLAT, M3*3 TORX
11	412993903	STEPPING MOTOR
12	411966828	SCREW PT 30*6 FZB TORX
13	412940101	SHAFT, THREAD TENSION
14	413106402	THREAD DISK KIT
15	413113201	PIN
16	412940501	RELEASE LEVER, THREAD TENSION
17	413159501	COMPRESSION SPRING, THREAD TENSION
18	412741701	NUT THREAD TENSION
19	412940404	HOUSING THREAD TENSION
20	735310620	LOCK WASHER 2,3
21	412316060	INA PIN NRB 3*23,8 0-2UM
22	413218502	SEALING, TAKE UP LEVER
23	411966820	SCREW 30*10 FZB KOMBITORX
24	413232201	SHIELD, TAKE UP LEVER, ASS.

M

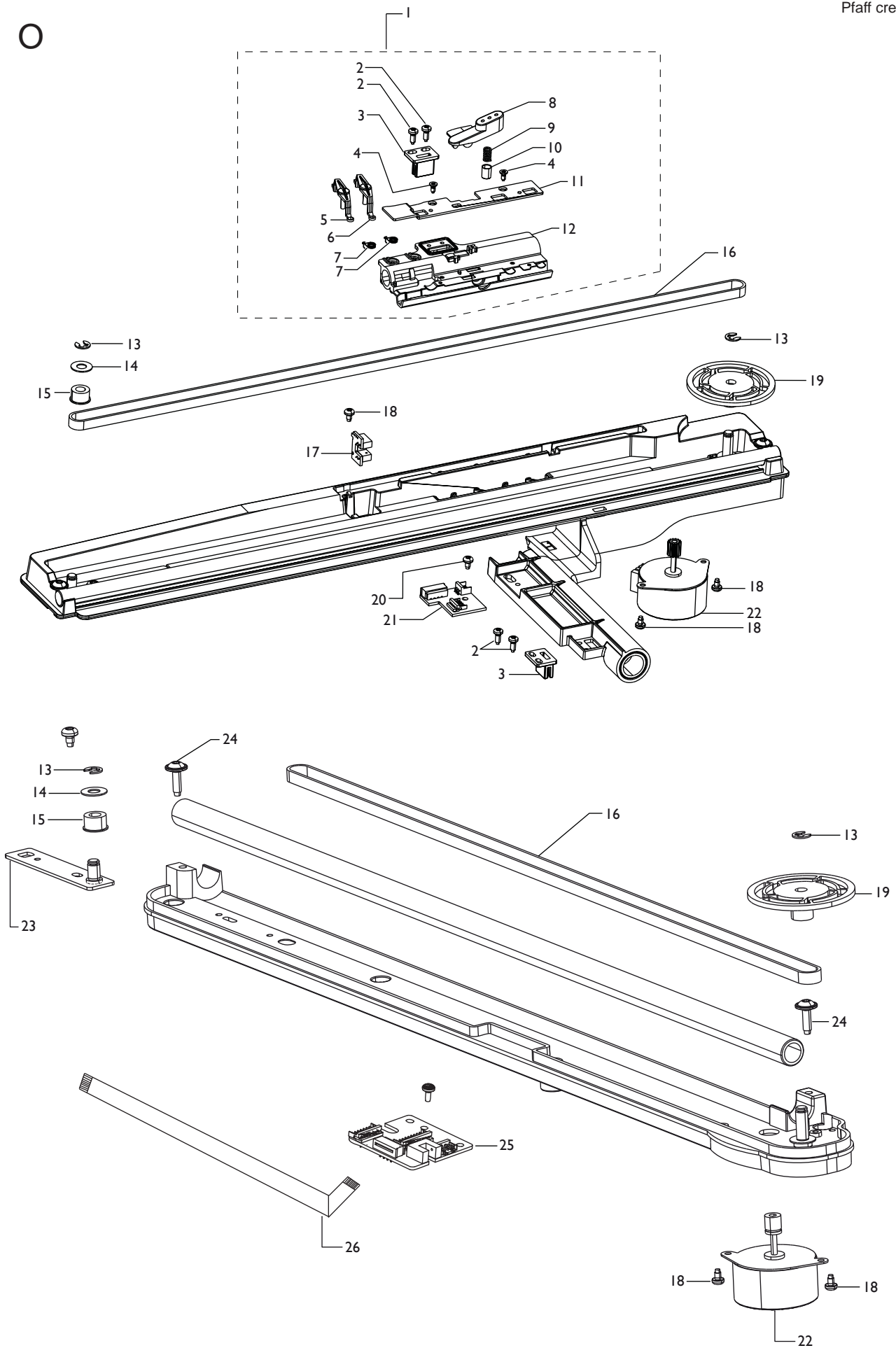


1	413083903	ACCESS.BOX CPL. W. SPOOL HOLD.
2	412737401	BOBBIN HOLDER
3	412529702	FRICTION TAPE
4	412157801	NET CABLE 220V
	412157902	NET CABLE 120V JP
	412157903	NET CABLE 120V
	412158002	NET CABLE GB
	412158101	NET CABLE AU
5	412991403	FOOT CONTR. CPL. GREY W. WIND
6	412493002	CONTROL UNIT WITH WINDER
7	412184501	FOOT
8	413071901	COVER CPL.



1	413028201	COVER TOP XY-UNIT
2	413028301	COVER, XY-UNIT
3	413028401	LID, XY-UNIT
4	413027901	COVER Y-ARM
5	413028001	MOTOR COVER Y-ARM
6	412056012	SCREW TAPTITE M4*6 TORX
7	413027501	SUPPORT ARM, Y-ARM
8	413028701	GUIDE, SUPPORT ARM
9	413028801	CABLING,XY-UNIT CPL.
10	413028101	COVER BOTTOM XY-UNIT GREY
11	411966807	SCREW PT 40*10 FZB TORX
12	413027701	HANDLE LATCH
13	413027804	CONNECTING ROD, LATCH
14	413027601	LATCH
15	412737401	BOBBIN HOLDER
16	413028501	FOOT, XY-UNIT CPL.

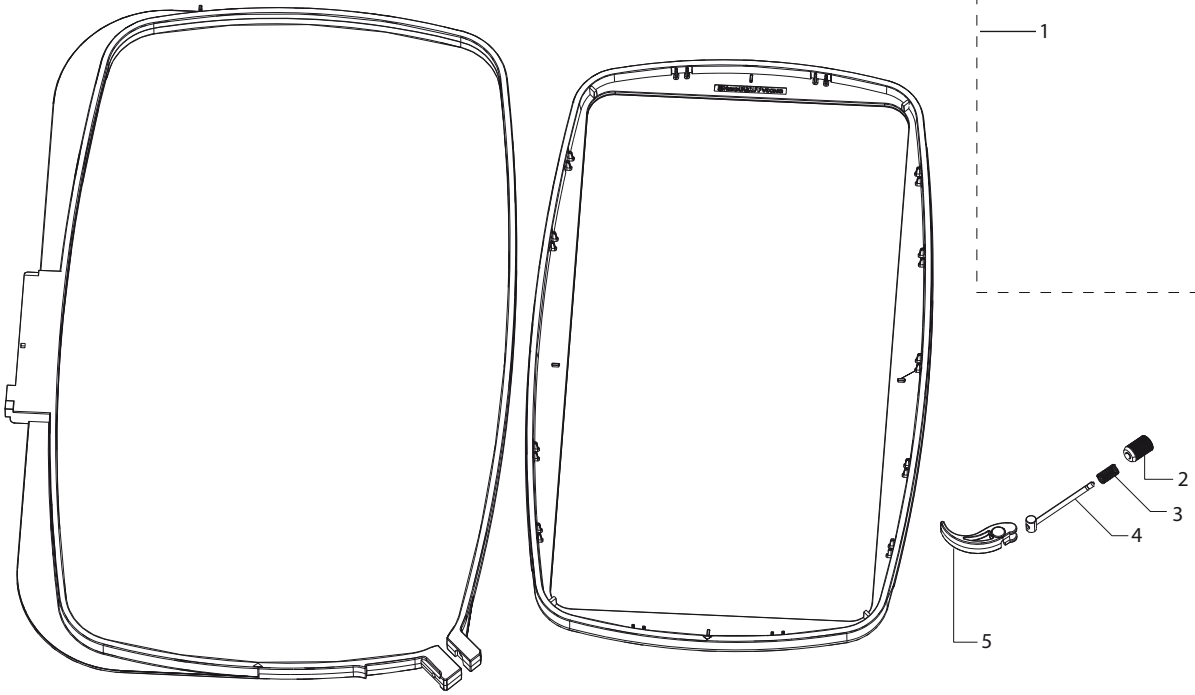
O



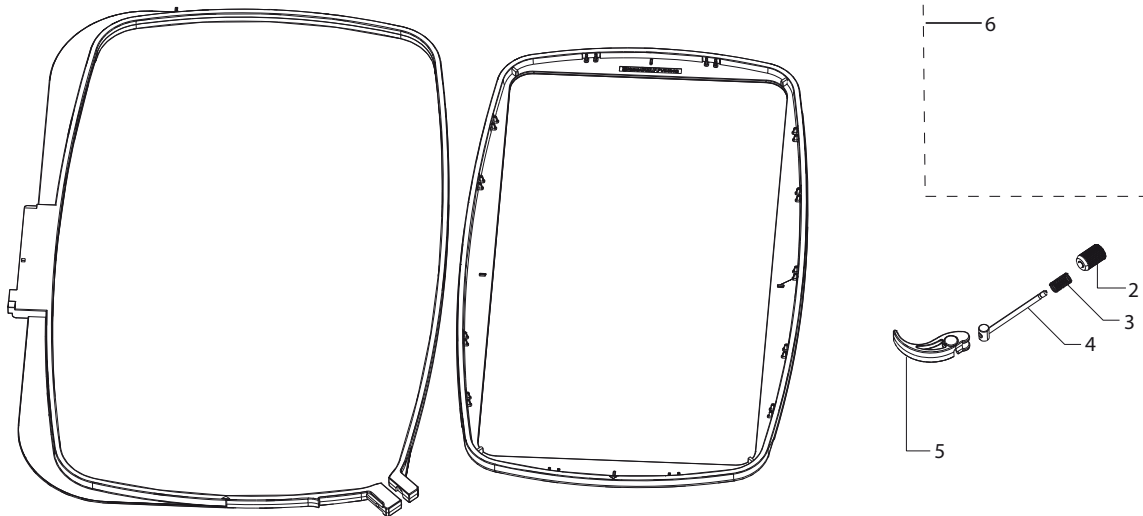
1	413026701	Y-SLED CPL.
2	411966801	SCREW PT 30*7,5 FZB TORX
3	412525301	HOLDER BELT
4	411967306	SCREW PT FS 25*6 OXSV TORX
5	412749801	SENSOR, EMBROIDERY FRAME
6	412525402	SENSOR EMBROIDERY FRAME
7	412555701	SPRING
8	413030201	LOCKING ARM Y-SLED
9	412526601	SPRING
10	412590003	SLEEVE
11	413026901	PANEL Y-SLED CPL.
12	413026801	Y-SLED
13	735310820	LOCK WASHER 4
14	412384301	WASHER 6/13*0,6
15	412384202	COG WHEEL
16	413027201	SYNCHRONOUS BELT XY-UNIT
17	413029601	BOARD, HOOP DETECTION CPL.
18	412056011	SCREW TAPTITE M3*5 TORX
19	412524601	GEAR WHEEL
20	412056001	SCREW TAPTITE M5*14 TORX
21	413029301	BOARD, Y-ARM CPL.
22	413029901	STEPPER MOTOR XY-UNIT CPL.
23	412524901	PLATE, BELT TENSION CPL.
24	413169401	COLLAR SCREW TT TORX 4*14
25	413029001	BOARD, XY-UNIT CPL 360*350
26	412388106	FLEX CABLE



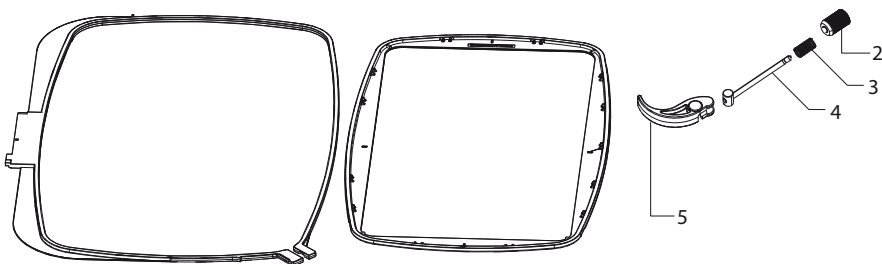
P 360x200



240x150



120x120



1	412944502	EMBROIDERY FRAME CPL. 360*200
2	412996501	NUT EMBROIDERY FRAME
3	412620701	SPRING, EMBROIDERY HOOP
4	412956204	SCREW CPL, HOOP
5	412984701	LOCKING HANDLE EMBROIDERY HOOP
6	412968502	EMBROIDERY FRAME CPL. 240*150
7	412968202	EMBROIDERY FRAME CPL. 120*115