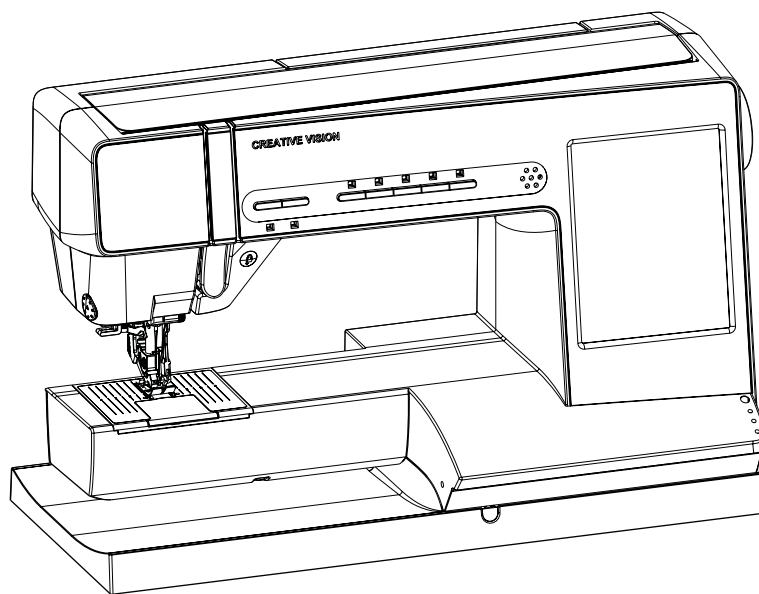


PFAFF®

creative vision 5.0

Parts list



Nicht nummerierte Teile im Katalog werden nicht geliefert.

The parts mentioned without number in the parts list are not available.

Les pièces qui ne sont pas numérotées dans la liste de pièces détachées ne peuvent être livrées.

Bei Bestellung von Ersatzteilen muss die Modell-Nr. der Maschine, die Seitenzahl des Kataloges und die Teilenummer angegeben werden.

Prière d'indiquer dans vos commandes de pièces de rechange, le numéro de la machine, le numéro de la page dans la liste des pièces détachées, ainsi que les numéros des pièces commandées.

When ordering spare parts, please state the model number, the page number in the catalogue of spare parts and the number of the parts called for.



Please note that on disposal, this product must be safely recycled in accordance with relevant National legislation relating to electrical/electronic products. If in doubt please contact your retailer for guidance.



Bitte beachten Sie, dass hinsichtlich der Entsorgung dieses Produkts, vorschriftsmäßig entsprechend der gültigen nationalen Gesetzgebung für elektrische/elektronische Produkte, recycelt werden muss. Bei Zweifel setzen Sie sich bitte mit Ihrem Fachhändler in Verbindung.



Veuillez noter qu'en cas de destruction, ce produit doit bénéficier d'un recyclage sécurisé, conforme à la législation nationale applicable aux produits électriques/électroniques. En cas de doute, veuillez contacter votre distributeur agréé.

- All casted parts within our products are marked with name of material if allowed by size.
- All molded plastic parts within our products are marked with name of material if allowed by size.

Pfaff creative vision 5.0
STANDARD ACCESSORIES

| | |
|-----------|--|
| 413021604 | STD. ACCESSORIES CPL |
| 401555501 | BRUSH |
| 412381501 | SCREWDRIVER MEDIUM |
| 401539901 | SEAM RIPPER |
| 413105601 | CLEARANCE PLATE |
| 820921096 | BOBBINS CPL PF,GREY 10-P |
| 412610701 | FELT PAD |
| 412868301 | UNIV. NEEDLE 70/80/90, 5-P |
| 412397701 | THREAD NET 15*100 |
| 413051602 | SPOOL HOLDER 35MM |
| 413051603 | SPOOL HOLDER 45MM |
| 820251096 | EDGE GUIDE/QUILTING GUIDE |
| 413109701 | KNEE LIFT CPL |
| 412693401 | STYLUS,BLACK |
| 413095708 | USB MEMORY 1 GB PFAFF |
| 412625901 | USB CABLE WITHOUT FERRITCORE - USA/CAN VERSION |
| 412625904 | CABLE USB (FERRITE) |
| 820774096 | PRESSER FOOT 1A FANCY STITCH FOOT W IDT |
| 413060501 | PRESSER FOOT 2A FANCY STITCH FOOT |
| 820256096 | PRESSER FOOT 3 BLINDHEM/OVERLOCK FOOT W IDT |
| 820248096 | PRESSER FOOT 4 ZIPPER FOOT W.IDT |
| 820672096 | PRESSER FOOT 5M MAN. BUTTONHOLE FOOT |
| 820671096 | PRESSER FOOT 6A EMBR/SENSOMATIC FREE-MOTION |
| 820249096 | PRESSER FOOT 7 ROLLED HEM FOOT 3 MM WITH IDT |
| 820778096 | PRESSER FOOT 8 MAXI STITCH FOOT |
| 413170301 | PRESSER FOOT 5A SENSORMATIC BUTTONHOLE FOOT |

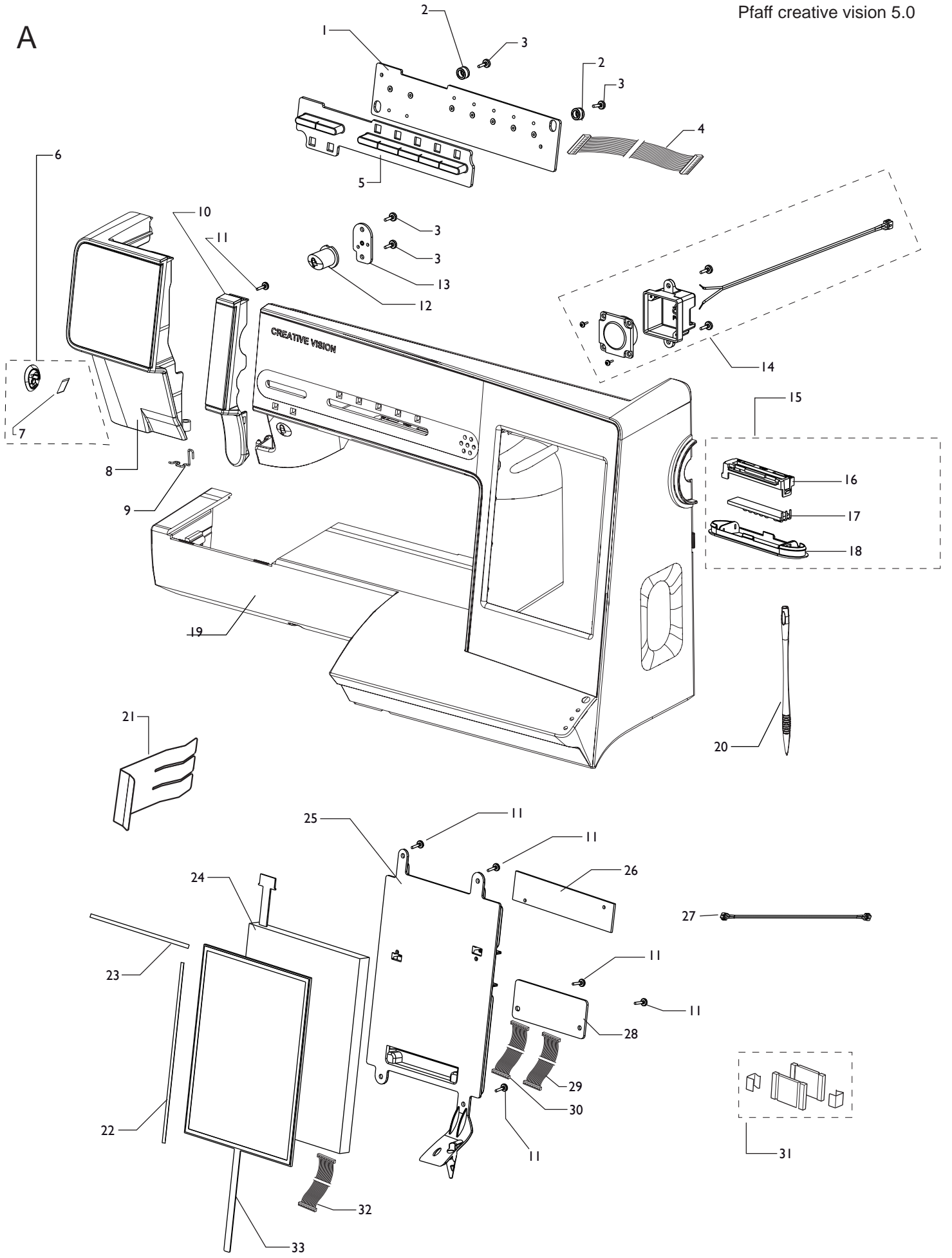
USER GUIDE

| | |
|-----------|--------------------------------------|
| 413069101 | CREATIVE VISION 5.5 USERS GUIDE, SWE |
| 413069106 | CREATIVE VISION 5.5 USERS GUIDE, DEN |
| 413069111 | CREATIVE VISION 5.5 USERS GUIDE, FIN |
| 413069121 | CREATIVE VISION 5.5 USERS GUIDE, NOR |
| 413239226 | CREATIVE VISION 5.5 USERS GUIDE, ENG |
| 413069131 | CREATIVE VISION 5.5 USERS GUIDE, FRA |
| 413069136 | CREATIVE VISION 5.5 USERS GUIDE, HOL |
| 413069141 | CREATIVE VISION 5.5 USERS GUIDE, ITA |
| 413069146 | CREATIVE VISION 5.5 USERS GUIDE, SPA |
| 413191351 | CREATIVE VISION 5.5 USERS GUIDE, GER |
| 413069156 | CREATIVE VISION 5.5 USERS GUIDE, RUS |

CD

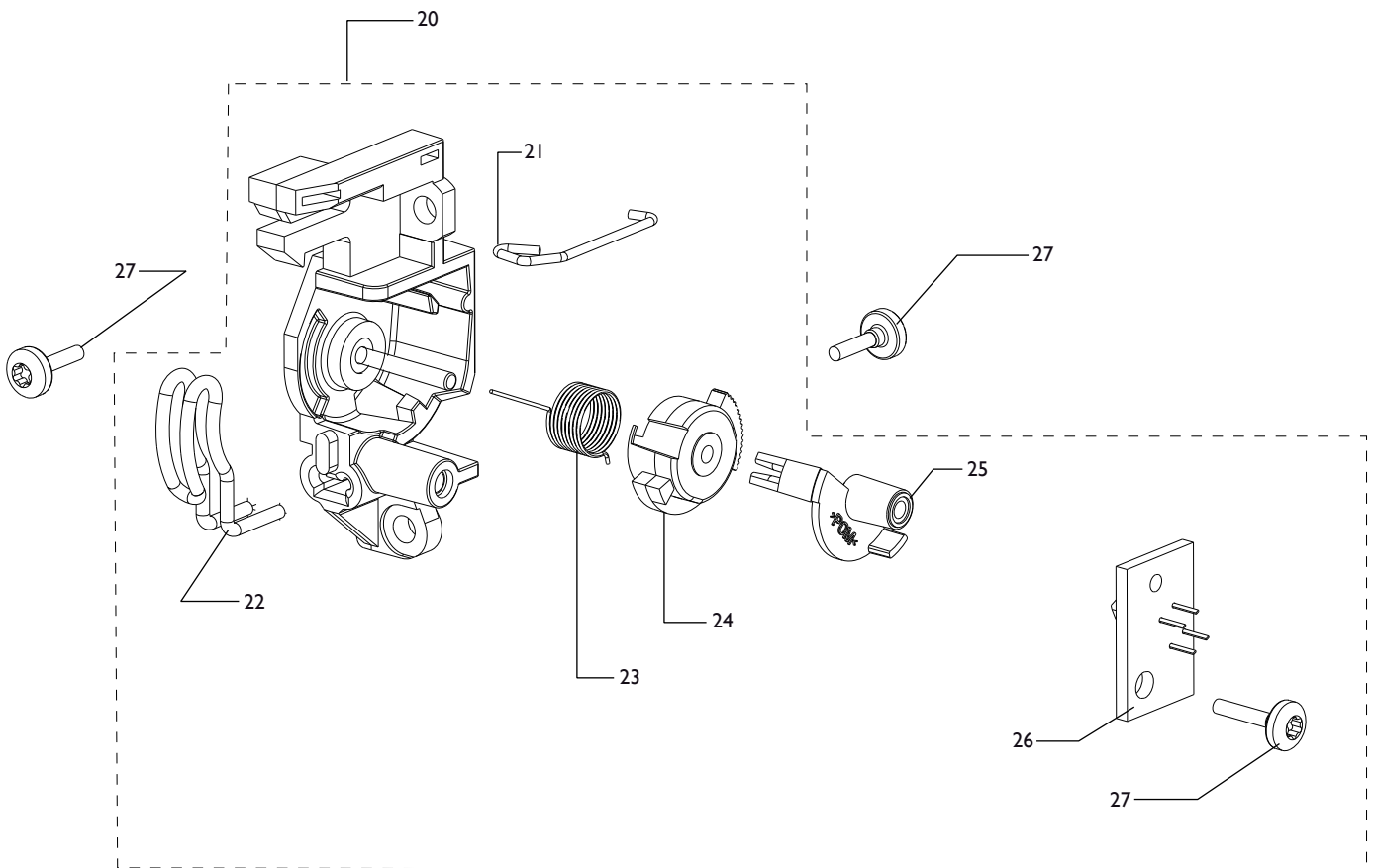
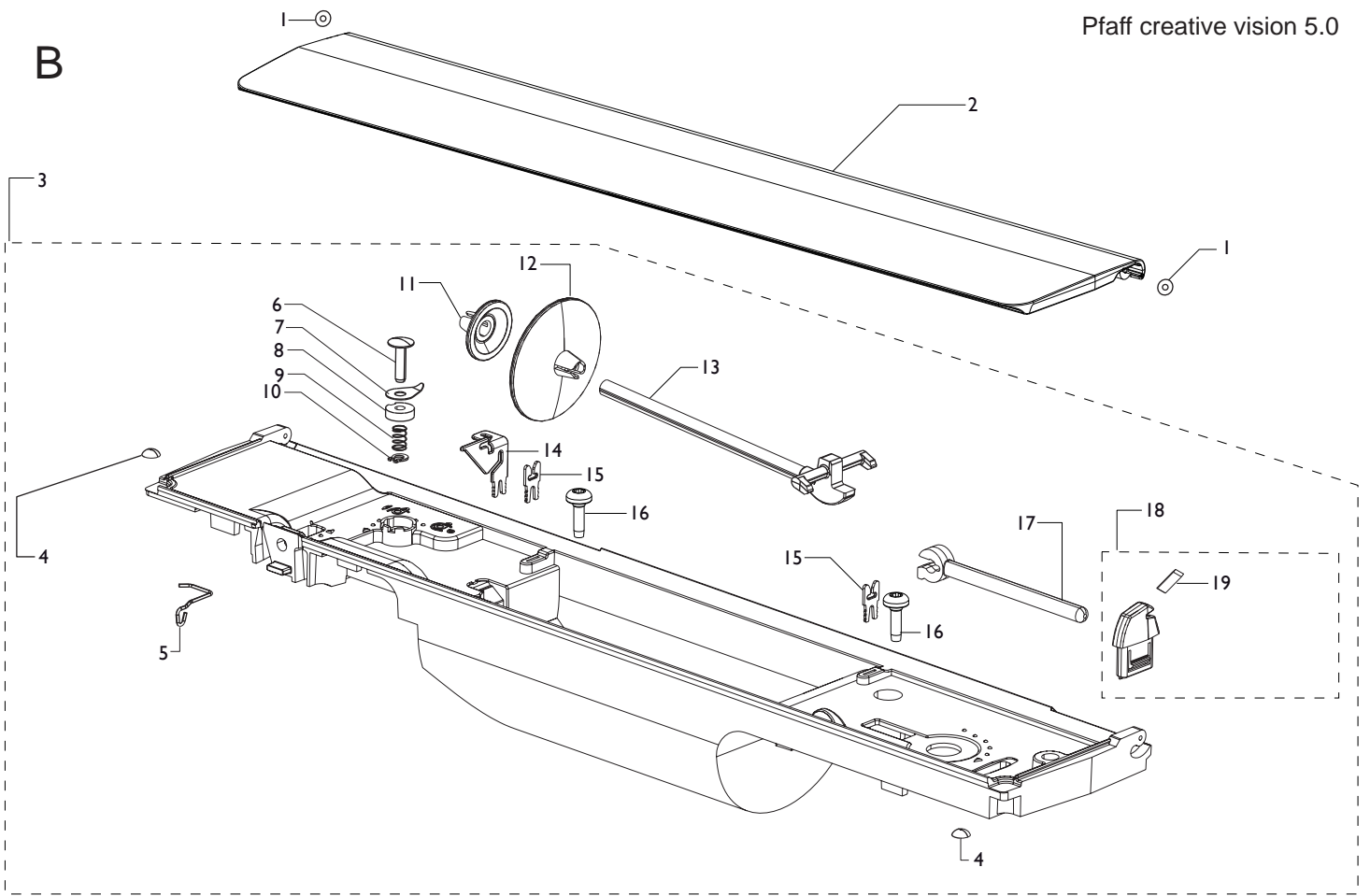
| | |
|-----------|------------------------|
| 413149396 | CD CPL CREATIVE VISION |
|-----------|------------------------|

A



| | | |
|----|-----------|------------------------------|
| 1 | 413067702 | KEYBOARD FRONT |
| 2 | 413068501 | DISTANCE |
| 3 | 411966801 | SCREW PT 30*7,5 FZB TORX |
| 4 | 412546911 | CABLE ASSEMBLY (20P) |
| 5 | 413068401 | KEY SET |
| 6 | 413066201 | THREAD KNIFE CPL. |
| 7 | 412423701 | THREAD CUTTER |
| 8 | 413080501 | COVER SEWINGHEAD W. FRONT |
| 9 | 413068801 | THREAD GUIDE |
| 10 | 413054603 | GUIDE CPL. |
| 11 | 411966820 | SCREW 30*10 FZB KOMBITORX |
| 12 | 413057601 | REVERSE BUTTON |
| 13 | 413067401 | BOARD, REVERSE BUTTON |
| 14 | 413050001 | LOUD SPEAKER BOX CPL. |
| 15 | 413055901 | LED LIGHT CPL. |
| 16 | 413133001 | LED HOLDER C |
| 17 | 412789701 | LED UNIT |
| 18 | 413055801 | LED GLASS |
| 19 | 413065301 | FRONT COVER WITH PLEXI FRONT |
| 20 | 412693401 | STYLUS, BLACK |
| 21 | 413150401 | CONTACT SPRING, GROUND |
| 22 | 412799122 | FRICITION TAPE |
| 23 | 412799121 | FRICITION TAPE |
| 24 | 413066401 | DISPLAY |
| 25 | 413066302 | DISPLAY BRACKET |
| 26 | 413106501 | INVERTER |
| 27 | 413108701 | CABLE, INVERTER |
| 28 | 413066701 | CONNECTOR BOARD, DISPLAY |
| 29 | 412546914 | CABLE ASSEMBLY (14P) |
| 30 | 412546915 | CABLE ASSEMBLY (16P) |
| 31 | 412914901 | FERRITE |
| 32 | 413105701 | CABLE, DISPLAY |
| 33 | 413066501 | TOUCH PANEL, DISPLAY |

B

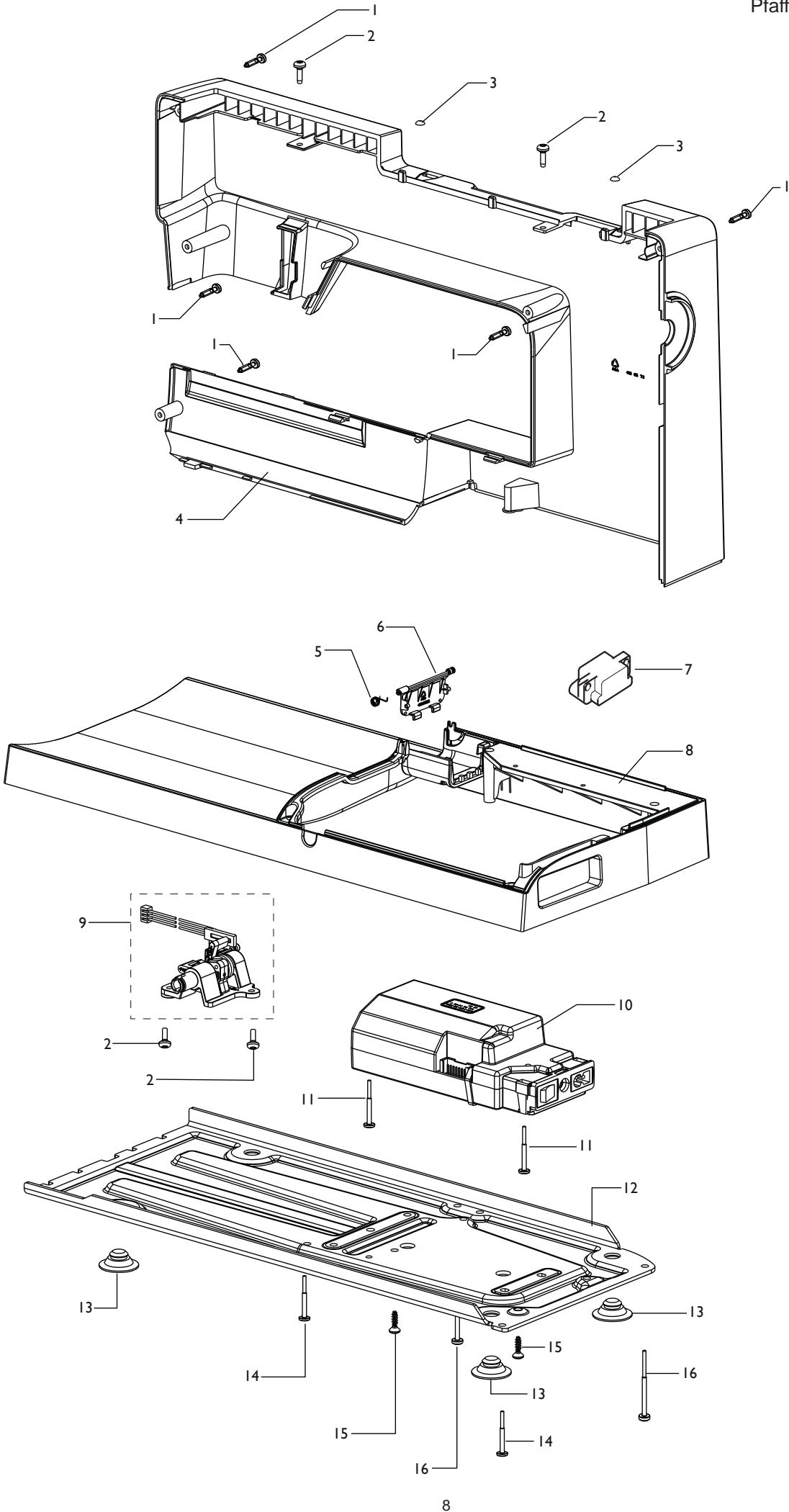


Pfaff creative vision 5.0

| | | |
|----|---------------|-------------------------------|
| 1 | 413139901 | BUSHING |
| 2 | 413053301 | LID CPL. |
| 3 | 413064706 | TOP COVER CPL. |
| 4 | 412569701 | DAMPER |
| 5 | 413064602 | THREAD GUIDE |
| 6 | 9303017435000 | GUIDE PIN |
| 7 | 9303906805000 | THREAD GUIDE, BOBBIN WINDER |
| 8 | 9303205025000 | THREAD GUIDE |
| 9 | 9304006005000 | SPRING |
| 10 | 1261814045000 | RING PN 12618-3,5 |
| 11 | 413051601 | SPOOL HOLDER 22MM |
| 12 | 413051603 | SPOOL HOLDER 45MM |
| 13 | 413064501 | REEL PIN |
| 14 | 413190001 | THREAD GUIDE CPL. |
| 15 | 413060201 | THREAD GUIDE |
| 16 | 412056005 | SCREW TAPTITE M4*10 TORX |
| 17 | 412960401 | THREAD REEL PIN |
| 18 | 413022501 | COVER THREAD KNIFE CPL. WIN. |
| 19 | 412423701 | THREAD CUTTER |
| 20 | 413004003 | THREAD SENSOR CPL. |
| 21 | 413004501 | THREAD CONTROL, THREAD SENSOR |
| 22 | 412519301 | THREAD GUIDE |
| 23 | 412519202 | CHECK SPRING |
| 24 | 413004301 | ADJUSTING SLEEVE |
| 25 | 413004402 | SENSOR THREAD TENSION |
| 26 | 413017603 | THREAD SENSOR ASSEMBLY |
| 27 | 411966820 | SCREW 30*10 FZB KOMBITORX |

B

C

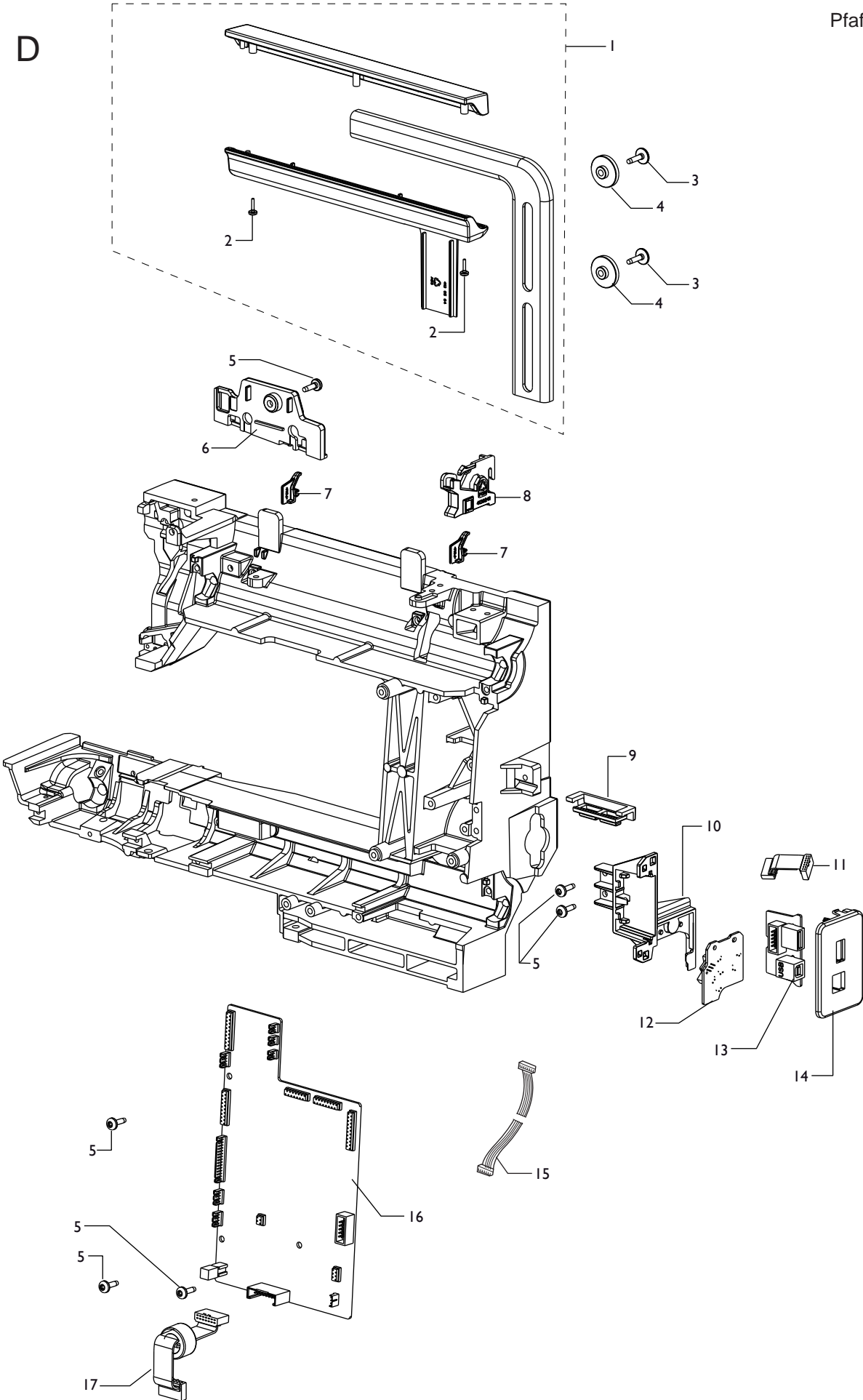


Pfaff creative vision 5.0

| | | |
|----|-----------|----------------------------|
| 1 | 411966803 | SCREW PT 30*12 FZB TORX |
| 2 | 412056005 | SCREW TAPTITE M4*10 TORX |
| 3 | 412569701 | DAMPER |
| 4 | 413057301 | BACK COVER, PFAFF HIGH |
| 5 | 413068601 | TORSION SPRING |
| 6 | 413052501 | LID, XY-UNIT |
| 7 | 413092602 | CABLE ASS. XY SEW.MACHINE |
| 8 | 413034702 | BOTTOM COVER KNEE LIFT |
| 9 | 413050201 | KNEE LIFT, CPL. |
| 10 | 413019203 | POWER SUPPLY CPL. |
| 11 | 411967107 | SCREW PT FS 40*35 FZB TORX |
| 12 | 412954501 | BOTTOM PLATE |
| 13 | 412305001 | RUBBER FOOT, BASE PLATE |
| 14 | 411966812 | SCREW PT 40*40 FZB TORX |
| 15 | 412056001 | SCREW TAPTITE M5*14 TORX |
| 16 | 411966813 | SCREW PT 40*50 FZB |

C

D

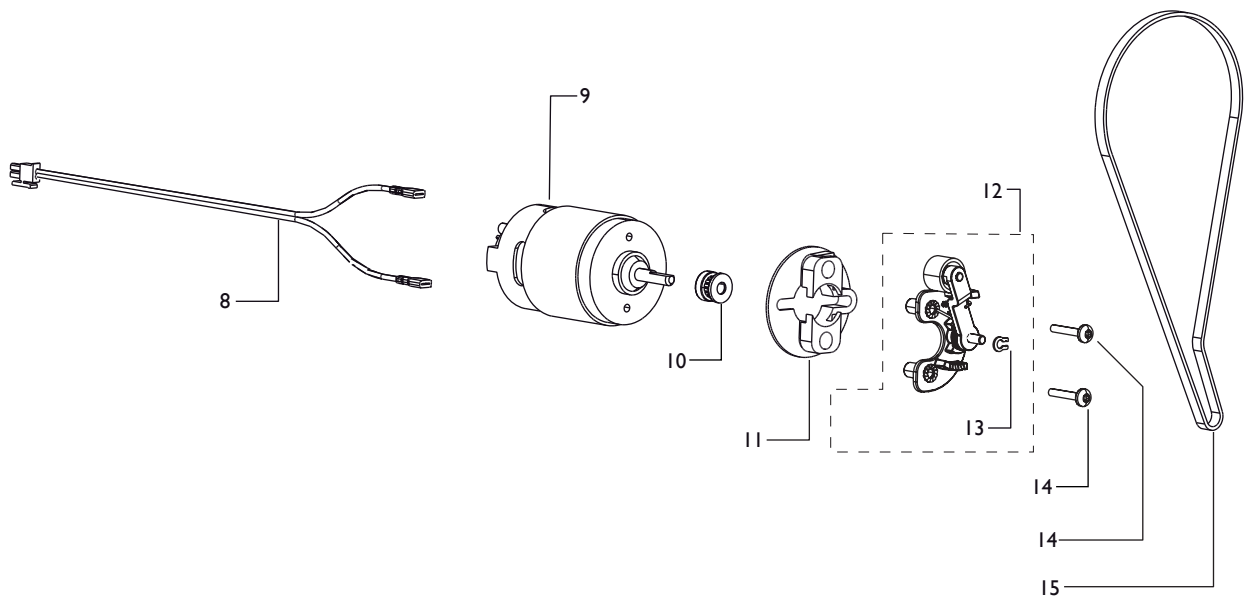
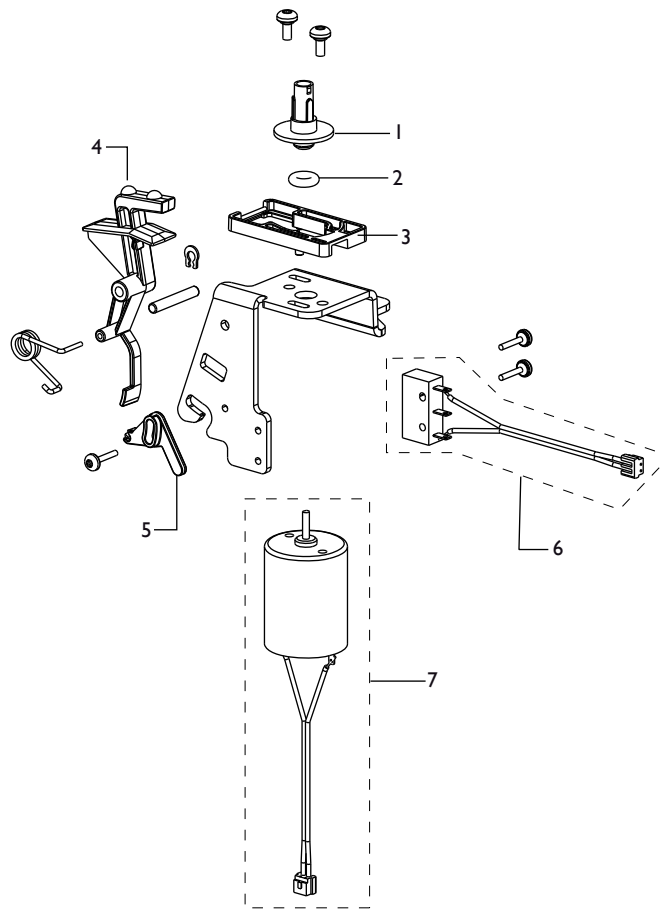


Pfaff creative vision 5.0

| | | |
|----|-----------|----------------------------|
| 1 | 413056101 | HANDLE PART CPL. |
| 2 | 411966820 | SCREW 30*10 FZB KOMBITORX |
| 3 | 413169401 | COLLAR SCREW TT TORX 4*14 |
| 4 | 413056501 | BUSHING, HANDLE |
| 5 | 412056006 | SCREW TAPTITE M4*12 TORX |
| 6 | 413063901 | CABLE SHIELD |
| 7 | 413024201 | CABLE CLAMP |
| 8 | 413024101 | CABLE LOCATOR |
| 9 | 413075601 | CABLE LOCATOR |
| 10 | 412985501 | HOLDER |
| 11 | 413108801 | CABLE,USB |
| 12 | 412986401 | SENSOR BOARD,ASS. |
| 13 | 413024401 | USB BOARD DUAL, CPL. |
| 14 | 413024601 | COVER, USB DUAL |
| 15 | 412546913 | CABLE ASSEMBLY (6P) |
| 16 | 413051845 | MAIN PC-BOARD |
| 17 | 412349704 | CABLE TRANS.-CONTROL BOARD |

D

E

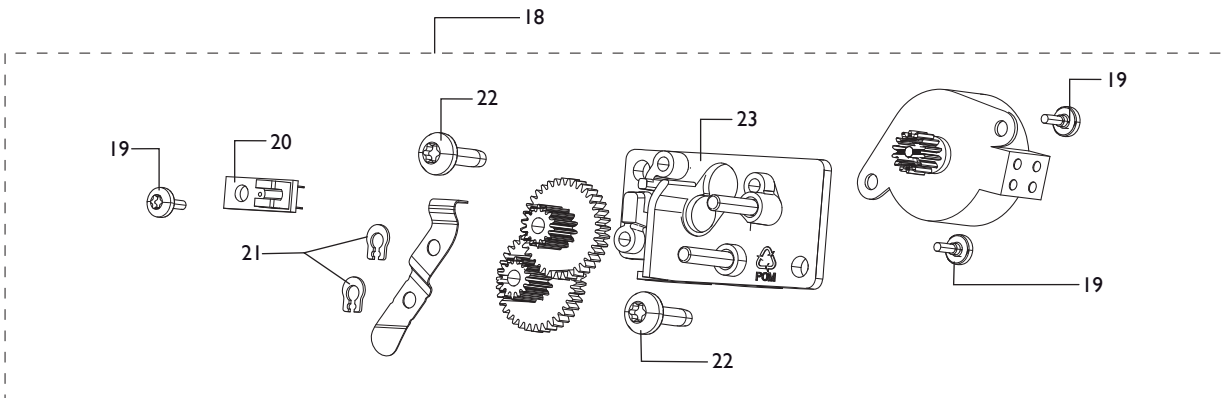
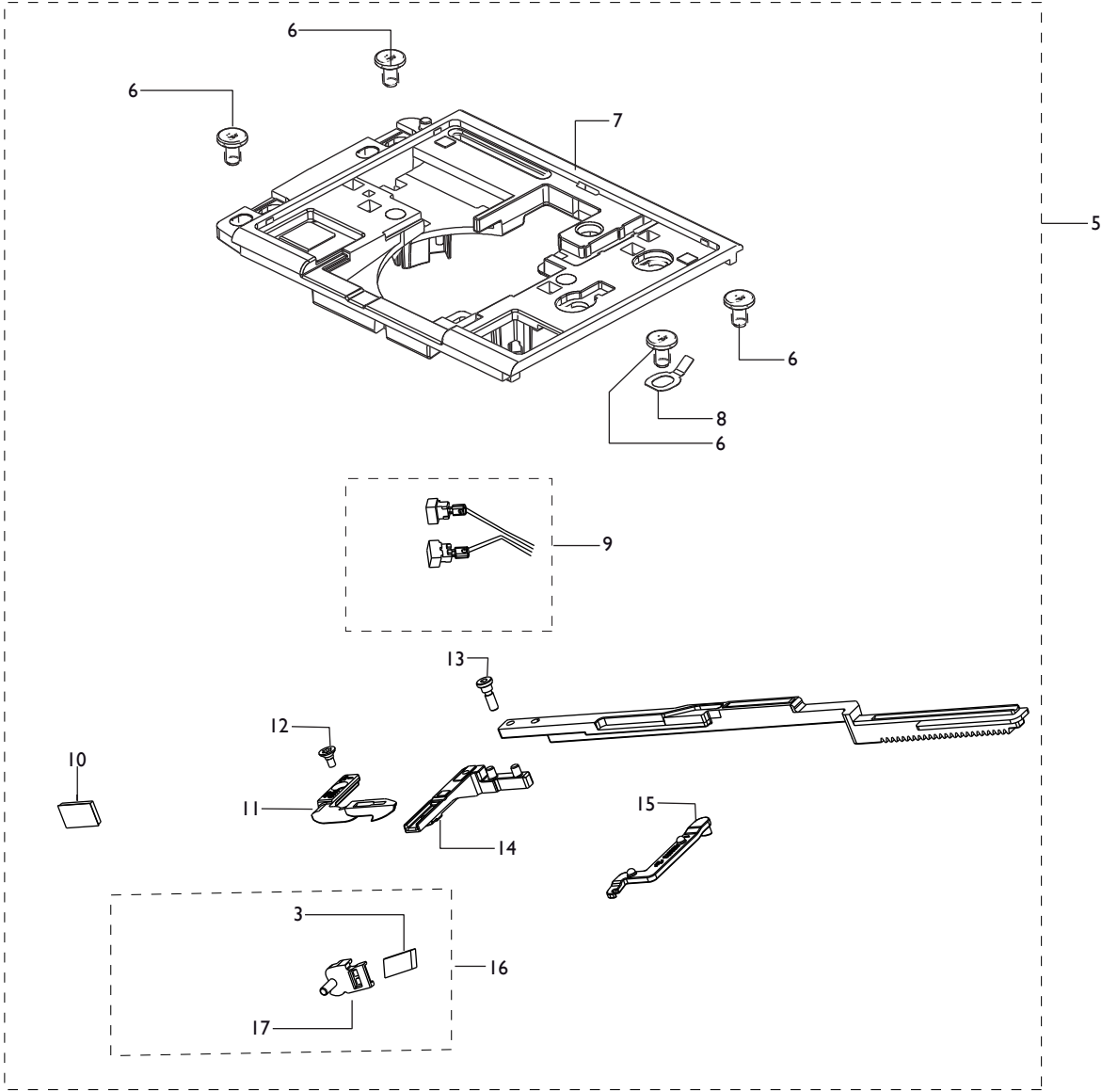
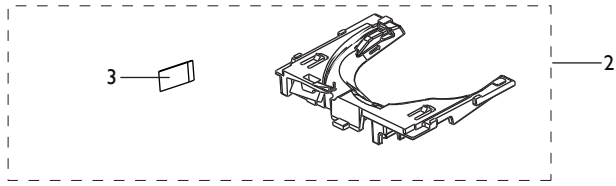
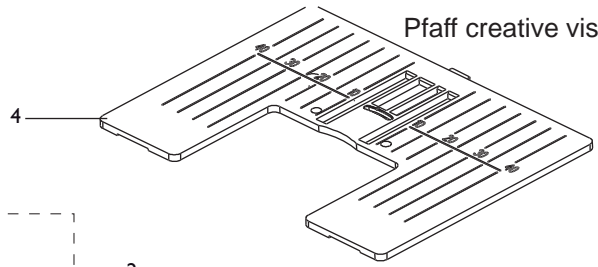
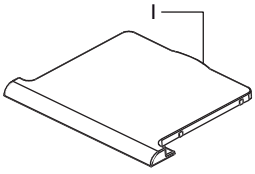


Pfaff creative vision 5.0

| | | |
|----|---------------|---------------------------------|
| 1 | 413062101 | WINDING SHAFT |
| 2 | 412305502 | O-RING |
| 3 | 413062001 | BRAKE LEVER |
| 4 | 413061901 | BOBBIN WINDER LEVER |
| 5 | 413024701 | SWITCH LEVER, WINDER |
| 6 | 413049102 | MICRO SWITCH CPL. |
| 7 | 413093001 | BOBBIN WINDING MOTOR CPL. |
| 8 | 413056901 | CABLE MAIN MOTOR |
| 9 | 9233011191000 | ENGINE DOMEL |
| 10 | 412353302 | DRIVING WHEEL MOTOR 350,400,500 |
| 11 | 412999902 | RUBBER DAMPER |
| 12 | 412971901 | BELT STRETCHER CPL. |
| 13 | 735613640 | COMPRESSION RINGS Ø4 |
| 14 | 412211415 | SCREW M4*20 TORX |
| 15 | 413020201 | COG BELT MOTOR |

E

F

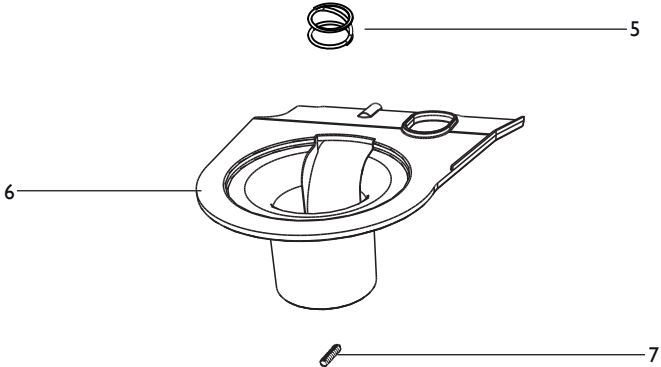
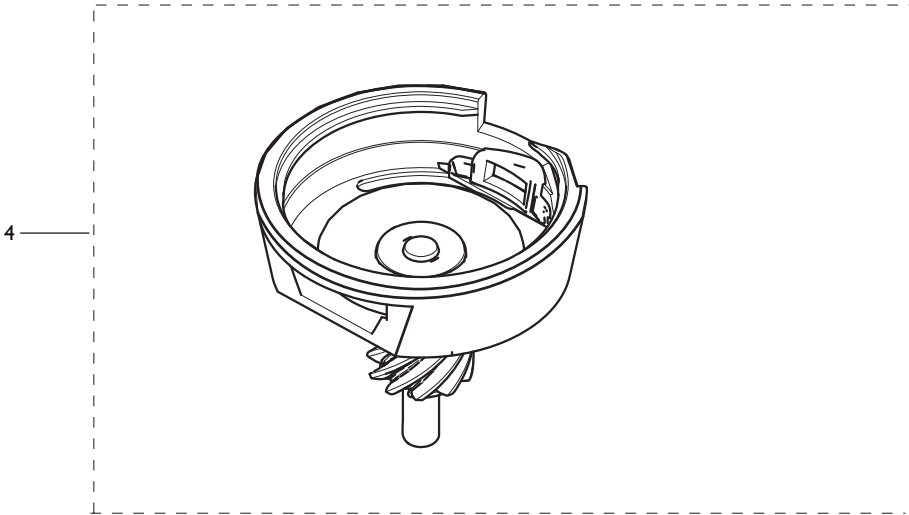
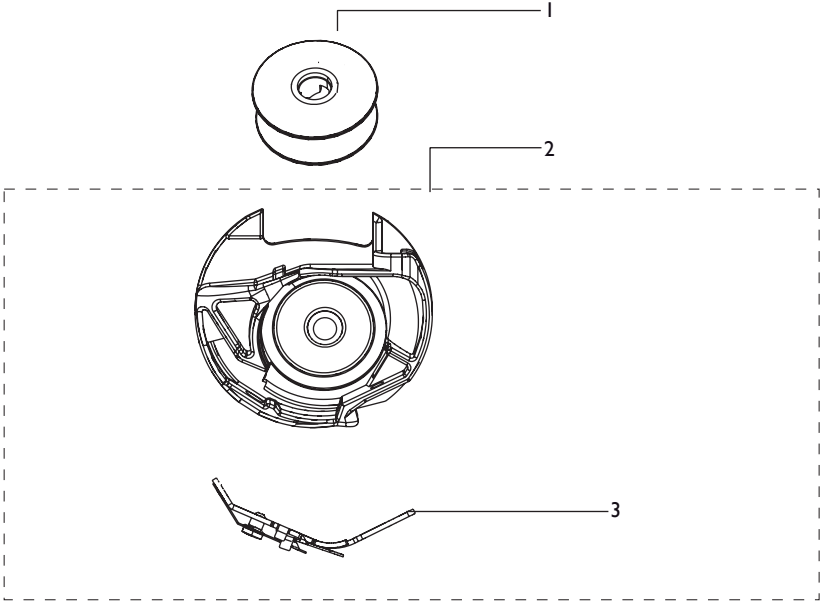


Pfaff creative vision 5.0

| | | |
|----|-----------|--------------------------------|
| 1 | 412963901 | BOBBIN COVER |
| 2 | 413025601 | RETAINER |
| 3 | 412423701 | THREAD CUTTER |
| 4 | 412964305 | STITCH PLATE PFAFF INCH/MM |
| 5 | 412964002 | HOOK COVER CPL. CUT. AND SENS. |
| 6 | 412287903 | SCREW M4*5 FZB |
| 7 | 412964105 | HOOK COVER |
| 8 | 412997701 | ESD SPRING, STITCH PLATE |
| 9 | 413101502 | CABLE ASS. BOBBIN SENSOR |
| 10 | 413116701 | THREAD BRAKE |
| 11 | 413007101 | FETCHER |
| 12 | 412280501 | SCREW, COUNTERSUNK |
| 13 | 413010001 | GUIDE PIN |
| 14 | 413072201 | CONNECTING PART, FETCHER |
| 15 | 413007301 | FETCHER UPPER THREAD |
| 16 | 413047301 | KNIFE HOLDER CPL. |
| 17 | 413007701 | KNIFE HOLDER |
| 18 | 413007401 | STEPPING MOTOR CPL. |
| 19 | 411966828 | SCREW PT 30*6 FZB TORX |
| 20 | 413072501 | CUT SENSOR ASS |
| 21 | 735612440 | COMPRESSION RINGS Ø3 |
| 22 | 412056006 | SCREW TAPTITE M4*12 TORX |
| 23 | 413007502 | MOTOR PLATE CPL. |

F

G

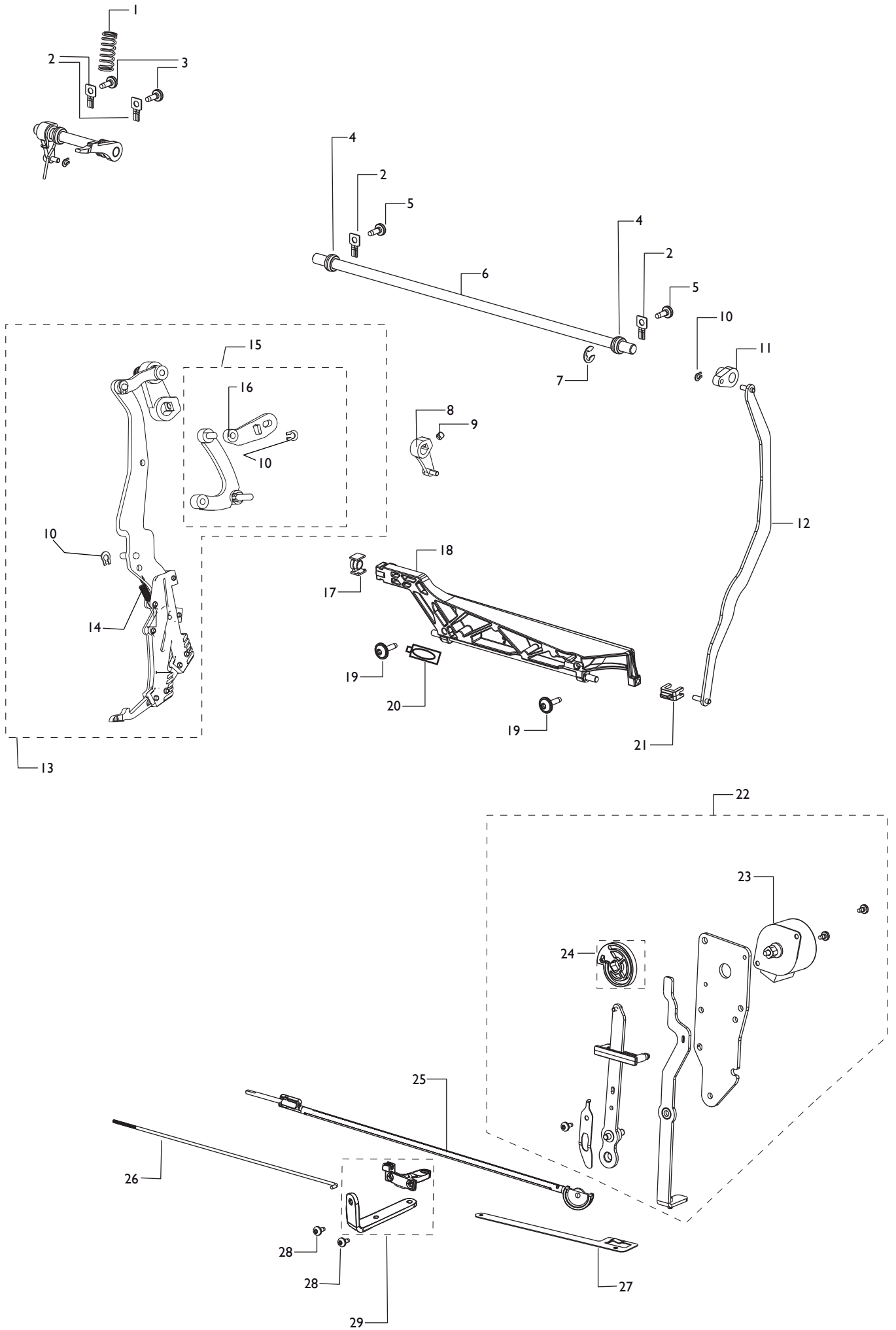


Pfaff creative vision 5.0

| | | |
|---|-----------|-----------------------|
| 1 | 820921096 | BOBBINS CPL GREY 10-P |
| 2 | 413058903 | BOBBIN CASE CPL. |
| 3 | 412471601 | THREAD TENSION CPL. |
| 4 | 412876902 | HOOK CPL WITH SHAFT |
| 5 | 412930101 | SPRING, HOOK |
| 6 | 412964502 | DUST COVER |
| 7 | 728528705 | SCREW M4*8 |

G

H

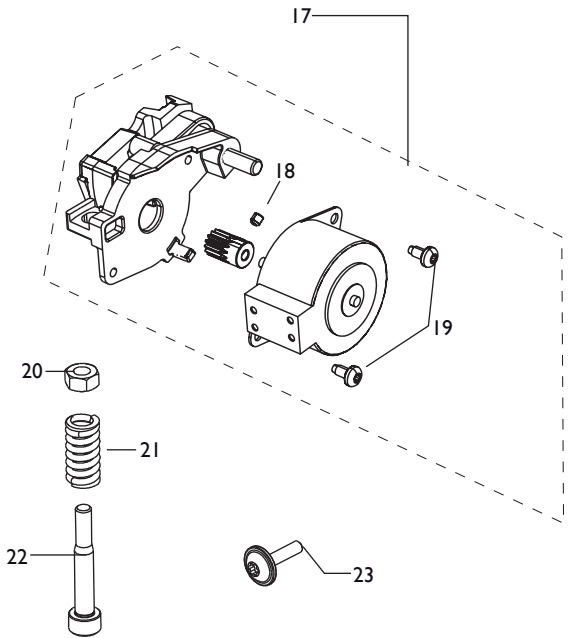
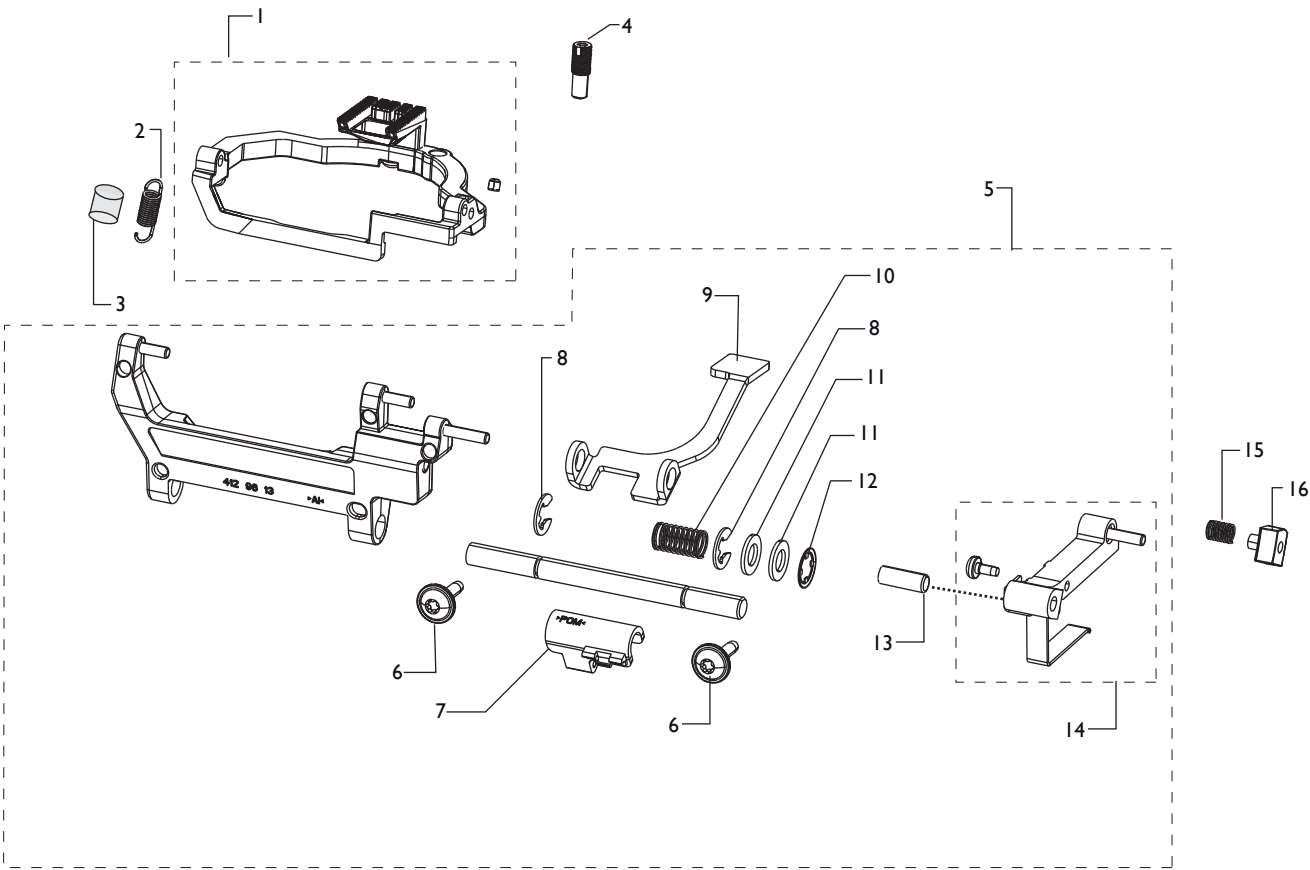


Pfaff creative vision 5.0

| | | |
|----|-----------|--------------------------------|
| 1 | 413065901 | COMPRESSION SPRING, HEIGHT CAM |
| 2 | 413042901 | CLAMP, IDT |
| 3 | 411966820 | SCREW 30*10 FZB KOMBITORX |
| 4 | 413042601 | BEARING, IDT |
| 5 | 412056005 | SCREW TAPTITE M4*10 TORX |
| 6 | 413042401 | SHAFT UPPER, IDT |
| 7 | 735310920 | SNAP RING E-5 |
| 8 | 413046201 | HEIGHT CRANK, IDT CPL. |
| 9 | 411968706 | SET SCREW FLAT, M4*4 TORX |
| 10 | 735612440 | COMPRESSION RINGS Ø3 |
| 11 | 413042501 | REAR CRANK, IDT |
| 12 | 413043001 | LINK, IDT, LONG |
| 13 | 413043201 | ARM, IDT, CPL. |
| 14 | 413043101 | COMPRESSION SPRING |
| 15 | 413140801 | TOGGLE LINK, IDT CPL. |
| 16 | 413043601 | LOWER SLEWING BRACKET, IDT |
| 17 | 413042201 | FEEDER BEARING, IDT |
| 18 | 413041901 | CONNECTOR FEEDER, IDT |
| 19 | 413169401 | COLLAR SCREW TT TORX 4*14 |
| 20 | 413140701 | CLAMP SHAFT, IDT |
| 21 | 413042001 | CLAMPING, IDT |
| 22 | 413060001 | SIDE FEED, FEED DOG DROP CPL. |
| 23 | 412997902 | STEPPING MOTOR, SIDE FEED |
| 24 | 413060101 | CAM WHEEL CPL. |
| 25 | 413033701 | PULL ROD, SIDE FEED CPL. |
| 26 | 413034101 | PULL WIRE, FEED DOG DROP |
| 27 | 413033401 | TRANSM. LINKAGE, FEED DOG DROP |
| 28 | 411967212 | SCREW TAPTITE FS M4*12 TORX |
| 29 | 413034501 | LINKAGE UNIT, FEED DROP |

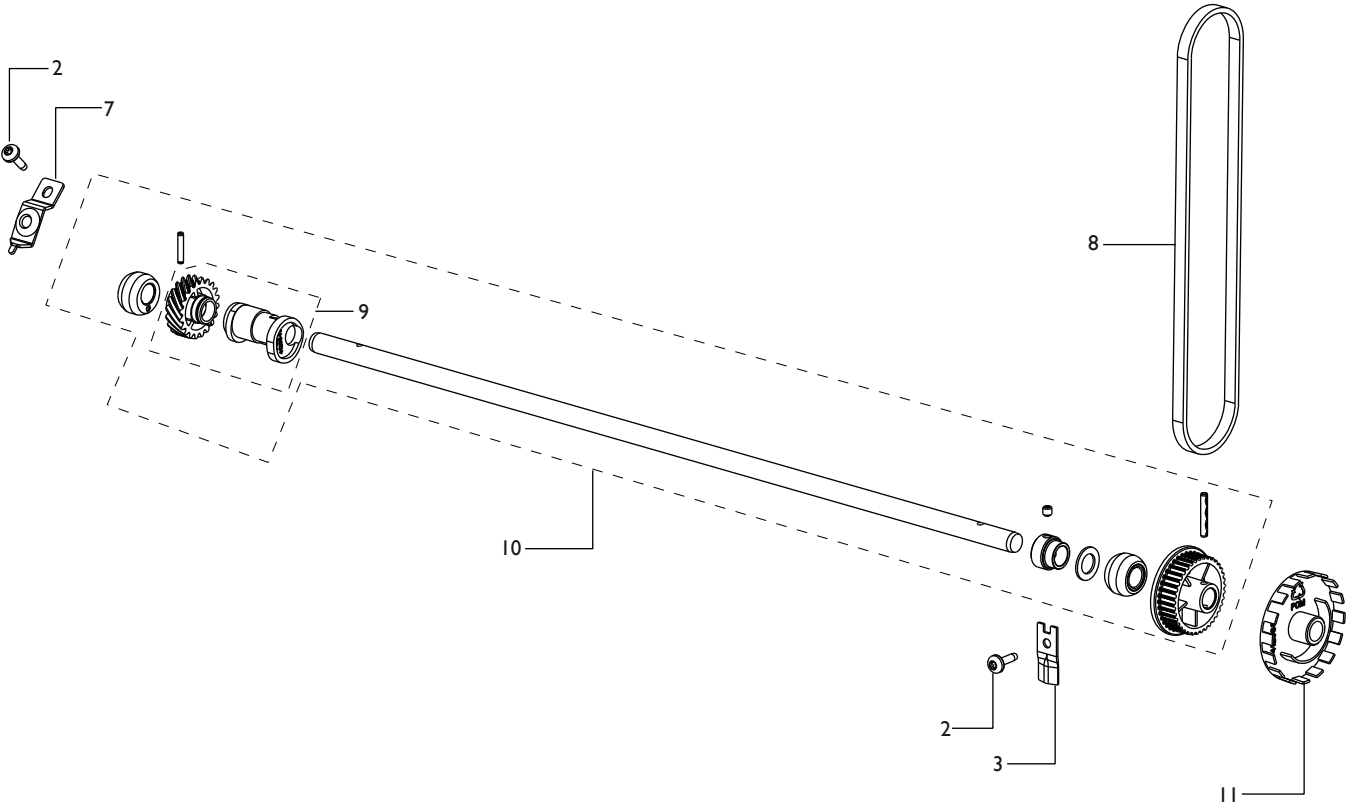
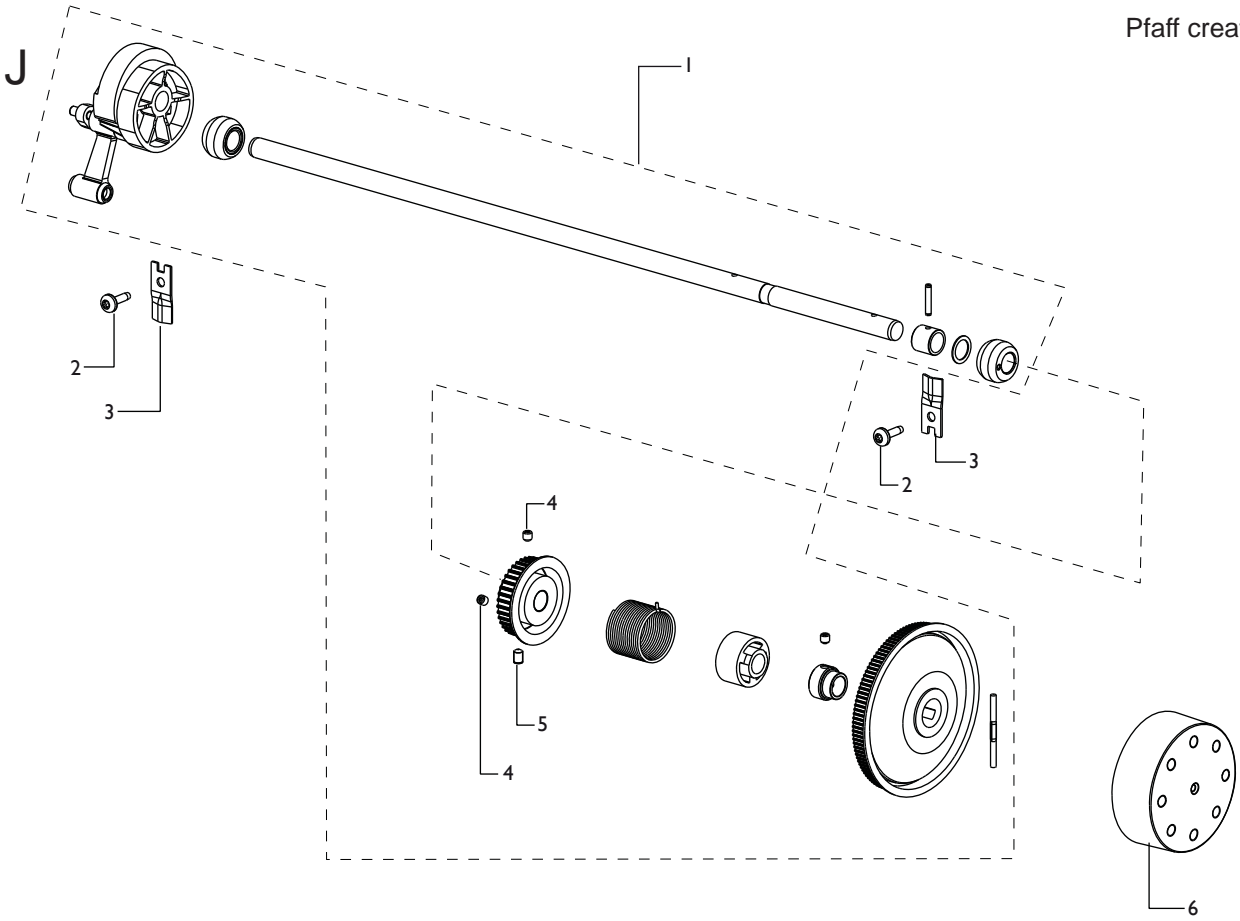
H

I



Pfaff creative vision 5.0

| | | |
|----|-----------|--------------------------------|
| 1 | 412963004 | FEED DOG CPL PF SINTERED |
| 2 | 413270001 | TENSION SPRING, FRAME FEED DOG |
| 3 | 413112601 | BUFFER |
| 4 | 412962801 | ADJUSTING SCREW, FEED DOG |
| 5 | 413269104 | CARRIGE FEED CPL. |
| 6 | 413169401 | COLLAR SCREW TT TORX 4*14 |
| 7 | 413034201 | INSERT, LEVER FEED LIFT |
| 8 | 735310920 | SNAP RING E-5 |
| 9 | 412962401 | LEVER, LIFT FEED |
| 10 | 412962501 | SPRING, FEED DOG LOWERING |
| 11 | 412829101 | WASHER, LOWER SHAFT |
| 12 | 412368001 | LOCK WASHER |
| 13 | 412316023 | INA PIN NRB 4*19,8 0-2UM |
| 14 | 412961601 | LINK, CARRIAGE FEED CPL. |
| 15 | 412961701 | SPRING, SLIDING BLOCK |
| 16 | 412961801 | BLOCK, GUIDE |
| 17 | 412963501 | STEPPING MOTOR UNIT, FEED |
| 18 | 411968703 | SET SCREW FLAT, M3*3 TORX |
| 19 | 412056011 | SCREW TAPTITE M3*5 TORX |
| 20 | 413025401 | NUT M5*0,5 |
| 21 | 412963601 | SPRING |
| 22 | 412963701 | SCREW BALANCE ADJUSTMENT |
| 23 | 413034402 | COLLAR SCREW M4*10, LEFT HAND |

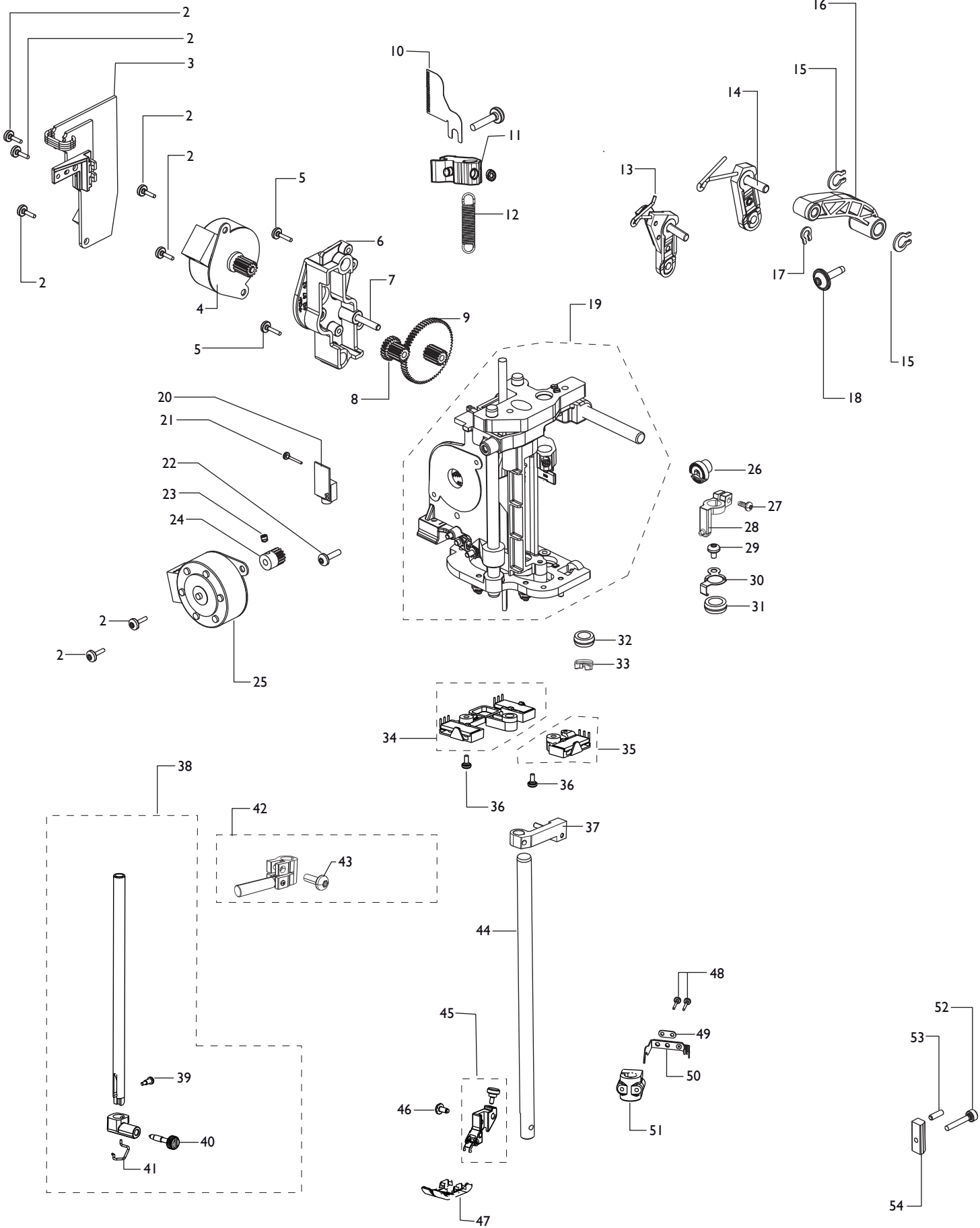
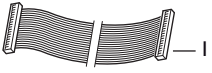


Pfaff creative vision 5.0

| | | |
|----|-----------|------------------------------|
| 1 | 412966703 | UPPER SHAFT CPL. |
| 2 | 412056006 | SCREW TAPTITE M4*12 TORX |
| 3 | 412328401 | CLAMP |
| 4 | 411968706 | SET SCREW FLAT, M4*4 TORX |
| 5 | 411968807 | SET SCREW POINTED, M4*6 TORX |
| 6 | 413040301 | HAND WHEEL |
| 7 | 412318101 | CLAMP LOWER SHAFT |
| 8 | 413020301 | COG BELT UPPER-LOWER SHAFT |
| 9 | 412964401 | ECCENTRIC FEED CPL. |
| 10 | 412967901 | LOWER SHAFT CPL. |
| 11 | 412968101 | SHIELD, REVOLUTION INDICATOR |

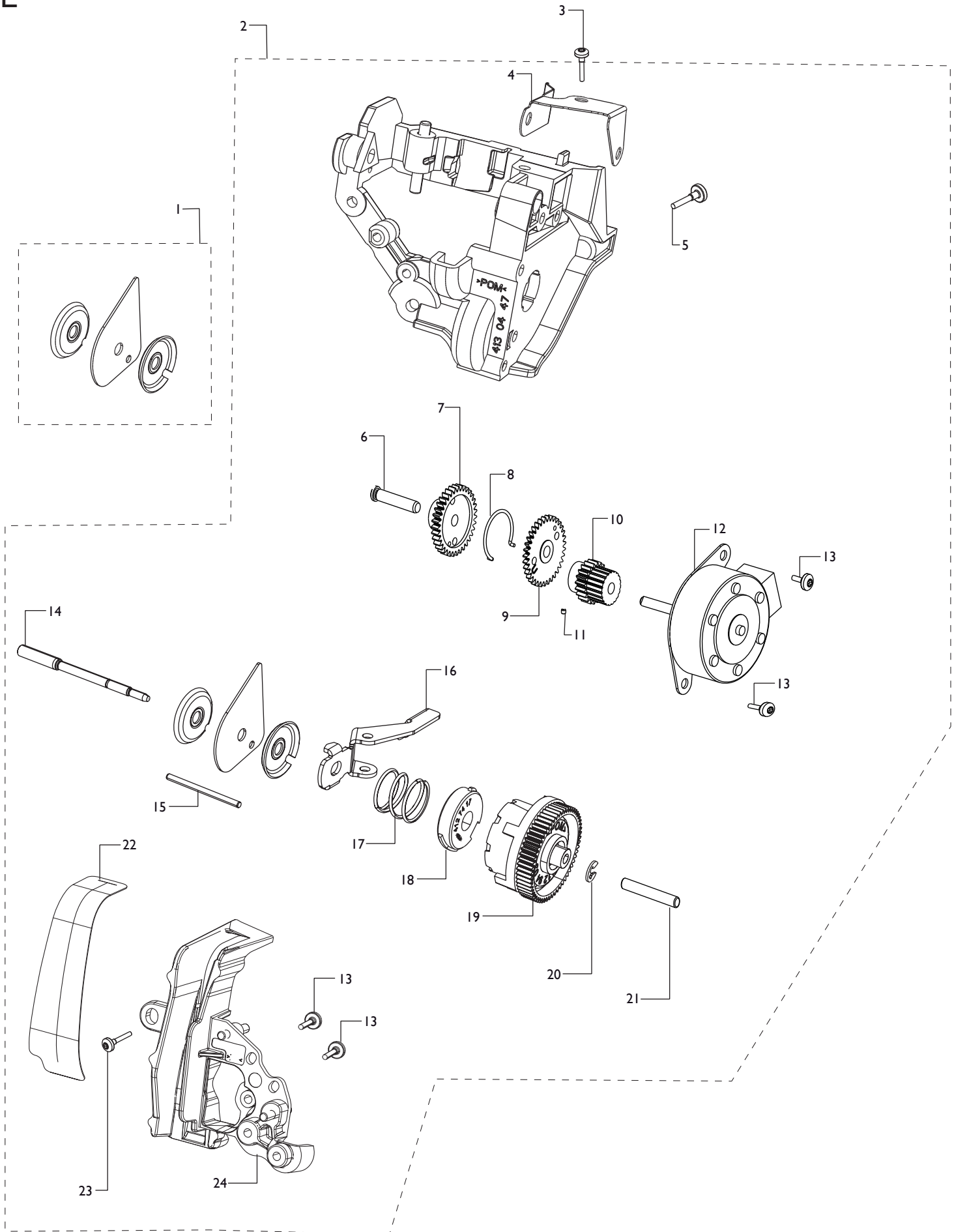
J

K



| | | |
|----|-----------|-------------------------------|
| 1 | 412546912 | CABLE ASSEMBLY (18P) |
| 2 | 411966801 | SCREW PT 30*7,5 FZB TORX |
| 3 | 413067003 | CONNECTING BOARD SERVO SENS. |
| 4 | 413005901 | STEPPING MOTOR CPL. |
| 5 | 411966820 | SCREW 30*10 FZB KOMBITORX |
| 6 | 412974201 | GEAR HOUSE, SERVO |
| 7 | 412316010 | INA PIN NRB 3*17,8 0-3UM |
| 8 | 412974301 | GEAR WHEEL SERVO PRIM. |
| 9 | 412974401 | GEAR WHEEL SERVO SEC. |
| 10 | 412973901 | SHIELD, PRESSER FOOT SERVO |
| 11 | 413261601 | GUIDE,SERVO CPL. |
| 12 | 413137602 | SPRING, PRESSER FOOT PRESSURE |
| 13 | 413232002 | TAKE UP LEVER CPL, WITH LINK |
| 14 | 412394401 | THREAD TAKE UP 210,230,250 |
| 15 | 735615340 | COMPRESSION RINGS Ø6 |
| 16 | 413047401 | LINK |
| 17 | 735613640 | COMPRESSION RINGS Ø4 |
| 18 | 413169401 | COLLAR SCREW TT TORX 4*14 |
| 19 | 413244201 | SEWING HEAD CPL. |
| 20 | 413031001 | BUTTONSENS. CONN. ASS |
| 21 | 411966821 | SCREW PT 18*10 FZB TORX |
| 22 | 412211404 | SCREW M3*10 TORX |
| 23 | 411968703 | SET SCREW FLAT, M3*3 TORX |
| 24 | 413057201 | GEAR Z-Z |
| 25 | 412993901 | STEPPING MOTOR |
| 26 | 412966501 | CALIBRATION KNOB |
| 27 | 413019001 | SCREW K 30*8 PT WN 1452 S |
| 28 | 412993501 | STROKE LIMITER |
| 29 | 412211401 | SCREW M3*4 TORX |
| 30 | 413060301 | CLIPS, GABLE LOWER |
| 31 | 412500601 | BEARING |
| 32 | 412501501 | BEARING 10/6,35-4 |
| 33 | 412504701 | LOCKING DEVICE |
| 34 | 413040202 | LED HOLDER CPL. LEFT |
| 35 | 413040102 | LED HOLDER CPL. RIGHT |
| 36 | 412211402 | SCREW M3*6 TORX |
| 37 | 413045801 | PRESSER BAR GUIDE SERVO, IDT |
| 38 | 413094303 | NEEDLE BAR CPL. |
| 39 | 413094701 | SCREW THREAD GUIDE |
| 40 | 413094801 | NEEDLE SCREW |
| 41 | 413094602 | THREAD GUIDE |
| 42 | 412993603 | CROSS HEAD CPL. |
| 43 | 412211403 | SCREW M3*8 TORX |
| 44 | 412285403 | PRESSER BAR |
| 45 | 413039201 | HOLDER PRESSER FOOT CPL. |
| 46 | 413040401 | SCREW HOLDER PRESSER FOOT |
| 47 | 820773096 | STANDARD PRESSER FOOT W. IDT |
| 48 | 411966825 | SCREW PT 16*8 FZB TORX |
| 49 | 412876701 | WASHER, NEEDLE THREADER |
| 50 | 413238402 | NEEDLE THREADER |
| 51 | 413053601 | HOLDER, NEEDLE THREADER |
| 52 | 725522805 | SCREW M3*16 INSEX |
| 53 | 728522205 | SOCKET SET SCREW FLAT POINT |
| 54 | 412966601 | WEDGE |

L

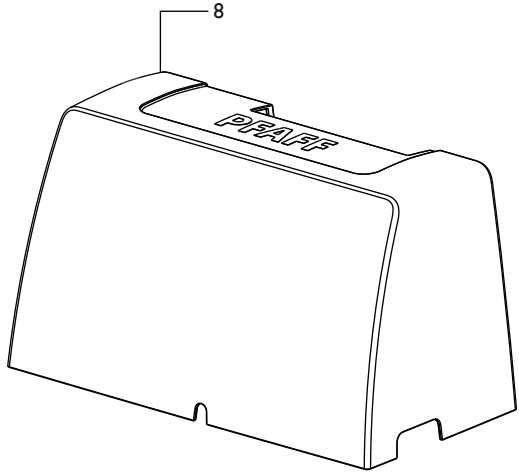
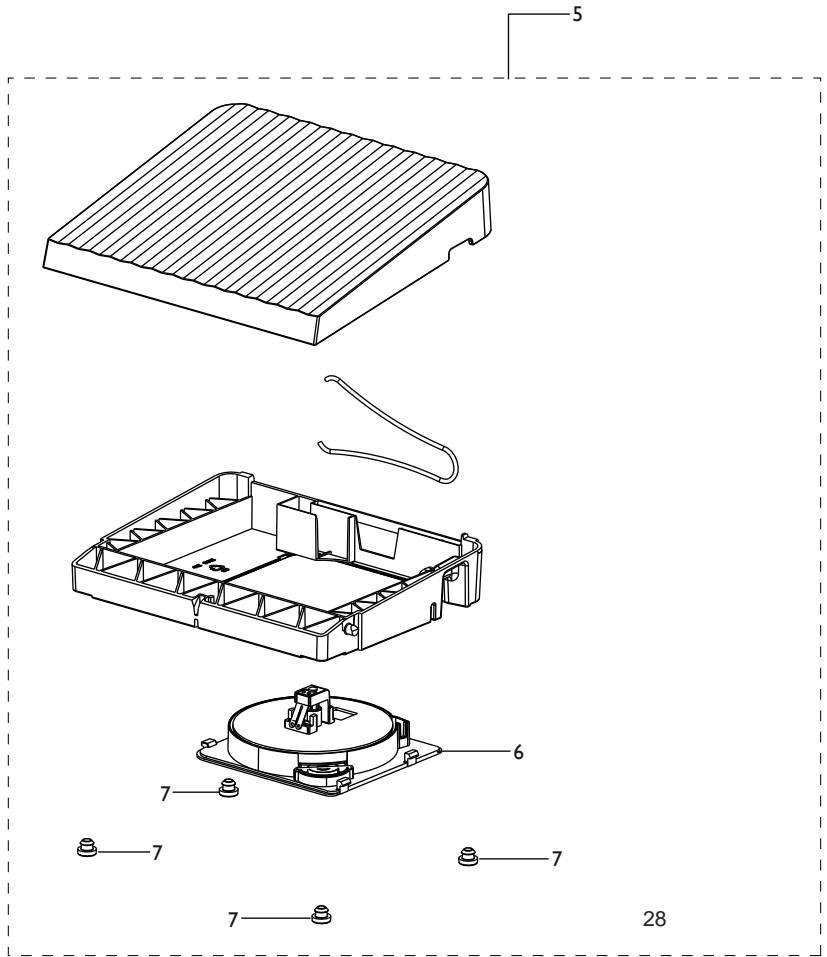
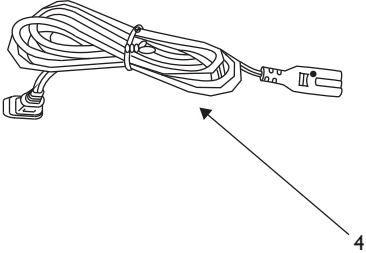
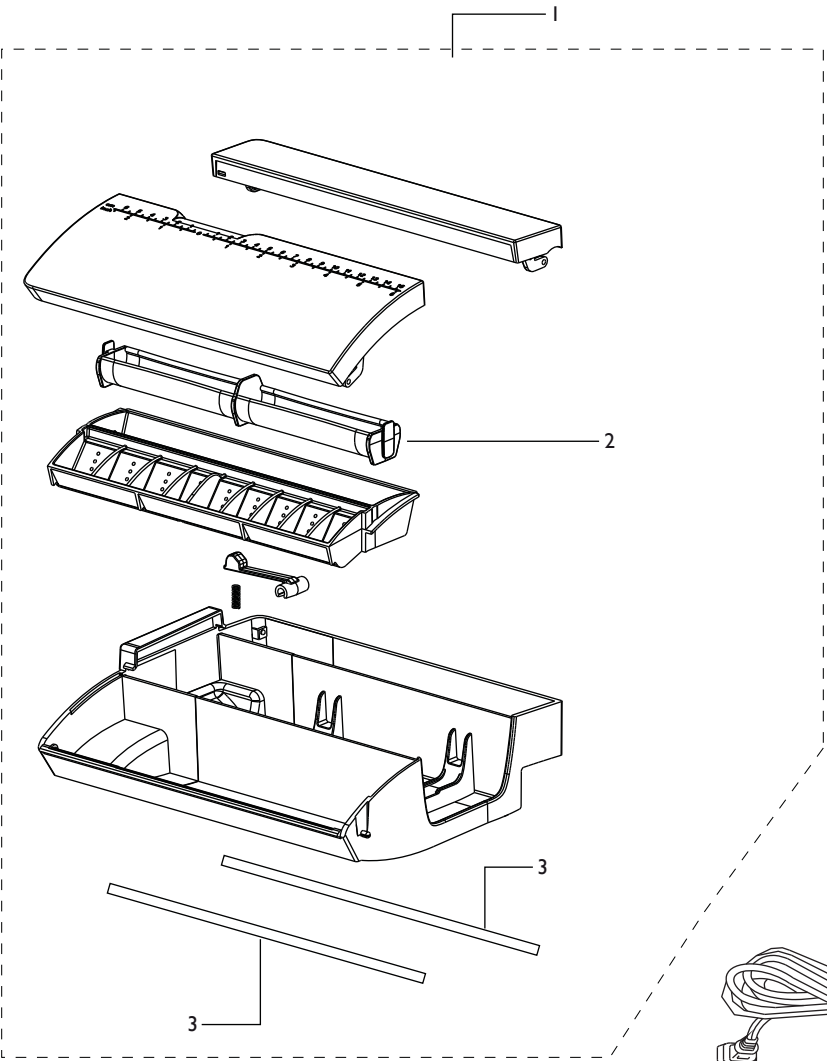


Pfaff creative vision 5.0

| | | |
|----|-----------|------------------------------------|
| 1 | 413106402 | THREAD DISK KIT |
| 2 | 412940203 | THREAD TENSION ASS |
| 3 | 411966803 | SCREW PT 30*12 FZB TORX |
| 4 | 412940602 | CONTACT SPRING |
| 5 | 411966807 | SCREW PT 40*10 FZB TORX |
| 6 | 413056002 | SHAFT, THREAD TENSION |
| 7 | 413059101 | INTERMEDIATE GEAR, FIXED |
| 8 | 412442801 | SPRING GEAR WHEEL |
| 9 | 413059202 | INTERMEDIATE GEAR, MOVABLE |
| 10 | 412742401 | GEAR, FIXED |
| 11 | 411968703 | SET SCREW FLAT, M3*3 TORX |
| 12 | 412993903 | STEPPING MOTOR |
| 13 | 411966820 | SCREW 30*10 FZB KOMBITORX |
| 14 | 412940101 | SHAFT, THREAD TENSION |
| 15 | 413113201 | PIN |
| 16 | 412940501 | RELEASE LEVER, THREAD TENSION |
| 17 | 413159501 | COMPRESSION SPRING, THREAD TENSION |
| 18 | 412741701 | NUT, THREAD TENSION |
| 19 | 412940404 | HOUSING THREAD TENSION |
| 20 | 735310620 | LOCK WASHER 2,3 |
| 21 | 412316060 | INA PIN NRB 3*23,8 0-2UM |
| 22 | 413017901 | PROTECTION THREAD TAKE UP, VER 1 |
| | 413218501 | PROTECTION, THREAD TAKE UP, VER 2 |
| 23 | N/S | SCREW PT 30*30 FZB TORX |
| 24 | 413232201 | SHIELD, TAKE UP LEVER ASS,VER 2 |

L

M

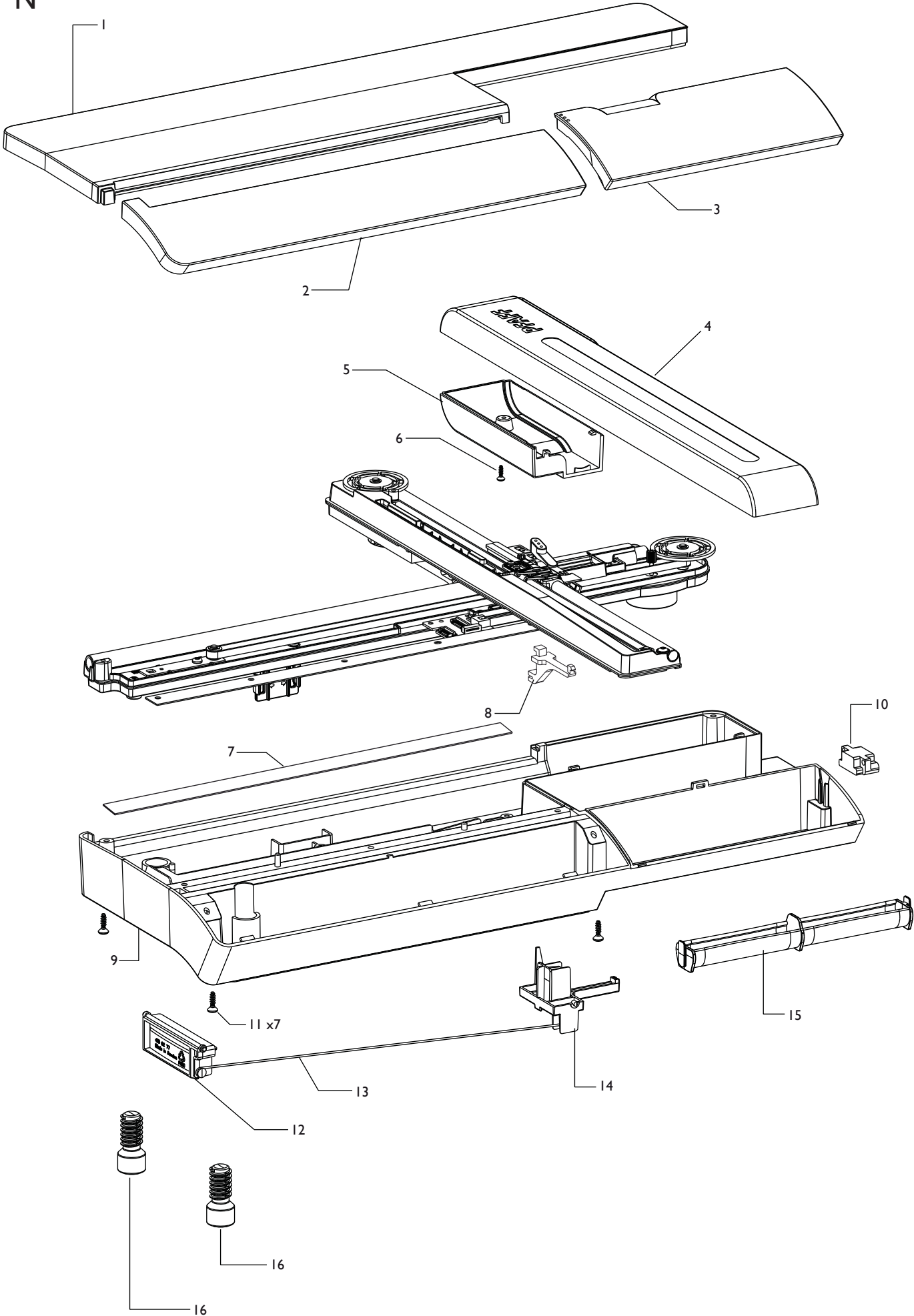


Pfaff creative vision 5.0

| | | |
|---|-----------|-------------------------------|
| 1 | 413083903 | ACCESS.BOX CPL W. SPOOL HOLD. |
| 2 | 412737401 | BOBBIN HOLDER |
| 3 | 412529702 | FRICTION TAPE |
| 4 | 412157801 | NET CABLE 220V |
| | 412157902 | NET CABLE 120V JP |
| | 412157903 | NET CABLE 120V |
| | 412158002 | NET CABLE GB |
| | 412158101 | NET CABLE AU |
| 5 | 412991403 | FOOT CONTR. CPL. GREY W. WIND |
| 6 | 412493002 | CONTROL UNIT WITH WINDER |
| 7 | 412184501 | FOOT |
| 8 | 413071901 | COVER CPL. |

M

N

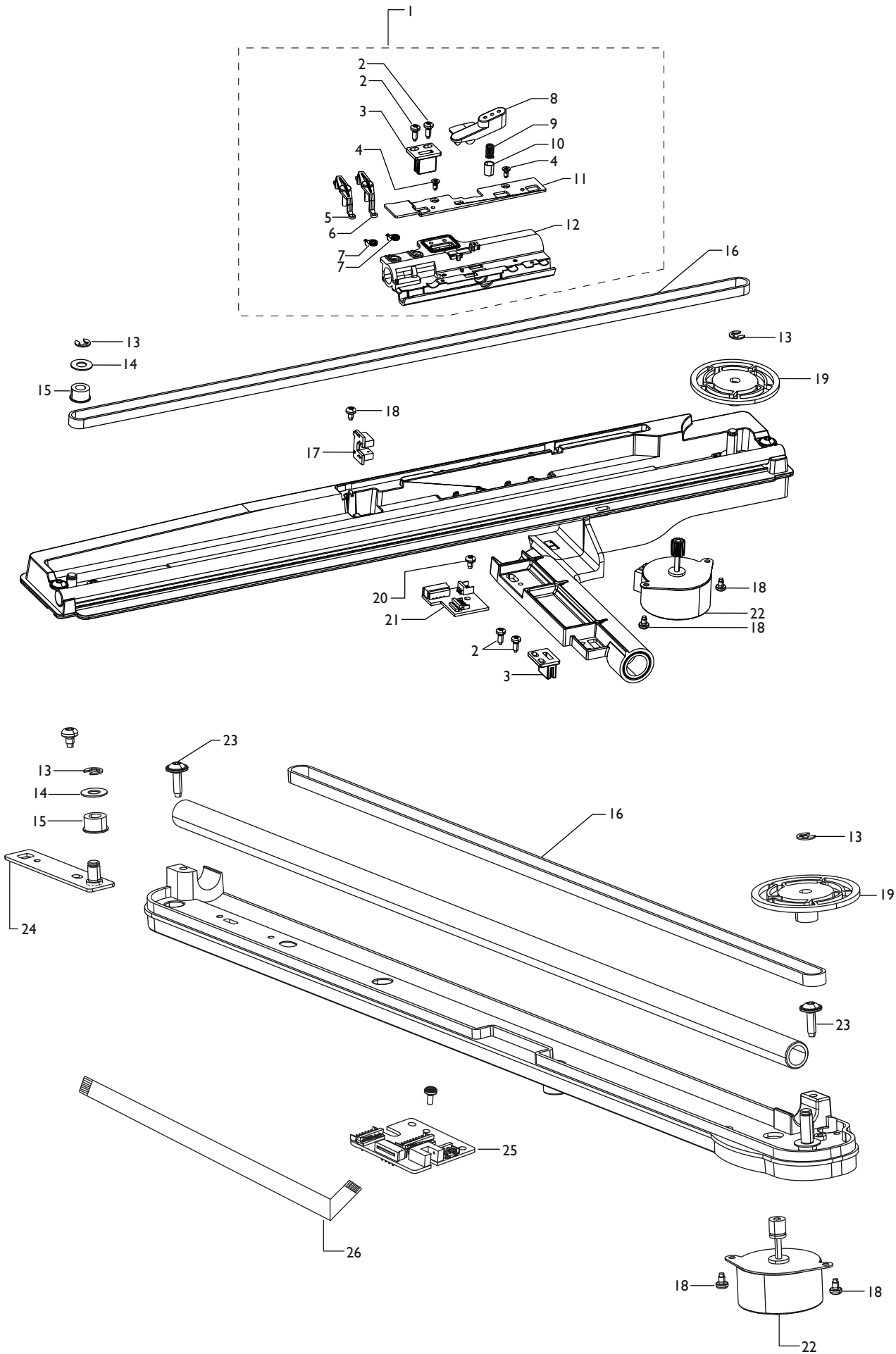


Pfaff creative vision 5.0

| | | |
|----|-----------|-----------------------------|
| 1 | 413028201 | COVER, TOP XY-UNIT |
| 2 | 413028301 | COVER, XY-UNIT |
| 3 | 413028401 | LID, XY-UNIT |
| 4 | 413027901 | COVER Y-ARM |
| 5 | 413028001 | MOTOR COVER Y-ARM |
| 6 | 412056012 | SCREW TAPTITE M4*6 TORX |
| 7 | 413028701 | GUIDE, SUPPORT ARM |
| 8 | 413027501 | SUPPORT ARM, Y-ARM |
| 9 | 413028101 | COVER, BOTTOM XY-UNIT GREY |
| 10 | 413028801 | CABLING, XY-UNIT CPL. |
| 11 | 412056006 | SCREW TAPTITE M4*12 TORX |
| 12 | 413027701 | HANDLE LATCH |
| 13 | 413027804 | CONNECTING ROD, LATCH X=350 |
| 14 | 413027601 | LATCH |
| 15 | 412737401 | BOBBIN HOLDER |
| 16 | 413028501 | FOOT, XY-UNIT CPL. |

N

O



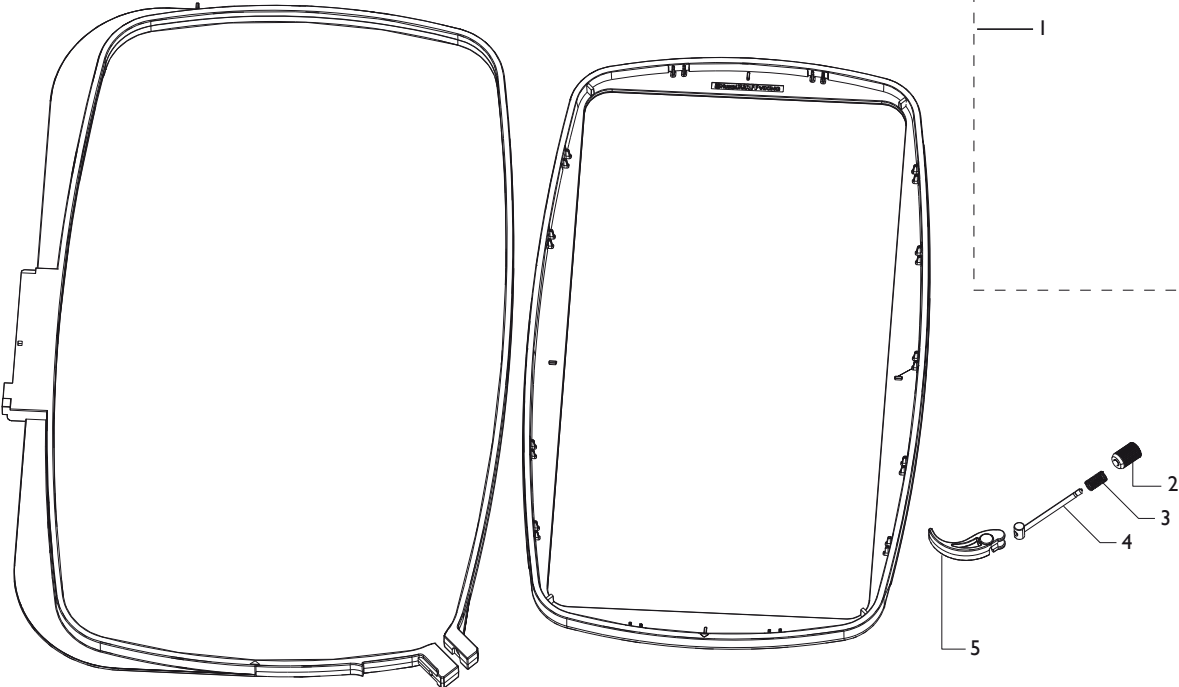
Pfaff creative vision 5.0

| | | |
|----|-----------|-----------------------------|
| 1 | 413026701 | Y-SLED CPL. |
| 2 | 411966801 | SCREW PT 30*7,5 FZB TORX |
| 3 | 412525301 | HOLDER BELT |
| 4 | 411967306 | SCREW PT FS 25*6 OXSV TORX |
| 5 | 412749801 | SENSOR EMBROIDERY FRAME |
| 6 | 412525402 | SENSOR EMBROIDERY FRAME |
| 7 | 412555701 | SPRING |
| 8 | 413030201 | LOCKING ARM Y-SLED |
| 9 | 412526601 | SPRING |
| 10 | 412590003 | SLEEVE |
| 11 | 413026901 | PANEL Y-SLED CPL. |
| 12 | 413026801 | Y-SLED |
| 13 | 735310820 | LOCK WASHER 4 |
| 14 | 412384301 | WASHER 6/13*0,6 |
| 15 | 412384202 | COG WHEEL |
| 16 | 413027201 | SYNCHRONOUS BELT XY-UNIT |
| 17 | 413029601 | BOARD, HOOP DETECTION CPL. |
| 18 | 412056011 | SCREW TAPTITE M3*5 TORX |
| 19 | 412524601 | GEAR WHEEL |
| 20 | 412056001 | SCREW TAPTITE M5*14 TORX |
| 21 | 413029301 | BOARD, Y-ARM CPL. |
| 22 | 413029901 | STEPPER MOTOR XY-UNIT CPL. |
| 23 | 413169401 | COLLAR SCREW TT TORX 4*14 |
| 24 | 412524901 | PLATE, BELT TENSION CPL. |
| 25 | 413029001 | BOARD, XY-UNIT CPL. 360*350 |
| 26 | 412388106 | FLEX CABLE |

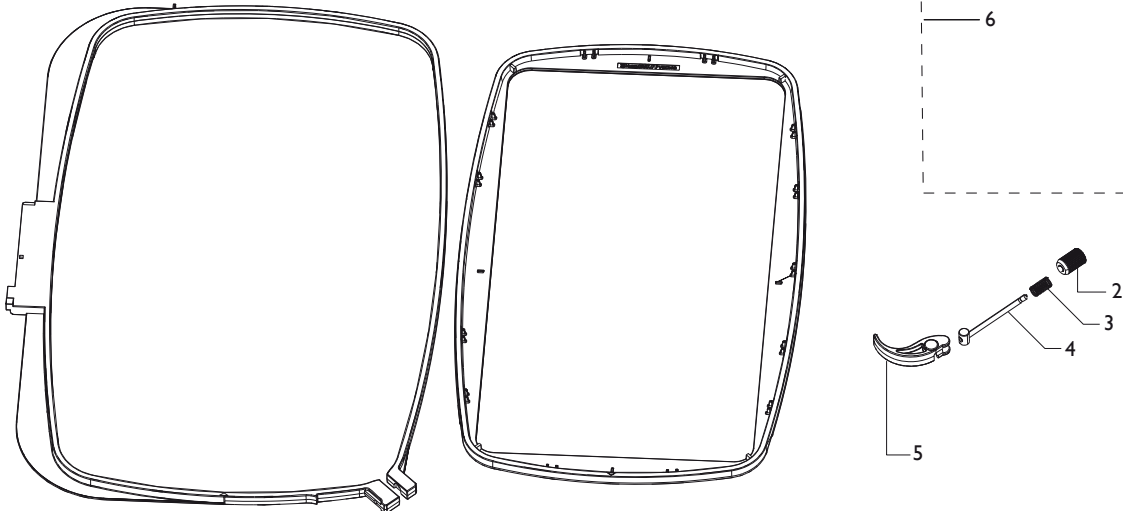


P

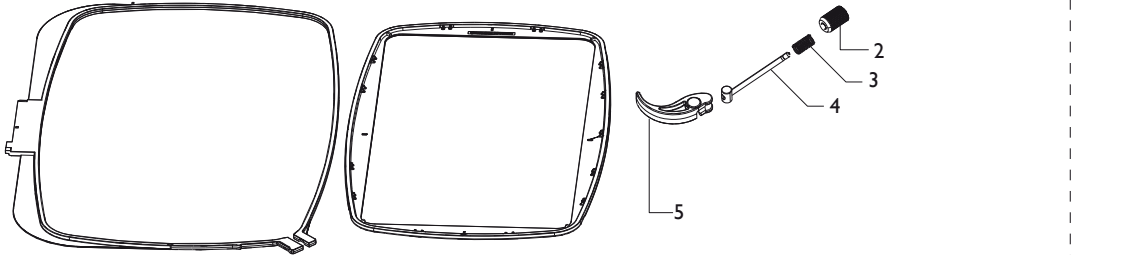
360x200



240x150



120x120



Pfaff creative vision 5.0

| | | |
|---|-----------|--------------------------------|
| 1 | 412944502 | EMBROIDERY FRAME CPL 360*200 |
| 2 | 412996501 | NUT. EMBROIDERY FRAME |
| 3 | 412620701 | SPRING, EMBROIDERY HOOP |
| 4 | 412956204 | SCREW CPL, HOOP |
| 5 | 412984701 | LOCKING HANDLE EMBROIDERY HOOP |
| 6 | 412968502 | EMBROIDERY FRAME CPL. 240*150 |
| 7 | 412968202 | EMBROIDERY FRAME CPL. 120*115 |

P