

PFAFF

Creative Sensation Pro

Parts List

Nicht nummerierte Teile im Katalog werden nicht geliefert.

The parts mentioned without number in the parts list are not available.

Les pièces qui ne sont pas numérotées dans la liste de pièces détachées ne peuvent être livrées.

Bei Bestellung von Ersatzteilen muss die Modell-Nr. der Maschine, die Seitenzahl des Kataloges und die Teilenummer angegeben werden.

Prière d'indiquer dans vos commandes de pièces de rechange, le numéro de la machine, le numéro de la page dans la liste des pièces détachées, ainsi que les numéros des pièces commandées.

When ordering spare parts, please state the model number, the page number in the catalogue of spare parts and the number of the parts called for.



Please note that on disposal, this product must be safely recycled in accordance with relevant National legislation relating to electrical/electronic products. If in doubt please contact your retailer for guidance.



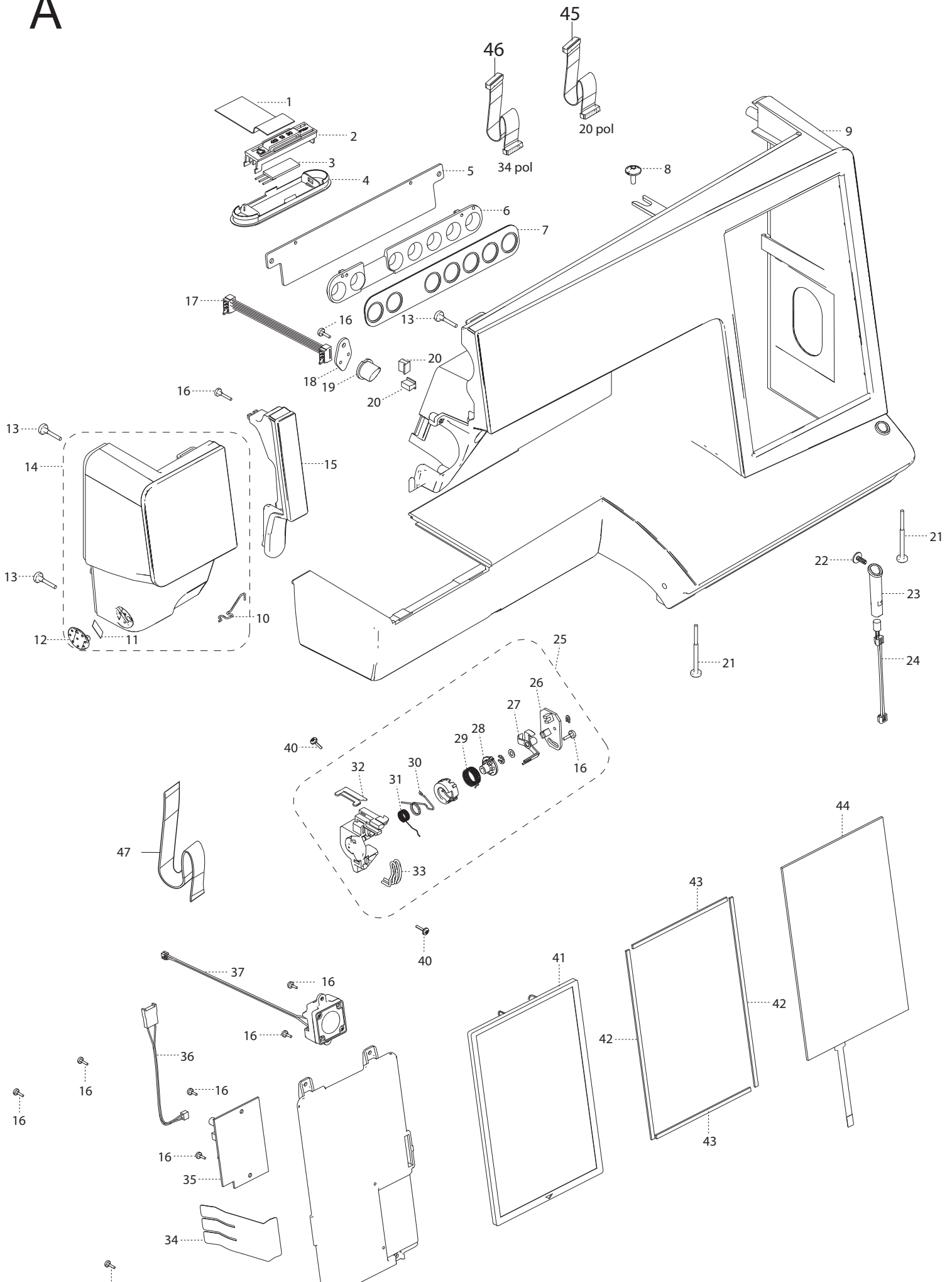
Bitte beachten Sie, dass hinsichtlich der Entsorgung dieses Produkts, vorschriftsmäßig entsprechend der gültigen nationalen Gesetzgebung für elektrische/elektronische Produkte, recycelt werden muss. Bei Zweifel setzen Sie sich bitte mit Ihrem Fachhändler in Verbindung.



Veuillez noter qu'en cas de destruction, ce produit doit bénéficier d'un recyclage sécurisé, conforme à la législation nationale applicable aux produits électriques/électroniques. En cas de doute, veuillez contacter votre distributeur agréé.

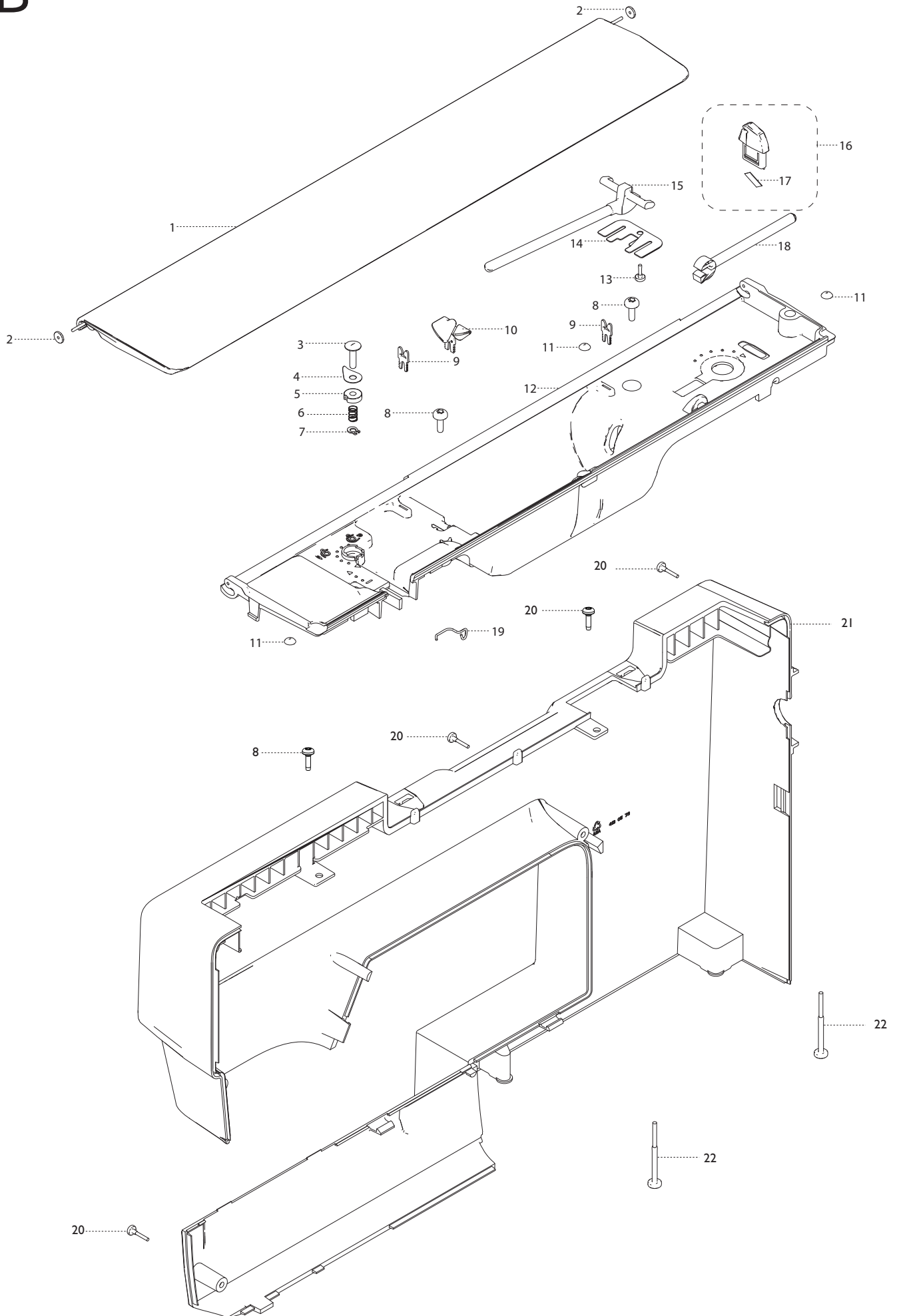
- All casted parts within our products are marked with name of material if allowed by size.
- All molded plastic parts within our products are marked with name of material if allowed by size.

A



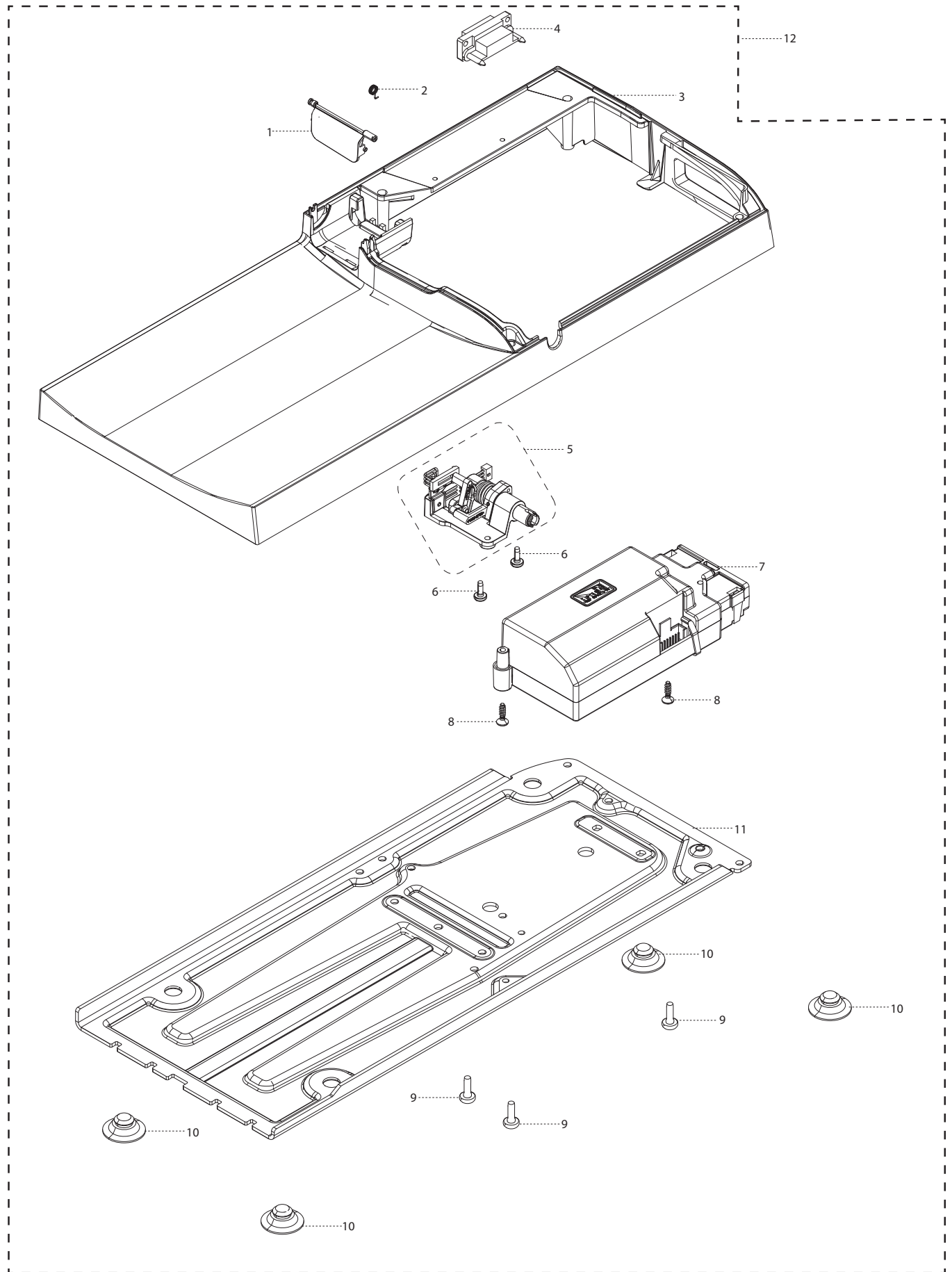
POS	PART NUMBER	DESCRIPTION
1	413163001	COOLING TAPE
2	413133001	LED HOLDER C
3	413271401	LED UNIT
4	413055801	LED GLASS
5	413224501	PC BOARD
6	413268101	LIGHT SHIELD
7	413314101	BOM CAPACITIVE BUTTON
8	412281904	SCREW FLANGE M4x10 TAPTTTE TORX
9	413284302	FRONT COVER AND FRONT PANEL
10	413068801	THREAD GUIDE
11	412423701	THREAD CUTTER
12	413066101	KNIFE BRACKET
13	411966803	SCREW PT 30*12 FZB TORX
14	413309202	SEWING HEAD COVER CPL.
15	413308802	GUIDE, CPL.
16	411966801	SCREW PT 30*7,5 FZB TORX
17	412546925	CABLE ASSEMBLY (6P)
18	413224201	PC BOARD
19	413199902	REVERSE BUTTON APF197
20	413233501	BUSH SEAL
21	411966812	SCREW PT 40*40FZB TORX
22	9303311855000	SCREW 3x8
23	413220801	BRACKET STYLUS
24	413163702	LED, CPL.
25	413176501	THREAD SENSOR ASSEMBLY
26	413202101	THREAD SENSOR ASSEMBLY
27	413177401	SENSOR THREAD TAKE- UP DEVICE
28	413177001	ADJUSTING SLEEVE- INNER PART
29	413177201	CHECK SPRING 2
30	413177301	SAFETY SPRING
31	413177101	CHECK SPRING 1
32	413178001	THREAD GUIDE- UPPER
33	413176701	THREAD GUIDE- LOWER
34	413150401	CONTACT SPRING, GROUND
35	413369401	CONNECTOR BOARD, DISPLAY
36	413265901	CABLE ASSEMBLY
37	413050001	LOUDSPEAKER BOX CPL
38	413268302	DISPLAY BRACKET
39	413188601	FERRITE
40	411966820	SCREW 30x10 FZB KOMBITORX
41	413369201	DISPLAY
42	412799125	FRICITION TAPE
43	412799122	FRICITION TAPE
44	413124402	TOUCH PANEL
45	413358606	CABLE ASSEMBLY (20P)
46	413358605	CABLE ASSEMBLY (34 P)
47	413146401	CABLE, DISPLAY

B



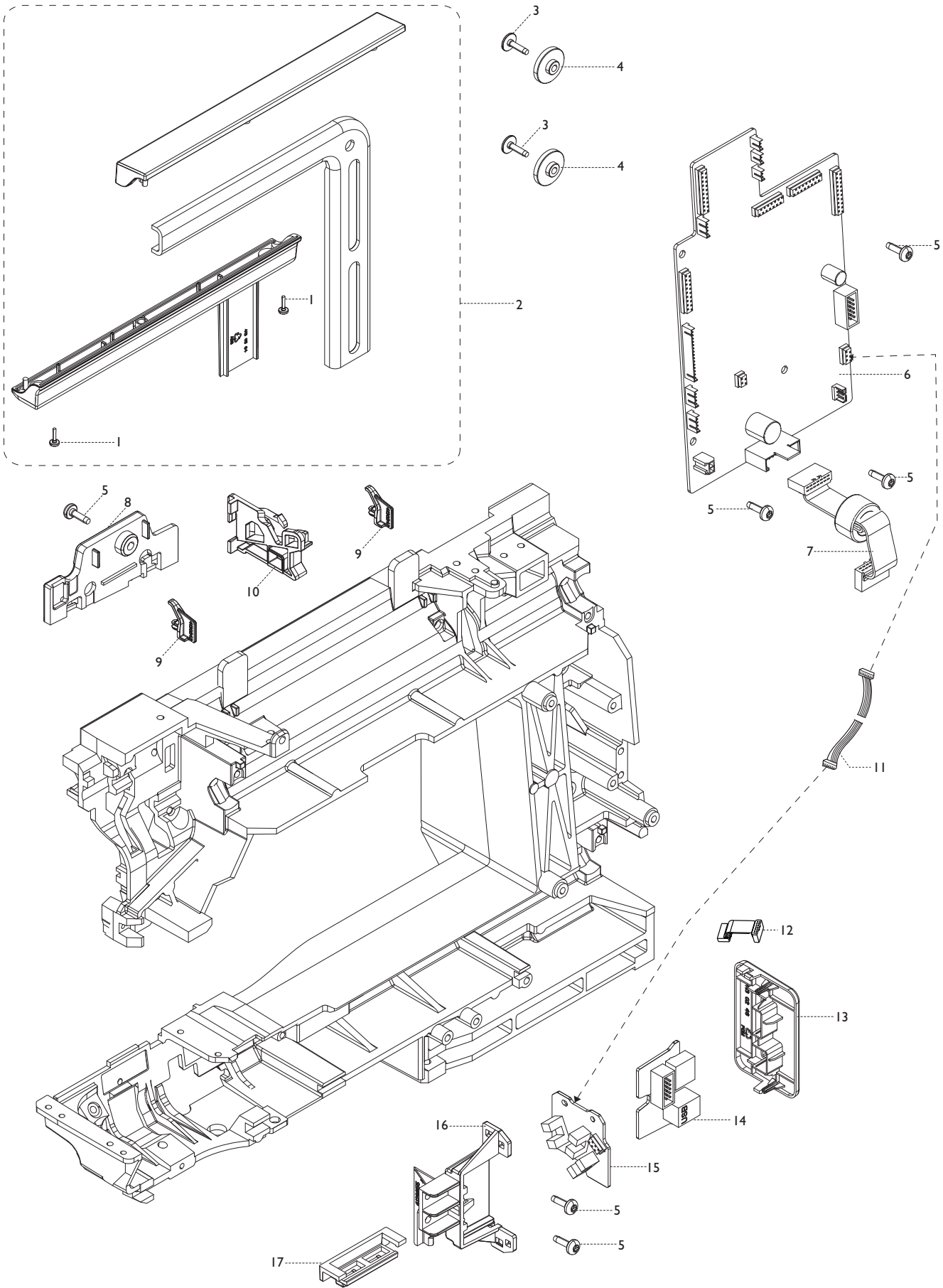
POS	PART NUMBER	DESCRIPTION
1	413052901	LID
2	413139901	BUSHING
3	9303017435000	GUIDE PIN
4	9303906805000	THREAD GUIDE, BOBBIN WINDER
5	9303205025000	THREAD GUIDE
6	9304006005000	SPRING
7	1261814045000	RING PN 12618-3,5
8	412056005	SCREW TAPITTE M4x10 TORX
9	413060201	THREAD GUIDE
10	413190001	THREAD GUIDE, CPL.
11	412569701	DAMPER
12	413308201	TOP COVER
13	411966801	SCREW PT 30x7,5 FZB TORX
14	412735201	PLATE SPRING
15	413064501	REEL PIN
16	413022501	COVER THREADKNIFE CPL WIN. AV.
17	412423701	THREAD CUTTER
18	412960401	THREAD REEL PIN
19	413064602	THREAD GUIDE
20	411966803	SCREW PT 30*12 FZB TORX
21	413057301	BACK COVER
22	411966813	SCREW PT 40*50 FZB
22	413093115	SCALE STITCH DISPLAY CS PRO

C



POS	PART NUMBER	DESCRIPTION
1	413052502	LID XY UNIT
2	413068601	TORSION SPRING
3	413034703	BOTTOM COVER
4	413092602	CABLE ASSEMBLY XY SEW.MACHINE
5	413050201	KNEE LIFT, CPL.
6	412056005	SCREW TAPITTE M4*10 TORX
7	413390102	POWER SUPPLY
8	411967107	SCREW PT FD 40*35 FZB TORX
9	412056001	SCREW TAPITTE M5*14
10	412305001	RUBBER FOOT BASE PLATE
11	412954501	BOTTOM PLATE
12	413186307	BOTTOM COVER COMPLETE

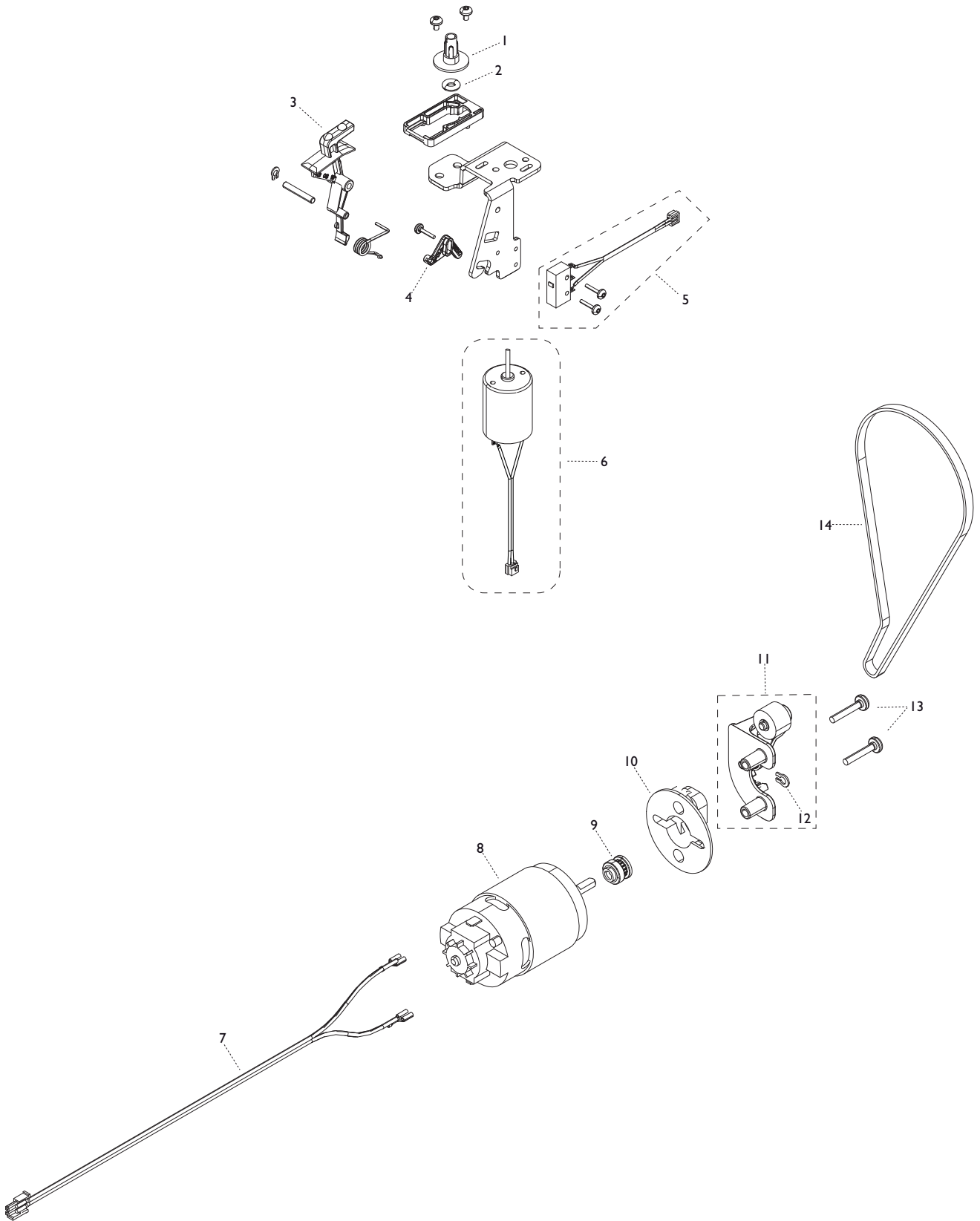
D



POS	PART NUMBER	DESCRIPTION
1	411966820	SCREW 30x10 FZB KOMBITORX
2	413056101	HANDLE PART, CPL. PFAFF
3	413169401	COLLAR SCREW TT TORX 4x14
4	413056501	BUSHING, HANDLE PFAFF
5	412056006	SCREW TAPITTE M4x12 TORX
6	413369746	CONTROL BOARD
7	412349704	CABLE TRANSF-CONTROL BOARD
8	413063901	CABLE SHIELD
9	413024201	CABLE CLAMP
10	413024101	CABLE LOCATOR
11	412546913	CABLE ASSEMBLY
12	413108801	CABLE USB
13	413024601	COVER, USB DUAL, PFAFF
14	413024401	USB BOARD DUAL, CPL.
15	412986401	SENSOR BOARD, ASS.
16	412985502	HOLDER
17	413075601	CABLE LOCATOR

D

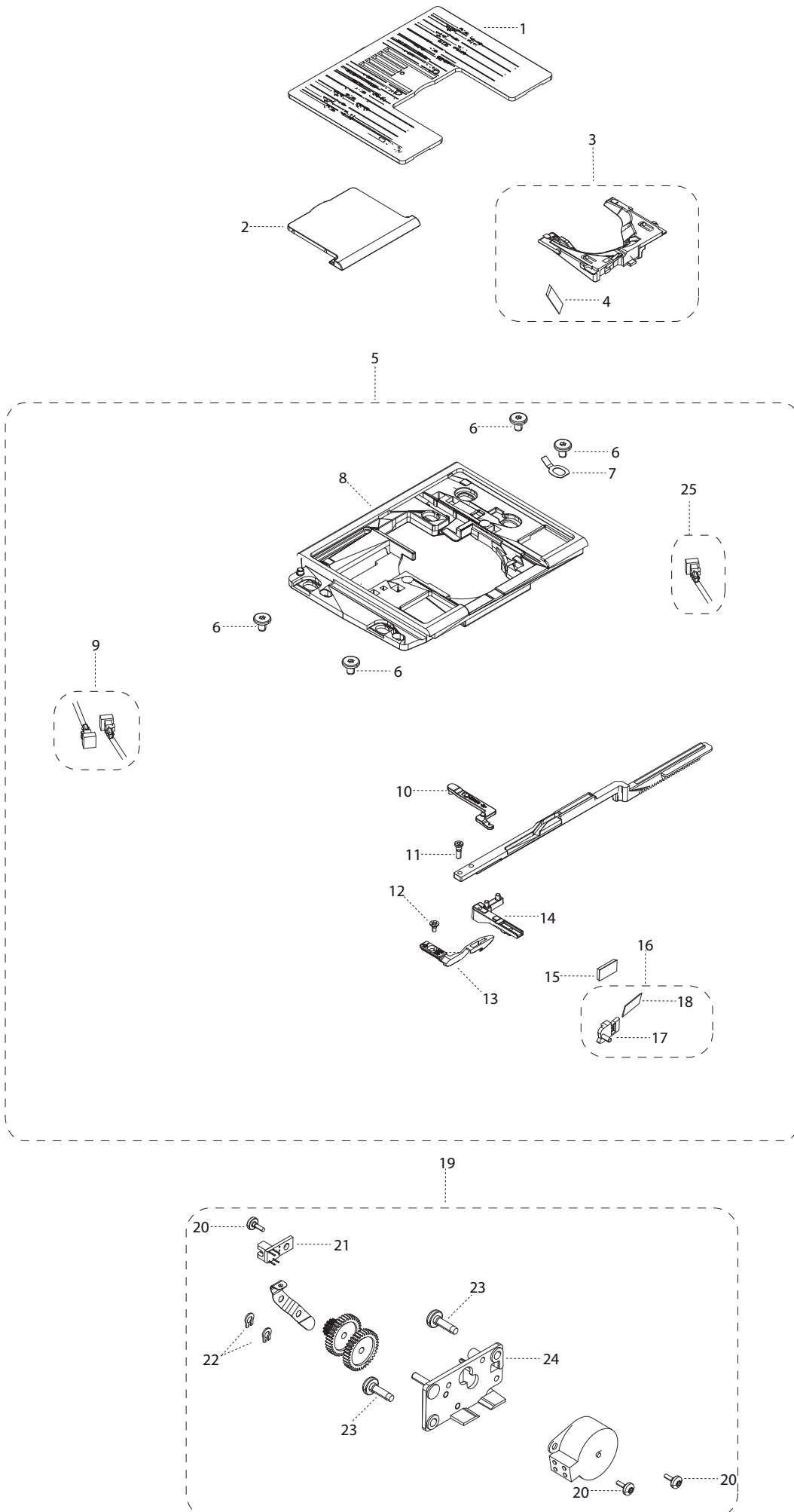
E



POS	PART NUMBER	DESCRIPTION
1	413062101	WINDING SHAFT
2	412305502	O- RING
3	413061901	BOBBIN WINDER LEVER
4	413024701	SWITCH LEVER, WINDER
5	413049102	MICRO SWITCH, CPL.
6	413093001	BOBBIN WINDING MOTOR, CPL.
7	413056901	CABLE MAIN MOTOR
8	9233011191000	MAIN MOTOR
9	412353302	DRIVING WHEEL MOTOR
10	412999902	RUBBER DAMPER, MOTOR
11	412971902	BELT STRETCHER, CPL.
12	735613640	COMPRESSION RING 4MM
13	412211415	SCREW M4*20 TORX
14	413020201	COG BELT MOTOR

E

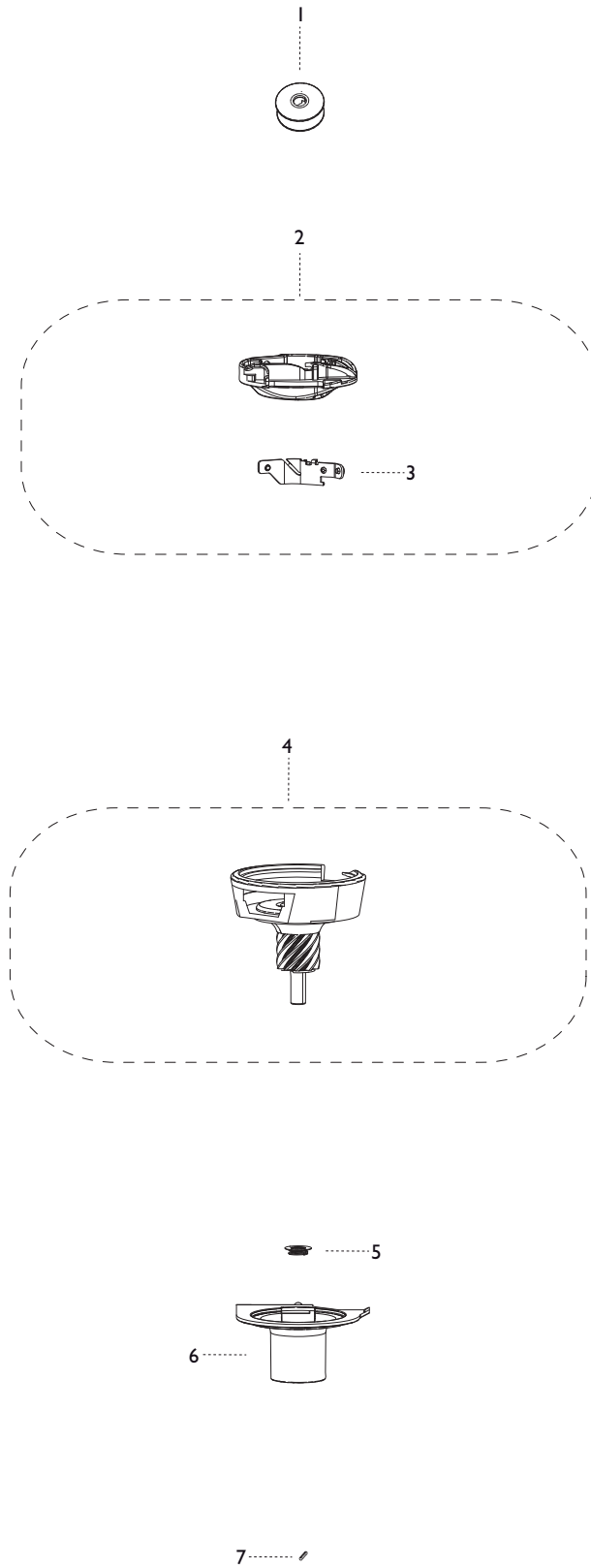
F



POS	PART NUMBER	DESCRIPTION
1	412964305	STITCH PLATE PFAFF INCH/MM
2	412963901	BOBBIN COVER
3	413025601	RETAINER
4	412423701	THREAD CUTTER
5	412964004	HOOK COVER CPL ST.PLATE SENSOR
6	412287903	SCREW
7	412997701	ESD SPRING, STITCH PLATE
8	412964105	HOOK COVER
9	413101502	CABLE ASS.BOBBIN SENSOR
10	413007301	FETCHER UPPER THREAD
11	413010001	GUIDE PIN
12	412280501	SCREW, COUNTERSUNK
13	413007101	FETCHER
14	413072201	CONNECTING PART, FETCHER
15	413116701	THREAD BRAKE
16	413047301	KNIFE HOLDER, CPL.
17	413007701	KNIFE HOLDER
18	412423701	THREAD CUTTER
19	413007401	STEPPING MOTOR, CPL.
20	411966828	SCREW PT 30*6 FZB TORX
21	413072501	CUT SENSOR ASS.
22	735612440	COMPRESSION RINGS 3mm
23	412056006	SCREW TAPITTE M4*12 TORX
23	412056006	SCREW TAPITTE M4*12 TORX
24	413007502	MOTOR PLATE, CPL.
25	413272501	STITCH PLATE SENSOR ASS.

F

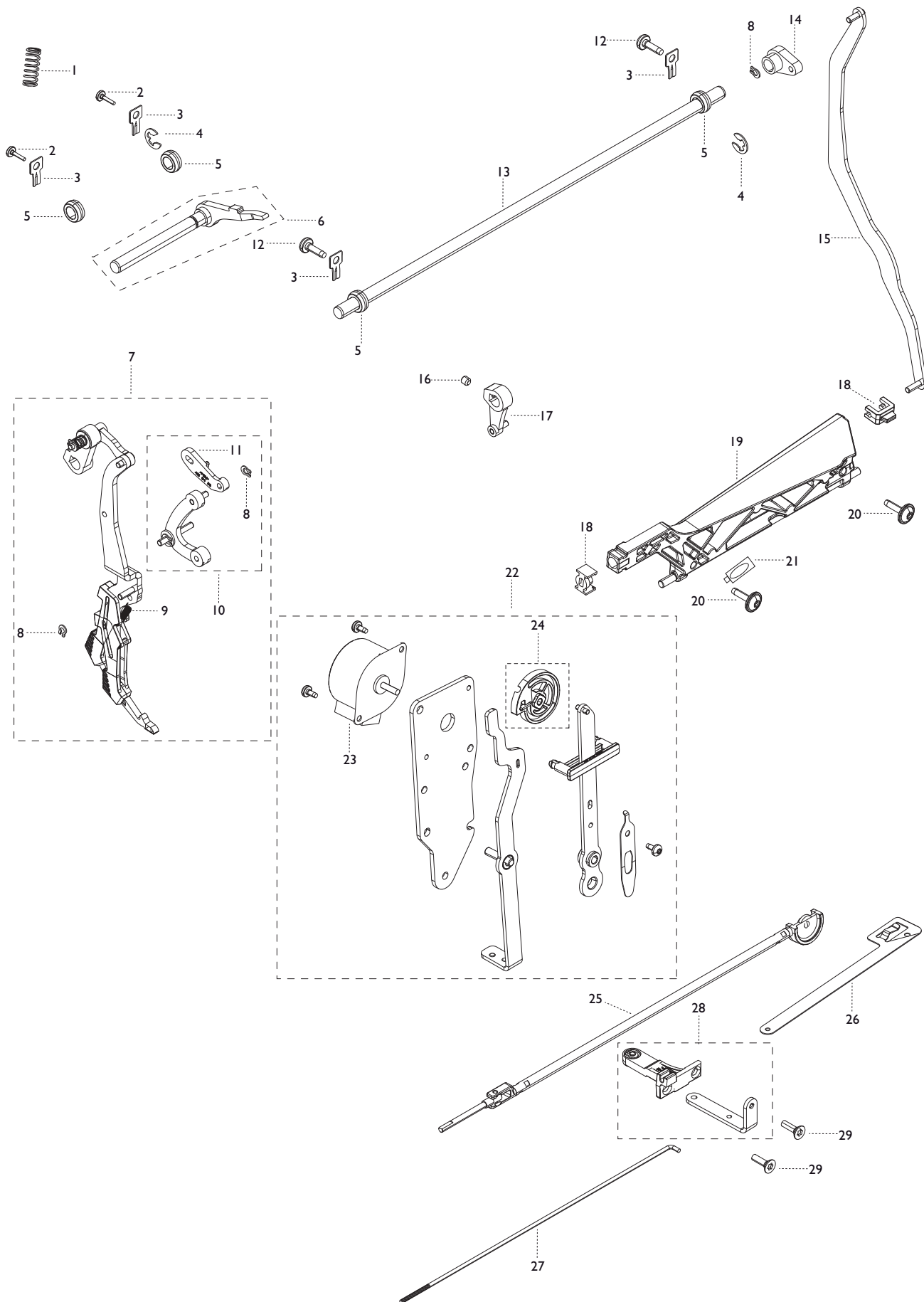
G



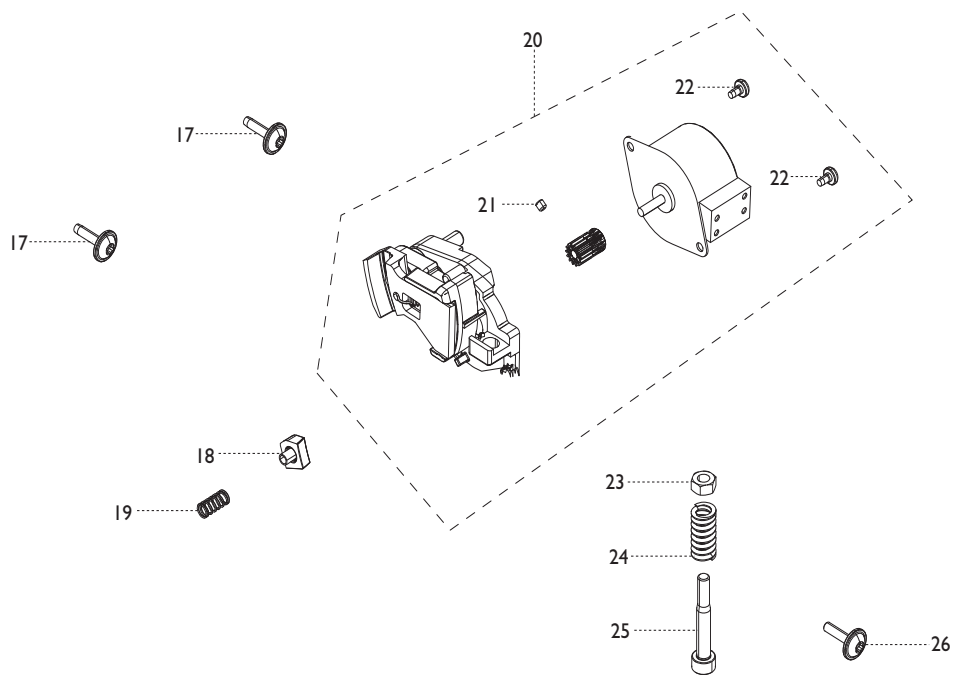
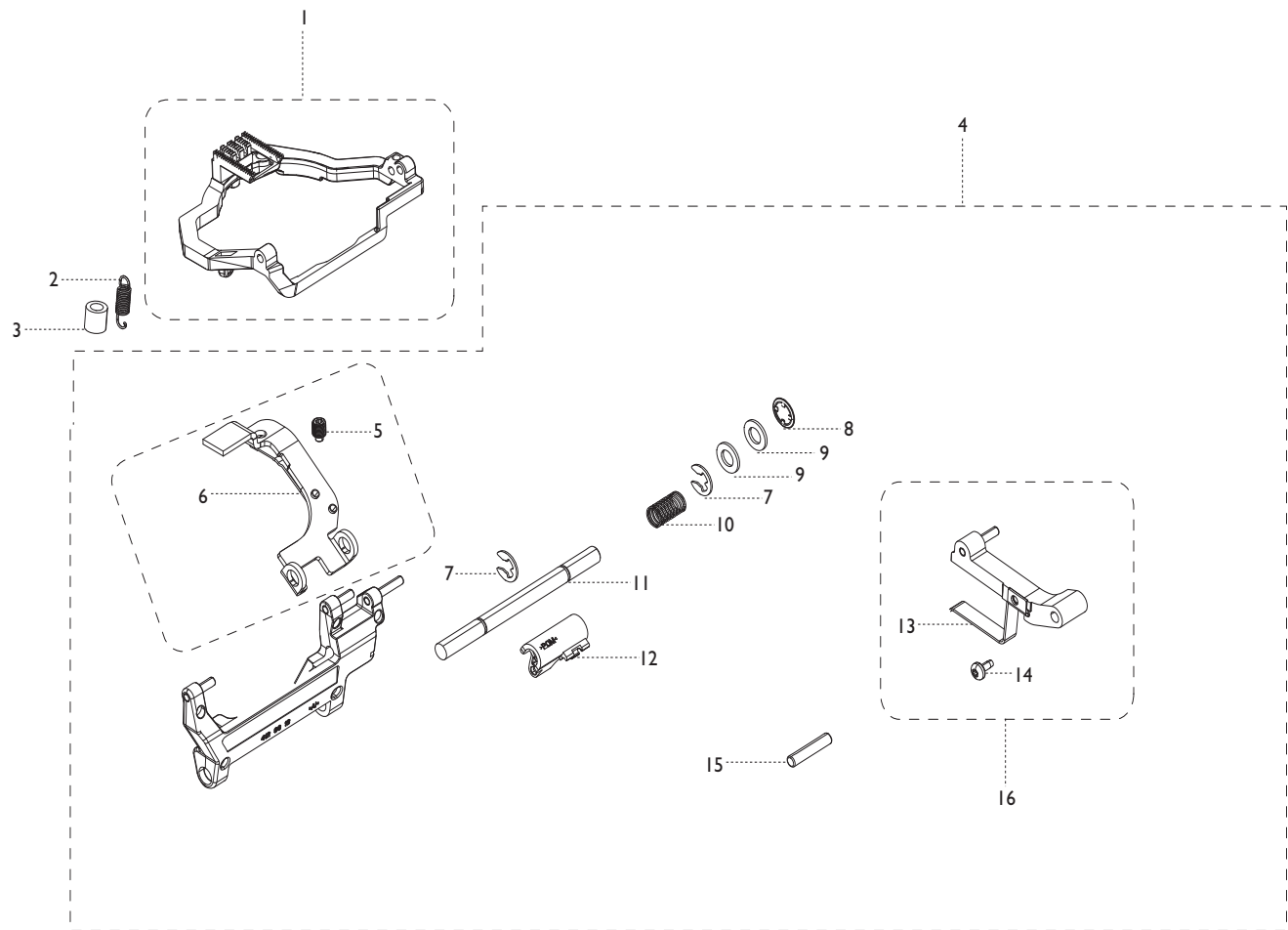
POS	PART NUMBER	DESCRIPTION
1	820921096	BOBBINS, CPL. PF. GREY 10-P
2	413058903	BOBBIN CASE, CPL. EXCEPT BOBBIN
3	412471601	THREAD TENSION, CPL.
4	412876902	HOOK, CPL. WITH SHAFT
5	412930101	SPRING, HOOK
6	412964502	DUST COVER
7	728528705	SCREW M4x8

G

H

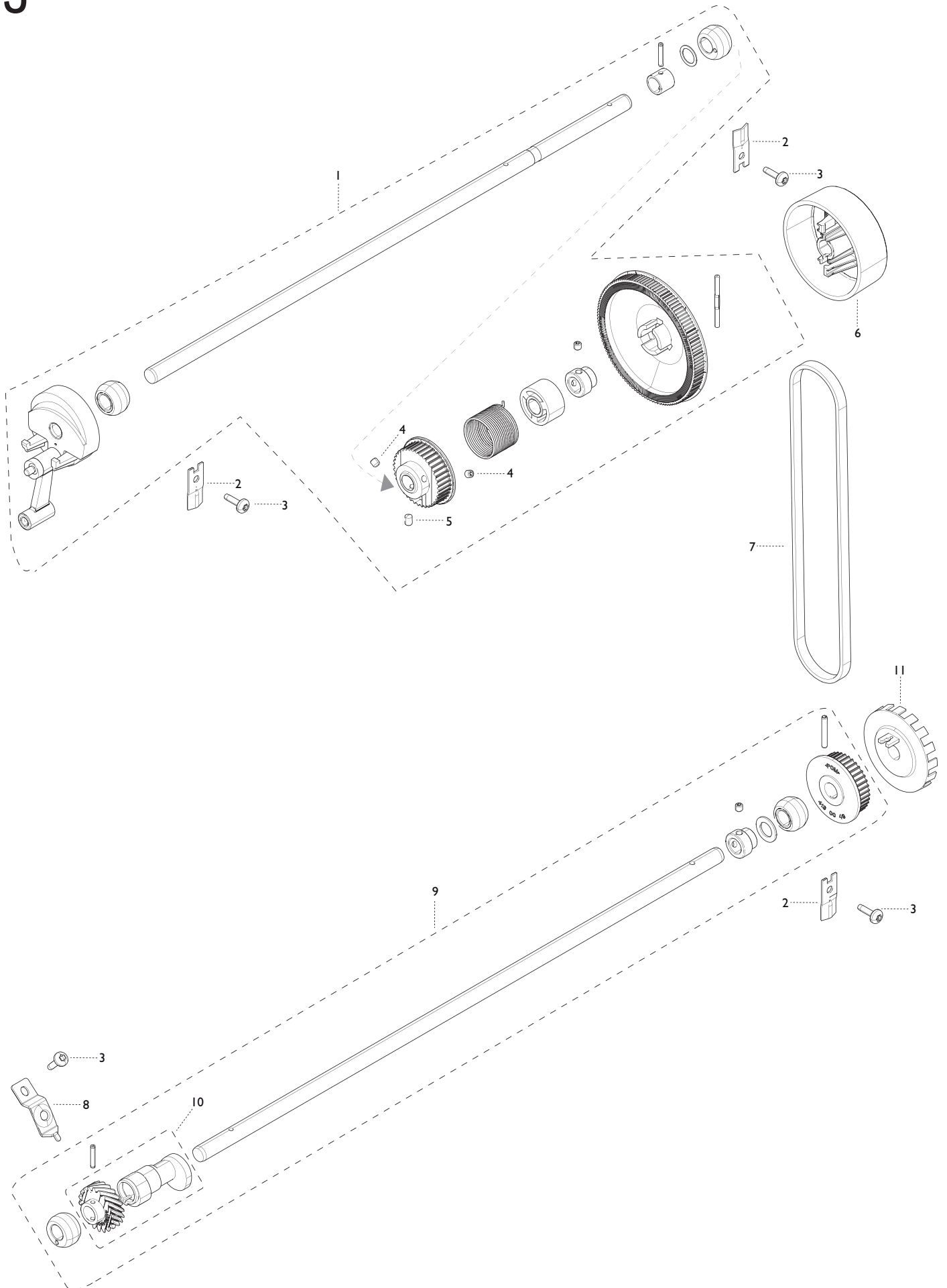


POS	PART NUMBER	DESCRIPTION
1	413065901	COMPRESSION SPRING, HEIGHT CAM
2	411966820	SCREW 30*10 FZB KOMBITORX
3	413042901	CLAMP, IDT
4	735310920	SNAP RING E-5
5	413042601	BEARING, IDT
6	413065701	HEIGHT SHAFT, IDT, CPL.
7	413043201	ARM, IDT, CPL.
8	735612440	COMPRESSION RINGS 3mm
9	413043101	COMPRESSION SPRING
10	413140801	TOGGLE LINK, IDT, CPL.
11	413043601	LOWER SLEWING BRACKET, IDT
12	412056005	SCREW TAPTITE M4*10 TORX
13	413042401	SHAFT UPPER, IDT
14	413042501	REAR CRANK, IDT
15	413043001	LINK IDT, LONG
16	411968706	SET SCREW FLAT, M4x4 TORX
17	413046201	HEIGHT CRANK, IDT, CPL.
18	413042201	FEEDER BEARING, IDT
19	413041901	CONNECTOR FEEDER, IDT
20	413169401	COLLAR SCREW TT TORX 4*14
21	413140701	CLAMP SHAFT, IDT
22	413060001	SIDE FEED, FEED DOG FROP CPL
23	412997902	STEPPING MOTOR, SIDE FEED
24	413060101	CAM WHEEL, CPL.
25	413033701	PULL ROD, SIDE FEED, CPL.
26	413033401	TRANSM. LINKAGE, FEED DOG DROP
27	413034101	PULL WIRE, FEED DOG DROP
28	413034501	LINKAGE UNIT, FEED DROP
29	411967212	SCREW TAPTITE FS M4x12 TORX



POS	PART NUMBER	DESCRIPTION
1	413201303	FEED DOG, CPL.
2	413270001	TENSION SPRING, FRAME FEED DOG
3	413112601	BUFFER
4	413269007	CARRAGE FEED, CPL.
5	413201201	ADJUSTMENT SCREW, FEEDER
6	413200901	LEVEL FEED LIFT, CPL.
7	735310920	SNAP RING E-5
8	412368001	LOCK WASHER
9	412829103	WASHER FEED UNIT
10	412962501	SPRING FEED DOG LOWERING
11	412962301	SHAFT, FEED
12	413034201	INSERT, LEVER FEED LIFT
13	412961501	SPRING FEED
14	412056004	SCREW TAPITTE M3*6 TORX
15	412316023	INA PIN NRB 4*19,8 0-2µm
16	412961601	LINK, CARRIAGE FEED, CPL.
17	413169401	COLLAR SCREW TT TORX 4*14
18	412961801	BLOCK, GUIDE
19	412961701	SPRING, SLIDING BLOCK
20	412963501	STEPPING MOTOR UNIT, FEED
21	411968703	SET SCREW FLAT, M3x3 TORX
22	412056011	SCREW TAPITTE M3*5 TORX
23	413025401	NUT M5x0,5
24	412963601	SPRING
25	412963701	SCREW BALANCE ADJUSTMENT
26	413034402	COLLAR SCREW M4x10,LEFT HAND

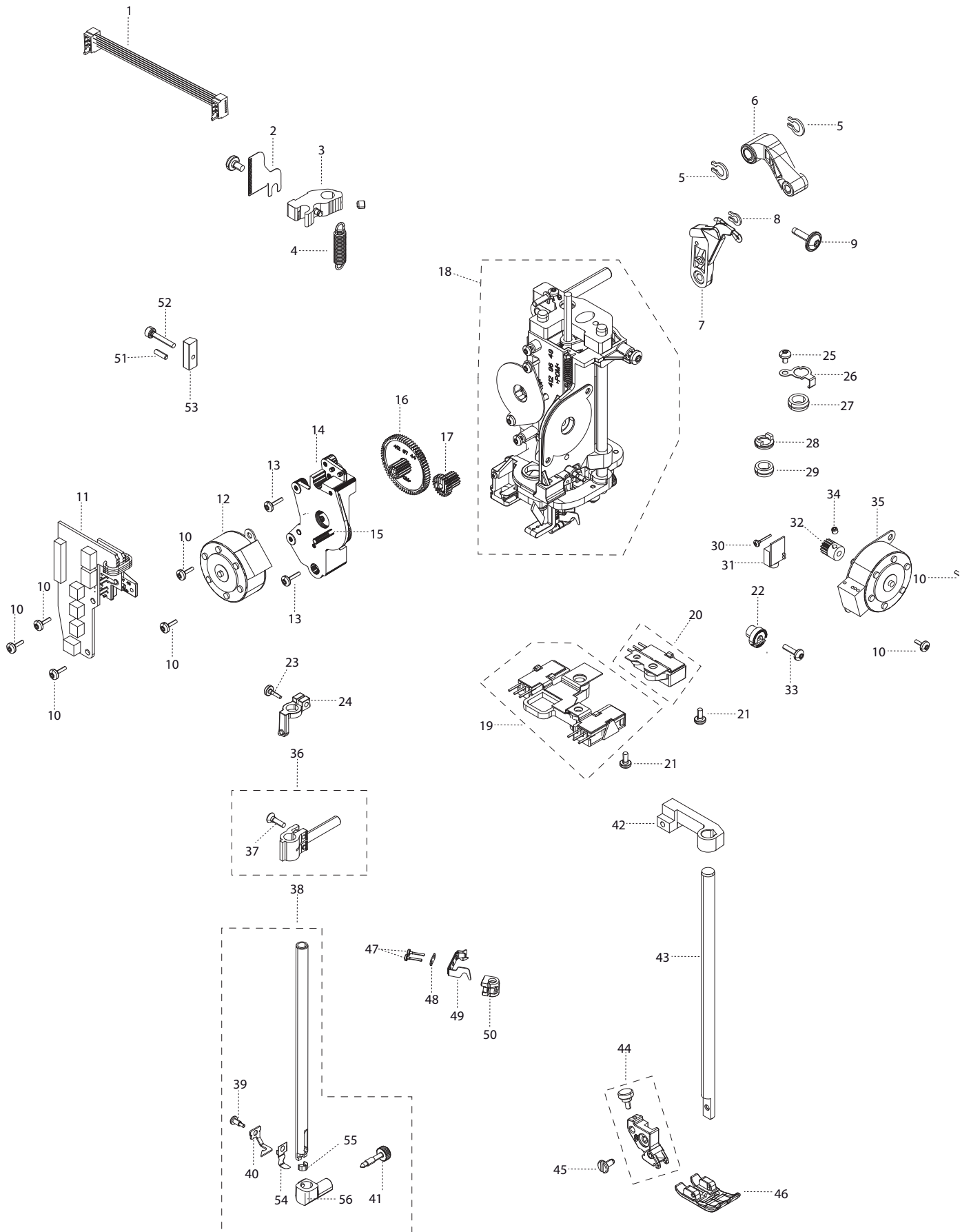
J



POS	PART NUMBER	DESCRIPTION
1	412966707	UPPER SHAFT, CPL.
2	412328401	CLAMP
3	412056006	SCREW TAPITTE M4*12 TORX
4	411968706	SET SCREW FLAT, M4x4 TORX
5	411968807	SET SCREW POINTED, M4x6 TORX
6	413040301	HAND WHEEL APF
7	413020301	COG BELT UPPER-LOWERSHAFT
8	412318101	CLAMP LOWER SHAFT
9	412967902	LOWER SHAFT, CPL.
10	412964402	ECCENTRIC FEED, CPL.
11	412968101	SHIELD, REVOLUTION INDICATOR

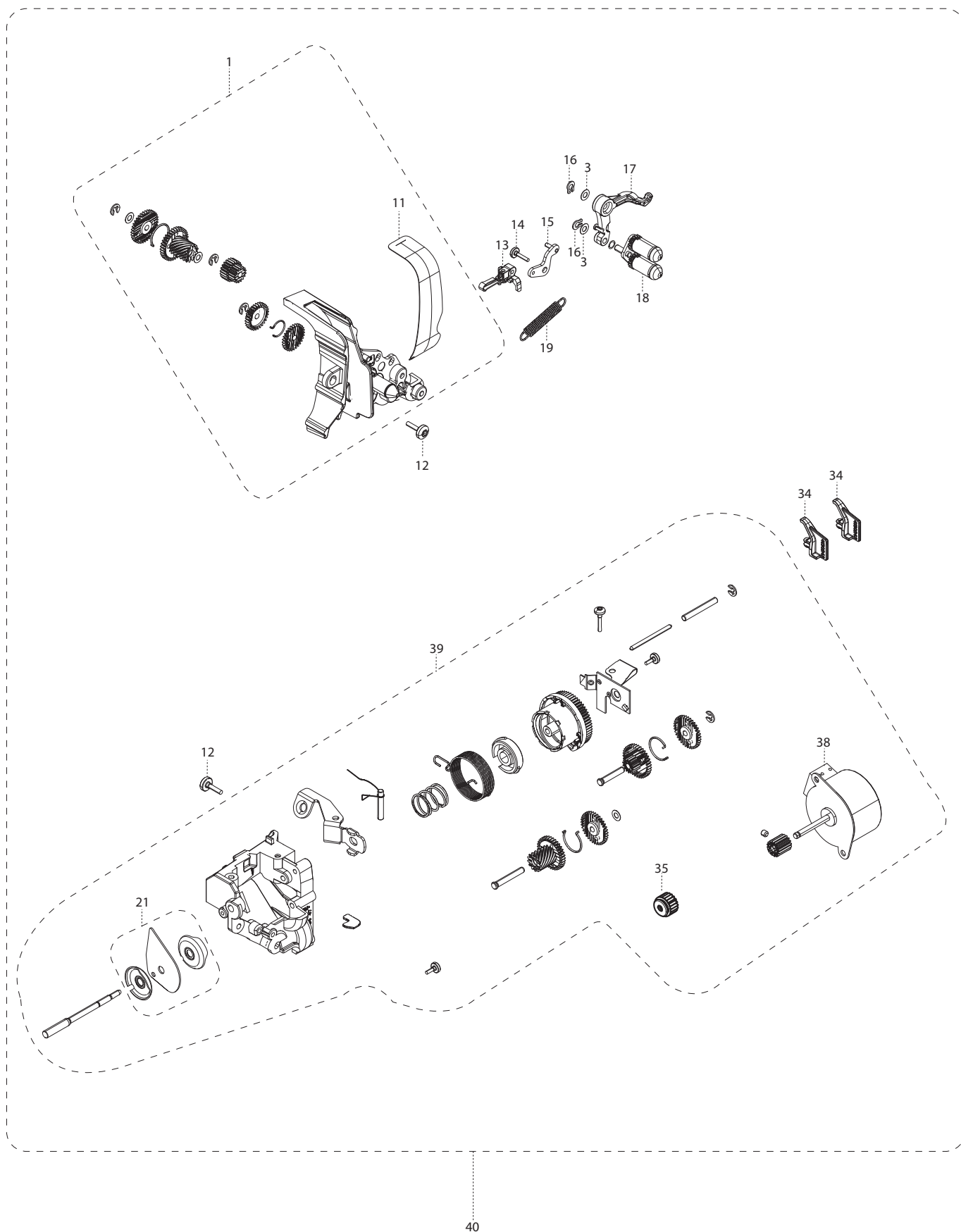
J

K



POS	PART NUMBER	DESCRIPTION
1	412546912	CABLE ASSEMBLY (18PIN)
2	412973901	SHIELD, PRESSERFOOT SERVO
3	413261601	GUIDE, SERVO, CPL.
4	413137602	SPRING, PRESSER FOOT PRESSURE
5	735615340	COMPRESSION RINGS Ø6
6	413047401	LINK
7	413300302	TAKE UP LEVER
8	735613640	COMPRESSION RINGS Ø4
9	412281902	COLLAR SCREW TT TORX 4*14
10	411966801	SCREW PT 30*7,5 FZB TORX
11	413067003	CONN.BOARD SERVO SENS.
12	413005901	STEPPING MOTOR, CPL.
13	411966820	SCREW 30*10 FZB KOMBITORX
14	412974201	GEARHOUSE, SERVO
15	412316010	INA PIN NRB 3*17,8 O-3 um
16	412974401	GEARWHEEL SERVO SEC
17	412974301	GEARWHEEL SERVO PRIM
18	413244201	SEWING HEAD CPL A HV/PF SPARE
19	413040202	LED HOLDER COMPL, LEFT
20	413040102	LED HOLDER COMPL, RIGHT
21	412211402	SCREW M3*6 TORX
22	412966501	CALIBRATION KNOB
23	413019001	SCREW K 30x8 PT WN 1452 S
24	412993501	STROKE LIMITER
25	412211401	SCREW M3*4 TORX
26	413060301	CLIPS, GABLE LOWER
27	412500601	BEARING
28	412501501	BEARING 10/6, 35-4
29	412504701	LOCKING DEVICE
30	411966821	SCREW PT 18*10 FZB TORX
31	413031001	BUTTONSENS CONN.ASS.
32	413057201	GEAR, Z-Z
33	412211404	SCREW M3*10 TORX
34	411968703	SET SCREW FLAT, M3x3 TORX
35	412993901	STEPPING MOTOR
36	412993604	CROSS HEAD, CPL.
37	412280504	SCREW FS M3*10 FZB TORX
38	413242501	NEEDLE BAR, CPL.
39	413094701	SCREW THREAD GUIDE
40	413228201	THREAD GUIDE
41	413372901	NEEDLE SCREW
42	413045801	PRESSER BAR GUIDE SERVO, IDT
43	412285403	PRESSER BAR AVANTI
44	413039201	HOLDER PRESSER FOOT, CPL.
45	413040401	SCREW HOLDER PRESSER FOOT
46	820773096	STANDARD PRESSER FOOT W. IDT
47	411966825	SCREW PT 16*8 FZB TORX
48	412876701	WASHER, NEEDLE THREADER
49	413238402	NEEDLE THREADER
50	413053601	HOLDER, NEEDLE THREADER
51	728522205	SOCKET SET SCREW FLAT POINT
52	725522805	SCREW M3x16 INSEX
53	412966601	WEDGE
54	413304201	THREAD LOCK, NEEDLE HOLDER
55	413372601	CLAMPING PIECE
56	413241301	NEEDLE CLAMP

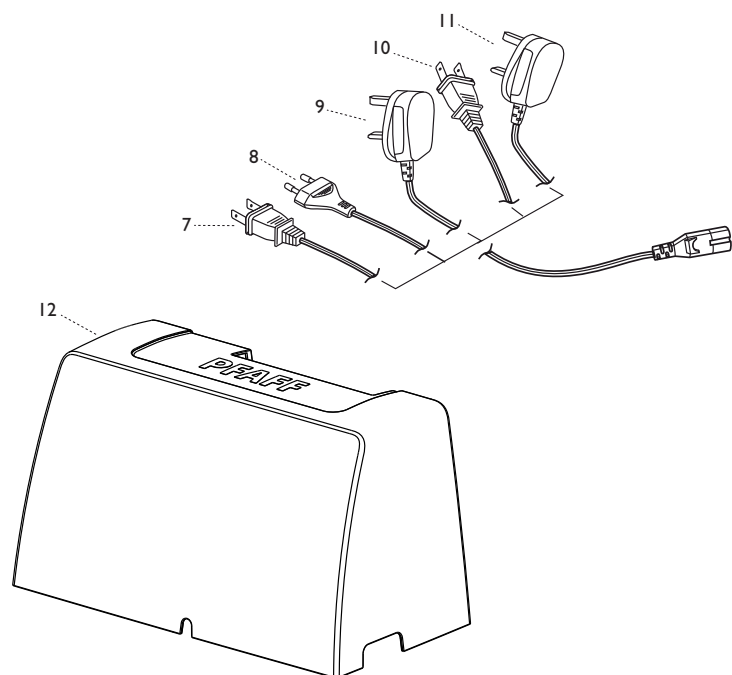
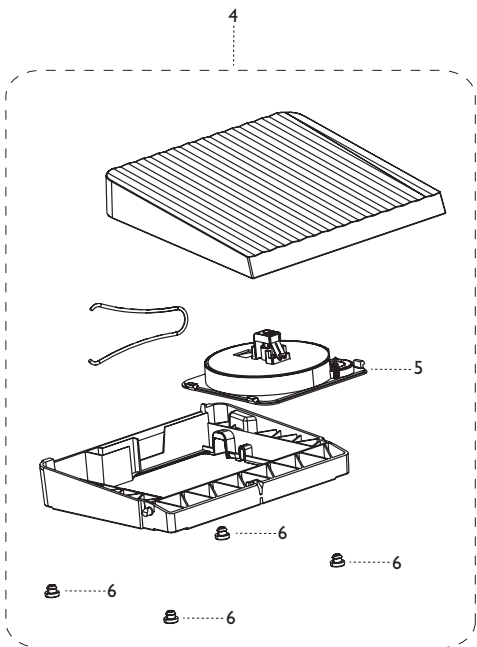
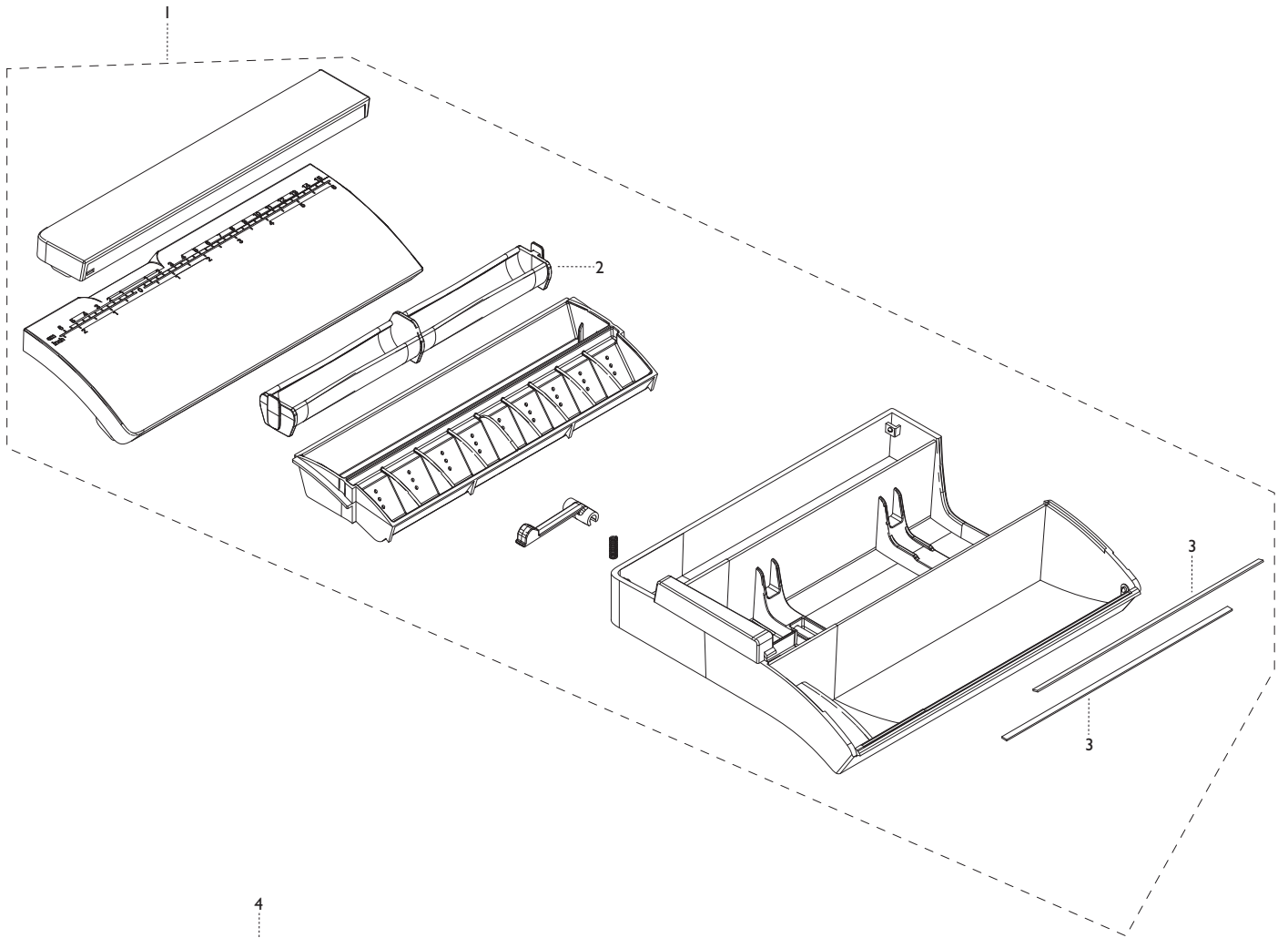
L



POS	PART NUMBER	DESCRIPTION
1	413232202	SHIELD TAKE UP LEVER, ASS.
2	735310620	LOCK WASHER 2.3
3	411967501	PLATE
4	413059202	INTERMEDIATE GEAR, MOVABLE
5	412442801	SPRING GEAR WHEEL
6	413055101	GEAR/HELICAL GEAR
7	413055201	GEAR
8	412880101	GEAR -FIXED
9	412880301	SPRING -GEAR
10	412880201	GEAR -RESILIENT
11	413218502	SEALING, TAKE UP LEVER
12	411966807	SCREW PT 40x10 FZB TORX
13	413264101	GEAR SHIFT BAR, CPL.
14	411966820	SCREW 30x10FZB KOMBITORX
15	413263901	BRACKET, CPL.
16	735612440	COMPRESSION RINGS 3
17	413055301	LEVER
18	412743001	ROCKER ASS.
19	413055501	DRAW SPRING
20	412940101	SHAFT THREAD TENSION
21	413106402	THREAD DISK KIT
22	413320101	THREAD GUIDE
23	412940501	RELEASE LEVER, THREAD TENSION
24	413262401	SPRING RELEASE LEVER
25	413159501	COMPRESSION SPRING, THREAD TENSION
26	413046601	TORSION SPRING, THREAD TENSION
27	412741701	NUT THREAD TENSION
28	413303401	SPRING HOUSING, CPL.
29	413303301	CALIBRATION SENSOR, CPL.
30	411966803	SCREW PT 30X12 FZB TORX
31	411966828	SCREW PT 30x6 FZB TORX
32	413113201	PIN
33	412316060	INA PIN NRB 3x23,8
34	413024201	CABLE CLAMP
35	413264501	GEAR ROLLER CLUTCH, CPL.
36	411968703	SET SCREW FLAT, M3x3 TORX
37	413264401	GEAR
38	413221001	STEPPING MOTOR
39	413112104	THREAD TENSION SUB ASSEMBLY
40	412940210	THREAD TENSION ASSEMBLY, CPL.

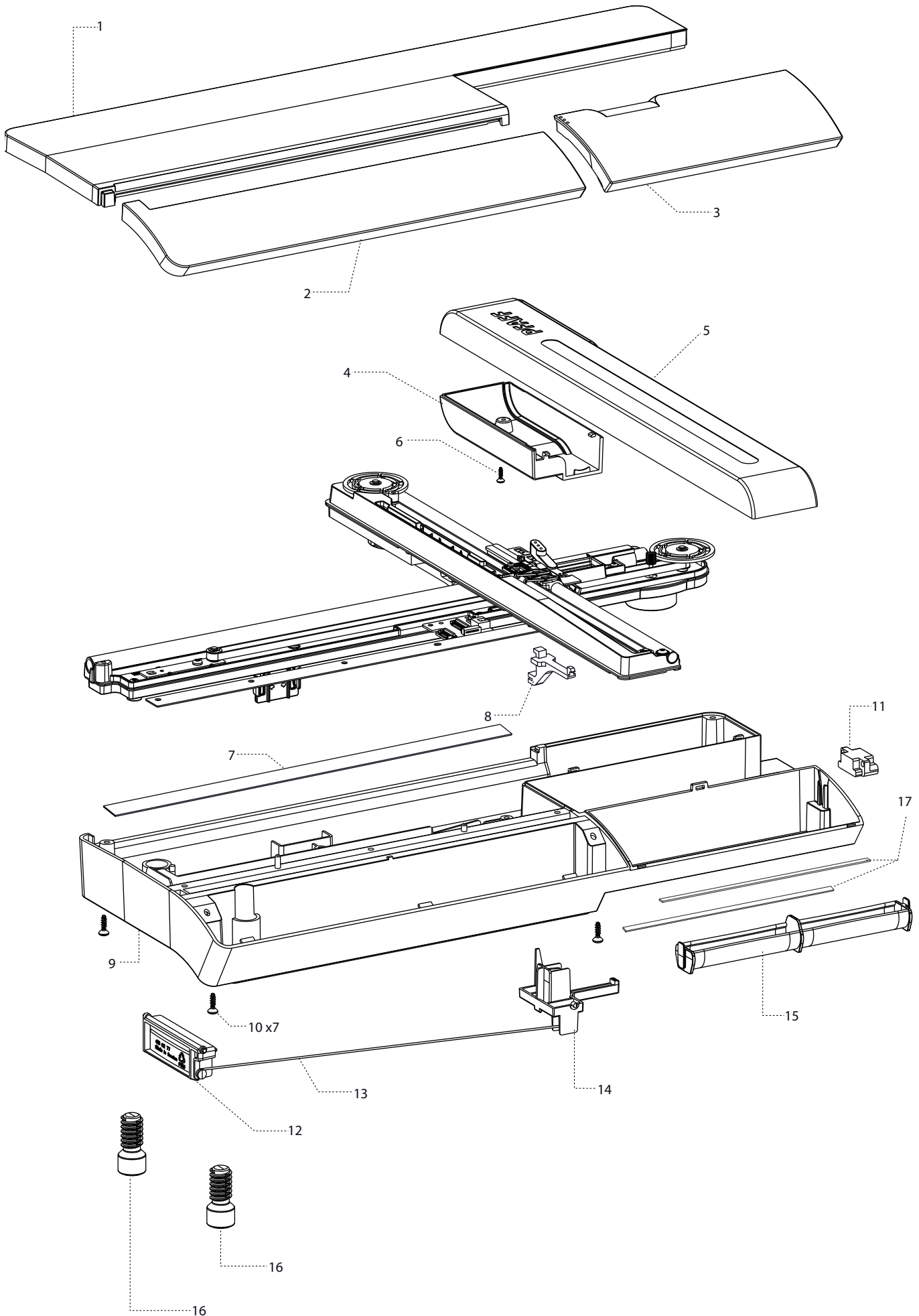
L

M



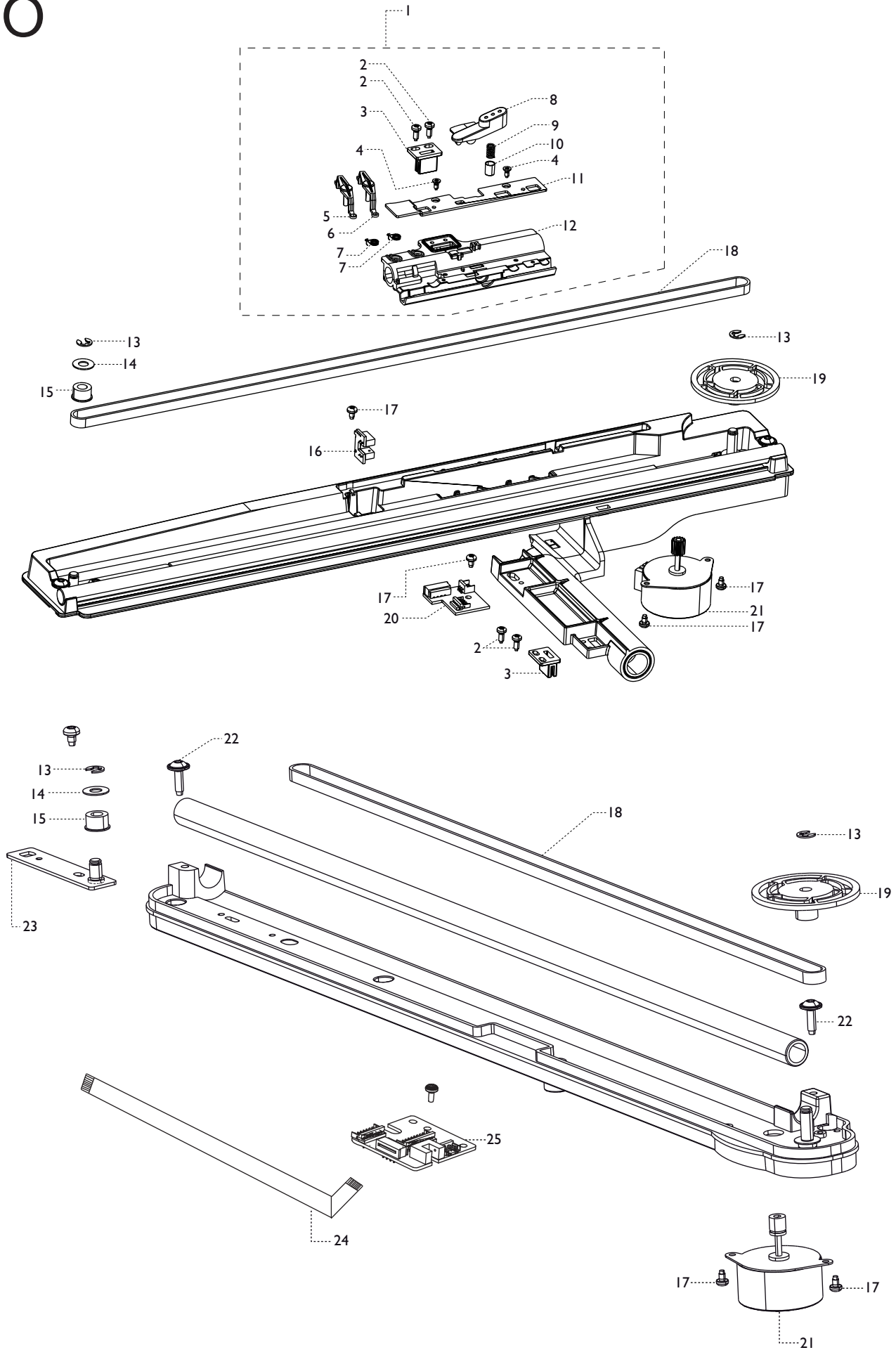
POS	PART NUMBER	DESCRIPTION
1	413083903	ACCES.BOX, CPL. W. SPOOL HOLD.
2	412737401	BOBBIN HOLDER
3	412529702	FRICITION TAPE 18,4 MM
4	412991405	FOOT CONTROL, CPL. BLACK W. WIND
5	412493002	CONTROL UNIT WITH WINDER
6	412184501	FOOT
7	412157903	NET CABLE 120V
8	412157801	NET CABLE 220V
9	412158002	NET CABLE GB
10	412157902	NET CABLE 120V JP
11	412158101	NET CABLE AU
12	413071901	COVER CPL

N



POS	PART NUMBER	DESCRIPTION
1	413028201	COVER, TOP XY- UNIT
2	413028301	COVER, XY - UNIT
3	413028401	LID, XY - UNIT
4	413028001	MOTOR COVER Y - ARM
5	413027901	COVER Y - ARM
6	412056012	SCREW TAPITTE M4*6 TORX
7	413028701	GUIDE, SUPPORT ARM
8	413027501	SUPPORT ARM, Y - ARM
9	413028102	COVER, BOTTOM XY - UNIT BLACK
10	411966807	SCREW PT 40*10 FZB TORX
11	413028801	CABLING, XY - UNIT, CPL.
12	413027701	HANDLE LATCH
13	413027804	CONNECTING ROD, LATCH, X=350
14	413027601	LATCH
15	412737401	BOBBIN HOLDER
16	413028501	FOOT, XY - UNIT, CPL.
17	412529702	FRICITION TAPE 20,1 MM

0

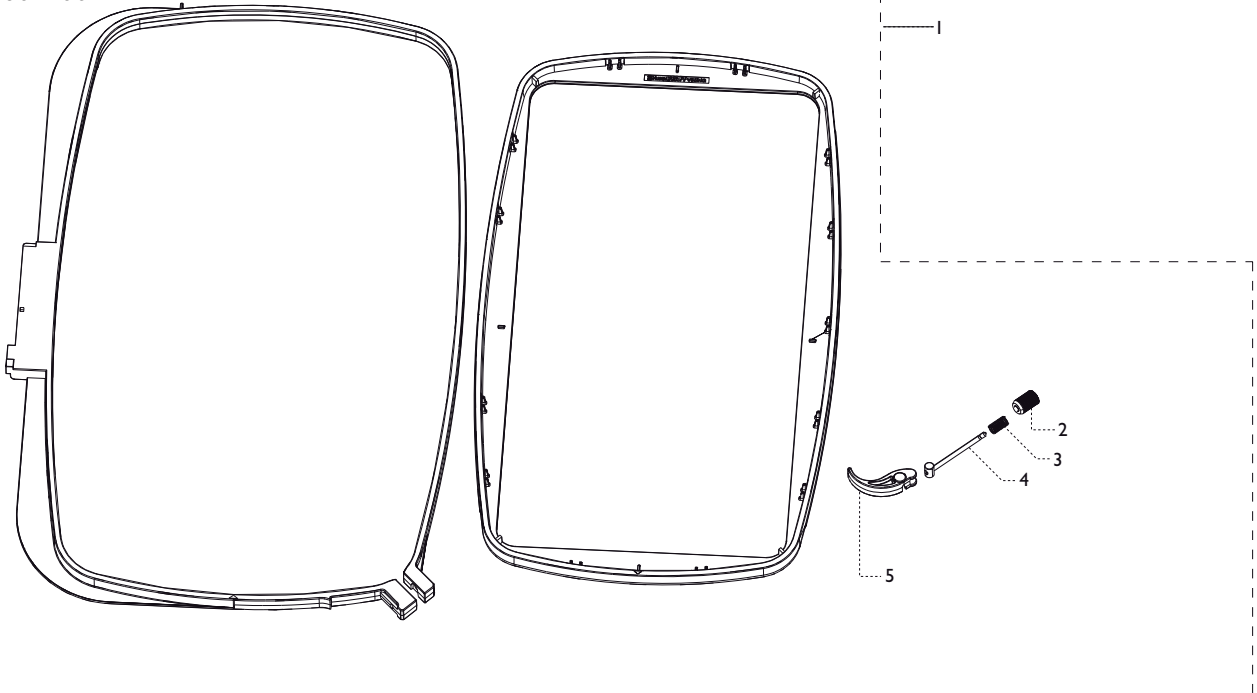


POS	PART NUMBER	DESCRIPTION
1	413026701	Y- SLED, CPL.
2	411966801	SCREW PT 30*7,5 FZB TORX
3	412525301	HOLDER BELT
4	411967306	SCREW PT FS 25x6 OXSV TORX
5	412749801	SENSOR, EMBR.FRAME
6	412525402	SENSOR, EMBR.FRAME
7	412555701	SPRING
8	413030201	LOCKING ARM Y- SLED
9	412526601	SPRING
10	412590003	SLEEVE
11	413026901	PANEL Y- SLED, CPL.
12	413026801	Y- SLED
13	735310820	LOCK WASHER 4
14	412384301	WASHER 6/13 x0,6
15	412384202	COG WHEEL
16	413029601	BOARD, HOOP DETECTION, CPL.
17	412056011	SCREW TAPITTE M3*5 TORX
18	413027201	SYNCHRONOUS BELT XY- UNIT
19	412524601	GEAR WHEEL
20	413029301	BOARD, Y- ARM, CPL.
21	413029901	STEPPER MOTOR, XY- UNIT, CPL.
22	413169401	COLLAR SCREW TT TORX 4*14
23	412524901	PLATE, BELT TENSION, CPL.
24	412388106	FLEX CABLE
25	413029001	BOARD, XY- UNIT, CPL 360x350

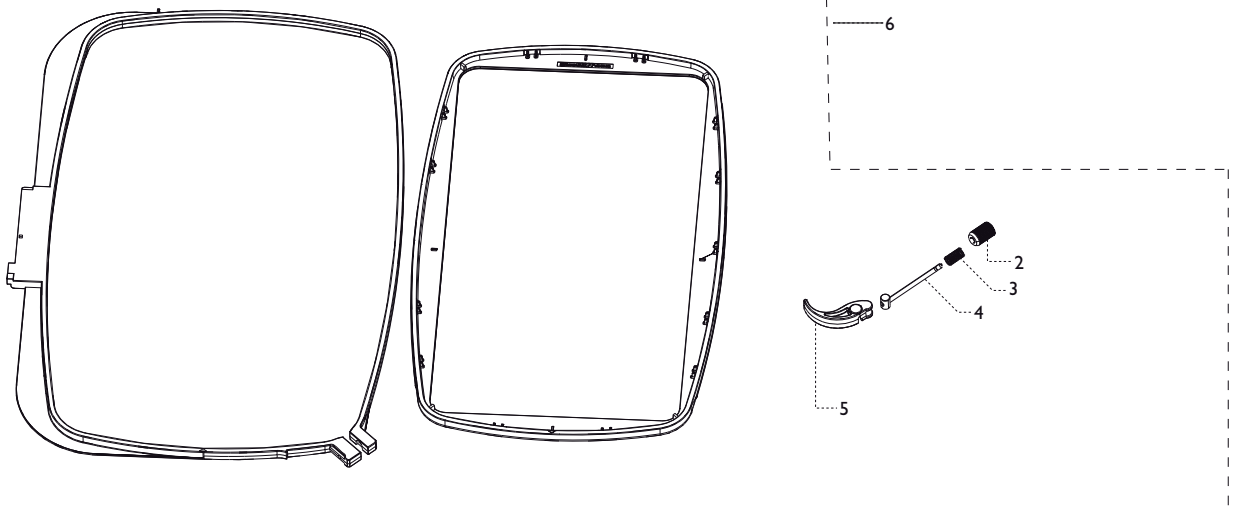


P

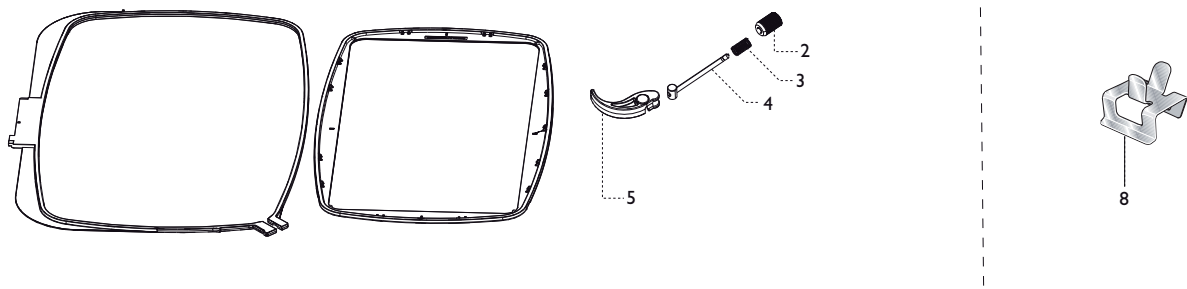
360x200



240x150



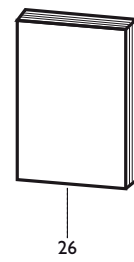
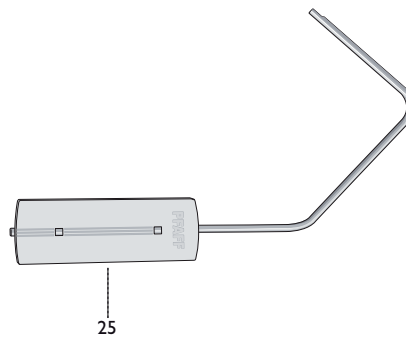
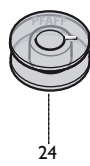
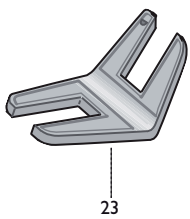
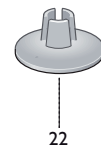
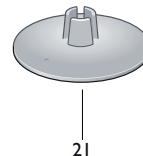
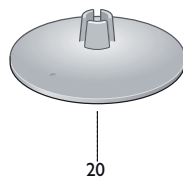
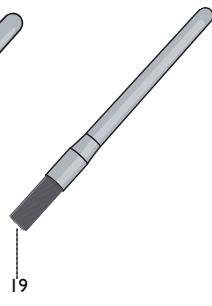
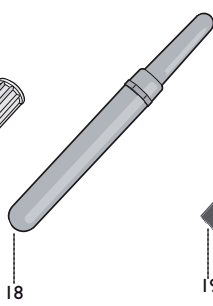
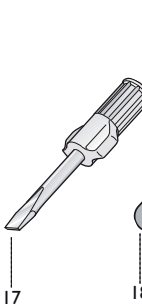
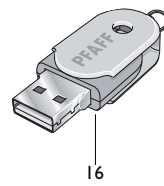
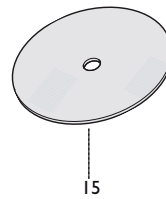
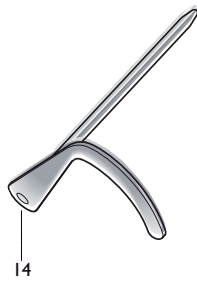
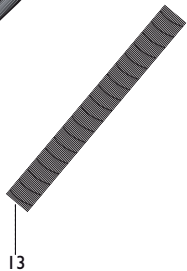
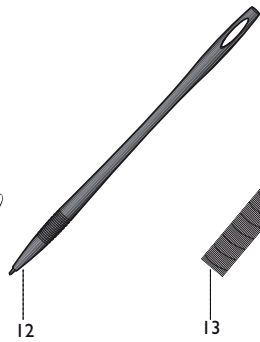
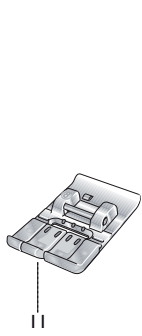
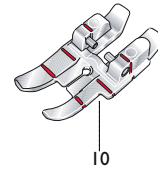
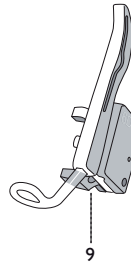
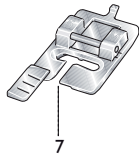
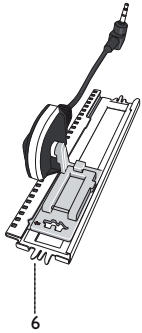
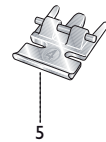
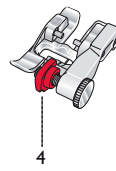
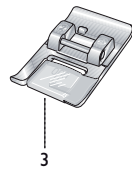
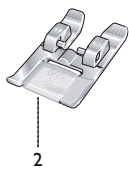
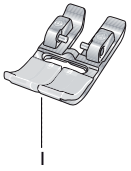
120x120



POS	PART NUMBER	DESCRIPTION
1	412944502	EMBROIDERY FRAME CPL 360x200
2	412996501	NUT EMBR. FRAME
3	412620701	SPRING, EMBROIDERY HOOP
4	412956204	SCREW, CPL,,HOOP
5	412984701	LOCKING HANDLE EMBR.HOOP
6	412968502	EMBROIDERY FRAME CPL 240x150
7	412968202	EMBROIDERY FRAME CPL 120x115
8	413070203	SET OF CLIPS AVANTI 16X

P

Q



POS	PART NUMBER	DESCRIPTION
1	820773096	0A - STANDARD PRESSER FOOT WITH IDT™ SYSTEM
2	820774096	1A - FANCY STITCH FOOT, CPL. IDT
3	413060501	2A - FANCY STITCH FOOT, CPL.
4	820256096	3 - BLINDHEM FOOT, CPL. UPP. FEED
5	820248096	4 - ZIPPER FOOT, CPL.
6	413170301	5A - SENSORMATIC BUTTONHOLE FOOT
7	820672096	5M - MAN. BUTTONHOLE FOOT
8	820671096	6A - EMBR. SENSORMATIC FREE-MOTION FOOT, CPL.
9	413305001	6D - DYNAMIC SPRING FOOT
10	412864906	1/4" QUILTING FOOT WITH IDT™ SYSTEM
11	820778096	8 - MAXI-STITCH FOOT
12	412693405	STYLUS, TRANSPARENT BLACK
13	412397701	THREAD NET 15x100 (2)
14	820251096	EDGE GUIDE
15	412610701	FELT PAD (2)
16	413095708	USB EMBROIDERY STICK 1GB
17	412381501	SCREW DRIVER
18	401539901	SEAM RIPPER
19	413190401	BRUSH
20	413051603	SPOOL CAP, LARGE 45MM (2)
21	413051602	SPOOL CAP, MEDIUM 35MM
22	413051601	SPOOL CAP, SMALL 22MM
23	413105601	CLEARANCE PLATE
24	820921096	BOBBINS, GREY (10)
25	413109701	KNEE-LIFT, CPL.
26	413371201	USER'S GUIDE SWE
26	413371206	USER'S GUIDE DE
26	413371211	USER'S GUIDE FIN
26	413371221	USER'S GUIDE NOR
26	413371226	USER'S GUIDE ENG
26	413371231	USER'S GUIDE FRE
26	413371236	USER'S GUIDE DUT
26	413371241	USER'S GUIDE ITA
26	413371246	USER'S GUIDE SPA
26	413371251	USER'S GUIDE GER
26	413371256	USER'S GUIDE RUS
26	413371276	USER'S GUIDE TUR
27	413317901	MICROFIBER CLOTH CPL.