

# PFAFF

## Creative Performance

### Parts list

Nicht nummerierte Teile im Katalog werden nicht geliefert.

The parts mentioned without number in the parts list are not available.

Les pièces qui ne sont pas numérotées dans la liste de pièces détachées ne peuvent être livrées.

Bei Bestellung von Ersatzteilen muss die Modell-Nr. der Maschine, die Seitenzahl des Kataloges und die Teilenummer angegeben werden.

Prière d'indiquer dans vos commandes de pièces de rechange, le numéro de la machine, le numéro de la page dans la liste des pièces détachées, ainsi que les numéros des pièces commandées.

When ordering spare parts, please state the model number, the page number in the catalogue of spare parts and the number of the parts called for.



Please note that on disposal, this product must be safely recycled in accordance with relevant National legislation relating to electrical/electronic products. If in doubt please contact your retailer for guidance.



Bitte beachten Sie, dass hinsichtlich der Entsorgung dieses Produkts, vorschriftsmäßig entsprechend der gültigen nationalen Gesetzgebung für elektrische/elektronische Produkte, recycelt werden muss. Bei Zweifel setzen Sie sich bitte mit Ihrem Fachhändler in Verbindung.

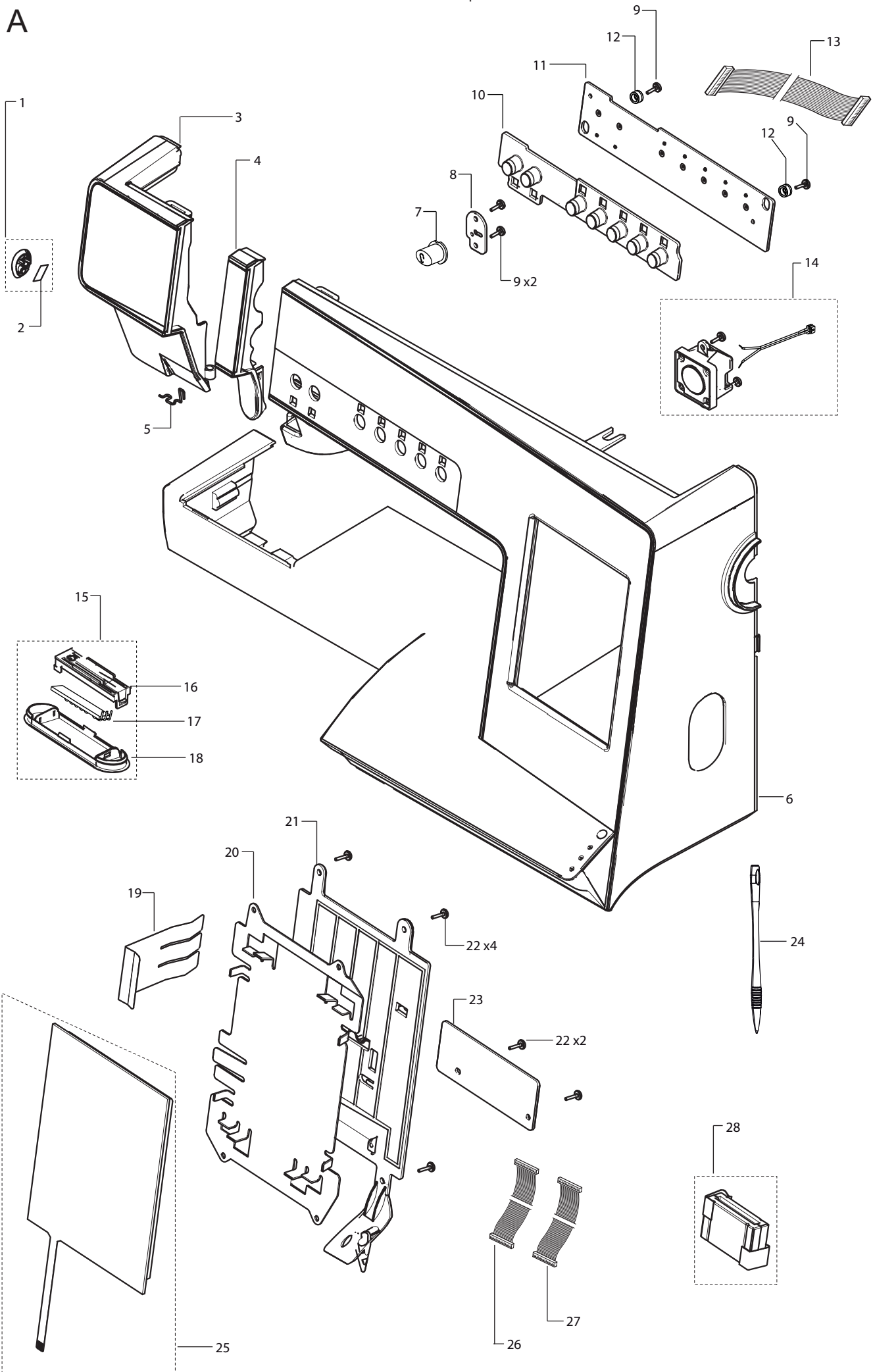


Veuillez noter qu'en cas de destruction, ce produit doit bénéficier d'un recyclage sécurisé, conforme à la législation nationale applicable aux produits électriques/électroniques. En cas de doute, veuillez contacter votre distributeur agréé.

- All casted parts within our products are marked with name of material if allowed by size.
- All molded plastic parts within our products are marked with name of material if allowed by size.

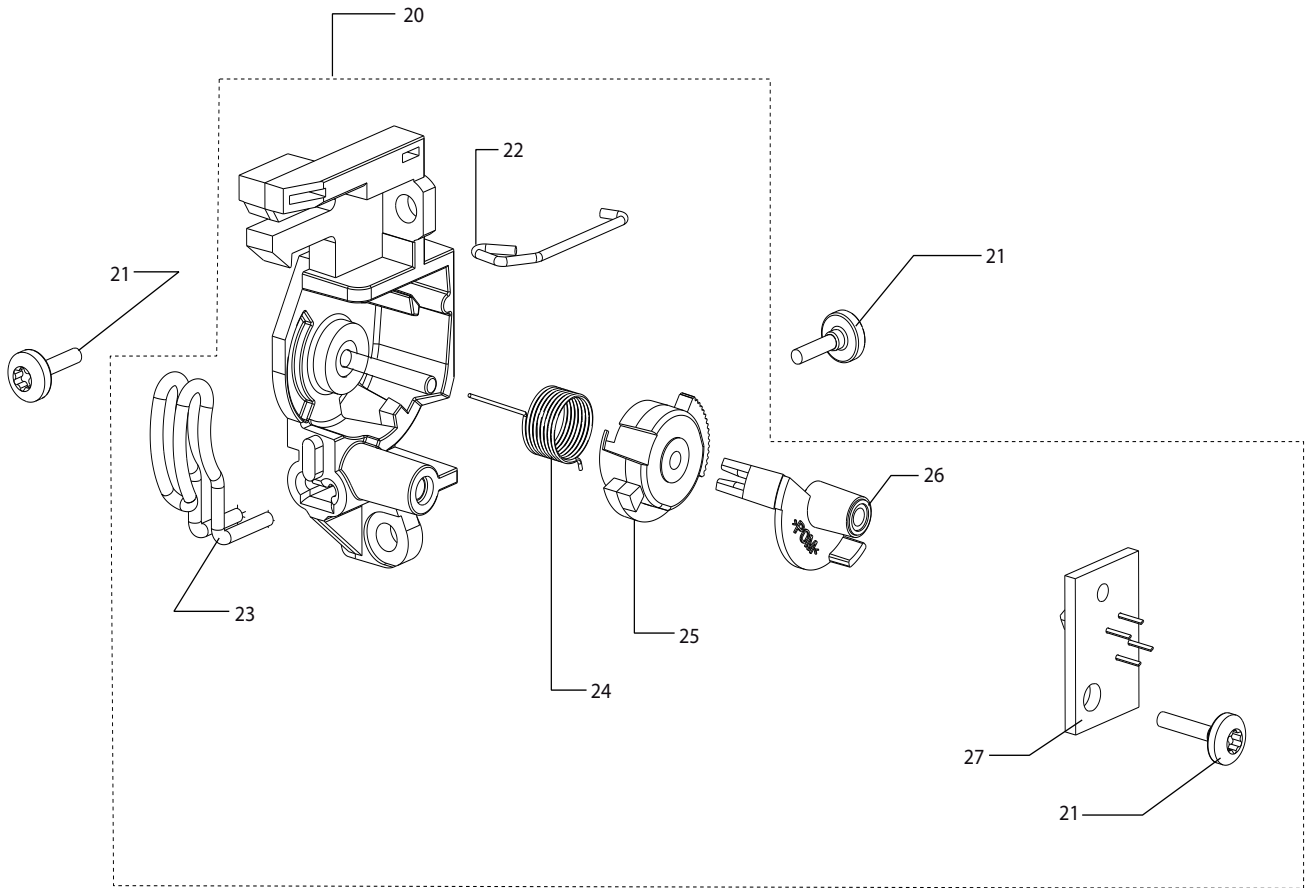
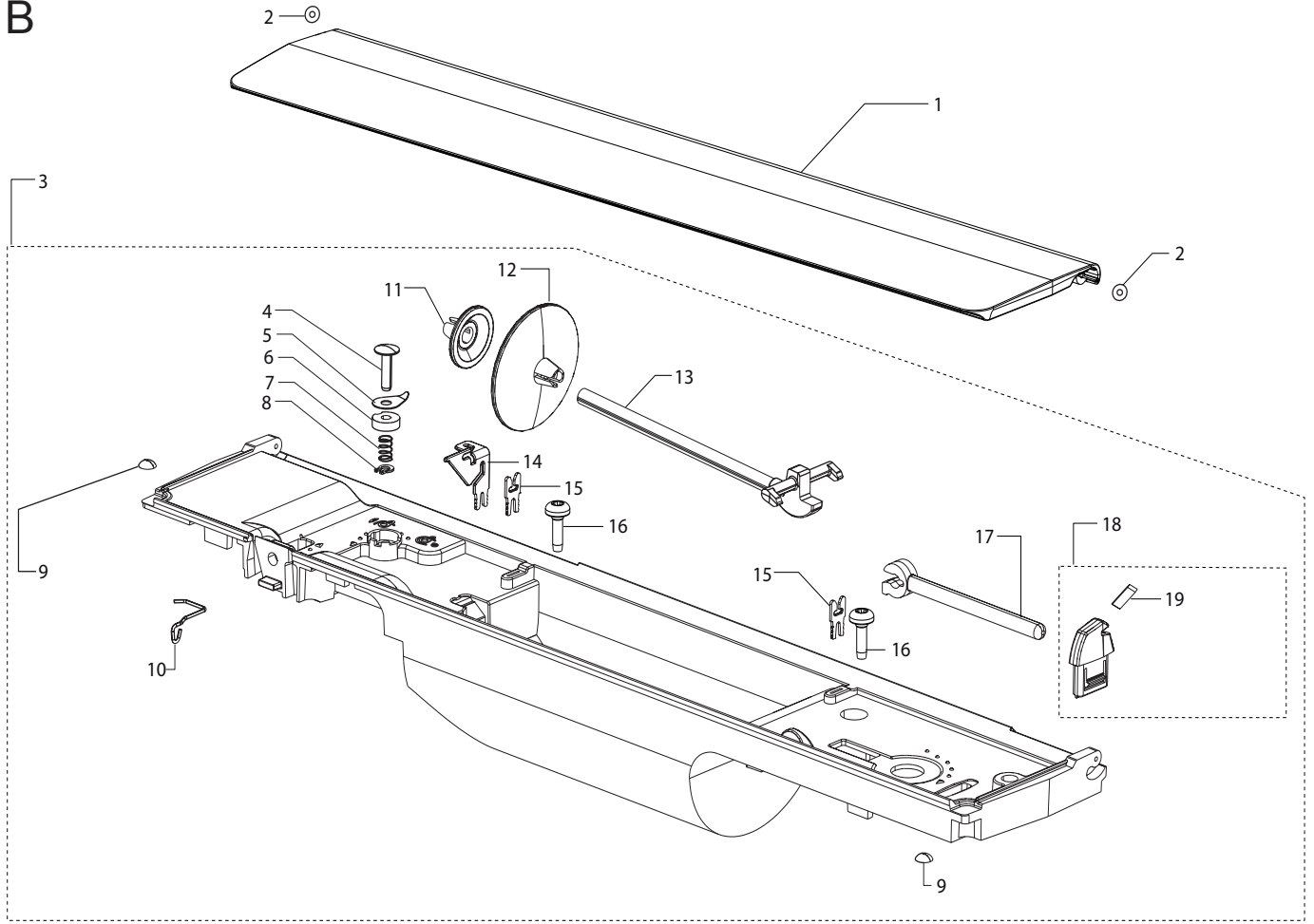


A



|    |           |                             |
|----|-----------|-----------------------------|
| 1  | 413066201 | THREAD KNIFE CPL.           |
| 2  | 412423701 | THREAD CUTTER               |
| 3  | 413080503 | COVER SEWINGH. W. FRONT C.P |
| 4  | 413054605 | GUIDE CPL. C.P              |
| 5  | 413068801 | THREAD GUIDE                |
| 6  | 413065303 | FRONT COVER WITH FRONT C.P  |
| 7  | 413057601 | REVERSE BUTTON              |
| 8  | 413067401 | BOARD, REVERSE BUTTON       |
| 9  | 411966801 | SCREW PT 30*7,5 FZB TORX    |
| 10 | 413139301 | KEY SET                     |
| 11 | 413067701 | KEYBOARD FRONT              |
| 12 | 413068501 | DISTANCE                    |
| 13 | 412546911 | CABLE ASSEMBLY (20P)        |
| 14 | 413050001 | LOUDSPEAKER BOX CPL.        |
| 15 | 413055902 | LED LIGHT CPL.              |
| 16 | 413133001 | LED HOLDER C                |
| 17 | 413138201 | LED UNIT                    |
| 18 | 413055801 | LED GLASS                   |
| 19 | 413150401 | CONTACT SPRING, GROUND      |
| 20 | 413186501 | GROUNDING PLATE CPL.        |
| 21 | 413066302 | DISPLAY BRACKET             |
| 22 | 411966820 | SCREW 30*10 FZB KOMBITORX   |
| 23 | 413141801 | CONNECTOR BOARD DISPLAY     |
| 24 | 412693406 | STYLUS, TRANSPARENT VIOLET  |
| 25 | 413213501 | DISPLAY CPL. W. TOUCH PANEL |
| 26 | 412546915 | CABLE ASSEMBLY (16P)        |
| 27 | 412546914 | CABLE ASSEMBLY (14P)        |
| 28 | 412914901 | FERRITE                     |
| 29 | 413146401 | CABLE, DISPLAY              |

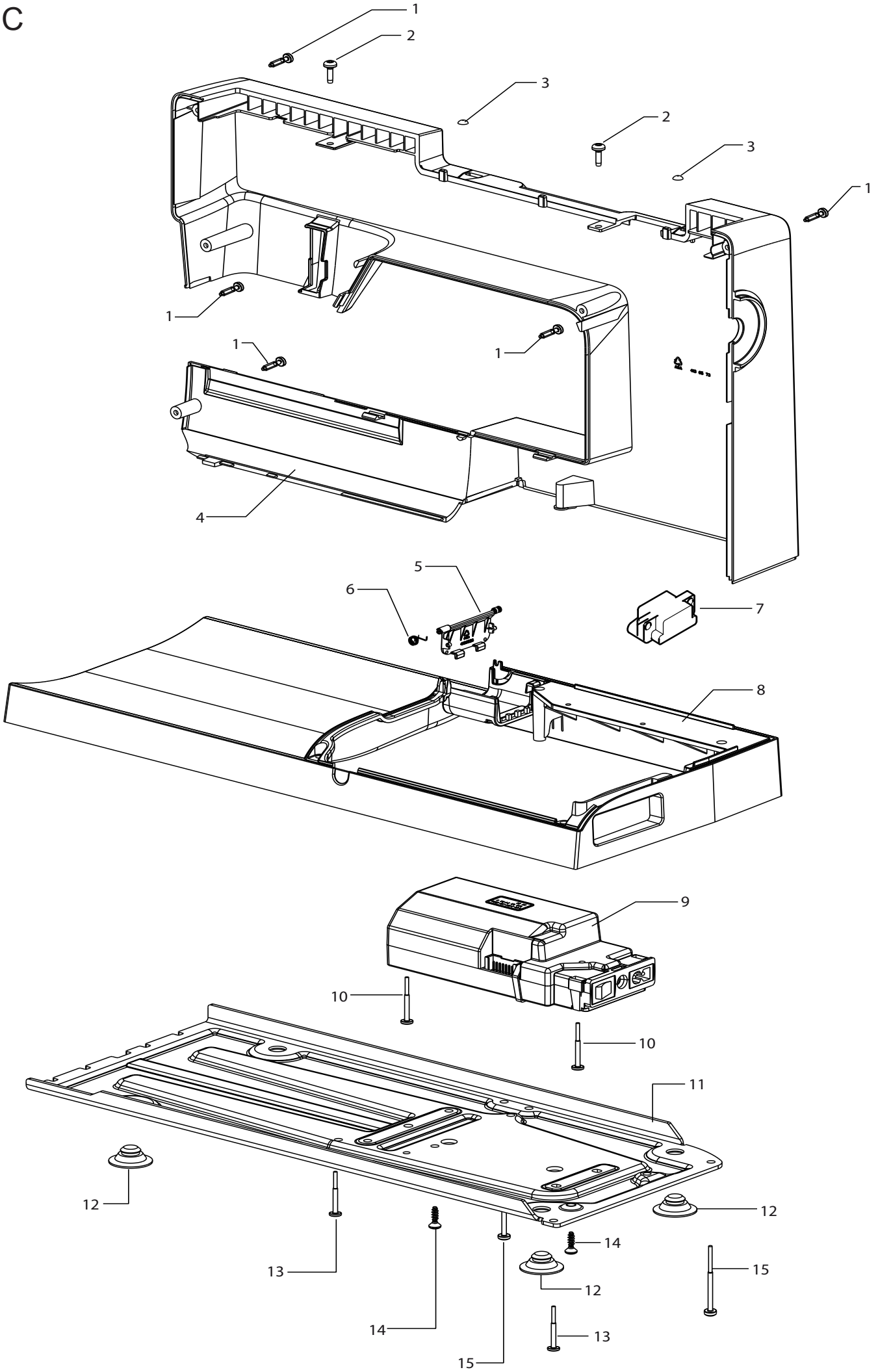
B



|    |               |                                 |
|----|---------------|---------------------------------|
| 1  | 413053308     | LID CPL. C.P                    |
| 2  | 413139901     | BUSHING                         |
| 3  | 413064705     | TOP COVER CPL.                  |
| 4  | 9303017435000 | GUIDE PIN                       |
| 5  | 9303906805000 | THREAD GUIDE, BOBBIN WINDER     |
| 6  | 9303205025000 | THREAD GUIDE                    |
| 7  | 9304006005000 | SPRING                          |
| 8  | 1261814045000 | RING PN 12618-3,5               |
| 9  | 412569701     | DAMPER                          |
| 10 | 413064602     | THREAD GUIDE                    |
| 11 | 413051601     | SPOOL HOLDER 22MM               |
| 12 | 413051603     | SPOOL HOLDER 45MM               |
| 13 | 413064501     | REEL PIN                        |
| 14 | 413190001     | THREAD GUIDE CPL.               |
| 15 | 413060201     | THREAD GUIDE                    |
| 16 | 412056005     | SCREW TAPTITE M4*10 TORX        |
| 17 | 412960401     | THREAD REEL PIN                 |
| 18 | 413022501     | COVER THREAD KNIFE CPL. WIN.AV. |
| 19 | 412423701     | THREAD CUTTER                   |
| 20 | 413004003     | THREAD SENSOR CPL.              |
| 21 | 411966820     | SCREW 30*10 FZB KOMBITORX       |
| 22 | 413004501     | THREAD CONTROL,THREAD SENSOR    |
| 23 | 412519301     | THREAD GUIDE                    |
| 24 | 412519202     | CHECK SPRING                    |
| 25 | 413004301     | ADJUSTING SLEEVE                |
| 26 | 413004402     | SENSOR THREAD TENSION           |
| 27 | 413017603     | THREAD SENSOR ASSEMBLY          |

C

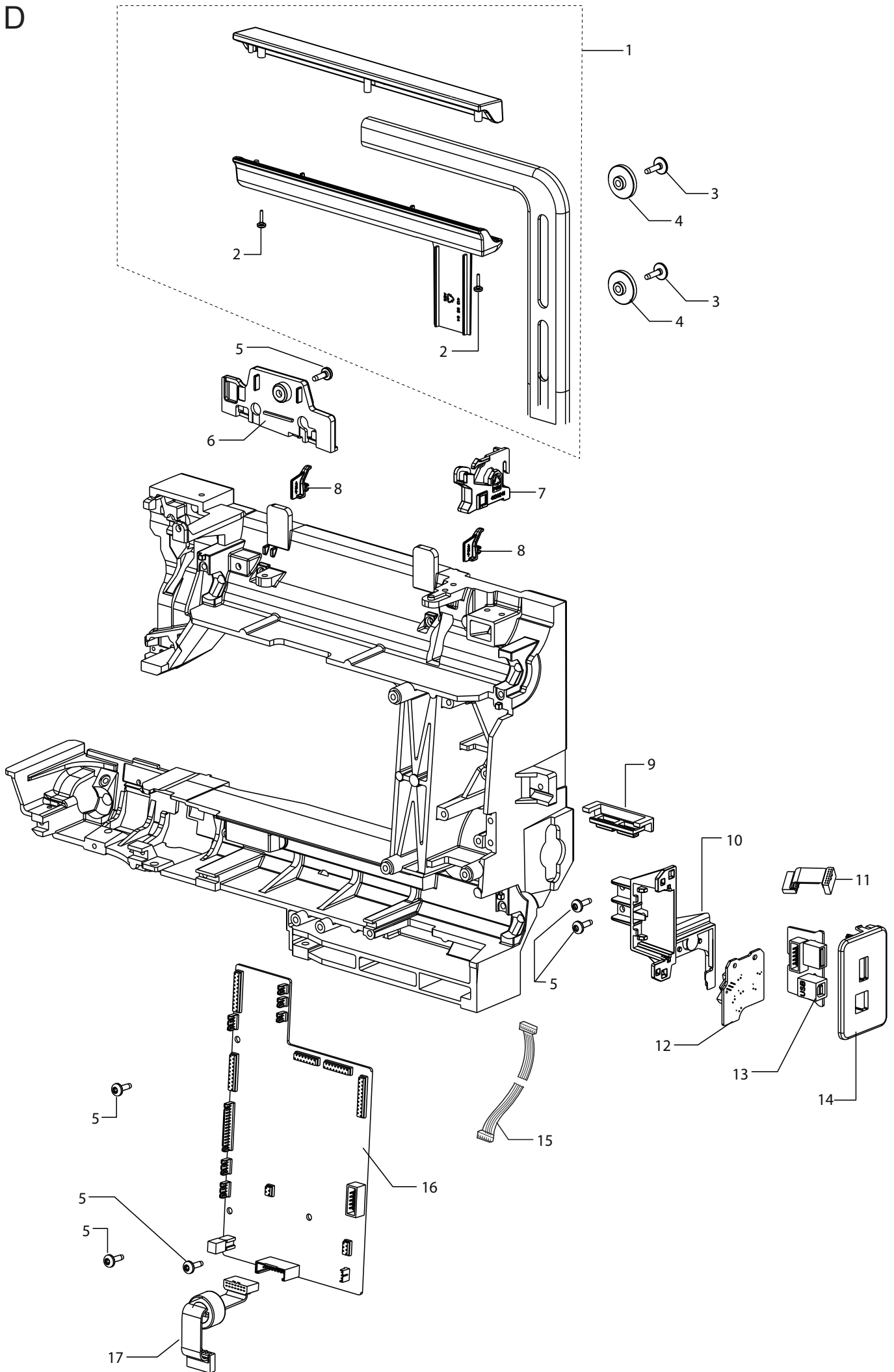
Pfaff creative performance





|    |           |                             |
|----|-----------|-----------------------------|
| 1  | 411966803 | SCREW PT 30*12 FZB TORX     |
| 2  | 412056005 | SCREW TAPTITE M4*10 TORX    |
| 3  | 412569701 | DAMPER                      |
| 4  | 413057301 | BACK COVER,PFAFF HIGH       |
| 5  | 413052501 | LID, XY-UNIT                |
| 6  | 413068601 | TORSION SPRING              |
| 7  | 413092602 | CABLE ASS. XY SEW. MACHINE  |
| 8  | 413034703 | BOTTOM COVER APF, KNEE LIFT |
| 9  | 413019203 | POWER SUPPLY CPL.           |
| 10 | 411967107 | SCREW PT FS 40*35 FZB TORX  |
| 11 | 412954501 | BOTTOM PLATE                |
| 12 | 412305001 | BASEPLATE RUBBER FOOT       |
| 13 | 411966812 | SCREW PT 40*40 FZB TORX     |
| 14 | 412056001 | SCREW TAPTITE M5*14 TORX    |
| 15 | 411966813 | SCREW PT 40*50 FZB          |

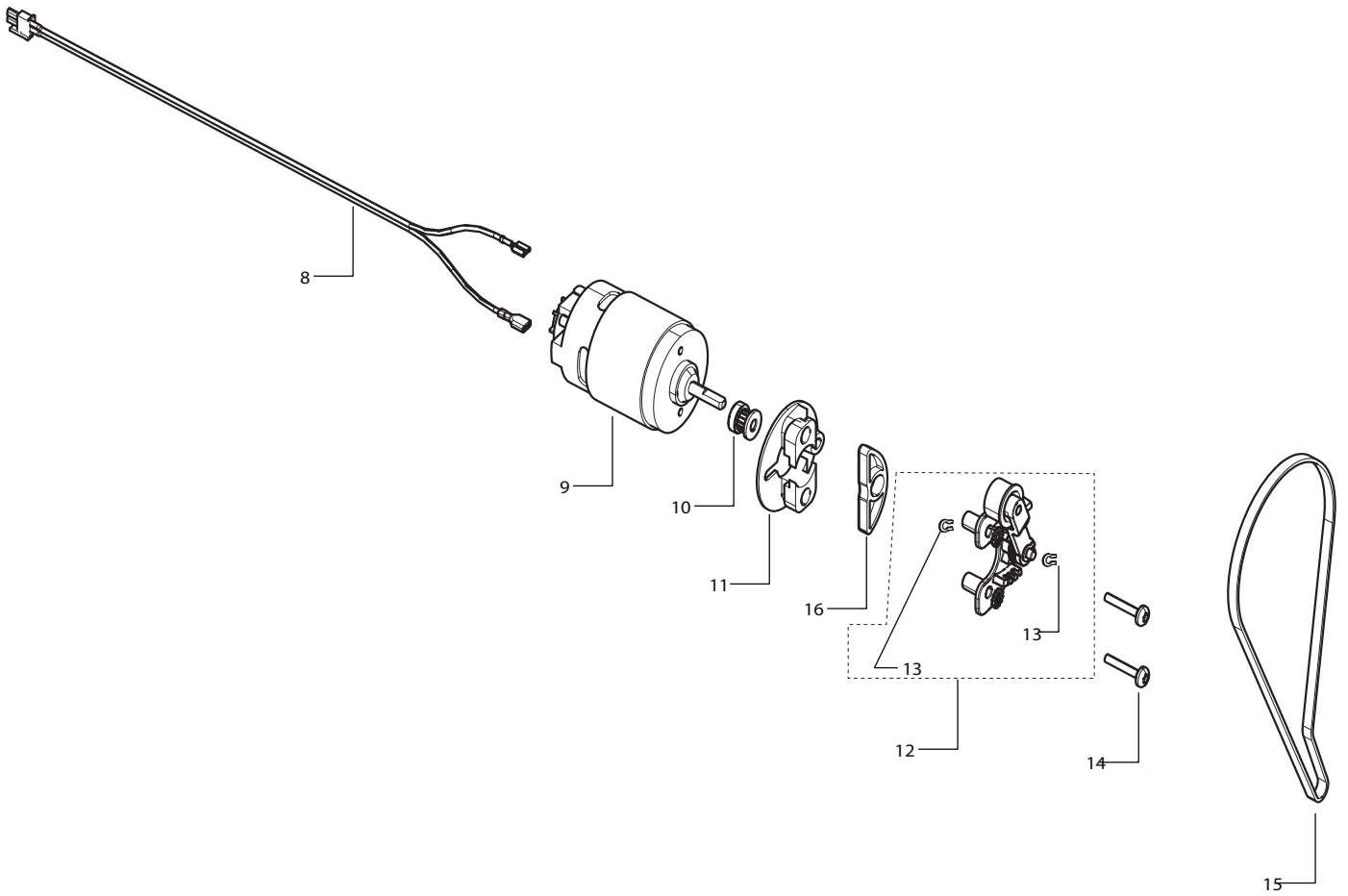
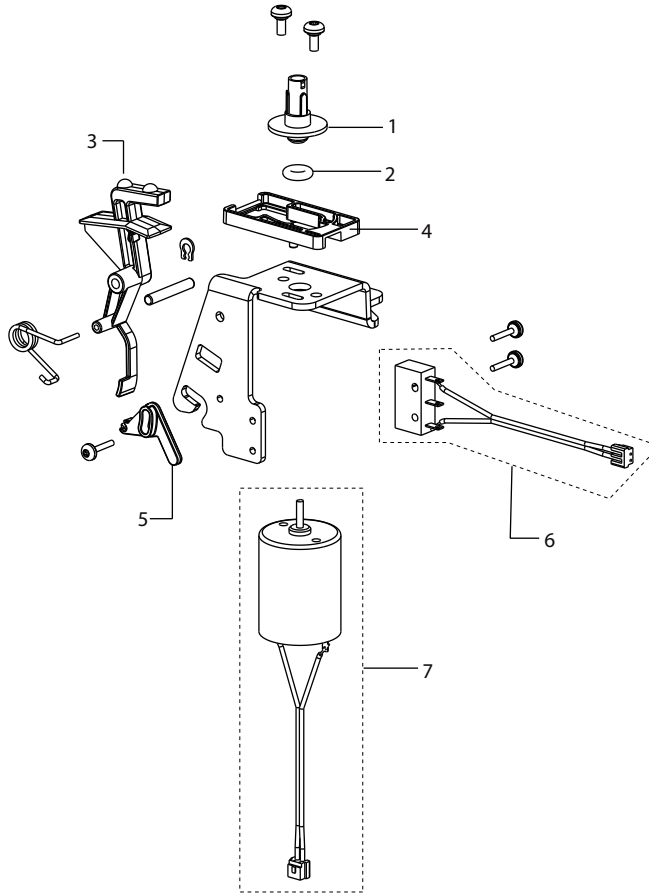
D



|    |           |                                    |
|----|-----------|------------------------------------|
| 1  | 413056101 | HANDLE PART CPL.                   |
| 2  | 411966820 | SCREW 30*10 FZB KOMBITORX          |
| 3  | 413169401 | COLLAR SCREW TT TORX 4*14          |
| 4  | 413056501 | BUSHING, HANDLE PFAFF              |
| 5  | 412056006 | SCREW TAPTITE M4*12 TORX           |
| 6  | 413063901 | CABLE SHIELD                       |
| 7  | 413024101 | CABLE LOCATOR                      |
| 8  | 413024201 | CABLE CLAMP                        |
| 9  | 413075601 | CABLE LOCATOR                      |
| 10 | 412985501 | HOLDER                             |
| 11 | 413108801 | CABLE,USB                          |
| 12 | 412986401 | SENSOR BOARD, ASS.                 |
| 13 | 413024401 | USB BOARD DUAL CPL.                |
| 14 | 413024601 | COVER,USB DUAL,PFAFF               |
| 15 | 412546913 | CABLE ASSEMBLY (6P)                |
| 16 | 413051853 | MAIN PC-BOARD CREATIVE PERFORMANCE |
| 17 | 412349704 | CABLE TRANSF-CONTROL BOARD         |

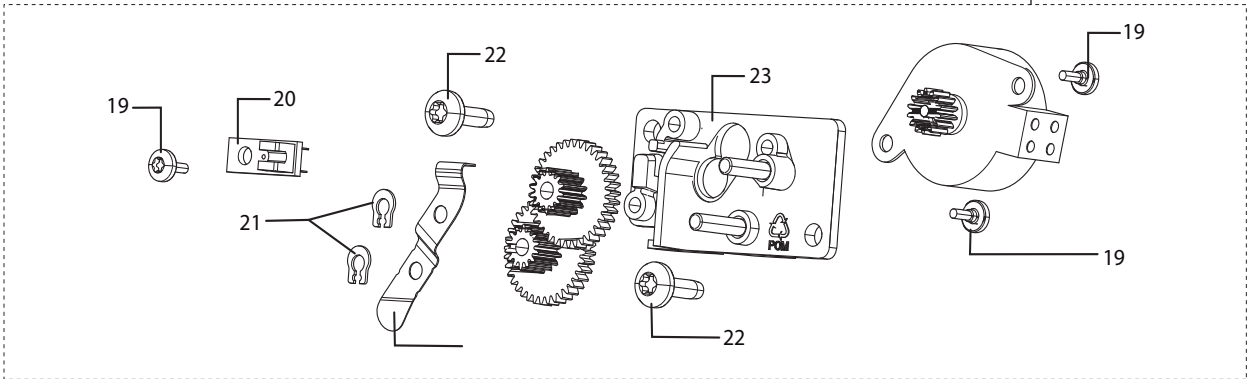
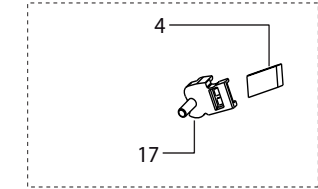
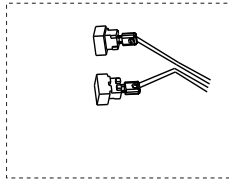
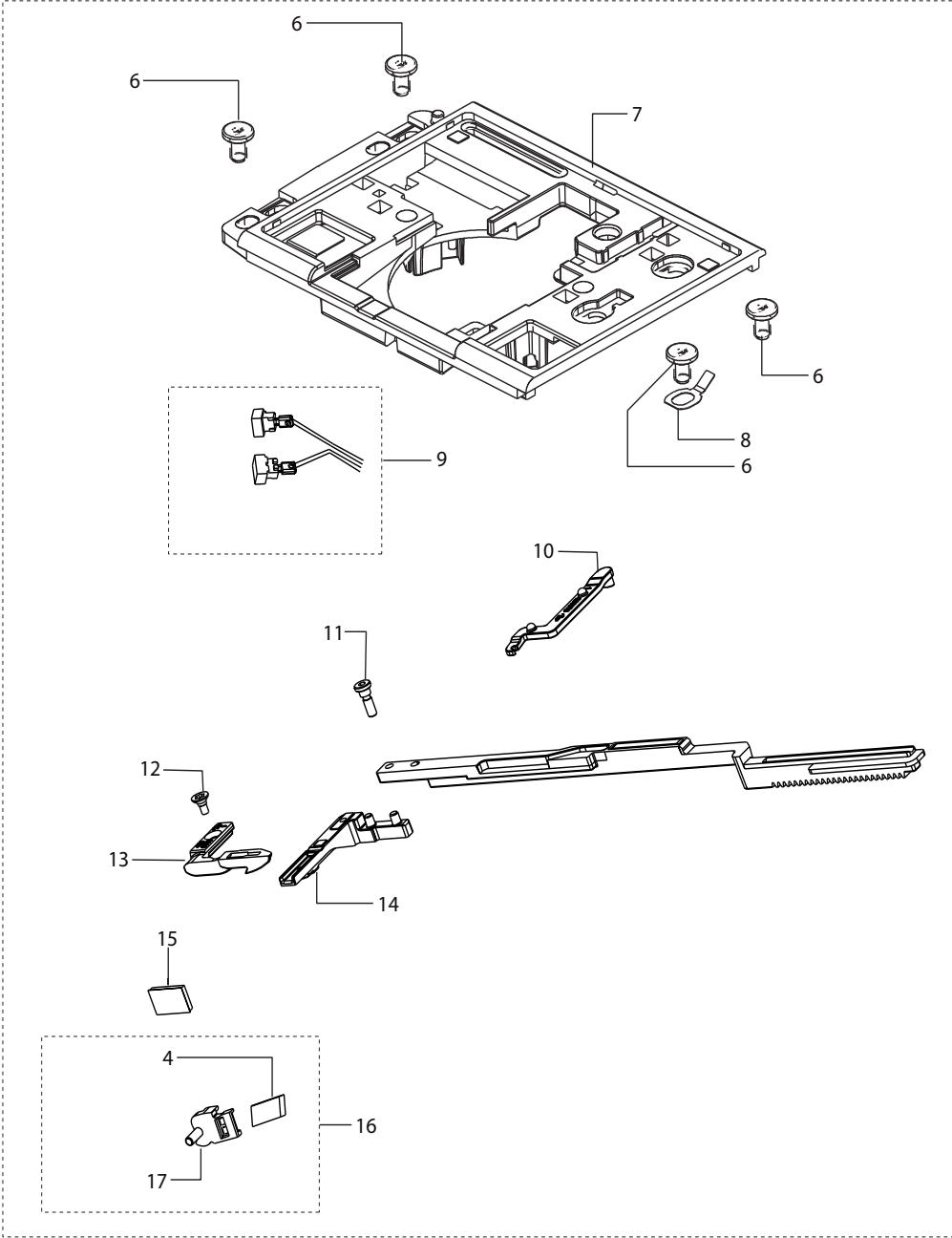
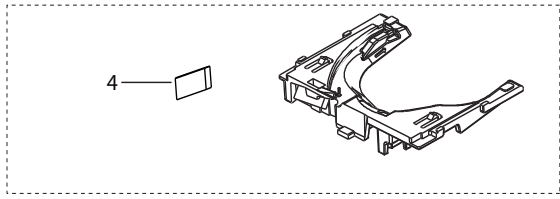
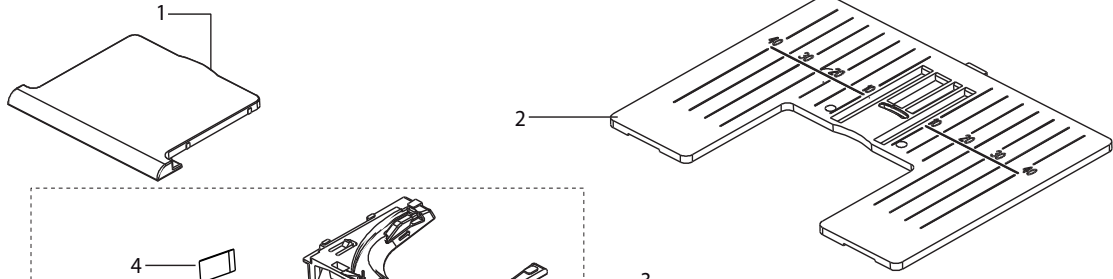
E

Pfaff creative performance



|    |               |                           |
|----|---------------|---------------------------|
| 1  | 413062101     | WINDING SHAFT             |
| 2  | 412305502     | O-RING                    |
| 3  | 413061901     | BOBBIN,WINDER LEVER       |
| 4  | 413062001     | BRAKE LEVER               |
| 5  | 413024701     | SWITCH LEVER,WINDER       |
| 6  | 413049102     | MICROSWITCH CPL.          |
| 7  | 413093001     | BOBBIN WINDING MOTOR CPL. |
| 8  | 413056901     | CABLE MAIN MOTOR          |
| 9  | 9233011191000 | ENGINE DOMEL              |
| 10 | 412353302     | PULLEY CPL.               |
| 11 | 412999901     | RUBBER DAMPER, MOTOR      |
| 12 | 412971901     | BELT STRETCHER CPL.       |
| 13 | 735613640     | COMPRESSION RINGS Ø4      |
| 14 | 412211415     | SCREW M4*20 TORX          |
| 15 | 413020201     | COG BELT MOTOR            |

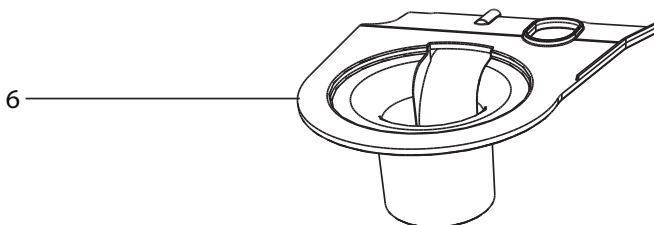
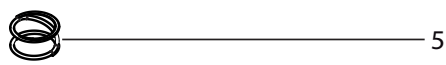
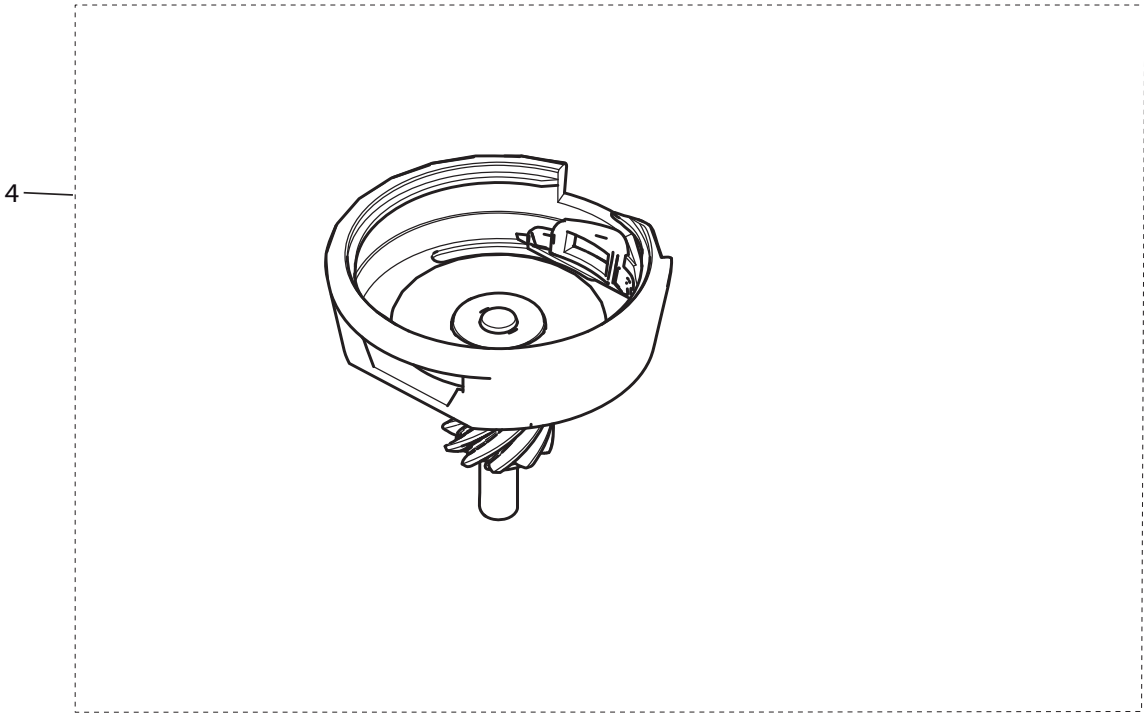
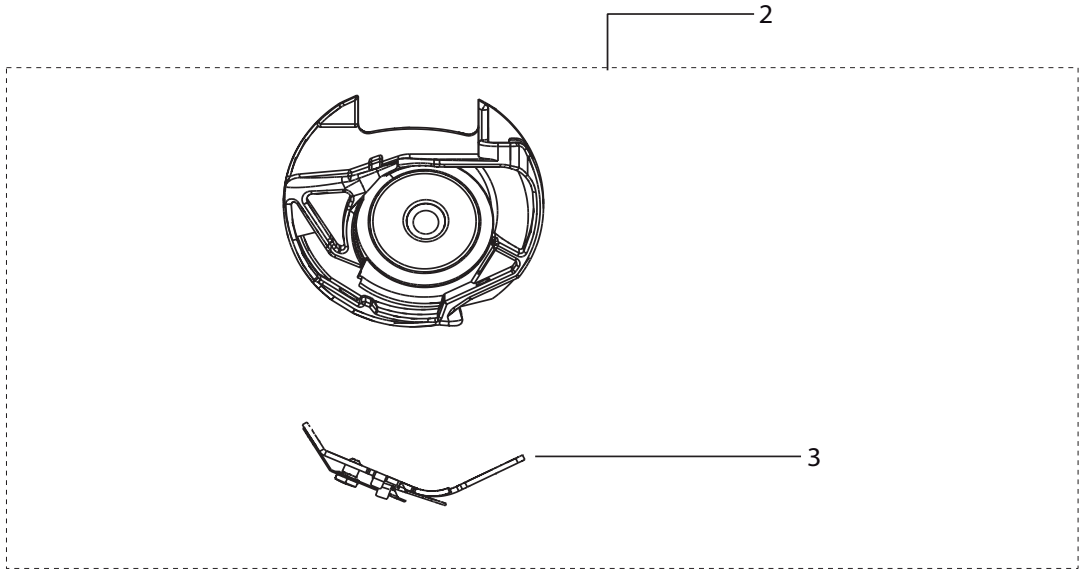
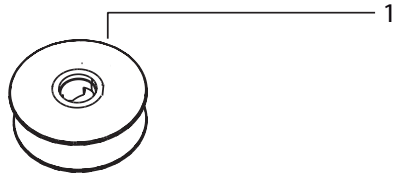
F



|    |           |                                |
|----|-----------|--------------------------------|
| 1  | 412963901 | BOBBIN COVER                   |
| 2  | 412964308 | STITCH PLATE PFAFF INCH/MM     |
| 3  | 413025601 | BOBBIN CASE HOLDER CPL         |
| 4  | 412423701 | THREAD CUTTER                  |
| 5  | 412964002 | HOOK COVER CPL. CUT. AND SENS. |
| 6  | 412287903 | SCREW                          |
| 7  | 412964105 | HOOK COVER                     |
| 8  | 412997701 | ESD SPRING, STITCH PLATE       |
| 9  | 413101502 | CABLE ASS. BOBBIN SENSOR       |
| 10 | 413007301 | FETCHER UPPER THREAD           |
| 11 | 413010001 | GUIDE PIN                      |
| 12 | 412280501 | SCREW, COUNTERSUNK             |
| 13 | 413007101 | FETCHER                        |
| 14 | 413072201 | CONNECTING PART, FETCHER       |
| 15 | 413116701 | THREAD BRAKE                   |
| 16 | 413047301 | KNIFE HOLDER CPL.              |
| 17 | 413007701 | KNIFE HOLDER                   |
| 18 | 413007401 | STEPPING MOTOR CPL.            |
| 19 | 411966828 | SCREW PT 30*6 FZB TORX         |
| 20 | 413072501 | CUT. SENSOR ASS.               |
| 21 | 735612440 | COMPRESSION RINGS Ø3           |
| 22 | 412056006 | SCREW TAPTITE M4*12 TORX       |
| 23 | 413007502 | MOTOR PLATE CPL.               |

G

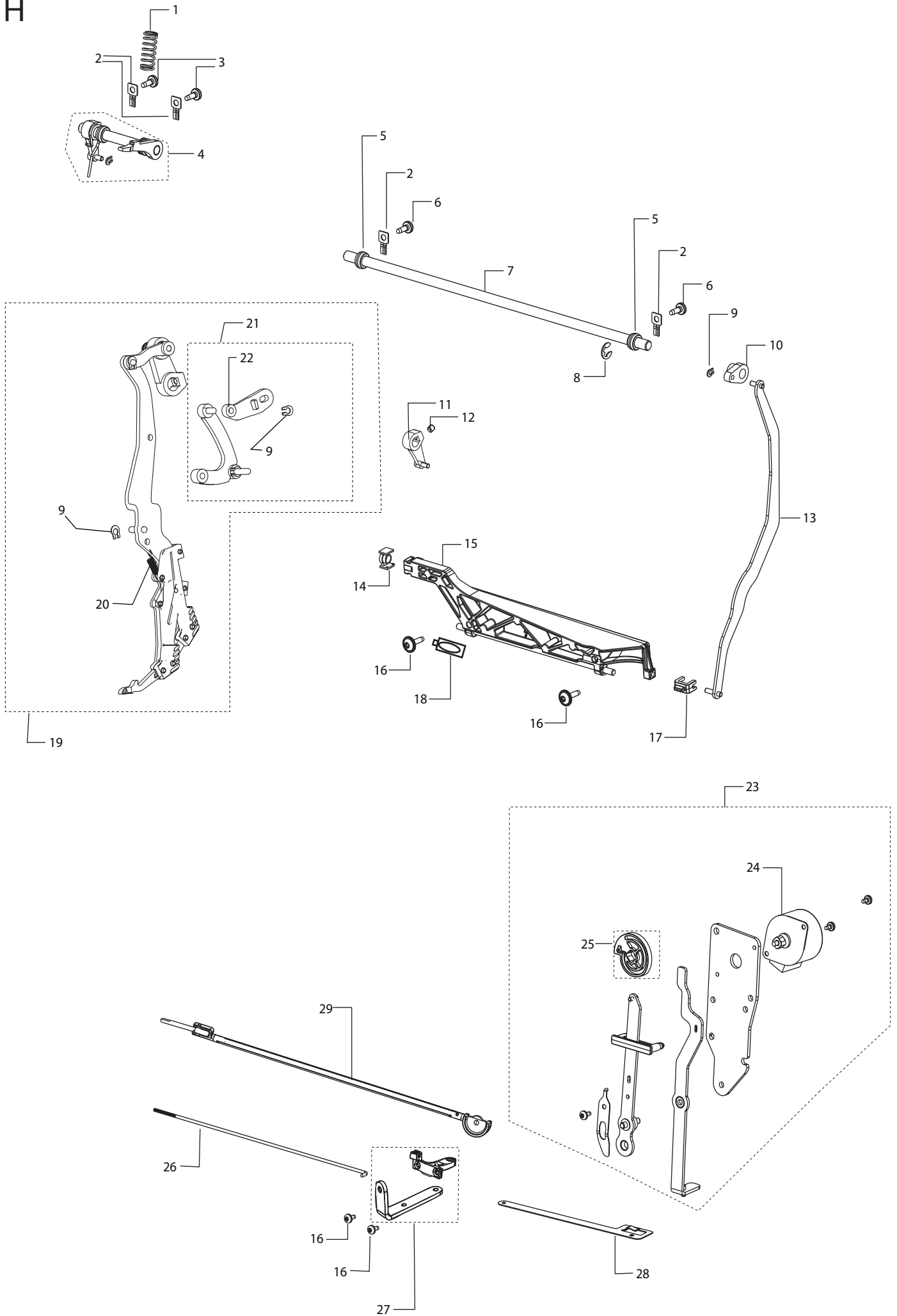
Pfaff creative performance



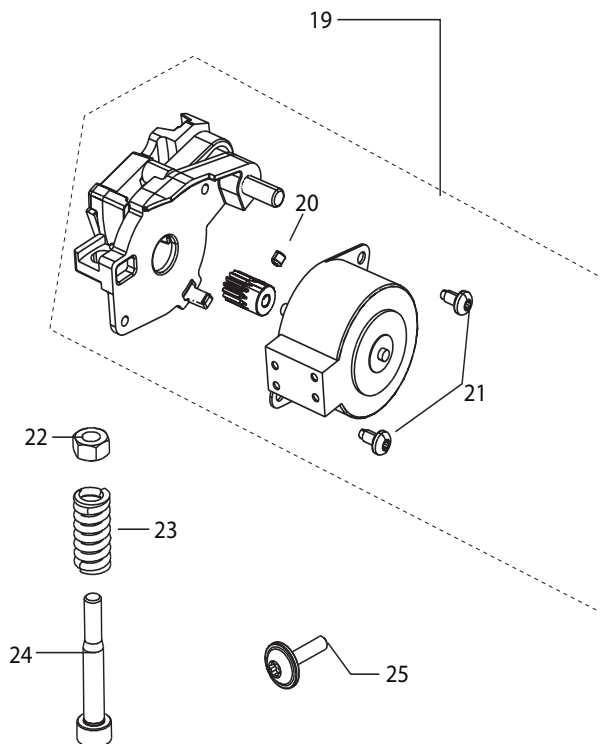
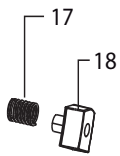
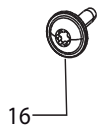
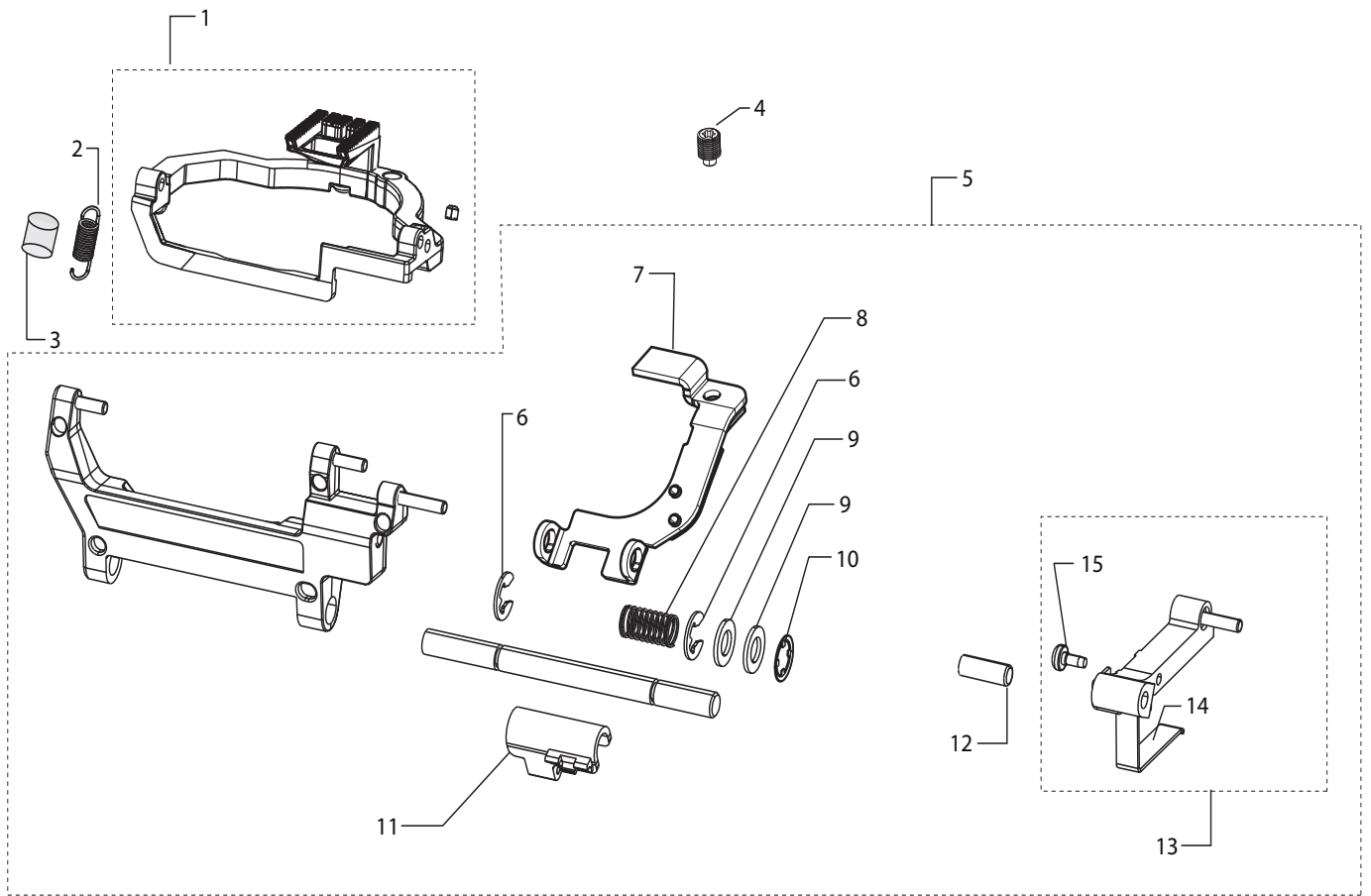


|   |           |                            |
|---|-----------|----------------------------|
| 1 | 820921096 | BOBBINS CPL. PF, GREY 10-P |
| 2 | 413058902 | BOBBIN CASE CPL.           |
| 3 | 412471601 | THREAD TENSION CPL.        |
| 4 | 412876902 | HOOK CPL WITH SHAFT        |
| 5 | 412930101 | SPRING, HOOK               |
| 6 | 412964502 | DUST COVER                 |
| 7 | 728528705 | SCREW M4*8 ROSE            |

H

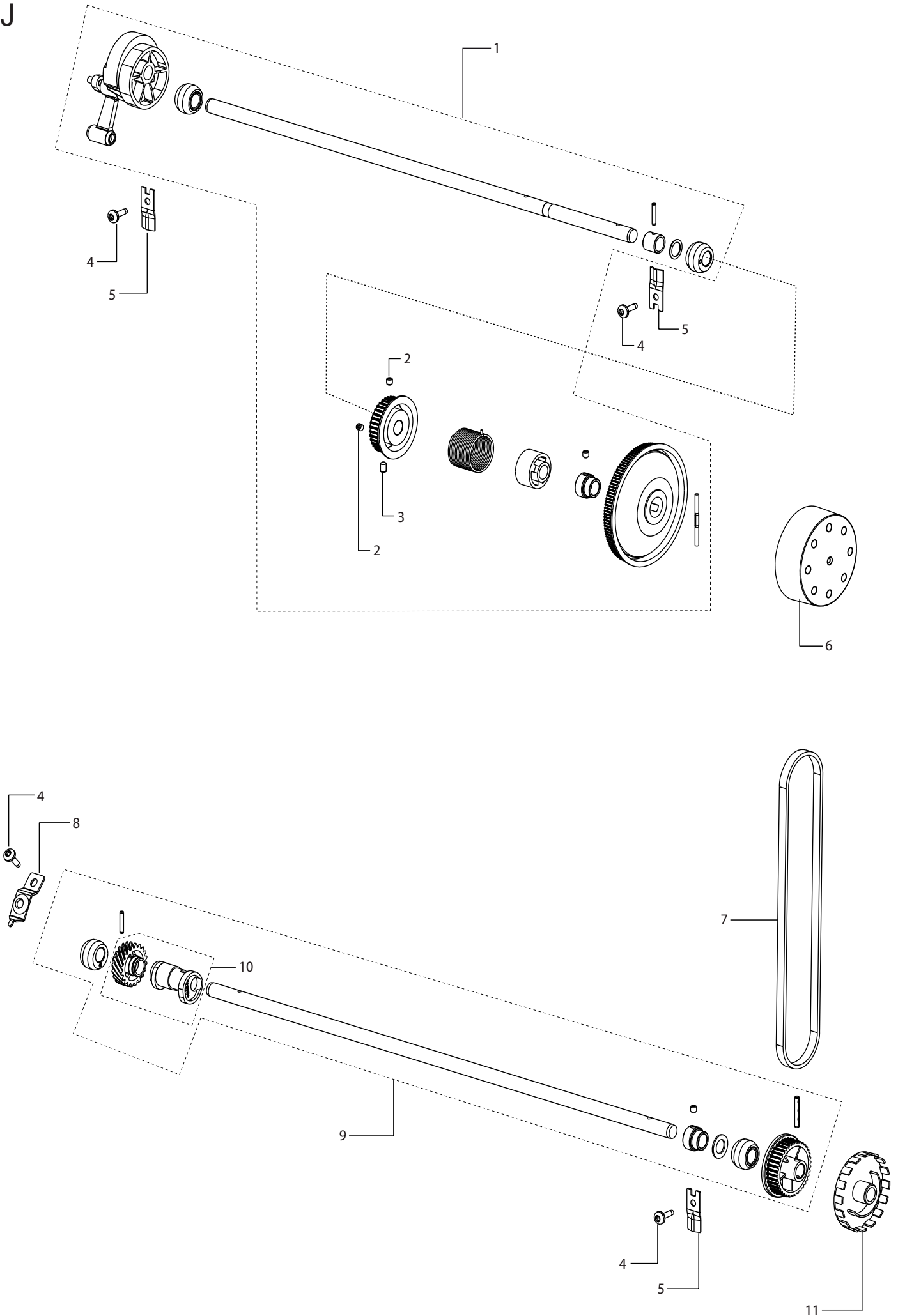


|    |           |                                |
|----|-----------|--------------------------------|
| 1  | 413065901 | COMPRESSION SPRING, HEIGHT CAM |
| 2  | 413042901 | CLAMP, IDT                     |
| 3  | 411966820 | SCREW 30*10 FZB KOMBITORX      |
| 4  | 413065701 | HEIGHT SHAFT, IDT CPL.         |
| 5  | 413042601 | BEARING, IDT                   |
| 6  | 412056005 | SCREW TAPTITE M4*10 TORX       |
| 7  | 413042401 | SHAFT UPPER, IDT               |
| 8  | 735310920 | E-RING 5                       |
| 9  | 735612440 | COMPRESSION RINGS Ø3           |
| 10 | 413042501 | REAR CRANK, IDT                |
| 11 | 413046201 | HEIGHT CRANK, IDT CPL.         |
| 12 | 411968706 | SET SCREW FLAT, M4*4 TORX      |
| 13 | 413043001 | LINK, IDT, LONG                |
| 14 | 413042201 | FEEDER BEARING, IDT            |
| 15 | 413041901 | CONNECTOR FEEDER, IDT          |
| 16 | 411967212 | SCREW TAPTITE FS M4*12 TORX    |
| 17 | 413042001 | CLAMPING, IDT                  |
| 18 | 413140701 | CLAMP SHAFT, IDT               |
| 19 | 413043201 | ARM, IDT CPL.                  |
| 20 | 413043101 | COMPRESSION SPRING             |
| 21 | 413140801 | TOGGLE LINK, IDT CPL.          |
| 22 | 413043601 | LOWER SLEWING BRACKET, IDT     |
| 23 | 413060001 | SIDE FEED, FEED DOG DROP CPL.  |
| 24 | 412997902 | STEPPING MOTOR, SIDE FEED      |
| 25 | 413060101 | CAM WHEEL CPL.                 |
| 26 | 413034101 | PULL WIRE, FEED DOG DROP       |
| 27 | 413034501 | LINKAGE UNIT, FEED DROP        |
| 28 | 413033401 | TRANSM. LINKAGE, FEED DOG DROP |
| 29 | 413033701 | PULL ROD, SIDEFEED, CPL.       |



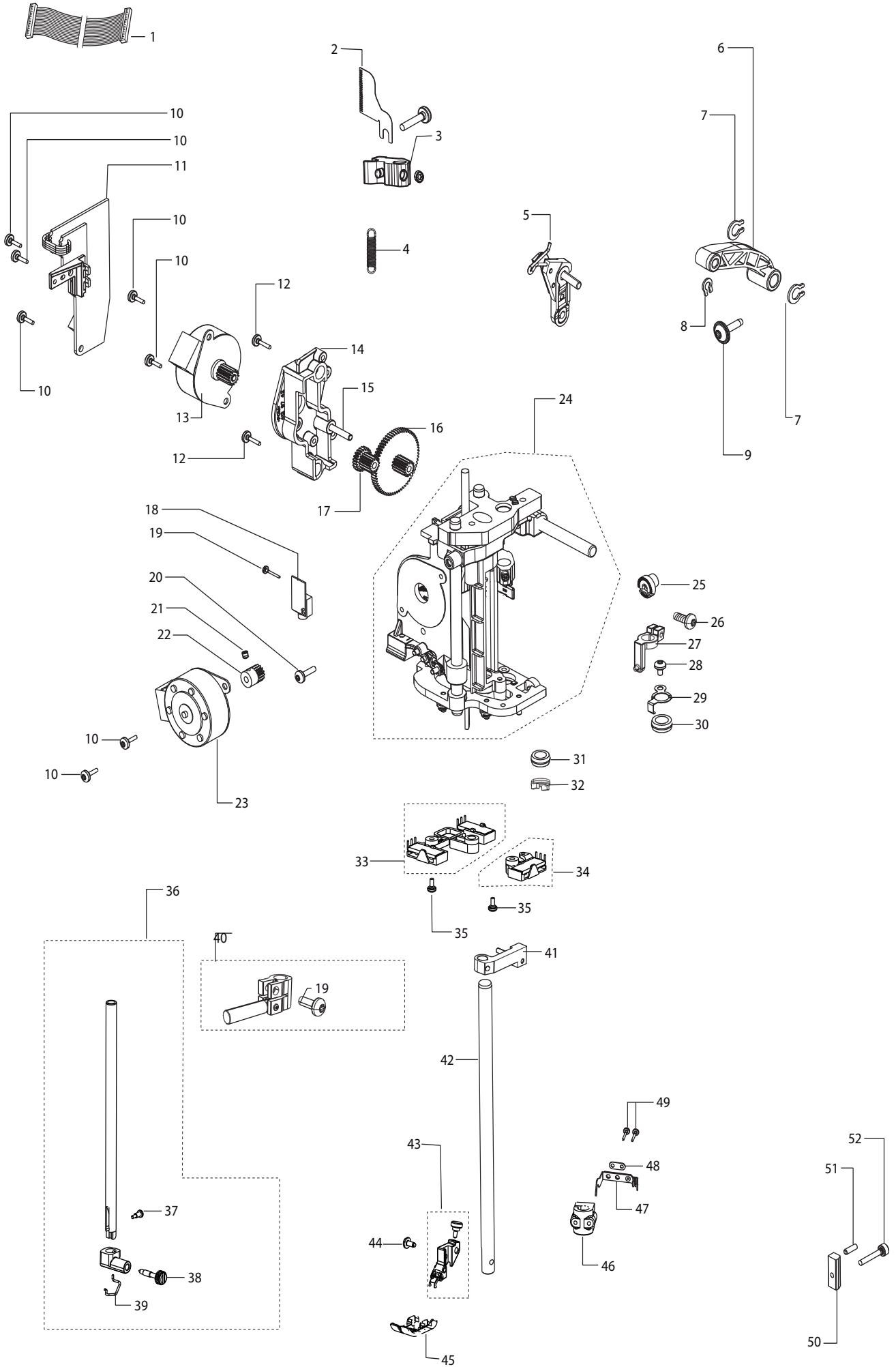
|    |           |                                |
|----|-----------|--------------------------------|
| 1  | 413201303 | FEED DOG CPL.                  |
| 2  | 413270001 | TENSION SPRING, FRAME FEED DOG |
| 3  | 413112601 | BUFFER                         |
| 4  | 413201201 | ADJUSTMENT SCREW, FEEDER       |
| 5  | 413269007 | CARRIGE FEED CPL.              |
| 6  | 735310920 | E-RING 5                       |
| 7  | 413200901 | LEVER FEED LIFT CPL.           |
| 8  | 412962501 | SPRING, FEED DOG LOWERING      |
| 9  | 412829101 | WASHER, LOWER SHAFT            |
| 10 | 412368001 | LOCK WASHER                    |
| 11 | 413034201 | INSERT, LEVER FEED LIFT        |
| 12 | 412316023 | INA PIN NRB 4*19,8 0-2UM       |
| 13 | 412961601 | LINK, CARRIAGE FEED CPL.       |
| 14 | 412961501 | SPRING, FEED                   |
| 15 | 412056004 | SCREW TAPTITE M3*6 TORX        |
| 16 | 413169401 | COLLAR SCREW TT TORX 4*14      |
| 17 | 412961701 | SPRING, SLIDING BLOCK          |
| 18 | 412961801 | BLOCK, GUIDE                   |
| 19 | 412963501 | STEPPING MOTOR UNIT, FEED      |
| 20 | 411968703 | SET SCREW FLAT, M3*3 TORX      |
| 21 | 412056011 | SCREW TAPTITE M3*5 TORX        |
| 22 | 413025401 | NUT M5*5                       |
| 23 | 412963601 | SPRING                         |
| 24 | 412963701 | SCREW BALANCE ADJUSTMENT       |
| 25 | 413034402 | COLLAR SCREW M4*10, LEFT HAND  |

J



|    |           |                              |
|----|-----------|------------------------------|
| 1  | 412966707 | UPPER SHAFT CPL.             |
| 2  | 411968706 | SET SCREW FLAT, M4*4 TORX    |
| 3  | 411968807 | SET SCREW POINTED, M4*6 TORX |
| 4  | 412056006 | SCREW TAPTITE M4*12 TORX     |
| 5  | 412328401 | CLAMP                        |
| 6  | 413040301 | HAND WHEEL                   |
| 7  | 413020301 | COG BELT UPPER-LOWER SHAFT   |
| 8  | 412318101 | CLAMP LOWER SHAFT            |
| 9  | 412967903 | LOWER SHAFT CPL. (BOX)       |
| 10 | 412964403 | ECCENTRIC FEED CPL. (BOX)    |
| 11 | 412968101 | SHIELD,REVOLUTION INDICATOR  |

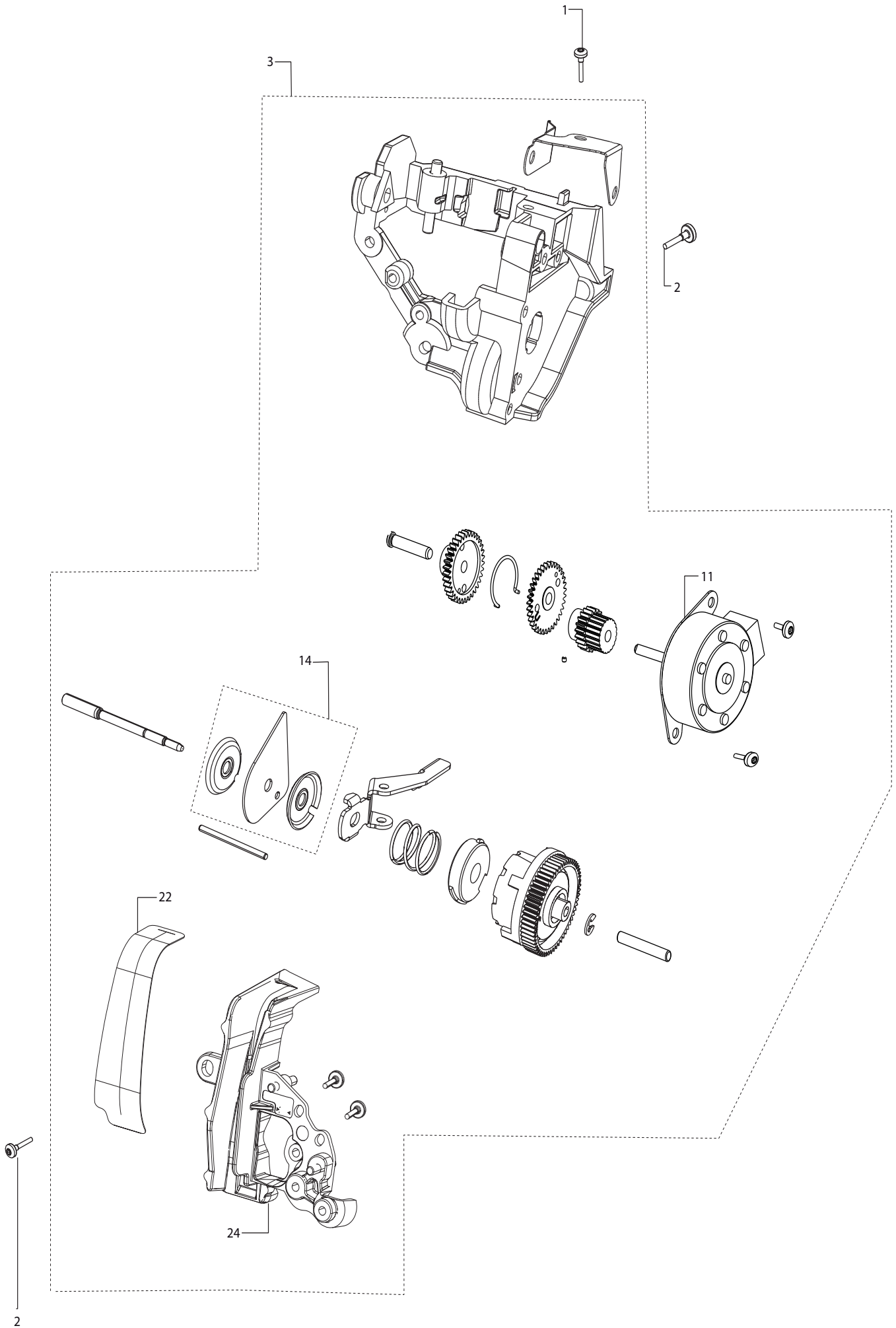
K





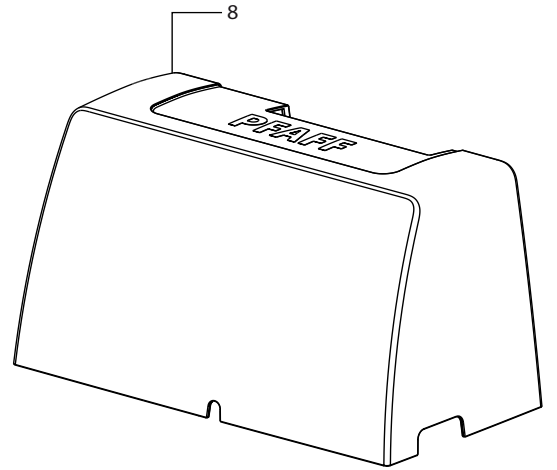
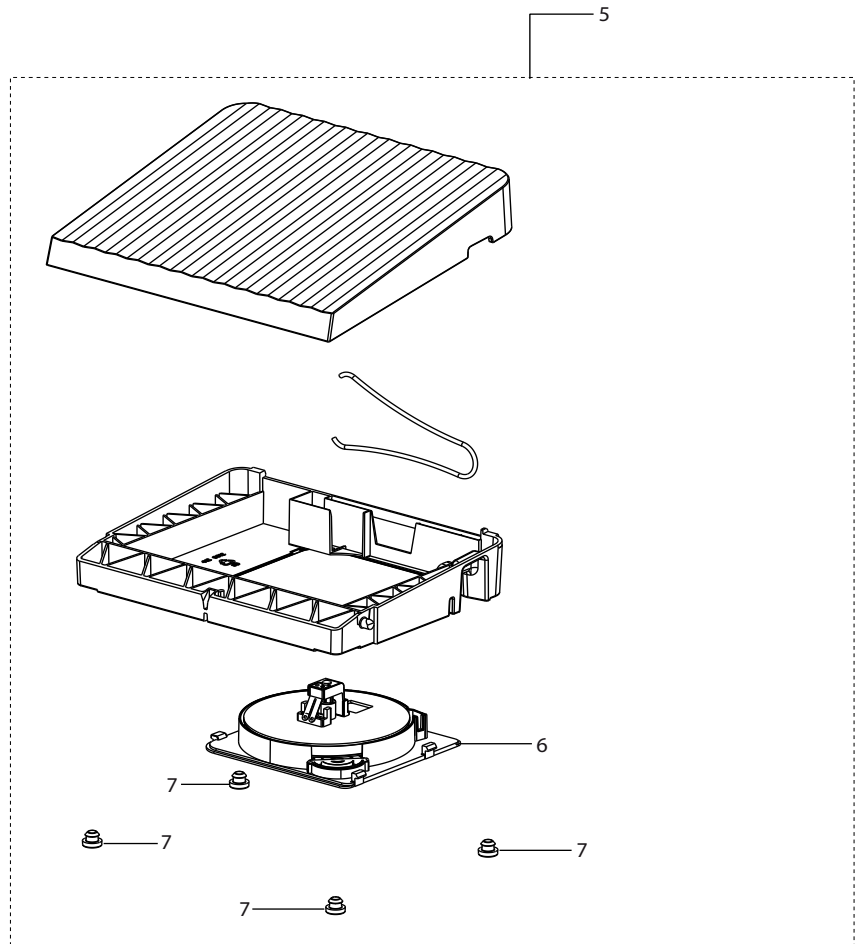
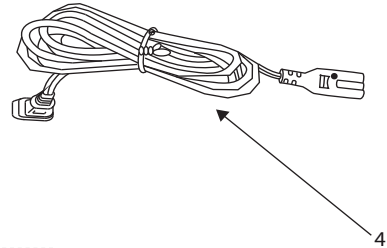
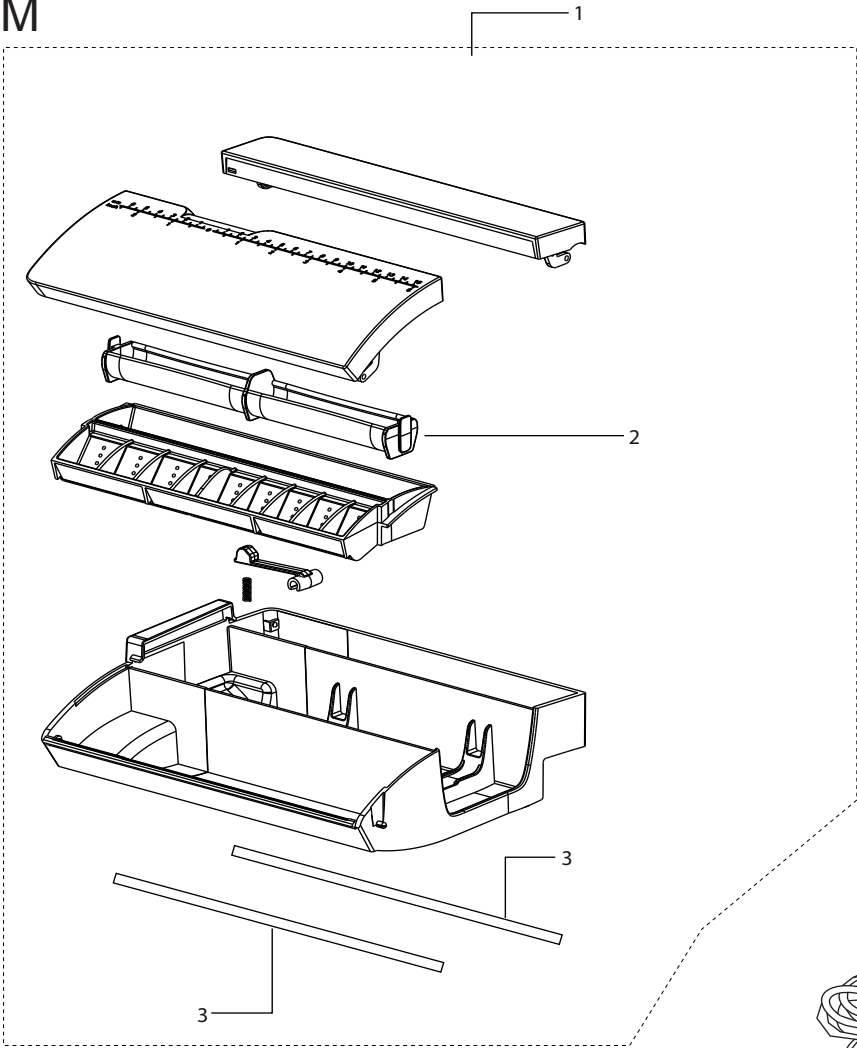
|    |           |                               |
|----|-----------|-------------------------------|
| 1  | 412546912 | CABLE ASSEMBLY (18P)          |
| 2  | 412973901 | SHIELD, PRESSER FOOT SERVO    |
| 3  | 413261601 | GUIDE, SERVO CPL.             |
| 4  | 413137602 | SPRING,.PRESSER FOOT PRESSURE |
| 5  | 413300302 | TAKE UP LEVER CPL. WITH LINK  |
| 6  | 413047401 | LINK                          |
| 7  | 735615340 | COMPRESSION RINGS Ø6          |
| 8  | 735613640 | COMPRESSION RINGS Ø4          |
| 9  | 413169401 | COLLAR SCREW TT TORX 4*14     |
| 10 | 411966801 | SCREW PT 30*7,5 FZB TORX      |
| 11 | 413067003 | CONN. BOARD SERVO SENS.       |
| 12 | 411966820 | SCREW 30*10 FZB KOMBITORX     |
| 13 | 413005901 | STEPPING MOTOR CPL.           |
| 14 | 412974201 | GEAR HOUSE, SERVO             |
| 15 | 412316010 | INA PIN NRB 3*17,8 0-3UM      |
| 16 | 412974401 | GEAR WHEEL SERVO SEC.         |
| 17 | 412974301 | GEAR WHEEL SERVO PRIM.        |
| 18 | 413031001 | BUTTONSENS. CONN. ASS.        |
| 19 | 411966821 | SCREW PT 18*10 FZB TORX       |
| 20 | 412211404 | SCREW M3*10 TORX              |
| 21 | 411968703 | SET SCREW FLAT,M3*3 TORX      |
| 22 | 413057201 | GEAR, Z-Z                     |
| 23 | 412993901 | STEPPING MOTOR                |
| 24 | 413244201 | SEWING HEAD CPL. A            |
| 25 | 412966501 | CALIBRATION KNOB              |
| 26 | 413019001 | SCREW K30*8 PT WN 1452-S      |
| 27 | 412993502 | STROKE LIMITER                |
| 28 | 412211401 | SCREW M3*4 TORX               |
| 29 | 413060301 | CLIPS, GABLE LOWER            |
| 30 | 412500601 | BEARING                       |
| 31 | 412501501 | BEARING 10/6,35-4             |
| 32 | 412504701 | LOCKING DEVICE                |
| 33 | 413138001 | LED HOLDER CPL, LEFT          |
| 34 | 413137901 | LED HOLDER CPL, RIGHT         |
| 35 | 412211402 | SCREW M3*6 TORX               |
| 36 | 68008798  | NEEDLE BAR CPL. PF            |
| 37 | 413094701 | SCREW THREAD GUIDE            |
| 38 | 413094801 | NEEDLE SCREW                  |
| 39 | 413094602 | THREAD GUIDE                  |
| 40 | 412993603 | CROSS HEAD CPL.               |
| 41 | 413045801 | PRESSER BAR GUIDE SERVO, IDT  |
| 42 | 412285403 | PRESSER BAR                   |
| 43 | 413039201 | HOLDER PRESSER FOOT CPL.      |
| 44 | 413040401 | SCREW HOLDER PRESSER FOOT     |
| 45 | 820773096 | STANDARD PRESSER FOOT W. IDT  |
| 46 | 413053601 | HOLDER, NEEDLE THREADER       |
| 47 | 413238402 | NEEDLE THREADER               |
| 48 | 412876701 | WASHER, NEEDLE THREADER       |
| 49 | 411966825 | SCREW PT 16*8 FZB TORX        |
| 50 | 412966601 | WEDGE                         |
| 51 | 728522205 | SOCKET SET SCREW FLAT POINT   |
| 52 | 725522805 | SCREW M3*16 INSEX             |

L



|    |           |                           |
|----|-----------|---------------------------|
| 1  | 411966803 | SCREW PT 30*12 FZB TORX   |
| 2  | 412056006 | SCREW PT 40*10 FZB TORX   |
| 3  | 412940208 | THREAD TENSION ASS.       |
| 11 | 412993903 | STEPPING MOTOR            |
| 14 | 413106402 | THREAD DISK KIT           |
| 22 | 413218502 | SEALING, TAKE UP LEVER    |
| 24 | 413232202 | SHIELD, TAKE UP LEVER,ASS |

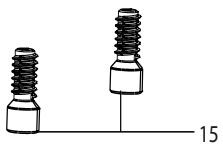
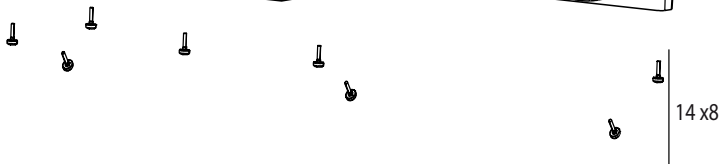
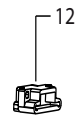
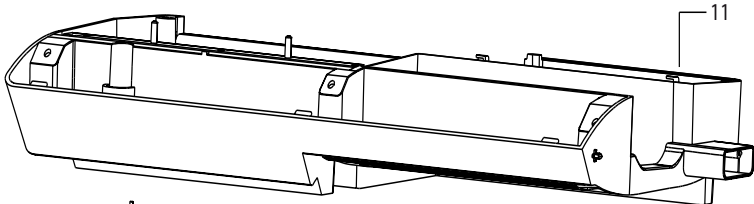
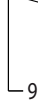
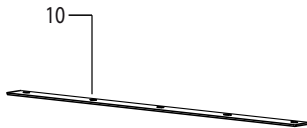
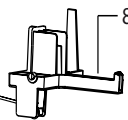
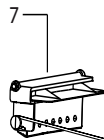
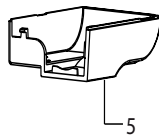
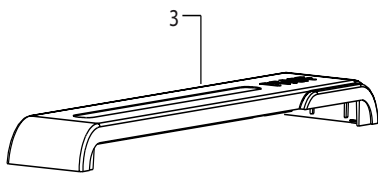
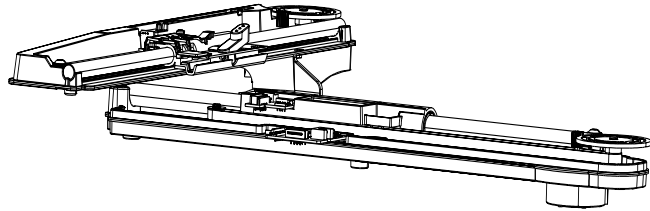
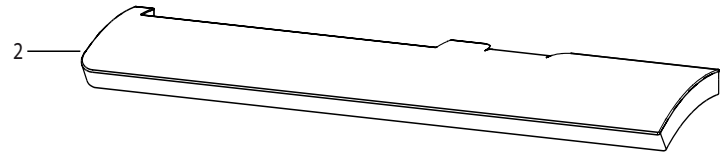
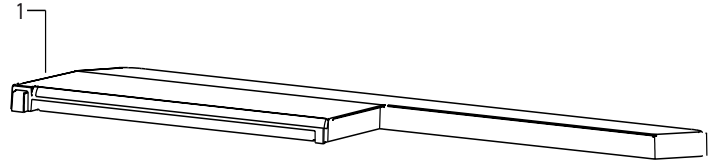
M



|   |           |                                |
|---|-----------|--------------------------------|
| 1 | 413083903 | ACCESS.BOX CPL. W. SPOOL HOLD. |
| 2 | 412737401 | BOBBIN HOLDER                  |
| 3 | 412529702 | FRICTION TAPE                  |
| 4 | 412157801 | NET CABLE 230V                 |
|   | 412157902 | NET CABLE 120V JP              |
|   | 412157903 | NET CABLE 120V                 |
|   | 412158002 | NET CABLE GB                   |
|   | 412158101 | NET CABLE AU                   |
| 5 | 412991403 | FOOT CONTR.CPL. GREY W.WIND    |
| 6 | 412493001 | CONTROL UNIT W. WINDER         |
| 7 | 412184501 | FOOT                           |
| 8 | 413071901 | COVER CPL.                     |

N

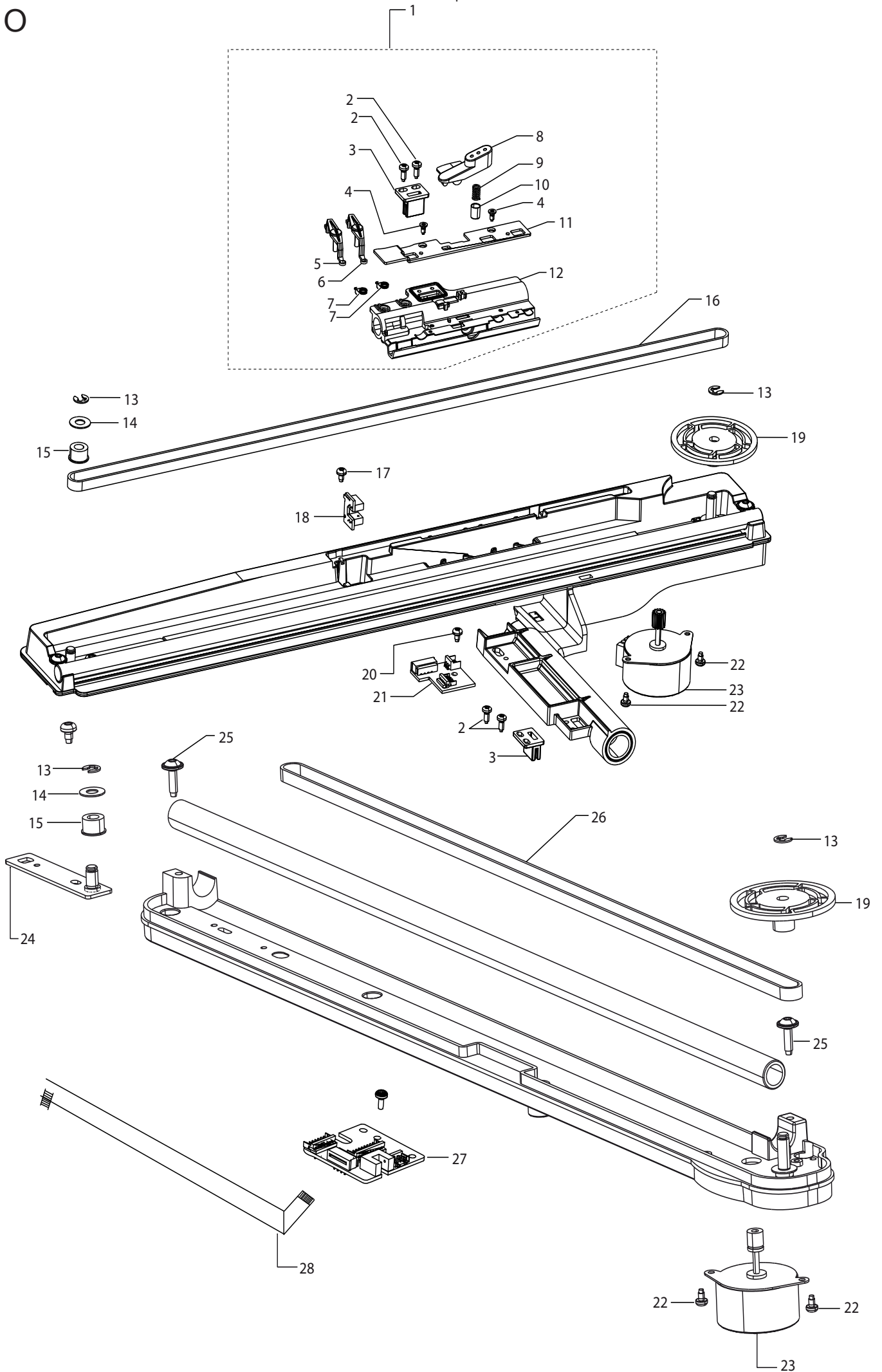
Pfaff creative performance



|    |           |                              |
|----|-----------|------------------------------|
| 1  | 413126201 | TOP COVER XY-UNIT            |
| 2  | 413126301 | COVER, XY-UNIT               |
| 3  | 413126501 | COVER, Y-ARM XY-UNIT         |
| 4  | 413027501 | SUPPORT ARM, Y-ARM           |
| 5  | 413126601 | MOTOR COVER, Y-ARM           |
| 6  | 412721401 | SPRING, LATCH P08-E          |
| 7  | 413027701 | HANDLE LATCH                 |
| 8  | 413027601 | LATCH                        |
| 9  | 413027802 | CONNECTING ROD, LATCH X=200  |
| 10 | 413126401 | GUIDE SUPPORT ARM            |
| 11 | 413126102 | BOTTOM COVER, XY-UNIT, BLACK |
| 12 | 413028801 | CABLING, XY-UNIT CPL.        |
| 13 | 411966820 | SCREW 30*10 FZB KOMBITORX    |
| 14 | 411966807 | SCREW PT 40*10 FZB TORX      |
| 15 | 413028501 | FOOT, XY-UNIT CPL.           |

Pfaff creative performance

O

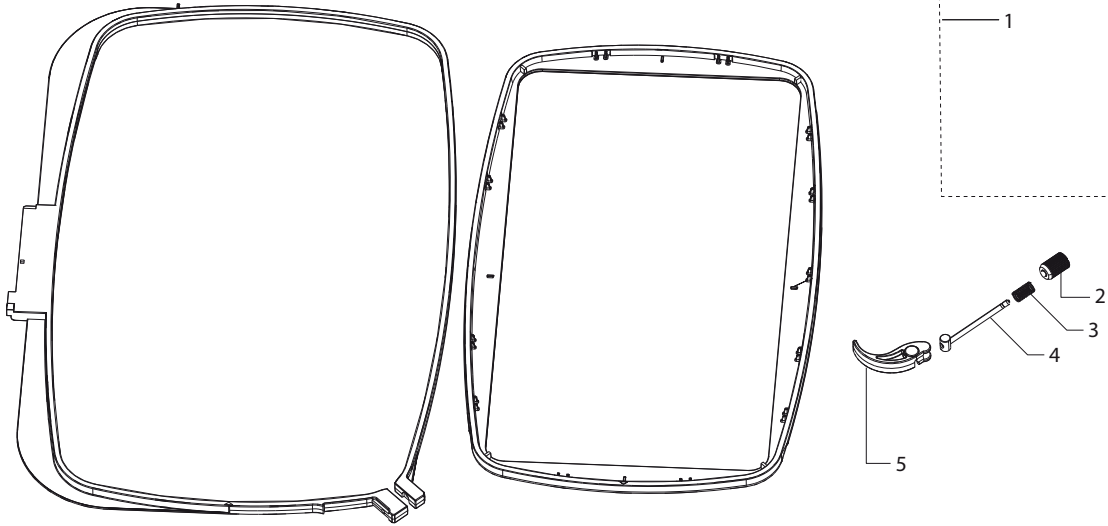




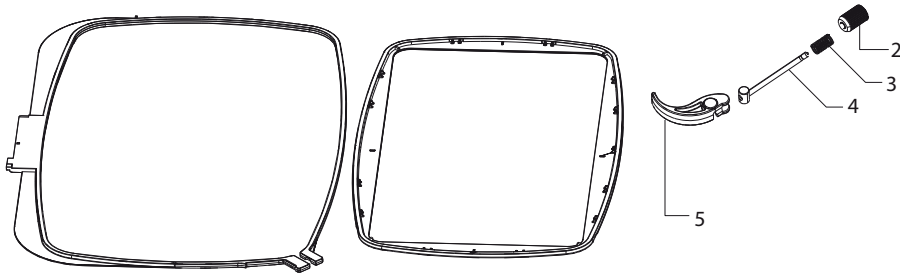
|    |           |                             |
|----|-----------|-----------------------------|
| 1  | 413026701 | Y-SLED CPL.                 |
| 2  | 411966801 | SCREW PT 30*7,5 FZB TORX    |
| 3  | 412525301 | HOLDER Y-COG BELT           |
| 4  | 411967306 | SCREW PT FS 25*6 OXSV TORX  |
| 5  | 412749801 | SENS. EMBR. FRAME           |
| 6  | 412525402 | EMBR. FRAME SENSOR          |
| 7  | 412555701 | SPRING                      |
| 8  | 413030201 | LOCKING ARM Y-SLED          |
| 9  | 412526601 | SPRING                      |
| 10 | 412590003 | SLEEVE                      |
| 11 | 413026901 | PANEL,Y-SLED CPL.           |
| 12 | 413026801 | Y-SLED                      |
| 13 | 735310820 | LOCK WASHER 4               |
| 14 | 412384301 | WASHER 6/13*0,6             |
| 15 | 412384202 | COG WHEEL                   |
| 16 | 413075201 | SYNCHRONOUS BELT, Y-FRAME   |
| 17 | 412056011 | SCREW TAPTITE M3*5 TORX     |
| 18 | 413029601 | BOARD,HOOP DETECTION CPL.   |
| 19 | 412524601 | GEAR WHEEL                  |
| 20 | 412056001 | SCREW TAPTITE M5*14 TORX    |
| 21 | 413029301 | BOARD, Y-ARM CPL.           |
| 22 | 412056004 | SCREW TAPTITE M3*6 TORX     |
| 23 | 413029901 | STEPPER MOTOR, XY-UNIT CPL. |
| 24 | 412524901 | PLATE, BELT TENSION CPL.    |
| 25 | 413169401 | COLLAR SCREW TT TORX 4*14   |
| 26 | 412526702 | Y-BELT                      |
| 27 | 413029002 | BOARD, XY-UNIT CPL. 260*200 |
| 28 | 412388107 | FLEX CABLE                  |

P

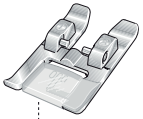
260x200



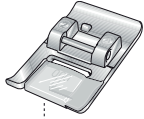
120x120



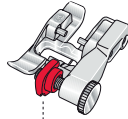
|   |           |                                |
|---|-----------|--------------------------------|
| 1 | 413116502 | EMBROIDERY FRAME 260*200 PFAFF |
| 2 | 412996501 | NUT. EMBR. FRAME               |
| 3 | 412620701 | SPRING, EMBROIDERY HOOP        |
| 4 | 412956204 | SCREW CPL. HOOP                |
| 5 | 412984701 | LOCKING HANDLE EMBR. HOOP      |
| 6 | 412968202 | EMBROIDERY FRAME CPL. 120*115  |



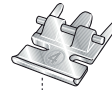
2



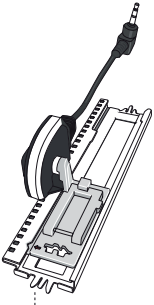
3



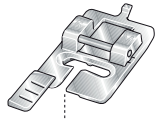
4



5



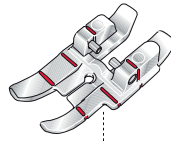
6



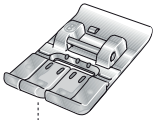
7



8



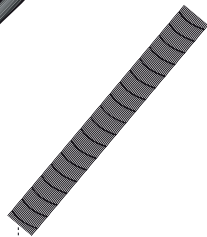
10



11



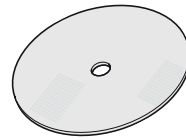
12



13



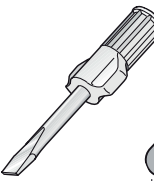
14



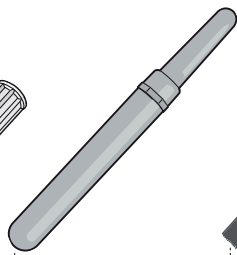
15



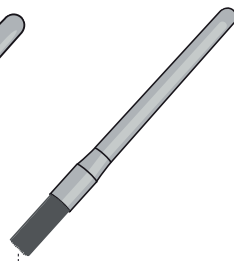
16



17



18



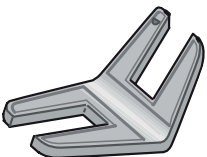
19



20



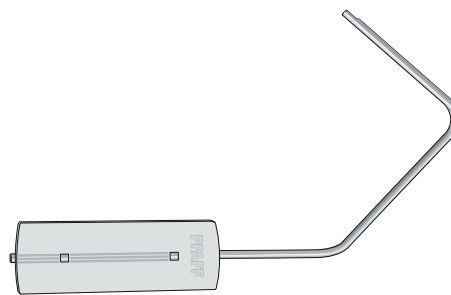
21



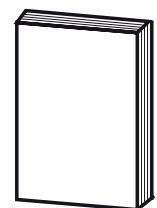
23



24



25



26

Standard Accessories

|    |              |  |
|----|--------------|--|
|    | 413 02 16 22 | Accessory bag cpl                              |
| 12 | 412 69 34 06 | Stylus   |
| 13 | 412 39 77 01 | Thread net                                     |
| 14 | 820251096    | Edge guide                                     |
| 15 | 412 61 07 01 | Felt pad                                       |
| 17 | 412 38 15 01 | Screwdriver                                    |
| 18 | 401 53 99 01 | Seamripper                                     |
| 19 | 401 55 55 01 | Brush  |
| 20 | 413 05 16 03 | Spoolcap large 45mm                            |
| 21 | 413 05 16 02 | Spoolcap medium 35mm                           |
| 23 | 413 10 56 01 | Clearance plate                                |
| 24 | 820921096    | Bobbin 10pack                                  |
| 25 | 413 10 97 01 | Kneelifter cpl                                 |
|    | 413 31 79 01 | Microfiber cloth cpl.                          |
|    |              |  |
| 16 | 413095708    | USB EMBROIDERY STICK 1 GB PF                   |
|    | 412625901    | USB Cable without ferritcore - USA/CAN version |
|    | 412625904    | USB Cable with ferritcore                      |
| 2  | 820774096    | Presser foot 1A FANCY STITCH FOOT W IDT        |
| 3  | 413 06 05 01 | Presser foot 2A FANCY STITCH FOOT              |
| 4  | 820256096    | Presser foot 3 BLINDHEM FOOT W IDT             |
| 5  | 820248096    | Presser foot 4 ZIPPER FOOT W.IDT               |
| 6  | 413170301    | Presser foot 5A SENSORMATIC BUTTONHOLE FOOT    |
| 7  | 820672096    | Presser foot 5M MAN. BUTTONHOLE FOOT           |
| 8  | 820671096    | Presser foot 6A EMBR/SENSOMATIC FREE-MOTION    |
|    | 820249096    | Presser foot 7 ROLLED HEM FOOT 3 MM WITH IDT   |
| 10 | 412864906    | Presser foot Quilt foot                        |
| 11 | 820259096    | Presser foot 8 MAXI STITCH FOOT                |
|    |              |  |
|    | Users Guide  |  |
| 26 | 413 33 03 01 | Swe  |
|    | 413 33 03 06 | Den  |
|    | 413 33 03 11 | Fin  |
|    | 413 33 03 21 | Nor  |
|    | 413 33 03 26 | Eng  |
|    | 413 33 03 31 | Fra  |
|    | 413 33 03 36 | Hol  |
|    | 413 33 03 41 | Ita  |
|    | 413 33 03 46 | Spa  |
|    | 413 33 03 51 | Ger  |
|    | 413 33 03 56 | Rus  |
|    | 413 33 03 60 | Por  |
|    | 413 33 03 76 | Tur  |