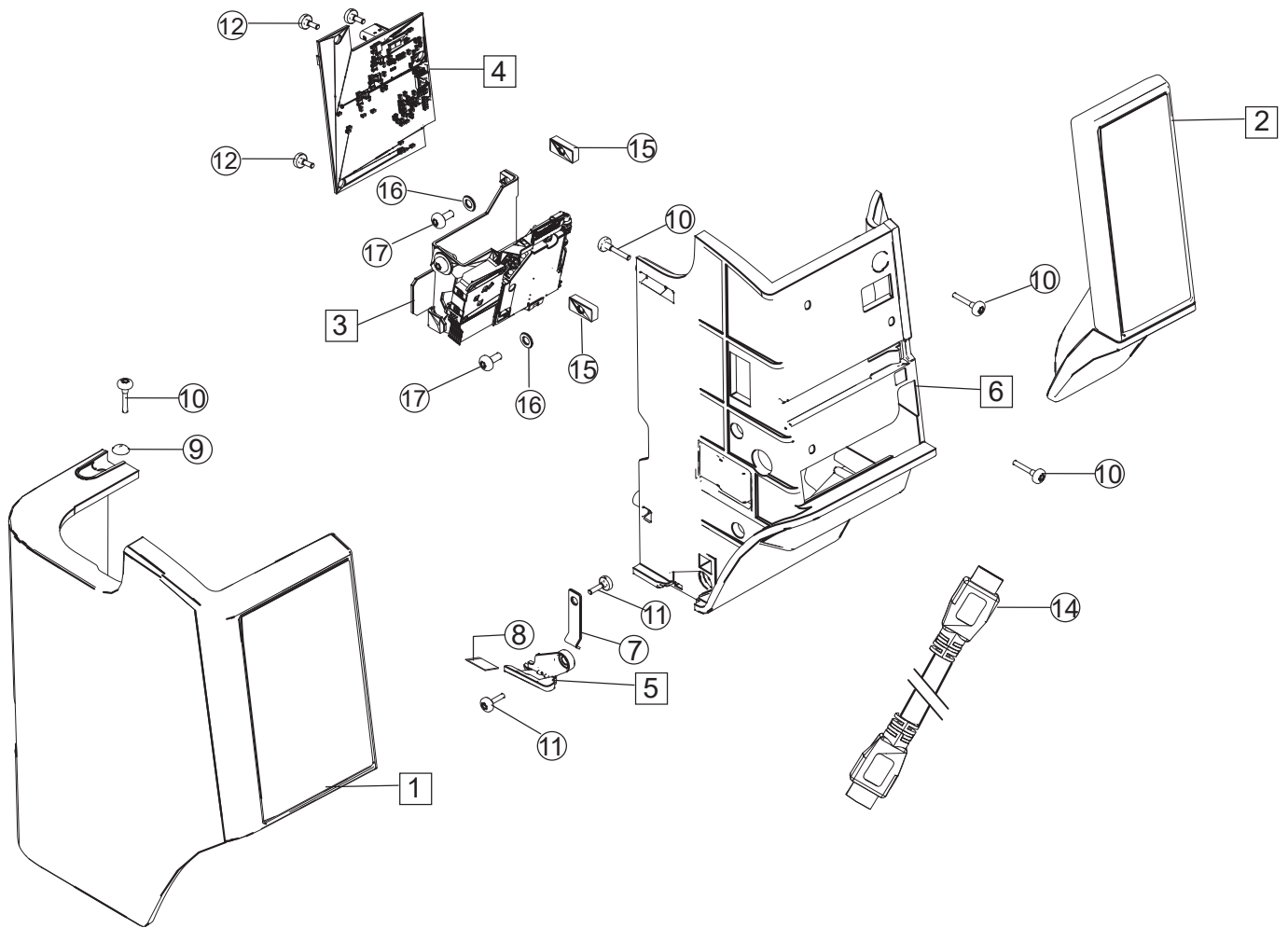


PFAFF

Creative Icon 2

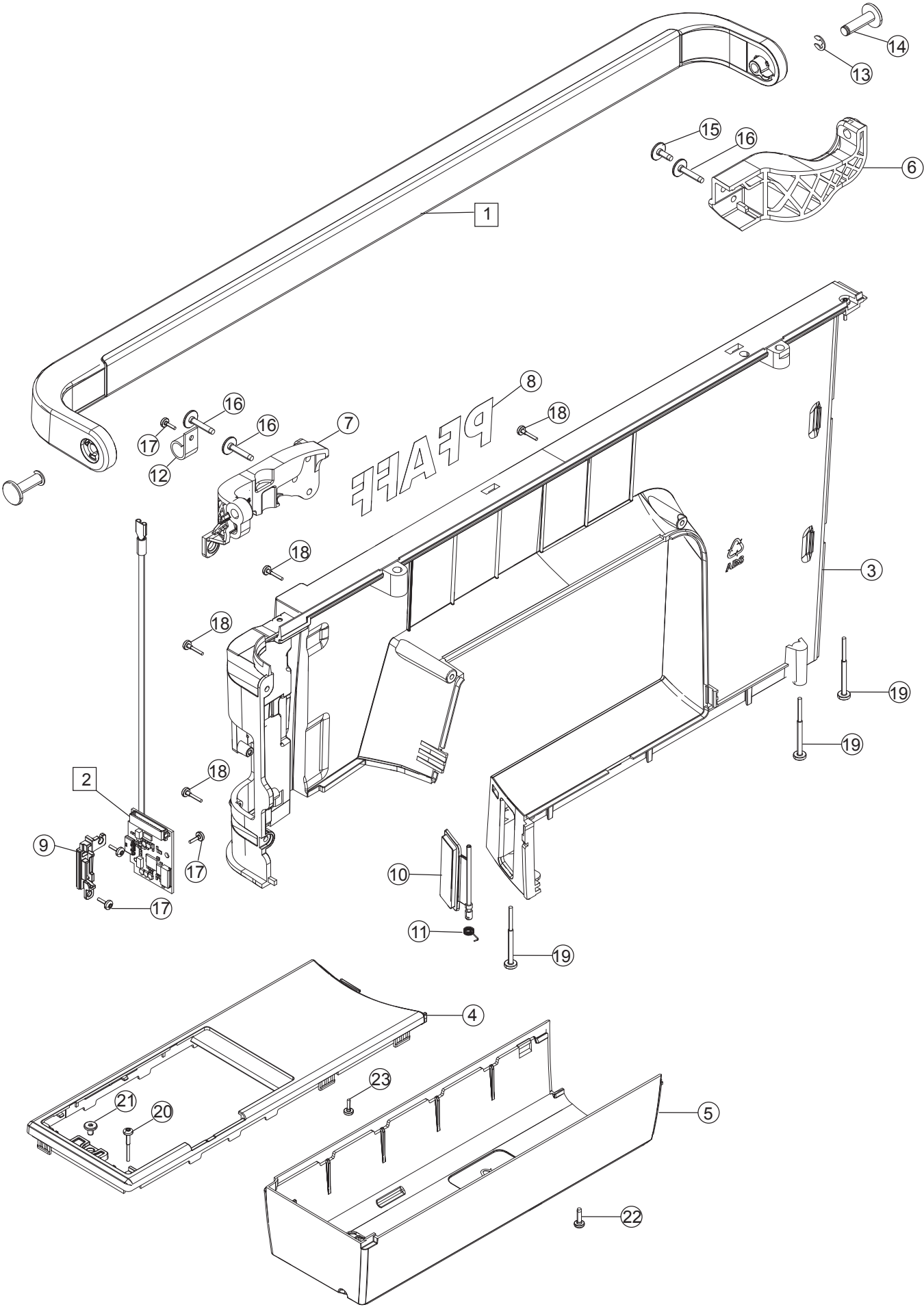
Parts List

A



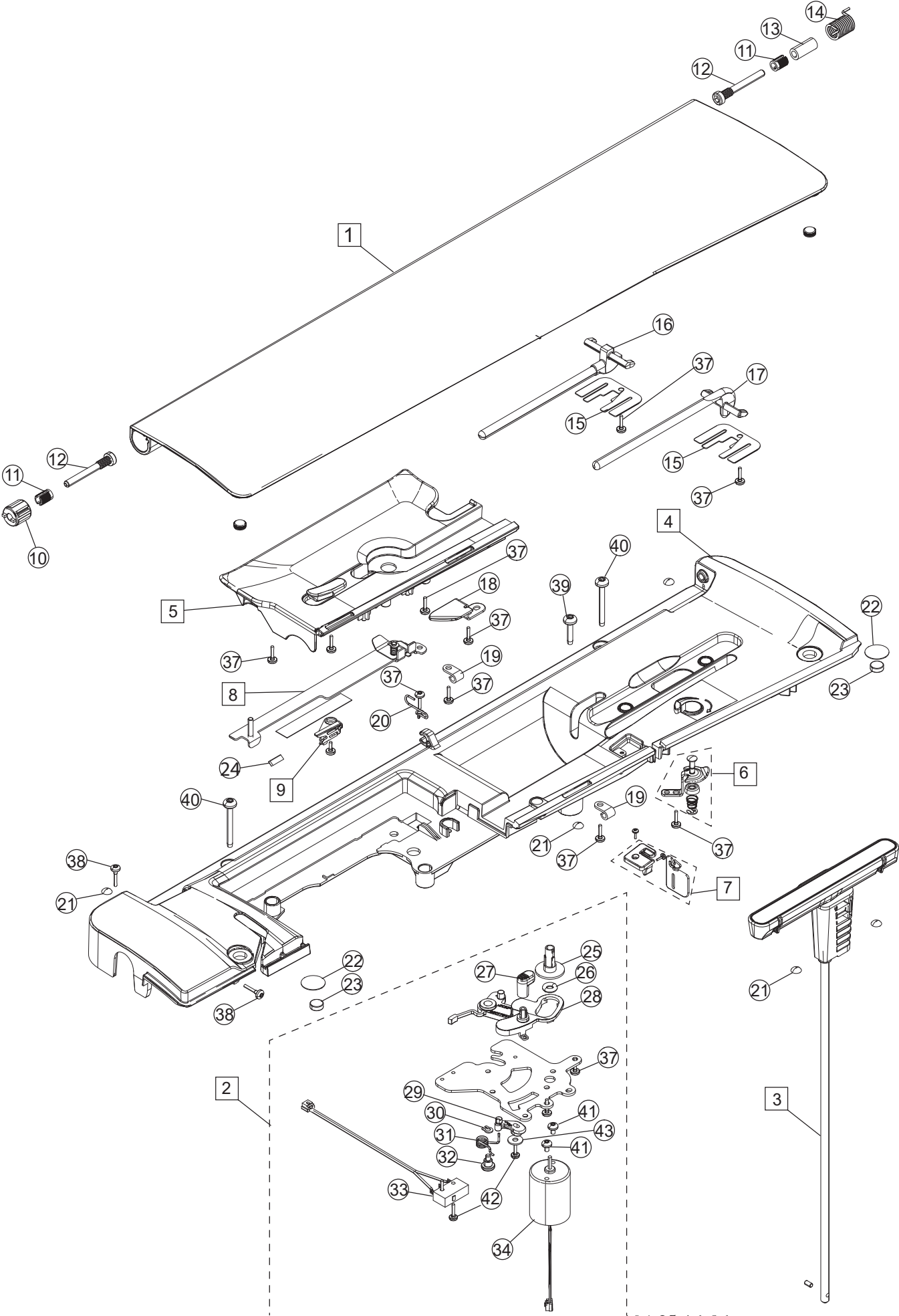
| | | |
|----|-----------|--|
| 1 | 68014249 | Sewing Head cover PA Cpl - Purple Auora (Standard) |
| 1 | 68015628 | Sewing Head cover PA Cpl - Dusk Fabric |
| 1 | 68019119 | Sewing Head cover PA Cpl - Winter White |
| 1 | 68019108 | Sewing Head cover PA Cpl - Northern Lights |
| 2 | 68015595 | Cover CSU PA Cpl - Purple Auora (Standard) |
| 2 | 68015815 | Cover CSU PA Cpl- Dusk Fabric |
| 2 | 68015842 | Cover CSU PA Cpl- Winter White |
| 2 | 68015868 | Cover CSU PA Cpl- Northern Lights |
| 3 | 68015250 | Projector Cpl |
| 4 | 68014664 | Projector Driver Board |
| 5 | 68001886 | Thread Cutter Cpl |
| 6 | 68015742 | Cover Sewing Head |
| 7 | 68008745 | Plate Spring |
| 8 | 412423701 | Thread Cutter |
| 9 | 412569701 | Damper |
| 10 | 411966803 | Screw PT 3x12 FZB |
| 11 | 411966801 | Screw PT 3x7,7 FZB |
| 12 | 411966828 | Screw PT 3x6 FZB |
| 13 | 68014670 | Bracket Camera Cpl |
| 14 | 68025541 | Projector Cable marked |
| 15 | 68015586 | Rectangular Nut M3 |
| 16 | 411981401 | Washer 3,2x6x0,5 |
| 17 | 412211402 | Screw M3x6 |

B



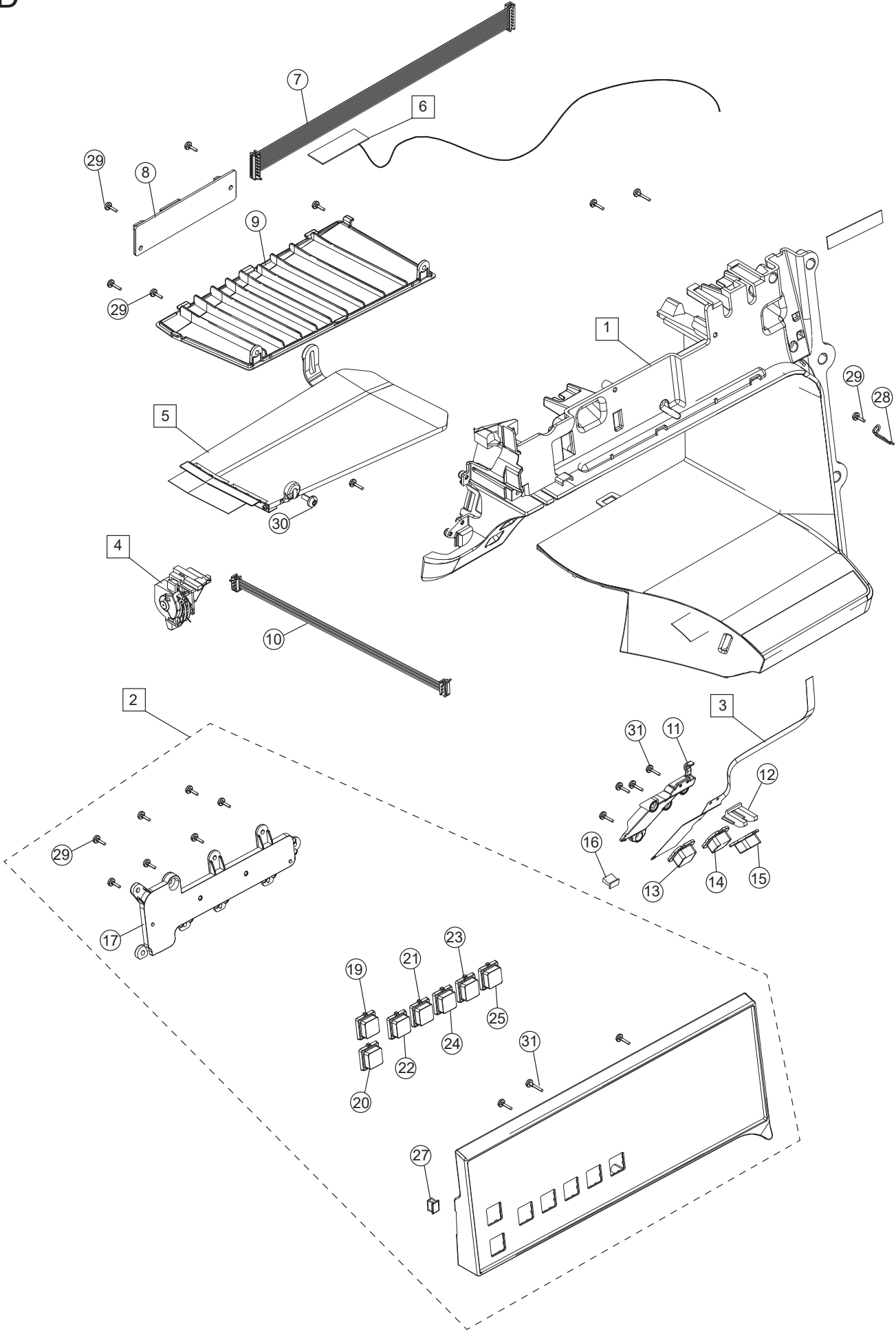
| | | |
|----|-----------|--------------------------------------|
| 1 | 68015490 | Handle Cpl- Purple Auora (Standard) |
| 1 | 68015885 | Handle Cpl- Dusk Fabric |
| 1 | 68015901 | Handle Cpl- Winter White |
| 1 | 68015921 | Handle Cpl- Northern Lights |
| 2 | 68001620 | Accessory Connector Board Cpl |
| 3 | 68015410 | Cover Rear- Purple Auora (Standard) |
| 3 | 68016595 | Cover Rear- Dusk Fabric |
| 3 | 68016686 | Cover Rear- Winter White |
| 3 | 68016775 | Cover Rear- Northern Lights |
| 4 | 68007000 | Cover Free Arm Upper |
| 5 | 68007001 | Cover Free Arm Lower |
| 6 | 68002980 | Bracket Handle Right |
| 7 | 68002976 | Bracket Handle Left |
| 8 | 68015451 | Pfaff Logotype Letters |
| 9 | 68016249 | Bracket PCB- Purple Auora (Standard) |
| 9 | 68016454 | Bracket PCB- Dusk Fabric |
| 9 | 68016682 | Bracket PCB- Winter White |
| 9 | 68016772 | Bracket PCB- Northern Lights |
| 10 | 68007012 | Lid |
| 11 | 413068601 | Torsion Spring |
| 12 | 68018081 | Screw Mountable Wire |
| 13 | 735310820 | E-Clip 4x0.7 |
| 14 | 68003203 | HCB Bolt |
| 15 | 412281904 | Screw Flange M4x10 TT Torx, |
| 16 | 412281901 | Screw Flange M4x18 TT Torx |
| 17 | 411966801 | Screw PT 3x7,7 FZB |
| 18 | 411966803 | Screw PT 3x12 FZB |
| 19 | 411966812 | Screw PT 4x40 FZB |
| 20 | 411966805 | Screw PT 3x20 FZB |
| 21 | 412287903 | Screw M4x5 |
| 22 | 412056010 | Screw TT M3x10 |

C



| | | |
|----|-----------|-------------------------------|
| 1 | 68016110 | Lid Cpl |
| 2 | 68003774 | Bobbin Winding Cpl |
| 3 | 68016346 | Telescoping Thread Guide Cpl |
| 4 | 68016153 | Top cover Spool Area |
| 5 | 68015111 | Cover Pretension |
| 6 | 68004795 | Bobbin Winding Pretension Cpl |
| 7 | 68003352 | Thread Guide Cpl |
| 8 | 68016890 | Pre tension Cpl |
| 9 | 68001886 | Thread Cutter Cpl, |
| 10 | 68015562 | Damper lid |
| 11 | 68015495 | Threaded Insert lid |
| 12 | 68015472 | Pin Screw lid |
| 13 | 68015976 | Bushing lid |
| 14 | 68015445 | Spring |
| 15 | 68001905 | Plate spring |
| 16 | 413064501 | Reel Pin |
| 17 | 68003992 | Spool Pin |
| 18 | 68004134 | Thread Guide |
| 19 | 68005075 | Wire Clip |
| 20 | 68003232 | Thread Guide |
| 21 | 412569701 | Damper |
| 22 | 68003151 | Damper for lid |
| 23 | 68003021 | Magnet 8x3 N35 |
| 24 | 412423701 | Thread Cutter |
| 25 | 68002053 | Top Spole for bobbin winding |
| 26 | 412305502 | O-Ring |
| 27 | 68001954 | Bobbin Winding Stop |
| 28 | 68017941 | Lever Winding Stop |
| 29 | 68001908 | Switch Lever Winder |
| 30 | 735612440 | Compression Ring Ø3x0.6 |
| 31 | 412757701 | Torsion Spring Winding Stop |
| 32 | 68003042 | Shaft |
| 33 | 68002070 | Microswitch Cpl |
| 34 | 68002061 | Bobbin Winding Motor Cpl |
| 35 | | |
| 36 | | |
| 37 | 411966820 | Screw PT 3x10 FZB |
| 38 | 411966803 | Screw PT 3x12 FZB |
| 39 | 412056007 | Screw TT M4x16 |
| 40 | 412056009 | Screw TT M4x30 |
| 41 | 412211401 | Screw M3x4 TORX |
| 42 | 412211423 | Screw M2,5x9 FZB 5.8 TORX |
| 43 | 734112541 | Washer 9x3,2x0,9 |

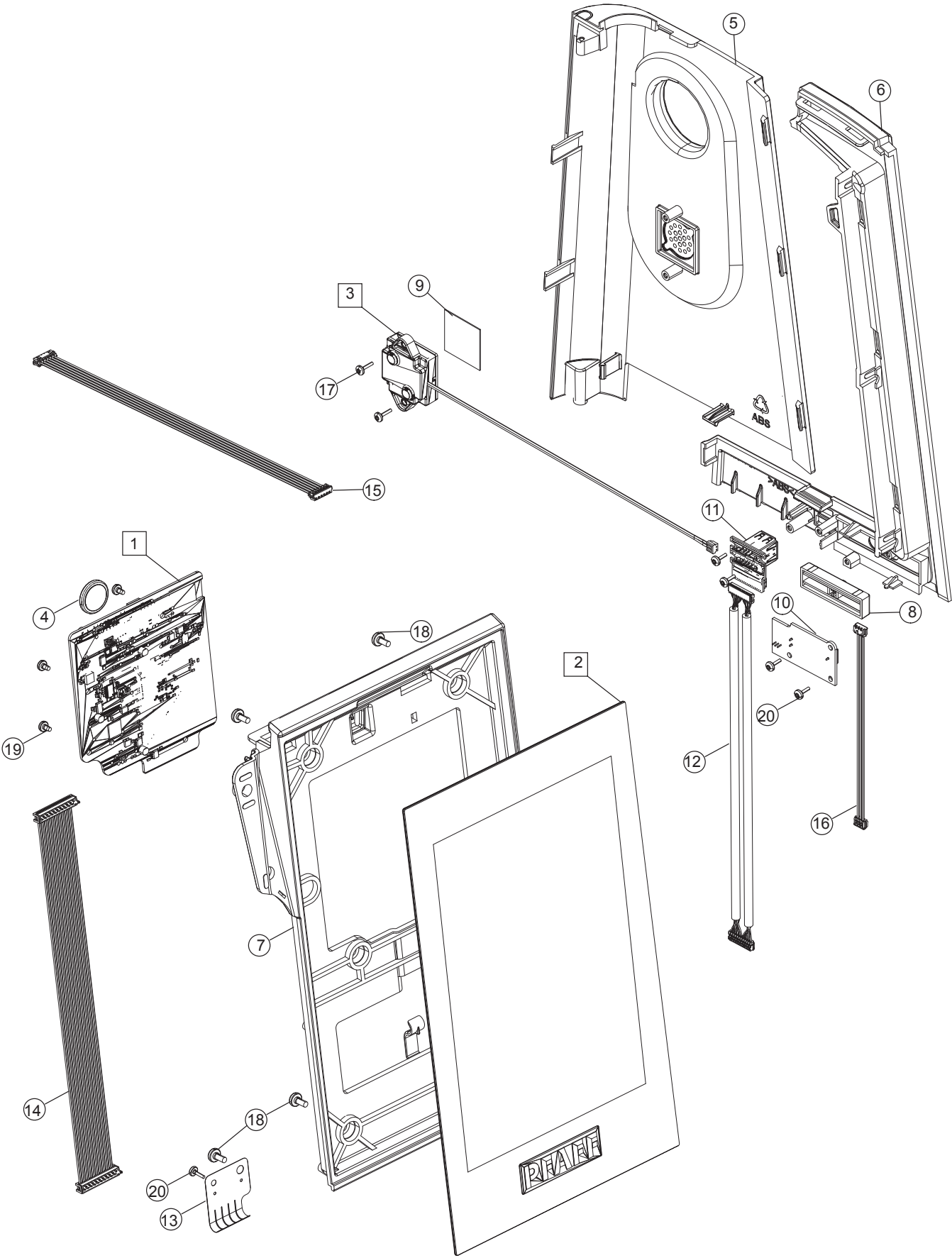
D



PFAFF Creative Icon 2

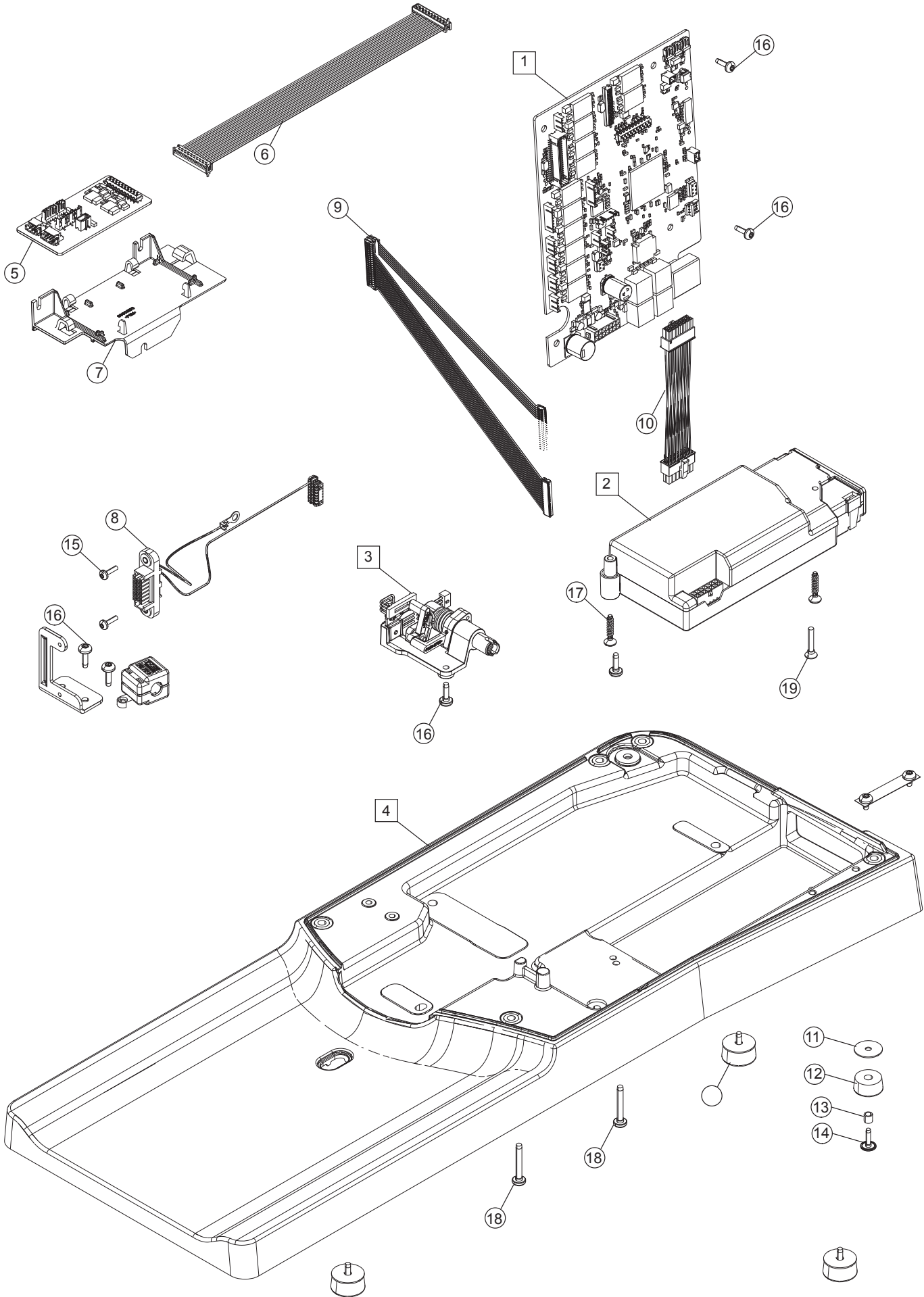
| | | |
|----|-----------|---|
| 1 | 68015196 | Cover Front |
| 2 | 68015670 | Decor Front Cpl-Purple Auora (Standard) |
| 2 | 68015537 | Decor Front Cpl- Dusk Fabric |
| 2 | 68015740 | Decor Front Cpl- Winter White |
| 2 | 68015747 | Decor Front Cpl- Northern Lights |
| 3 | 68015606 | FPC Indicator/Button |
| 4 | 68012425 | Thread Sensor Cpl |
| 5 | 68009772 | Light Guide C Cpl |
| 6 | 68001638 | Wifi Antenna Board Cpl |
| 7 | 68003013 | Cable Assembly (14PIN) Application Board - Right Panel |
| 8 | 68015510 | Right Panel Connector Board Cpl |
| 9 | 68016919 | Light Diffuser |
| 10 | 68003027 | Cable Assembly (6PIN)Right Panel-Upper Thread Sensor |
| 11 | 68016575 | Bracket Indicators and Buttons |
| 12 | 68015551 | Light Diffuser Indicator |
| 13 | 68015701 | Reverse Button |
| 14 | 68015699 | Start/Stop Button |
| 15 | 68014238 | Projector Button |
| 16 | 413233501 | Brush Pile Seal |
| 17 | 68016567 | Bracket Keyboard |
| 18 | | |
| 19 | 68015237 | Key Presser Foot Up -Purple Auora (Standard) |
| 19 | 68015547 | Key Presser Foot Up- Dusk Fabric |
| 19 | 68015755 | Key Presser Foot Up- Winter White |
| 19 | 68015771 | Key Presser Foot Up - Northern Lights |
| 20 | 68015236 | Key Presser Foot Down- Purple Auora (Standard) |
| 20 | 68015548 | Key Presser Foot Down- Dusk Fabric |
| 20 | 68015763 | Key Presser Foot Down- Winter White |
| 20 | 68015784 | Key Presser Foot Down- Northern Lights |
| 21 | 68015239 | Key Thread Snips - Purple Auora (Standard) |
| 21 | 68015545 | Key Thread Snips- Dusk Fabric |
| 21 | 68015762 | Key Thread Snips- Winter White |
| 21 | 68015781 | Key Thread Snips- Northern Lights |
| 22 | 68015243 | Key Automatic Needle Threader - Purple Auora (Standard) |
| 22 | 68015546 | Key Automatic Needle Threader- Dusk Fabric |
| 22 | 68015753 | Key Automatic Needle Threader- Winter White |
| 22 | 68015769 | Key Automatic Needle Threader- Northern Lights |
| 23 | 68015244 | Key Stitch Restart - Purple Auora (Standard) |
| 23 | 68015543 | Key Stitch Restart- Dusk Fabric |
| 23 | 68015757 | Key Stitch Restart- Winter White |
| 23 | 68015773 | Key Stitch Restart- Northern Lights |
| 24 | 68015248 | Key Immediate Tie-Off -Purple Auora (Standard) |
| 24 | 68015544 | Key Immediate Tie-Off- Dusk Fabric |
| 24 | 68015759 | Key Immediate Tie-Off- Winter White |
| 24 | 68015776 | Key Immediate Tie-Off- Northern Lights |
| 25 | 68015234 | Key Needle Up/Down- Purple Auora (Standard) |
| 25 | 68015542 | Key Needle Up/Down- Dusk Fabric |
| 25 | 68015761 | Key Needle Up/Down- Winter White |
| 25 | 68015779 | Key Needle Up/Down- Northern Lights |
| 26 | | |
| 27 | 68001716 | Brush Pile Seal |
| 28 | 68002930 | Thread Guide |
| 29 | 411966801 | Screw PT 3x7,7 |
| 30 | 412211411 | Screw M4x8 TORX |
| 31 | 411966820 | Screw PT 3x10 FZB |

E



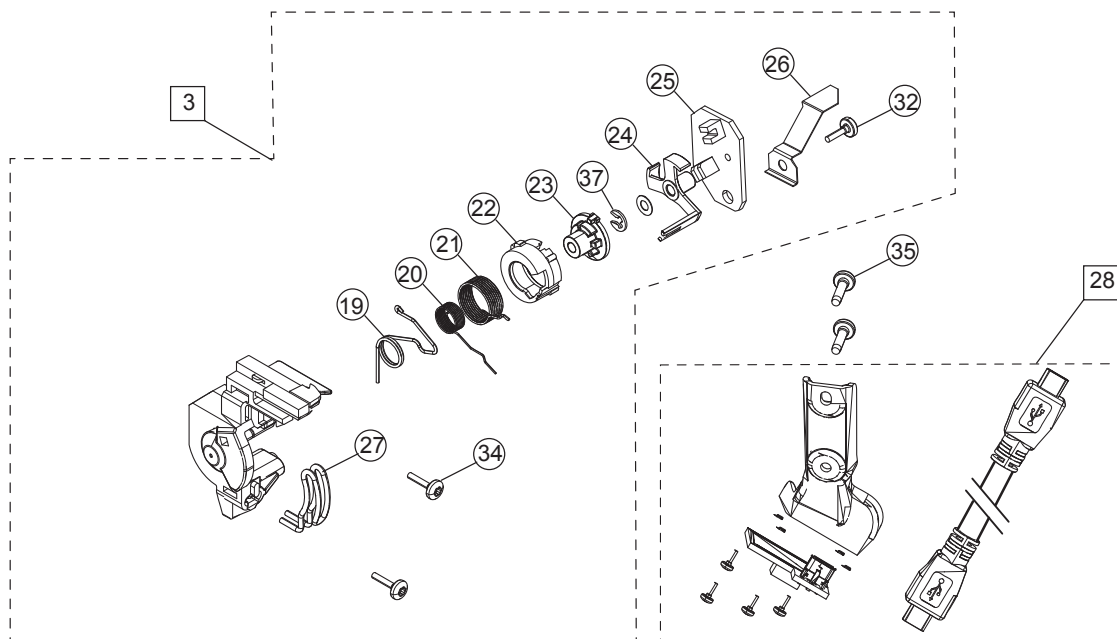
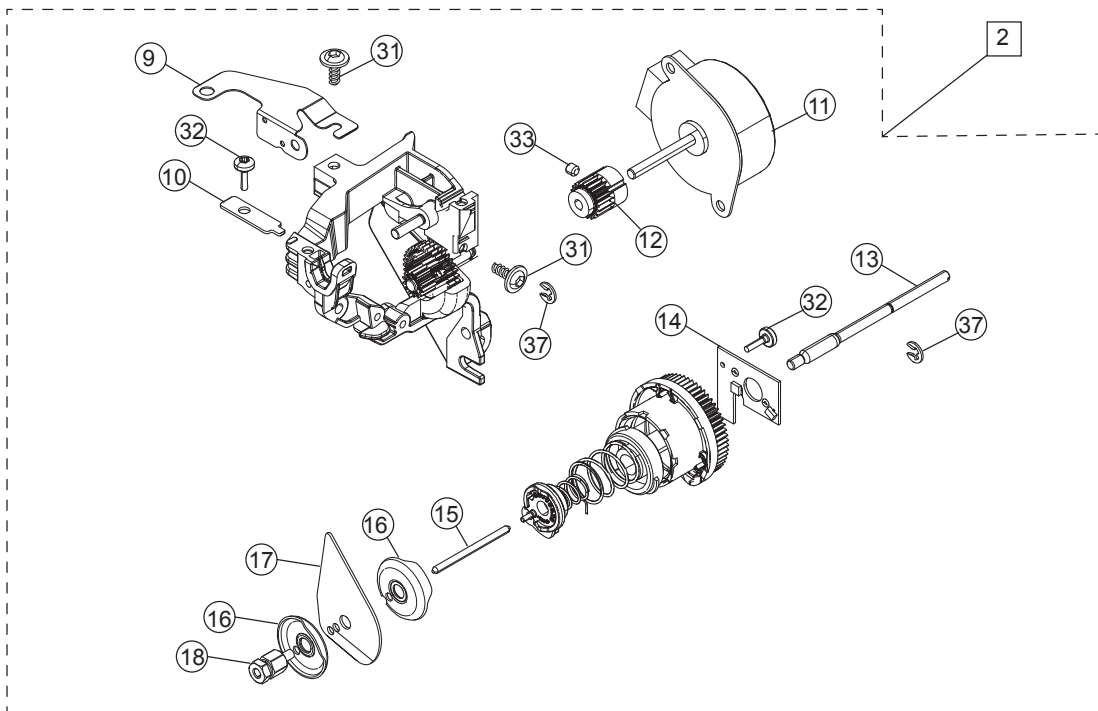
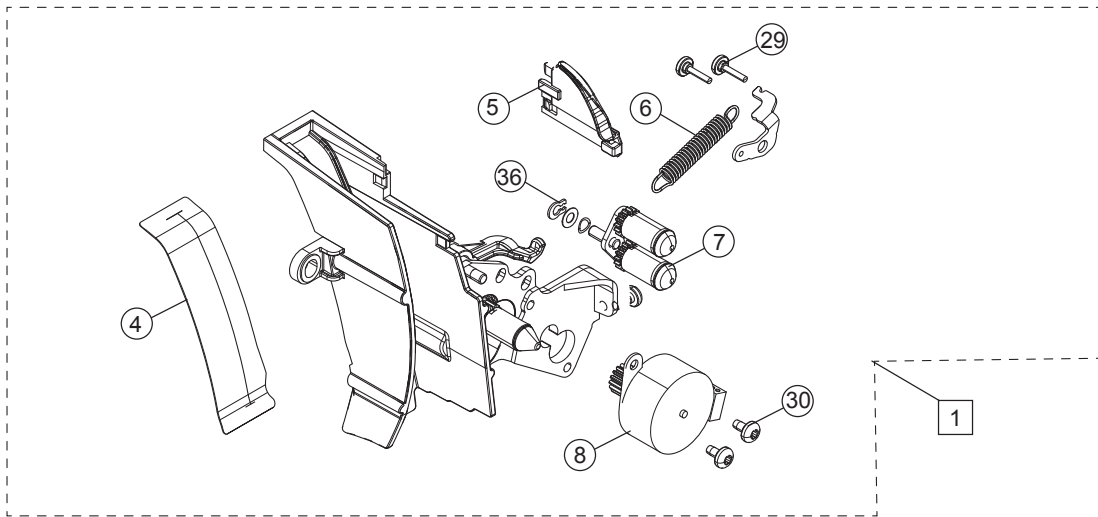
| | | |
|----|-----------|--|
| 1 | 68014429 | Application Board Cham High Icon II Cpl, |
| 2 | 68015533 | Display Cpl -Purple Auora (Standard) |
| 2 | 68015823 | Display Cpl- Dusk Fabric |
| 2 | 68015947 | Display Cpl- Winter White |
| 2 | 68015496 | Display Cpl - Northern Lights |
| 3 | 68014445 | Speaker Box Part Cpl |
| 4 | | Battery CR2032 |
| 5 | 68016147 | Cover Gable |
| 6 | 68015217 | Side Panel |
| 7 | 68015312 | Decor Display - Purple Auora (Standard) |
| 7 | 68015566 | Decor Display- Dusk Fabric |
| 7 | 68015579 | Decor Display- Winter White |
| 7 | 68015822 | Decor Display- Northern Lights |
| 8 | 68014390 | Slider Lever |
| 9 | 68015743 | Mesh, speaker |
| 10 | 68018087 | Speed Slider Cpl |
| 11 | 68014645 | USB Connector Board Cpl |
| 12 | 68001937 | Cable USB Cpl |
| 13 | 68018229 | EMI Shield |
| 14 | 68009756 | Cable Assembly Base Board - Application Board 20 PIN |
| 15 | 68009757 | Cable Assembly Base Board - Application Board 12 PIN |
| 16 | 68014518 | Cable Assembly Base board - Speed Board 6 PIN |
| 17 | 411966820 | Screw PT 3x10 FZB |
| 18 | 412211411 | Screw M4x8 TORX |
| 19 | 412056011 | Screw TT M3x5 |
| 20 | 411966801 | Screw PT 3x7,7 |

F



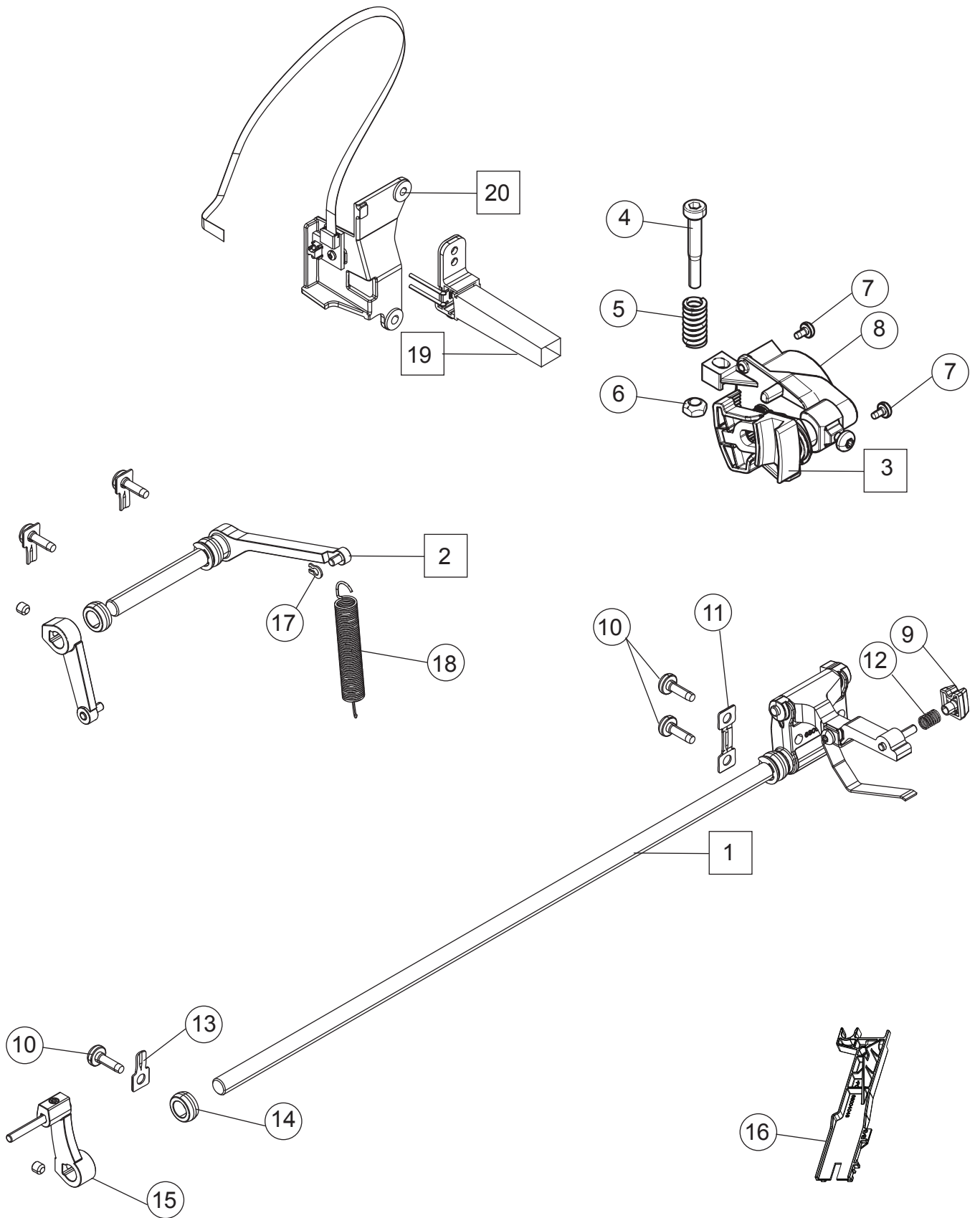
| | | |
|----|-----------|---|
| 1 | 68003293 | Base Board Cpl |
| 2 | 68014422 | Power Supply Cpl |
| 3 | 413050201 | Knee Lift Cpl |
| 4 | 68015875 | Base Plate |
| 5 | 68001644 | Right Connector Board Cpl |
| 6 | 68009758 | Cable Assembly Base Board - Right Connector Board |
| 7 | 68003103 | Right Connector Board Holder |
| 8 | 68003201 | Cable Assembly Base Board - XY |
| 9 | 68009755 | Cable Assembly Base Board - Sewing Head |
| 10 | 68003014 | Cable Assembly Power supply - Base Board |
| 11 | 68004733 | Washer |
| 12 | 68002022 | Foot |
| 13 | 68002023 | Distance Foot |
| 14 | 413169401 | Collar Screw |
| 15 | 412211404 | Screw M3x10 TORX |
| 16 | 412056006 | Screw TT M4x12 |
| 17 | 411967105 | Screw PT FS 40x20 FZB TORX |
| 18 | 68018123 | Screw TT M5x30 |
| 19 | 412280506 | Screw M4 X 20 FZB Countersunk TORX |

G

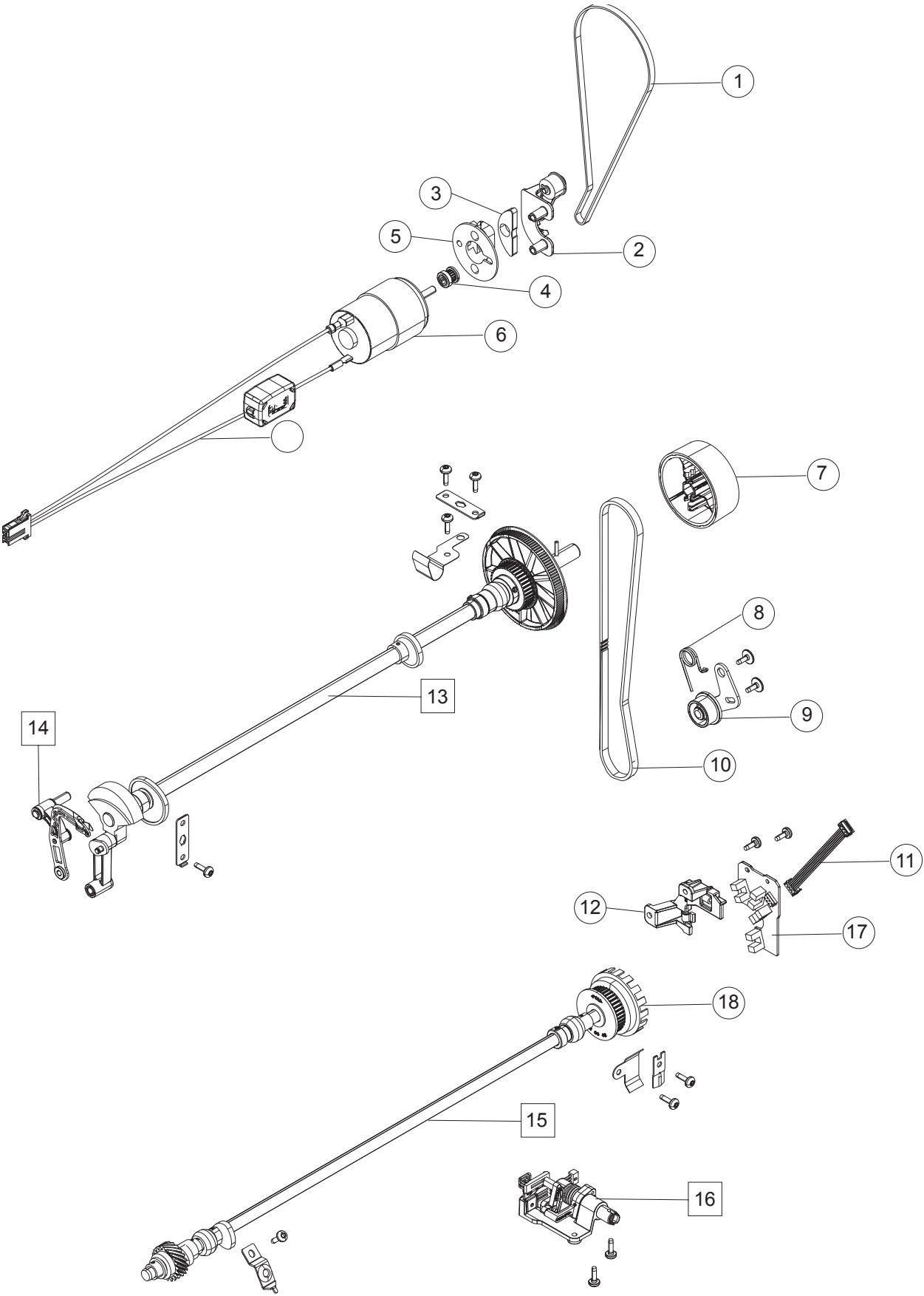


| | | |
|----|---------------|------------------------------|
| 1 | 68012501 | Shield Unit |
| 2 | 68004948 | Thread Tension Unit |
| 3 | 68012425 | Thread Sensor Cpl |
| 4 | 68005160 | Sealing Shield |
| 5 | 68000109 | Thread Guide |
| 6 | 413055501 | Tension Spring |
| 7 | 68012503 | Rocker Cpl |
| 8 | 68003132 | Stepping Motor |
| 9 | 68003536 | Contact Plate |
| 10 | 68003623 | Clamp |
| 11 | 68004946 | Stepping Motor |
| 12 | 68009475 | Gear |
| 13 | 68003616 | Shaft Thread Tension |
| 14 | 68008707 | Calibration Sensor |
| 15 | 413113201 | Pin |
| 16 | 68005172 | Disk Outer Thread Tension |
| 17 | 68005173 | Disk Center Thread Tension |
| 18 | 68003621 | Nut |
| 19 | 413177301 | Safety Spring |
| 20 | 68002465 | Check Spring |
| 21 | 413177201 | Feedback Spring |
| 22 | 413176902 | Adjusting Sleeve Outer Part |
| 23 | 413177001 | Adjusting Sleeve Inner Part |
| 24 | 413177401 | Sensor Thread Take-Up Device |
| 25 | 413202101 | Thread Sensor Board Cpl |
| 26 | 68012431 | EMI Shield |
| 27 | 413176701 | Thread Guide Lower |
| 28 | 68014670 | Bracket Camera Cpl |
| 29 | 413314901 | Screw PT 3x10 with Guide |
| 30 | 412056011 | Screw TT M3x5 |
| 31 | 9303311855000 | Screw 3x8 |
| 32 | 411966801 | Screw PT 3x7,7 FZB |
| 33 | 411968703 | Set Screw Flat M3x3 Torx |
| 34 | 411966820 | Screw PT 3x10 FZB |
| 35 | 412056010 | Screw TT M3x10 |
| 36 | 735612440 | Compression Ring Ø3x0.6, |
| 37 | 735310620 | E-Clip 2.3x0.6 |

H

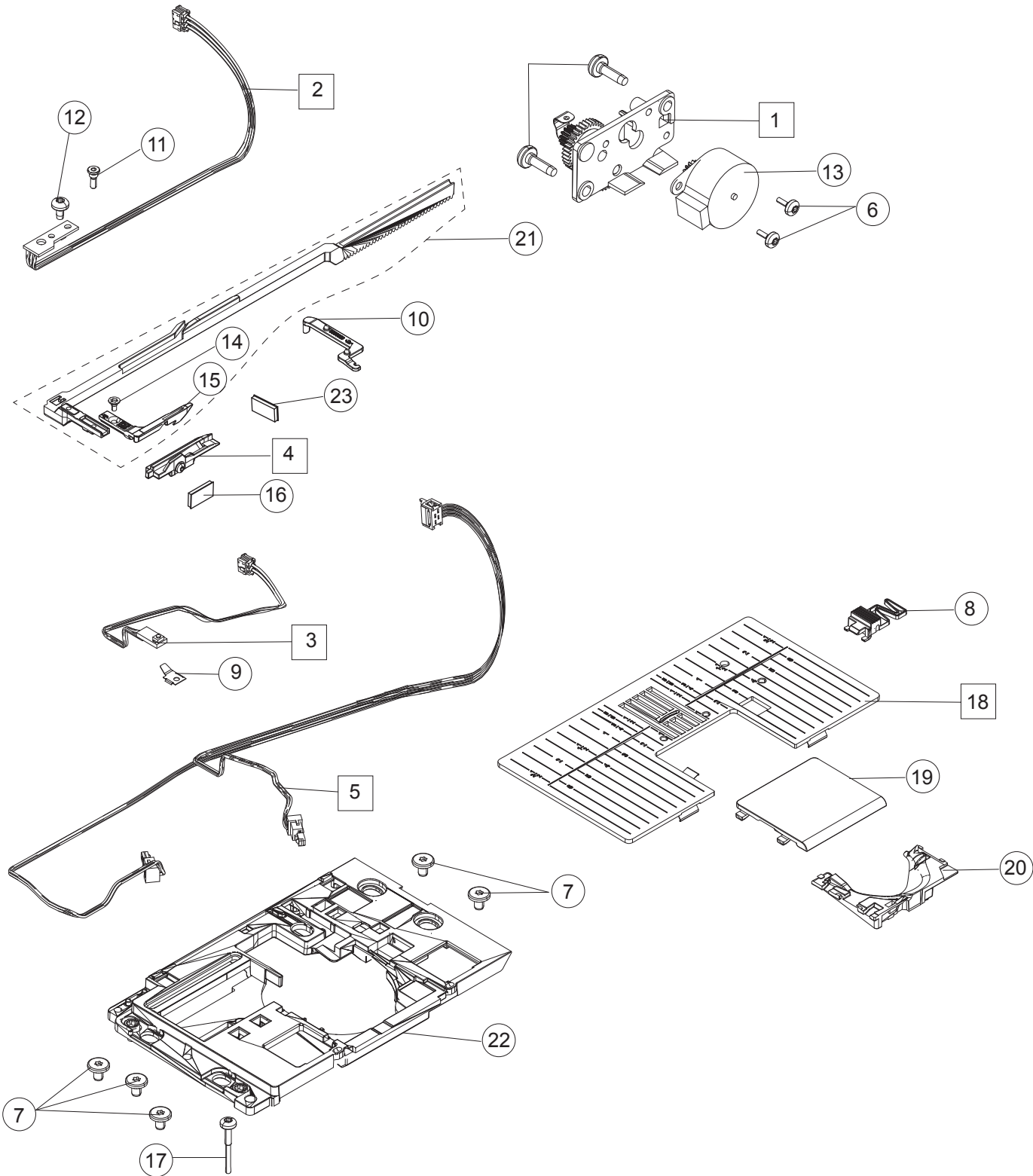


| | | |
|----|-----------|---------------------------|
| 1 | 68005064 | Feeding Length IDT Cpl |
| 2 | 68004742 | IDT Height Feeding Cpl |
| 3 | 68007017 | Guide Unit IDT |
| 4 | 68005004 | Screw Balance Adjustment |
| 5 | 412963601 | Spring |
| 6 | 68005005 | Nut Balance Adjustment |
| 7 | 412056011 | Screw TT M3x5 |
| 8 | | Stepping Motor Cpl |
| 9 | 68001955 | Block Guide IDT |
| 10 | 412056006 | Screw TT M4x12 |
| 11 | 68003274 | Clamp |
| 12 | 68008681 | Compressor Spring |
| 13 | 413042901 | Clamp IDT |
| 14 | 413042601 | Bearing IDT |
| 15 | 68000036 | Front Crank Cpl |
| 16 | 68004048 | IDT Adjustment Tool Focus |
| 17 | 735612440 | Compression Rings Ø 3 |
| 18 | 68003037 | Spring |
| 19 | 68009767 | Light Guide Cpl |
| 20 | 68015054 | IDT Sensor Cpl |



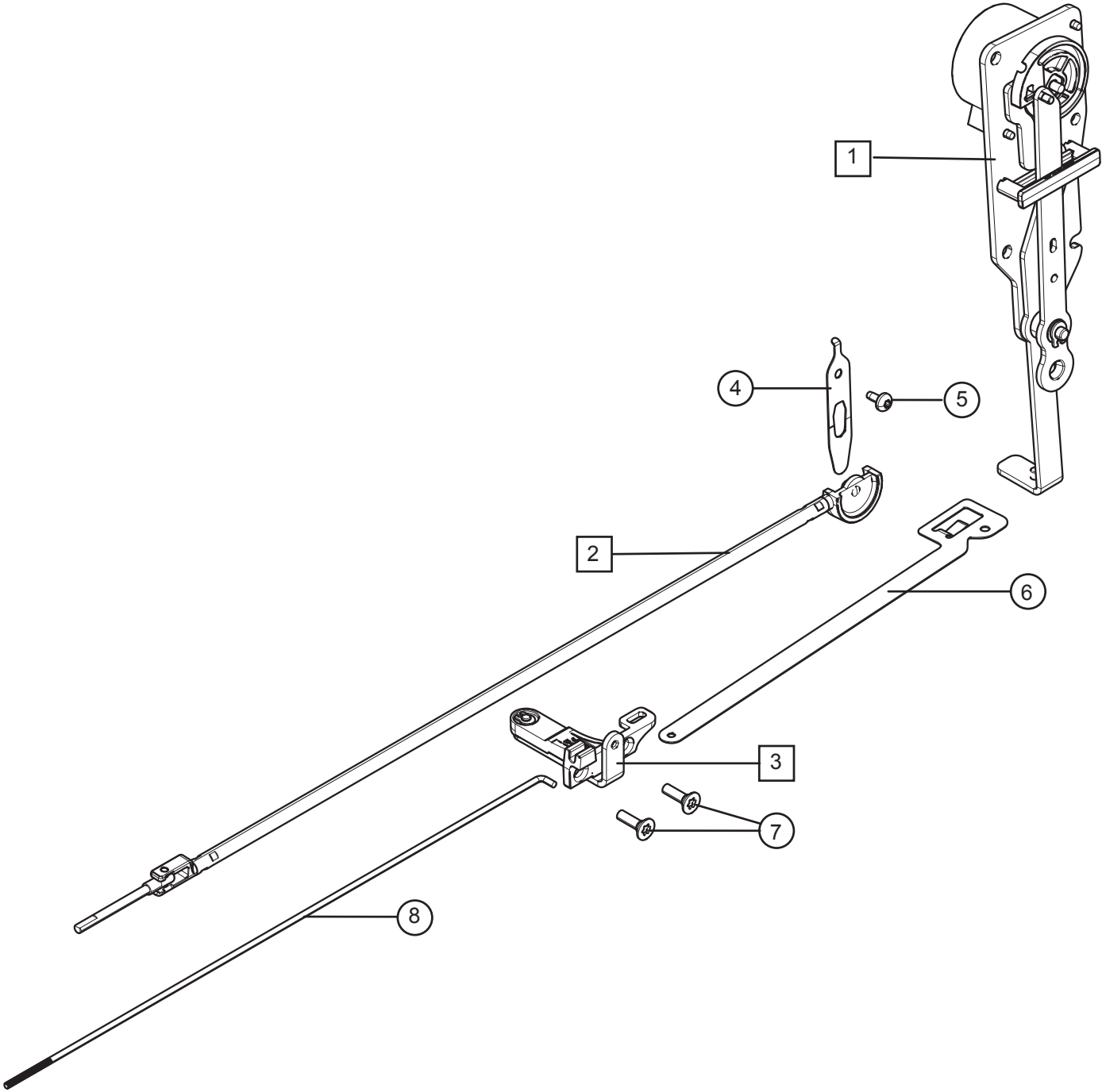
| | | |
|----|-----------|---|
| 1 | 413416101 | Cog Belt |
| 2 | 412971902 | Belt Tensioner Cpl |
| 3 | 68005176 | Spacer Block |
| 4 | 412353302 | PULLEY CPL |
| 5 | 68005148 | Rubber Damper |
| 6 | 68001153 | Motor with Connector |
| 7 | 68014612 | Hand Wheel Cpl |
| 7 | 68015718 | Hand Wheel Cpl- Dusk Fabric |
| 7 | 68015751 | Hand Wheel Cpl - Winter White |
| 7 | 68015772 | Hand Wheel Cpl -Northern Lights |
| 8 | | Spring Belt Tension |
| 9 | 68000114 | Timing Belt Tension Cpl |
| 10 | 413416001 | Cog Belt |
| 11 | 68009761 | Cable Assembly 6 Pin Base Board - Sector Sensor |
| 12 | 68004951 | Bracket Sector Sensor |
| 13 | 68016833 | Upper Shaft Part Cpl |
| 14 | 68000100 | Take Up Lever Cpl |
| 15 | 68008234 | Lower Shaft Cpl |
| 16 | 413050201 | Knee Lift Cpl |
| 17 | 68001641 | Sector Sensor Board Cpl |
| 18 | 68000112 | Shield Revolution Indicator |

J



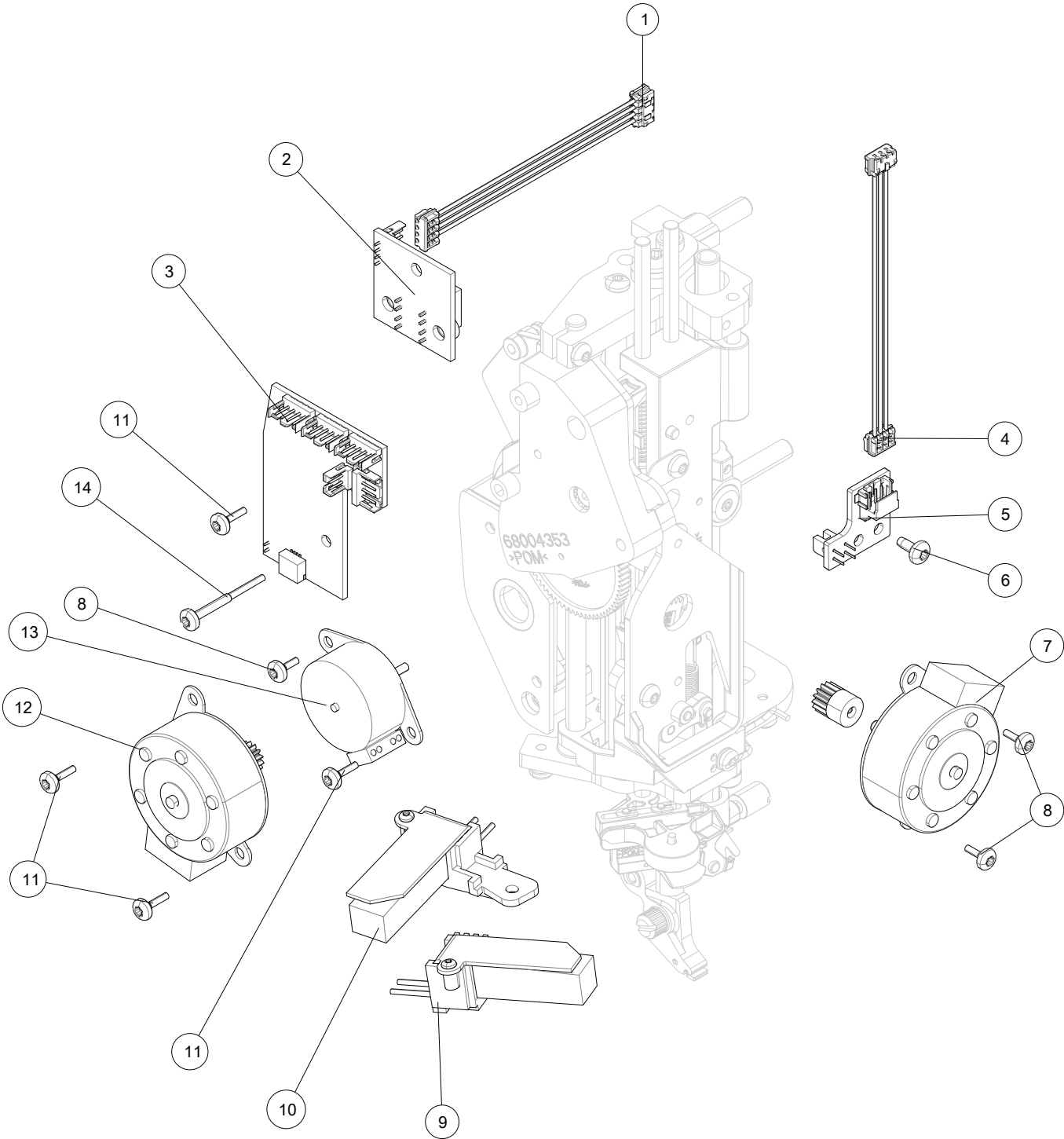
| | | |
|----|-----------|------------------------------|
| 1 | 68016200 | Cut Motor Cpl |
| 2 | 68008157 | Cut Sensor Cpl |
| 3 | 68012605 | Stitch Plate Sensor |
| 4 | 68005146 | Knife Holder cpl |
| 5 | 68012606 | Cable Assembly Bobbin Sensor |
| 6 | 411966828 | Screw PT 3x6 FZB |
| 7 | 412287903 | Screw M4x5 |
| 8 | 68008219 | Button |
| 9 | 413287301 | Spring Stitch Plate Sensor |
| 10 | 68009116 | Fetcher Upper Thread |
| 11 | 68008759 | Guide Pin |
| 12 | 412056011 | Screw TT M3x5 |
| 13 | 413004601 | Stepping Motor 25mm |
| 14 | 412280501 | Screw, Countersunk |
| 15 | 68016241 | Fetcher |
| 16 | 68002843 | Brush Pile Seal |
| 17 | 411966805 | Screw PT 3x20 FZB |
| 18 | 68012771 | Stitch Plate Cpl |
| 19 | 68012599 | Bobbin Cover |
| 20 | 68005144 | Retainer Cpl |
| 21 | 68017542 | Feather, Gear Rack Cpl |
| 22 | 68008746 | Hook Cover |
| 23 | 68002750 | Brush Pile Seal |

K



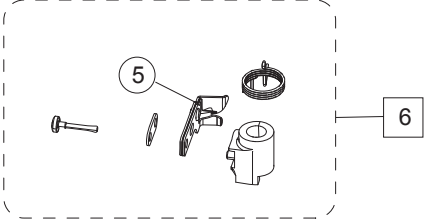
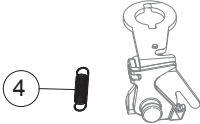
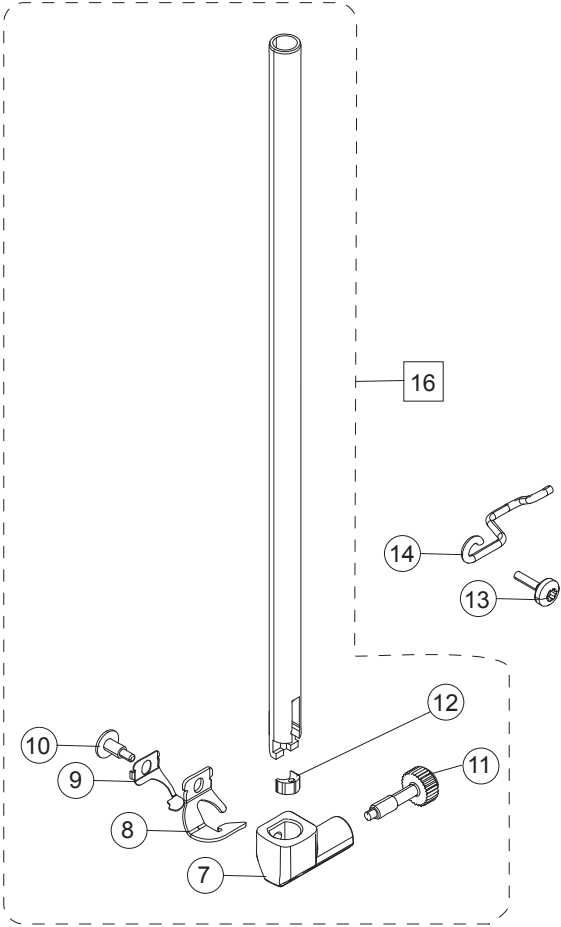
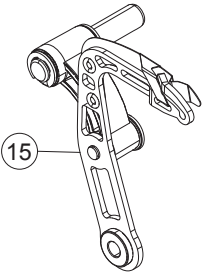
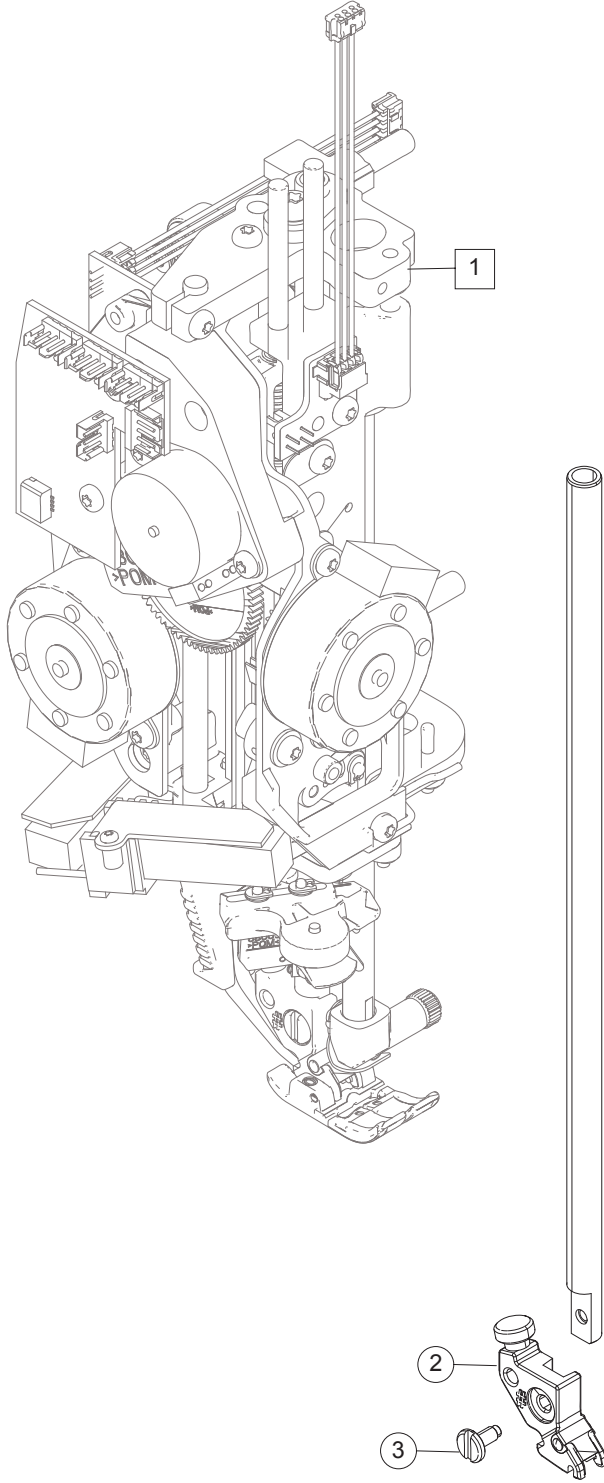
- 1 68005909 Side Feed Feed Dog Drop Cpl
- 2 68004953 Pull Rod Side Feeder Cpl
- 3 413034501 Linkage Feed Dog Drop Cpl
- 4 Clamp
- 5 412056004 Screw TT M3x6
- 6 68005033 Transmission Linkage
- 7 411967212 Screw FS TT M4x12 Torx
- 8 68005034 Pull Wire

L 1



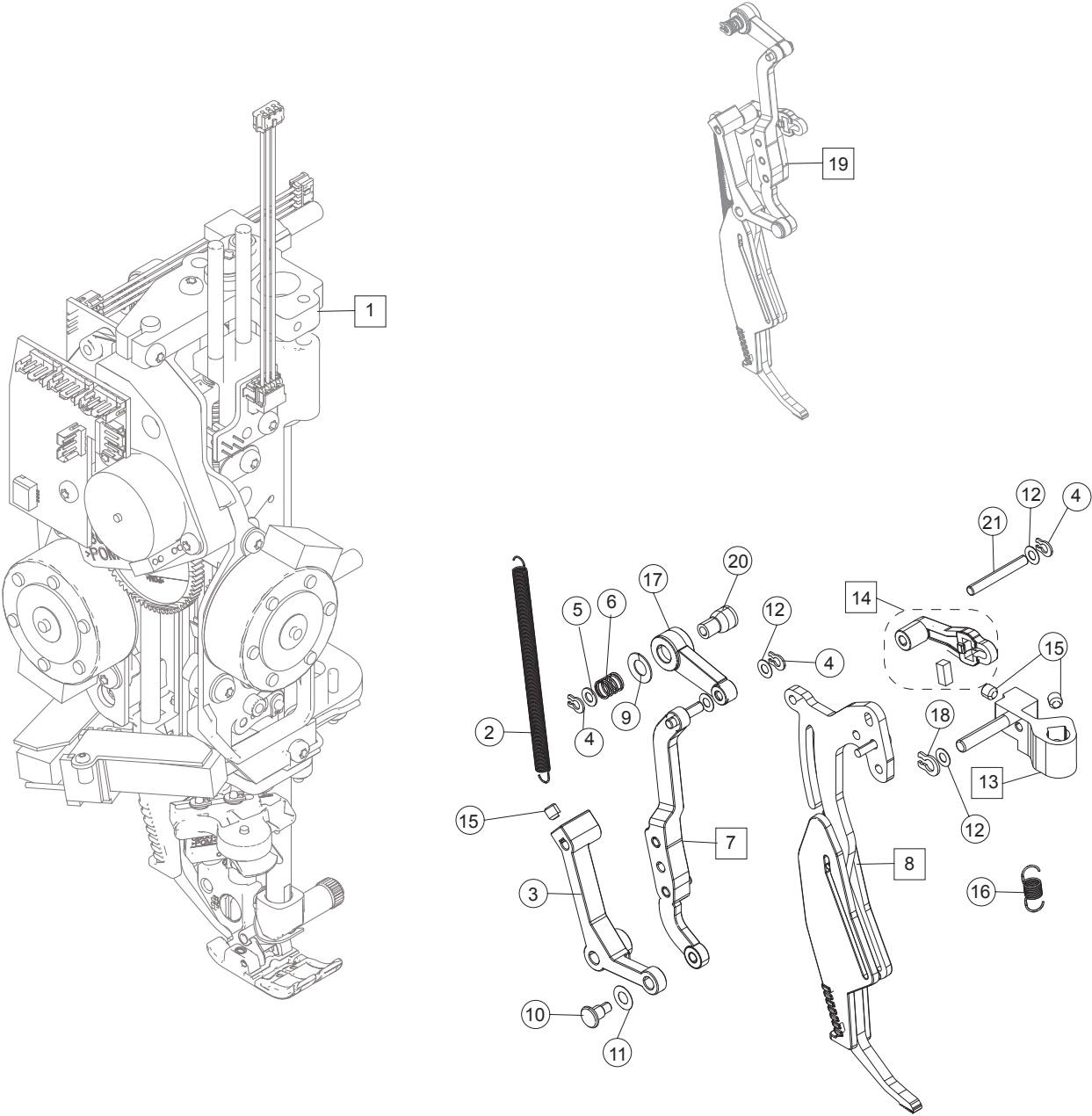
| | | |
|----|-----------|---|
| 1 | 68009764 | Cable Assembly Left Con board- Pfoot sensor |
| 2 | 68001972 | Presser Foot Servo Sensor Board Cpl |
| 3 | 68001673 | Left Connector Board Cpl |
| 4 | 68009765 | Cable Assembly |
| 5 | 68008783 | Needle Thread Sensor Cpl |
| 6 | 412056004 | Screw TT M3x6 |
| 7 | 412993901 | Step Motor |
| 8 | 411966828 | Screw PT 30x6 FZB Torx |
| 9 | 68009754 | Light Guide Sewing Head Left Front Cpl |
| 10 | 68009770 | Light Guide Sewing Head Left Rear Cpl |
| 11 | 411966801 | S_Screw PT 30x7,5 FZB Torx |
| 12 | 68016159 | Stepping Motor Cpl |
| 13 | 413004602 | Stepping Motor 25mm |
| 14 | 411966822 | Screw PT 3x25 FZB |

L 2



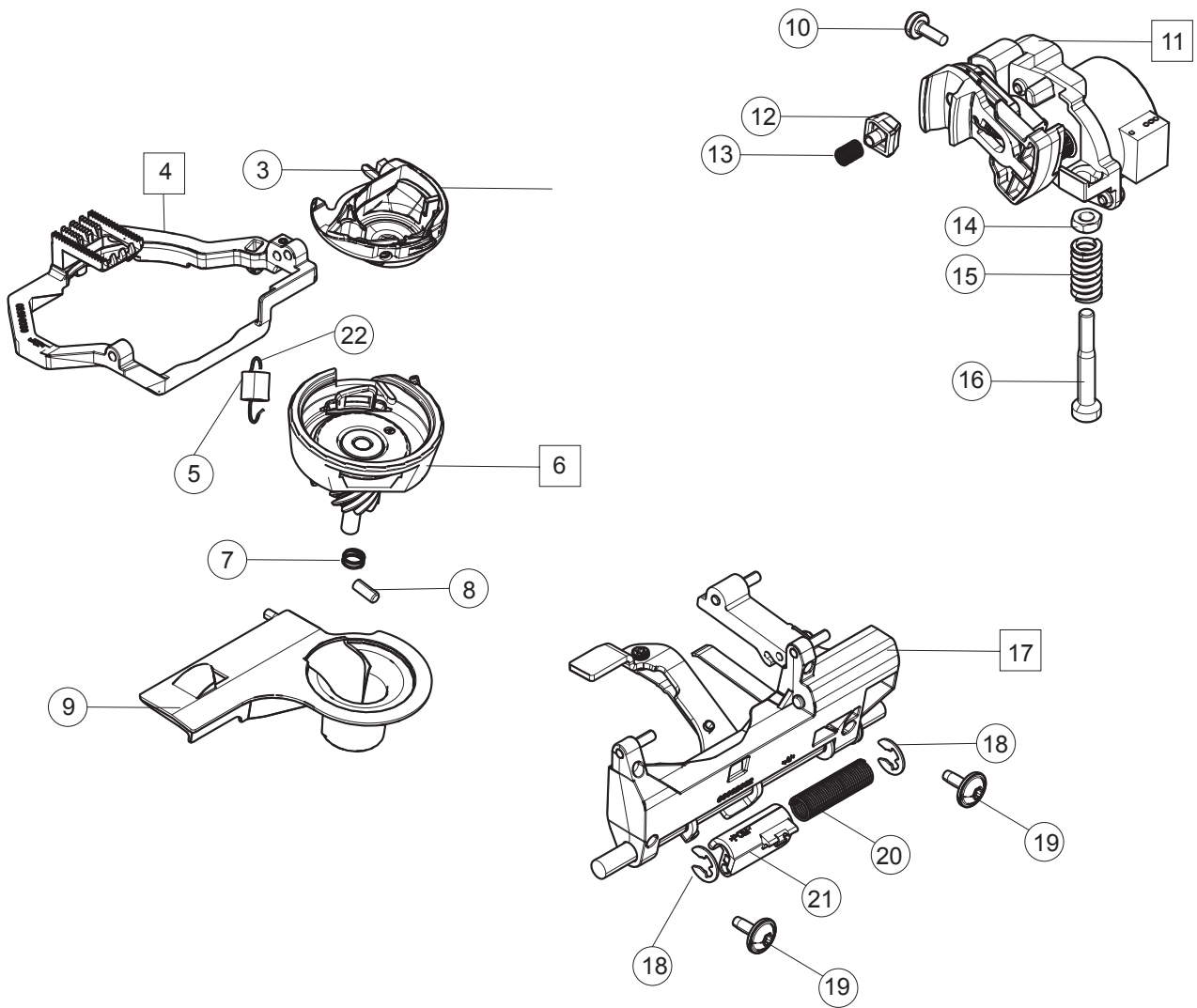
| | | |
|----|-----------|---------------------------|
| 1 | 68001375 | Sewing Head Cpl |
| 2 | 68005972 | Holder Presser Foot Cpl |
| 3 | 413040401 | Screw Holder Presser Foot |
| 4 | 68008152 | Spring |
| 5 | 68012541 | Hook Cpl |
| 6 | 68012540 | Hook Bracket Cpl |
| 7 | 68002088 | Needle Holder |
| 8 | 68016390 | Thread Guide |
| 9 | 68007100 | Thread Lock |
| 10 | 68002284 | Screw Thread Leader |
| 11 | 413372901 | Screw Needle Holder PF |
| 12 | 68016246 | Clamping Piece |
| 13 | 411966801 | Screw PT 3x7,7 FZB |
| 14 | 68003081 | Thread Guide |
| 15 | 68000100 | Take Up Lever Cpl |
| 16 | 68001960 | Needle bar Cpl. |

L 3



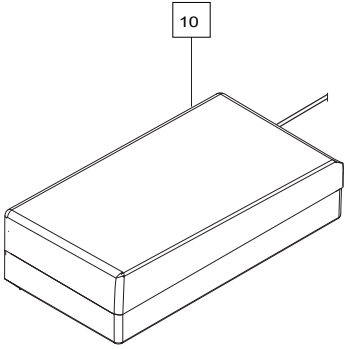
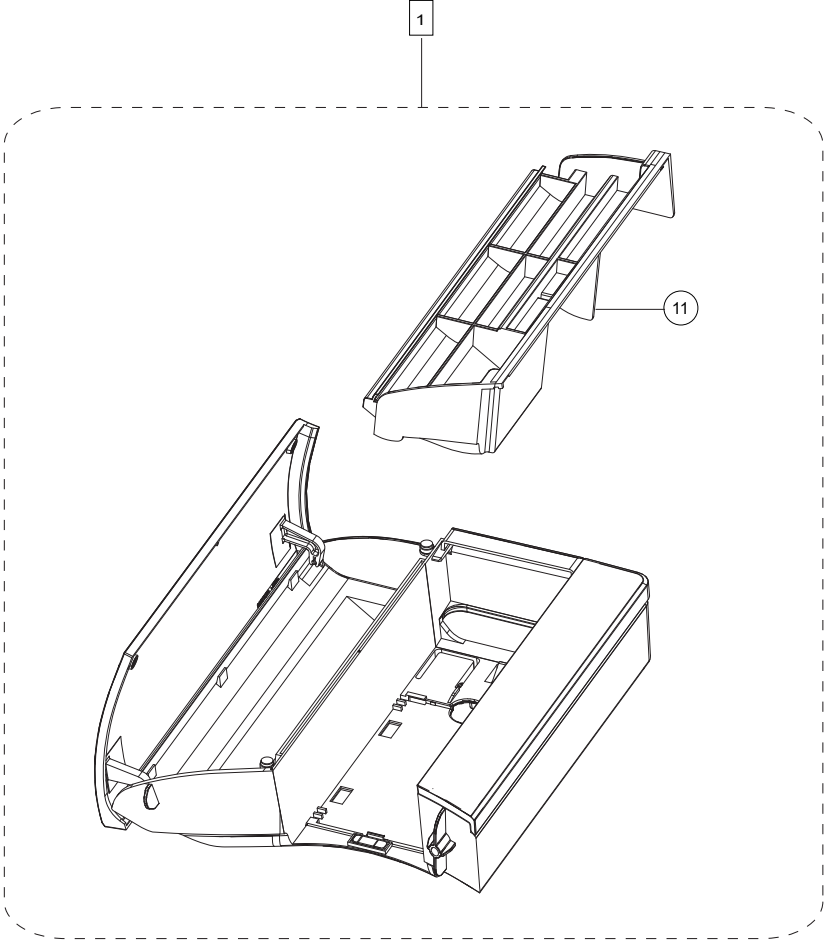
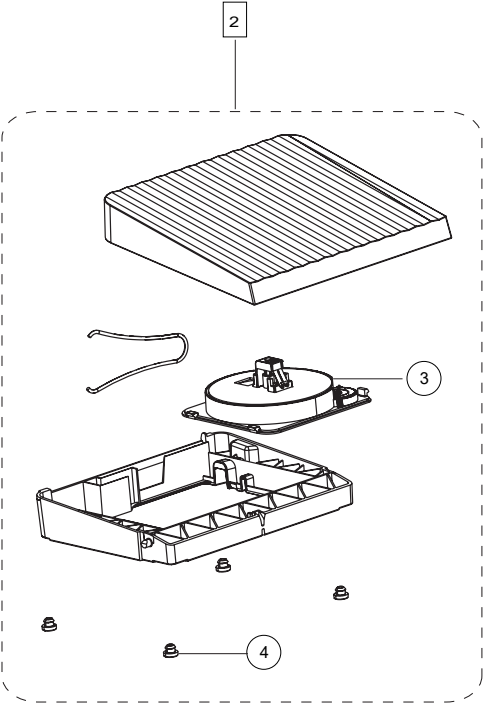
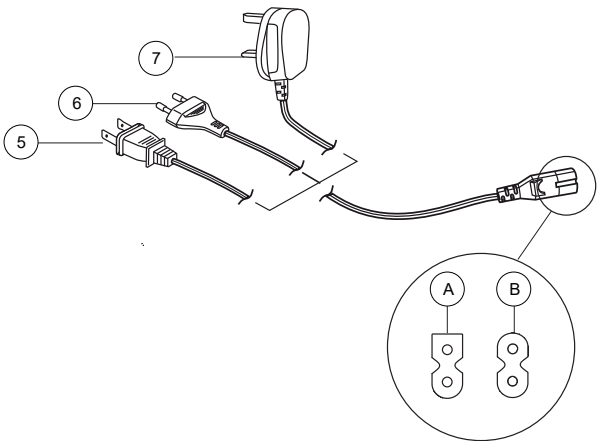
| | | |
|----|-----------|-------------------------------|
| 1 | 68001375 | Sewing Head Cpl |
| 2 | 68004980 | Spring |
| 3 | 68004759 | Toggle Link |
| 4 | 735612440 | Compression Rings Ø 3 |
| 5 | 411981401 | Washer 6x3,2x0,5 |
| 6 | 413043101 | Compression Spring |
| 7 | 68003219 | Lower Link Cpl |
| 8 | 68003200 | Transport Foot Cpl |
| 9 | 413095401 | Cup Spring 10x5,2x0,4 |
| 10 | 68001893 | Pin |
| 11 | 412877001 | Washer 4x8x0,1 |
| 12 | 411967501 | Washer 3x6x0,2 |
| 13 | 68009073 | Presser Bar Guide Cpl |
| 14 | 68003906 | Lower Slewing Bracket Cpl |
| 15 | 411968706 | Set Screw Flat M4x4 Torx |
| 16 | 68005179 | Spring |
| 17 | 68004757 | Upper Slewing Bracket |
| 18 | 735613640 | Compression Ring Ø4 |
| 19 | 68004987 | IDT Link Package |
| 20 | 413042801 | TOGGLE JOINT, IDT |
| 21 | 412316060 | Needle Bearing Pin NRB 3x23,8 |

M



| | | |
|----|-----------|----------------------------|
| 3 | 68003696 | Bobbin Case Cpl |
| 4 | 68012326 | Frame Feed Dog Cpl |
| 5 | 413112601 | Buffer |
| 6 | 68016090 | Hook Cpl With Shaft |
| 7 | 412930101 | Spring, hook |
| 8 | 728528705 | Set Screw M4x8 Insex |
| 9 | 68003307 | Dust Cover |
| 10 | 412211412 | Screw M4x10 TORX |
| 11 | 68004643 | Guide Unit |
| 12 | 68017303 | Block Guide |
| 13 | 68008681 | Compressor Spring |
| 14 | 68005005 | Nut Balance Adjustment |
| 15 | 412963601 | Spring |
| 16 | 68005004 | Screw Balance Adjustment |
| 17 | 68012315 | Feeding Unit |
| 18 | 735310920 | Lock Washer 5 |
| 19 | 412281904 | Screw Flange M4x10 TT Torx |
| 20 | 412908901 | Spring Feed Dog Drop |
| 21 | 68003579 | Insert |
| 22 | 413270001 | Feed Frame Spring |
| 23 | 68001113 | Bobbin |

N

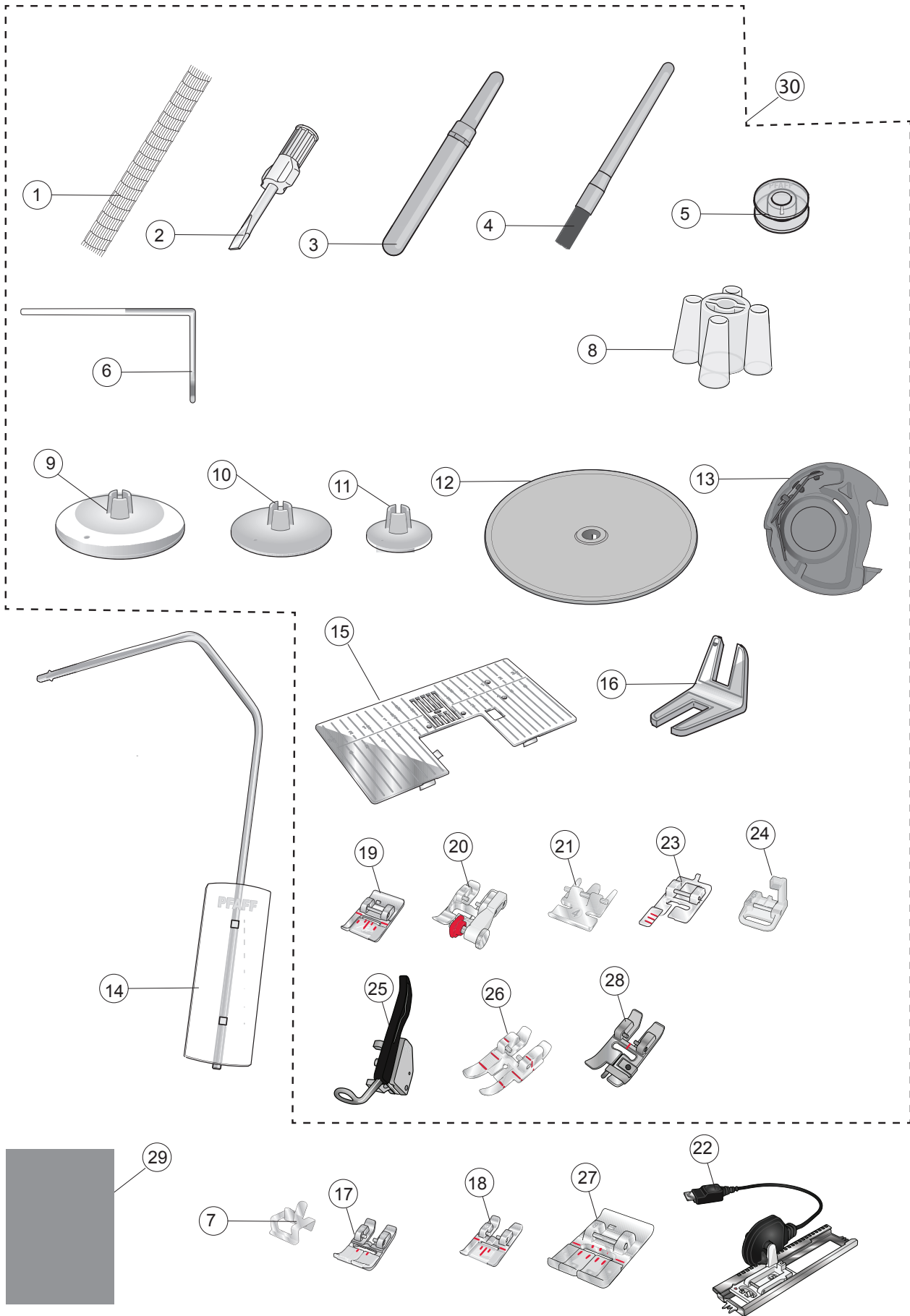


PEAFF Creative Icon 2

- 1 68013900 Accessories Box Cpl - Purple Aurora (Standard)
- 2 412991405 Foot Controller CPL.
- 3 412493002 Control Unit with Winder
- 4 412184501 Foot
- 5 412157903 Net Cable 120V Type A
- 5 68016793 Net Cable 120V Type B
- 6 412157801 Net Cable 220V Type B
- 7 412158002 Net Cable GB Type B
- 8 412158101 Net Cable AU Type B
- 9 68003664 Softcover Machine
- 10 68015515 Power Supply (external)
- 11 68015592 Dusk Fabric Inlay
- 68015638 Winter White Inlay
- 68015816 Northern Lights Inlay
- 68013960 Purple Aurora inlay

N

O



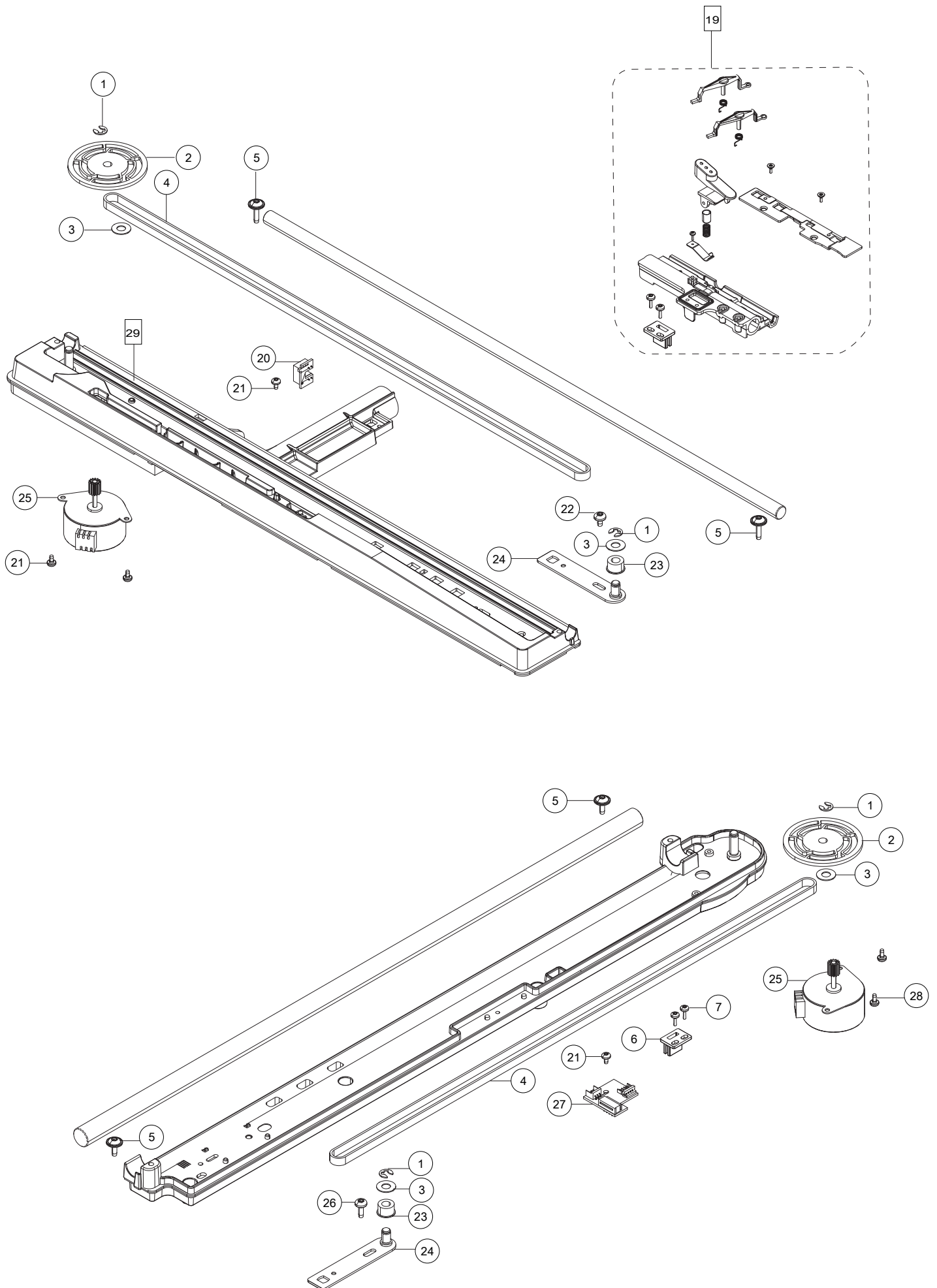
Accessories

| | | |
|----|-----------|----------------------------------|
| 1 | 412397701 | THREAD NET 15x100 |
| 2 | 412381501 | Screw Driver, |
| 3 | 401539901 | SEAM RIPPER |
| 4 | 413190401 | Brush |
| 5 | 68001113 | Bobbin Violet 1 pcs |
| 6 | 820251096 | Edge Ruler |
| 7 | 413070203 | Set of Clips |
| 8 | 68002445 | Spool cone |
| 9 | 413051603 | SPOOL HOLDER 45 MM |
| 10 | 413051602 | SPOOL HOLDER 35 MM |
| 11 | 413051601 | SPOOL HOLDER 22 MM |
| 12 | 68000130 | Spool Holder |
| 13 | 68014391 | Bobbin case |
| 14 | 68002258 | Lever Knee |
| 15 | 68012773 | Scant Stitch Plate |
| 16 | 413105601 | CLEARANCE PLATE |
| 17 | 820773096 | Standard Presser Foot OA |
| 18 | 413059801 | Fancy Stitch Foot 1A |
| 19 | 413060501 | Fancy Stitch Foot 2A |
| 20 | 412844101 | Blindhem Foot 3 |
| 21 | 820248096 | Zipper Foot 4 |
| 22 | 68003184 | Buttonhole Sensor Foot |
| 23 | 413005502 | BUTTON HO. FOOT 5M |
| 24 | 820671096 | EMBROIDERY FOOT 6A |
| 25 | 68003167 | EMBROIDERY FOOT 6D CPL |
| 26 | 412864906 | QUILT FOOT |
| 27 | 413037101 | MAXI-STITCH FOOT 8 CPL |
| 28 | 68003085 | Bi level Guide Foot |
| 29 | 68016171 | Sampler Icon |
| 30 | 68003551 | Standard Accessories Icon 2 cpl. |

Tools

| | |
|---------------|--------------------------------|
| 6310260018000 | Spacer |
| 6111160002000 | Feeler gauge 2.5 |
| 413102201 | Needle clamp |
| 68004048 | Gauge for presser foot and IDT |

P

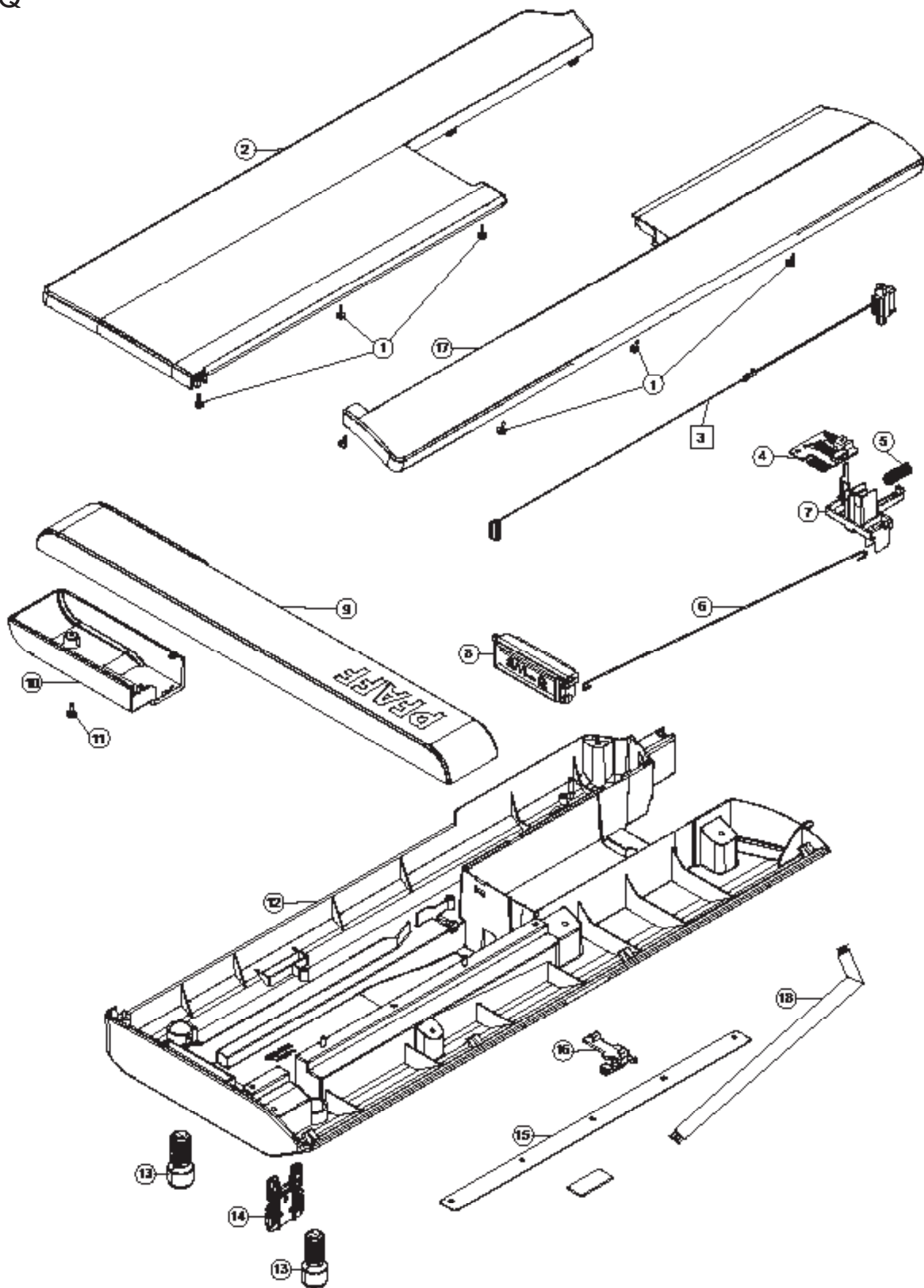


PFAFF Creative Icon 2

| | | |
|----|-----------|---------------------------------|
| 1 | 735310820 | Lock Washer 4 |
| 2 | 412524601 | Gear Wheel |
| 3 | 412384301 | Washer 6/13*0.6 FZB |
| 4 | 413027201 | Synchronous Belt XY-Unit |
| 5 | 412281904 | Screw Flange M4*10 TAPTITE TORX |
| 6 | 412525301 | Holder Belt |
| 7 | 411966801 | Screw PT 30*7.5 FZB TORX |
| 19 | 68006061 | Y-Sled, CPL. |
| 20 | 413029601 | Board, Hoop Detection, CPL. |
| 21 | 412056011 | Screw M3*5 |
| 22 | 412056012 | Screw M4*6 |
| 23 | 412384202 | Cog Wheel |
| 24 | 412524901 | Plate, Belt Tension, CPL. |
| 25 | 413029901 | Stepper Motor, XY-Unit, CPL. |
| 26 | 412056005 | Screw TAPTITE M4*10 TORX |
| 27 | 413029301 | Board, Y-Arm, CPL. |
| 28 | 412056004 | Screw TAPTITE M3*6 TORX |
| 29 | 413026301 | Y-Frame |

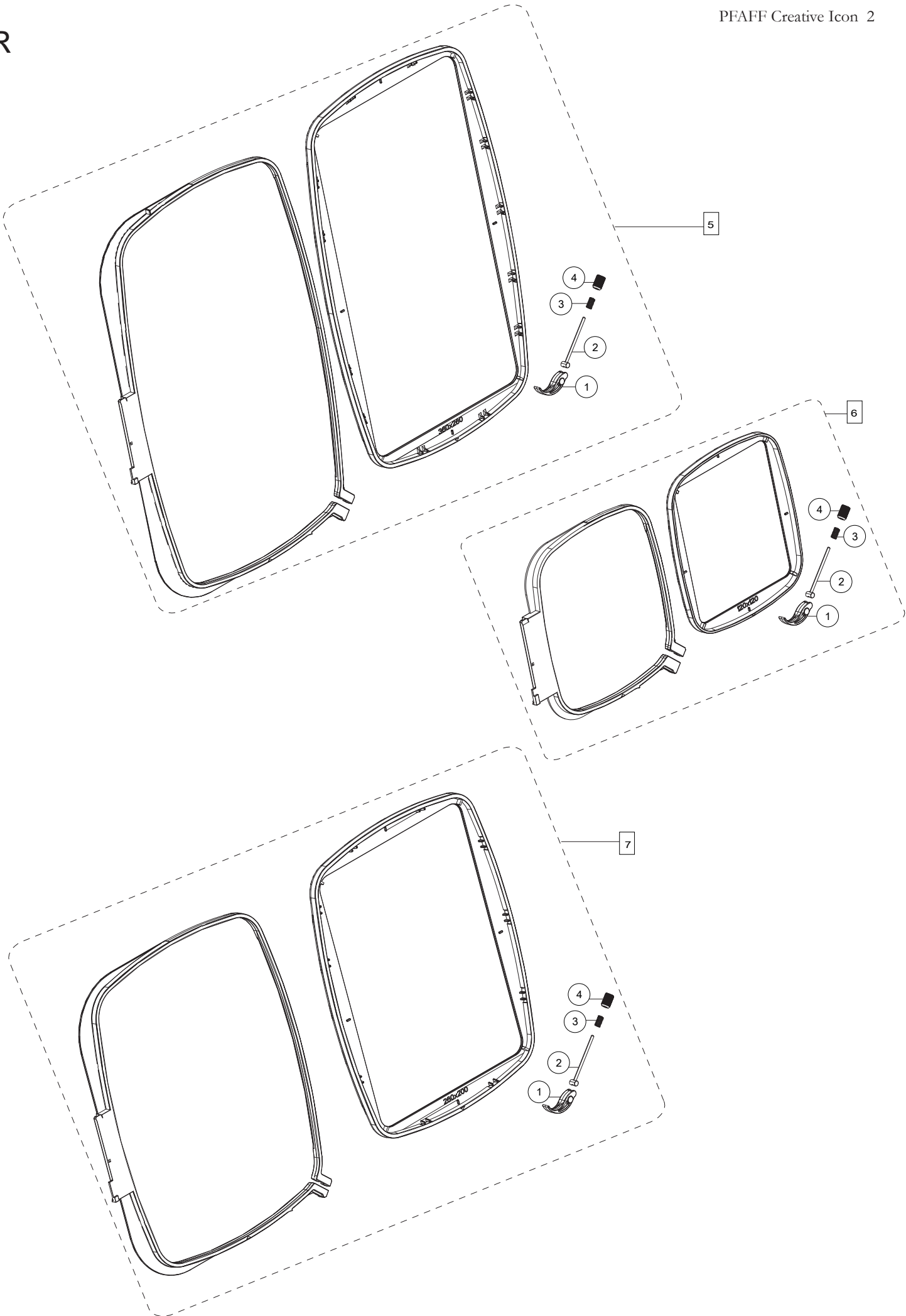
P

Q



| | | |
|----|-----------|--------------------------|
| 1 | 412056006 | Screw PT 4x10 FZB |
| 2 | 68004927 | Cover Top Back |
| 3 | 68016264 | Emb unit Cable Assembly |
| 4 | 413029001 | Board, XY-Unit, |
| 5 | 412721401 | Latch Spring |
| 6 | 68004919 | Latch Pull Rod |
| 7 | 68003611 | Latch |
| 8 | 413027701 | Handle Latch |
| 9 | 68015726 | Cover Y-Arm EU |
| 10 | 413028001 | Cover Motor Y-arm |
| 11 | 412056005 | Screw TT M4x10 |
| 12 | 68004926 | Cover Bottom |
| 13 | 413028502 | Foot, XY-Unit Cpl |
| 14 | 413030101 | Transport Locking Device |
| 15 | 413028703 | Guide, Support Arm |
| 16 | 68002079 | Support Arm |
| 17 | 68004937 | Cover Top Front |
| 18 | 412388106 | Flex Cable |

R



- 1 412984701 Locking Handle Embr.Hoop
- 2 412956204 Screw CPL., Hoop
- 3 412620701 Spring Embroidery Hoop
- 4 412996501 Nut, Embr. Frame
- 5 68000058 Embroidery Hoop CPL. 360*260
- 6 412968202 Embroidery Frame CPL. 120*120
- 7 413116502 Embroidery Frame CPL. 260*200

