

PFAFF®

creative 2140
2144
2170
german engineering

Ersatzteile-Liste
List of spare parts
Liste des pièces détachées
Catalogo pezzi staccati
Lista de piezas de repuesto

Nicht nummerierte Teile im Katalog werden nicht geliefert.

The parts mentioned without number in the parts list are not available.

Les pièces qui ne sont pas numérotées dans la liste de pièces détachées ne peuvent être livrées.

Pezzi non catalogati non sono disponibili.

Las piezas de repuesto sin número en esta lista no se entregarán.

Bei Bestellung von Ersatzteilen muss die Modell-Nr. der Maschine, die Seitenzahl des Kataloges und die Teilenummer angegeben werden.

Die Verschleißteile-Nummern sind in der Teileliste unterstrichen.

When ordering spare parts, please state the model number, the page number in the catalogue of spare parts and the number of the parts called for.

The wear and tear part numbers are underlined in the parts list.

Prière d'indiquer dans vos commandes de pièces de rechange, le numéro de la machine, le numéro de la page dans la liste des pièces détachées, ainsi que les numéros des pièces commandées.

Les numéros de pièces d'usure sont imprimés soulignés dans la liste des pièces.

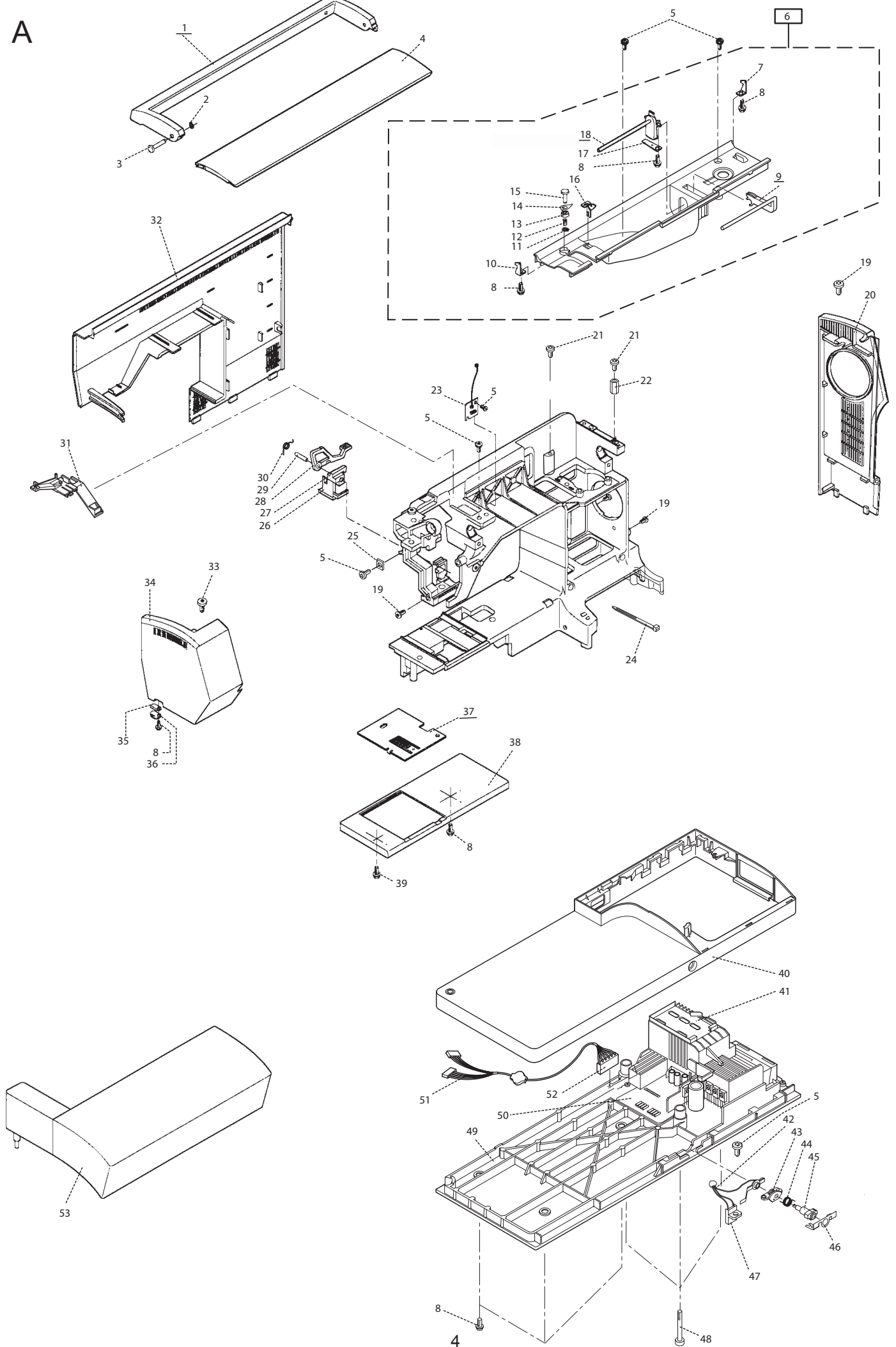
La richiesta dei pezzi di ricambio deve contenere il modello della macchina, la pagina del catalogo e il codice del pezzo.

I codici dei pezzi d'usura sono quelli sottolineati nel catalogo.

Al pedir piezas, sírvanse de indicar el número del modelo de la máquina, la página de la lista de piezas de repuestos y el número de la pieza deseada.

Los números de las piezas de desgaste están subrayadas en la lista.

A

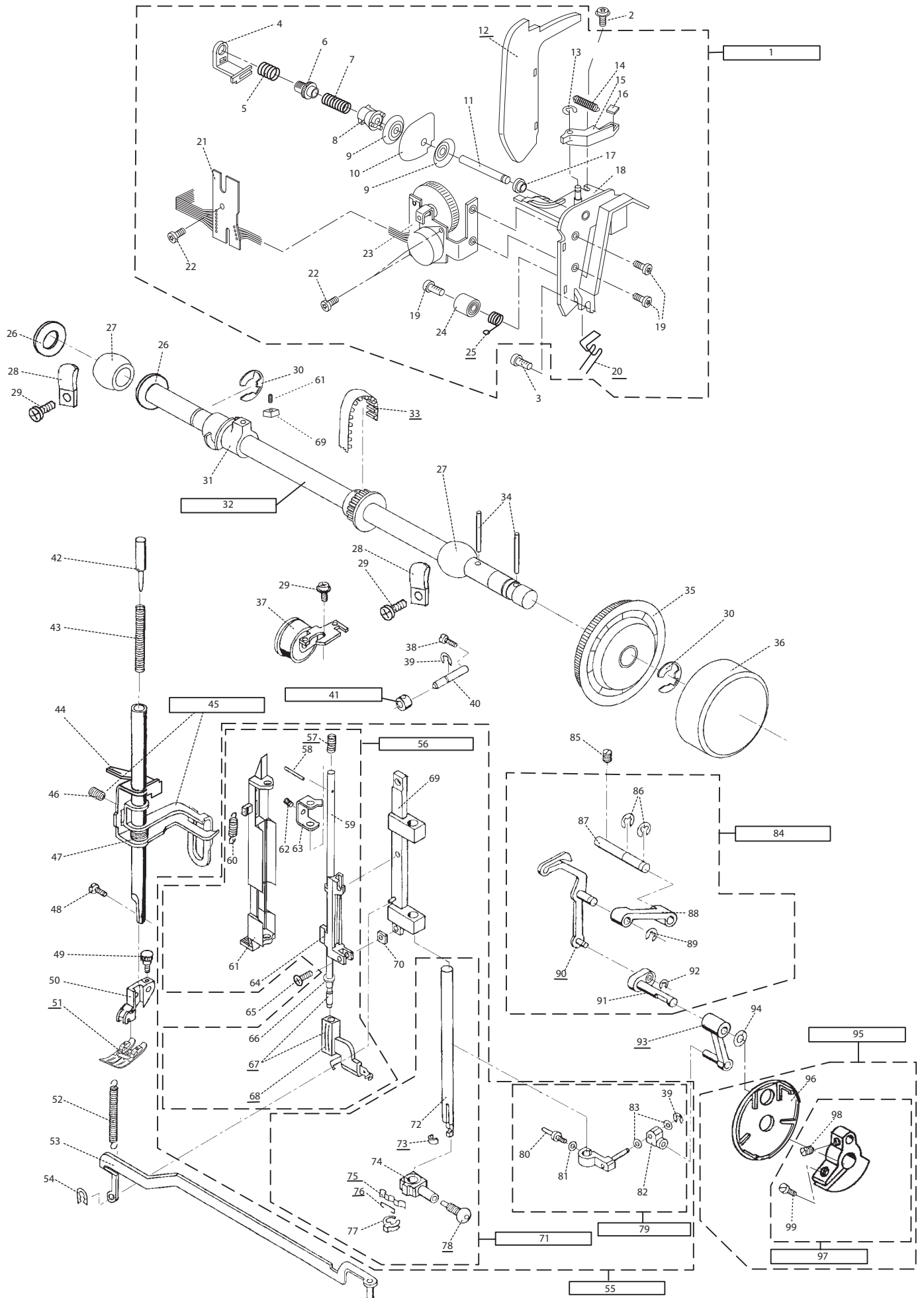


PFAFF creative 2140-2144-2170

A

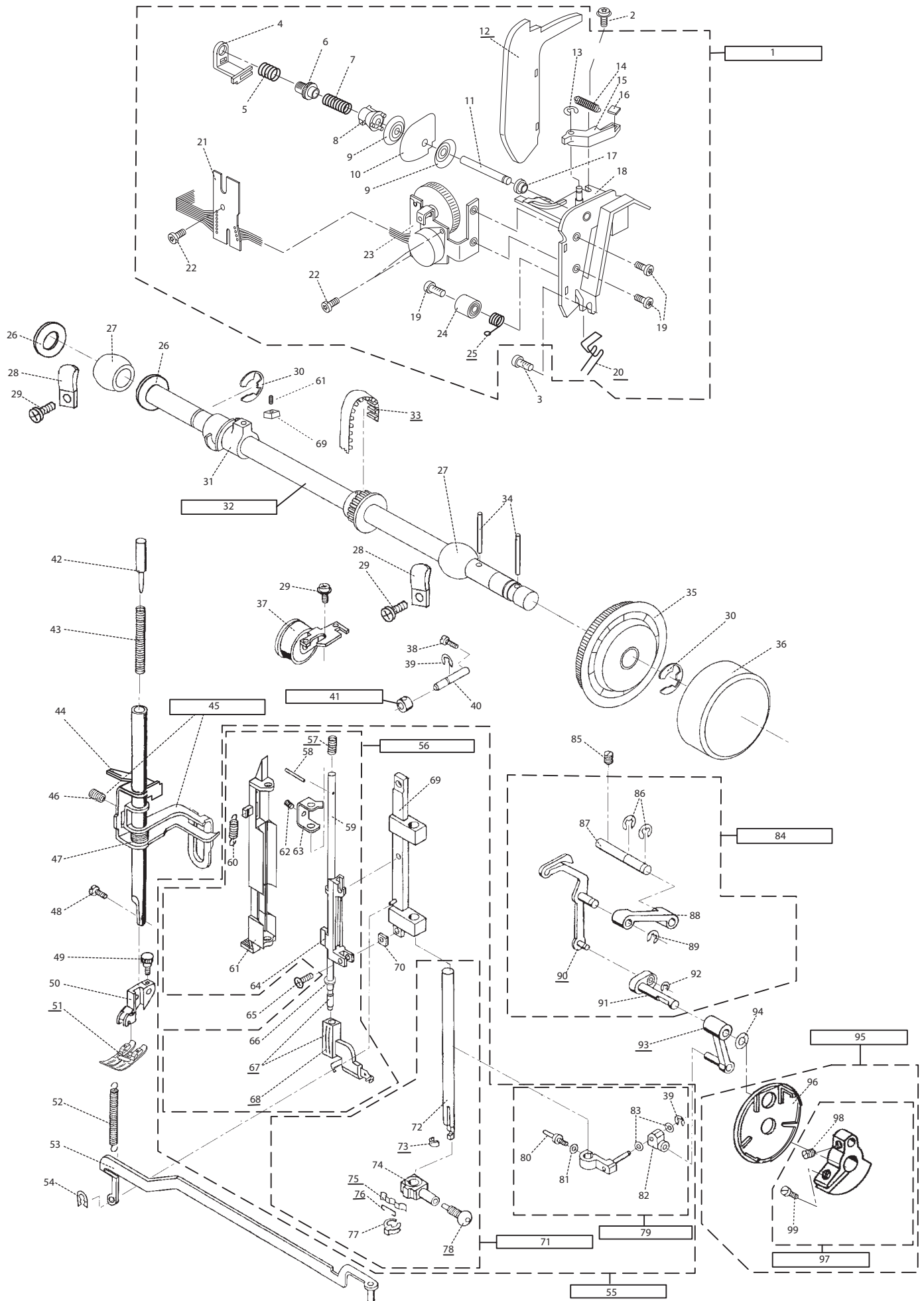
1	412864601	HANDLE
2	735310620	LOCK WASHER 2.3
3	9303506615000	SAFETY BOLT
4	N/S	ARM COVER CPL. 2140
	9303907243000	ARM COVER CPL. 2144
	412946401	ARM COVER CPL 2170
5	1172217255000	SCREW PN 11722-M4*8
6	N/S	HOUSING INSERT CPL.
7	9303805405000	BRACKET RIGHT
8	9303311855000	SCREW 3*8
9	9303905344000	THREAD GUIDE
10	9303805505000	BRACKET LEFT
11	1261814045000	RING PN 12618-3,5
12	9304006005000	COMPRESSION SPRING
13	9303205025000	THREAD GUIDE
14	9303906805000	THREAD GUIDE, BOBBIN WINDER
15	9303017435000	THREAD GUIDE PIN
16	9303905225000	HEAD COVER PRINTED
17	9303305405000	SPRING
18	9303305244000	SPOOL PIN
19	9303808455000	SHOULDER SCREW
20	9303908543000	REAR COVER PRINTED
21	1172222355002	SCREW PN 11722-M 5*10
22	N/S	BRACKET CPL.
23	9232998691000	PCB-IMPULSER CPL. DOUBLE
24	412619701	WIRE TIES
25	9303833605000	LEVER
26	9303814245000	LIFTER LEVER FRONT SIDE
27	9303814345000	RECEIVER UPPER PART
28	9303913044000	END PIECE (FOR KNEE LEVER)
29	9303814005000	BOLT
30	412693501	TORSION SPRING
31	9232998991000	CABLE GUIDE
32	9303908143000	THREAD GUIDANCE
33	1119090515004	SCREW D 7985-M5*10-Z1
34	9303904443000	HEAD COVER
35	9303227205000	KNIFE
36	416329001	KNIFE COVER
37	9303991035000	NEEDLE PLATE
38	9303903543000	HINGE SPRING
39	9303733855000	SCREW
40	9303904170000	BOTTOM COVER 2140/2144
	9303904182000	BOTTOM COVER 2170
41	9233017245000	PROTECTION CAP/CHOKE
42	9233028991000	KNEE LEVER CABLE CPL.
43	9303912245000	LEVER CPL.
44	9303912305000	BEARING BOCK
45	N/S	TORSION SPRING
46	9303912555000	INTERMEDIATE SHAFT
47	9233028505000	HOLDER RESISTOR PATH
48	9303804255000	SCREW (3X)
49	9303904009000	BOTTOM PLATE
50	9233023091000	PCB POWER SUPPLY ASSEMBLED
51	9233035691000	CT-TRANSFER CIRCUIT CPL.
52	9232962891000	CT-CONNECTOR
53	9303807591000	ACCESSORY BOX CPL.

B



1	9233021791000	THREAD TENSION CPL.
2	1172217225900	SCREW PN 11722-M4*8 WITH DISK
3	1172217255000	SCREW PN 11722-M4*8
4	9303557515000	BRACKET, THREAD TENSION
5	412732501	SPRING
6	9303557615000	BUSHING
7	9303758105000	COMPRESSION SPRING
8	9303557745000	PRESSURE TRANSMITTER
9	9303658225000	THREAD TENSION DISK, OUTER
10	9303758305000	THREAD TENSION DISK, MIDDLE
11	9303757405000	SHAFT, THREAD TENSION
12	9303925143000	CAP
13	1261812045000	LOCKING WASHER PN 12618-3
14	9233015205000	TENSION SPRING
15	9233015745000	TENSION RELEASE LEVER
16	9232419405000	MAGNET
17	9303754345000	BEARING
18	9303925344000	BRACKET
19	1172324455000	SCREW PN 11723-CE-M3*12
20	9303754505000	THREAD GUIDE,THREAD TENSION
21	9233024191000	PRINTED CIRCUIT CPL.
22	N/S	SCREW PN 11726-M3*5
23	412785901	THREAD TENSION CPL.
24	9303558645000	BUFFER SLEEVE
25	9303558705000	CHECK SPRING
26	9303811805000	WASHER
27	9303811305000	BEARING
28	9303810105000	CLAMP
29	N/S	
30	1264021055000	WASHER DIN 6799-8
31	9232998845000	CONTROL CAM
32	9303910691000	BRACKET
33	9303810405000	TOOTHED BELT
34	9303910905000	TOOTHED BELT
35	9303911044000	BELT PULLEY
36	9303812944000	HAND WHEEL
37	9303611591000	ANGLE CPL WITH CLAMPING REEL
38	N/S	SCREW N11193-B M3*7 A02
39	1264013055000	WASHER DIN 6799-3,2
40	9303518505000	PIN
41	9303518611000	COLLAR CPL.
42	9304020715000	PIN
43	9304020605000	COMPRESSION SPRING
44	9303912091000	PRESSER FOOT DRAW CPL.
45	9303656291000	PRESSURE BAR GUIDE CPL.
46	1131591705000	SET SCREW PH 11315-B-M6*0,75*6
47	9303519905000	COMPRESSION SPRING
48	9303619615000	SCREW
49	9869488900000	SCREW
50	9869488600000	SEWING FOOT HOLDER CPL.
51	820773096	STANDARD PRESSER FOOT W. IDT
52	9304065405000	COMPRESSION SPRING
53	9303814791000	ROD
54	9304018415000	BENZING-CLIP U93
55	9303816691000	PENDEL CPL W. NEE.THR.&BAR
56	9303816591000	THREADER
57	9303817205000	SPRING
58	N/S	

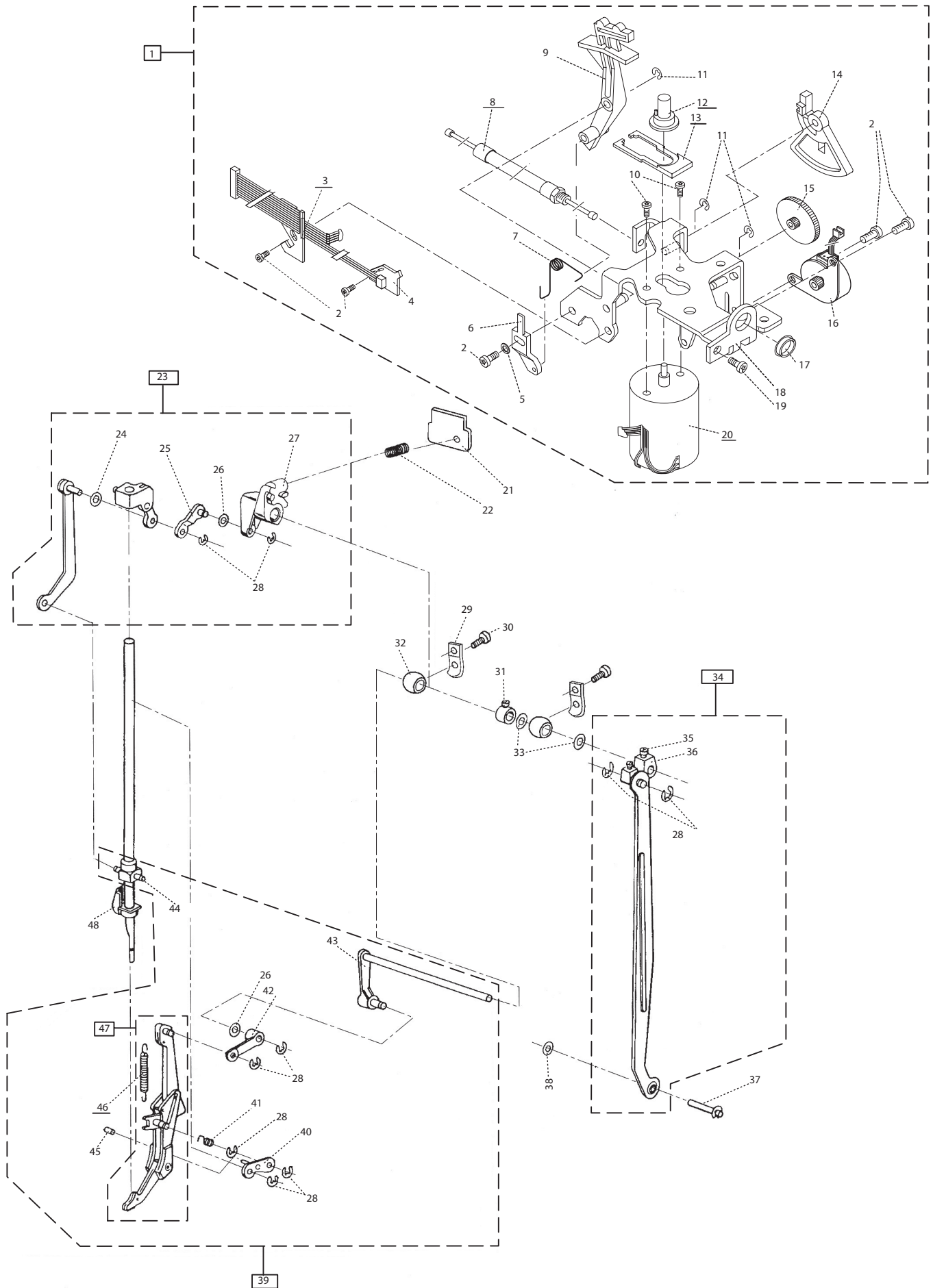
B



PFAFF creative 2140-2144-2170

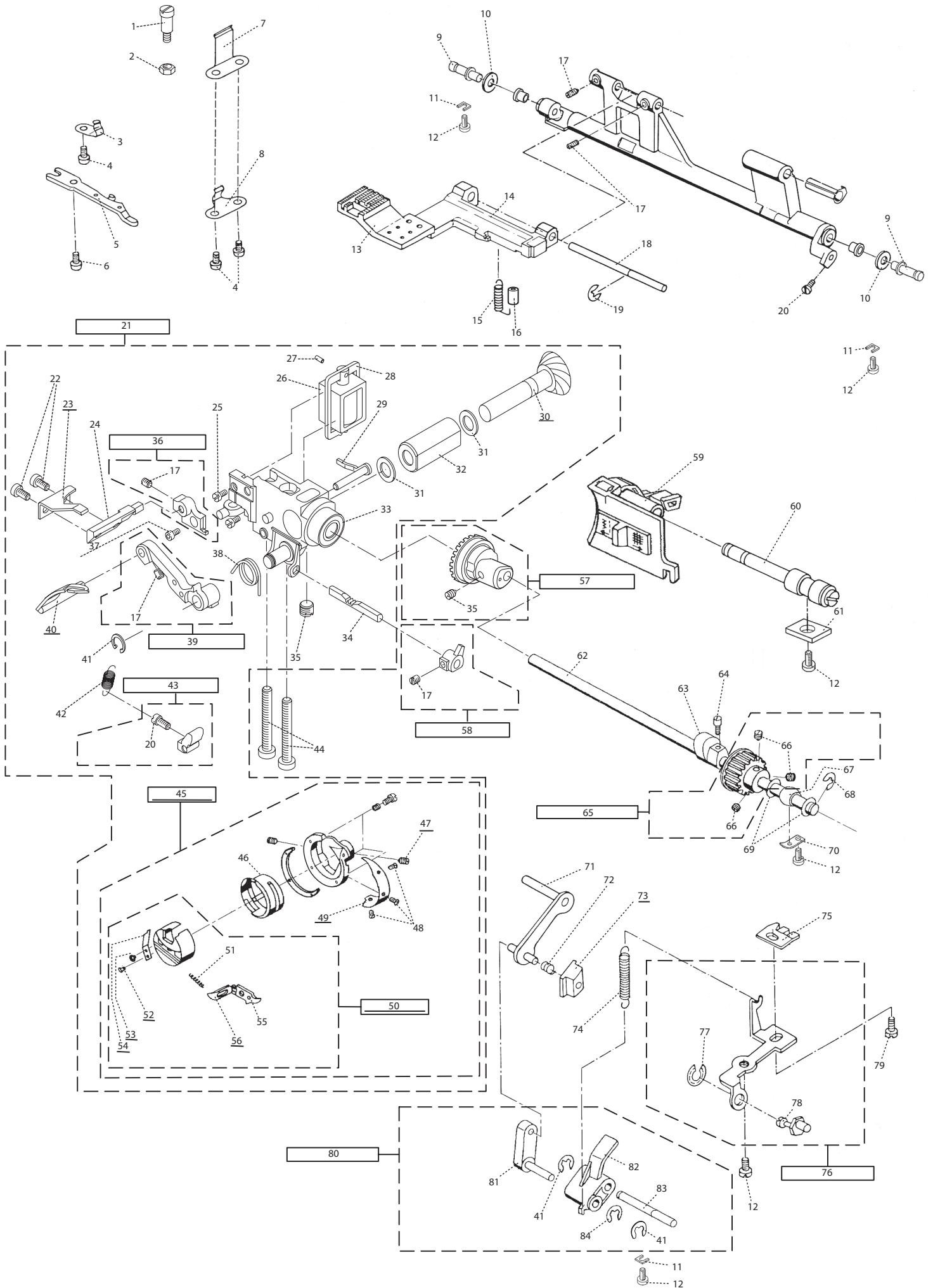
59	9303816909000	NEEDLE THREADER AXLE
60	9303616605000	COMPRESSION SPRING
61	9303817045000	NEEDLE THREADER KEY
62	1133008515000	SET SCREW DIN 913-M3*4
63	N/S	BUFFER
64	9303816045000	HOLDING FIXTURE
65	9303610915000	RAISED CHEESE HEAD SCREW
66	9303634845000	BUFFER DISK
67	9303816791000	THREADER CARRIER
68	9303818091000	THREADER CARRIER
69	9303614691000	PENDULUM CPL.
70	1209090105000	NUT M3 DIN 562
71	9303670171000	NEEDLE BAR CPL.
72	9303412605000	NEEDLE BAR
73	9303412805000	TRANSMITTING PIECE
74	9303412715000	NEEDLE HOLDER
75	9303413125000	THREAD GUIDE
76	9303413305000	THREAD RETAINER
77	9303413015000	NEEDLE HOLDER CLIP
78	9303412915000	NEEDLE FASTENING SCREW
79	9303615091000	CROSS HEAD CPL.
80	9303615215000	CLAMPING BOLT TO CROSS HEAD
81	9303615515000	WASHER
82	9303515105000	JOINT PIECE,FINISHED PART
83	9303515505000	BUFFER DISK
84	9303810291000	THREAD LEVER
85	1131722325000	SET SCREW ISO 4766-M5*10
86	1264017055000	SCREW DIN 6799-5
87	9303514105000	BOLT
88	9303514045000	FLOATING LEVER
89	1264015055000	SCREW DIN 6799-4
90	9303613291000	THREAD LEVER CPL.
91	9303513791000	CRANK BOLT CPL.
92	735310620	LOCK WASHER 2.3
93	9303512991000	CONNECTING ROD CPL.
94	9303512805000	BUFFER DISK
95	9303811591000	CRANK WITH FEED LIFTING
96	9303620445000	FEED LIFTING
97	9303811691000	CRANK CPL.
98	1131593305000	SET SCREW PH 11315-B-M6X
99	N/S	SCREW PN 11726-M5*16

C



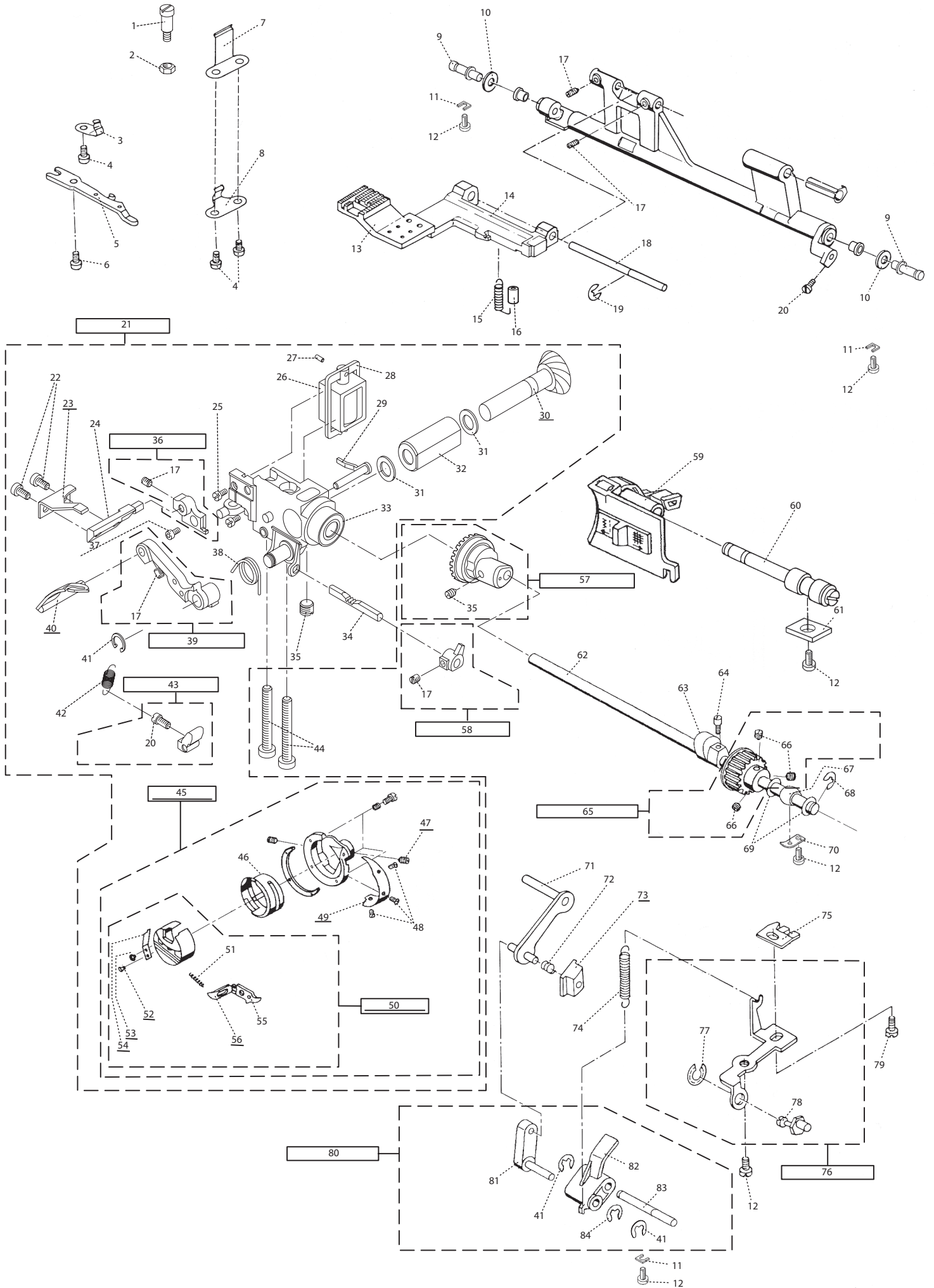
1	N/S	BOBBIN WINDER & SD-MOTOR AGGREGATE
2	1172321355000	SCREW PN 11723-CM3*6
3	9233034191000	PRINTED CIRCUIT CPL.
4	N/S	PRESSER FOOT SENSOR
5	1234005025000	SCREW DIN 6902-A3,2
6	N/S	ADJUSTMENT PLATE
7	9233020505000	TORSION SPRING
8	9303911791000	INTER MEDIATE GEAR
9	9233019891000	BOBBIN LEVER WITH MAGNET
10	N/S	SCREW BM2,5*5 N11193
11	1264007055000	SCREW DIN 6799-1,9
12	9233020145000	BOBBIN WINDER SPINDLE
13	412861301	BRAKE LEVER
14	9233020891000	TOOTH ROCKING ARM WITH MAGNET
15	9303911405000	BELT PULLEY
16	9233027691001	STEP MOTOR SD WITH PINION
17	9303311345000	SLEEVE
18	N/S	BRACKET CPL.
19	9303808455000	SHOULDER SCREW
20	9233020091000	BOBBIN WINDING MOTOR
21	9303813715000	PLATE
22	9303620905000	COMPRESSION SPRING
23	9303620591000	LIFTING GEAR CPL.
24	1236900105000	SCREW 4,6*6,7 PH 12369
25	9303620601000	CONNECTING ROD CPL.
26	9303634845000	BUFFER DISK
27	9303621291000	FLOATING LEVER CPL.
28	1264013055000	WASHER DIN 6799-3,2
29	9303831105000	CLAMP(2X)
30	1172217255000	SCREW PN 11722-M4*8(2X)
31	9303629791000	COLLAR CPL.
32	9303831405000	THRUST WASHER(2X)
33	9303530605000	BUFFER DISK
34	9303628591000	CONNECTING ROD CPL WITH CRANK
35	1119390205000	SCREW AM 4*5,5 PH 11193
36	N/S	SCREW
37	9304029491000	BOLT CPL.
38	9303634745000	BUFFER DISK
39	9303621791000	SHEAR GEAR CPL.
40	9303624991000	JOINT CPL.
41	9303624405000	TORSION SPRING
42	9303622505000	LINK
43	9303622791000	SHEAR SHAFT WITH CRANK
44	9303625705000	CROSS HEAD
45	9303625345000	HOSE
46	9303624015000	TENSION SPRING
47	9303623091000	TOP FEED LEVER WITH FOOT CPL.
48	9303625891000	GUIDE CPL.

D



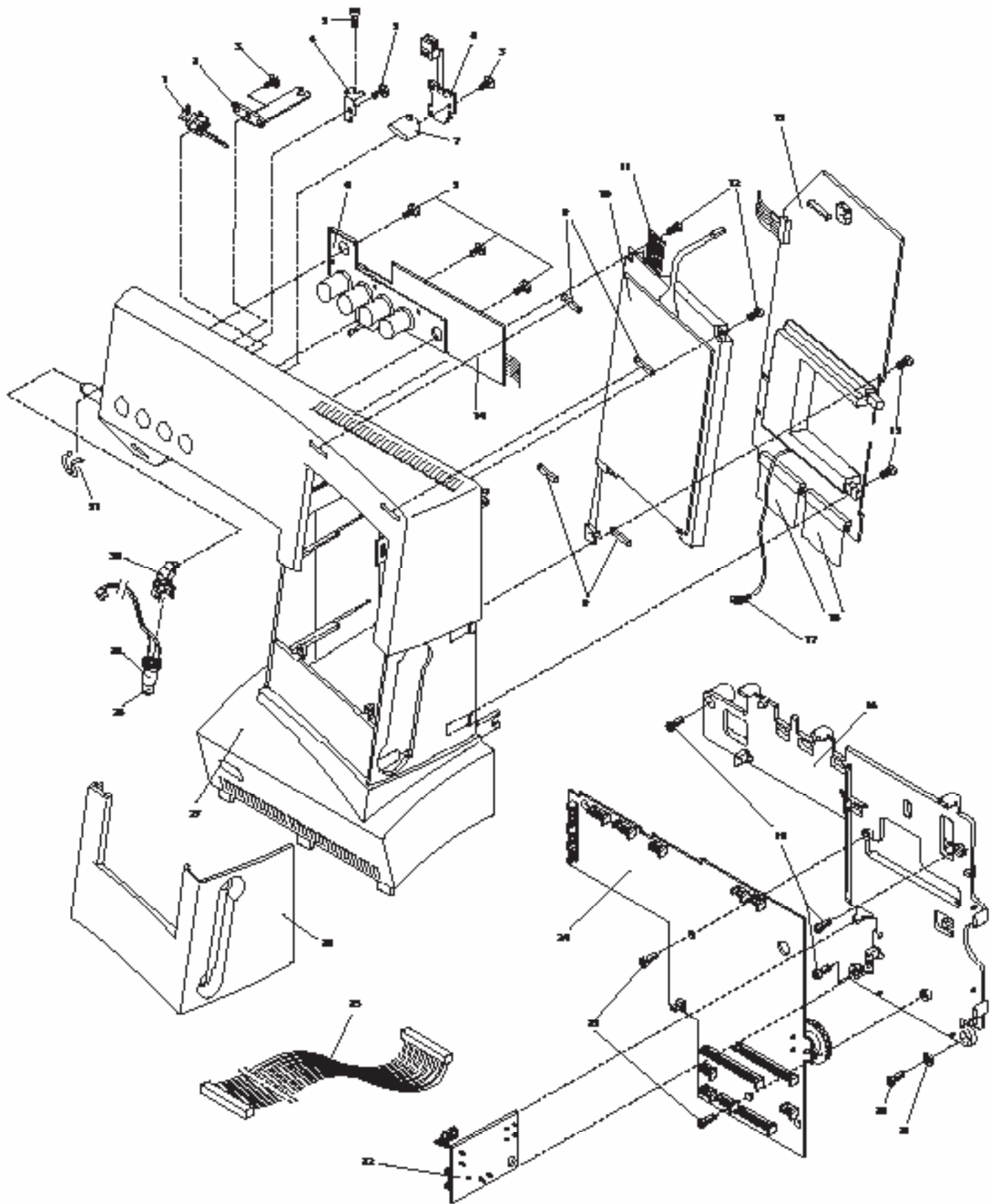
1	9303508815000	SCREW, EXCENTRIC
2	1202412125000	NUT ISO 4032-M3
3	9303921805000	PLATE SPRING
4	1172143255002	SCREW D 7500-BE M4*6
5	9303922091000	BOBBIN CASE POSITION FINGER CPL.
6	1172217255000	SCREW PN 11722-M4*8
7	9303610515000	SPRING
8	9303508715000	PLATE SPRING
9	9303944205000	BEARING BOLT
10	9303515505000	BUFFER DISK
11	9303833605000	LEVER
12	1172217855002	SCREW PN 11722-M4*12
13	9303945091000	FEEDER CPL.
14	9303945091000	FEEDER CPL.
15	9303534705000	COMPRESSION SPRING
16	9303833745000	CLAMPING PLATE
17	411968703	SET SCREW FLAT, M3*3 TORX
18	9303645305000	SHAFT
19	1262417045000	RING H5*0,6 PN12624
20	N/S	SCREW
21	N/S	THREAD CUTTER CPL.
22	N/S	SCREW M3*4
23	412811301	UPGRADE KIT THREAD CATCHER
24	9303922605000	KNIFE CARRIER
25	1110000225000	HELICAL SCREW M2*3
26	9233023391000	THREAD CUTTER MAGNET
27	9303699505000	SEWING FOOT BOLT
28	9303921445000	FRAME
29	N/S	
30	9303530491000	BEVEL WHEEL, DRIVEN
31	9303530605000	BUFFER DISK
32	9303830505000	BEARING BUSHING
33	N/S	HOOK BEARING W/CAP BEARING
34	N/S	
35	1131593305000	SET SCREW PH 11315-B-M6X
36	9303922905000	BRACKET
37	N/S	TORX SCREW
38	9303920505000	TORSION SPRING
39	9303923091000	LEVER CPL.
40	9303921511000	THREAD CATCHER CPL
41	1264015055000	SCREW DIN 6799-4
42	9303922405000	SPRING
43	9303920905000	LEVER
44	N/S	SCREW
45	412747001	HOOK CPL.
46	412748001	BOBBIN CASE BRACKET CPL
47	412747901	SET SCREW HOOK
48	N/S	SCREW CURVE, THREAD GUIDE
49	412747501	CURVE THREAD GUIDE
50	412748401	BOBBIN CASE CPL.
51	412748901	SPRING LATCH
52	412749101	SET SCREW
53	412749001	SCREW BOBBIN CASE
54	412748601	SPRING THREAD TENSION 0,25MM
55	N/S	LATCH BOBBIN CASE
56	N/S	LEVER BOBBIN CASE
57	9303922591000	BEVEL GEAR, DRIVING

D



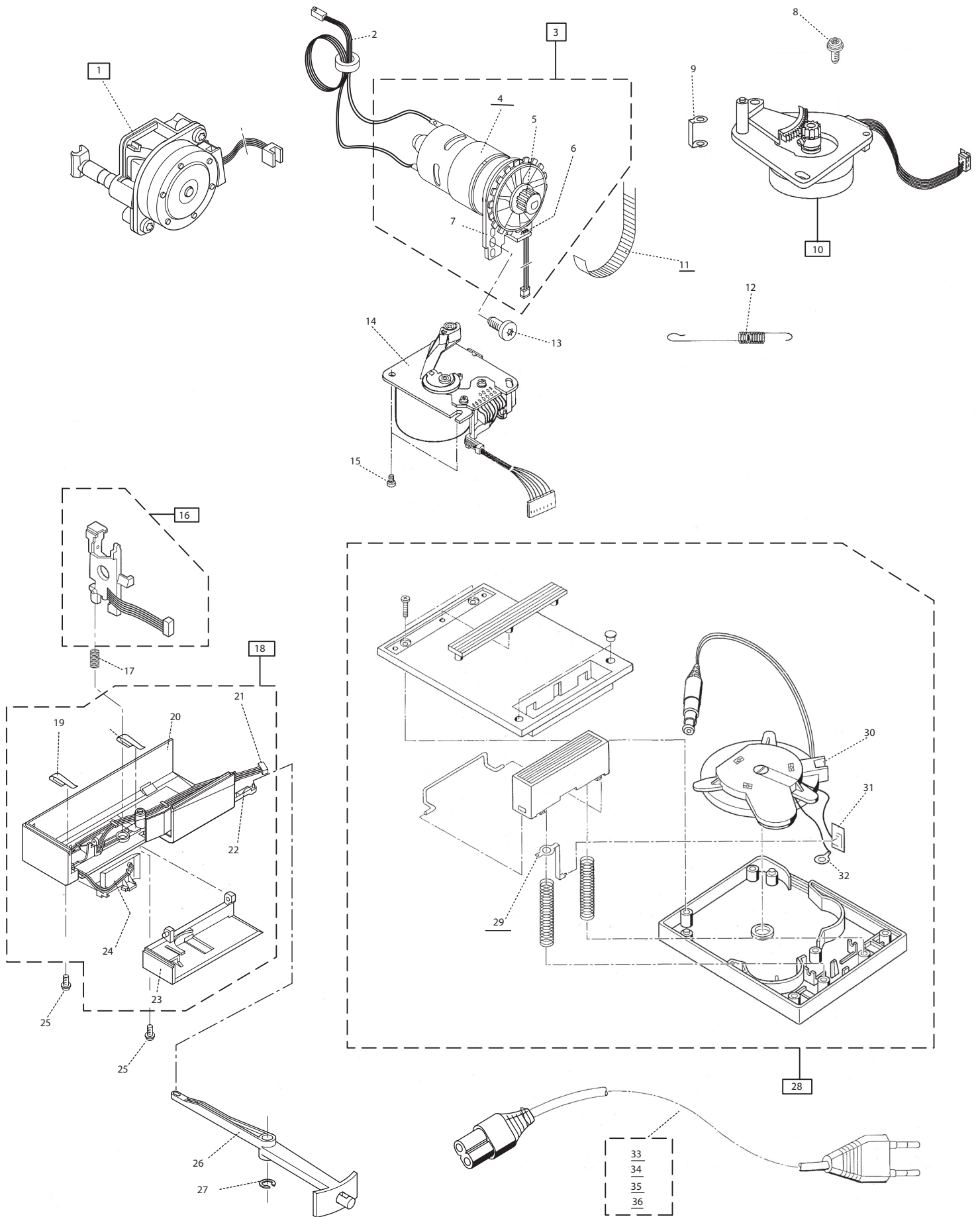
58	9303922305000	LIMIT STOP
59	9303945591000	LIFTING LEVER CPL.
60	9303632305000	ECCENTRIC BOLT
61	9303263305000	WASHER
62	9303831205000	CLAMP STRAP
63	9303638245000	SLIDING EXCENTRIC CAM
64	9303638105000	TRUNNION SCREW
65	9303711891000	STUDED DISK BELOW
66	1131593005000	SET SCREW PH 11315-B-M6X
67	9303831405000	THRUST WASHER
68	1264019055000	SCREW DIN 6799-6
69	9303831305000	HOOK DRIVE SHAFT
70	9303831105000	CLAMP
71	9303634991000	CONNECTING ROD CPL.
72	9303635405000	COMPRESSION SPRING
73	9303835945000	BEARING BOLT
74	9303636005000	TENSION SPRING
75	9303636105000	CLAMP SPRING
76	9303636291000	ANGULAR BRACKET CPL.
77	N/S	WASHER N12630-AS4
78	9303636405000	SETTING ECCENTRIC
79	1172222355002	SCREW PN 11722-M 5*10
80	9303834891000	BUSH
81	9303635891000	GUIDE CPL.
82	9303635645000	CAM LEVER
83	9303834905000	CAM LEVER CPL.
84	1264013055000	WASHER DIN 6799-3,2

E



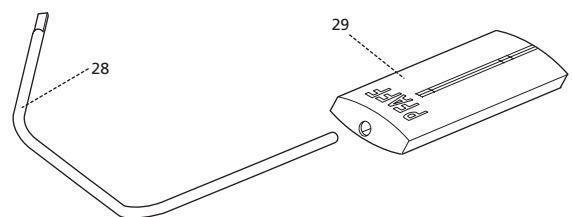
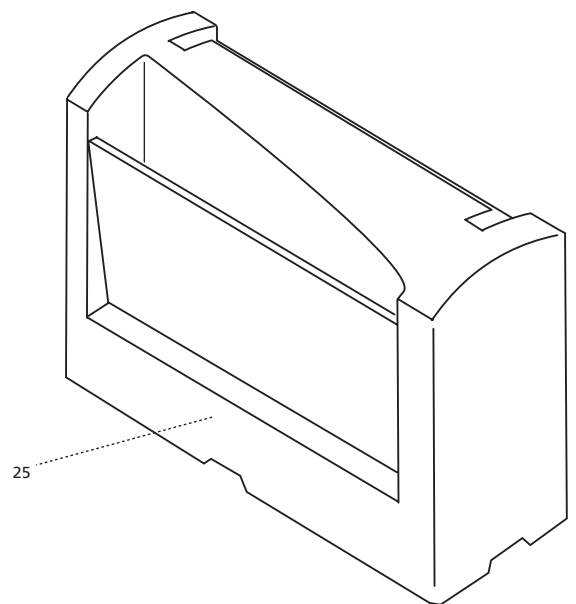
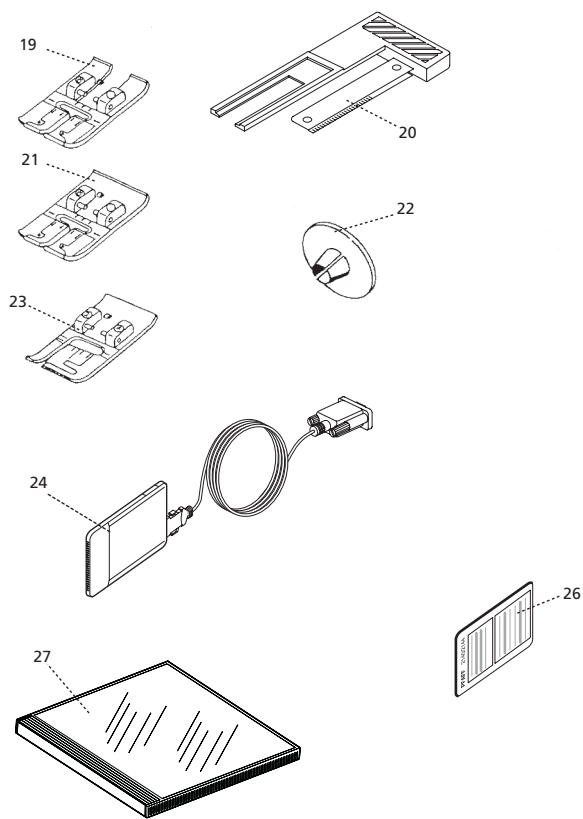
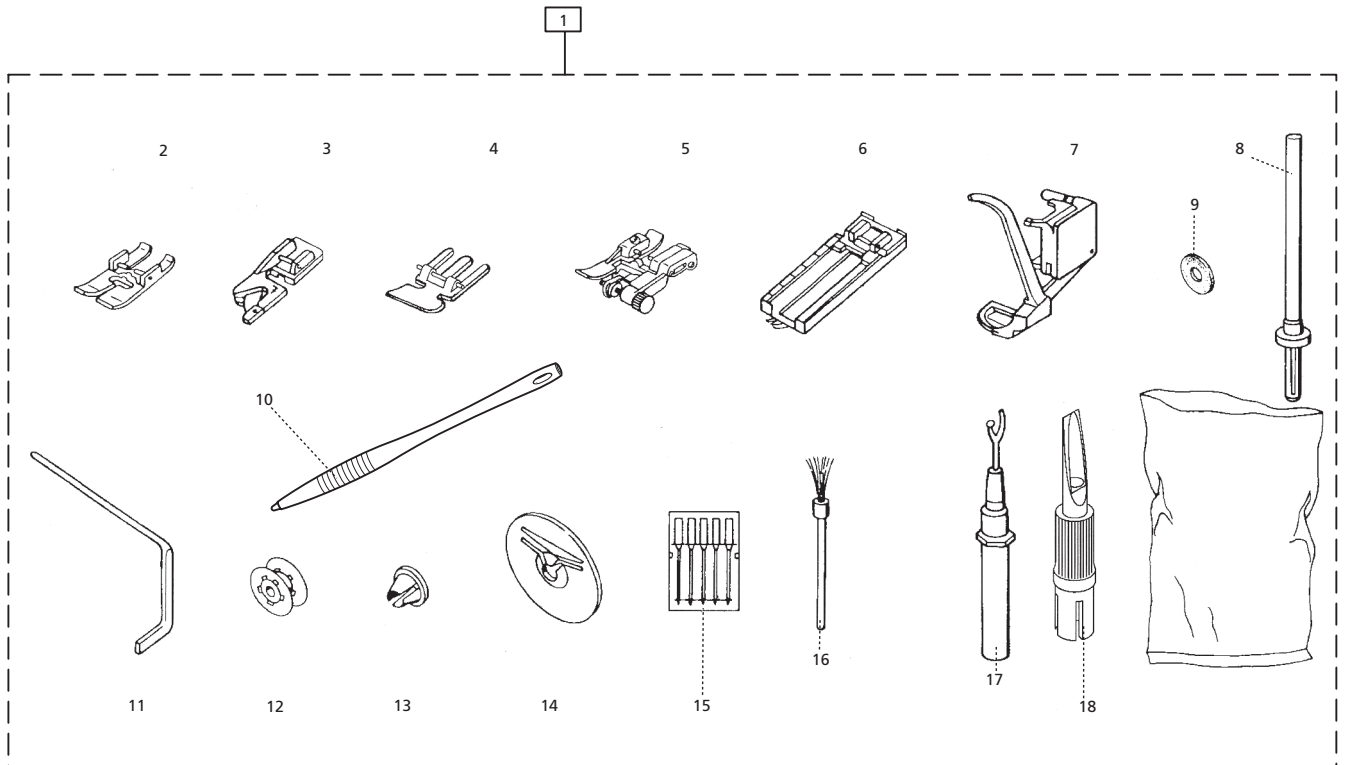
1	9232959591000	BRACKET CPL.
2	N/S	MOTOR COVER
3	9303311855000	SCREW 3*8
4	9303759005000	SUPPORTING BRACKET
5	1172321355000	SCREW PN 11723-C M 3*6
6	9232987991000	PRINTED CIRCUIT CPL.
7	412947701	REVERSE FEED CONTR.W. PRINTING
8	412947501	KEY PAD WITH PRINTING
9	9233034991000	FOAM PAD(2X)
10	9233026491000	DISPLAY CPL. WITH TOUCH PANEL
11	9233025691000	JUMPER 15-POLAR
12	411966828	SCREW PT 30*6 FZB TORX
13	413036445	CONTROL BOARD
14	9233027191000	PRINTED CIRCUIT CPL.
15	1172842725000	SCREW PN 11728-F 3*10(3X)
16	9233025791000	CONNECTING CABLE 36-POLAR
17	9233026891000	EARTH STRAP
18	9233025945000	PCB-HOLDER -N
19	1172217255000	SCREW PN 11722-M4*8(3X)
20	412056007	SCREW TAPTITE M4*16 TORX
21	734113601	PLAIN WASHER
22	9233025191000	INVERTER
23	411966820	SCREW 30*10 FZB KOMBITORX
24	413036345	DRIVE BOARD CPL.
25	9233032291000	CONNECTING CABLE 20-POLAR
26	9303909343000	PANEL PRINTED 2140
	9303906570000	PANEL PRINTED 2144
	412946201	PANEL PRINTED 2170
27	9303908944000	FRONT COVER WITH PRINTING 2140/2144
	412946001	FRONT COVER WITH PRINTING 2170
28	9232997505000	BAYONET-LAMP
29	412919601	SEWING LAMP CPL.
30	412818301	LAMP HOLDER
31	9303758805000	THREAD GUIDE FRAME

F



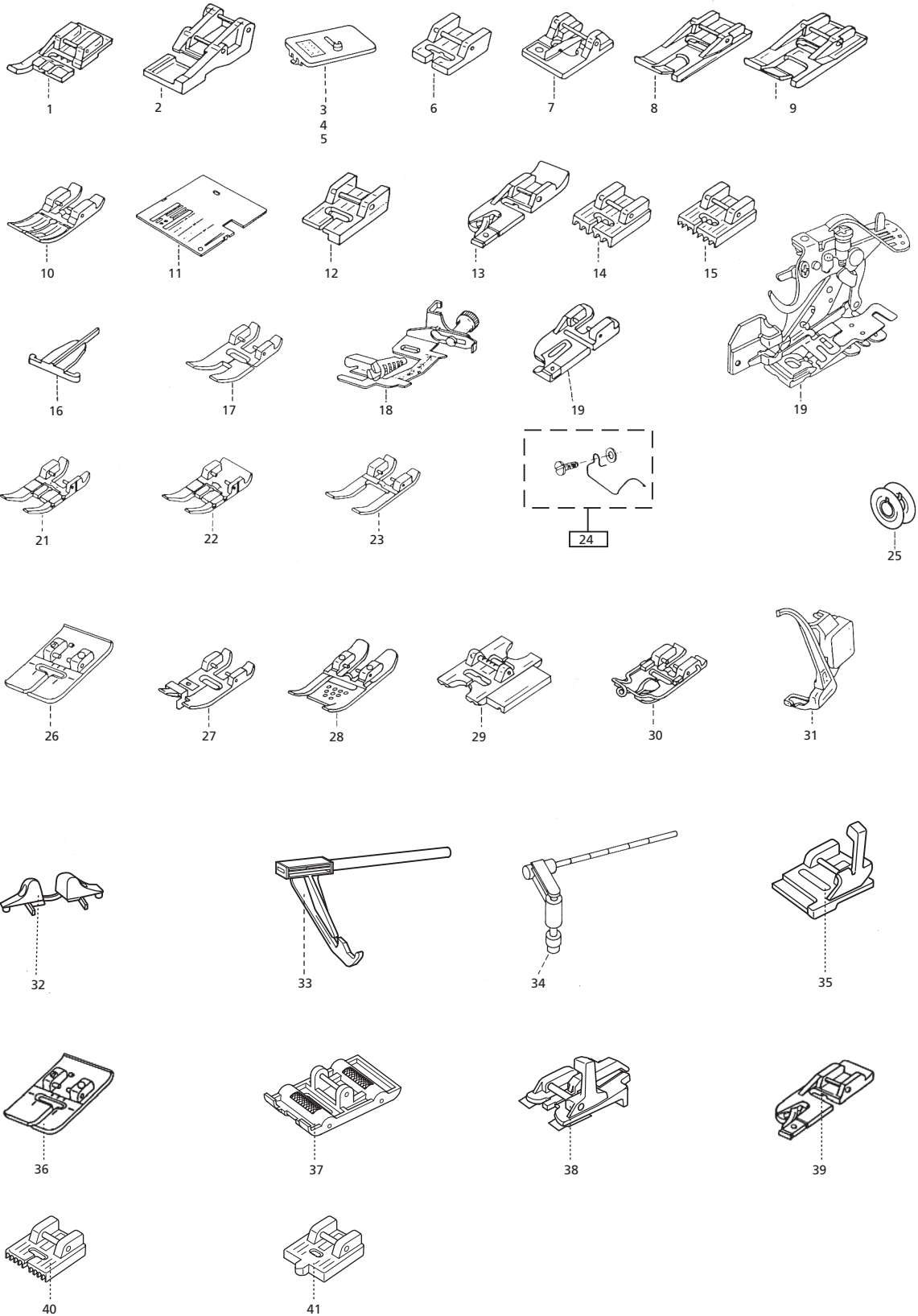
1	9232987591001	MOTOR BRACKET CPL. TR
2	9233021391000	MOTOR CABL
3	9233015491000	MOTOR CPL.
4	9233011191000	ENGINE DOMEL
5	9232996545000	SPEEDO WHEEL
6	9232999191000	TWO BRANCH LIGHT BARRIER
7	N/S	MOTOR BRACKET
8	1172217855002	SCREW PN 11722-M4*12
9	9303814905000	SPRING
10	9233024491001	STEP MOTOR CPL. ZZ
11	9303910805000	ARM SHAFT WITH CROWN WHEEL
12	9303637605000	TENSION SPRING
13	1172222355002	SCREW PN 11722-M 5*10
14	9232945491000	STEP MOTOR CPL.
15	N/S	SCREW PN 11723-M3, 5*8
16	9233024691000	LIGHT BARRIER HOLDER CPL.
17	9232899805000	COMPRESSION SPRING
18	9233026691000	FREE ARM COVER CPL.
19	9303903325000	HINGE SPRING
20	9303903243000	FREE ARM FLAP
21	9233024591000	CABLE CPL.
22	9303832445000	CUP BEARING
23	9303903143000	FREE ARM COVER
24	9233025043000	DIODE BRACKET
25	1172217255000	SCREW PN 11722-M4*8
26	9303832545000	SLIDER
27	1261817045000	RING PN 12618-5
28	413226501	FOOT CONTROL PF 21XX, W. WIND
29	9232246291000	CONTACT SPRING
30	9233021491000	BUILT-INCORDREAL
31	9233010891000	RESISTOR PLATE
32	9232245405000	CONTACT RING
33	412158102	NET CABLE AU
34	7033277414000	NET CABLE GB
35	412157801	NET CABLE 220V
36	412157903	NET CABLE 120V

G



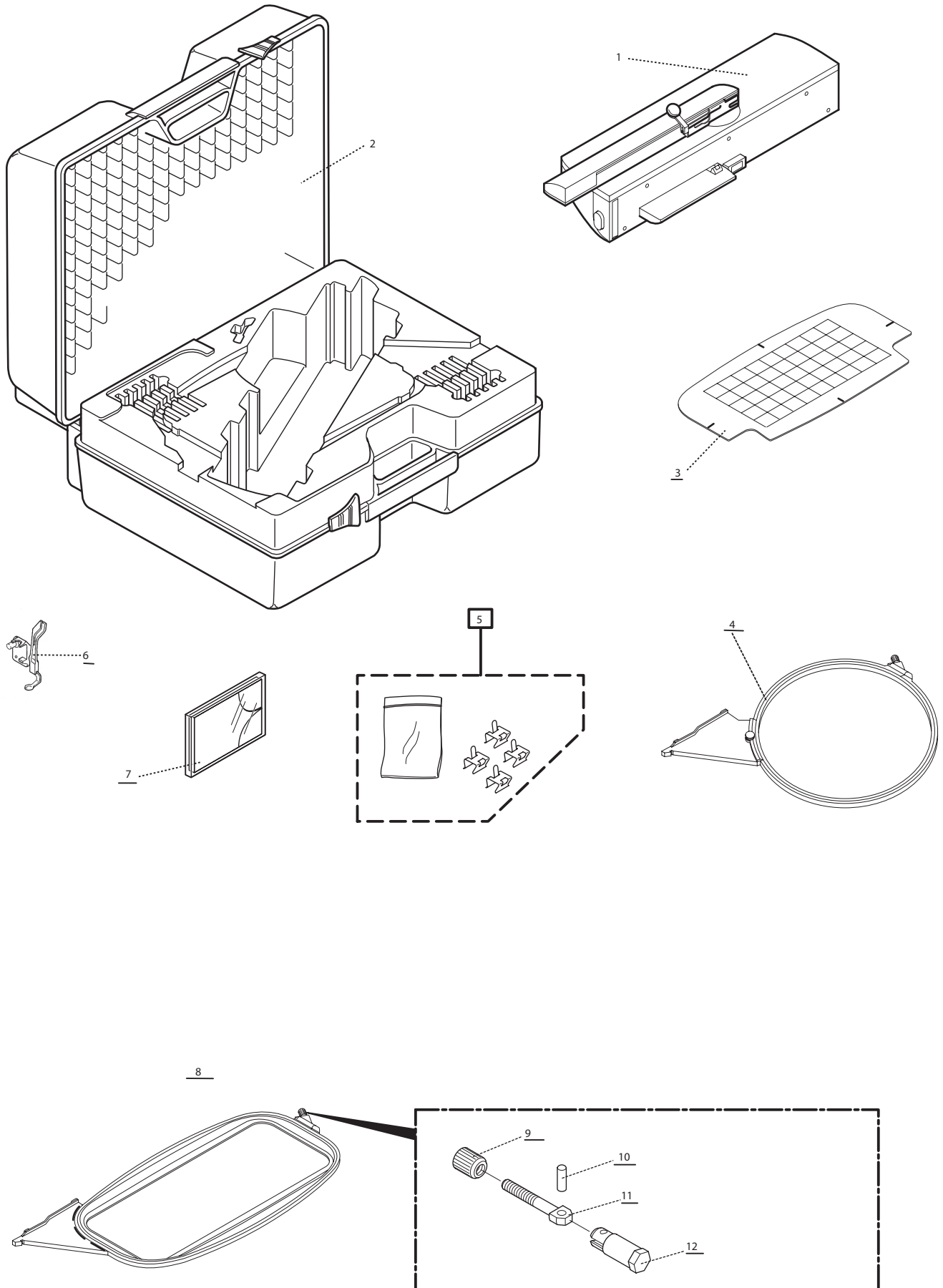
1	N/S	ACCESSORY CPL.
2	820774096	FANCY STITCH FOOT WITH IDT
3	820249096	ROLLED HEM FOOT 3MM
4	820248096	ZIPPER FOOT W. IDT
5	820256096	BLINDHEM/OVERLOCK FOOT W. IDT
6	N/S	BUTTONHOLE FOOT
7	820243096	DARNING FOOT
8	9303306344000	SPOOL PIN
9	9303306405000	FELT WASHER
10	412693401	STYLUS,BLACK
11	820251096	EDGE GUIDE/QUILTING GUIDE
12	820779096	BOBBINS 10-P PFAFF BLUE
13	9303604844000	THREAD GUIDE WASHER
14	9303604944000	THREAD GUIDE WASHER
15	N/S	NEEDLE BOX 5-ER 130/705H
16	401555501	BRUSH
17	401539901	CUTTER
18	N/S	LAMP CHANGER
19	820773096	STANDARD PRESSER FOOT W. IDT
20	N/S	BED CPL.
21	820778096	MAXI-STITCH FOOT
22	9303505044000	SPOOL HOLDER
23	413060501	FANCY STITCH FOOT 2A CPL
24	N/S	TRANSMISSION CARD
25	9303910191000	COVER CPL
26	N/S	STITCH CARD
27	412792696	INSTRUCTION DVD
28	9303912691000	KNEE LEVER CPL
29	9303912944000	END PART, KNEE LIFT

H Sonderzubehör, Special accessories, Accessoires spéciaux, Accessori fuori corredo, accesorios especiales



1	820666096	THREE-GROOVE CORDING FOOT CPL
2	N/S	SHIRRING FOOT
3	820238096	EYELET PLATE 4,5MM CPL
4	820237096	EYELET PLATE 6,5 MM CPL
5	820275096	EYELET PLATE 8,5 MM
6	820214096	APPLIQUE FOOT CPL.
7	N/S	FRINGE SEWING FOOT CPL.
8	N/S	FELLING FOOT 4,5MM CPL
9	N/S	FELLING FOOT 6,5MM CPL
10	N/S	STRAIGHT STITCH FOOT WITH ROUND NEEDLE HOLE CPL.
11	820247096	STRAIGHT STITCH NEEDLE PLATE
12	N/S	KNIT-EDGE/PIP./BEAD.FOOT CPL
13	820220096	ROLLED HEM FOOT 2MM CPL
14	820226096	FIVE GROOVE CORDING FOOT CPL
15	N/S	CORDING FOOT CPL. 7 CORDS
16	N/S	CORDING BLADE
17	820664096	NON STICK FOOT WITH IDT CPL.
18	820245096	BIAS BINDER
19	820221096	ROLLED HEM FOOT 4MM W. IDT CPL
20	820255096	RUFFLER ATTACHMENT
21	820926096	1/4 INCH QUILTING FOOT/IDT
22	820212096	1/4 INCH QUILT FOOT CPL
23	820213096	OPEN TOE APPLIQUE FOOT 9MM CPL
24	N/S	FINGER GUARD
25	N/S	BOBBIN, METAL 5PCS
26	N/S	TEFLON EMBROIDERY FOOT CPL.
27	820609096	NARROW EDGE FOOT CPL.
28	820608096	7/9-HOLE CORD FOOT CPL.
29	820776096	PINTUCK FOOT W. GUIDE 9MM CPL
30	820607096	BRAIDING FOOT CPL.
31	820544096	OPEN TOE FREE MOTION FOOT
32	N/S	FAGOT GUIDE 3,5MM & 5MM
33	N/S	QUILTING GUIDE
34	N/S	CIRCULAR EMBROIDERY GUIDE
35	820668096	GATHERING FOOT METAL CPL
36	820777096	NON STICK DEC. STITCH FOOT CPL
37	820663096	ROLLER FOOT CPL
38	820473096	SEW ON BUTTON FOOT
39	820249096	ROLLED HEM FOOT 3MM
40	820479096	CORDING FOOT CPL. 9 CORDS
41	820474096	INVISIBLE ZIPPER FOOT

I



PFAFF creative 2140-2144-2170

Notizen / notes:

1	N/S	EMBROIDERY AGGREGATE CPL.
2	9310800891000	BOX CPL.
3	412862101	TEMPLATE 225*140
4	9303934344000	EMBROIDERY FRAME, 120
5	412651804	SET OF CLIPS (8X)
6	820280096	CREATIVE FANTASY EMBR.FOOT
7	N/S	MEMORYCARD 300 CPL.
8	9303934044000	EMBROIDERY HOOP 225 CPL
9	9303737044000	KNURL NUT
10	1303313605000	PIN 2,5*6-A
11	9303736905000	SCREW
12	9303736805000	HOUSING

© 2011
Copyright VSM Group AB
All rights reserved

Technische Änderungen vorbehalten
Subject to alterations in design
Sous toute réserve de modifications
techniques
Salvo modificaciones técnicas
Con riserva di modifiche tecniche

