

PFAFF

creative 2124

german engineering

Ersatzteile-Liste
List of spare parts
Liste des pièces détachées
Catalogo pezzi staccati
Lista de piezas de repuesto

Nicht nummerierte Teile im Katalog werden nicht geliefert.

The parts mentioned without number in the parts list are not available.

Les pièces qui ne sont pas numérotées dans la liste de pièces détachées ne peuvent être livrées.

Pezzi non catalogati non sono disponibili.

Las piezas de repuesto sin número en esta lista no se entregarán.

Bei Bestellung von Ersatzteilen muss die Modell-Nr. der Maschine, die Seitenzahl des Kataloges und die Teilenummer angegeben werden.

Die Verschleißteile-Nummern sind in der Teileliste unterstrichen.

When ordering spare parts, please state the model number, the page number in the catalogue of spare parts and the number of the parts called for.

The wear and tear part numbers are underlined in the parts list.

Prière d'indiquer dans vos commandes de pièces de rechange, le numéro de la machine, le numéro de la page dans la liste des pièces détachées, ainsi que les numéros des pièces commandées.

Les numéros de pièces d'usure sont imprimés soulignés dans la liste des pièces.

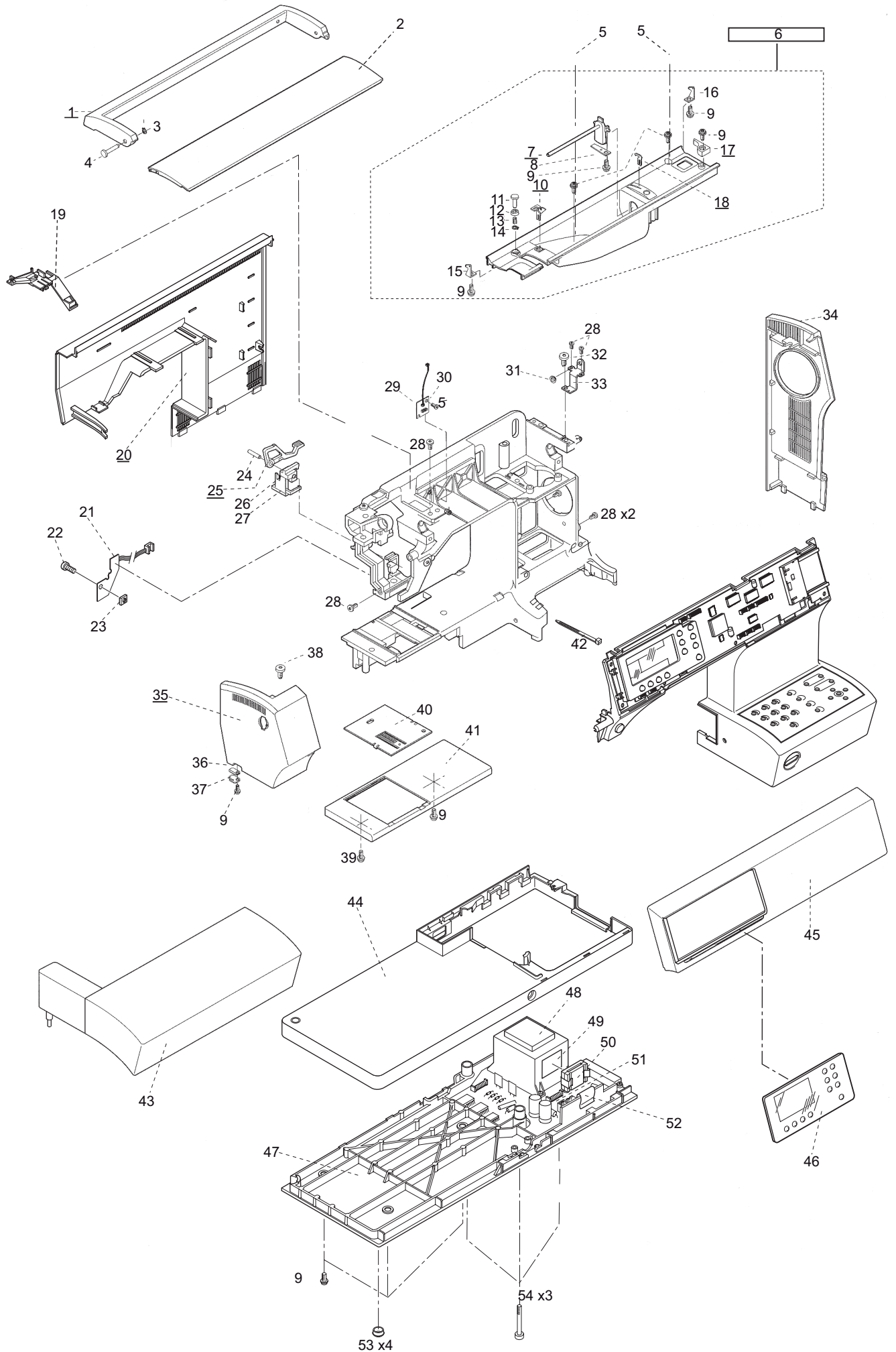
La richiesta dei pezzi di ricambio deve contenere il modello della macchina, la pagina del catalogo e il codice del pezzo.

I codici dei pezzi d'usura sono quelli sottolineati nel catalogo.

Al pedir piezas, sírvanse de indicar el número del modelo de la máquina, la página de la lista de piezas de repuestos y el número de la pieza deseada.

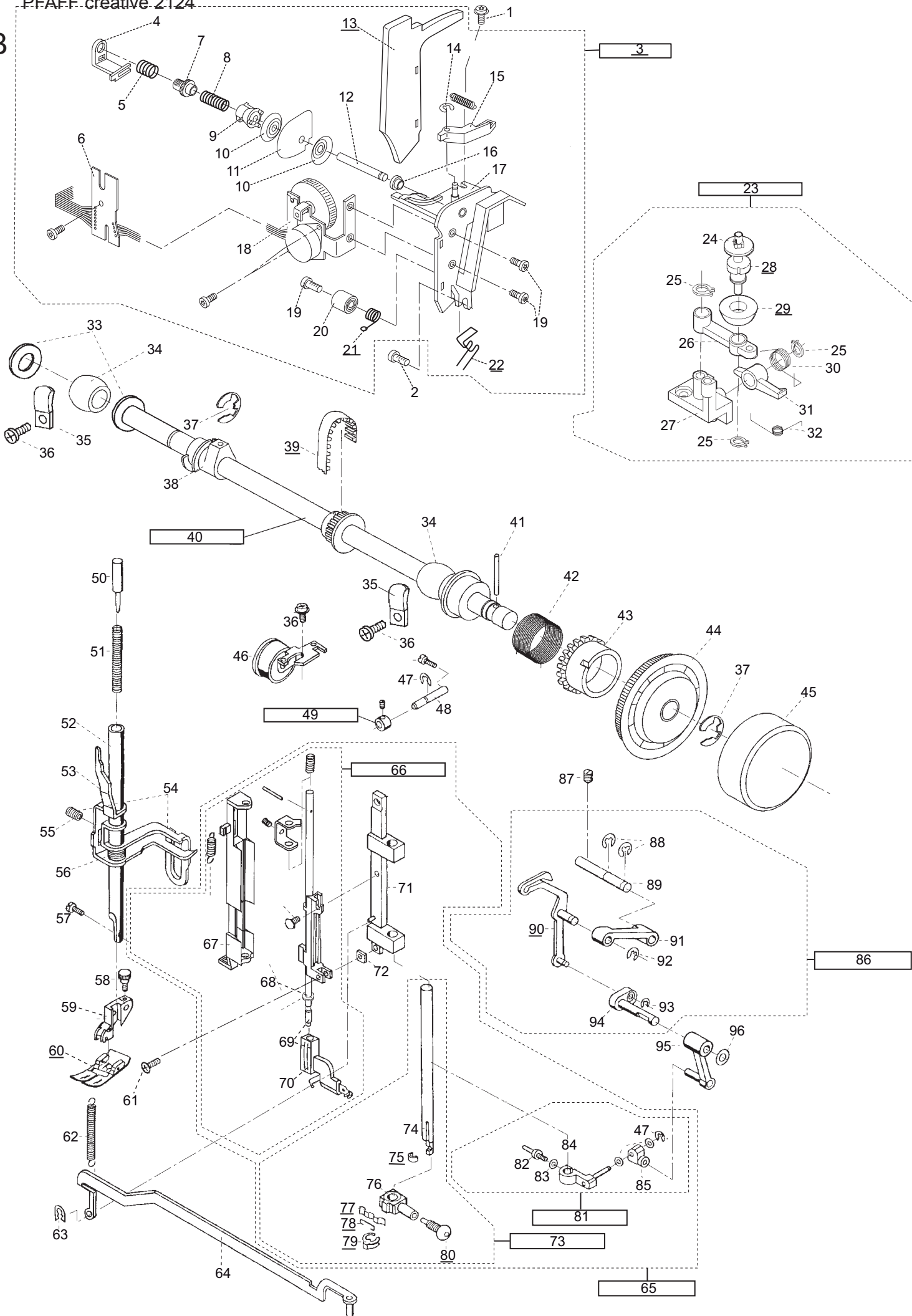
Los números de las piezas de desgaste están subrayadas en la lista.

A

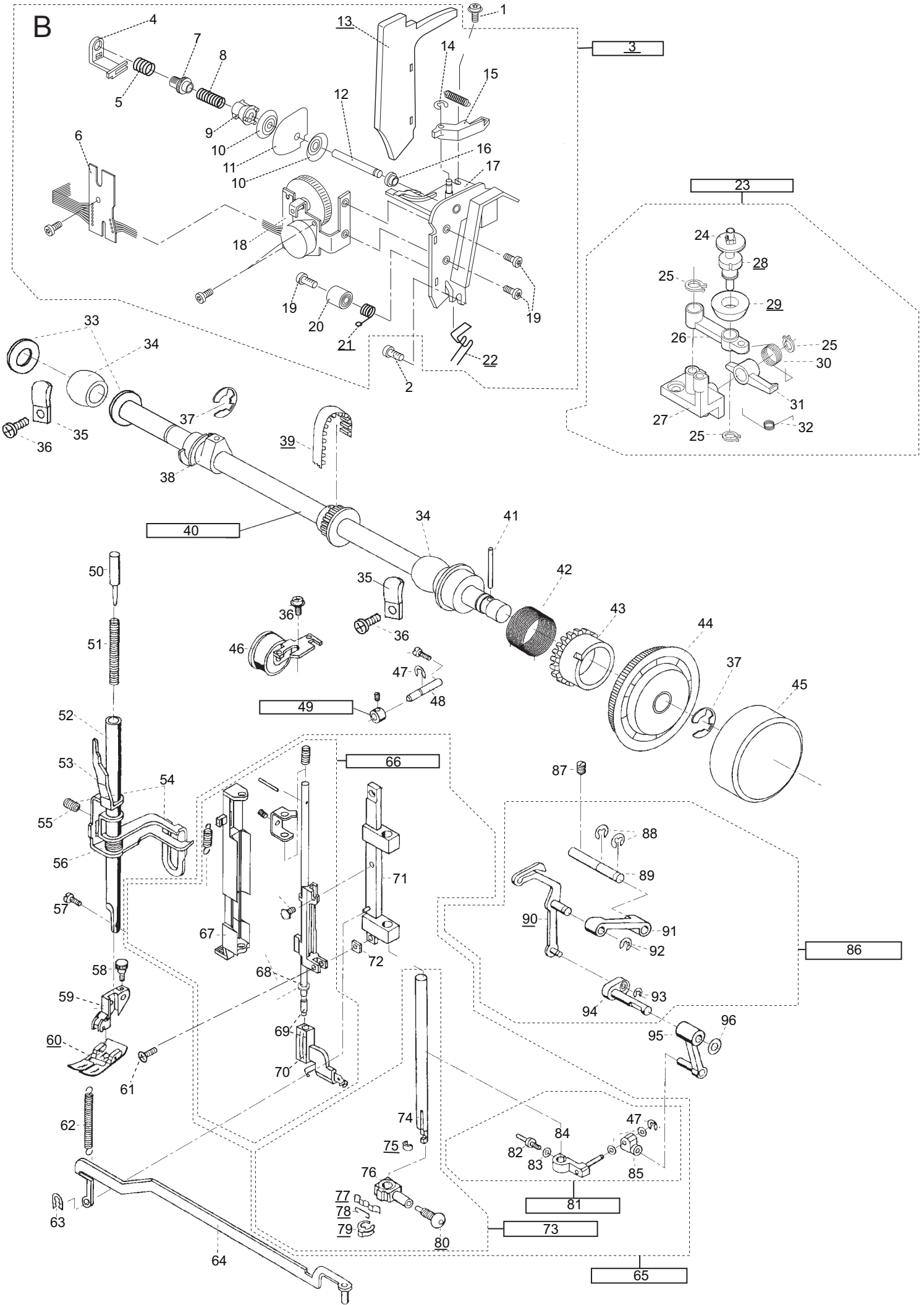


1	412864601	HANDLE
2	412786701	ARM COVER PRINTED
3	735310620	LOCK WASHER 2.3
4	9303506615000	SAFETY BOLT
5	1172217255000	SCREW PN11722-M4*8
6	9303805091000	HOUSING INSERT CPL.
7	9303305244000	SPOOL PIN
8	9303305405000	SPRING
9	9303311855000	SCREW 3*8
10	9303805225000	THREAD GUIDE
11	9303017435000	GUIDE PIN
12	9303205025000	THREAD GUIDE
13	9304006005000	SPRING
14	1261814045000	RING PN 12618-3,5
15	9303805505000	PLATE LEFT
16	9303805405000	PLATE RIGHT
17	9303805344000	STOP
18	9303305725000	THREAD GUIDE
19	9232998991000	CABLE GUIDE
20	412786001	REAR COVER PRINTED
21	412781701	PRESSER FT LIFTER SENSOR
22	1172321355000	SHR PIN 11723-C M 3*6
23	1209090105000	NUT M3 DIN 562
24	9303814005000	BOLT
25	412781601	FOOT LIFTER CPL.
26	9303814345000	RECEPTABLE UPPER FRAME
27	9303814245000	LIFTER LEVER FRONT SIDE
28	9303808455000	SHOULDER SCREW
29	9233011791000	SYNCHRONIZER
30	9232998691000	SYNCHRONIZER CIRCUIT BOARD
31	9303311345000	SLEEVE
32	1172222355002	SCREW PN 11722-M 5*10
33	9303806655000	B/W BRACKET
34	9303808543000	SIDE COVER
35	412785801	COVER SEWING HEAD CPL.
36	9303227205000	KNIFE
37	416329001	KNIFE COVER
38	1119090515004	SCREW D7985-M5*10-Z1
39	9303733855000	NEEDLE PLATE SCREW
40	9303890935000	NEEDLE PLATE
41	9303803543000	FREE ARM COVER PLATE
42	412619701	WIRE TIES
43	9303807591000	ACCESSORY BOX CPL.
44	9303803870000	COVER FOR BASE PLATE
45	412782901	FRONT COVER WITH PRINTING
46	412782301	CONTROL PANEL
47	9303904009000	BOTTOM PLATE
48	9303850391000	POWER TRANSFORMER SUPPLY
49	412931501	TAPE DOUBLE STICK FERRIT CORE
50	412914901	FERRITE
51	412780801	POWER SUPPLY BOARD
52	412861401	CLIPS, BASE PLATE
53	9304112245000	DAMPING FOOT
54	9303804255000	SCREW

B

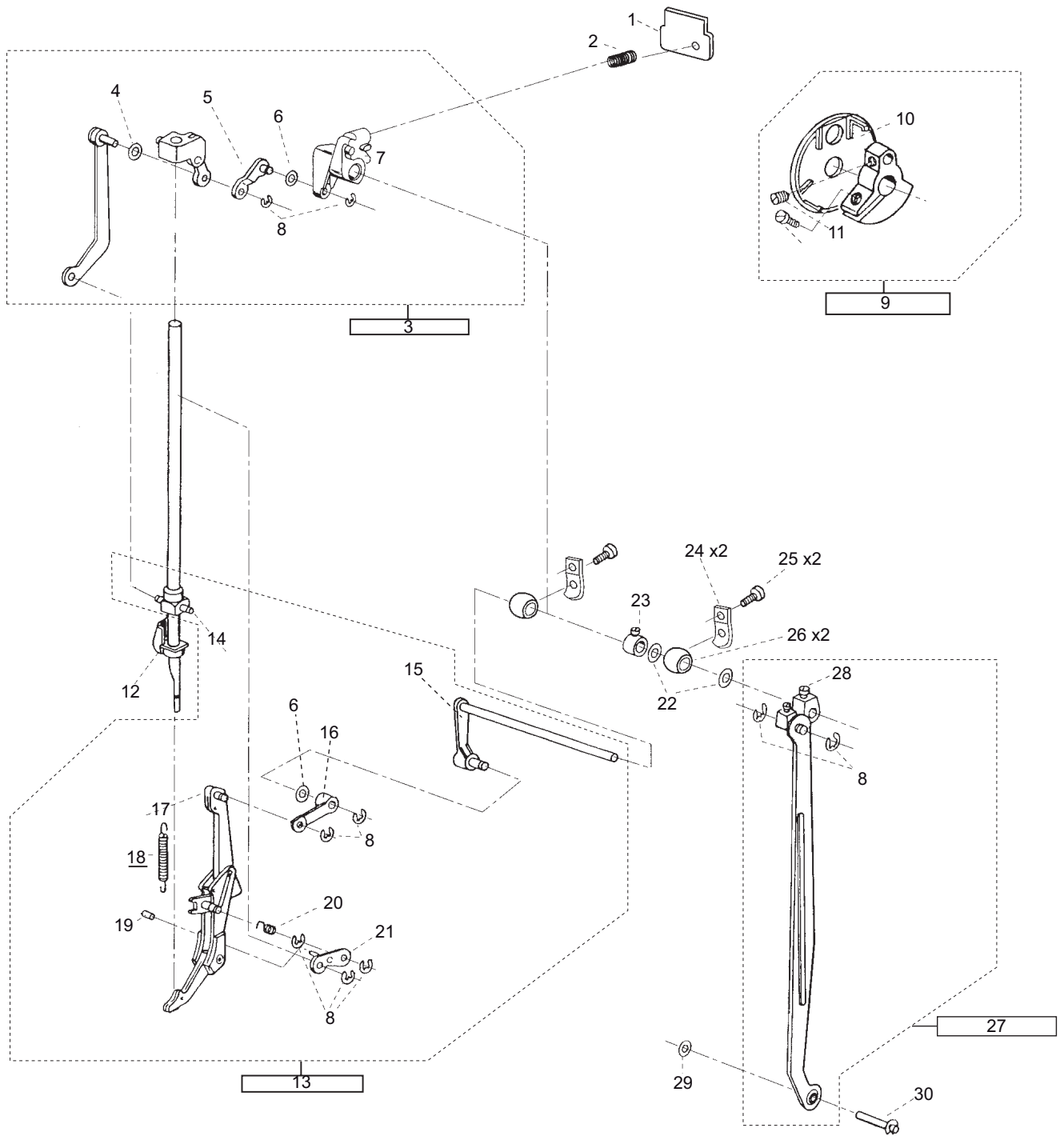


1	1172217225900	SCREW PN 11722-M4*8 W. WASHER
2	1172217255000	SCREW PN11722-M4*8
3	412785901	THREAD TENSION CPL.
4	9303557515000	BRACKET, THREAD TENSION
5	412732501	CHECK SPRING
6	412786601	PRINTED CIRCUIT CPL.
7	9303557615000	BUSHING
8	9303758105000	COMPRESSION SPRING
9	9303557745000	PRESSURE TRANSMITTER
10	9303658225000	THREAD TENSION DISK, OUTER
11	9303758305000	THREAD TENSION DISK, MIDDLE
12	9303757405000	SHAFT, THREAD TENSION
13	9303825143000	CAP
14	1261812045000	LOCKING WASHER PN 12618-3
15	9233015205000	TENSION SPRING
	9233015745000	TENSION RELEASE LEVER
	9232419405000	MAGNET
16	9303754345000	BEARING
17	9303925344000	BRACKET
18	412790001	STEP MOTOR
19	1172324455000	SCREW PN11723-CE-M3*12
20	9303558645000	BUSHING
21	9303558705000	CHECK SPRING
22	9303754505000	THREAD GUIDE,THREAD TENSION
23	9303813091000	HOLDER CPL, BOBBIN WINDING
24	1305298615000	PIN ISO 8750-1*5
25	1261819045000	RING
26	9303813205000	BOBBIN JOINT
27	9303813105000	BOBBIN WINDER HOLDER
28	412877101	BOBBIN WINDER PF
29	9310181505000	FRICTION RING, BOBBIN WINDING
30	9303813505000	TORSION SPRING
31	9303813405000	HANDLE
32	9303813605000	TORSION SPRING
33	9303811805000	WASHER
34	9303811305000	BUSHING
35	9303810105000	CLAMP STRAP
36	1172222355002	SCREW PN 11722-M5*10
37	1264021055000	WASHER
38	412815501	REVOLUTION INDICATOR CPL.
39	9303810405000	HOOK DRIVE BELT
40	9303812391000	ARMSHAFT CPL
41	1307103455000	GROOVED PIN ISO 8742-3*24
42	9303811405000	SPRING ON MAIN SHAFT
43	9303811145000	CLUTCH
44	9303812291000	BELT PULLEY
45	9303812944000	HAND WHEEL KNOB
46	9303611591000	ANGLE CPL WITH CLAMPING REEL
47	1264013055000	WASHER DIN 6799-3,2
48	9303518505000	PIN
49	9303518611000	COLLAR CPL.
50	9304020715000	PIN
51	9304020605000	COMPRESSION SPRING
52	9303619505000	PRESSER BAR
53	9303619815000	LEVER
54	9303656291000	GUIDE CPL.
55	1131591705000	SET SCREW
56	9303519905000	COMPRESSION SPRING
57	9303619615000	SCREW



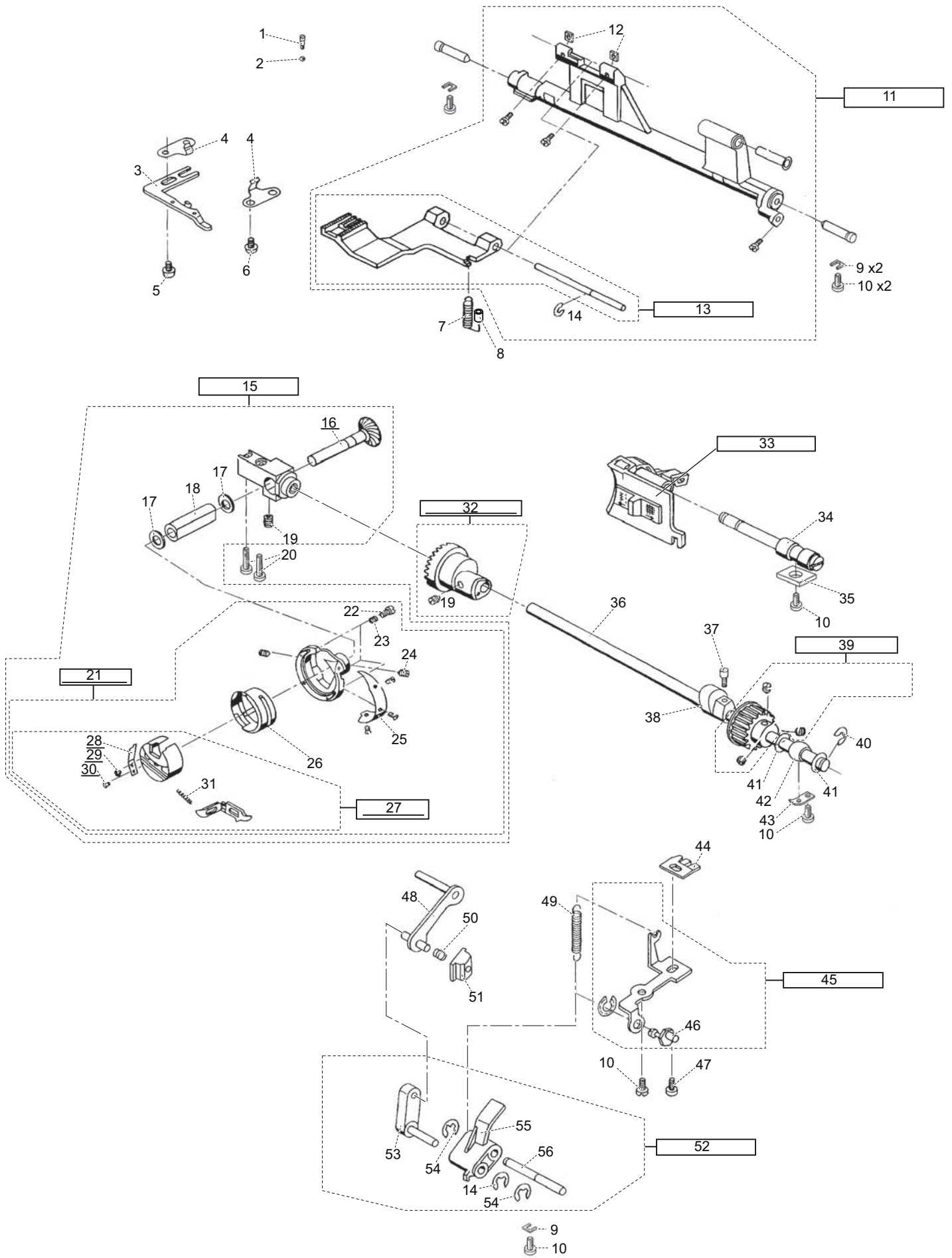
58	9869488900000	SCREW
59	9869488600000	SEWING FOOT HOLDER
60	820773096	STANDARD PRESSER FOOT W. IDT
61	9303610915000	OVAL HEAD SCREW
62	9304065405000	COMPRESSION SPRING
63	9304018415000	BENZING CLIP-U93
64	9303814791000	CONNECTION
65	9303816691000	PENDEL CPL. W. NEEDLE.THREADER &BAR
66	9303816591000	NEEDLE THREADER CPL.
67	9303817045000	NEEDLE THREADER KEY
68	9303634845000	BUFFER DISK
69	9303816791000	THREADER CARRIER
70	9303818091000	THREADER HOOK
71	9303614691000	PENDULUM CPL.
72	1209090105000	NUT M3 DIN 562
73	9303670171000	NEEDLE BAR CPL.
74	9303412605000	NEEDLE BAR
75	9303412805000	THRUST PIECE
76	9303412715000	NEEDLE CLAMP
77	9303413125000	THREAD GUIDE
78	9303413305000	THREAD RETAINER
79	9303413015000	NEEDLE HOLDER CLIP
80	9303412915000	NEEDLE FASTENING SCREW
81	9303615091000	CORSS HEAD CPL.
82	9303615215000	CLAMPING BOLT
83	9303615515000	WASHER
84	9303515505000	NYLON WASHER
85	9303515105000	JOINT PIECE, FINISHED PART
86	9303810291000	TAKE UP LEVER CPL.
87	1131722325000	THREADED PIN
88	1264017055000	SCREW DIN 6799-5
89	9303514105000	BOLT
90	9303613291000	THREAD LEVER CPL.
91	9303514045000	ROCKING ARM
92	1264015055000	SHB DIN 6799-4
93	735310620	LOCK WASHER 2.3
94	9303513791000	CRANK BOLT CPL.
95	9303512991000	CONNECTOR LINK NEEDLE BAR
96	9303512805000	WASHER

C



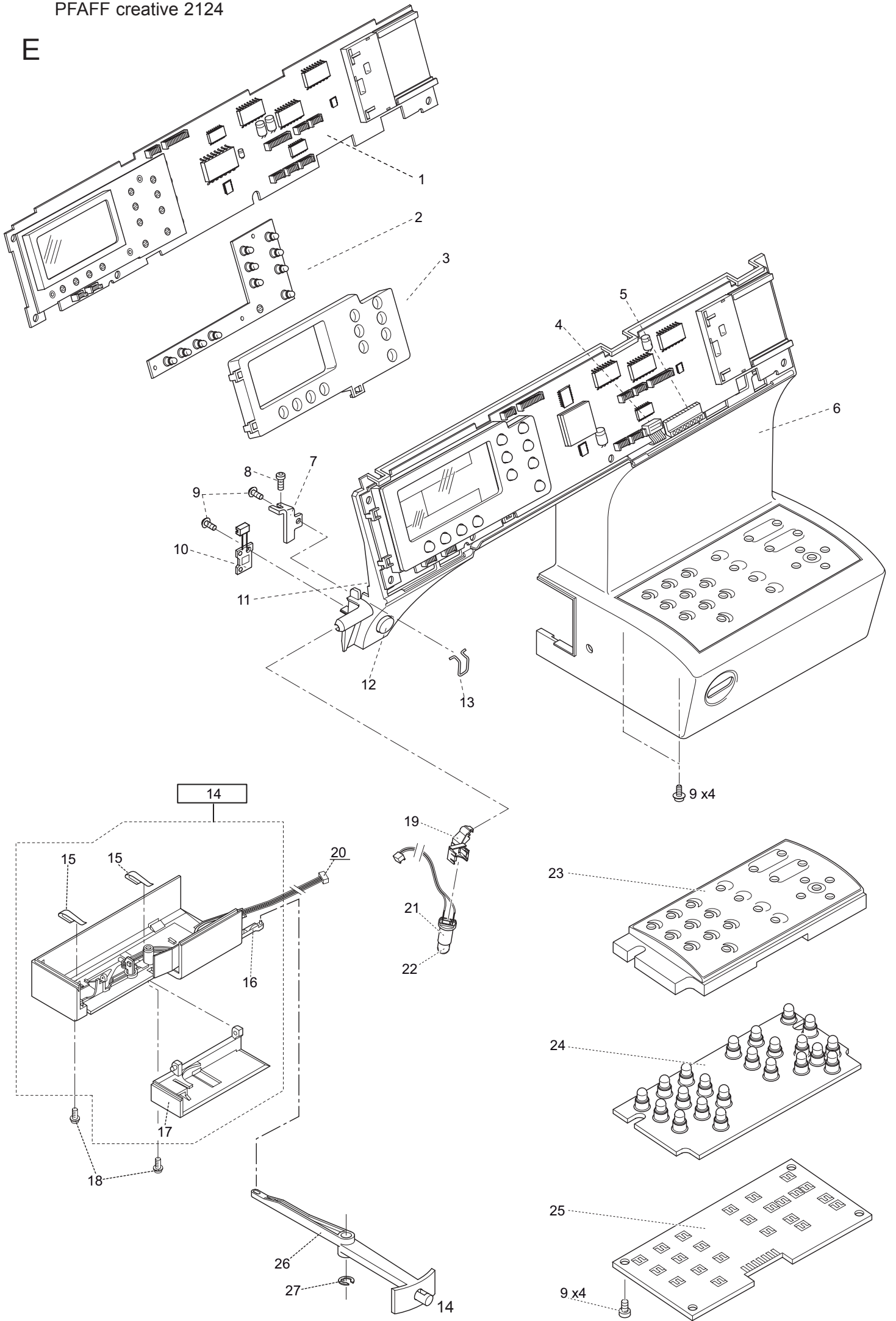
1	9303813715000	PLATE
2	9303620905000	COMPRESSION SPRING
3	9303620591000	LIFTING MECHANISM
4	1236900105000	SCH.4,6*6,7 PH12369
5	9303620601000	TIE ROD CPL.
6	9303634845000	BUFFER DISK
7	9303621291000	ROLLER BUSHING ASSEMBLY CPL.
8	1264013055000	WASHER DIN 6799-3,2
9	9303811591000	CRANK WITH FEED LIFTING
10	9303620445000	ECCENTRIC
11	1131593305000	SET SCREW N11315-B-M6*5
12	9303625891000	GUIDE CPL.
13	9303621791000	SHEAR GEAR CPL.
14	9303625705000	CROSSHEAD
15	9303622791000	ARM SHAFT
16	9303622505000	LINK
17	9303623091000	TOP FEED
18	9303624015000	TENSION SPRING
19	9303625345000	FLEXIBLE TUBE
20	9303624405000	SPRING
21	9303624991000	LINK
22	9303530605000	BUFFER DISK
23	9303629791000	COLLAR
24	9303831105000	BUSHING BRACKET
25	1172217255000	SCREW PN11722-M4*8
26	9303831405000	COLLAR
27	9303628591000	CONNECTING ROD CPL. WITH CRANK
28	1119390205000	SCREW. AM4*5,5 N11193
29	9303634745000	SPACING WASHER
30	9304029491000	STUD

D



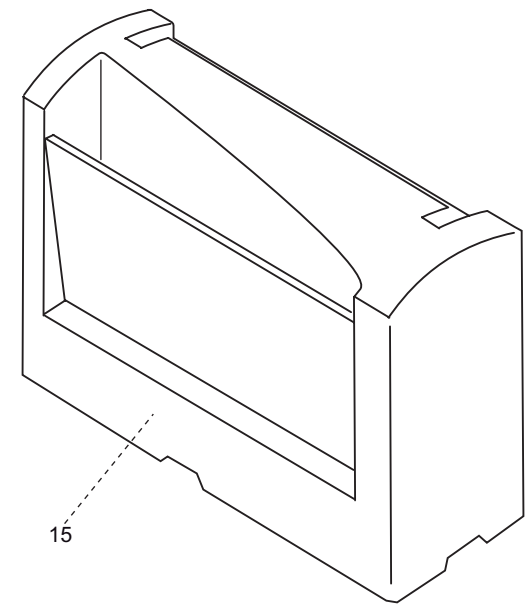
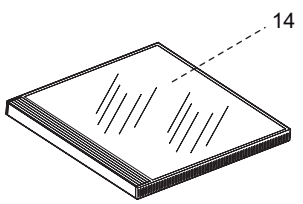
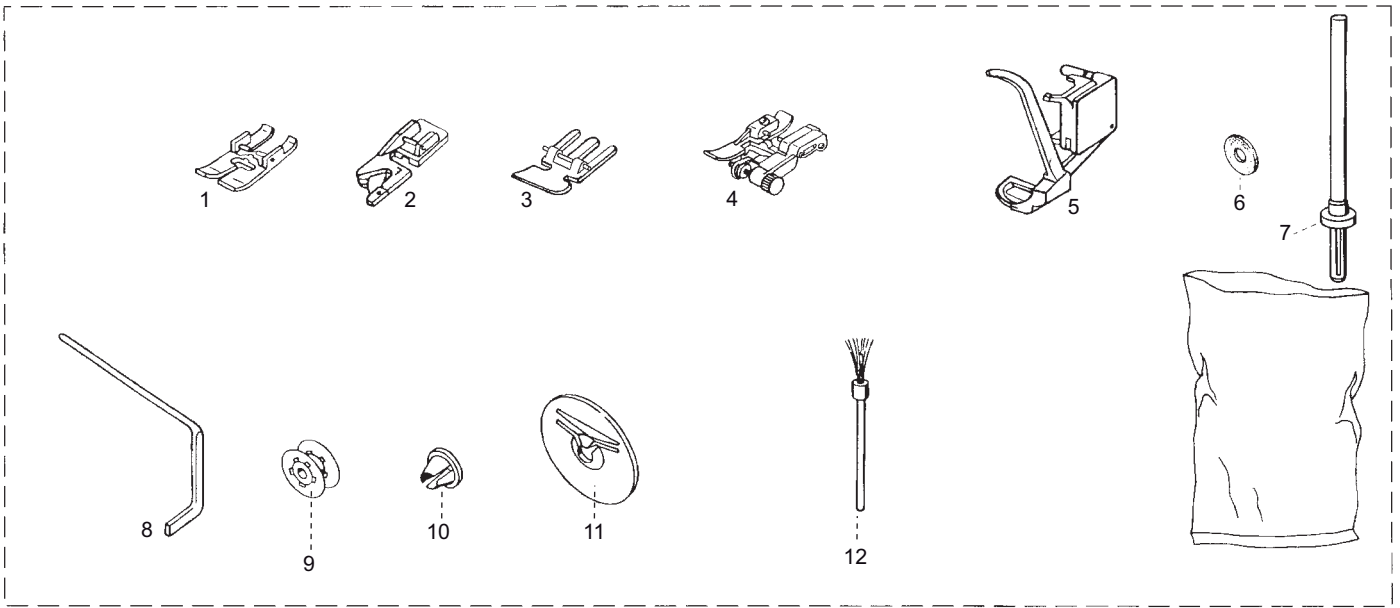
1	9303508815000	SCREW, EXCENTRIC
2	1200000155000	NUT ISO 10511 M3
3	9303531491000	POSITION FINGER
4	9303508715000	LEAF SPRING
5	1172217255000	SCREW PN11722-M4*8
6	1172143255002	SCHR.D7500-BE M4*6
7	9303534705000	COMPRESSION SPRING
8	9303833745000	BUSHING
9	9303833605000	WASHER CLAMP PLATE
10	1172217855002	SCREW PN 11722-M4*12
11	9303833091000	FED DOG LEVER
12	1209090105000	NUT M3 DIN 562
13	9303634491000	FEED DOG
14	1264013055000	WASHER DIN 6799-3,2
15	N/S	HOOK BEARING CPL.
16	9303530491000	GEAR
17	9303530605000	BUFFER DISK
18	9303830505000	BEARING BUSHING
19	1131593305000	SET SCREW N11315-B-M6*5
20	1172350355002	SCREW PN 11723-C-M4*20
21	412747003	HOOK CPL.
22	412747701	SCREW HOOK CLAMP
23	412747601	SPRING HOOK CLAMP
24	412747901	SET SCREW HOOK
25	412747501	CURVE THREAD GUIDE
26	412748001	BOBBIN CASE BRACKET CPL.
27	412748401	BOBBIN CASE CPL.
28	412748601	SPRING THREAD TENSION 0,25 MM
29	412749001	SCREW BOBBIN CASE
30	412749101	SET SCREW
31	412748901	SPRING LATCH
32	9303922591000	BEVEL GEAR
33	9303945591000	LIFTING LEVER CPL.
34	9303632305000	SHAFT
35	9303263305000	WASHER
36	9303831205000	SHAFT
37	9303638105000	SCREW
38	9303638245000	SLIDING ECCENTRIC CAM
39	9303711891000	PULLEY CPL.
40	1264019055000	SHB DIN 6799-6
41	9303831305000	THRUST WASHER
42	9303831405000	COLLAR
43	9303831105000	BUSHING BRACKET
44	9303636105000	SPRING
45	9303636291000	BRACKET
46	9303636405000	ECCENTRIC
47	1172222355002	SCREW PN 11722-M 5*10
48	9303634991000	ROD
49	9303636005000	SPRING
50	9303635405000	SPRING
51	9303835945000	SLIDE BLOCK
52	9303834891000	CAM LEVER CPL.
53	9303635891000	GUIDE
54	1264015055000	SHB DIN 6799-4
55	9303635645000	LEVER
56	9303834905000	BEARING BOLT

E



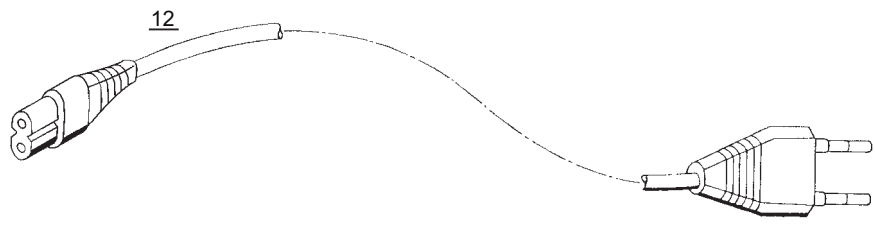
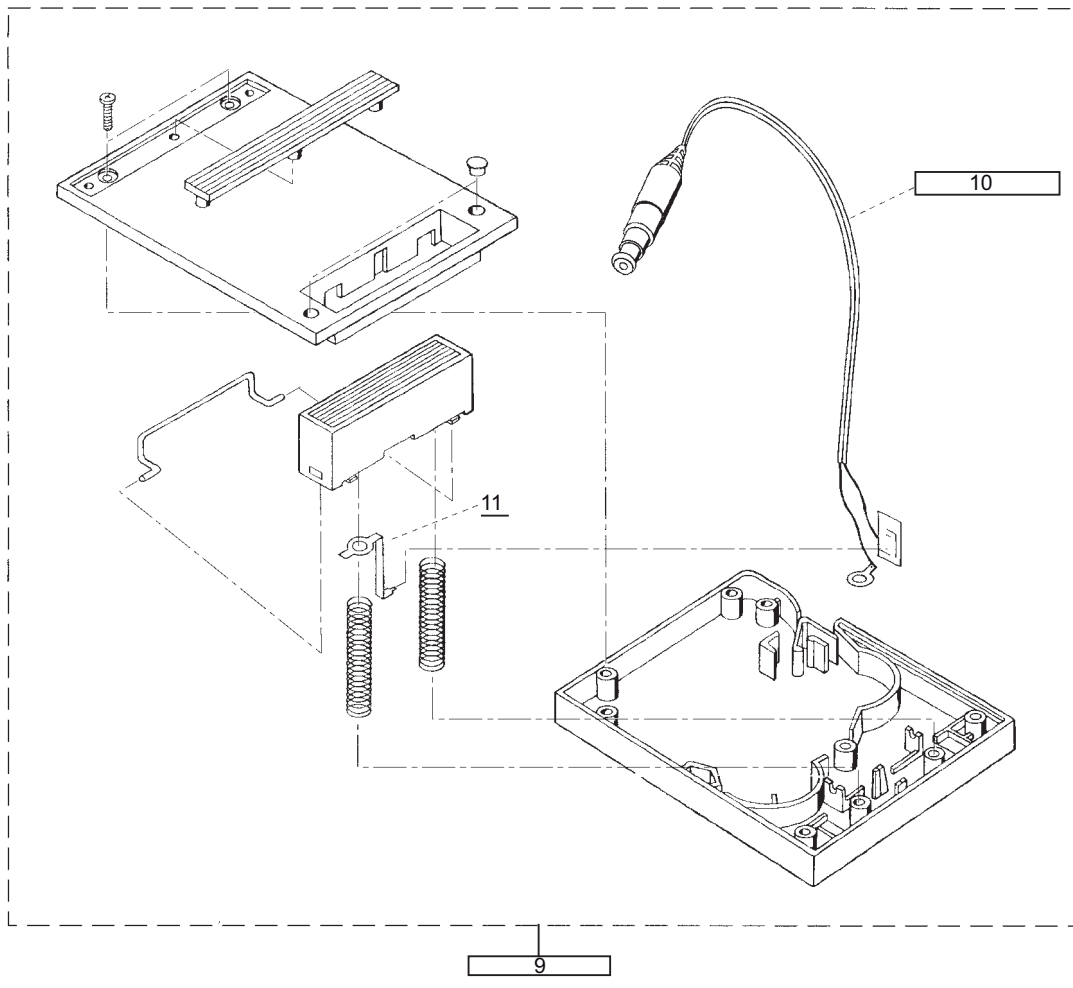
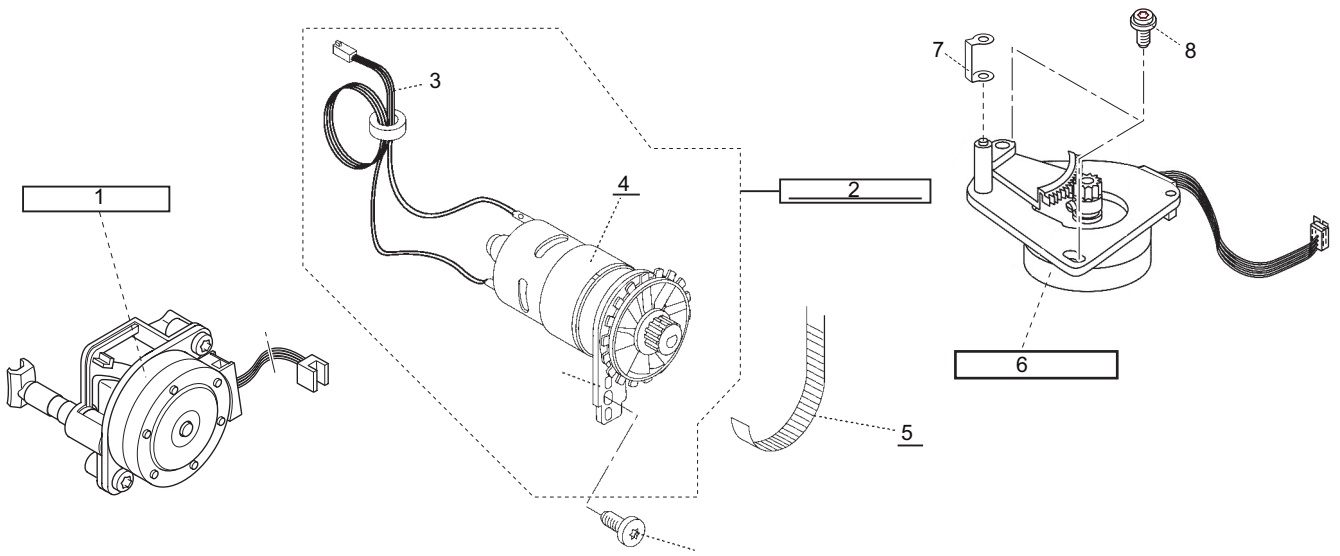
1	412780545	CONTROL BOARD
2	412781301	KEYPAD
3	412781101	HOLDER FRAME
4	9233010991000	FLAT CABLE
5	9233010391000	FLAT CABLE
6	9303843043000	FRONT CASE
7	9303759005000	SUPPORTING BRACKET
8	1172321355000	SHR.PN 11723-C M3*6
9	9303311855000	SCREW 3*8
10	9232959591000	CARRIER
11	9232987991000	REVERSE SWITCH
12	9232987745000	REVERSE BUTTON PRINTED
13	9303758805000	SPRING
14	412785701	FREE ARM COVER CPL.
15	9303903325000	HINGE SPRING
16	9303832445000	CONNECTING LEVER
17	9303903143000	BOBBIN CASE DOOR
18	1172217255000	SCREW PN11722-M4*8
19	412823501	LAMP HOLDER
20	412781901	PRINTED CIRCUIT CPL.
21	412919601	SEWING LAMP NV CPL.
22	9232997505000	LIGHT BULB
23	412782701	PROGRAM PANEL PRINTED
24	412781501	KEYPAD
25	9232994091000	PRINTED CIRCUIT
26	9303832545000	FEED DOG LEVER
27	1261817045000	RING PN 12618-5

F



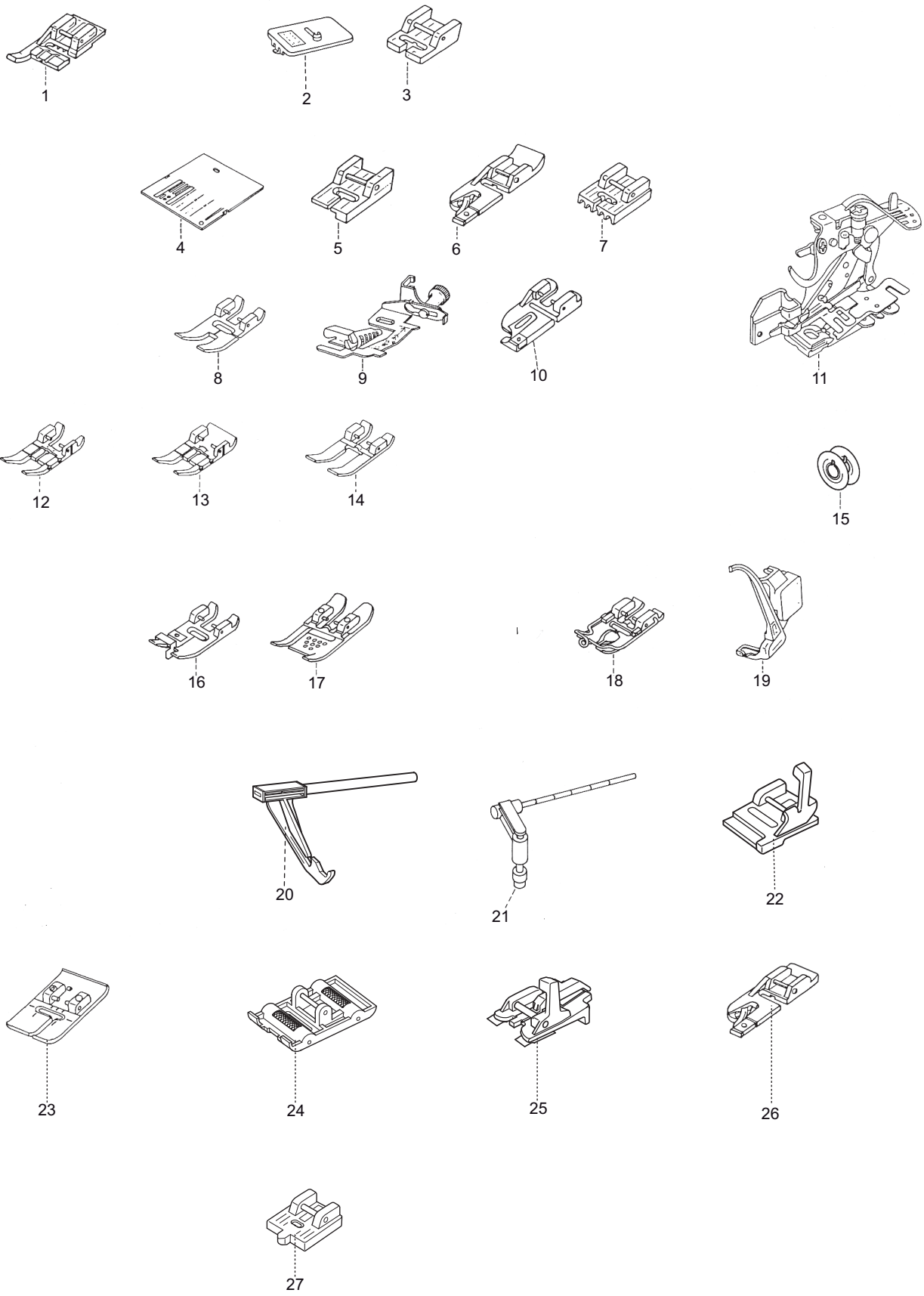
1	820774096	FANCY STITCH FOOT W. IDT
2	820249096	ROLLED HEM FOOT 3MM
3	820248096	ZIPPER FOOT W. IDT
4	820256096	BLINDHEM/OVERLOCK FOOT W. IDT
5	820243096	DARNING FOOT
6	9303306405000	FELT WASHER
7	9303306344000	SPOOL PIN
8	820251096	EDGE GUIDE/QUILTING GUIDE
9	820779096	BOBBINS 10-P PFAFF BLUE
10	9303604844000	THREAD GUIDE WASHER
11	9303604944000	THREAD GUIDE WASHER
12	401555501	BRUSH
13	9303505044000	SPOOL HOLDER
14	412790996	INSTRUCTION CD, PFAFF
15	9303910191000	COVER CPL.

G



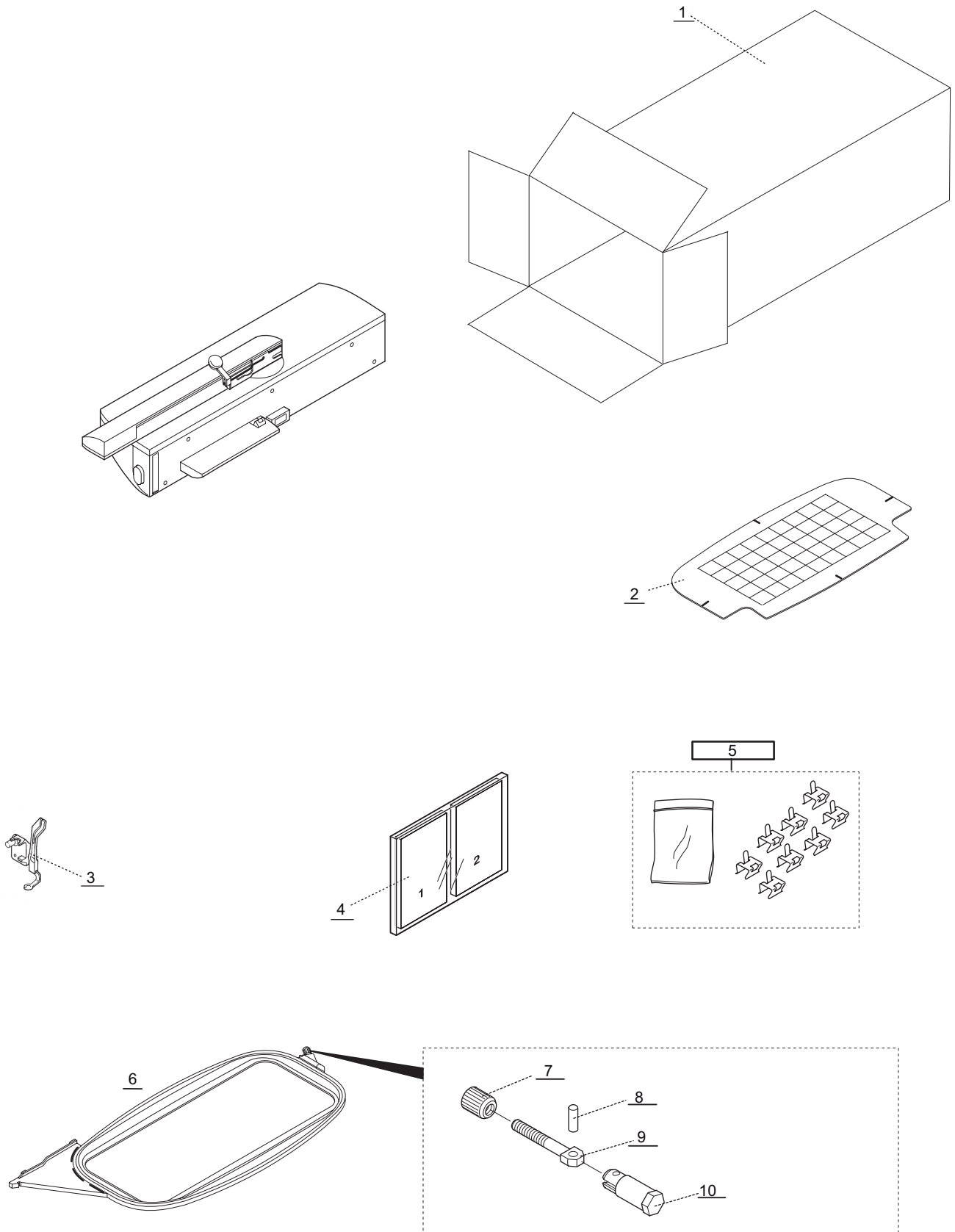
1	9232987591001	MOTOR CPL.
2	9303842391000	MOTOR CPL.
3	9233021391000	MOTOR CABLE
4	9233011191000	ENGINE DOMEL
5	9303910805000	BELT
6	9232987491001	STEP MOTOR
7	9303814905000	SPRING
8	1172217855002	SCREW
9	413226501	FOOT CONTROL PF 21XX,W. WIND
10	9233027591000	FOOT CONTROL CABLE
11	9232246291000	SPRING
12	412158102	NET CABLE AU
	7033277414000	NET CABLE PH 73327-A3-G
	412157801	NET CABLE 220V
	412157903	NET CABLE 120V

H Sonderzubehör, Special accessories, Accessoires spéciaux, Accessori fuori corredo, accesorios especiales



1	820666096	THREE-GROOVE CORDING FOOT CPL.
2	820274096	EYELET PLATE 6MM
	820273096	EYELET PLATE 4MM
3	820214096	APPLIQUE FOOT CPL.
4	820276096	STRAIGHT STITCH NEEDLE PLATE
5	N/S	KNIT EDGE/PIP/BEAD.FOOT CPL.
6	820220096	ROLLED HEM FOOT 2MM CPL.
7	820226096	FIVE-GROOVE CORDING FOOT CPL.
8	820664096	NON-STICK FOOT WITH IDT CPL.
9	820245096	BIAS BINDER
10	820221096	ROLLED HEM FOOT 4MM W. IDT CPL.
11	820255096	RUFFLER ATTACHMENT
12	820926096	1/4 INCH QUILTING FOOT, IDT
13	820212096	1/4 INCH QUILT FOOT CPL.
14	820215096	OPEN TOE APPL.FOOT 6MM CPL.
15	N/S	BOBBIN,METAL 5PCS
16	820609096	NARROW EDGE FOOT CPL.
17	820608096	7/9 HOLE CORD FOOT CPL.
18	820607096	BRAIDING FOOT CPL.
19	820544096	OPEN TOE FREE MOTION FOOT
20	N/S	QUILTING GUIDE
21	N/S	CIRCULAR EMBROIDERY GUIDE
22	820668096	GATHERING FOOT METAL CPL.
23	820777096	NONSTICK DEC. STITCH FOOT CPL.
24	820663096	ROLLER FOOT CPL.
25	820473096	SEW ON BUTTON FOOT
26	820249096	ROLLED HEM FOOT 3MM
27	820474096	INVISIBLE ZIPPER FOOT

Stickaggregat RA 3022, Embroidery Unit RA 3022



1	412699501	BOX
2	9303935105000	TEMPLATE
3	820280096	CREATIVE FANTASY EMBR. FOOT
4	412788702	CREATIVE SMART CARD CPL.
5	412651804	SET OF CLIPS (X8)
6	9303934044000	EMBROIDERY HOOP 225 CPL.
7	9303737044000	NUT FOR CREATIVE FANTASY HOOP
8	1303313605000	PIN 2,5*6-A
9	9303736905000	SCREW
10	9303736805000	HOUSING

PFAFF

© 2011
Copyright VSM Group AB
All rights reserved

Technische Änderungen vorbehalten

Subject to alterations in design

Sous toute réserve de modifications techniques

Salvo modificaciones técnicas

Con riserva di modifiche tecniche

Nr. 104 23 25-96