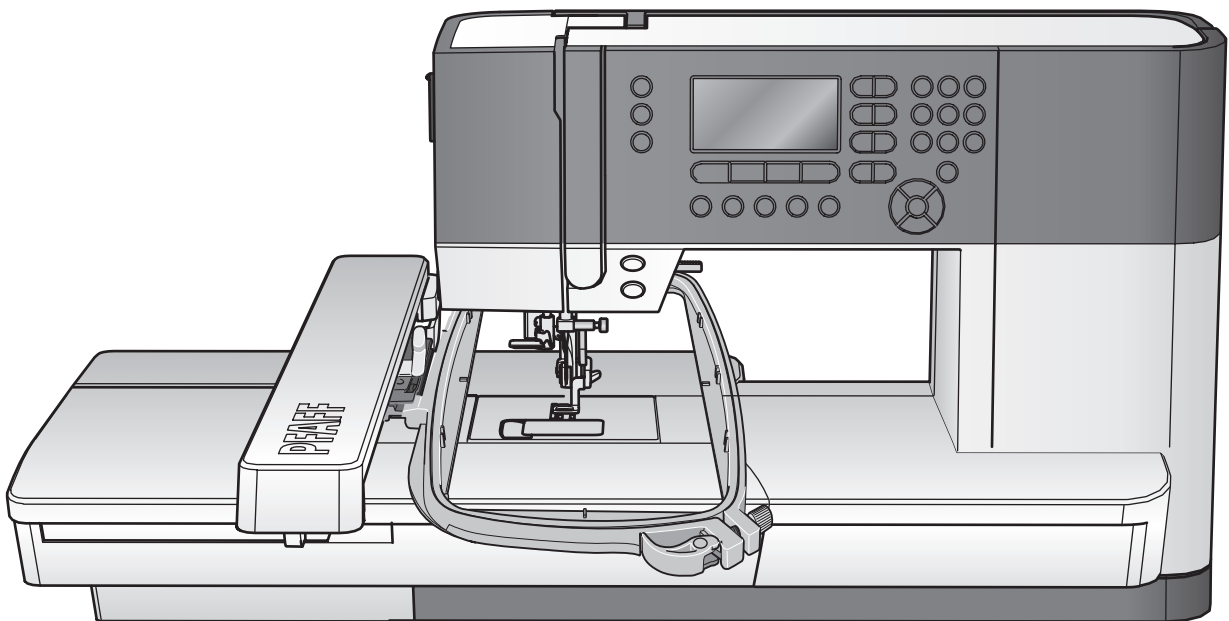


PFAFF®

Creative 1.5

Ersatzteile-Listt
List of spare parts
Liste des pièces détachées
Catalogo pezzi staccati
Lista de piezas de repuesto





Please note that on disposal, this product must be safely recycled in accordance with relevant National legislation relating to electrical/electronic products. If in doubt please contact your retailer for guidance.



Bitte beachten Sie, dass hinsichtlich der Entsorgung dieses Produkts, vorschriftsmäßig entsprechend der gültigen nationalen Gesetzgebung für elektrische/elektronische Produkte, recycelt werden muss. Bei Zweifel setzen Sie sich bitte mit Ihrem Fachhändler in Verbindung.



Veillez noter qu'en cas de destruction, ce produit doit bénéficier d'un recyclage sécurisé, conforme à la législation nationale applicable aux produits électriques/électroniques. En cas de doute, veuillez contacter votre distributeur agréé.

- All casted parts within our products are marked with name of material if allowed by size.
- All molded plastic parts within our products are marked with name of material if allowed by size.

Nicht nummerierte Teile im Katalog werden nicht geliefert.

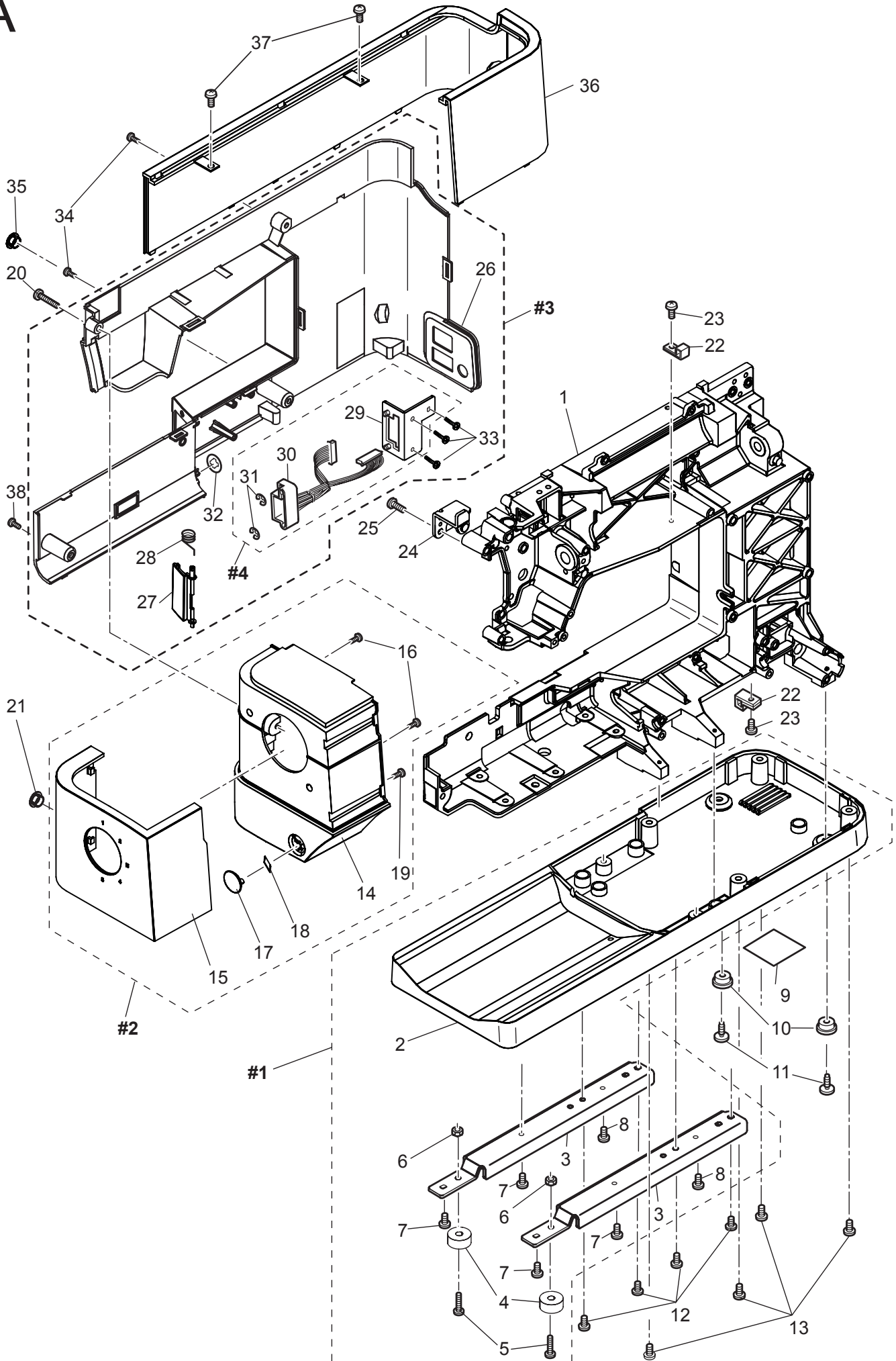
The parts mentioned without number in the parts list are not available.

Les pièces qui ne sont pas numérotées dans la liste de pièces détachées ne peuvent être livrées.

Pezzi non catalogati non sono disponibili.

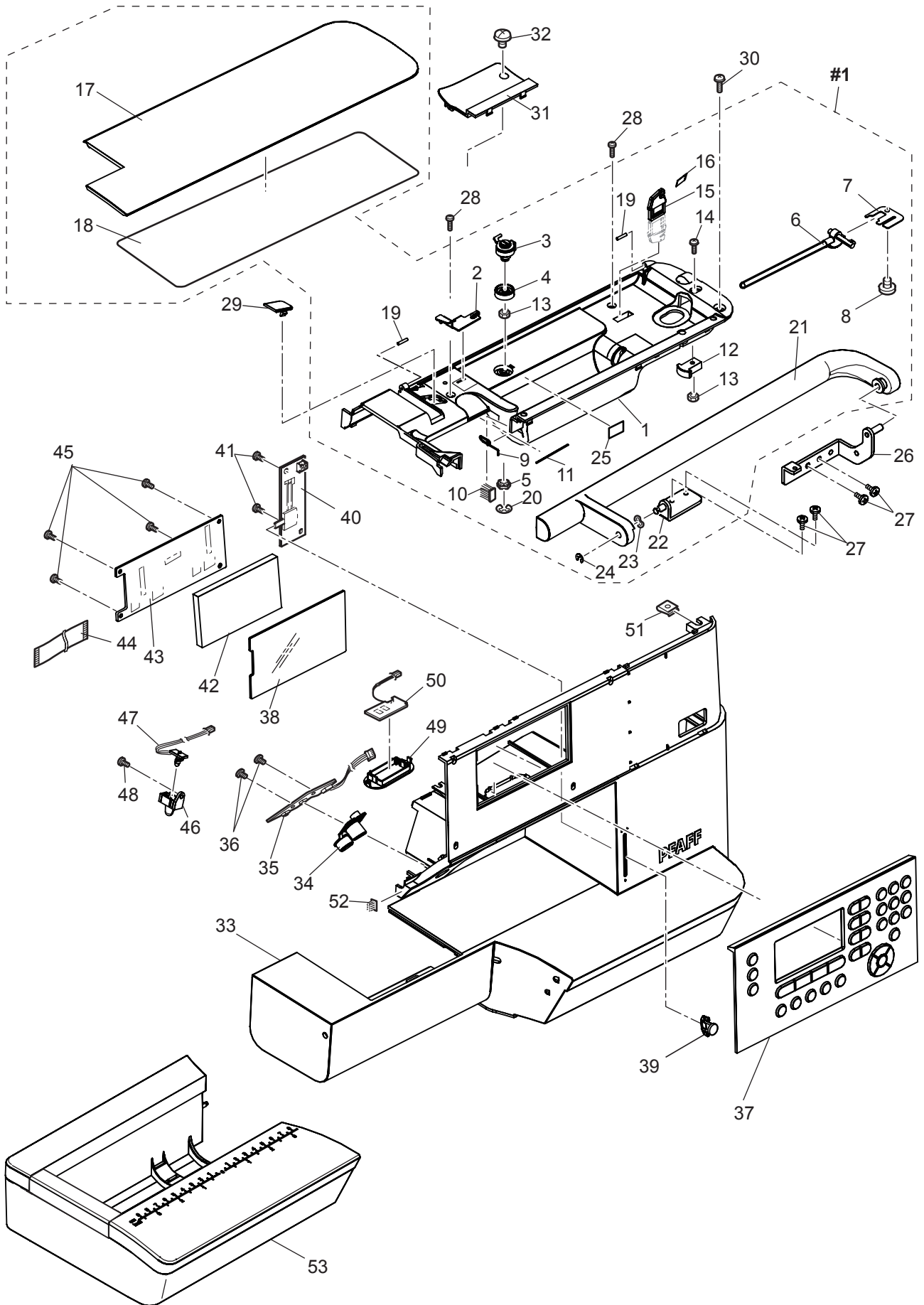
Las piezas de repuesto sin número en esta lista no se entregarán.

A



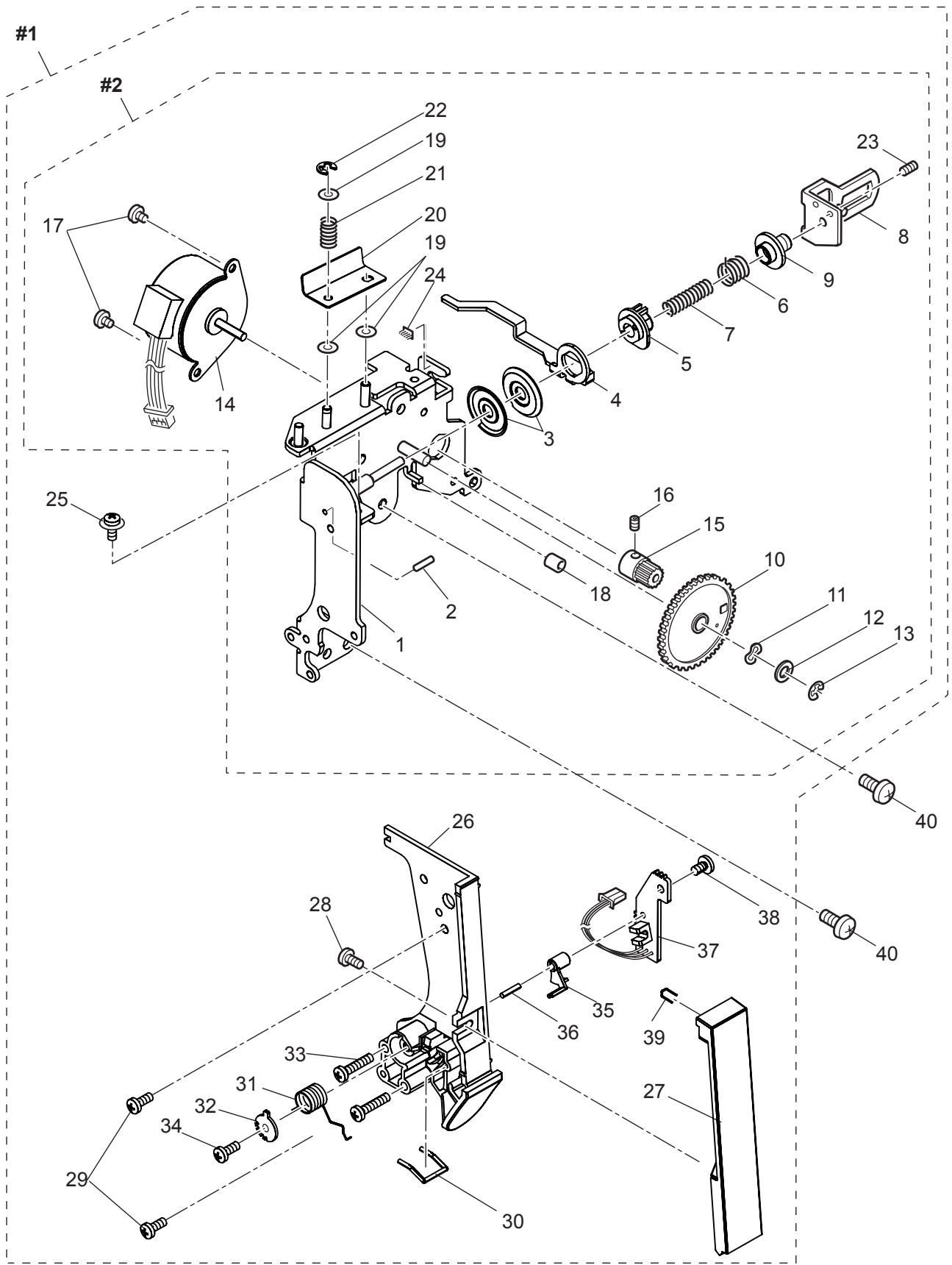
<u>No.</u>	<u>Part No.</u>	<u>Description</u>
#1	68001173	Base Assy.
#2	68001200	Face Plate Assy.
#3	68001232	Rear Cover Assy.
#4	68001240	Embroidery Unit Connector Bracket Unit
17	68001208	Knife Cover
18	412423701	Thread Knife
21	68001227	Screw Cap
27	68001236	Embroidery Unit Connect Lid
28	68001239	Connect Lid Spring
35	68001303	Screw Cap
36	68001306	Front And Rear Cover Panel

B



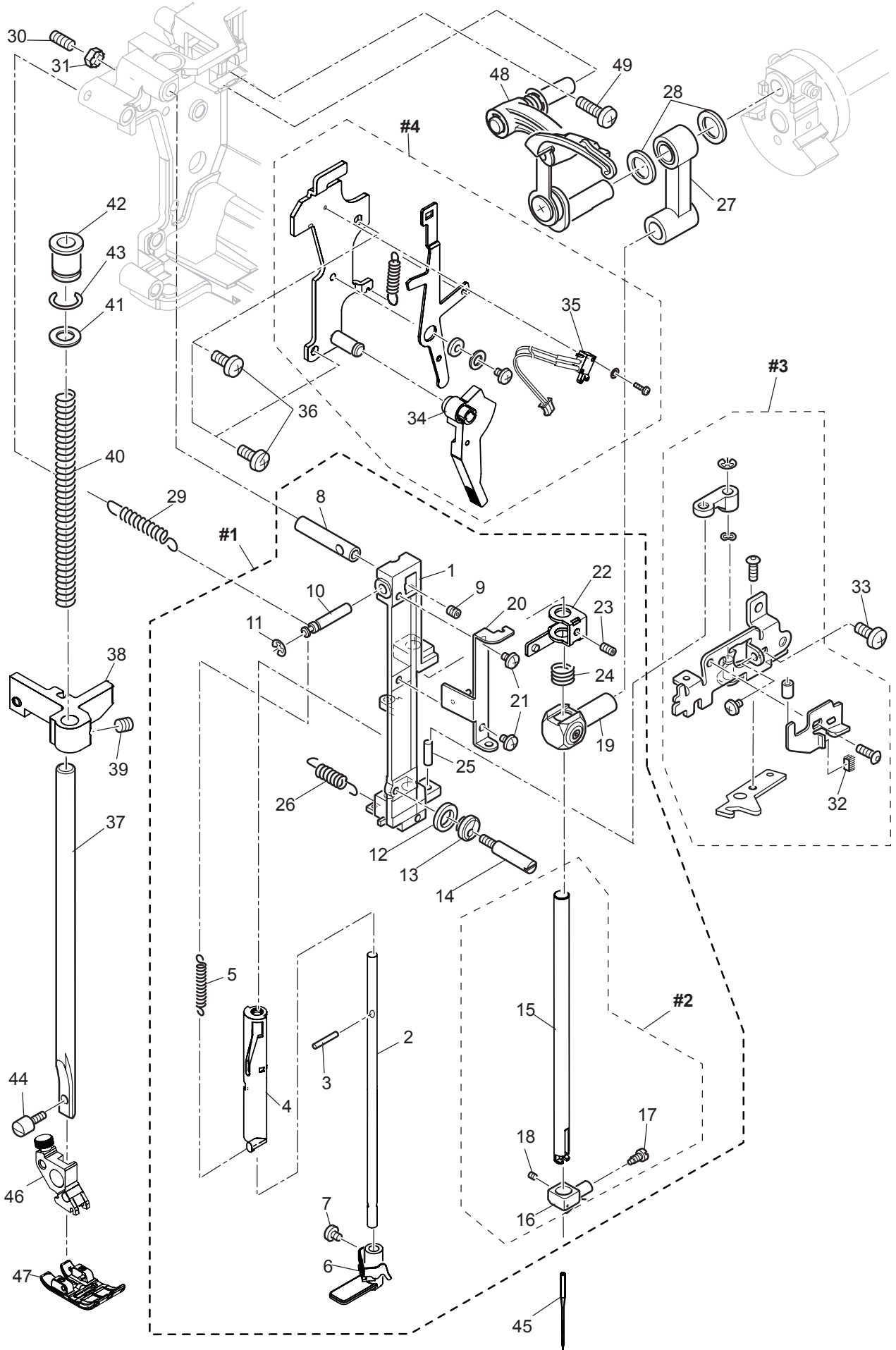
No.	Part No.	Description
#1	68001538	Unit Cover Assy.
2	68001540	Thread Guide
6	68001545	Spool Pin
16	412423701	Thread Knife
17	68001555	Flap
18	68001556	Pattern Chart
21	68001316	Handle
31	68001562	Thread Tension Cover
34	68001566	Start/Reverse Key-top
35	68001567	Switch Board Assy.
37	68001568	Silicon Rubber Key-top Set
38	68001569	LCD Cover
39	68001570	Speed Key-top
40	68001571	Speed Control Board Assy.
42	68001572	L.C.D
43	68001573	Board Assy.
44	68001574	Flat Cable
47	68001576	LED Board Assy.(A)
49	68001577	LED Light Cover (B)
50	68001578	LED Board Assy.(B)
53	68001581	Extension Table

C



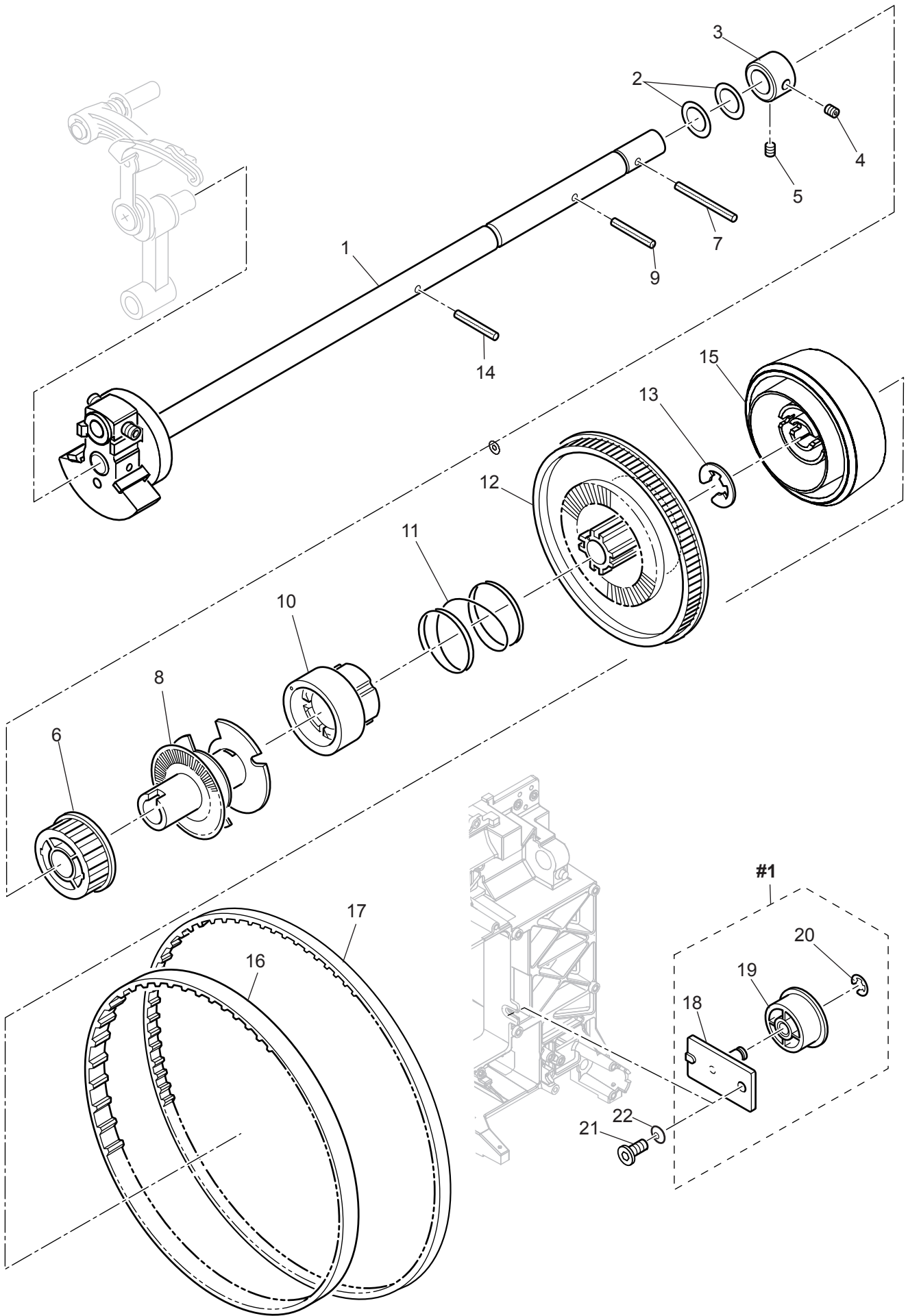
No.	Part No.	Description
#1	68001582	Thread Tension Ragulator Unit
3	68001586	Thread Tension Disc
14	416395901	Tension Release Pulse Motor
31	416396101	Thread Check Spring
37	68001656	Thread Sensor Board Assy.

D



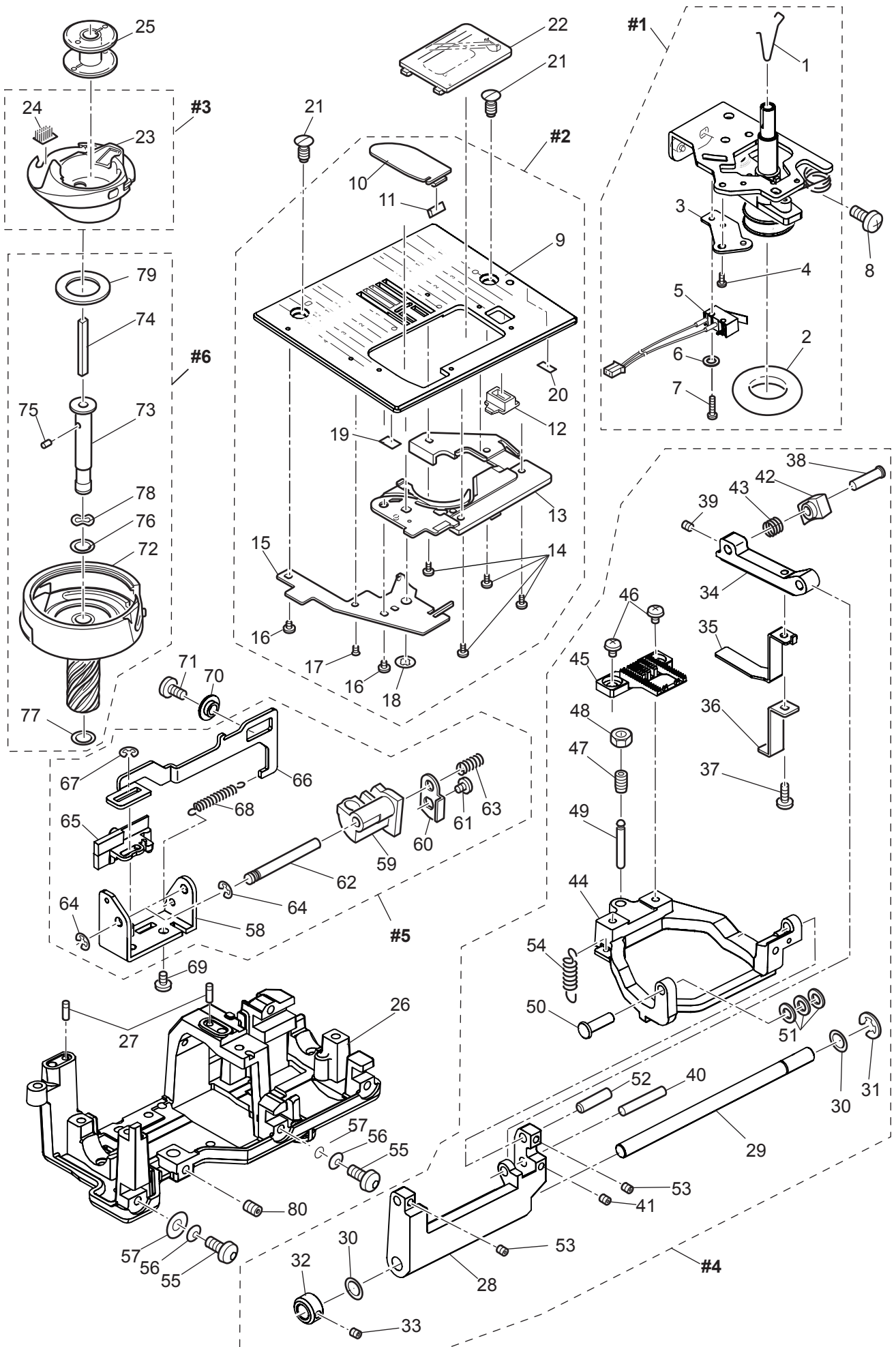
No.	Part No.	Description
#1	68002862	Needle Bar Guide Assy.
#2	68002675	Needle Bar Assy.
#3	68001710	Z Link Bracket Unit
#4	68001723	Presser Foot Lifter Bracket Unit
6	68001677	Threader Hook Assy.
16	68002629	Needle Clamp Assy.
17	68002636	Needle Clamp Screw
27	68001706	Needle Bar Clank Rod Assy.
34	68001725	Presser Foot Lifter
35	68001730	Presser Foot Switch Assy.
37	68001733	Presser Bar
38	68001734	Presser Bar Guide Bracket
42	68001737	Presser Bar Bush
44	68002497	Presser Foot Screw
46	413039201	Presser Foot Holder
47	820773096	Standard Presser Foot W.IDT
48	68001743	Thread Take-Up Lever Assy.

E



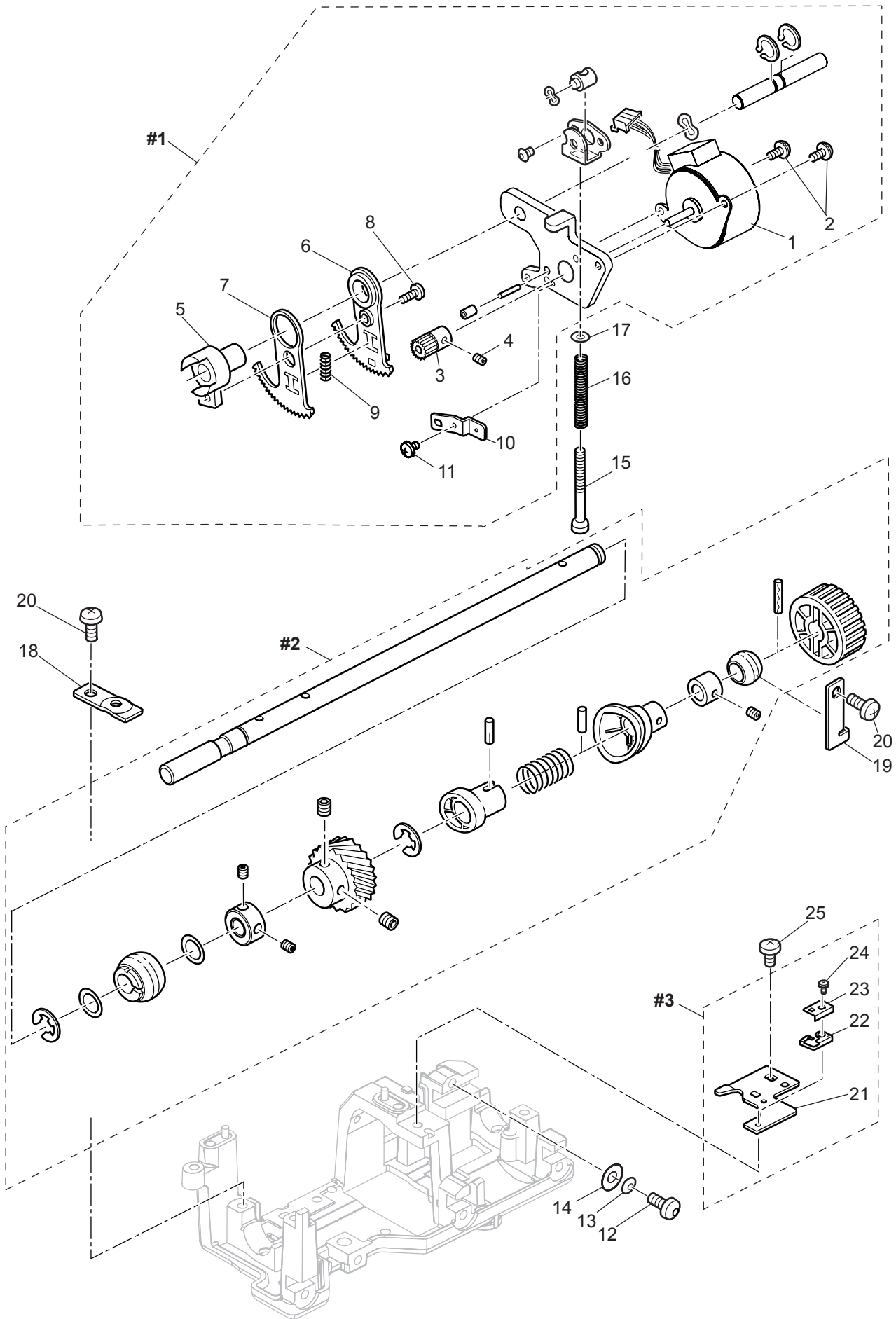
No.	Part No.	Description
#1	68001341	Belt Tension Assy.
1	68000145	Upper Shaft Assy.
6	68001199	Upper Shaft Timing Pulley
7	416400401	Spring Pin
8	68001234	STS Slit
9	68001326	Spring Pin
10	68001328	Clutch Change Collar
11	68001331	Clutch Change Spring
12	68001333	Belt Wheel
14	416400501	Spring Pin
15	68001338	Hand Wheel
16	416400301	Timing Belt (Upper Shaft)
17	68001340	Timing Belt (Motor)

F



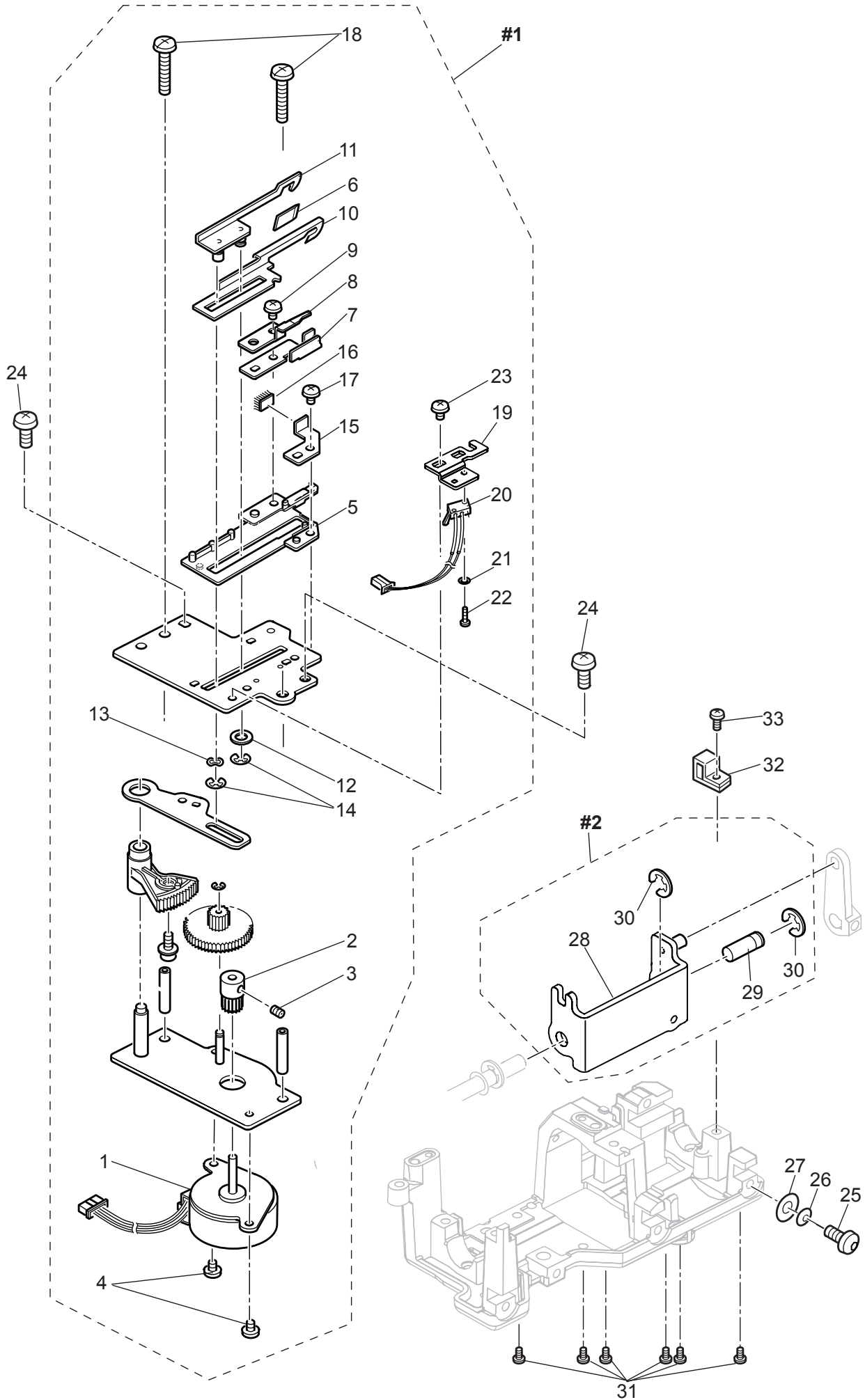
No.	Part No.	Description
#1	68001347	Bobbin Winder Assy. (Incl.1-7)
#2	68001358	Needle Plate Assy.
#3	68002498	Bobbin Holder Unit
#4	68001393	Feed Assy.
#5	68001452	Feed Rocking Assy.
#6	68001467	Hook Race Unit
2	68001351	Rubber Ring
5	68001355	Bobbin Winder Switch Assy.
22	68001385	Bobbin Cover Plate
25	68001389	Bobbin

G



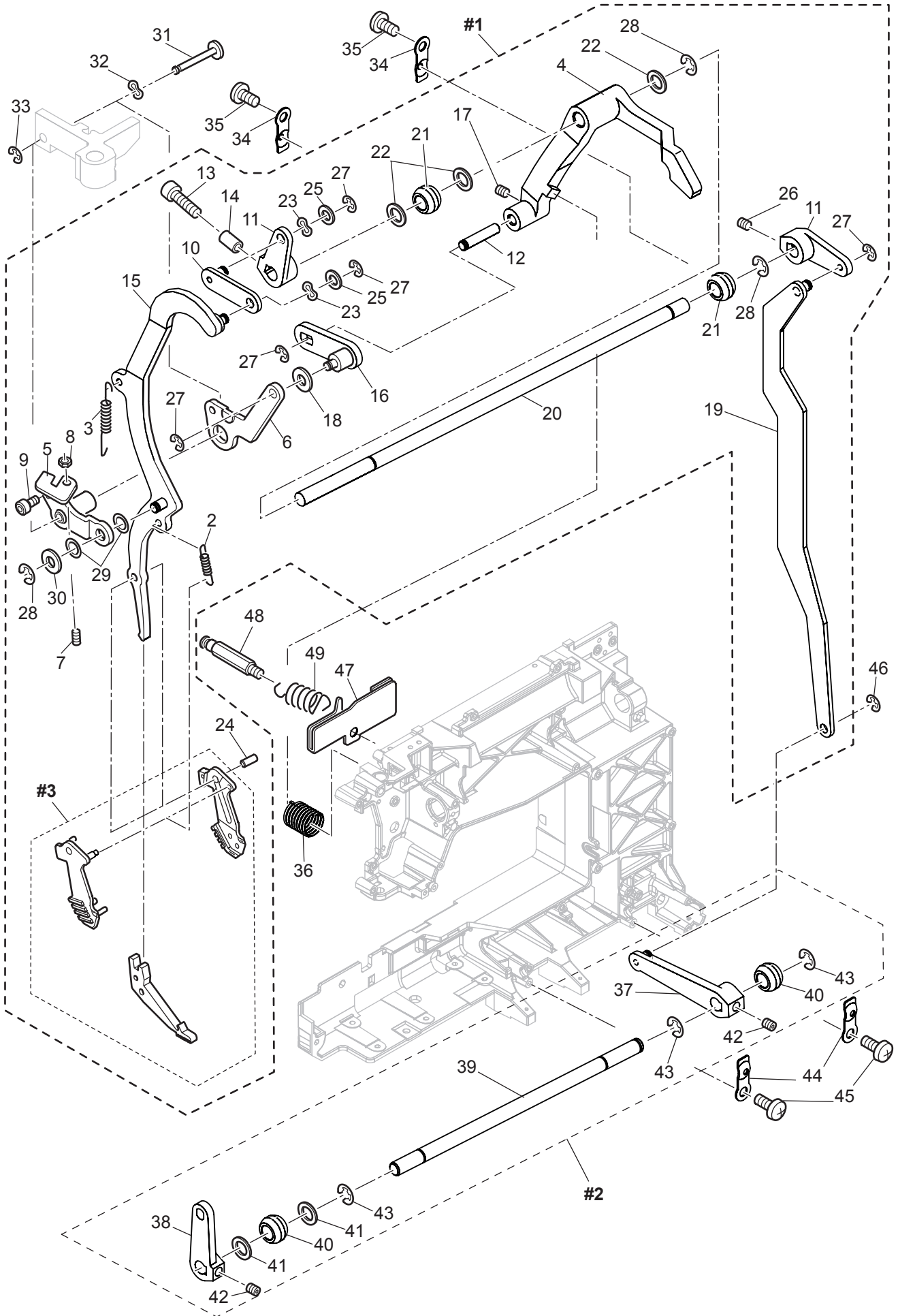
No.	Part No.	Description
#1	68001499	F Pulse Motor Assy.
#2	68001527	Lower Shaft Assy.
#3	68001659	Bobbin Holder Stopper Assy.

H



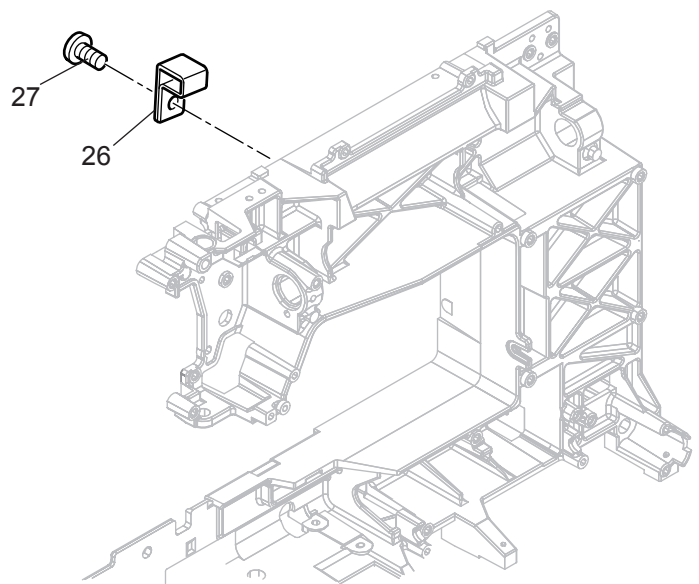
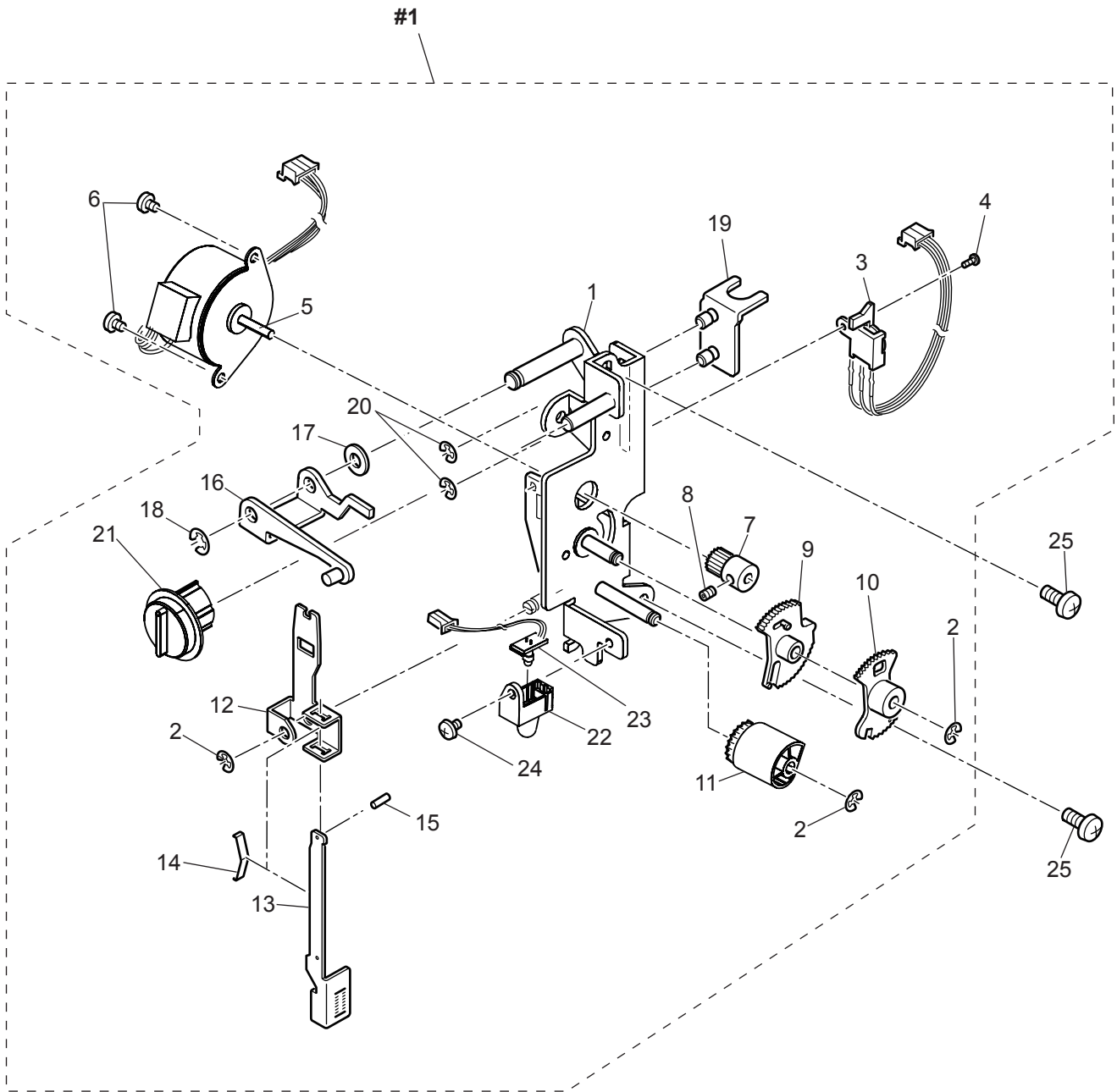
No.	Part No.	Description
#1	68001313	Thread Cutter Assy.
6	412423701	Thread Knife
20	68001411	Thread Cutter Switch Assy.

H



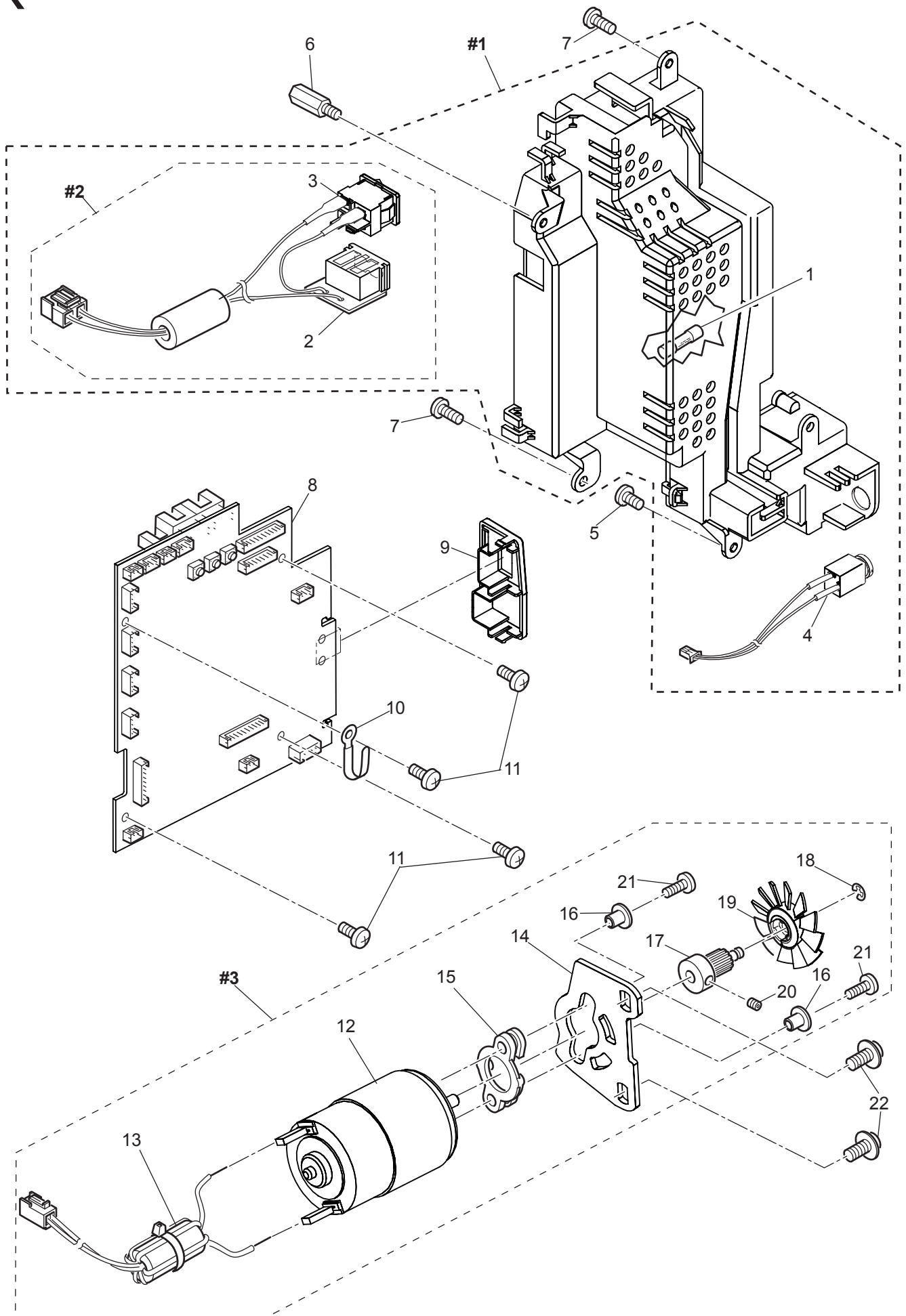
No.	Part No.	Description
#1	68002529	Dual Feed Unit Assy.
#2	68001690	Dual Feed Lower Shaft Assy.
#3	68002530	Dual Feed Dog Assy.
2	68002635	Dual Feed Dog Spring
3	68002612	Dual Feed Cloth Presser Spring

J

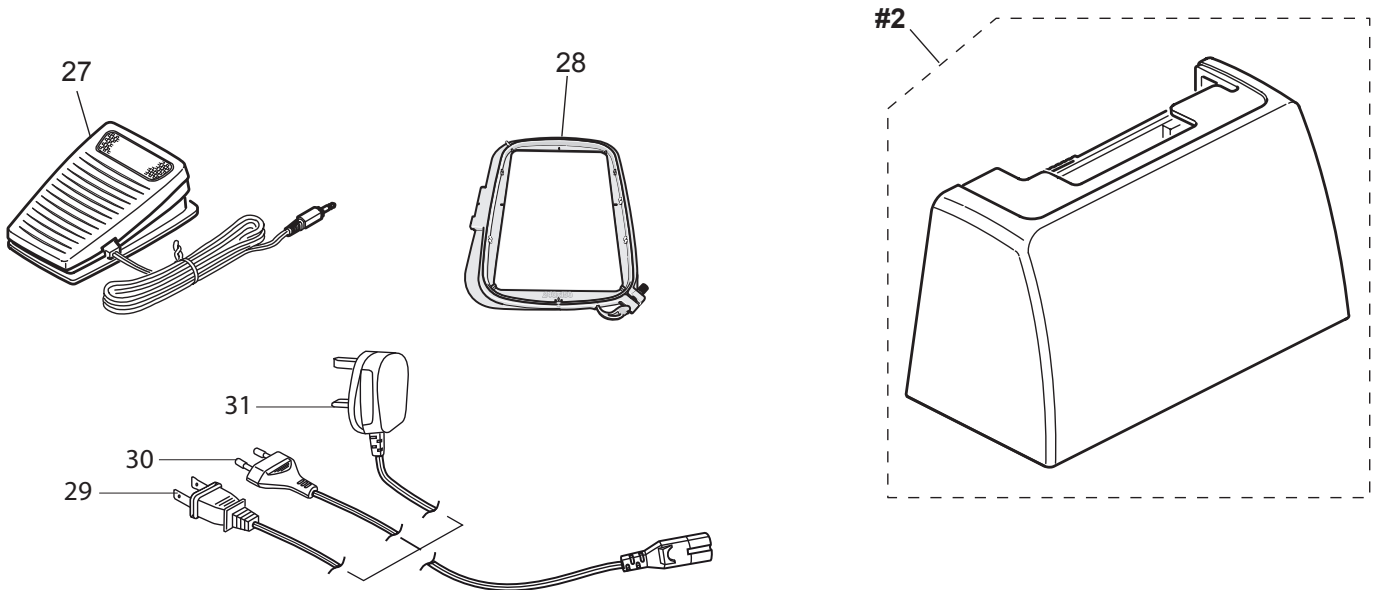
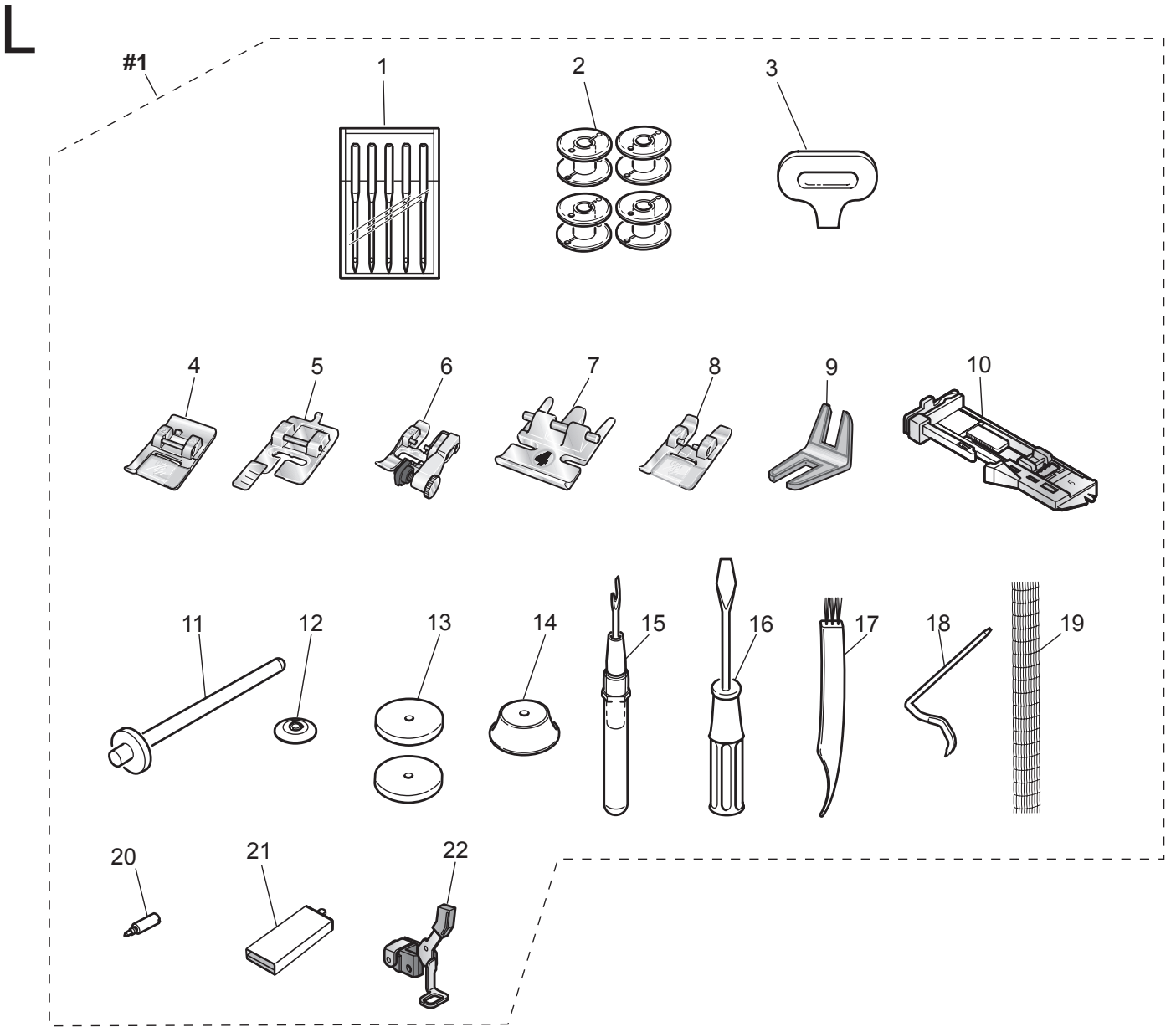


No.	Part No.	Description
#1	68001748	Z Pulse Motor Assy.
3	68001750	BH Switch Assy.
23	68001764	LED Board Assy. (C)

K



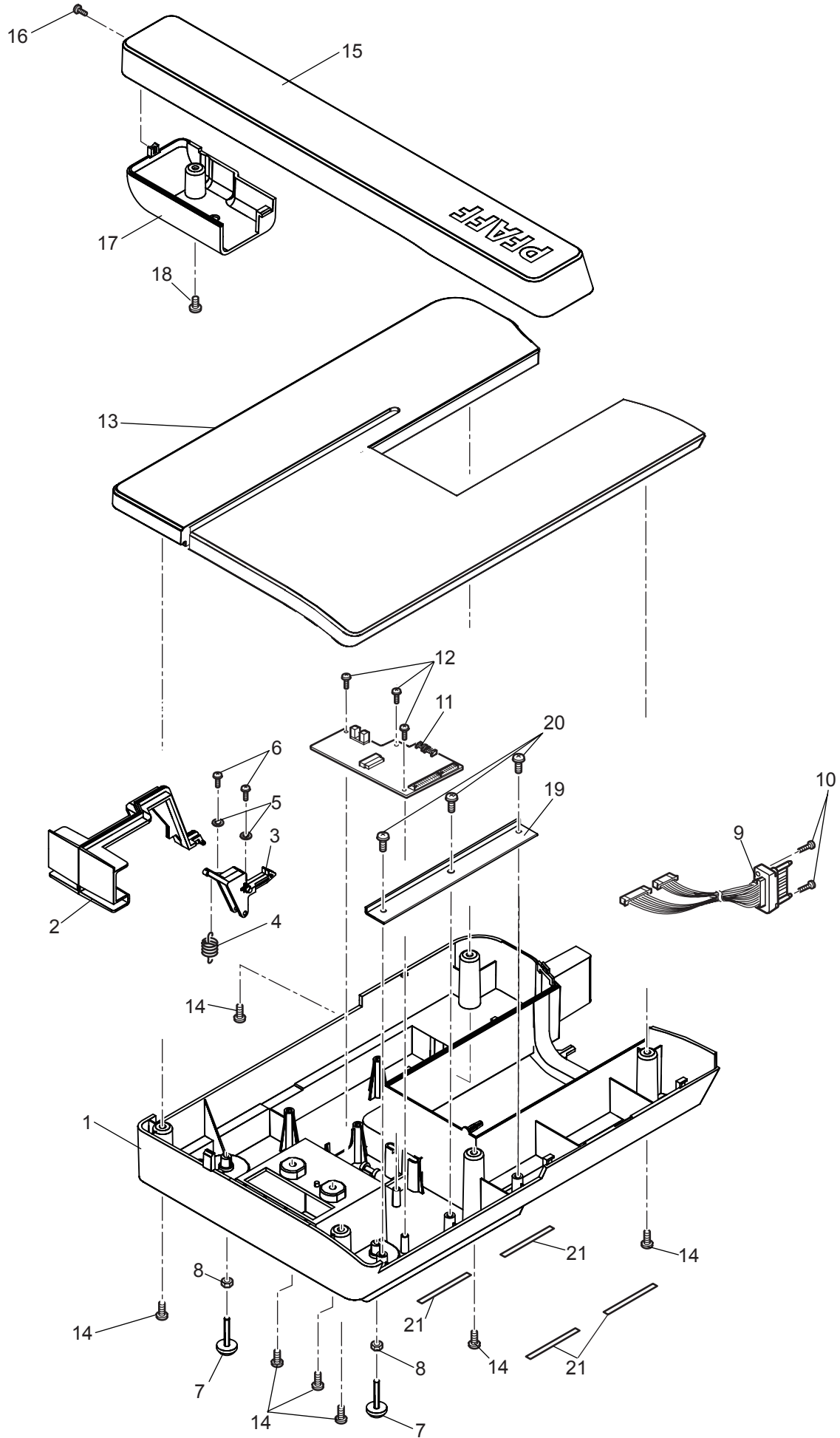
<u>No.</u>	<u>Part No.</u>	<u>Description</u>
#1	68001766	Power Circuit Assy.
#2	68001768	Power Socket Assy.
#3	68001785	Motor Assy.
1	68001767	Fuse
4	68001772	Controller Jack Assy.
8	68001777	CPU Board Assy.
9	68001779	USB Connector Cover



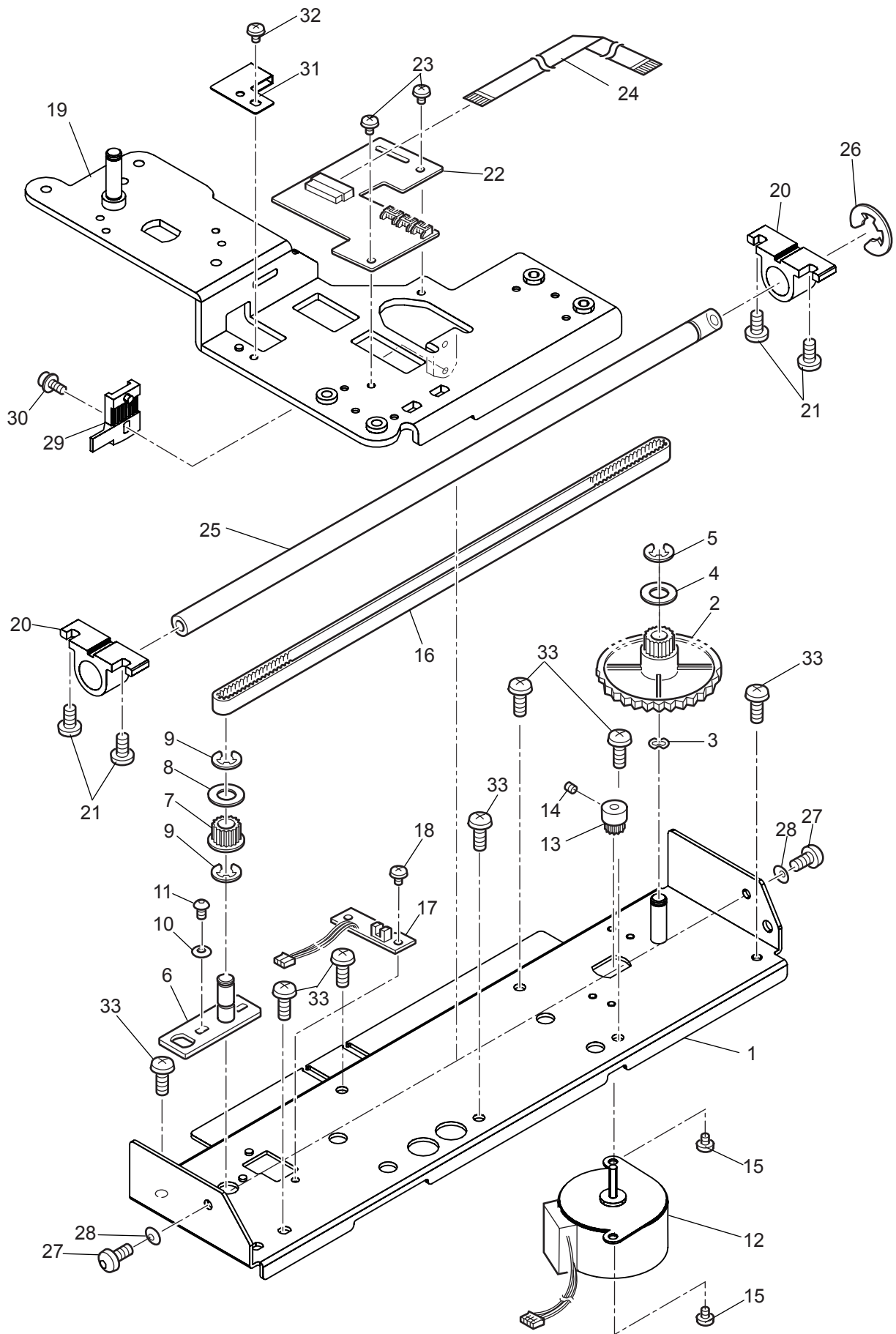
No.	Part No.	Description
#1	68001806	Accessory Kit (Incl.1-20)
#2	68001835	Dust Cover Unit
1	620098796	Needle Set
2	68001389	Bobbin
3	68001808	Screw Driver for Needle Plate
4	413060501	Fancy Stitch Foot 2A
5	413005502	Manual BH Foot 5M
6	820256096	Blindstich Foot W.IDT
7	820248096	Zipper Presser Foot W.IDT
8	413059801	Fancy Stitch Foot 1A
9	413105601	Multi-Purpose Tool
10	68002863	One Step BH Foot 5
11	68001820	Auxiliary Spool Pin
12	68001821	Small Thread Cap
13	412610701	Felt
14	68001559	Thread Cap
15	68001822	Stitch Ripper
16	68001823	Screw Driver
17	68001824	Brush
18	68001825	Edge Guide
19	68001826	Spool Net
20	68002630	Needle Clamp Screw (Long)
21	413095708	USB Memory Stick
22	68001828	Embroidery Sewing Foot
27	68001834	Controller
28	412968502	Hoop 150*240 (Assy.)
28	412968202	Embroidery hoop 120 x 120mm
29	412157903	Net Cable 120V
30	412157801	Net Cable 220V (EU)
31	412158002	Net Cable (GB)



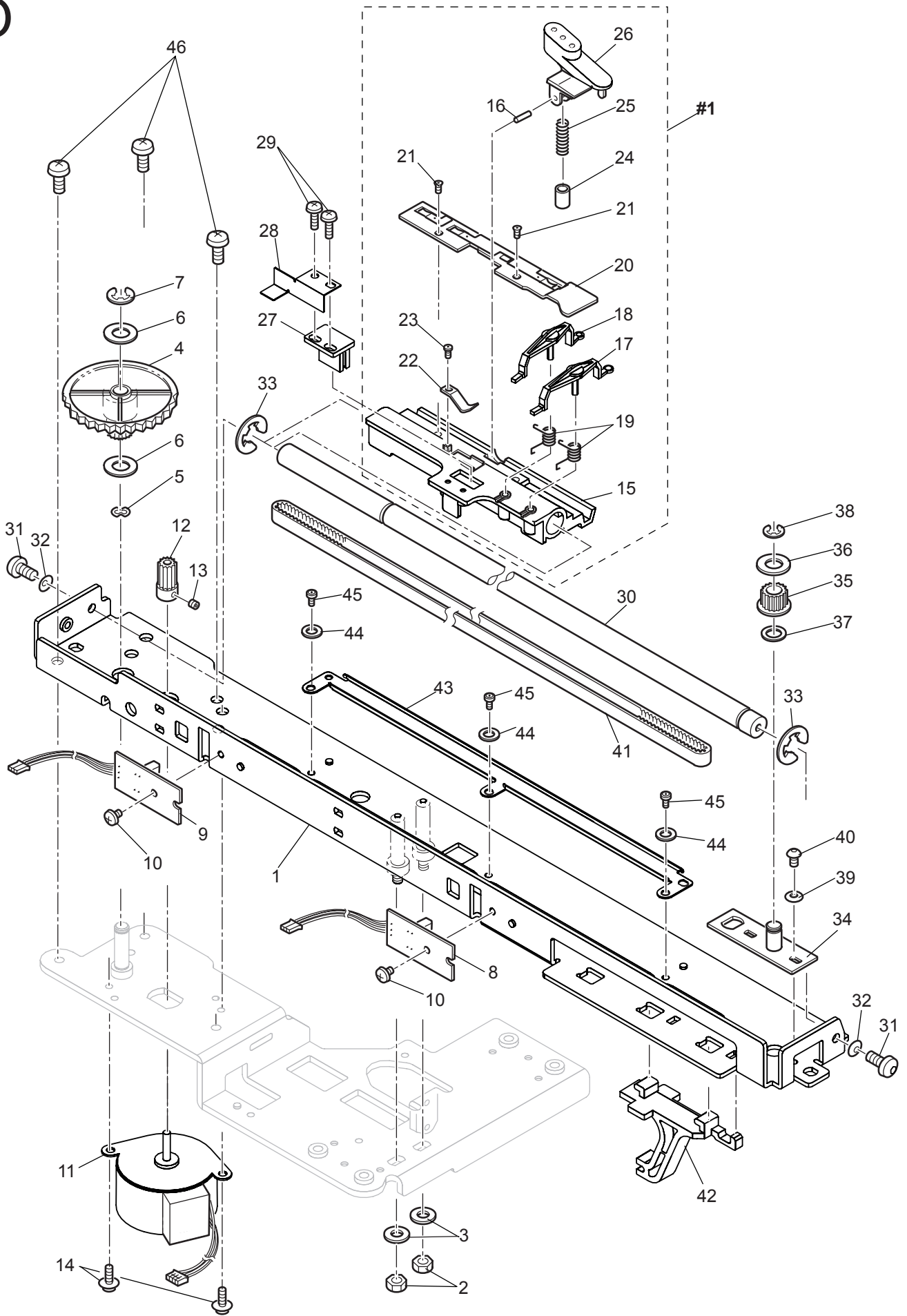
M



No.	Part No.	Description
1	68001836	X Base Cover
2	68001837	Release Lever
3	68001839	Release Lever Hook
4	68001840	Release Lever Spring
7	68001842	Rubber Foot Adjuster
8	416786801	Nut
9	68001843	Embroidery Unit Connect Assy.
11	68001845	Board (2) Assy.
13	68001846	X Top Cover w/cloth
15	68001848	Y Carriage Cover A
17	68001850	Y Carriage Cover B
19	68001853	Y Carriage Guide Plate



No.	Part No.	Description
1	68001854	X Carriage Base Assy.
2	68001855	Drive Pulley
6	68001858	Tension Pulley Bracket Assy.
7	68001859	Tension Pulley
12	68001863	X Pulse Motor
13	68001864	Pulse Motor Gear
16	68001865	X Timing Belt
17	68001866	X Sensor Board Assy.
19	68001868	X Carrier Assy.
20	68001869	X Guide Shaft Follower
22	68001870	Board (1) Assy.
24	68001871	Flexible Flat Cable
25	68001872	X Guide Shaft
29	68001875	X Belt Holder
31	68001878	X Harnes Holder





No.	Part No.	Description
#1	413026701	Y Carrier Assy.
1	68001221	Y Carriage Base Assy.
2	416786801	Nut
4	68001855	Drive Pulley
8	68001309	Hoop Sensor Board Assy.
9	68001427	Y Sensor Board Assy.
11	68001428	Y Pulse Motor
12	68001431	Pulse Motor Gear
27	68001788	Y Belt Holder
28	68001791	Y Carrier Shield Plate
30	68001792	Y Guide Shaft
34	68001794	Y Tension Pulley Bracket Assy.
35	68001859	Tension Pulley
41	68001797	Y Timing Belt
42	68001798	Y Carriage Guide
43	68001799	Y Carrier Guide